

Commercial High Efficient 5 Ton Direct Drive Package Gas Units

DTG0600901DAXFAA
DTG0600901DHXXAA
DTG0600901DVDXAA
DTG0600901DVXFAA
DTG0600901DXSXAA
DTG0600901DXXAAA
DTG0600901DXXXAA
DTG0600903DAKXAA
DTG0600903DHKCAA
DTG0600903DHXXAA
DTG0600903DVXHAA
DTG0600903DXXXAA
DTG0601401DHXCAA
DTG0601401DVXUAA
DTG0601401DVXXAA
DTG0601401DXSXAA
DTG0601401DXXXAA
DTG0601403DHXAAA
DTG0601403DHXXAA
DTG0601403DJXGAA
DTG0601403DWXGAA
DTG0601403DXXXAA



This manual is to be used by qualified technicians only.

This manual replaces RP-D1080H.

Important Information

Index

Functional Parts List	3
Illustration and Parts	4 - 15

Views shown are for parts illustrations only, not servicing procedures.

Text Codes:

AR - As Required

NA - Not Available

NS - Not Shown

00000000 - See Note

QTY - Quantity Example (QTY 3) (If Quantity not shown, Quantity = 1)

M - Model Example (M1) (If M Code not shown, then part is used on all Models)

Expanded Model Nomenclature:

Example
M1 - Model#1
M2 - Model#2
M3 - Model#3

Daikin Company, L.P. is not responsible for personal injury or property damage resulting from improper service. Review all service information before beginning repairs.

Warranty service must be performed by an authorized technician, using authorized factory parts. If service is required after the warranty expires, Daikin Company, L.P. also recommends contacting an authorized technician and using authorized factory parts.

Daikin Company, L.P. reserves the right to discontinue, or change at any time, specifications or designs without notice or without incurring obligations.

For assistance within the U.S.A. contact:

Equipment Support
Daikin North America, LLC
19001 Kermier Road
Waller, Texas 77484
855-770-5678-Telephone
713-863-2382-Facsimile

For assistance outside the U.S.A. contact:

International Division
Daikin North America, LLC
19001 Kermier Road
Waller, Texas 77484
713-861-2500-Telephone
713-863-2382-Facsimile

Functional Parts

Part

No: Description:

Part No:	Description:	Expanded Model Nomenclature
0130M00025	24V RELAY (M1, M2, M3, M4, M5, M6, M7, M13, M14, M15, M16, M17)	M1 - DTG0600901DAXFAA
20269903	AUXILIARY LIMIT, AUTO RESET (M1, M2, M3, M4, M5, M6, M7, M8, M9, M10, M11, M12, M13, M14, M15, M16, M17)	M2 - DTG0600901DHXXAA
0163F00017	BECKETT BURNER (M1, M2, M3, M4, M5, M6, M7, M9, M13, M14, M15, M16, M17)	M3 - DTG0600901DVDXAA
10735102	BECKETT BURNER (M8, M10, M11, M12, M18, M19, M20, M21, M22)	M4 - DTG0600901DVXFAA
B1368000	BLOWER WHEEL 11 X 10	M5 - DTG0600901DXSXAA
CAP100700440CT	CAP, 10/70 MFD/ 440V/ DUAL RD (M1, M2, M3, M4, M5, M6, M7, M13, M14, M15, M16, M17)	M6 - DTG0600901DXXAAA
CAP100000370LA	CAPACITOR 10/370V (M8, M9, M10, M11, M12, M18, M19, M20, M21, M22)	M7 - DTG0600901DXXXAA
ZP49K5ETF5130	COMP, 49000/208/230/60/3 (M8, M9, M10, M11, M12, M18, M19, M20, M21, M22)	M8 - DTG0600903DAKXAA
ZP49K5EPFV130	COMP, 49400, 208/230/60/1 (M1, M2, M3, M4, M5, M6, M7, M13, M14, M15, M16, M17)	M9 - DTG0600903DHKCAA
0131M00430	COND MOTOR 1/3 HP, 1 SP, 6 PL (M1, M2, M3, M5, M6, M7, M8, M10, M11, M12, M13, M15, M16, M17, M18, M19, M20, M21, M22)	M10 - DTG0600903DHXXAA
CONT3P030024V	CONTACTOR 30 AMP, 3P, 24V (M8, M9, M10, M11, M12, M18, M19, M20, M21, M22)	M11 - DTG0600903DVXHAA
CONT2P040024V	CONTACTOR 40 AMP, 2P, 24V (M1, M2, M3, M4, M5, M6, M7, M13, M14, M15, M16, M17)	M12 - DTG0600903DXXXAA
0130M00074	CUT-OUT SWITCH, HIGH PRESSURE	M13 - DTG0601401DHXCAA
0130M00087	CUT-OUT SWITCH, LOW PRESSURE	M14 - DTG0601401DVXUAA
B1086765	FAN BLADE TYPE 3	M15 - DTG0601401DVXXAA
0130F00010	FLAME SENSOR	M16 - DTG0601401DXSXAA
0151F00000P	GAS VALVE	M17 - DTG0601401DXXXAA
PCBAG123	IGNITION BOARD, DSI INTEGRATED	M18 - DTG0601403DHXAAA
20261709	IGNITOR	M19 - DTG0601403DHXXAA
0130F00105	LIMIT SWITCH (M1, M2, M3, M4, M5, M6, M7, M9, M13, M14, M15, M16, M17)	M20 - DTG0601403DJXGAA
10123532	LIMIT-RESET MAN-GRAY	M21 - DTG0601403DWXGAA
0131L00064	Motor, Cond, 1/3 HP, 208/230V (M4, M9, M14)	M22 - DTG0601403DXXXAA
11112501	PRESSURE SWITCH	
0130M00063	PRIMARY LIMIT, 140 (M8, M10, M11, M12)	
0130F00035	PRIMARY LIMIT, 220, PURPLE (M18, M19, M20, M21, M22)	
20162905	PRIMARY LIMIT-YELLOW (M18, M19, M20, M21, M22)	
0130M00038	TERMINAL BOARD (M1, M2, M3, M4, M5, M6, M7, M13, M14, M15, M16, M17)	
0130M00138	TRANSFORMER 208/230, 24V (M1, M2, M3, M4, M5, M6, M7, M13, M14, M15, M16, M17)	

Top Panel and Tubing Assembly

IMAGE 1

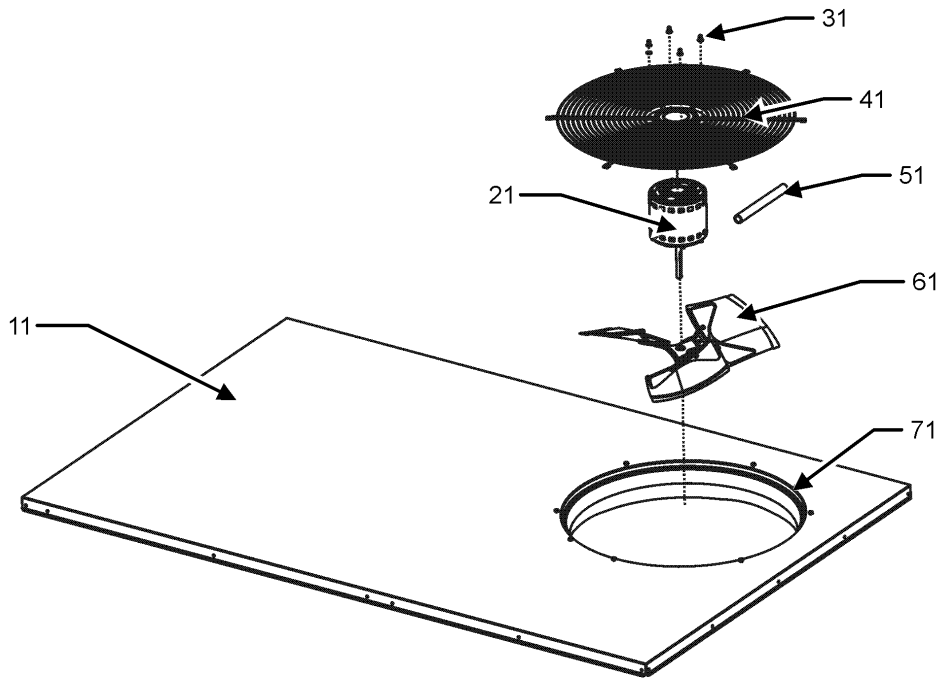
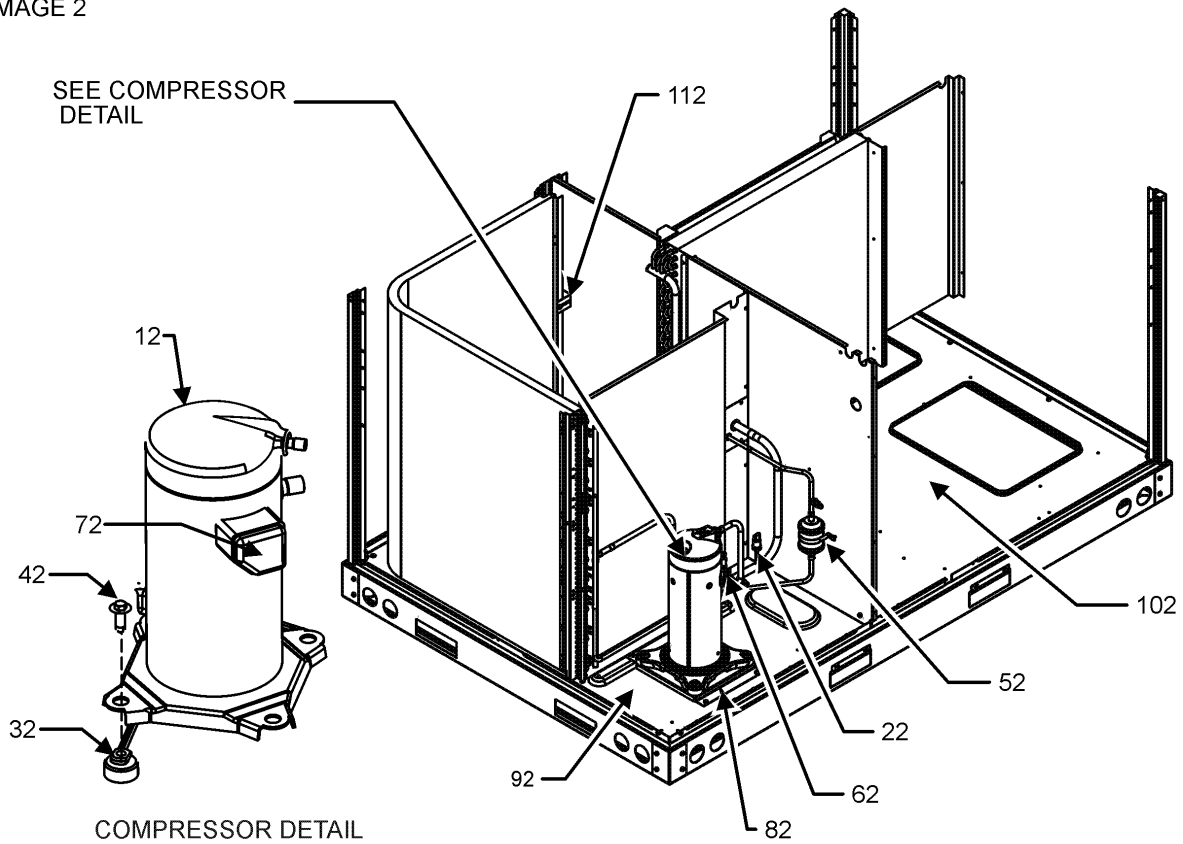


IMAGE 2



Top Panel and Tubing Assembly

Ref. Part No:	No:	Description:	Ref. Part No:	No:	Description:
Image 1:			Expanded Model Nomenclature		
11	0121L00235NG	TOP PANEL	M1	-	DTG0600901DAXFAA
21	0131M00430	COND MOTOR 1/3 HP, 1 SP, 6 PL (M1, M2, M3, M5, M6, M7, M8, M10, M11, M12, M13, M15, M16, M17, M18, M19, M20, M21, M22)	M2	-	DTG0600901DHXXAA
21	0131L00064	Motor, Cond, 1/3 HP, 208/230V (M4, M9, M14)	M3	-	DTG0600901DVDXAA
31	0163M00006P	ACORN NUT 5/16 HEX BLACK (QTY 4)	M4	-	DTG0600901DVXFAA
41	0152G00003	FAN GRILLE (M1, M2, M3, M5, M6, M7, M8, M10, M11, M12, M13, M14, M15, M16, M17, M18, M19, M20, M21, M22)	M5	-	DTG0600901DXSXAA
41	0152G00000	FAN GRILLE, RAISED (M4, M9, M14)	M6	-	DTG0600901DXXAAA
51	17788000083F	PVC CONDUIT 8.25"	M7	-	DTG0600901DXXXAA
61	B1086765	FAN BLADE TYPE 3	M8	-	DTG0600903DAKXAA
71	0161L00000	VENTURI RING 22"	M9	-	DTG0600903DHKCAA
NS	0163M00004	SCREW #10X3/4", BLACK (M1, M2, M3, M4, M5, M6, M7, M13, M14, M15, M16, M17)	M10	-	DTG0600903DHXXAA
NS	0163M00005P	WASHER, BLACK (.50 OD .218ID) (QTY 4)	M11	-	DTG0600903DVXHAA
Image 2:			M12	-	DTG0600903DXXXAA
12	ZP49K5ETF5130	COMP, 49000/208/230/60/3 (M8, M9, M10, M11, M12, M18, M19, M20, M21, M22)	M13	-	DTG0601401DHXCAA
12	ZP49K5EPFV130	COMP, 49400, 208/230/60/1 (M1, M2, M3, M4, M5, M6, M7, M13, M14, M15, M16, M17)	M14	-	DTG0601401DVXUAA
22	0130M00087	CUT-OUT SWITCH, LOW PRESSURE	M15	-	DTG0601401DVXXAA
32	B1339533	COMPRESSOR GROMMET (QTY 4)	M16	-	DTG0601401DXSXAA
42	M0221641	TF SHOULDER SCREW (QTY 4)	M17	-	DTG0601401DXXXAA
52	20485201	BI-FLOW FILTER DRIER	M18	-	DTG0601403DHXAAA
62	0130M00074	CUT-OUT SWITCH, HIGH PRESSURE	M19	-	DTG0601403DHXXAA
72	0159L00027	COMPRESSOR SCROLL HARNESS (M1, M2, M3, M4, M5, M6, M7, M13, M14, M15, M16, M17)	M20	-	DTG0601403DJXGAA
72	0159L00065	COMPRESSOR SCROLL HARNESS (M8, M9, M10, M11, M12, M18, M19, M20, M21, M22)	M21	-	DTG0601403DWXGAA
82	0121L00310	COMPRESSOR MOUNTING PLATE	M22	-	DTG0601403DXXXAA
92	0121L01990	BASE PAN, OUTDOOR			
102	0121L02619	BASE PAN, INDOOR			
112	0121L00936	BRACKET-HAIRPIN END			
NS	B1373315	ACCESS FITTING (QTY 2)			
NS	0141L00003X	FORK BOARD (QTY 2)			
NS	0121L00055	FORK BOARD BRACKET (QTY 4)			

Cabinet Assembly

IMAGE 1

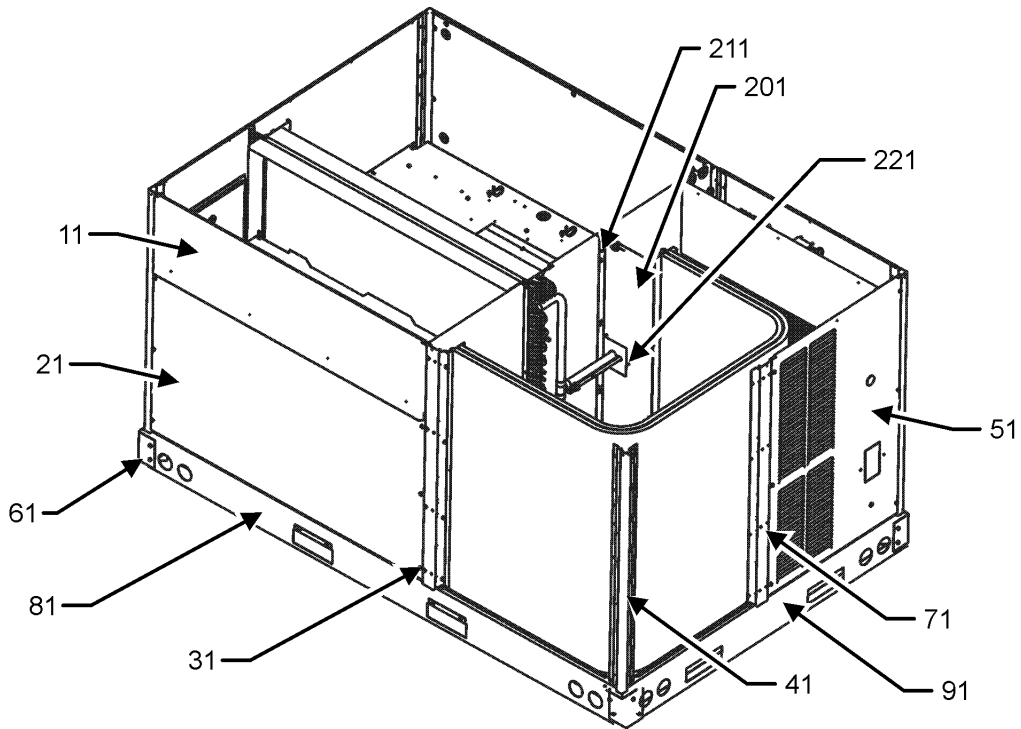
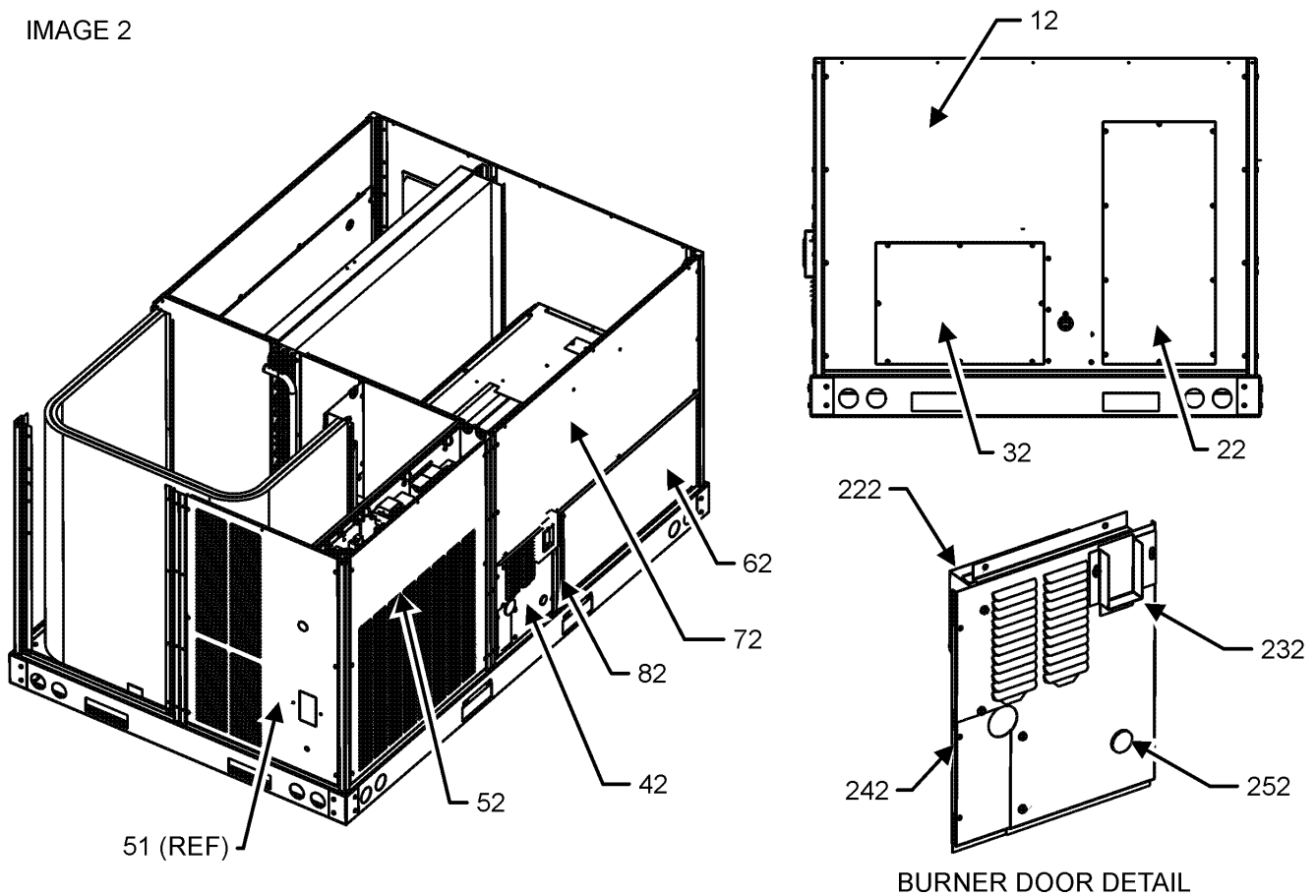


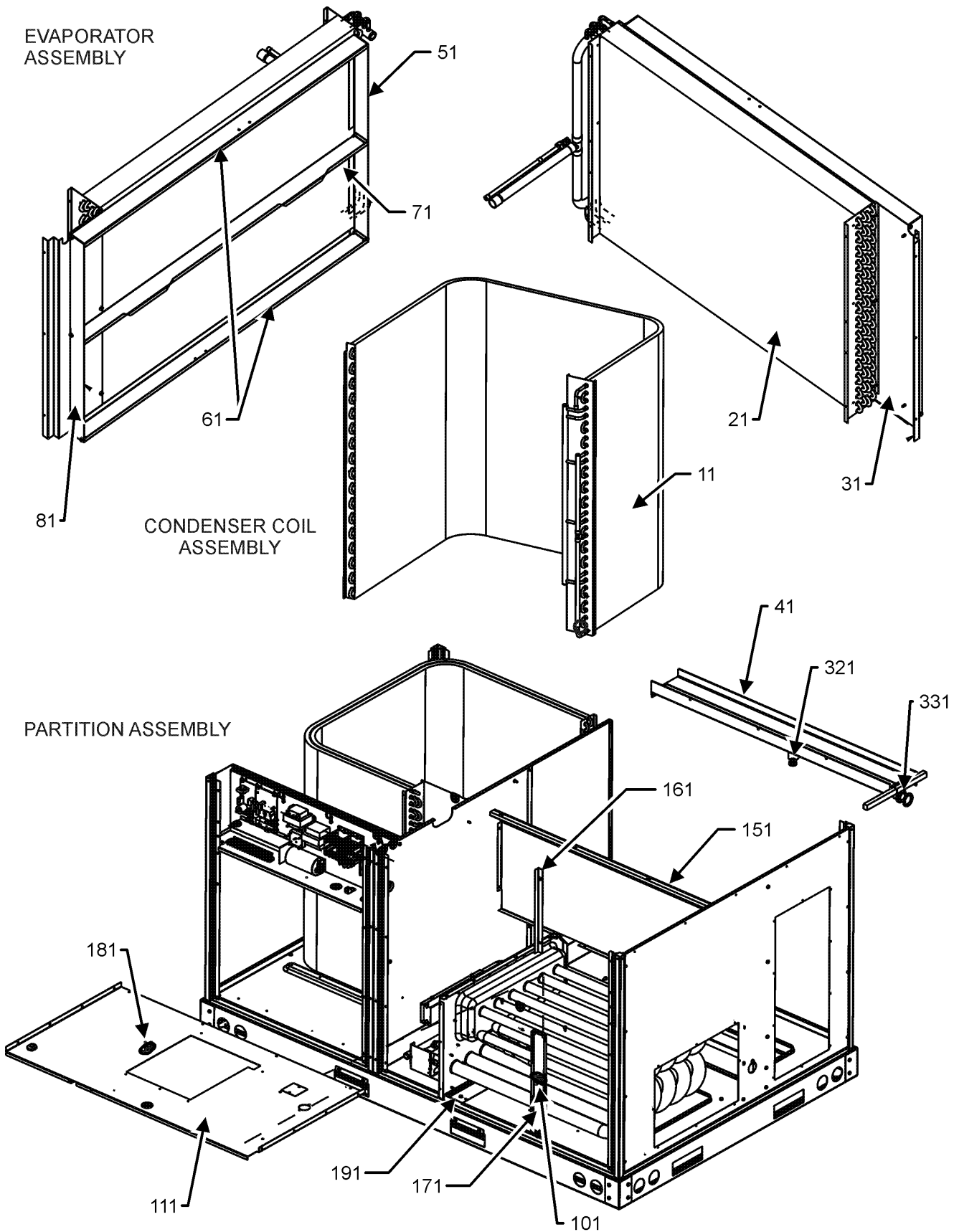
IMAGE 2



Cabinet Assembly

Ref. Part No:	No:	Description:	Ref. Part No:	No:	Description:
Image 1:			Expanded Model Nomenclature		
11	0270L00363NG	FILTER DOOR	M1	-	DTG0600901DAXFAA
21	0121L00976NG	ECONOMIZER DOOR (M2, M3, M4, M5, M6, M7, M9, M10, M11, M12, M13, M14, M15, M16, M17, M18, M19, M21, M22)	M2	-	DTG0600901DHXXAA
31	0121L00343RFNG	POST-SIDE SUPPORT (QTY 2)	M3	-	DTG0600901DVDXAA
41	0121L00344RFNG	CORNER POST (QTY 4)	M4	-	DTG0600901DVXFAA
41	0121L02554RFNG	PNT, CORNER POST (M3, M8, M9)	M5	-	DTG0600901DXSXAA
51	0121L00354NG	LOUVERED COMPRESSOR PANEL (M1, M3, M4, M5, M6, M7, M8, M11, M12, M14, M15, M16, M17, M22)	M6	-	DTG0600901DXXAAA
51	0121L00836NG	LOUVERED COMPRESSOR PANEL (M13, M19, M21)	M7	-	DTG0600901DXXXAA
51	0121L00840NG	LOUVERED COMPRESSOR PANEL (M2, M9, M10, M18, M20)	M8	-	DTG0600903DAKXAA
61	0121G00301	RAIL CORNER BRACKET (M1, M2, M3, M4, M5, M6, M7, M8, M9, M10, M11, M12, M13, M14, M15, M16, M17, M18, M19, M21, M22)	M9	-	DTG0600903DHKCAA
71	0121L01382RFNG	SIDE POST (M3, M8, M9)	M10	-	DTG0600903DHXXAA
71	0121L01169RFNG	SIDE POST 3-5 TON (M1, M2, M4, M5, M6, M7, M10, M11, M12, M13, M14, M15, M16, M17, M18, M19, M20, M21, M22)	M11	-	DTG0600903DVXHAA
81	0121L00244RF	SIDE RAIL (QTY 2)	M12	-	DTG0600903DXXXAA
91	0121L00245	END RAIL	M13	-	DTG0601401DHXCAA
201	0121L00889	BLOCKOFF-CONDENSER	M14	-	DTG0601401DVXUAA
211	0121L00349	COND MOUNTING ANGLE	M15	-	DTG0601401DVXXAA
221	0121L00939	CONDENSER BLOCKOFF PLATE	M16	-	DTG0601401DXSXAA
NS	0121L01309	ECONOMIZER COVER (M1, M8, M20)	M17	-	DTG0601401DXXXAA
NS	0164L00009	GASKET-RUBBER, CPOST (QTY 3)	M18	-	DTG0601403DHXAAA
NS	0164L00011	GASKET-RUBBER, SIDE POST (QTY 3)	M19	-	DTG0601403DHXXAA
Image 2:			M20	-	DTG0601403DJXGAA
12	0121L00342NG	DUCT PANEL	M21	-	DTG0601403DWXGAA
22	0121L00023NG	RETURN DUCT COVER	M22	-	DTG0601403DXXXAA
32	0121L00024NG	SUPPLY DUCT COVER			
42	0121L01438NG	BURNER DOOR			
52	0121L01170NG	LOUVERED CONTROL PANEL (M1, M2, M4, M5, M6, M7, M10, M11, M12, M13, M14, M15, M16, M17, M18, M19, M20, M21, M22)			
52	0121L02552NG	PNT, CONTROL DOOR (M3, M8, M9)			
62	0121L01108NG	HEAT EXCHANGER DOOR			
72	0121L01172NG	BLOWER DOOR			
82	0121L01110RFNG	POST-BURNER			
222	0121L01439	RAIN SHIELD DOOR			
232	0121L01440NG	FLUE COLLAR			
242	0121L01441NG	BURNER DOOR PANEL			
252	B1392139	VIEW PORT BUSHING, CLEAR 1.00			
NS	B1910010	GAS LINE GROMMET			

Partition, Condenser & Evaporator Assy



Partition, Condenser & Evaporator Assy

Ref. Part No:	Ref. Part No:	Description:	Description:
Image 1:			
11	0201L00145	TUBING ASSY, COND COIL	
21	0202L00145	TUBING ASSY, EVAP COIL	
31	0121L00345	BLOCKOFF-EVAPORATOR (M1, M2, M3, M4, M5, M6, M7, M8, M9, M10, M11, M12, M13, M15, M16, M17, M18, M19, M22)	
31	0121L00398	BLOCKOFF-EVAPORATOR (M14, M20, M21)	
41	0161L00005	DRAIN PAN	
51	0121L00357	FILTER ANGLE-VERTICAL (RETURN SIDE)	
61	0121L00932	FILTER ANGLE-HORIZONTAL (QTY 2)	
71	0121L01255	ANGLE-FILTER CENTER	
81	0121L00358	FILTER ANGLE-VERTICAL (HAIRPIN SIDE)	
101	0130F00105	LIMIT SWITCH (M1, M2, M3, M4, M5, M6, M7, M9, M13, M14, M15, M16, M17)	
101	0130M00063	PRIMARY LIMIT, 140 (M8, M10, M11, M12)	
111	0121L01575	BLOWER DECK	
151	0121L02123	DECK SIDE CHANNEL	
161	0121L00293	BACK ANGLE-HEAT EXCHANGER (QTY 2)	
171	0121L00300	SUPPORT POST-DECK	
181	0130F00035	PRIMARY LIMIT, 220, PURPLE (M18, M19, M20, M21, M22)	
191	0121L00266	HEAT PANEL CHANNEL (QTY 2)	
321	0163L00071	DRAIN PLUG	
331	0154L00009	GASKET-DRAIN PAN	
NS	0160L00174	AIR FILTER 16 X 20 X 2 (QTY 4)	
NS	0121L01377	BLOWER DECK SUPPORT (M3, M8, M9)	
NS	0121L00939	CONDENSER BLOCKOFF PLATE	
NS	0121L00238	DRAIN PAN SUPPORT	
NS	0121L00321	SMOKE DETECTOR COVER	

Expanded Model Nomenclature

M1 - DTG0600901DAXFAA
M2 - DTG0600901DHXXAA
M3 - DTG0600901DVDXAA
M4 - DTG0600901DVXFAA
M5 - DTG0600901DXSXAA
M6 - DTG0600901DXXAAA
M7 - DTG0600901DXXXAA
M8 - DTG0600903DAKXAA
M9 - DTG0600903DHKCAA
M10 - DTG0600903DHXXAA
M11 - DTG0600903DVXHAA
M12 - DTG0600903DXXXAA
M13 - DTG0601401DHXCAA
M14 - DTG0601401DVXUAA
M15 - DTG0601401DVXXAA
M16 - DTG0601401DXSXAA
M17 - DTG0601401DXXXAA
M18 - DTG0601403DHXAAA
M19 - DTG0601403DHXXAA
M20 - DTG0601403DJXGAA
M21 - DTG0601403DWXGAA
M22 - DTG0601403DXXXAA

Blower and Control Box Assembly

IMAGE 1

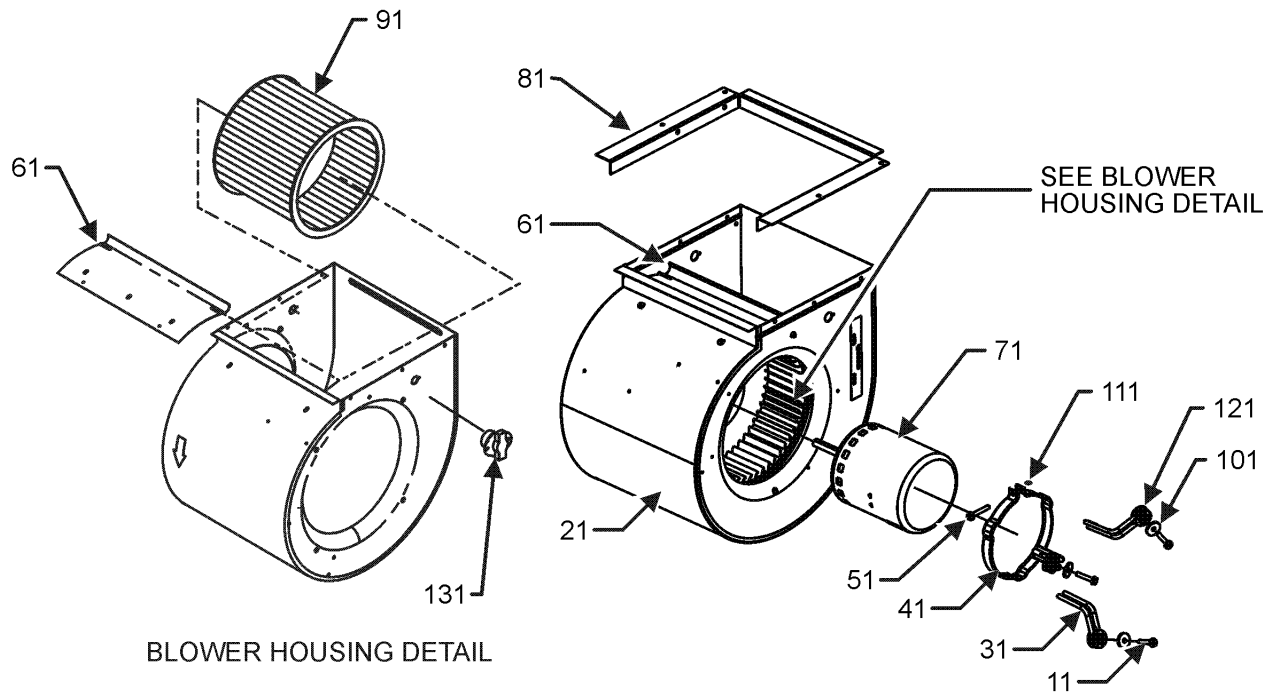
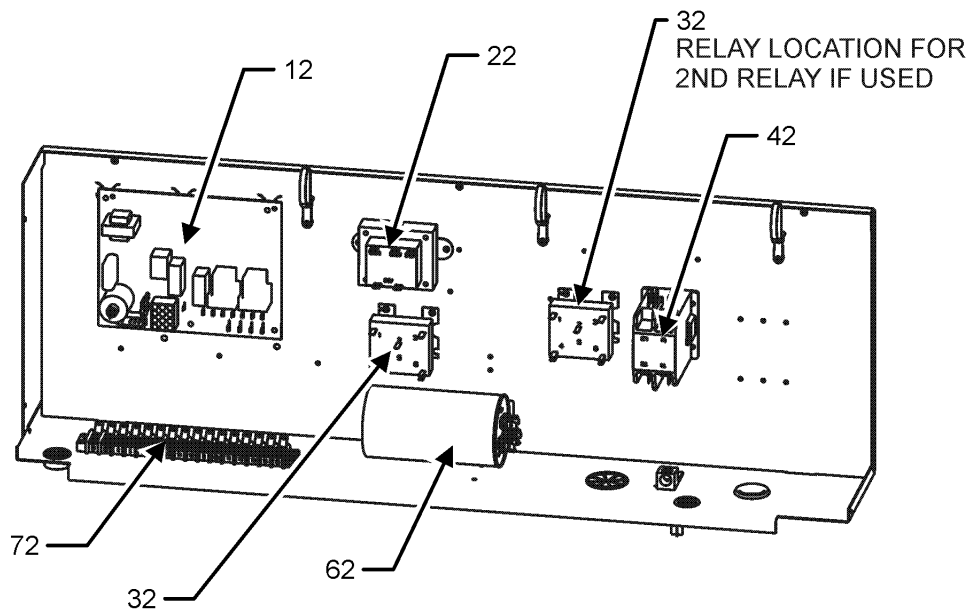


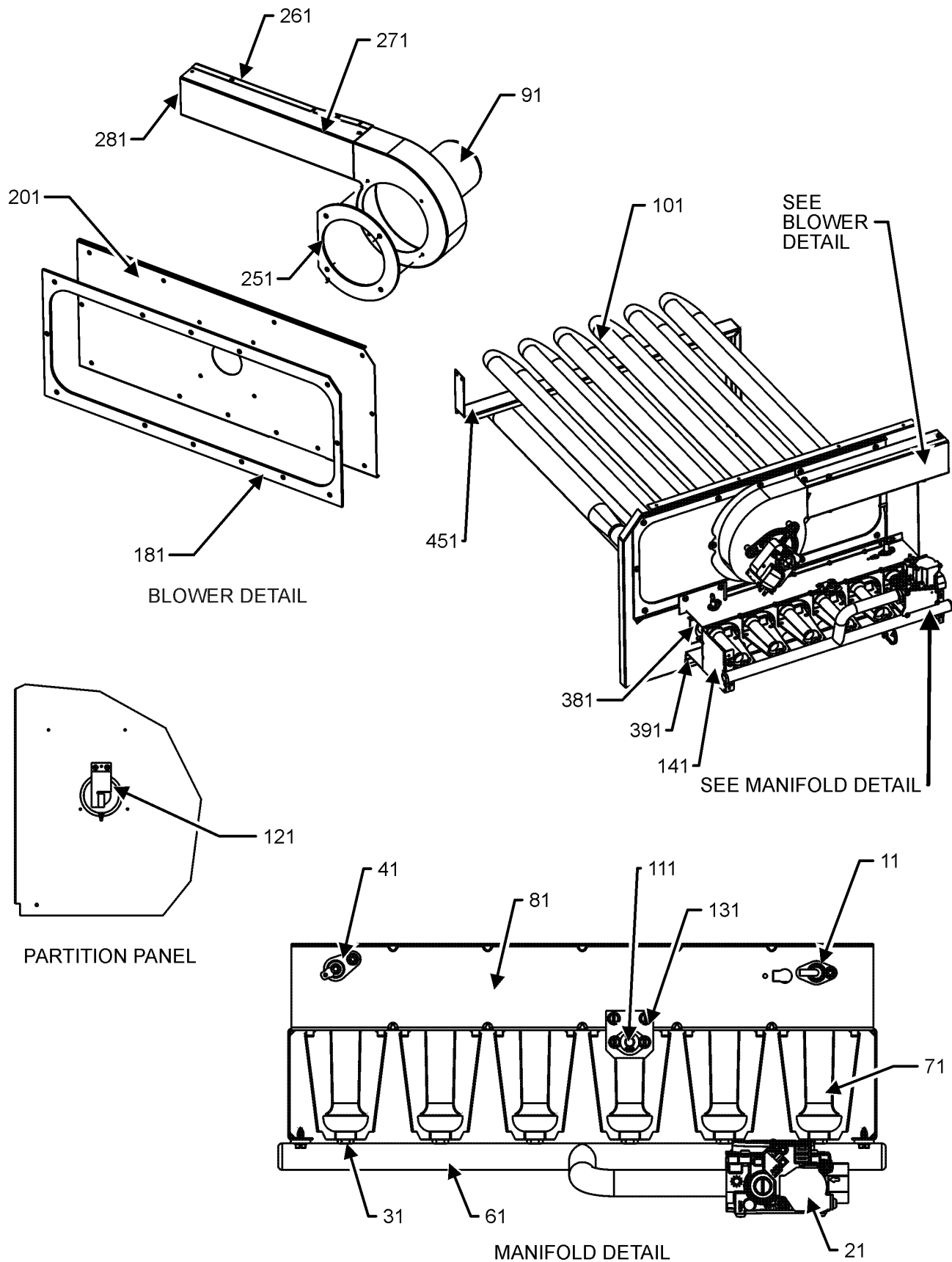
IMAGE 2



Blower and Control Box Assembly

Ref. Part No:	Ref. Part No:	Description:	Description:
Image 1:		Expanded Model Nomenclature	
11	M0221461	TC SCREW (QTY 4)	M1 - DTG0600901DAXFAA
21	11185811	HSG WELD-11X10 FUR	M2 - DTG0600901DHXXAA
31	10441501	MOTOR MOUNT ARM (QTY 4)	M3 - DTG0600901DV DXAA
41	10441601	MOTOR MOUNT BAND	M4 - DTG0600901DV XFAA
51	M0267144	MACH SCREW HWH	M5 - DTG0600901DXSXAA
61	C6121807	BLOWER CUT-OFF	M6 - DTG0600901DXXAAA
71	0131M00814	MOTOR-1HP PROGRAMMED SELECTECH	M7 - DTG0600901DXXXAA
81	0121L00281	BLOWER MOUNTING ANGLE	M8 - DTG0600903DAKXAA
91	B1368000	BLOWER WHEEL 11 X 10	M9 - DTG0600903DHKCAA
101	M0274008	WASHER-FLAT (QTY 4)	M10 - DTG0600903DHXXAA
111	M0282015	NUTS KEPS	M11 - DTG0600903DVXHAA
121	A4002702	BLOWER MOTOR GROMMET (QTY 4)	M12 - DTG0600903DXXXAA
131	20269903	AUXILIARY LIMIT, AUTO RESET (M1, M2, M3, M4, M5, M6, M7, M8, M9, M10, M11, M12, M13, M14, M15, M16, M17)	M13 - DTG0601401DHXCAA
131	20162905	PRIMARY LIMIT-YELLOW (M18, M19, M20, M21, M22)	M14 - DTG0601401DVXUAA
Image 2:			
12	PCBAG123	IGNITION BOARD, DSI INTEGRATED	M15 - DTG0601401DVXXAA
22	0130M00138	TRANSFORMER 208/230, 24V (M1, M2, M3, M4, M5, M6, M7, M13, M14, M15, M16, M17)	M16 - DTG0601401DXSXAA
32	0130M00025	24V RELAY (M1, M2, M3, M4, M5, M6, M7, M13, M14, M15, M16, M17)	M17 - DTG0601401DXXXAA
42	CONT3P030024V	CONTACTOR 30 AMP, 3P, 24V (M8, M9, M10, M11, M12, M18, M19, M20, M21, M22)	M18 - DTG0601403DHXAAA
42	CONT2P040024V	CONTACTOR 40 AMP, 2P, 24V (M1, M2, M3, M4, M5, M6, M7, M13, M14, M15, M16, M17)	M19 - DTG0601403DHXXAA
62	CAP100700440CT	CAP, 10/70 MFD/ 440V/ DUAL RD (M1, M2, M3, M4, M5, M6, M7, M13, M14, M15, M16, M17)	M20 - DTG0601403DJXGAA
62	CAP100000370LA	CAPACITOR 10/370V (M8, M9, M10, M11, M12, M18, M19, M20, M21, M22)	M21 - DTG0601403DWXGAA
72	0130M00038	TERMINAL BOARD (M1, M2, M3, M4, M5, M6, M7, M13, M14, M15, M16, M17)	M22 - DTG0601403DXXXAA
NS	20520901	CAPACITOR STRAP	
NS	0259L00179	HARNESS, ECONOMIZER (M1, M2, M3, M4, M5, M6, M7, M13, M14, M15, M16, M17)	
NS	0259L00125	HARNESS, WIRING (M1, M2, M3, M4, M5, M6, M7, M13, M14, M15, M16, M17)	
NS	0130M00127	MOTOR POWER HARNESS (M1, M2, M3, M4, M5, M6, M7, M13, M14, M15, M16, M17)	
NS	0259L00091	WIRE HARNESS-SMOKE DETECTOR (M11, M14, M20, M21)	
NS	0259L00054	WIRING HARNESS (M1, M2, M3, M4, M5, M6, M7, M13, M14, M15, M16, M17)	
NS	0259L00066	WIRING HARNESS (M1, M2, M3, M4, M5, M6, M7, M13, M14, M15, M16, M17)	
NS	0259L00069	WIRING HARNESS (M1, M2, M3, M4, M5, M6, M7, M13, M14, M15, M16, M17)	
NS	0259L00070	WIRING HARNESS (M4, M9, M14)	
NS	0130M00126	X-13 LOW VOLTAGE WIRE HARNESS	

Heat Exchanger Assembly



Heat Exchanger Assembly

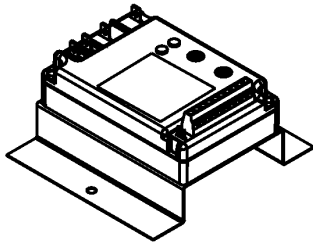
Ref. Part No:	Ref. Part No:	Description:	Description:
Image 1:		Image 1:	
11	20261709	IGNITOR	381 11072203 ORIFICE SHIELD (M8, M10, M11, M12)
21	0151F00000P	GAS VALVE	381 11072205 ORIFICE SHIELD (M18, M19, M20, M21, M22)
31	0163F00018	ORIFICE (QTY 4)	391 0121L00267 BRACKET-BURNER SLIDE (M8, M10, M11, M12, M18, M19, M20, M21, M22)
41	0130F00010	FLAME SENSOR	451 0121L02618 BRACKET-HEAT EXCHANGER
61	0163L00026	MANIFOLD-GAS 4 BURNER (M1, M2, M3, M4, M5, M6, M7, M8, M9, M10, M11, M12)	NS A3468601 PRESSURE SWITCH HOSE
61	0163L00025	MANIFOLD-GAS, 6 BURNER (M13, M14, M15, M16, M17, M18, M19, M20, M21, M22)	Expanded Model Nomenclature
71	0163F00017	BECKETT BURNER (M1, M2, M3, M4, M5, M6, M7, M9, M13, M14, M15, M16, M17)	M1 - DTG0600901DAXFAA
71	10735102	BECKETT BURNER (M8, M10, M11, M12, M18, M19, M20, M21, M22)	M2 - DTG0600901DHXXAA
81	0121L01363	BRACKET, BURNER 6 (M13, M14, M15, M16, M17)	M3 - DTG0600901DV DXAA
81	0121L01361	BURNER BRACKET 4B (M1, M2, M3, M4, M5, M6, M7, M9)	M4 - DTG0600901DV XFAA
81	20190412	BURNER BRACKET 4B (M8, M10, M11, M12)	M5 - DTG0600901DXSXAA
81	0121F00145	BURNER BRACKET 6B (M18, M19, M20, M21, M22)	M6 - DTG0600901DXXAAA
91	0131M00121	BLOWER-ID COMBUSTION (M1, M2, M3, M4, M5, M6, M7, M8, M9, M10, M11, M12, M18, M19, M20, M21, M22)	M7 - DTG0600901DXXXAA
91	0131L00002	VENT MOTOR (M13, M14, M15, M16, M17)	M8 - DTG0600903DAKXAA
101	0270L00682	PART/TUBE ASSY (M1, M2, M3, M4, M6, M7)	M9 - DTG0600903DHKCAA
101	0270L00684	PART/TUBE ASSY (M13, M14, M15, M17)	M10 - DTG0600903DHXXAA
101	0270L00686	PART/TUBE ASSY (M5, M9)	M11 - DTG0600903DVXHAA
101	0270L00688	PART/TUBE ASSY (M16)	M12 - DTG0600903DXXXAA
101	0270L00092	PART/TUBE ASSY 4B (M10, M11, M12)	M13 - DTG0601401DHXCAA
101	0270L00105	PART/TUBE ASSY 4B (M8)	M14 - DTG0601401DVXUAA
101	0270L00072	PART/TUBE ASSY 6B (M18, M19, M20, M21, M22)	M15 - DTG0601401DVXXAA
111	10123532	LIMIT-RESET MAN-GRAY	M16 - DTG0601401DXSXAA
121	11112501	PRESSURE SWITCH	M17 - DTG0601401DXXXAA
131	0121L00053	BRACKET-FLAME ROLLOUT	M18 - DTG0601403DHXAAA
141	0121F00467	ORIFICE BRACKET-BURNER 4 (M1, M2, M3, M4, M5, M6, M7, M9)	M19 - DTG0601403DHXXAA
141	0121F00465	ORIFICE BRACKET-BURNER 6 (M13, M14, M15, M16, M17)	M20 - DTG0601403DJXGAA
181	0154L00018	GASKET- ID BLOWER PLATE 2,4 (M1, M2, M3, M4, M5, M6, M7, M8, M9, M10, M11, M12)	M21 - DTG0601403DWXGAA
181	0154L00017	ID BLOWER PLATE GASKET 6 BRNR (M13, M14, M15, M16, M17, M18, M19, M20, M21, M22)	M22 - DTG0601403DXXXAA
201	0121L00241	ID BLOWER PLATE (M18, M19, M20, M21, M22)	
201	0121L00284	ID BLOWER PLATE 4 BRNR (M8, M10, M11, M12)	
201	0121L01353	PLATE, ID BLOWER 4 (M1, M2, M3, M4, M5, M6, M7, M9)	
201	0121L01456	PLATE-ID BLOWER 6 (M13, M14, M15, M16, M17)	
251	0154L00020	GASKET-ID BLOWER (M1, M2, M3, M4, M5, M6, M7, M8, M9, M10, M11, M12, M18, M19, M20, M21, M22)	
261	0121L00277	FLUE CHANNEL (M1, M2, M3, M4, M5, M6, M7, M8, M9, M10, M11, M12, M18, M19, M20, M21, M22)	
261	0121L01355	FLUE CHANNEL (M13, M14, M15, M16, M17)	
271	0121L00278	FLUE SIDE COVER (M1, M2, M3, M4, M5, M6, M7, M8, M9, M10, M11, M12, M18, M19, M20, M21, M22)	
271	0121L01356	FLUE SIDE COVER (M13, M14, M15, M16, M17)	
281	0163L00072	SCREEN-FLUE	

Accessory Parts List

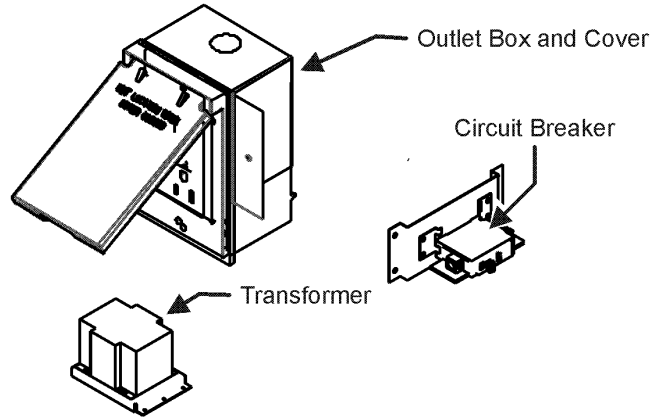
ACCESSORY PARTS LIST

NOTE: NOT ALL OPTIONS AVAILABLE FOR ALL PRODUCTS

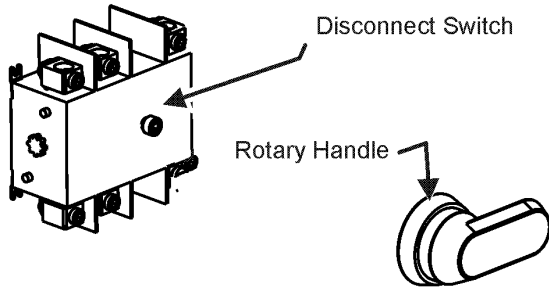
1 LOW AMBIENT KITS



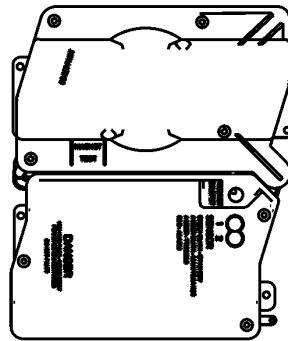
2 GFCI CONVENIENCE OUTLET



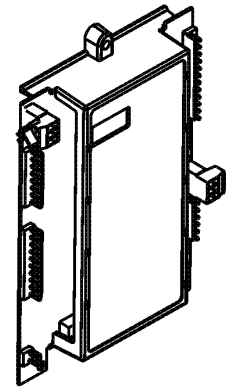
3 DISCONNECT MODULE (NON-FUSED)



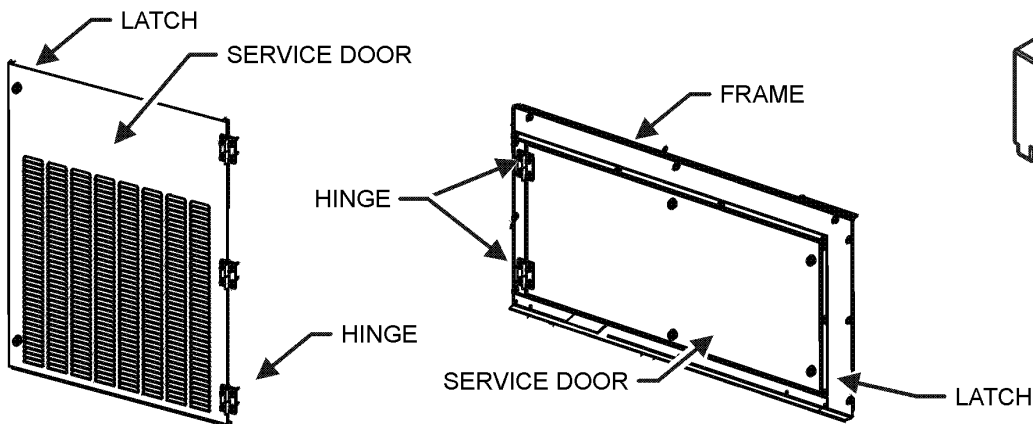
4 SMOKE DETECTORS



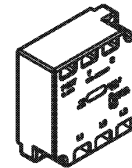
5 DDC CONTROL



6 HINGED DOOR ASSEMBLIES



7 PHASE MONITOR



Accessory Parts List

Ref. Part No:	No:	Description:	Ref. Part No:	No:	Description:
Image 1:			Expanded Model Nomenclature		
NS	1036609C	3-6 TON DFLOW ECONOMIZER (M1, M8, M20)	M1	-	DTG0600901DAXFAA
NS	DDNECNJ3672C	3-6 TON DFLOW ECONOMIZER (M3, M4, M11, M14, M15, M21)	M2	-	DTG0600901DHXXAA
NS	0121L00316	BRACKET-CONV OUTLET MOUNT (M1, M4, M6, M11, M14, M18, M20, M21)	M3	-	DTG0600901DVDXAA
NS	0121L00835	BRACKET-DISCONNECT SWITCH (M2, M9, M10, M13, M18, M19, M20, M21)	M4	-	DTG0600901DVXFAA
NS	0121L01934	BRACKET-SMOKE DETECTOR (M11, M14, M20, M21)	M5	-	DTG0600901DXSXAA
NS	0121L00837NG	DISCONNECT COVER (M2, M9, M10, M13, M18, M19, M20, M21)	M6	-	DTG0600901DXXAAA
NS	0130L00012	GANG BOX-GFCI OUTLET (M1, M4, M6, M11, M14, M18, M20, M21)	M7	-	DTG0600901DXXXAA
NS	0130L00039	HANDLE, ROTARY (M2, M9, M10, M13, M18, M19, M20, M21)	M8	-	DTG0600903DAKXAA
NS	0163M00307	HINGE, LEFT HAND (M3, M8, M9)	M9	-	DTG0600903DHKCAA
NS	0163M00308	HINGE, RIGHT HAND (M3, M8, M9)	M10	-	DTG0600903DHXXAA
NS	0163M00360	LATCH (M3, M8, M9)	M11	-	DTG0600903DVXHAA
NS	0130M00058	LOW AMBIENT KIT (M1, M4, M9, M13, M14)	M12	-	DTG0600903DXXXAA
NS	0121L02510NG	PNT, BLOWER DOOR FRAME (M3, M8, M9)	M13	-	DTG0601401DHXCAA
NS	0161G00012	POWER OUTLET BOX (M1, M4, M6, M11, M14, M18, M20, M21)	M14	-	DTG0601401DVXUAA
NS	0130L00103	RECEPTACLE-GFCI OUTLET (M1, M4, M6, M11, M14, M18, M20, M21)	M15	-	DTG0601401DVXXAA
NS	0121L02529NG	SERVICE DOOR BACK , BLOWER (M3, M8, M9)	M16	-	DTG0601401DXSXAA
NS	0121L02528NG	SERVICE DOOR FRONT, BLOWER (M3, M8, M9)	M17	-	DTG0601401DXXXAA
NS	0130L00042	SHAFT, CUT (M2, M9, M10, M13, M18, M19, M20, M21)	M18	-	DTG0601403DHXAAA
NS	0130L00049	SHAFT, DISCONNECT (M2, M9, M10, M13, M18, M19, M20, M21)	M19	-	DTG0601403DHXXAA
NS	D4120	SMOKE DETECTOR, PHOTO 4WIRE (M11, M14, M20, M21)	M20	-	DTG0601403DJXGAA
NS	0130L00046	SWITCH-DISCONNECT 60A (M2, M9, M10, M13, M18, M19, M20, M21)	M21	-	DTG0601403DWXGAA
			M22	-	DTG0601403DXXXAA