

Commercial High Efficient 4 Ton Direct Drive Package Gas Units

DTG0480901DVSXAA
DTG0480901DXSXAA
DTG0480901DXXAAA
DTG0480901DXXXAA
DTG0480903DHDAAA
DTG0480903DJXAAA
DTG0480903DJXCAA
DTG0480903DVXHAA
DTG0480903DVXMAA
DTG0480903DWXAAA
DTG0480903DXXXAA
DTG0481151DXDXAA
DTG0481151DXSXAA
DTG0481151DXXXAA
DTG0481153DADXAA
DTG0481153DAKAAA
DTG0481153DXXXAA



This manual is to be used by qualified technicians only.

This manual replaces RP-D1079J.

Important Information

Index

Functional Parts List	3
Illustration and Parts	4 - 15

Views shown are for parts illustrations only, not servicing procedures

Text Codes:

AR - As Required

NA - Not Available

NS - Not Shown

00000000 - See Note

QTY - Quantity Example (QTY 3) (If Quantity not shown, Quantity = 1)

M - Model Example (M1) (If M Code not shown, then part is used on all Models)

Expanded Model Nomenclature:

Example M1 - Model#1 M2 - Model#2 M3 - Model#3

Daikin Company, L.P. is not responsible for personal injury or property damage resulting from improper service. Review all service information before beginning repairs.

Warranty service must be performed by an authorized technician, using authorized factory parts. If service is required after the warranty expires, Daikin Company, L.P. also recommends contacting an authorized technician and using authorized factory parts.

Daikin Company, L.P. reserves the right to discontinue, or change at any time, specifications or designs without notice or without incurring obligations.

For assistance within the U.S.A. contact:

Equipment Support
Daikin North America, LLC
19001 Kermier Road
Waller, Texas 77484
855-770-5678-Telephone
713-863-2382-Facsimile

For assistance outside the U.S.A. contact:

International Division
Daikin North America, LLC
19001 Kermier Road
Waller, Texas 77484
713-861-2500-Telephone
713-863-2382-Facsimile

Functional Parts

Part

No: Description:

0130M00025	24V RELAY
B1370155	AUXILIARY LIMIT SWITCH, 120 (M5, M6, M7, M8, M9, M10, M11)
20269903	AUXILIARY LIMIT, AUTO RESET (M1, M2, M3, M4, M5, M6, M7, M8, M9, M11, M12, M13, M14, M15, M16, M17)
10735102	BECKETT BURNER (M5, M6, M7, M8, M9, M10, M11, M15, M16, M17)
0163F00017	BECKETT BURNER (M1, M2, M3, M4, M12, M13, M14)
CAP050000370LA	CAPACITOR 5/370V (M5, M6, M7, M8, M9, M10, M11, M15, M16, M17)
CAP050450440CT	CAPACITOR 5/45/440V/DUAL RD (M1, M2, M3, M4, M12, M13, M14)
ZP39K5ETF5130	COMPRESSOR 39000, 200/230/60/3 (M5, M6, M7, M8, M9, M10, M11, M15, M16, M17)
ZP39K5EPFV130	COMPRESSOR 39000, 208/230/60/1 (M1, M2, M3, M4, M12, M13, M14)
CONT3P025024V	CONTACTOR 25 AMP, 3P, 24V (M5, M6, M7, M8, M9, M10, M11, M15, M16, M17)
CONT2P040024V	CONTACTOR 40 AMP, 2P, 24V (M1, M2, M3, M4, M12, M13, M14)
0130M00074	CUT-OUT SWITCH, HIGH PRESSURE
0130M00087	CUT-OUT SWITCH, LOW PRESSURE
0150G00004	FAN BLADE
0130F00010	FLAME SENSOR
0151F00000P	GAS VALVE - WHITE-RODGERS 2-STAGE
0131M00121	ID COMBUSTION BLOWER
PCBAG123	IGNITION BOARD, DSI INTEGRATED
20261709	IGNITOR
0130F00105	LIMIT SWITCH (M1, M2, M3, M4)
10123532	MANUAL RESET LIMIT 350°F
0131M00847	MOTOR, 1/4 HP, 1 SP, 6 PL (M1, M2, M3, M4, M5, M6, M8, M10, M11, M12, M13, M14, M15, M16, M17)
0130M00063	PRIMARY LIMIT, 140 (M12, M13, M14)
20162904	PRIMARY LIMIT-TEMPERATURE CONTROL (M15, M16, M17)
20162905	PRIMARY LIMIT-YELLOW (M10)
11112501	SWITCH-PRESSURE
0130M00038	TERMINAL BOARD
0130M00138	TRANSFORMER 208/230, 24V

Expanded Model Nomenclature

M1 - DTG0480901DVSXAA
M2 - DTG0480901DXSXAA
M3 - DTG0480901DXXAAA
M4 - DTG0480901DXXXAA
M5 - DTG0480903DHDAAA
M6 - DTG0480903DJXAAA
M7 - DTG0480903DJXCAA
M8 - DTG0480903DVXHAA
M9 - DTG0480903DVXMAA
M10 - DTG0480903DWXAAA
M11 - DTG0480903DXXXAA
M12 - DTG0481151DXDXAA
M13 - DTG0481151DXSXAA
M14 - DTG0481151DXXXAA
M15 - DTG0481153DADXAA
M16 - DTG0481153DAKAAA
M17 - DTG0481153DXXXAA

Top Panel and Tubing Assembly

IMAGE 1

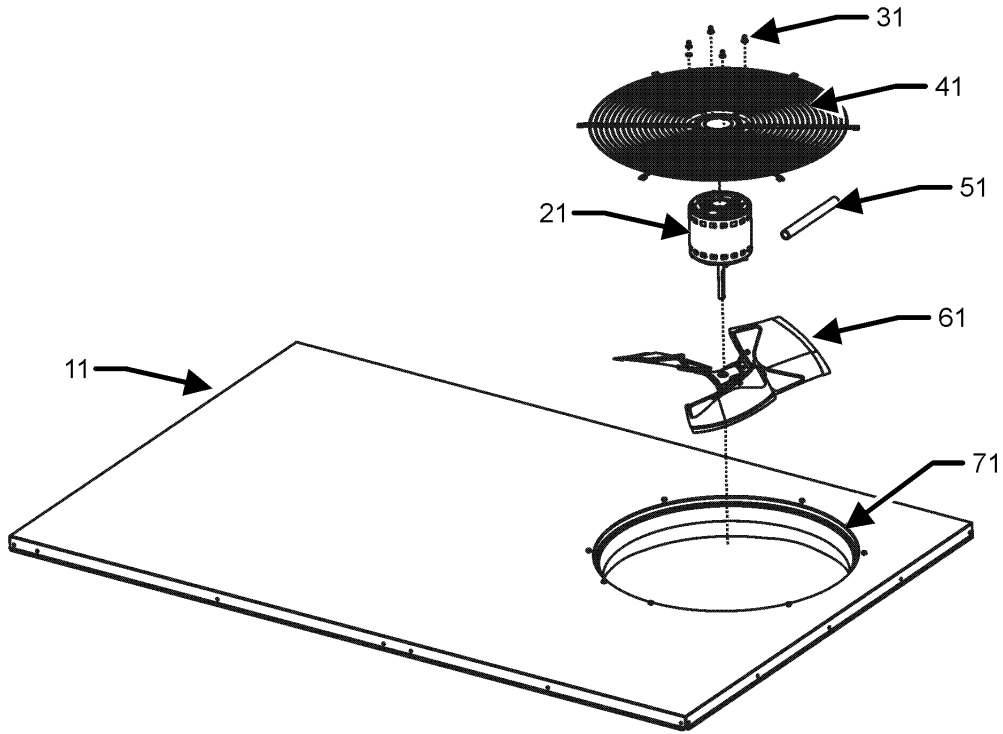
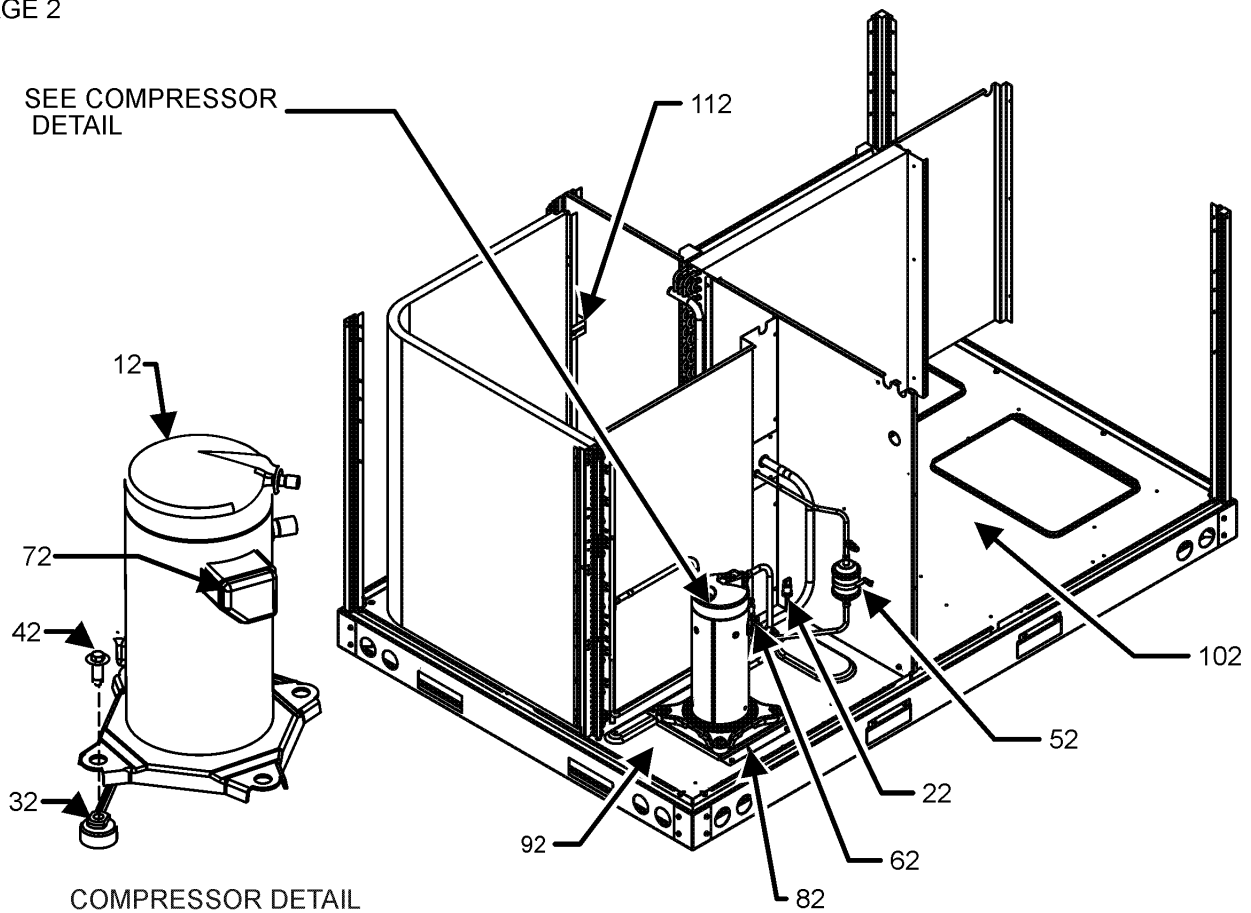


IMAGE 2



Top Panel and Tubing Assembly

Ref. Part No:	Part No:	Description:	Ref. Part No:	Part No:	Description:
---------------	----------	--------------	---------------	----------	--------------

Image 1:

11	0121L00235NG	TOP PANEL
21	0131M00847	MOTOR, 1/4 HP, 1 SP, 6 PL (M1, M2, M3, M4, M5, M6, M8, M10, M11, M12, M13, M14, M15, M16, M17)
21	0131L00061	MOTOR, 1/4 HP, 1SP, 6PL (M7, M9)
31	0163M00006P	ACORN NUT 5/16 HEX BLACK (QTY 4)
41	0152G00003	FAN GRILLE
51	0161R00003P	CONDUIT
61	0150G00004	FAN BLADE
71	0161L00000	VENTURI RING 22"
NS	0163M00004	SCREW #10X3/4", BLACK (QTY 18)
NS	0163M00005P	WASHER, BLACK (.50 OD .218ID) (QTY 4)

Image 2:

12	ZP39K5ETF5130	COMPRESSOR 39000, 200/230/60/3 (M5, M6, M7, M8, M9, M10, M11, M15, M16, M17)
12	ZP39K5EPFV130	COMPRESSOR 39000, 208/230/60/1 (M1, M2, M3, M4, M12, M13, M14)
22	0130M00087	CUT-OUT SWITCH, LOW PRESSURE
32	B1339533	COMPRESSOR GROMMET (QTY 4)
42	M0221641	TF SHOULDER SCREW (QTY 4)
52	0162R00009	FILTER DRIER
62	0130M00074	CUT-OUT SWITCH, HIGH PRESSURE
72	0159L00027	COMPRESSOR SCROLL HARNESS (M1, M2, M3, M4, M12, M13, M14)
72	0159L00065	COMPRESSOR SCROLL HARNESS (M5, M6, M7, M8, M9, M10, M11, M15, M16, M17)
82	0121L00310	COMPRESSOR MOUNTING PLATE
92	0121L01990	BASE PAN, OUTDOOR
102	0121L02619	BASE PAN, INDOOR
112	0121L00936	BRACKET-HAIRPIN END
NS	B1373315	ACCESS FITTING (QTY 2)

Expanded Model Nomenclature

- M1 - DTG0480901DVSXAA
- M2 - DTG0480901DXSXAA
- M3 - DTG0480901DXXAAA
- M4 - DTG0480901DXXXAA
- M5 - DTG0480903DHDAAA
- M6 - DTG0480903DJXAAA
- M7 - DTG0480903DJXCAA
- M8 - DTG0480903DVXHAA
- M9 - DTG0480903DVXMAA
- M10 - DTG0480903DWXAAA
- M11 - DTG0480903DXXXAA
- M12 - DTG0481151DXDXAA
- M13 - DTG0481151DXSXAA
- M14 - DTG0481151DXXXAA
- M15 - DTG0481153DADXAA
- M16 - DTG0481153DAKAAA
- M17 - DTG0481153DXXXAA

Cabinet Assembly

IMAGE 1

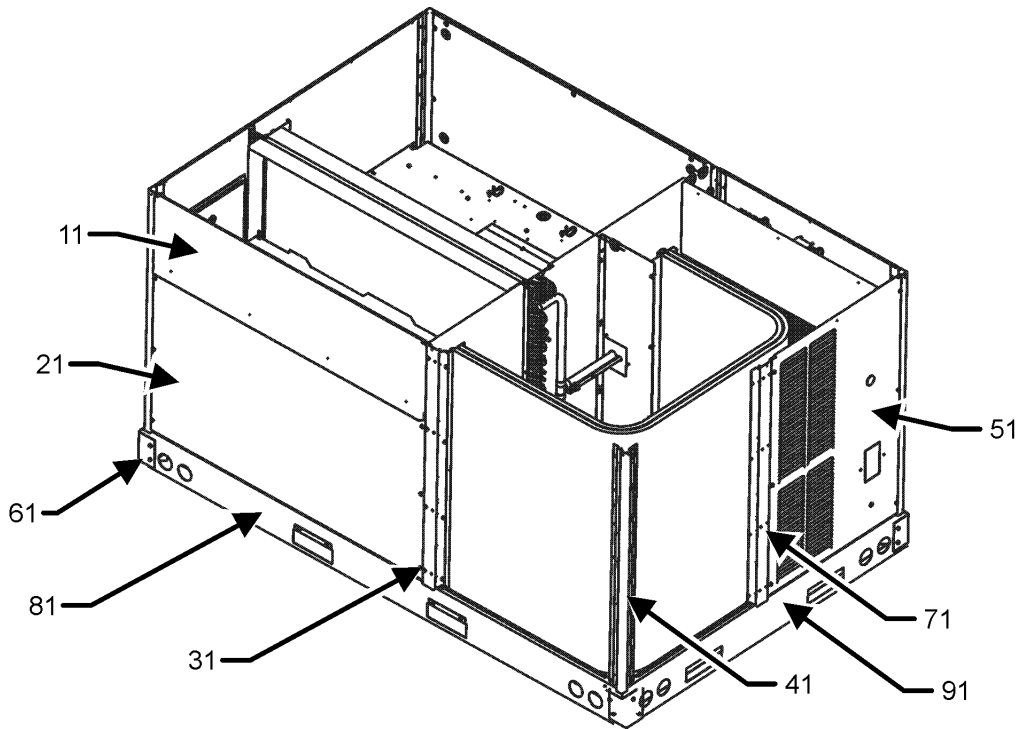
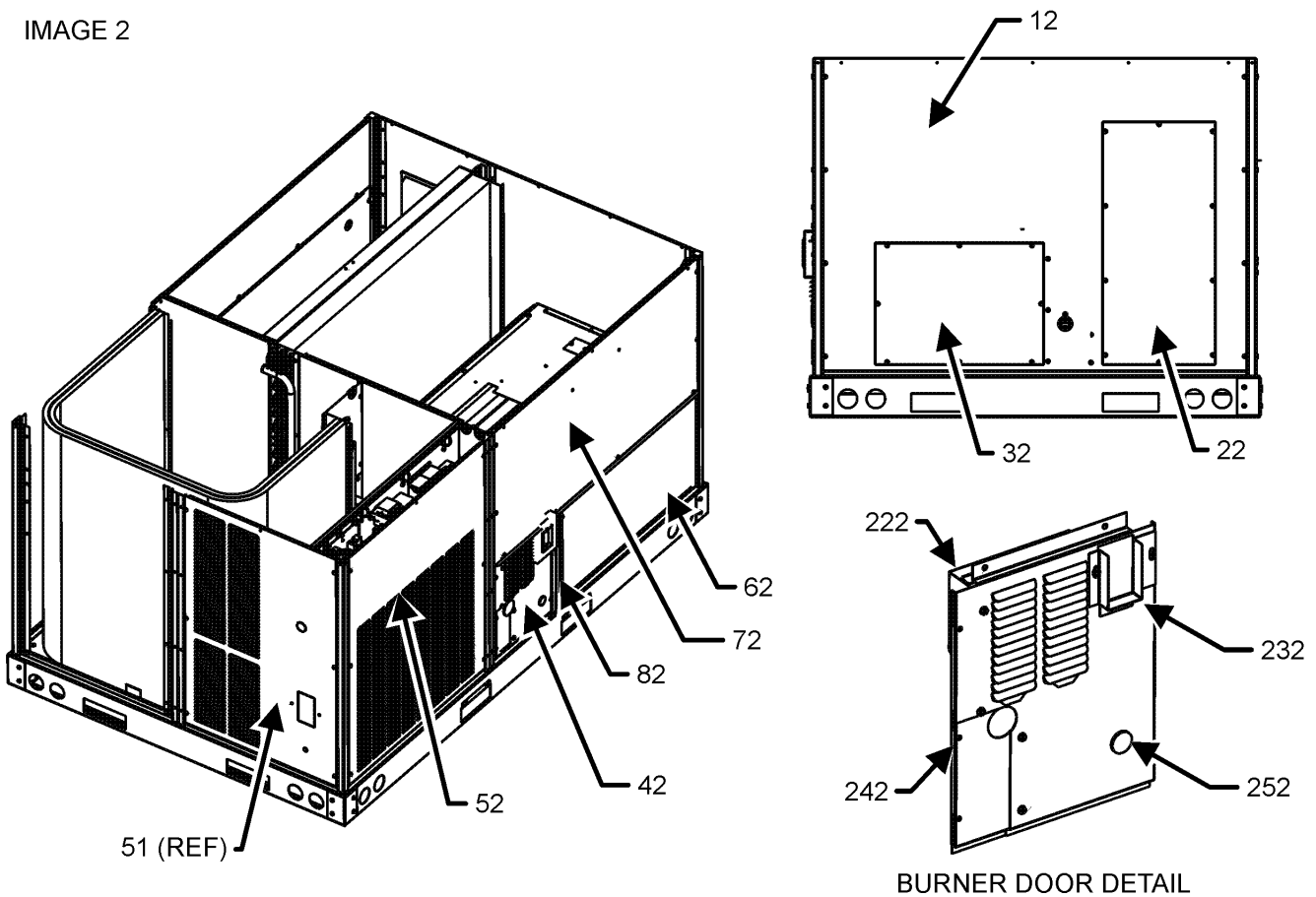


IMAGE 2



Cabinet Assembly

Ref. Part

No: No: Description:

Image 1:

11	0270L00362NG	FILTER DOOR
21	0121L00976NG	ECONOMIZER DOOR (M1, M2, M3, M4, M5, M8, M9, M10, M11, M12, M13, M14, M17)
31	0121L00233RFNG	POST-SIDE SUPPORT (QTY 2)
41	0121L00237RFNG	CORNER POST (QTY 4)
41	0121L02553RFNG	PNT, CORNER POST (M5, M12, M15, M16)
51	0121L00263NG	LOUVERED COMPRESSOR PANEL (M1, M2, M3, M4, M8, M9, M11, M12, M13, M14, M15, M16, M17)
51	0121L00836NG	LOUVERED COMPRESSOR PANEL (M5, M6, M7, M10)
61	0121G00301	RAIL CORNER BRACKET (QTY 4)
71	0121L01374RFNG	PNT, RL FMD SIDE POST SUPPORT (M5, M12, M15, M16)
71	0121L01159RFNG	POST-SIDE SUPPORT (M1, M2, M3, M4, M6, M7, M8, M9, M10, M11, M13, M14, M17)
81	0121L00244RF	SIDE RAIL (QTY 2)
91	0121L00245	END RAIL
NS	0121L01309	ECONOMIZER COVER (M6, M7, M15, M16)
NS	0164L00009	GASKET-RUBBER, CPOST (QTY 3)
NS	0164L00009	GASKET-RUBBER, CPOST (QTY 3)
NS	0164L00011	GASKET-RUBBER, SIDE POST (QTY 3)
NS	0164L00011	GASKET-RUBBER, SIDE POST (QTY 3)

Image 2:

12	0121L00236NG	DUCT PANEL
22	0121L00023NG	RETURN DUCT COVER
32	0121L00024NG	SUPPLY DUCT COVER
42	0121L01438NG	BURNER DOOR
52	0121L01121NG	CONTROL PANEL W/LOUVERS (M1, M2, M3, M4, M6, M7, M8, M9, M10, M11, M13, M14, M17)
52	0121L02551NG	PNT, CONTROL DOOR (M5, M12, M15, M16)
62	0121L01108NG	HEAT EXCHANGER DOOR
72	0121L01157NG	BLOWER DOOR
82	0121L01110RFNG	POST-BURNER
222	0121L01439	RAIN SHIELD DOOR
232	0121L01440NG	FLUE COLLAR
242	0121L01441NG	BURNER DOOR PANEL
252	B1392139	VIEW PORT BUSHING, CLEAR 1.00
NS	0141L00003X	FORK BOARD (QTY 2)
NS	0121L00055	FORK BOARD BRACKET (QTY 4)
NS	B1910010	GROMMET,GAS LINE
NS	0121L02655	RAIL-END

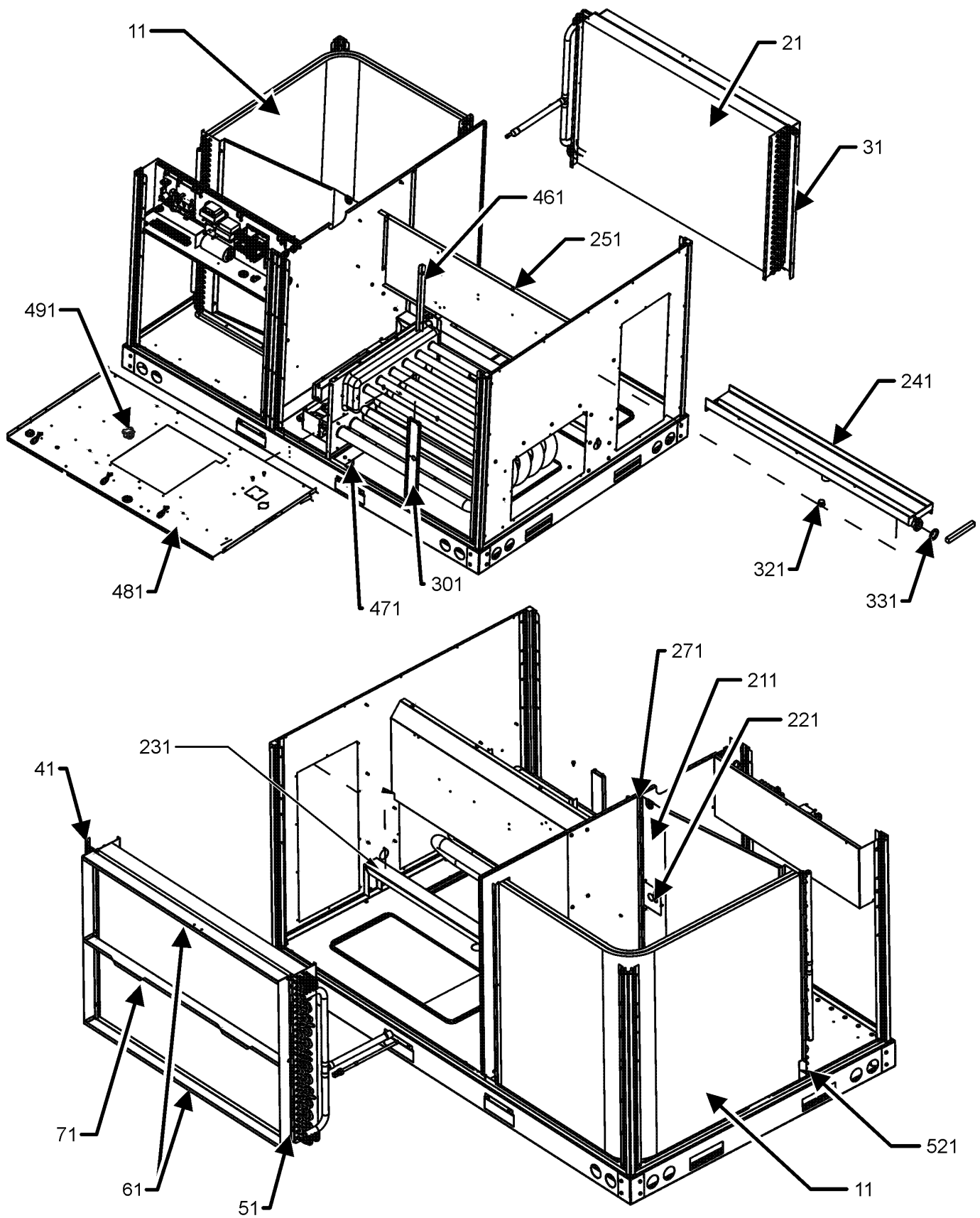
Ref. Part

No: No: Description:

Expanded Model Nomenclature

M1 - DTG0480901DVSXAA
M2 - DTG0480901DXSXAA
M3 - DTG0480901DXXAAA
M4 - DTG0480901DXXXAA
M5 - DTG0480903DHDAAA
M6 - DTG0480903DJXAAA
M7 - DTG0480903DJXCAA
M8 - DTG0480903DVXHAA
M9 - DTG0480903DVXMAA
M10 - DTG0480903DWXAAA
M11 - DTG0480903DXXXAA
M12 - DTG0481151DXDXAA
M13 - DTG0481151DXSXAA
M14 - DTG0481151DXXXAA
M15 - DTG0481153DADXAA
M16 - DTG0481153DAKAAA
M17 - DTG0481153DXXXAA

Partition Panel, Evaporator & Condenser



Partition Panel, Evaporator & Condenser

Ref. Part No: No:	Description:	Ref. Part No: No:	Description:
Image 1:			
11	0201L00141		TUBING ASSY, COND COIL
21	0202L00143		TUBING ASSY, EVAP COIL
31	0121L00252		EVAP BLOCK-OFF
41	0121L00303		FILTER ANGLE-VERTICAL (HAIRPIN SIDE)
51	0121L00287		FILTER ANGLE-VERTICAL (RETURN SIDE)
61	0121L00932		FILTER ANGLE-HORIZONTAL (QTY 2)
71	0121L01255		ANGLE-FILTER CENTER
211	0121L00882		COND BLOCK-OFF
221	0121L00939		CONDENSER BLOCKOFF PLATE
231	0121L00238		DRAIN PAN SUPPORT
241	0161L00005		DRAIN PAN
251	0121L02123		DECK SIDE CHANNEL
271	0121L00254		COND MOUNTING ANGLE
301	0121L00300		POST-DECK SUPPORT
321	0163L00071		DRAIN PLUG
331	0154L00009		DRAIN PAN GASKET
461	0121L00293		ANGLE-HEAT EXCHANGER BACK (QTY 2)
471	0121L00266		HEAT PANEL CHANNEL (QTY 2)
481	0121L03396		DECK-BLOWER
491	B1370155		AUXILIARY LIMIT SWITCH, 120 (M5, M6, M7, M8, M9, M10, M11)
491	0130F00105		LIMIT SWITCH (M1, M2, M3, M4)
491	0130M00063		PRIMARY LIMIT, 140 (M12, M13, M14)
491	20162904		PRIMARY LIMIT-TEMPERATURE CONTROL (M15, M16, M17)
521	0121L00937		BRACKET-COND TIE DOWN
NS	0160L00173		AIR FILTER 14 X 20 X 2 (QTY 4)
NS	0121L01377		BLOWER DECK SUPPORT (M5, M12, M15, M16)
NS	A4568804		GROMMET-D (QTY 4)
NS	0121L00321		SMOKE DETECTOR COVER

Expanded Model Nomenclature

M1 - DTG0480901DVSXAA
M2 - DTG0480901DXSXAA
M3 - DTG0480901DXXAAA
M4 - DTG0480901DXXXAA
M5 - DTG0480903DHDAAA
M6 - DTG0480903DJXAAA
M7 - DTG0480903DJXCAA
M8 - DTG0480903DVXHAA
M9 - DTG0480903DVXMAA
M10 - DTG0480903DWXAAA
M11 - DTG0480903DXXXAA
M12 - DTG0481151DXDXAA
M13 - DTG0481151DXSXAA
M14 - DTG0481151DXXXAA
M15 - DTG0481153DADXAA
M16 - DTG0481153DAKAAA
M17 - DTG0481153DXXXAA

Blower and Control Box Assembly

IMAGE 1

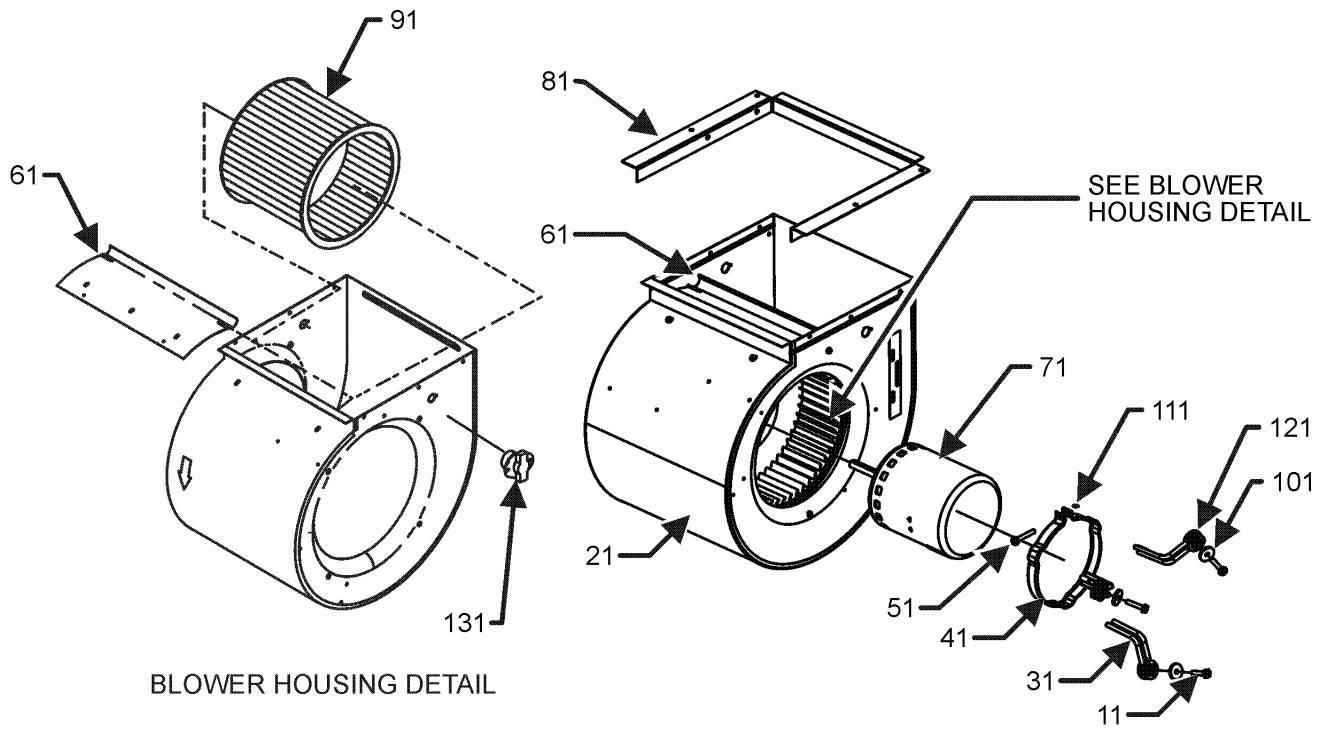
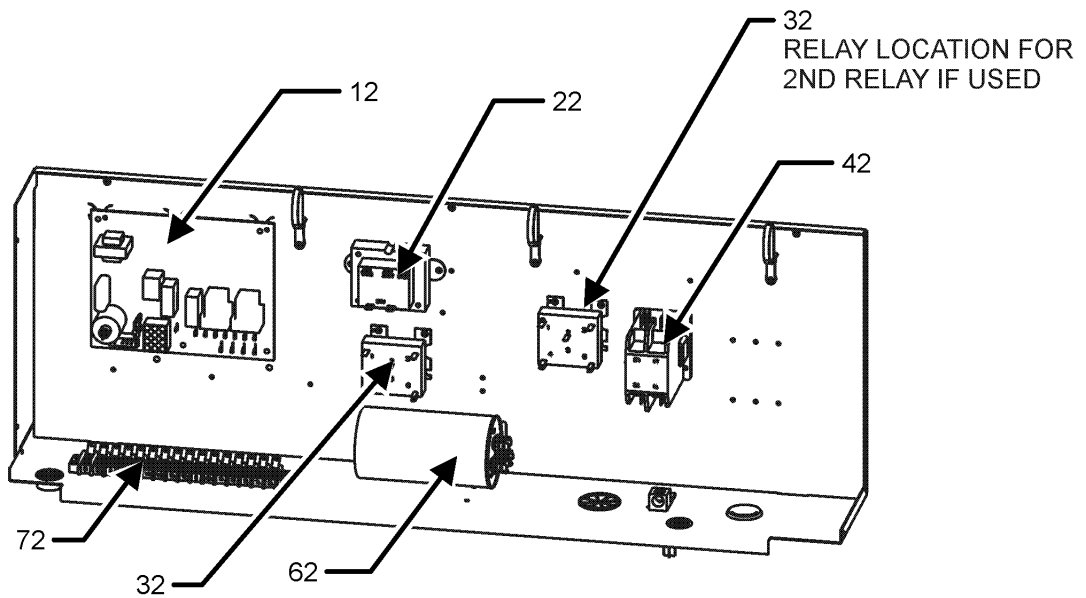


IMAGE 2



Blower and Control Box Assembly

**Ref. Part
No: No:**

Description:

**Ref. Part
No: No:**

Description:

Image 1:

11	M0221461	TC SCREW (QTY 4)
21	11185811	HSG WELD-11X10 FUR
31	10441501	MOTOR MOUNT ARM (QTY 4)
41	10441601	MOTOR MOUNT BAND
51	M0267144	MACH SCREW HWH
61	C6121807	BLOWER CUT-OFF
71	0131M00818	MOTOR, 1HP PROGRAMMED SELEC TE
81	0121L00281	BLOWER MOUNTING ANGLE
91	B1368000	BLOWER WHEEL 11 X 10
101	B1392918	WASHER, FLAT 1/4 ID X 1 OD (QTY 4)
111	M0282015	NUTS KEPS
121	A4002702	GROMMET (QTY 4)
131	20269903	AUXILIARY LIMIT, AUTO RESET (M1, M2, M3, M4, M5, M6, M7, M8, M9, M11, M12, M13, M14, M15, M16, M17)
131	20162905	PRIMARY LIMIT-YELLOW (M10)

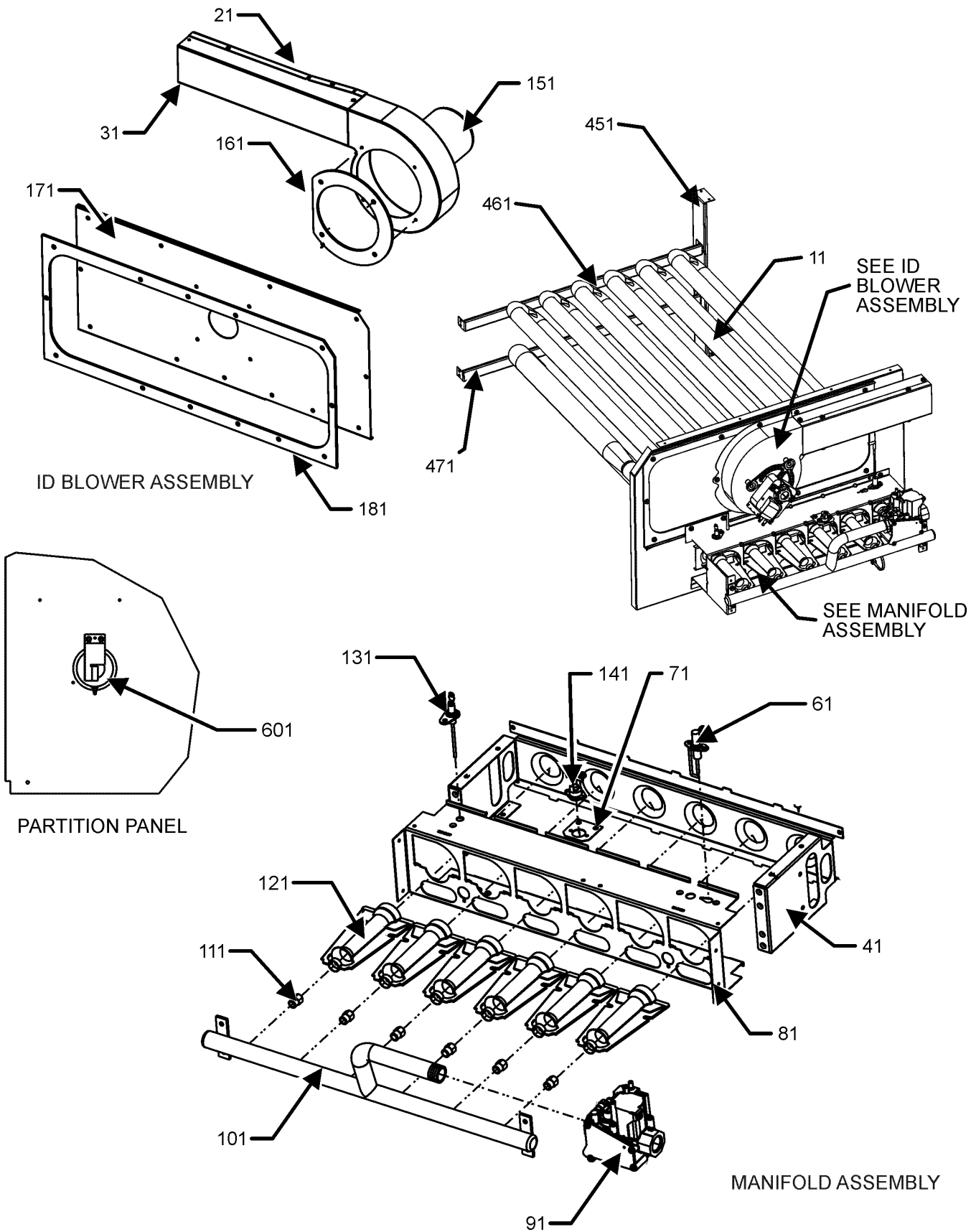
Image 2:

12	PCBAG123	IGNITION BOARD, DSI INTEGRATED
22	0130M00138	TRANSFORMER 208/230, 24V
32	0130M00025	24V RELAY
42	CONT3P025024V	CONTACTOR 25 AMP, 3P, 24V (M5, M6, M7, M8, M9, M10, M11, M15, M16, M17)
42	CONT2P040024V	CONTACTOR 40 AMP, 2P, 24V (M1, M2, M3, M4, M12, M13, M14)
62	CAP050000370LA	CAPACITOR 5/370V (M5, M6, M7, M8, M9, M10, M11, M15, M16, M17)
62	CAP050450440CT	CAPACITOR 5/45/440V/DUAL RD (M1, M2, M3, M4, M12, M13, M14)
72	0130M00038	TERMINAL BOARD
NS	20520901	CAPACITOR STRAP
NS	0259L00179	HARNESS, ECONOMIZER
NS	0259L00179	HARNESS, ECONOMIZER
NS	0259L00125	HARNESS, WIRING
NS	0130M00127	MOTOR POWER HARNESS
NS	0259L00054	WIRING HARNESS
NS	0259L00066	WIRING HARNESS
NS	0259L00069	WIRING HARNESS
NS	0130M00126	X-13 LOW VOLTAGE WIRE HARNESS

Expanded Model Nomenclature

M1 - DTG0480901DVSXAA
M2 - DTG0480901DXSXAA
M3 - DTG0480901DXXAAA
M4 - DTG0480901DXXXAA
M5 - DTG0480903DHDAAA
M6 - DTG0480903DJXAAA
M7 - DTG0480903DJXCAA
M8 - DTG0480903DVXHAA
M9 - DTG0480903DVXMAA
M10 - DTG0480903DWXAAA
M11 - DTG0480903DXXXAA
M12 - DTG0481151DXDXAA
M13 - DTG0481151DXSXAA
M14 - DTG0481151DXXXAA
M15 - DTG0481153DADXAA
M16 - DTG0481153DAKAAA
M17 - DTG0481153DXXXAA

Heat Exchanger Assembly



Heat Exchanger Assembly

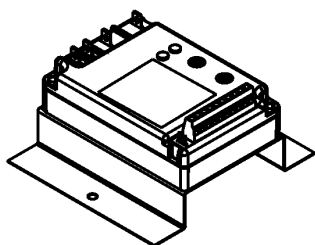
Ref. Part No:	Description:	Ref. Part No:	Description:
Image 1:		Expanded Model Nomenclature	
11	0270L00682 PART/TUBE ASSY (M3, M4)	M1	- DTG0480901DVSXAA
11	0270L00683 PART/TUBE ASSY (M12, M14)	M2	- DTG0480901DXSXAA
11	0270L00686 PART/TUBE ASSY (M1, M2)	M3	- DTG0480901DXXAAA
11	0270L00687 PART/TUBE ASSY (M13)	M4	- DTG0480901DXXXAA
11	0270L00092 PART/TUBE ASSY 4B (M5, M6, M7, M8, M9, M10, M11)	M5	- DTG0480903DHDAAA
11	0270L00110 PART/TUBE ASSY 5B (M15, M17)	M6	- DTG0480903DJXAAA
11	0270L00111 PART/TUBE ASSY 5B (M16)	M7	- DTG0480903DJXCAA
21	0121L00277 FLUE CHANNEL	M8	- DTG0480903DVXHAA
31	0121L00278 FLUE SIDE COVER	M9	- DTG0480903DVXMAA
41	0121F00467 ORIFICE BRACKET-BURNER 4 (M1, M2, M3, M4)	M10	- DTG0480903DWWAAA
41	0121F00466 ORIFICE BRACKET-BURNER 5 (M12, M13, M14)	M11	- DTG0480903DXXXAA
41	11072203 ORIFICE SHIELD (M5, M6, M7, M8, M9, M10, M11)	M12	- DTG0481151DXDXAA
41	11072204 ORIFICE SHIELD (M15, M16, M17)	M13	- DTG0481151DXSXAA
61	20261709 IGNITOR	M14	- DTG0481151DXXXAA
71	0121L00053 FLAME ROLLOUT BRACKET	M15	- DTG0481153DADXAA
81	0121L01361 BURNER BRACKET 4B (M1, M2, M3, M4)	M16	- DTG0481153DAKAAA
81	20190412 BURNER BRACKET 4B (M5, M6, M7, M8, M9, M10, M11)	M17	- DTG0481153DXXXAA
81	0121L01362 BURNER BRACKET 5B (M12, M13, M14)		
81	20190413 BURNER BRACKET 5B (M15, M16, M17)		
91	0151F00000P GAS VALVE - WHITE-RODGERS 2-STAGE		
101	0163L00026 MANIFOLD-GAS 4 BURNER (M1, M2, M3, M4, M5, M6, M7, M8, M9, M10, M11)		
101	0163L00029 MANIFOLD-GAS, 5 BURNER (M12, M13, M14, M15, M16, M17)		
111	0163F00018 ORIFICE (QTY 4)		
121	0163F00017 BECKETT BURNER (M1, M2, M3, M4, M12, M13, M14)		
121	10735102 BECKETT BURNER (M5, M6, M7, M8, M9, M10, M11, M15, M16, M17)		
131	0130F00010 FLAME SENSOR		
141	10123532 MANUAL RESET LIMIT 350°F		
151	0131M00121 ID COMBUSTION BLOWER		
161	0154L00020 ID BLOWER GASKET		
171	0121L00284 ID BLOWER PLATE 4 BRNR (M5, M6, M7, M8, M9, M10, M11)		
171	0121L01353 ID BLOWER PLATE 4 BRNR (M1, M2, M3, M4)		
171	0121L01354 ID BLOWER PLATE 5 BRNR (M12, M13, M14)		
171	0121L00318 ID BLOWER PLATE 6 BRNR (M15, M16, M17)		
181	0154L00018 ID BLOWER PLATE GASKET 4 BRNR (M1, M2, M3, M4, M5, M6, M7, M8, M9, M10, M11)		
181	0154L00017 ID BLOWER PLATE GASKET 6 BRNR (M12, M13, M14, M15, M16, M17)		
451	0121L02618 SUPPORT BRACKET		
461	0121L01576 SUPPORT BRACKET		
471	0121L02617 SUPPORT BRACKET		
601	11112501 SWITCH-PRESSURE		
NS	0121L00267 BURNER SLIDE BRACKET (M5, M6, M7, M8, M9, M10, M11, M15, M16, M17)		
NS	A3468601 PRESSURE SWITCH HOSE		
NS	0121L00268 RETAINER-BURNER ASSY (M15, M16, M17)		
NS	0163L00072 SCREEN-FLUE		

Accessory Parts List

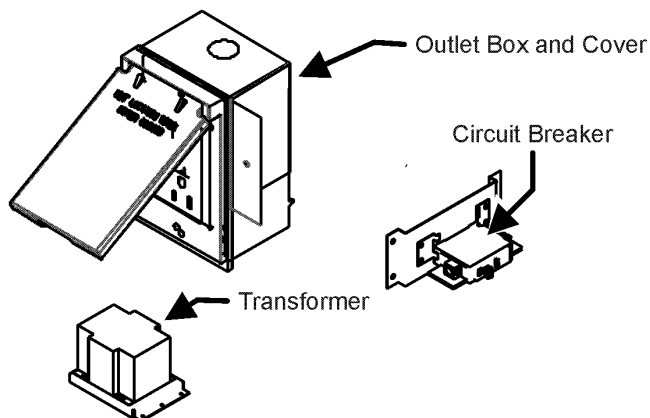
ACCESSORY PARTS LIST

NOTE: NOT ALL OPTIONS AVAILABLE FOR ALL PRODUCTS

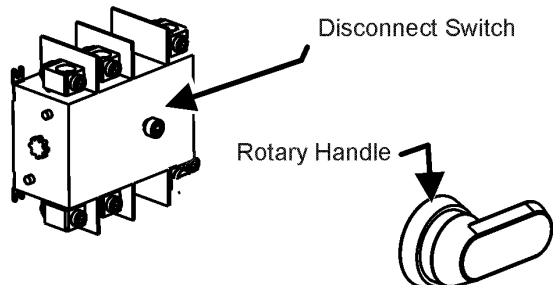
1 LOW AMBIENT KITS



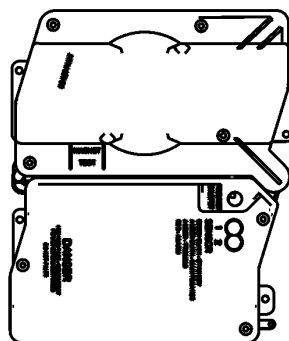
2 GFCI CONVENIENCE OUTLET



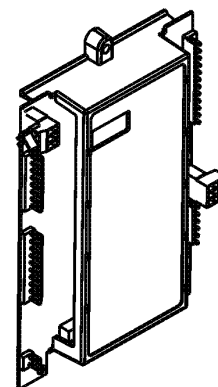
3 DISCONNECT MODULE (NON-FUSED)



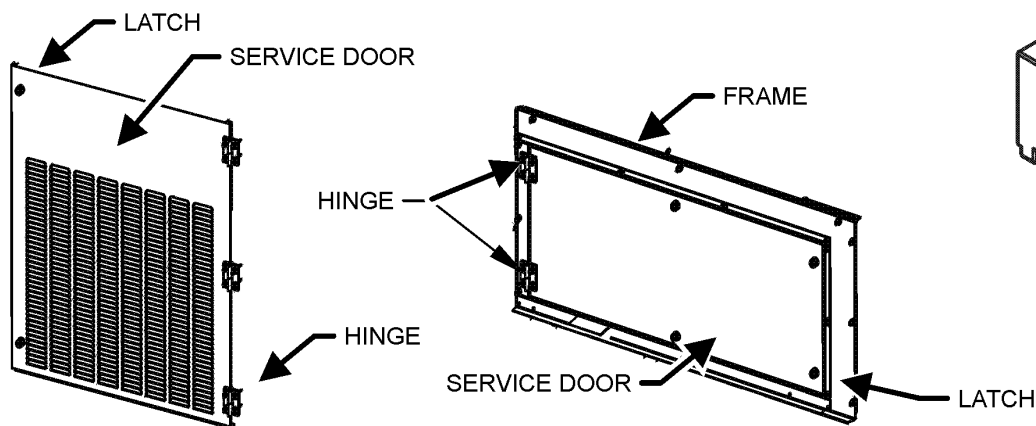
4 SMOKE DETECTORS



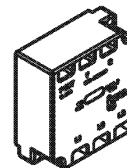
5 DDC CONTROL



6 HINGED DOOR ASSEMBLIES



7 PHASE MONITOR



Accessory Parts List

Ref. Part No:	Ref. Part No:	Description:	Description:
Image 1:			
NS 1036609C		3-6 TON DFLOW ECONOMIZER (M6, M7, M15, M16)	
NS DDNECNJ3672C		3-6 TON DFLOW ECONOMIZER (M1, M8, M9, M10)	
NS 0121L01934		BRACKET SMOKE DETECTOR (M8)	
NS 0121L00316		BRACKET-CONV OUTLET MOUNT (M3, M5, M6, M8, M9, M10, M16)	
NS 0121L00835		BRACKET-DISCONNECT SWITCH (M5, M6, M7, M10)	
NS 0130M00065		CIRCUIT BREAKER, CONVENIENCE OUTLET (M9)	
NS 0121L00837NG		DISCONNECT COVER (M5, M6, M7, M10)	
NS 0130L00012		GANG BOX-GFCI OUTLET (M3, M5, M6, M8, M9, M10, M16)	
NS 0130L00039		HANDLE, ROTARY (M5, M6, M7, M10)	
NS 0163M00307		HINGE, LEFT HAND (M5, M12, M15, M16)	
NS 0163M00308		HINGE, RIGHT HAND (M5, M12, M15, M16)	
NS 0163M00360		LATCH (M5, M12, M15, M16)	
NS 0130M00058		LOW AMBIENT KIT (M7, M9)	
NS 0121L02527NG		PNT, BLOWER DOOR BACK (M5, M12, M15, M16)	
NS 0121L02526NG		PNT, BLOWER DOOR FRONT (M5, M12, M15, M16)	
NS 0121L02509NG		PNT, BLOWER FRAME (M5, M12, M15, M16)	
NS 0161G00012		POWER OUTLET BOX (M3, M5, M6, M8, M9, M10, M16)	
NS 0130L00103		RECEPTACLE-GFCI OUTLET (M3, M5, M6, M8, M9, M10, M16)	
NS 0130L00042		SHAFT, CUT (M5, M6, M7, M10)	
NS 0130L00049		SHAFT, DISCONNECT (M5, M6, M7, M10)	
NS D4120		SMOKE DETECTOR, PHOTO 4WIRE (M8)	
NS 0130L00046		SWITCH-DISCONNECT 60A (M5, M6, M7, M10)	
NS 0130M00061		TRANSFORMER, CONVENIENCE OUTLET (M9)	

Expanded Model Nomenclature

- M1 - DTG0480901DVSXAA
- M2 - DTG0480901DXSXAA
- M3 - DTG0480901DXXAAA
- M4 - DTG0480901DXXXAA
- M5 - DTG0480903DHDAAA
- M6 - DTG0480903DJXAAA
- M7 - DTG0480903DJXCAA
- M8 - DTG0480903DVXHAA
- M9 - DTG0480903DVXMAA
- M10 - DTG0480903DWXAAA
- M11 - DTG0480903DXXXAA
- M12 - DTG0481151DXDXAA
- M13 - DTG0481151DXSXAA
- M14 - DTG0481151DXXXAA
- M15 - DTG0481153DADXAA
- M16 - DTG0481153DAKAAA
- M17 - DTG0481153DXXXAA