

Commercial High Efficient 3 Ton Direct Drive Package Gas Units

DTG0360451DXSXAA
DTG0360451DXXAAA
DTG0360451DXXXAA
DTG0360453DHKCAA
DTG0360453DHXAAA
DTG0360453DHBAAA
DTG0360453DJSBAA
DTG0360453DXXXAA
DTG0360901DAXXAA
DTG0360901DHXXAA
DTG0360901DVDXAA
DTG0360901DVSXAA
DTG0360901DXDXAA
DTG0360901DXKXAA
DTG0360901DXSCAA
DTG0360901DXSDAA
DTG0360901DXSXAA
DTG0360901DXXXAA
DTG0360903DAXXAA
DTG0360903DHDAAA
DTG0360903DHFCAA
DTG0360903DHXXAA
DTG0360903DWXAAA
DTG0360903DWXXAA
DTG0360903DXKXAA
DTG0360903DXSXAA
DTG0360903DXXBAA
DTG0360903DXXXAA



This manual is to be used by qualified technicians only.

This manual replaces RP-D1078H.

Important Information

Index

Functional Parts List	3
Illustration and Parts	4 - 15

Views shown are for parts illustrations only, not servicing procedures

Text Codes:

AR - As Required

NA - Not Available

NS - Not Shown

00000000 - See Note

QTY - Quantity Example (QTY 3) (If Quantity not shown, Quantity = 1)

M - Model Example (M1) (If M Code not shown, then part is used on all Models)

Expanded Model Nomenclature:

Example M1 - Model#1 M2 - Model#2 M3 - Model#3

Daikin Company, L.P. is not responsible for personal injury or property damage resulting from improper service. Review all service information before beginning repairs.

Warranty service must be performed by an authorized technician, using authorized factory parts. If service is required after the warranty expires, Daikin Company, L.P. also recommends contacting an authorized technician and using authorized factory parts.

Daikin Company, L.P. reserves the right to discontinue, or change at any time, specifications or designs without notice or without incurring obligations.

For assistance within the U.S.A. contact:

Equipment Support
Daikin North America, LLC
19001 Kermier Road
Waller, Texas 77484
855-770-5678-Telephone
713-863-2382-Facsimile

For assistance outside the U.S.A. contact:

International Division
Daikin North America, LLC
19001 Kermier Road
Waller, Texas 77484
713-861-2500-Telephone
713-863-2382-Facsimile

Functional Parts

Part No: **Description:**

Part No:	Description:	Expanded Model Nomenclature
0130M00025	24V RELAY	M1 - DTG0360451DXSXAA
20269903	AUXILIARY LIMIT, AUTO RESET (M9, M10, M11, M12, M13, M14, M15, M16, M17, M18)	M2 - DTG0360451DXXAAA
0163F00017	BECKETT BURNER (M1, M2, M3, M4, M9, M10, M11, M12, M13, M14, M15, M16, M17, M18)	M3 - DTG0360451DXXXAA
10735102	BECKETT BURNER (M5, M6, M7, M8, M19, M20, M21, M22, M23, M24, M25, M26, M27, M28)	M4 - DTG0360453DHKCAA
D6723303	BLOWER WHEEL	M5 - DTG0360453DHXAAA
CAP050000370LA	CAPACITOR 5/370V (M4, M5, M6, M7, M8, M19, M20, M21, M22, M23, M24, M25, M26, M27, M28)	M6 - DTG0360453DHBAAA
CAP050450440CT	CAPACITOR 5/45/440V/DUAL RD (M1, M2, M3, M9, M10, M11, M12, M13, M14, M15, M16, M17, M18)	M7 - DTG0360453DJSBAA
ZP29K5EPFV130	COMP.29000.208/230/60/1 (M1, M2, M3, M9, M10, M11, M12, M13, M14, M15, M16, M17, M18)	M8 - DTG0360453DXXXAA
ZP29K5ETF5130	COMP.29000.208/230/60/3 (M4, M5, M6, M7, M8, M19, M20, M21, M22, M23, M24, M25, M26, M27, M28)	M9 - DTG0360901DAXXAA
CONT3P025024V	CONTACTOR 25 AMP, 3P, 24V (M4, M5, M6, M7, M8, M19, M20, M21, M22, M23, M24, M25, M26, M27, M28)	M10 - DTG0360901DHHXAA
CONT2P040024V	CONTACTOR 40 AMP, 2P, 24V (M1, M2, M3, M9, M10, M11, M12, M13, M14, M15, M16, M17, M18)	M11 - DTG0360901DVDXAA
0130M00074	CUT-OUT SWITCH, HIGH PRESSURE	M12 - DTG0360901DVSXAA
0130M00087	CUT-OUT SWITCH, LOW PRESSURE	M13 - DTG0360901DXDXAA
0150G00004	FAN BLADE	M14 - DTG0360901DXKXAA
0130F00010	FLAME SENSOR	M15 - DTG0360901DXSCAA
0151F00000P	GAS VALVE (M9, M10, M11, M12, M13, M14, M15, M16, M17, M18, M19, M20, M21, M22, M23, M24, M25, M26, M27, M28)	M16 - DTG0360901DXSDAA
PCBAG123	IGNITION BOARD, DSI INTEGRATED	M17 - DTG0360901DXSXAA
20261709	IGNITOR	M18 - DTG0360901DXXXAA
0130M00064	LIMIT (M1, M2, M3, M4, M5, M6, M7, M8)	M19 - DTG0360903DAXXAA
10123532	LIMIT-RESET MAN-GRAY	M20 - DTG0360903DHDAAA
0131M00847	MOTOR, 1/4 HP, 1 SP, 6 PL (M1, M2, M3, M5, M6, M7, M8, M9, M10, M11, M12, M13, M14, M16, M17, M18, M19, M20, M22, M23, M24, M25, M26, M27, M28)	M21 - DTG0360903DHFCAA
0131L00061	Motor, Cond, 1/4 HP, 208/230V (M4, M15, M21)	M22 - DTG0360903DHHXAA
11112501	PRESSURE SWITCH (M1, M2, M3, M4, M5, M6, M7, M8, M9, M10, M11, M13, M18, M19, M20, M21, M22, M23, M24, M27, M28)	M23 - DTG0360903DWWAAA
20162907	PRIMARY LIMIT (M19, M20, M21, M22, M23, M24, M25, M26, M27, M28)	M24 - DTG0360903DWWXAA
0130F00036	PRIMARY LIMIT, 180, PINK (M1, M2, M3, M4)	M25 - DTG0360903DXKXAA
20162903	PRIMARY LIMIT, BLUE (M9, M10, M11, M12, M13, M14, M15, M16, M17, M18)	M26 - DTG0360903DXSXAA
20162904	PRIMARY LIMIT-TEMPERATURE CONTROL (M5, M6, M7, M8)	M27 - DTG0360903DXXBAA
20162905	PRIMARY LIMIT-YELLOW (M19, M20, M21, M22, M23, M24, M25, M26, M27, M28)	M28 - DTG0360903DXXXAA
0130M00038	TERMINAL BOARD	
0130M00138	TRANSFORMER 208/230, 24V	
0151M00013	VALVE, GAS (HW) SINGLE STAGE (M1, M2, M3, M4, M5, M6, M7, M8)	

Top Panel and Tubing Assembly

IMAGE 1

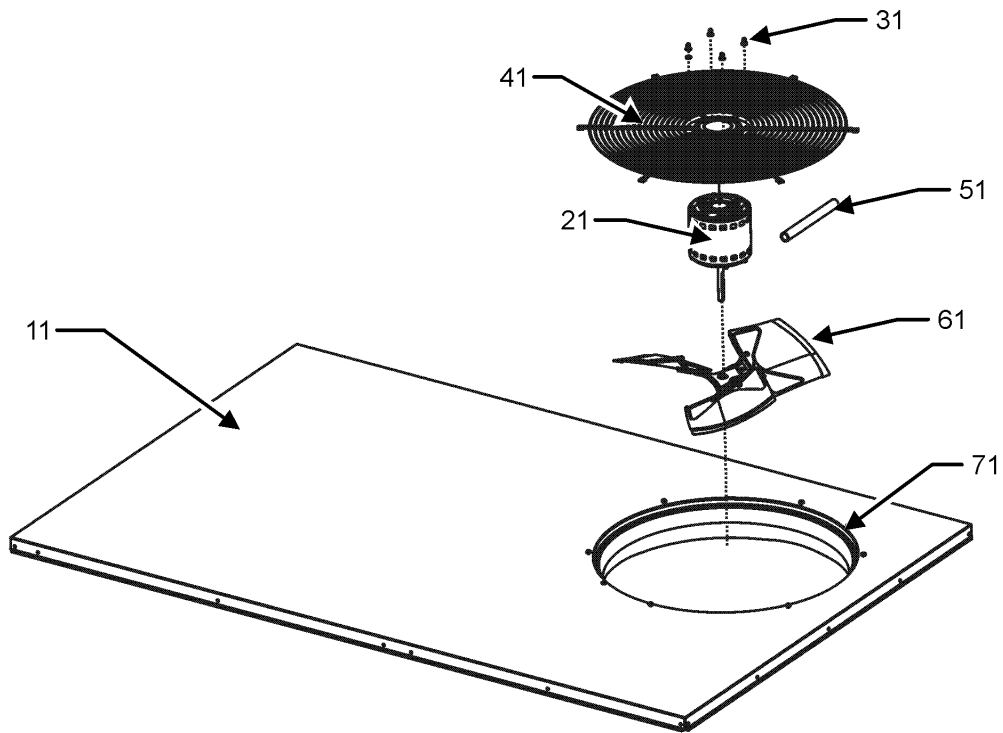
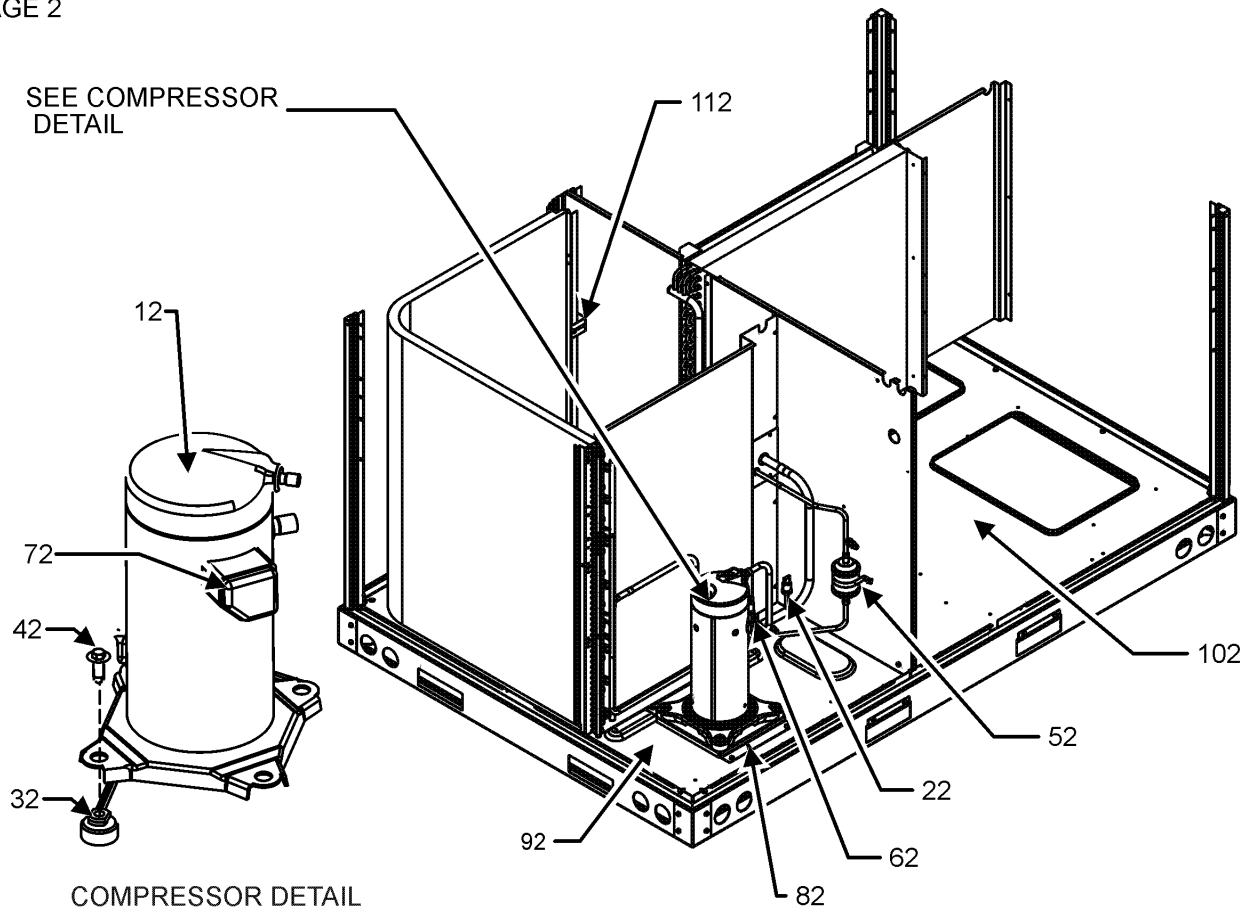


IMAGE 2



Top Panel and Tubing Assembly

Ref. Part No: No:	Description:	Ref. Part No: No:	Description:
Image 1:		Expanded Model Nomenclature	
11	0121L00235NG TOP PANEL	M1	- DTG0360451DXSXAA
21	0131M00847 MOTOR, 1/4 HP, 1 SP, 6 PL (M1, M2, M3, M5, M6, M7, M8, M9, M10, M11, M12, M13, M14, M16, M17, M18, M19, M20, M22, M23, M24, M25, M26, M27, M28)	M2	- DTG0360451DXXAAA
21	0131L00061 Motor, Cond, 1/4 HP, 208/230V (M4, M15, M21)	M3	- DTG0360451DXXXAA
31	0163M00006P ACORN NUT 5/16 HEX BLACK (QTY 4)	M4	- DTG0360453DHKCAA
41	0152G00003 FAN GRILLE (M1, M2, M3, M5, M6, M7, M8, M9, M10, M11, M12, M13, M14, M16, M17, M18, M19, M20, M22, M23, M24, M25, M26, M27, M28)	M5	- DTG0360453DHXAAA
41	0152G00000 FAN GRILLE, RAISED (M4, M15, M21)	M6	- DTG0360453DHBAAA
51	0161R00003P CONDUIT	M7	- DTG0360453DJSBAA
61	0150G00004 FAN BLADE	M8	- DTG0360453DXXXAA
71	0161L00000 VENTURI RING 22"	M9	- DTG0360901DAXXAA
NS	0163M00004 SCREW #10X3/4", BLACK (QTY 18)	M10	- DTG0360901DHXAAA
NS	0163M00005P WASHER, BLACK (.50 OD .218ID) (QTY 4)	M11	- DTG0360901DVXAAA
Image 2:		M12	- DTG0360901DVSXAA
12	ZP29K5EPFV130 COMP.29000.208/230/60/1 (M1, M2, M3, M9, M10, M11, M12, M13, M14, M15, M16, M17, M18)	M13	- DTG0360901DXDXAA
12	ZP29K5ETF5130 COMP.29000.208/230/60/3 (M4, M5, M6, M7, M8, M19, M20, M21, M22, M23, M24, M25, M26, M27, M28)	M14	- DTG0360901DXKXAA
22	0130M00087 CUT-OUT SWITCH, LOW PRESSURE	M15	- DTG0360901DXSAAA
32	B1339533 COMPRESSOR GROMMET (QTY 4)	M16	- DTG0360901DXSDAA
42	M0221641 TF SHOULDER SCREW (QTY 4)	M17	- DTG0360901DXSXAA
52	0162R00009 FILTER DRIER	M18	- DTG0360901DXXXAA
62	0130M00074 CUT-OUT SWITCH, HIGH PRESSURE	M19	- DTG0360903DAXXAA
72	0159L00027 COMPRESSOR SCROLL HARNESS (M1, M2, M3, M9, M10, M11, M12, M13, M14, M15, M16, M17, M27, M28)	M20	- DTG0360903DHDAAA
72	0159L00065 COMPRESSOR SCROLL HARNESS (M4, M5, M6, M7, M8, M19, M20, M21, M22, M23, M24, M25, M26, M27, M28)	M21	- DTG0360903DHFAAA
82	0121L00310 COMPRESSOR MOUNTING PLATE	M22	- DTG0360903DHXAAA
92	0121L01990 BASE PAN-OUTDOOR	M23	- DTG0360903DWXAAA
102	0121L02619 BASE PAN, INDOOR	M24	- DTG0360903DWXXAA
112	0121L00936 BRACKET-HAIRPIN END	M25	- DTG0360903DXKXAA
NS	B1373315 ACCESS FITTING (QTY 2)	M26	- DTG0360903DXSXAA
		M27	- DTG0360903DXXBAA
		M28	- DTG0360903DXXXAA

Cabinet Assembly

IMAGE 1

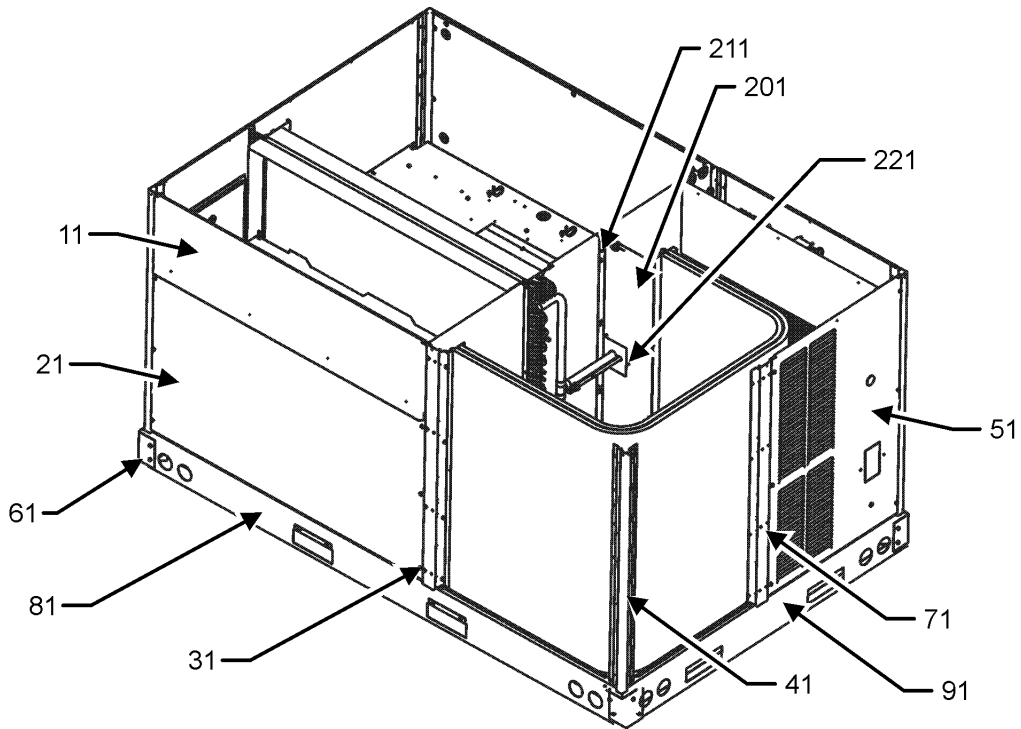
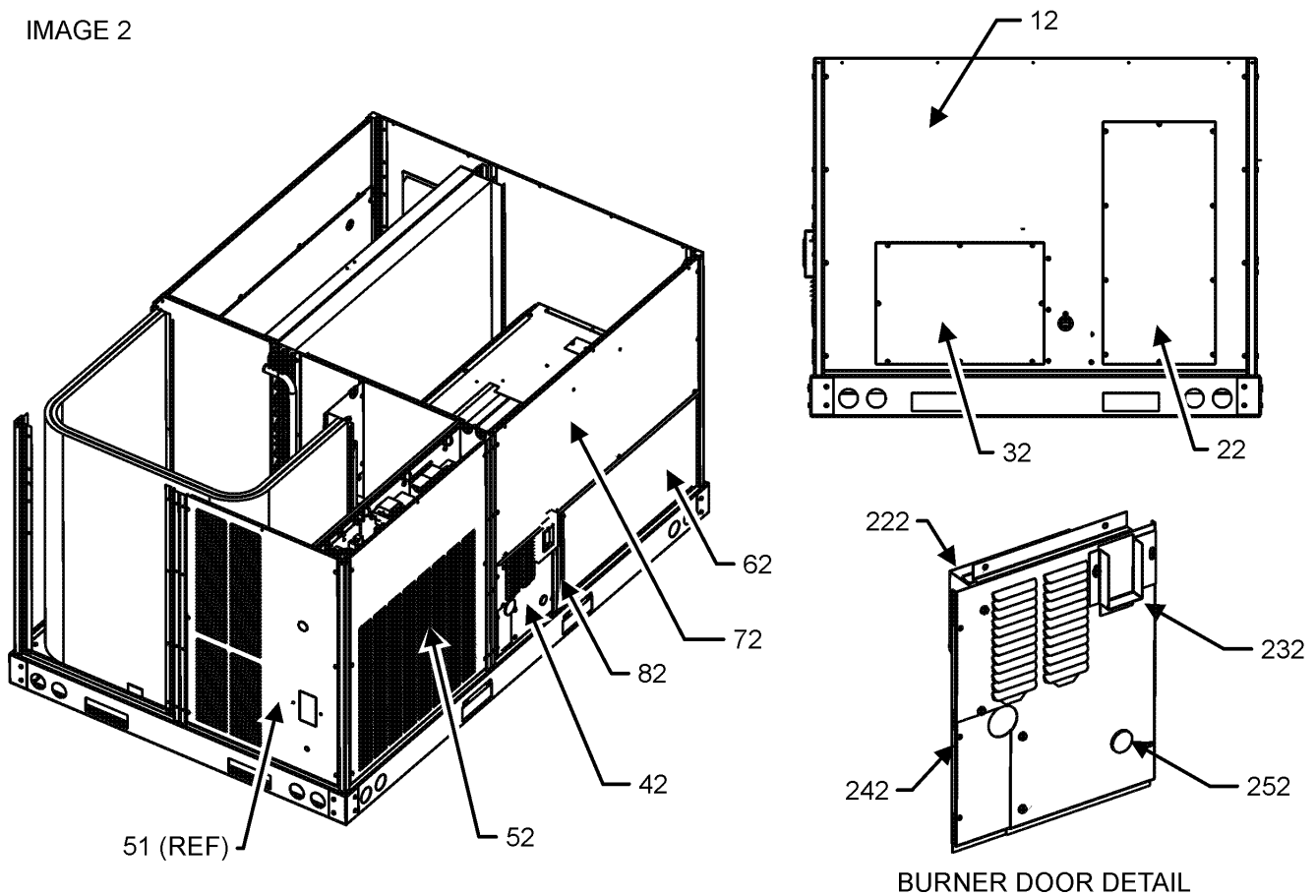


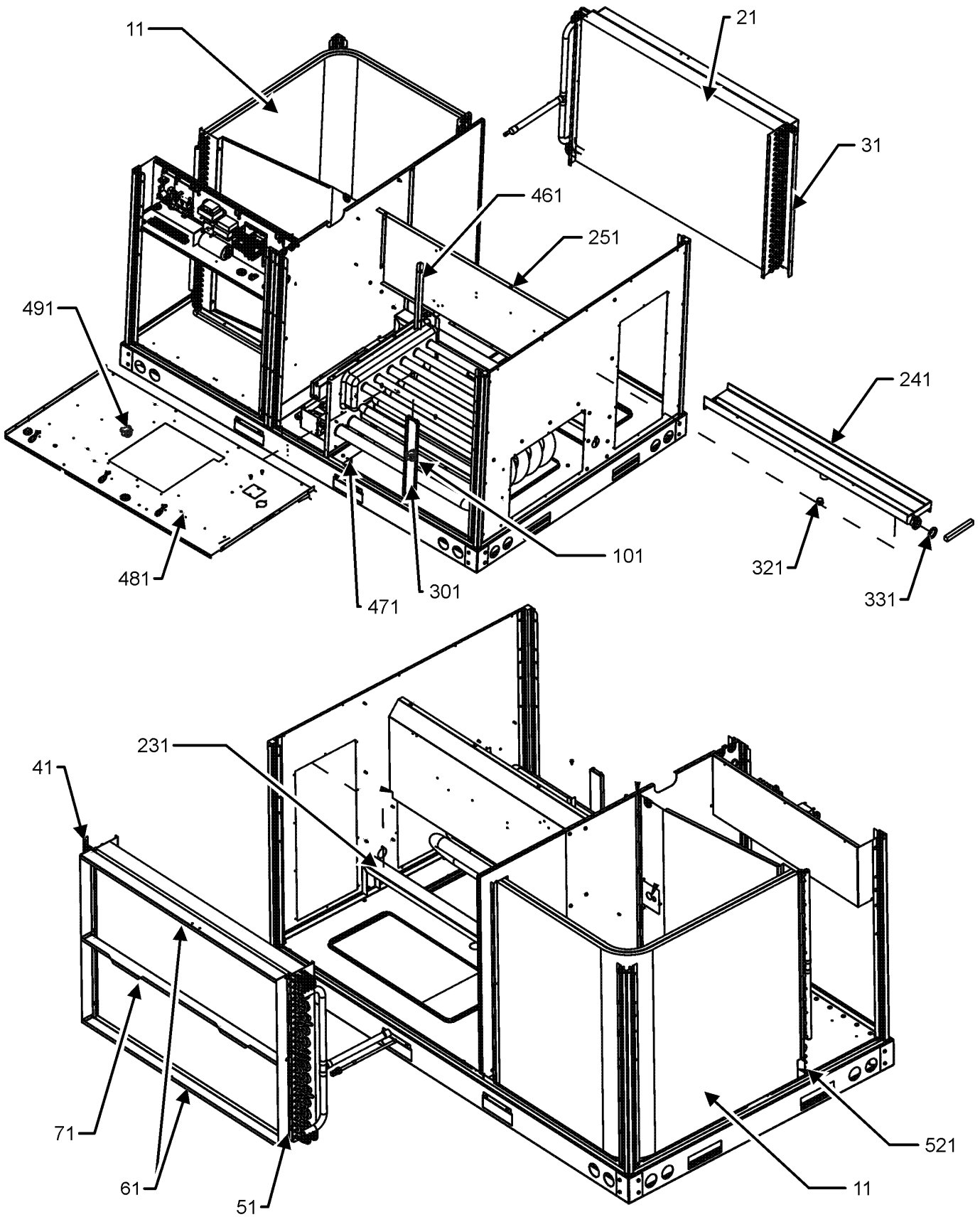
IMAGE 2



Cabinet Assembly

Ref. Part No:	Ref. Part No:	Description:	Description:
Image 1:		Expanded Model Nomenclature	
11	0270L00362NG	FILTER DOOR	M1 - DTG0360451DXSXAA
21	0121L00976NG	ECONOMIZER DOOR (M1, M2, M3, M4, M5, M6, M8, M10, M11, M12, M13, M14, M15, M16, M17, M18, M20, M21, M22, M23, M24, M25, M26, M27, M28)	M2 - DTG0360451DXXAAA
31	0121L00233RFNG	POST-SIDE SUPPORT (QTY 2)	M3 - DTG0360451DXXXAA
41	0121L00237RFNG	Painted Roll F, Post Corner (QTY 4)	M4 - DTG0360453DHKCAA
41	0121L02553RFNG	ROLL FORMED, CORNER POST (M4, M11, M13, M14, M20, M25)	M5 - DTG0360453DHXAAA
51	0121L00263NG	LOUVERED COMPRESSOR PANEL (M1, M2, M3, M8, M9, M11, M12, M13, M14, M15, M16, M17, M18, M19, M25, M26, M27, M28)	M6 - DTG0360453DHXBAA
51	0121L00836NG	LOUVERED COMPRESSOR PANEL (M4, M5, M6, M7, M10, M20, M21, M22, M23, M24)	M7 - DTG0360453DJSBAA
61	0121G00301	RAIL CORNER BRACKET (QTY 4)	M8 - DTG0360453DXXXAA
71	0121L01159RFNG	POST-SIDE SUPPORT (M1, M2, M3, M5, M6, M7, M8, M9, M10, M12, M15, M16, M17, M18, M19, M21, M22, M23, M24, M26, M27, M28)	M9 - DTG0360901DAXXAA
71	0121L01374RFNG	POST-SIDE SUPPORT (M4, M11, M13, M14, M20, M25)	M10 - DTG0360901DHXXAA
81	0121L00244RF	SIDE RAIL (QTY 2)	M11 - DTG0360901DVDXAA
91	0121L00245	END RAIL	M12 - DTG0360901DVSXAA
201	0121L00882	BLOCKOFF-CONDENSER	M13 - DTG0360901DXDXAA
211	0121L00254	COND MOUNTING ANGLE	M14 - DTG0360901DXKXAA
221	0121L00939	CONDENSER BLOCKOFF PLATE	M15 - DTG0360901DXSCAA
NS	0121L01309	ECONOMIZER COVER (M7, M9, M19)	M16 - DTG0360901DXSDAA
NS	0121L02655	END RAIL	M17 - DTG0360901DXSXAA
NS	0164L00009	GASKET-RUBBER, CPOST (QTY 3)	M18 - DTG0360901DXXXAA
NS	0164L00011	GASKET-RUBBER, SIDE POST (QTY 3)	M19 - DTG0360903DAXXAA
Image 2:			
12	0121L00236NG	DUCT PANEL	M20 - DTG0360903DHDAAA
22	0121L00023NG	RETURN DUCT COVER	M21 - DTG0360903DHXFAA
32	0121L00024NG	SUPPLY DUCT COVER	M22 - DTG0360903DHXXAA
42	0121L01438NG	BURNER DOOR	M23 - DTG0360903DWXAAA
52	0121L01121NG	CONTROL PANEL W/LOUVERS (M1, M2, M3, M5, M6, M7, M8, M9, M10, M12, M15, M16, M17, M18, M19, M21, M22, M23, M24, M26, M27, M28)	M24 - DTG0360903DWXXAA
52	0121L02551NG	PNT, CONTROL DOOR (M4, M11, M13, M14, M20, M25)	M25 - DTG0360903DXKXAA
62	0121L01108NG	HEAT EXCHANGER DOOR	M26 - DTG0360903DXSXAA
72	0121L01157NG	BLOWER DOOR	M27 - DTG0360903DXXBAA
82	0121L01110RFNG	POST-BURNER	M28 - DTG0360903DXXXAA
222	0121L01439	RAIN SHIELD DOOR	
232	0121L01440NG	FLUE COLLAR	
242	0121L01441NG	BURNER DOOR PANEL	
252	B1392139	VIEW PORT BU SHING, CLEAR 1.00	
NS	0141L00003X	FORK BOARD (QTY 2)	
NS	0121L00055	FORK BOARD BRACKET (QTY 4)	
NS	B1910010	GAS LINE GROMMET	

Partition Assembly



Partition Assembly

Ref. Part No:	No:	Description:	Ref. Part No:	No:	Description:
Image 1:			Expanded Model Nomenclature		
11	0201L00141	TUBING ASSY, COND COIL	M1	-	DTG0360451DXSXAA
21	0202L00141	EVAPORATOR COIL TUBING ASSY	M2	-	DTG0360451DXXAAA
31	0121L00252	BLOCKOFF-EVAPORATOR (M1, M2, M3, M4, M5, M6, M7, M8, M9, M10, M11, M12, M13, M14, M15, M17, M18, M19, M20, M21, M22, M23, M24, M25, M26, M27, M28)	M3	-	DTG0360451DXXXAA
31	0121L00337	BLOCKOFF-EVAPORATOR (M16)	M4	-	DTG0360453DHKCAA
41	0121L00303	FILTER ANGLE-VERTICAL (HAIRPIN SIDE)	M5	-	DTG0360453DHXAAA
51	0121L00287	FILTER ANGLE-VERTICAL (RETURN SIDE)	M6	-	DTG0360453DHXBAA
61	0121L00932	FILTER ANGLE-HORIZONTAL (QTY 2)	M7	-	DTG0360453DJSBAA
71	0121L01255	ANGLE-FILTER CENTER	M8	-	DTG0360453DXXXAA
101	20162907	PRIMARY LIMIT (M19, M20, M21, M22, M23, M24, M25, M26, M27, M28)	M9	-	DTG0360901DAXXAA
231	0121L00238	DRAIN PAN SUPPORT	M10	-	DTG0360901DHXXAA
241	0161L00005	DRAIN PAN	M11	-	DTG0360901DVDXAA
251	0121L02123	DECK SIDE CHANNEL	M12	-	DTG0360901DVSXAA
301	0121L00300	POST-DECK SUPPORT	M13	-	DTG0360901DXDXAA
321	0163L00071	DRAIN PLUG	M14	-	DTG0360901DXKXAA
331	0154L00009	DRAIN PAN GASKET	M15	-	DTG0360901DXSCAA
461	0121L00293	ANGLE-HEAT EXCHANGER BACK (QTY 2)	M16	-	DTG0360901DXSDAA
471	0121L00266	HEAT PANEL CHANNEL (QTY 2)	M17	-	DTG0360901DXSXAA
481	0121L03396	DECK-BLOWER	M18	-	DTG0360901DXXXAA
491	0130F00036	PRIMARY LIMIT, 180, PINK (M1, M2, M3, M4)	M19	-	DTG0360903DAXXAA
491	20162903	PRIMARY LIMIT, BLUE (M9, M10, M11, M12, M13, M14, M15, M16, M17, M18)	M20	-	DTG0360903DHDAAA
491	20162904	PRIMARY LIMIT-TEMPERATURE CONTROL (M5, M6, M7, M8)	M21	-	DTG0360903DHFCAA
521	0121L00937	BRACKET-COND TIE DOWN	M22	-	DTG0360903DHXXAA
NS	0160L00173	AIR FILTER 14 X 20 X 2 (QTY 4)	M23	-	DTG0360903DWWAAA
NS	0121L01377	BLOWER DECK SUPPORT (M4, M11, M13, M14, M20, M25)	M24	-	DTG0360903DWXXAA
NS	A4568804	GROMMET-D (QTY 4)	M25	-	DTG0360903DXKXAA
NS	0121L00321	SMOKE DETECTOR COVER	M26	-	DTG0360903DXSXAA
			M27	-	DTG0360903DXXBAA
			M28	-	DTG0360903DXXXAA

Blower and Control Box Assembly

IMAGE 1

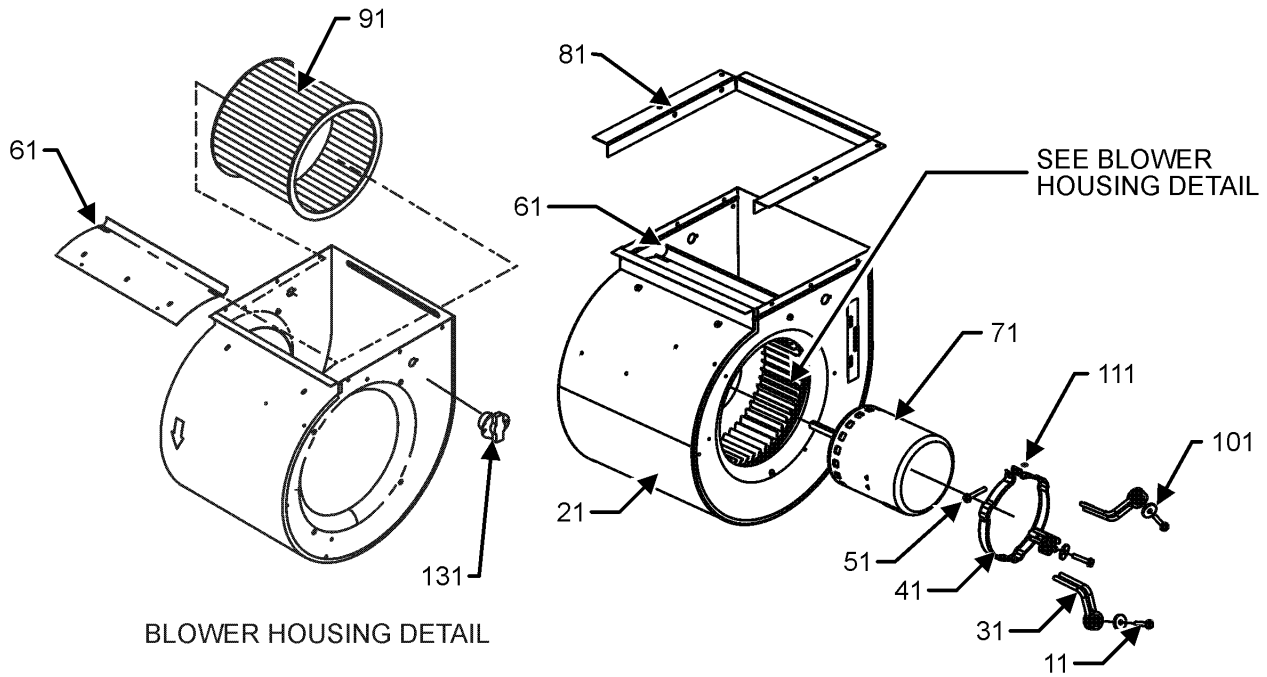
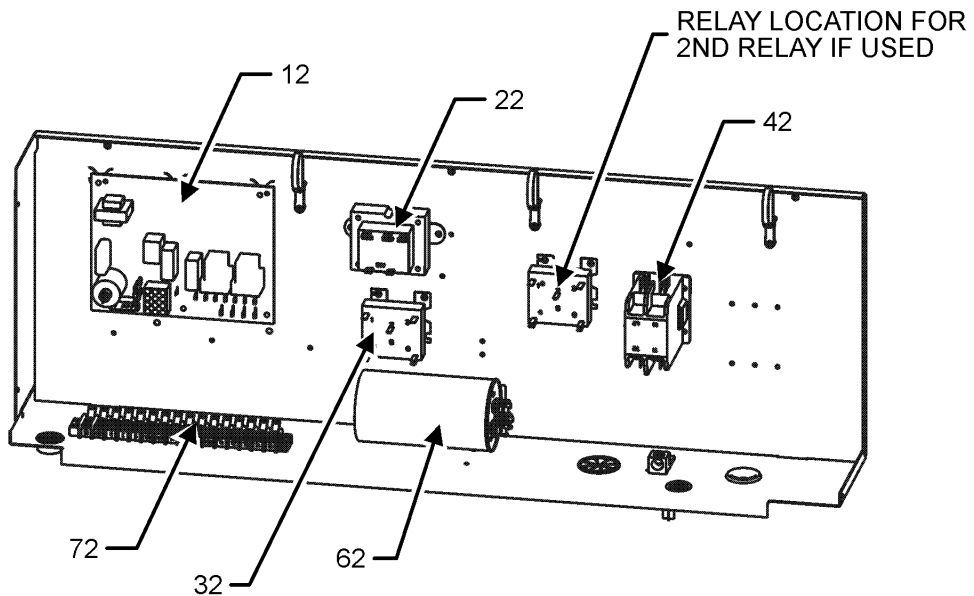


IMAGE 2



Blower and Control Box Assembly

Ref. Part

No: No: Description:

Image 1:

11	M0250565	TC SCREW 1.25" (QTY 3)
21	11185817	HSG WELD-BLWR FUR
31	B1376853	MOUNT ARM, MOTOR, A36-42 (QTY 3)
41	0121M00038	MOUNT BAND, MOTOR
51	B1393323	SCREW,MACH HWH 1/4-20X1 1/2 BZ
61	C6121806	BLOWER CUT-OFF
71	0131M00816	MOTOR, 1/2HP PROGRAMMED SELEC
81	0121L00308	BLOWER MOUNTING ANGLE
91	D6723303	BLOWER WHEEL
101	B1392918	WASHER, FLAT 1/4 ID X 1 OD (QTY 4)
111	B1393800	LOCKNUT, NYLON, INSERT 1/420
131	20269903	AUXILIARY LIMIT, AUTO RESET (M9, M10, M11, M12, M13, M14, M15, M16, M17, M18)
131	0130M00064	LIMIT (M1, M2, M3, M4, M5, M6, M7, M8)
131	20162905	PRIMARY LIMIT-YELLOW (M19, M20, M21, M22, M23, M24, M25, M26, M27, M28)

Image 2:

12	PCBAG123	IGNITION BOARD, DSI INTEGRATED
22	0130M00138	TRANSFORMER 208/230, 24V
32	0130M00025	24V RELAY
42	CONT3P025024V	CONTACTOR 25 AMP, 3P, 24V (M4, M5, M6, M7, M8, M19, M20, M21, M22, M23, M24, M25, M26, M27, M28)
42	CONT2P040024V	CONTACTOR 40 AMP, 2P, 24V (M1, M2, M3, M9, M10, M11, M12, M13, M14, M15, M16, M17, M18)
62	CAP050000370LA	CAPACITOR 5/370V (M4, M5, M6, M7, M8, M19, M20, M21, M22, M23, M24, M25, M26, M27, M28)
62	CAP050450440CT	CAPACITOR 5/45/440V/DUAL RD (M1, M2, M3, M9, M10, M11, M12, M13, M14, M15, M16, M17,
72	0130M00038	TERMINAL BOARD
NS	20520901	CAPACITOR STRAP
NS	0259L00179	HARNESS, ECONOMIZER
NS	0259L00125	HARNESS, WIRING
NS	0130M00127	MOTOR POWER HARNESS
NS	0259L00091	WIRE HARNESS-SMOKE DETECTOR (M16)
NS	0259L00054	WIRING HARNESS
NS	0259L00066	WIRING HARNESS
NS	0259L00069	WIRING HARNESS (M9, M10, M11, M12, M13, M14, M15, M16, M17, M18, M19, M20, M21, M22, M23, M24, M25, M26, M27, M28)
NS	0259L00070	WIRING HARNESS (M4, M15, M21)
NS	0130M00126	X-13 LOW VOLTAGE WIRE HARNESS

Ref. Part

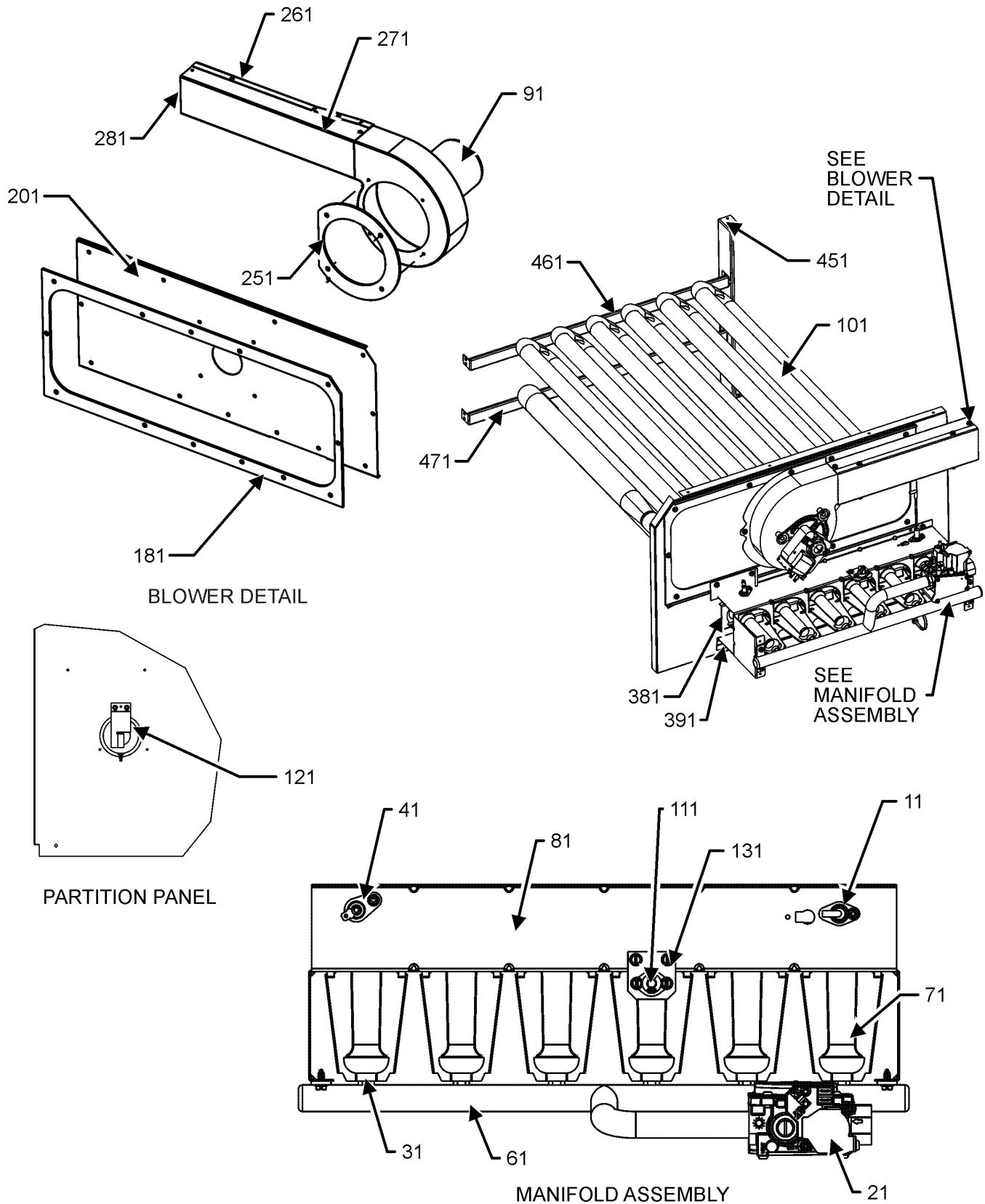
No: No: Description:

Expanded Model Nomenclature

M1 - DTG0360451DXSXAA
M2 - DTG0360451DXXAAA
M3 - DTG0360451DXXXAA
M4 - DTG0360453DHKCAA
M5 - DTG0360453DHXAAA
M6 - DTG0360453DHXBAA
M7 - DTG0360453DJSBAA
M8 - DTG0360453DXXXAA
M9 - DTG0360901DAXXAA
M10 - DTG0360901DHXXAA
M11 - DTG0360901DVDXAA
M12 - DTG0360901DV SXAA
M13 - DTG0360901DXDXAA
M14 - DTG0360901DXKXAA
M15 - DTG0360901DXSCAA
M16 - DTG0360901DXSDAA
M17 - DTG0360901DXSXAA
M18 - DTG0360901DXXXAA
M19 - DTG0360903DAXXAA
M20 - DTG0360903DHDAAA
M21 - DTG0360903DHFCAA
M22 - DTG0360903DHXXAA
M23 - DTG0360903DWXAAA
M24 - DTG0360903DWXXAA
M25 - DTG0360903DXKXAA
M26 - DTG0360903DXSXAA
M27 - DTG0360903DXXBAA
M28 - DTG0360903DXXXAA

Heat Exchanger Assembly

HEAT EXCHANGE ASSEMBLY



Heat Exchanger Assembly

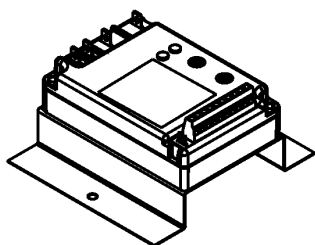
Ref. Part No:	Description:	Ref. Part No:	Description:
Image 1:		Image 1:	
11	20261709 IGNITOR	391	0121L00267 BRACKET-BURNER SLIDE (M5, M6, M7, M8, M19, M20, M21, M22, M23, M24, M27, M28)
21	0151F00000P GAS VALVE (M9, M10, M11, M12, M13, M14, M15, M16, M17, M18, M19, M20, M21, M22, M23, M24, M25, M26, M27, M28)	451	0121L02618 SUPPORT BRACKET (M1, M2, M3, M4, M5, M6, M7, M8, M9, M10, M11, M13, M18, M19, M20, M21, M22, M23, M24, M27, M28)
21	0151M00013 VALVE, GAS (HW) SINGLE STAGE (M1, M2, M3, M4, M5, M6, M7, M8)	461	0121L01576 SUPPORT BRACKET
31	0163F00018 ORIFICE (QTY 2)	471	0121L02617 SUPPORT BRACKET
41	0130F00010 FLAME SENSOR	NS	0121F00469 ORIFICE BURNER BRACKET 2B (M1, M2, M3, M4)
61	0163L00027 MANIFOLD-GAS 2 BURNER (M1, M2, M3, M4, M5, M6, M7, M8)	NS	0121F00467 ORIFICE BURNER BRACKET 4B (M9, M10, M11, M12, M13, M14, M15, M16, M17, M18)
61	0163L00026 MANIFOLD-GAS 4 BURNER (M9, M10, M11, M12, M13, M14, M15, M16, M17, M18, M19, M20, M21, M22, M23, M24, M25, M26, M27, M28)	NS	A3468601 PRESSURE SWITCH HOSE
71	0163F00017 BECKETT BURNER (M1, M2, M3, M4, M9, M10, M11, M12, M13, M14, M15, M16, M17, M18)	Expanded Model Nomenclature	
71	10735102 BECKETT BURNER (M5, M6, M7, M8, M19, M20, M21, M22, M23, M24, M25, M26, M27, M28)	<div style="border: 1px solid black; padding: 5px;"> M1 - DTG0360451DXSXAA M2 - DTG0360451DXXAAA M3 - DTG0360451DXXXAA M4 - DTG0360453DHKCAA M5 - DTG0360453DHXAAA M6 - DTG0360453DHXBAA M7 - DTG0360453DJSBAA M8 - DTG0360453DXXXAA M9 - DTG0360901DAXXAA M10 - DTG0360901DHXXAA M11 - DTG0360901DVDXAA M12 - DTG0360901DV SXAA M13 - DTG0360901DXDXAA M14 - DTG0360901DXKXAA M15 - DTG0360901DXSCAA M16 - DTG0360901DXSDAA M17 - DTG0360901DXSXAA M18 - DTG0360901DXXXAA M19 - DTG0360903DAXXAA M20 - DTG0360903DHDAAA M21 - DTG0360903DHFCAA M22 - DTG0360903DHHXAA M23 - DTG0360903DWWXAA M24 - DTG0360903DWWXAA M25 - DTG0360903DXKXAA M26 - DTG0360903DXSXAA M27 - DTG0360903DXXBAA M28 - DTG0360903DXXXAA </div>	
81	0121L01360 BURNER BRACKET 2B (M1, M2, M3, M4)		
81	20190410 BURNER BRACKET 2B (M5, M6, M7, M8)		
81	0121L01361 BURNER BRACKET 4B (M9, M10, M11, M12, M13, M14, M15, M16, M17, M18)		
81	20190412 BURNER BRACKET 4B (M19, M20, M21, M22, M23, M24, M25, M26, M27, M28)		
91	0131M00121 BLOWER-ID COMBUSTION		
101	0270L00681 PART/TUBE ASSY (M2, M3)		
101	0270L00682 PART/TUBE ASSY (M9, M10, M11, M13, M18)		
101	0270L00685 PART/TUBE ASSY (M1, M4)		
101	0270L00686 PART/TUBE ASSY (M12, M14, M15, M16, M17)		
101	0270L00099 PART/TUBE ASSY 2B (M5, M6, M8)		
101	0270L00106 PART/TUBE ASSY 2B (M7)		
101	0270L00106 PART/TUBE ASSY 2B (M7)		
101	0270L00092 PART/TUBE ASSY 4B (M19, M20, M21, M22, M23, M24, M27, M28)		
101	0270L00105 PART/TUBE ASSY, 4B (M25, M26)		
111	10123532 LIMIT-RESET MAN-GRAY		
121	11112501 PRESSURE SWITCH (M1, M2, M3, M4, M5, M6, M7, M8, M9, M10, M11, M13, M18, M19, M20, M21, M22, M23, M24, M27, M28)		
131	0121L00053 BRACKET-FLAME ROLLOUT		
181	0154L00018 GASKET- ID BLOWER PLATE 2,4		
201	0121L00285 ID BLOWER PLATE 2 BRNR (M5, M6, M7, M8)		
201	0121L00284 ID BLOWER PLATE 4 BRNR (M19, M20, M21, M22, M23, M24, M25, M26, M27, M28)		
201	0121L01353 PLATE, ID BLOWER 4 (M9, M10, M11, M12, M13, M14, M15, M16, M17, M18)		
201	0121L01329 PLATE-ID BLOWER 2 (M1, M2, M3, M4)		
251	0154L00020 GASKET-ID BLOWER		
261	0121L00277 FLUE-CHANNEL		
271	0121L00278 FLUE-SIDE COVER		
281	0163L00072 SCREEEN-FLUE		
381	11072201 ORIFICE SHIELD (M5, M6, M7, M8)		
381	11072203 ORIFICE SHIELD (M19, M20, M21, M22, M23, M24, M27, M28)		

Accessory Parts List

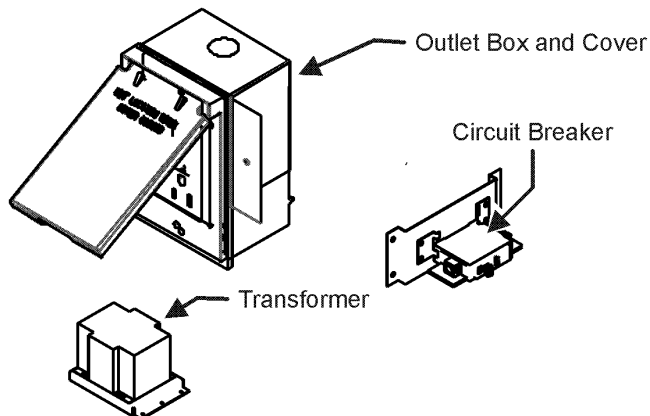
ACCESSORY PARTS LIST

NOTE: NOT ALL OPTIONS AVAILABLE FOR ALL PRODUCTS

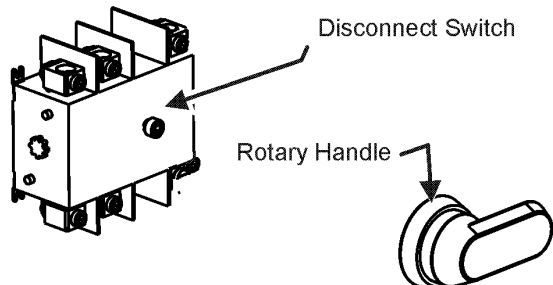
1 LOW AMBIENT KITS



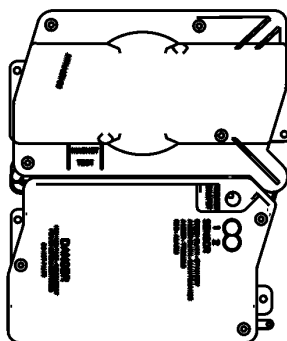
2 GFCI CONVENIENCE OUTLET



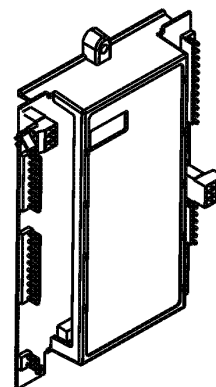
3 DISCONNECT MODULE (NON-FUSED)



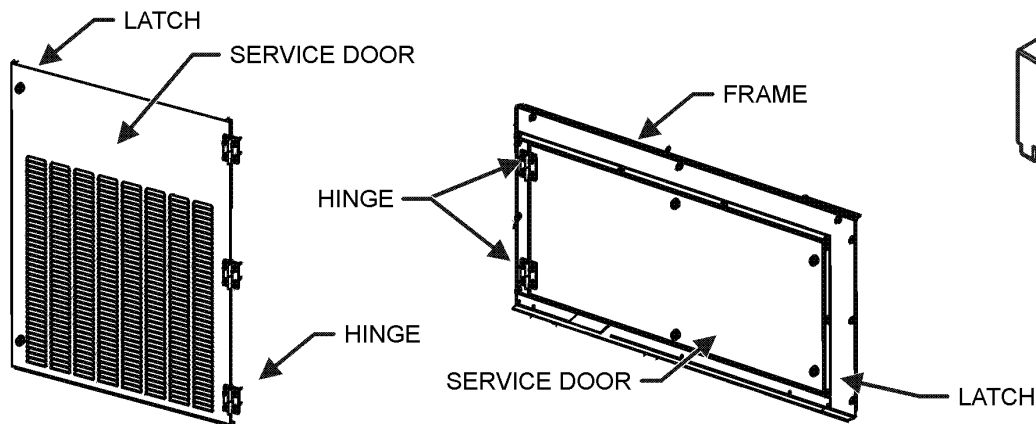
4 SMOKE DETECTORS



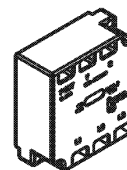
5 DDC CONTROL



6 HINGED DOOR ASSEMBLIES



7 PHASE MONITOR



Accessory Parts List

Ref. Part No:	Description:	Ref. Part No:	Description:
Image 1:		Expanded Model Nomenclature	
NS 1036609C	3-6 TON DFLOW ECONOMIZER (M7, M9, M19)	M1 - DTG0360451DXSXAA	
NS DDNECNJ3672C	3-6 TON DFLOW ECONOMIZER (M11, M12, M23, M24)	M2 - DTG0360451DXXAAA	
NS 0121L01934	BRACKET SMOKE DETECTOR (M16)	M3 - DTG0360451DXXXAA	
NS 0121L00316	BRACKET-CONV OUTLET MOUNT (M2, M5, M6, M7, M20, M21, M23, M27)	M4 - DTG0360453DHKCAA	
NS 0121L00835	BRACKET-DISCONNECT SWITCH (M4, M5, M6, M7, M10, M20, M21, M22, M23, M24)	M5 - DTG0360453DHXAAA	
NS 0121L01934	BRACKET-SMOKE DETECTOR (M16)	M6 - DTG0360453DHBAAA	
NS 0130M00065	CIRCUIT BREAKER, CONVENIENCE OUTLET (M6, M7, M27)	M7 - DTG0360453DJSBAA	
NS 0121L00837NG	DISCONNECT COVER (M4, M5, M6, M7, M10, M20, M21, M22, M23, M24)	M8 - DTG0360453DXXXAA	
NS 0130L00012	GANG BOX-GFCI OUTLET (M2, M5, M6, M7, M20, M21, M23, M27)	M9 - DTG0360901DAXXAA	
NS 0130L00039	HANDLE, ROTARY (M4, M5, M6, M7, M10, M20, M21, M22, M23, M24)	M10 - DTG0360901DHXXAA	
NS 0163M00307	HINGE, LEFT HAND (M4, M11, M13, M14, M20, M25)	M11 - DTG0360901DVDXAA	
NS 0163M00308	HINGE, RIGHT HAND (M4, M11, M13, M14, M20, M25)	M12 - DTG0360901DVSXAA	
NS 0163M00360	LATCH (M4, M11, M13, M14, M20, M25)	M13 - DTG0360901DXDXAA	
NS 0130M00058	LOW AMBIENT KIT (M4, M15, M21)	M14 - DTG0360901DXKXAA	
NS 0121L02527NG	PNT, BLOWER DOOR BACK (M4, M11, M13, M14, M20, M25)	M15 - DTG0360901DXSCAA	
NS 0121L02526NG	PNT, BLOWER DOOR FRONT (M4, M11, M13, M14, M20, M25)	M16 - DTG0360901DXSDAA	
NS 0121L02509NG	PNT, BLOWER FRAME (M4, M11, M13, M14, M20, M25)	M17 - DTG0360901DXSXAA	
NS 0161G00012	POWER OUTLET BOX (M2, M5, M6, M7, M20, M21, M23, M27)	M18 - DTG0360901DXXXAA	
NS 0130L00103	RECEPTACLE-GFCI OUTLET (M2, M5, M6, M7, M20, M21, M23, M27)	M19 - DTG0360903DAXXAA	
NS 0130L00042	SHAFT, CUT (M4, M5, M6, M7, M10, M20, M21, M22, M23, M24)	M20 - DTG0360903DHDAAA	
NS 0130L00049	SHAFT, DISCONNECT (M4, M5, M6, M7, M10, M20, M21, M22, M23, M24)	M21 - DTG0360903DHFCAA	
NS D4120	SMOKE DETECTOR, PHOTO 4WIRE (M16)	M22 - DTG0360903DHXXAA	
NS 0130L00046	SWITCH-DISCONNECT 60A (M4, M5, M6, M7, M10, M20, M21, M22, M23, M24)	M23 - DTG0360903DWXAAA	
NS 0130M00061	TRANSFORMER, CONVENIENCE OUTLET (M6, M7, M27)	M24 - DTG0360903DWXXAA	
		M25 - DTG0360903DXKXAA	
		M26 - DTG0360903DXSXAA	
		M27 - DTG0360903DXXBAA	
		M28 - DTG0360903DXXXAA	