

Commercial High Efficient 5 Ton Package Cooling Units

DTC0600151DVDBAA
DTC060XXX1DXDXAA
DTC060XXX1DXXXAA
DTC060XXX3DXDCAA
DTC060XXX3DXDXAA
DTC060XXX3DXXXAA



This manual is to be used by qualified technicians only.

This manual replaces RP-D1074D.

Important Information

Index

Functional Parts List	3
Illustration and Parts	4 - 13

Views shown are for parts illustrations only, not servicing procedures

Text Codes:

AR - As Required

NA - Not Available

NS - Not Shown

00000000 - See Note

QTY - Quantity Example (QTY 3) (If Quantity not shown, Quantity = 1)

M - Model Example (M1) (If M Code not shown, then part is used on all Models)

Expanded Model Nomenclature:

Example M1 - Model#1 M2 - Model#2 M3 - Model#3

Daikin Company, L.P. is not responsible for personal injury or property damage resulting from improper service. Review all service information before beginning repairs.

Warranty service must be performed by an authorized technician, using authorized factory parts. If service is required after the warranty expires, Daikin Company, L.P. also recommends contacting an authorized technician and using authorized factory parts.

Daikin Company, L.P. reserves the right to discontinue, or change at any time, specifications or designs without notice or without incurring obligations.

For assistance within the U.S.A. contact:

Equipment Support
Daikin North America, LLC
19001 Kermier Road
Waller, Texas 77484
855-770-5678-Telephone
713-863-2382-Facsimile

For assistance outside the U.S.A. contact:

International Division
Daikin North America, LLC
19001 Kermier Road
Waller, Texas 77484
713-861-2500-Telephone
713-863-2382-Facsimile

Functional Parts

Part

No: Description:

B1368000	BLOWER WHEEL 11 X10
CAP100700440CT	CAP, 10/70 MFD/ 440V/ DUAL RD (M1, M2, M6)
CAP100000370LA	CAPACITOR 10/370V (M3, M4, M5)
ZP49K5ETF5130	COMP, 49000/208/230/60/3 (M3, M4, M5)
ZP49K5EPFV130	COMP, 49400, 208/230/60/1 (M1, M2, M6)
0131M00430	COND MOTOR 1/3 HP, 1 SP, 6 PL (M1, M2, M4, M5, M6)
CONT3P025024V	CONTACTOR 25 AMP, 3P, 24V (M3, M4, M5)
CONT2P040024V	CONTACTOR 40 AMP, 2P, 24V (M1, M2, M6)
0130M00074	CUT-OUT SWITCH, HIGH PRESSURE CUT-
0130M00087	OUT SWITCH, LOW PRESSURE
B1086765	FAN BLADE TYPE 3
0131L00064	MOTOR, COND, 1/3 HP, 208/230V (M3)
0131M00815	MOTOR-1HP PROGRAMMED SELECTECH
0130M00138	TRANSFORMER, 208/230, 24V

Expanded Model Nomenclature

M1 - DTC060XXX1DXDXAA
M2 - DTC060XXX1DXXXAA
M3 - DTC060XXX3DXDCAA
M4 - DTC060XXX3DXDXAA
M5 - DTC060XXX3DXXXAA
M6 - DTC0600151DVDBAA

Top Panel and Tubing Assembly

IMAGE 1

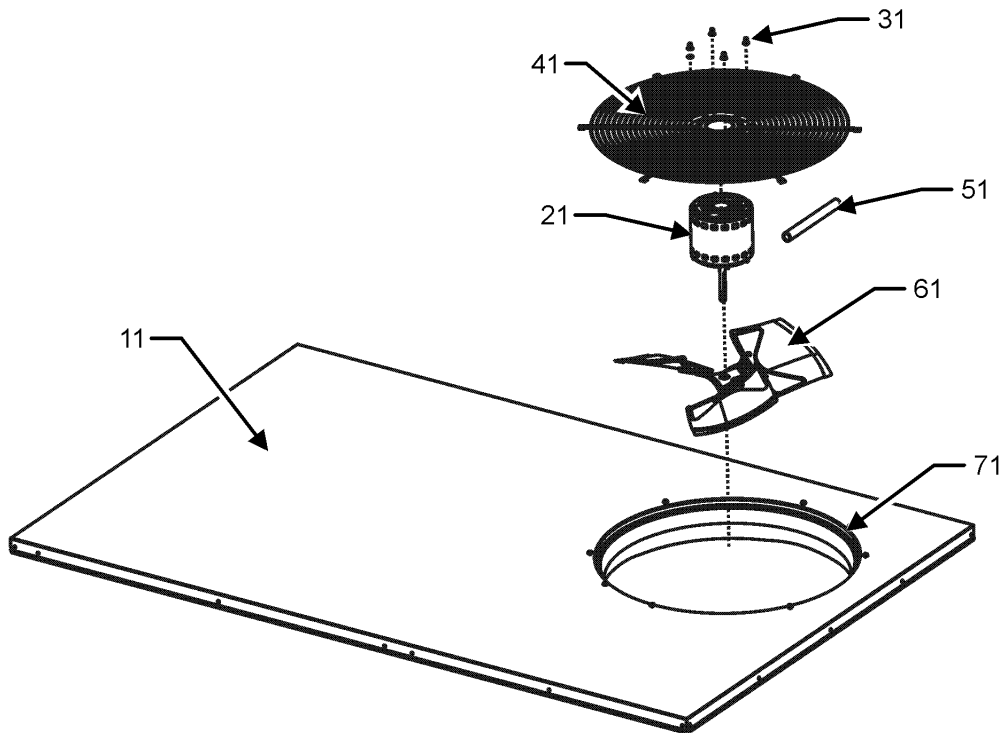
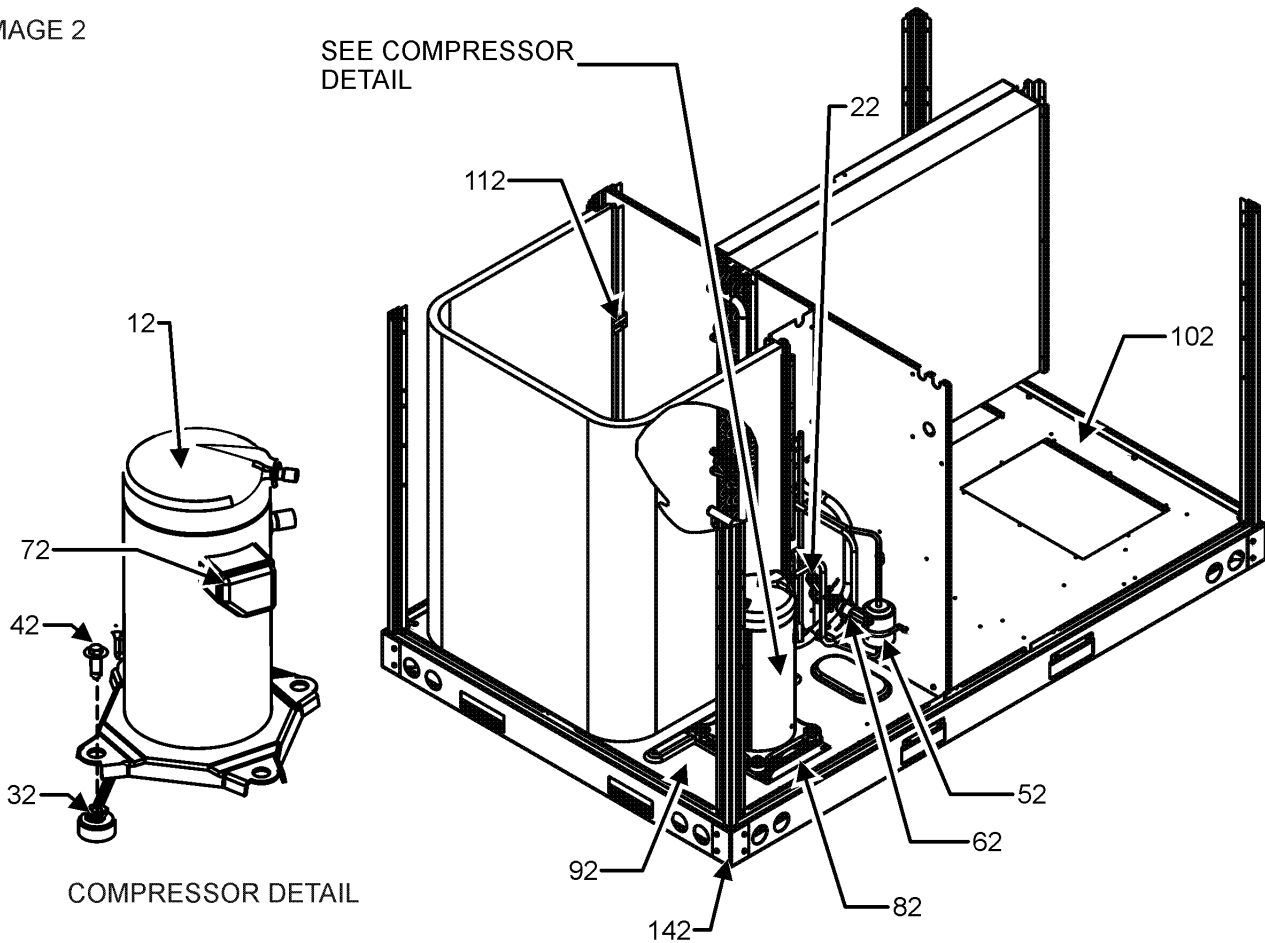


IMAGE 2



Top Panel and Tubing Assembly

Ref. Part No: No:	Description:	Ref. Part No: No:	Description:
-------------------	--------------	-------------------	--------------

Image 1:

11	0121L00235NG	TOP PANEL
21	0131M00430	COND MOTOR 1/3 HP, 1 SP, 6 PL (M1, M2, M4, M5, M6)
21	0131L00064	MOTOR, COND, 1/3 HP, 208/230V (M3)
31	0163M00006P	ACORN NUT 5/16 HEX BLACK (QTY 4)
41	0152G00003	FAN GRILLE (M1, M2, M4, M5, M6)
41	0152G00000	FAN GRILLE, RAISED (M3)
51	0161R00003P	CONDUIT
61	B1086765	FAN BLADE TYPE 3
71	0161L00000	VENTURI RING 22"
NS	0163M00004	SCREW #10X3/4", BLACK (QTY 3)
NS	0163M00005P	WASHER, BLACK (.50 OD .218ID) (QTY 4)

Image 2:

12	ZP49K5ETF5130	COMP, 49000/208/230/60/3 (M3, M4, M5)
12	ZP49K5EPFV130	COMP,49400,208/230/60/1 (M1, M2, M6)
22	0130M00087	CUT-OUT SWITCH, LOW PRESSURE
32	B1339533	COMPRESSOR GROMMET (QTY 4)
42	M0221641	TF SHOULDER SCREW (QTY 4)
52	20485201	BI-FLOW FILTER DRIER
62	0130M00074	CUT-OUT SWITCH, HIGH PRESSURE
72	0159L00027	COMPRESSOR SCROLL HARNESS (M1, M2, M6)
72	0159L00065	COMPRESSOR SCROLL HARNESS (M3, M4, M5)
82	0121L00310	COMPRESSOR MOUNTING PLATE
92	0121L01990	BASE PAN-OUTDOOR
102	0121L02619	BASE PAN, INDOOR
112	0121L00936	BRACKET-HAIRPIN END
142	0121G00301	BRACKET-RAIL CORNERS (QTY 4)
NS	B1373315	ACCESS FITTING (QTY 2)
NS	0141L00003X	FORK BOARD (QTY 2)
NS	0121L00055	FORK BOARD BRACKET (QTY 4)

Expanded Model Nomenclature

M1 - DTC060XXX1DXDXAA
M2 - DTC060XXX1DXXXAA
M3 - DTC060XXX3DXDCAA
M4 - DTC060XXX3DXDXAA
M5 - DTC060XXX3DXXXAA
M6 - DTC0600151DVDBAA

Cabinet Assembly

IMAGE 1

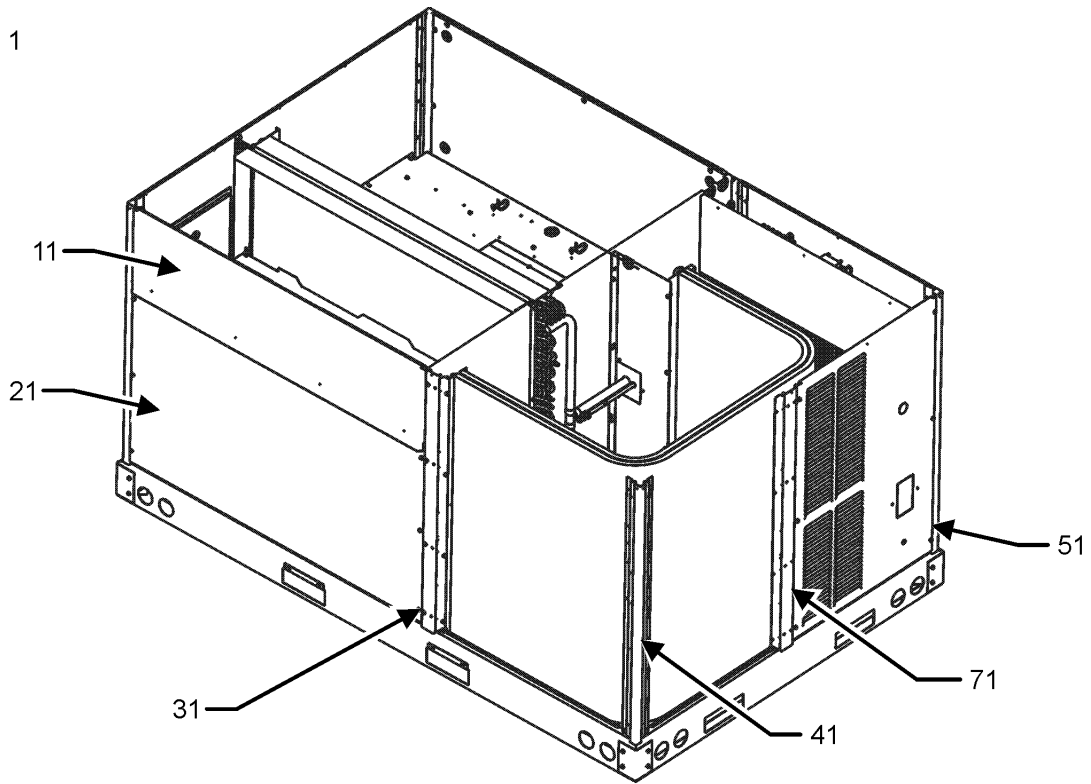
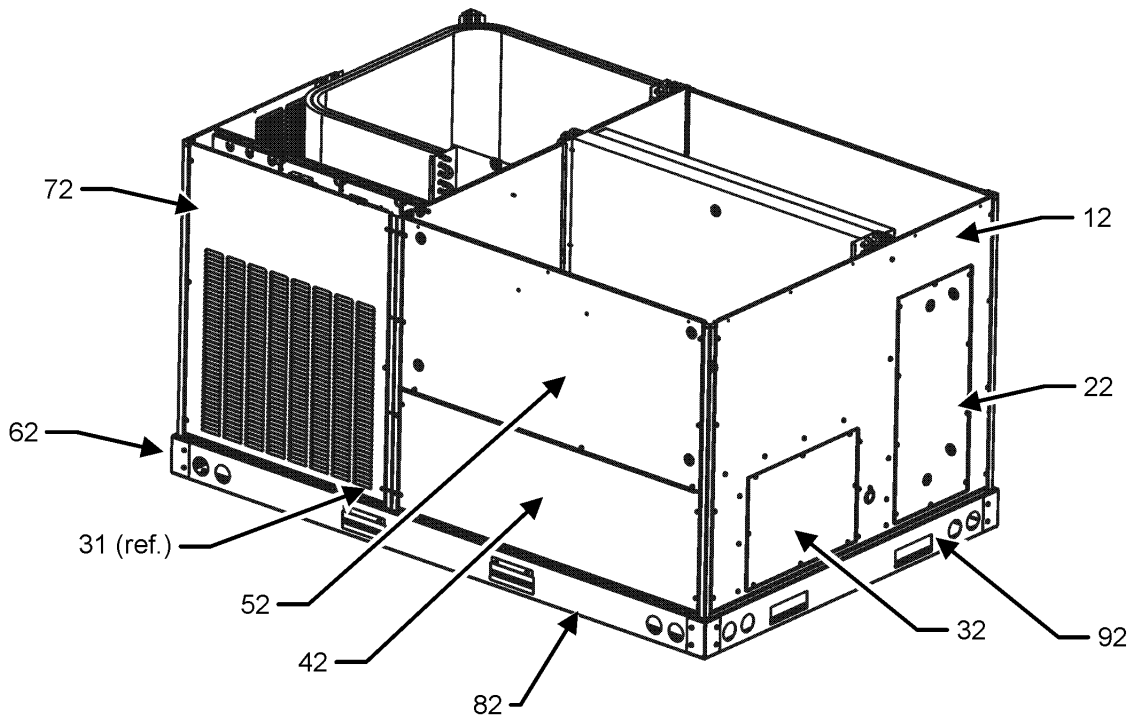


IMAGE 2



Cabinet Assembly

Ref. Part No:	Part No:	Description:	Ref. Part No:	Part No:	Description:
---------------	----------	--------------	---------------	----------	--------------

Image 1:

11	0270L00363NG	FILTER DOOR			
21	0121L00976NG	ECONOMIZER DOOR			
31	0121L00343RFNG	POST-SIDE SUPPORT (QTY 2)			
41	0121L00344RFNG	CORNER POST (QTY 2)			
41	0121L02554RFNG	PNT, ROLL FORMED, CORNER POST (M1, M3, M4, M6)			
51	0121L00354NG	LOUVERED COMPRESSOR PANEL			
71	0121L01169RFNG	RF, SIDE POST 3-5 TON (M2, M5)			
71	0121L01382RFNG	SIDE POST (M1, M3, M4, M6)			
NS	0164L00009	GASKET-RUBBER, CPOST (QTY 3)			
NS	0164L00011	GASKET-RUBBER, SIDE POST (QTY 2)			

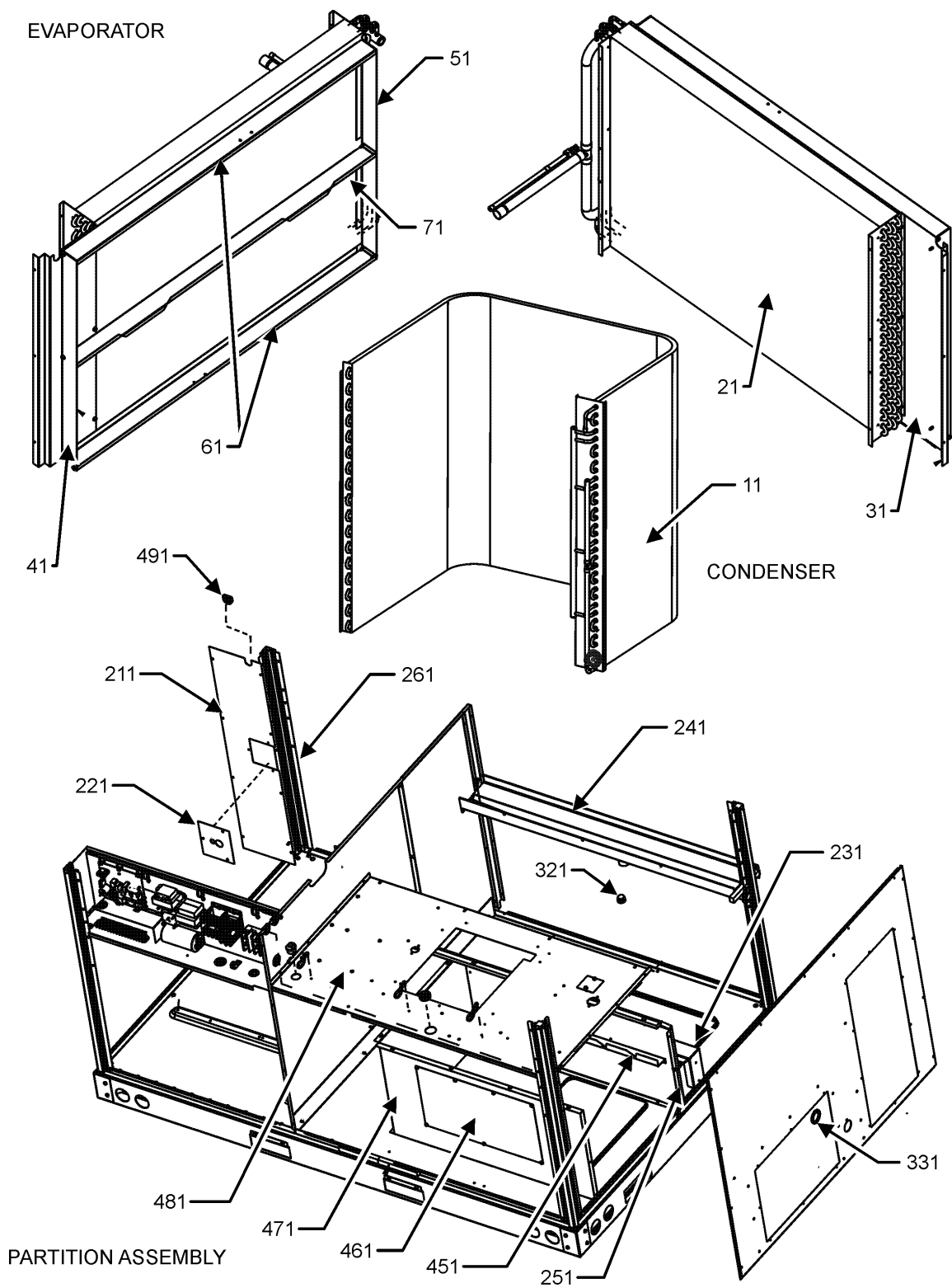
Image 2:

12	0121L00342NG	DUCT PANEL			
22	0121L00023NG	RETURN DUCT COVER			
32	0121L00024NG	SUPPLY DUCT COVER			
42	0121L01176NG	ELECTRIC HEAT DOOR			
52	0121L01172NG	BLOWER DOOR			
62	0121G00301	RAIL CORNER BRACKET (QTY 7)			
72	0121L01170NG	LOUVERED CONTROL PANEL			
82	0121L00244RF	SIDE RAIL (QTY 2)			
92	0121L00245	END RAIL			

Expanded Model Nomenclature

M1 - DTC060XXX1DXDXAA
M2 - DTC060XXX1DXXXAA
M3 - DTC060XXX3DXDCAA
M4 - DTC060XXX3DXDXAA
M5 - DTC060XXX3DXXXAA
M6 - DTC0600151DVDBAA

Condenser, Evaporator and Partition Assy



Condenser, Evaporator and Partition Assy

Ref. Part No:	Part No:	Description:	Ref. Part No:	Part No:	Description:
---------------	----------	--------------	---------------	----------	--------------

Image 1:

11	0201L00145	TUBING ASSY, COND COIL			
21	0202L00145	EVAPORATOR COIL TUBING ASSY			
31	0121L00345	BLOCKOFF-EVAPORATOR			
41	0121L00358	FILTER ANGLE-VERTICAL (HAIRPIN SIDE)			
51	0121L00357	FILTER ANGLE-VERTICAL (RETURN SIDE)			
61	0121L00932	FILTER ANGLE-HORIZONTAL (QTY 2)			
71	0121L01255	ANGLE-FILTER CENTER			
211	0121L00889	COND BLOCK-OFF			
221	0121L00939	CONDENSER BLOCKOFF PLATE			
231	0121L00238	DRAIN PAN SUPPORT			
241	0161L00005	DRAIN PAN			
251	0121L02123	CHANNEL-DECK SIDE			
261	0121L00349	COND MOUNTING ANGLE			
321	0163L00071	DRAIN PLUG			
331	0154L00009	DRAIN PAN GASKET			
451	0121L00288	ELECTRIC HEAT RETAINER			
461	0121L00144	ELECTRIC HEAT COVER			
471	0121L00256	ELECTRIC HEAT PANEL			
481	0121L03396	DECK-BLOWER			
491	A4568804	GROMMET-D (QTY 4)			
NS	0160L00174	AIR FILTER 16 X 20 X 2 (QTY 4)			
NS	0121L01377	BLOWER DECK SUPPORT (M1, M3, M4, M6)			
NS	0121L00321	SMOKE DETECTOR COVER			

Expanded Model Nomenclature

M1 - DTC060XXX1DXDXAA
M2 - DTC060XXX1DXXXAA
M3 - DTC060XXX3DXDCAA
M4 - DTC060XXX3DXDXAA
M5 - DTC060XXX3DXXXAA
M6 - DTC0600151DVDBAA

Blower and Control Box Assembly

IMAGE 1

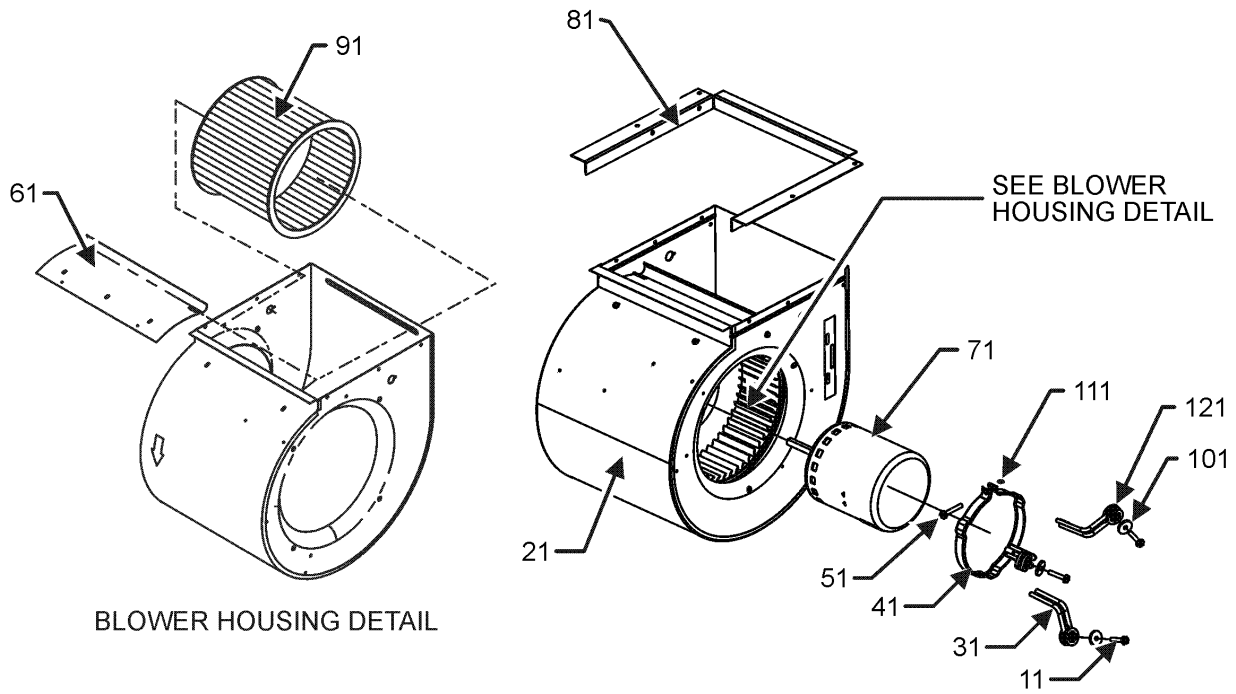
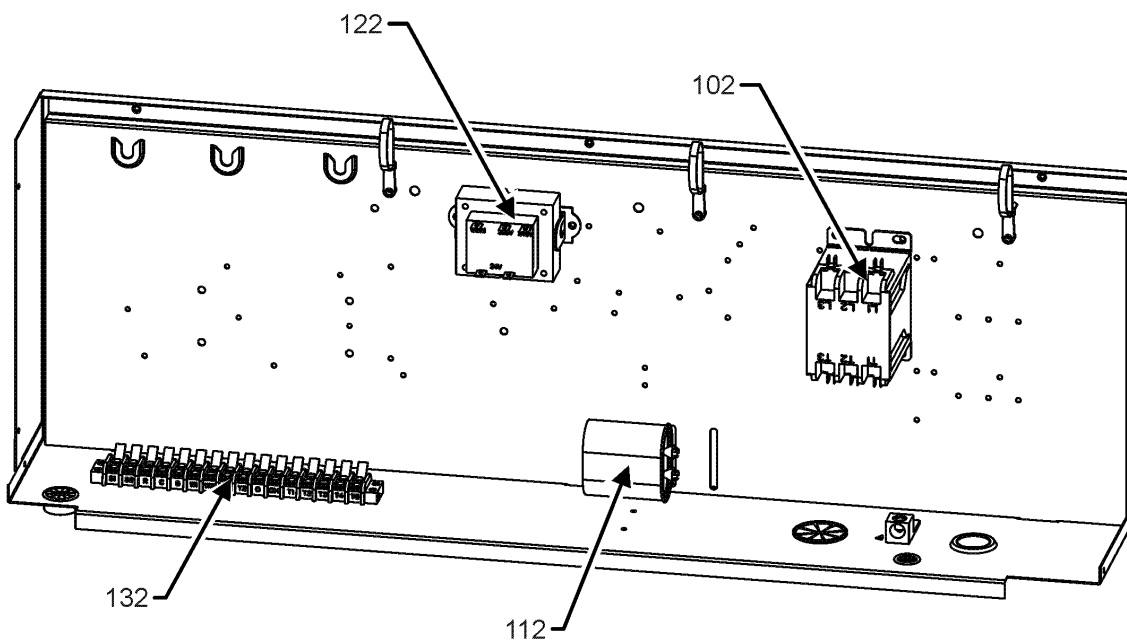


IMAGE 2



Blower and Control Box Assembly

Ref. Part No:	Ref. Part No:	Description:	Description:
---------------	---------------	--------------	--------------

Image 1:

11	M0221461	TC SCREW (QTY 4)
21	11185811	HSG WELD 11X10 FUR
31	10441501	MOTOR MOUNT ARM (QTY 4)
41	10441601	MOTOR MOUNT BAND
51	M0267144	MACH SCREW
61	C6121807	BLOWER CUT-OFF
71	0131M00815	MOTOR-1HP PROGRAMMED SELECTECH
81	0121L00281	BLOWER MOUNTING ANGLE
91	B1368000	BLOWER WHEEL 11 X10
101	M0274008	FLAT WASHER (QTY 4)
111	M0282015	KEPS NUT
121	A4002702	BLOWER MOTOR GROMMET (QTY 4)
NS	B1392820	WASHER, SPLIT LOCK 1/4 BZ (QTY 4)

Image 2:

102	CONT3P025024V	CONTACTOR 25 AMP, 3P, 24V (M3, M4, M5)
102	CONT2P040024V	CONTACTOR 40 AMP, 2P, 24V (M1, M2, M6)
112	CAP100700440CT	CAP, 10/70 MFD/ 440V/ DUAL RD (M1, M2, M6)
112	CAP100000370LA	CAPACITOR 10/370V (M3, M4, M5)
122	0130M00138	TRANSFORMER, 208/230, 24V
132	0130M00038	TERMINAL BOARD (M3, M4, M5)
NS	20520901	CAPACITOR STRAP (M3, M4, M5)
NS	0259L00178	HARNESS, ECONOMIZER (M3, M4, M5)
NS	0259L00054	HARNESS, WIRING (M3, M4, M5)
NS	0259L00058	HARNESS, WIRING (M1, M2, M6)
NS	0259L00059	HARNESS, WIRING (M1, M2, M6)
NS	0130M00127	MOTOR POWER HARNESS (M1, M2, M6)
NS	0130M00126	X-13 LOW VOLTAGE WIRE HARN

Expanded Model Nomenclature

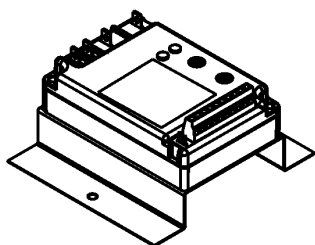
M1 - DTC060XXX1DXDXAA
M2 - DTC060XXX1DXXXAA
M3 - DTC060XXX3DXDCAA
M4 - DTC060XXX3DXDXAA
M5 - DTC060XXX3DXXXAA
M6 - DTC0600151DVDBAA

Accessory Parts List

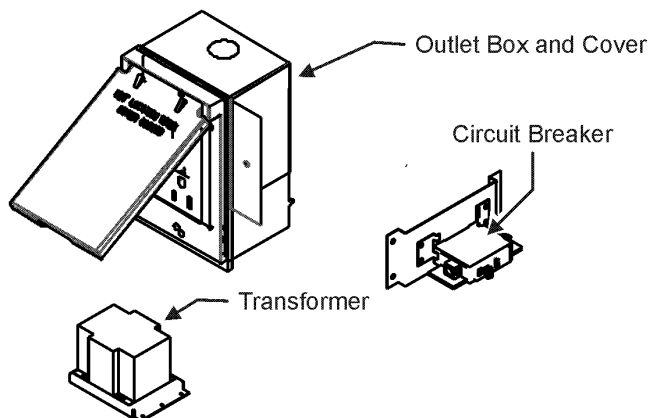
ACCESSORY PARTS LIST

NOTE: NOT ALL OPTIONS AVAILABLE FOR ALL PRODUCTS

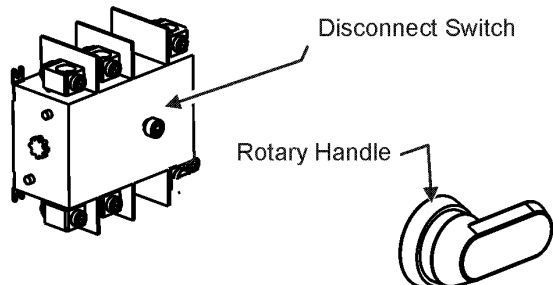
1 LOW AMBIENT KITS



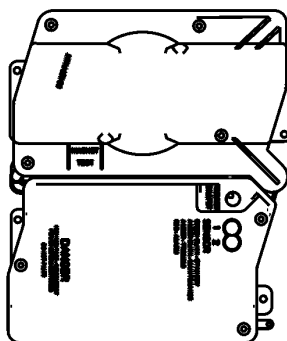
2 GFCI CONVENIENCE OUTLET



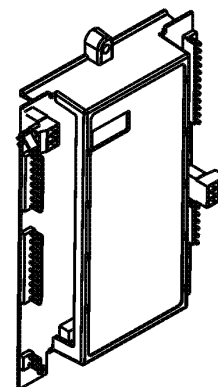
3 DISCONNECT MODULE (NON-FUSED)



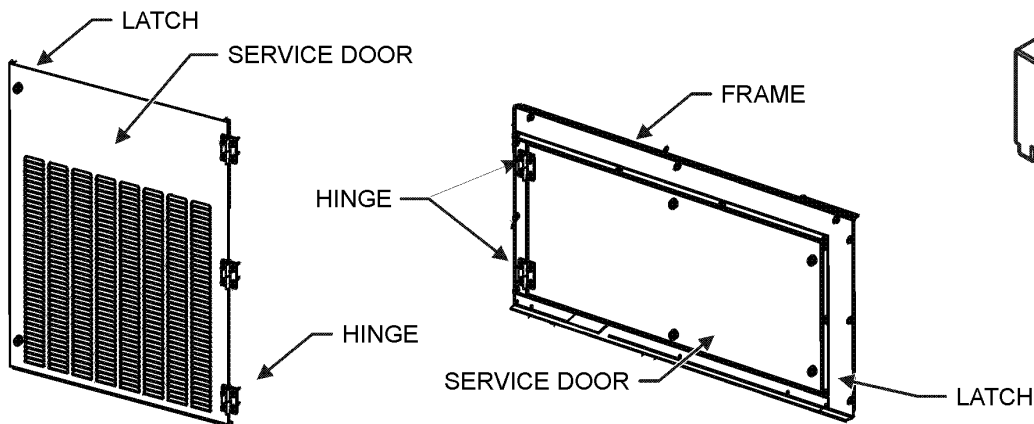
4 SMOKE DETECTORS



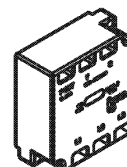
5 DDC CONTROL



6 HINGED DOOR ASSEMBLIES



7 PHASE MONITOR



Accessoory Parts List

Ref. Part No:	Part No:	Description:	Ref. Part No:	Part No:	Description:
---------------	----------	--------------	---------------	----------	--------------

Image 1:

NS	EHK1-15	15 KW 208-230/1 ELECTRIC HEAT (M6)
NS	DDNECNJ3672C	3-6 TON DFLOW ECONOMIZER (M6)
NS	0121L00316	BRACKET-CONV OUTLET MOUNT (M6)
NS	0130M00065	CIRCUIT BREAKER, CONVENIENCE OUTLET (M6)
NS	0130L00012	GANG BOX-GFCI OUTLET (M6)
NS	0163M00307	HINGE, LEFT HAND (M1, M3, M4, M6)
NS	0163M00308	HINGE, RIGHT HAND (M1, M3, M4, M6)
NS	0163M00360	LATCH (M1, M3, M4, M6)
NS	0130M00058	LOW AMBIENT KIT (M3)
NS	0121L02529NG	PNT, BLOWER DOOR BACK (M1, M3, M4, M6)
NS	0121L02510NG	PNT, BLOWER DOOR FRAME (M1, M3, M4, M6)
NS	0121L02528NG	PNT, BLOWER DOOR FRONT (M1, M3, M4, M6)
NS	0161G00012	POWER OUTLET BOX (M6)
NS	0130L00103	RECEPTACLE-GFCI OUTLET (M6)
NS	0130M00061	TRANSFORMER, CONVENIENCE OUTLET (M6)

Expanded Model Nomenclature

M1 - DTC060XXX1DXDXAA
M2 - DTC060XXX1DXXXAA
M3 - DTC060XXX3DXDCAA
M4 - DTC060XXX3DXDXAA
M5 - DTC060XXX3DXXXAA
M6 - DTC0600151DVDBAA