

## Commercial High Efficient 4 Ton Package Cooling Units

DTC048XXX1DXDXAA  
DTC048XXX1DXXAAA  
DTC048XXX1DXXXAA  
DTC048XXX3DXDXAA  
DTC048XXX3DXXXAA



This manual is to be used by qualified technicians only.

This manual replaces RP-D1073C.

# Important Information

---

## Index

Functional Parts List .....	3
Illustration and Parts .....	4 - 13

*Views shown are for parts illustrations only, not servicing procedures*

### Text Codes:

AR - As Required

NA - Not Available

NS - Not Shown

00000000 - See Note

QTY - Quantity Example (QTY 3) (If Quantity not shown, Quantity = 1)

M - Model Example (M1) (If M Code not shown, then part is used on all Models)

### Expanded Model Nomenclature:

Example M1 - Model#1 M2 - Model#2 M3 - Model#3
---

Daikin Company, L.P. is not responsible for personal injury or property damage resulting from improper service. Review all service information before beginning repairs.

Warranty service must be performed by an authorized technician, using authorized factory parts. If service is required after the warranty expires, Daikin Company, L.P. also recommends contacting an authorized technician and using authorized factory parts.

Daikin Company, L.P. reserves the right to discontinue, or change at any time, specifications or designs without notice or without incurring obligations.

For assistance within the U.S.A. contact:

Equipment Support  
Daikin North America, LLC  
19001 Kermier Road  
Waller, Texas 77484  
855-770-5678-Telephone  
713-863-2382-Facsimile

For assistance outside the U.S.A. contact:

International Division  
Daikin North America, LLC  
19001 Kermier Road  
Waller, Texas 77484  
713-861-2500-Telephone  
713-863-2382-Facsimile

# Functional Parts

## Part

## No: Description:

---

B1368000	BLOWER WHEEL 11 X10
CAP100000370LA	CAPACITOR 10/370V (M4, M5)
CAP050450440CT	CAPACITOR 5/45/440V/DUAL RD (M1, M2, M3)
ZP39K5ETF5130	COMPRESSOR 39000, 200/230/60/3 (M4, M5)
ZP39K5EPFV130	COMPRESSOR 39000, 208/230/60/1 (M1, M2, M3)
CONT3P025024V	CONTACTOR 25 AMP, 3P, 24V (M4, M5)
CONT2P040024V	CONTACTOR 40 AMP, 2P, 24V (M1, M2, M3)
0130M00074	CUT-OUT SWITCH, HIGH PRESSURE
0130M00087	CUT-OUT SWITCH, LOW PRESSURE
0150G00004	FAN BLADE
0131M00847	MOTOR, 1/4 HP, 1 SP, 6 PL
0131M00819	MOTOR, 1HP PROGRAMMED SELEC TE
0130M00138	TRANSFORMER, 208/230, 24V

### Expanded Model Nomenclature

M1 - DTC048XXX1DXDXAA
M2 - DTC048XXX1DXXAAA
M3 - DTC048XXX1DXXXAA
M4 - DTC048XXX3DXDXAA
M5 - DTC048XXX3DXXXAA

# Top Panel and Tubing Assembly

IMAGE 1

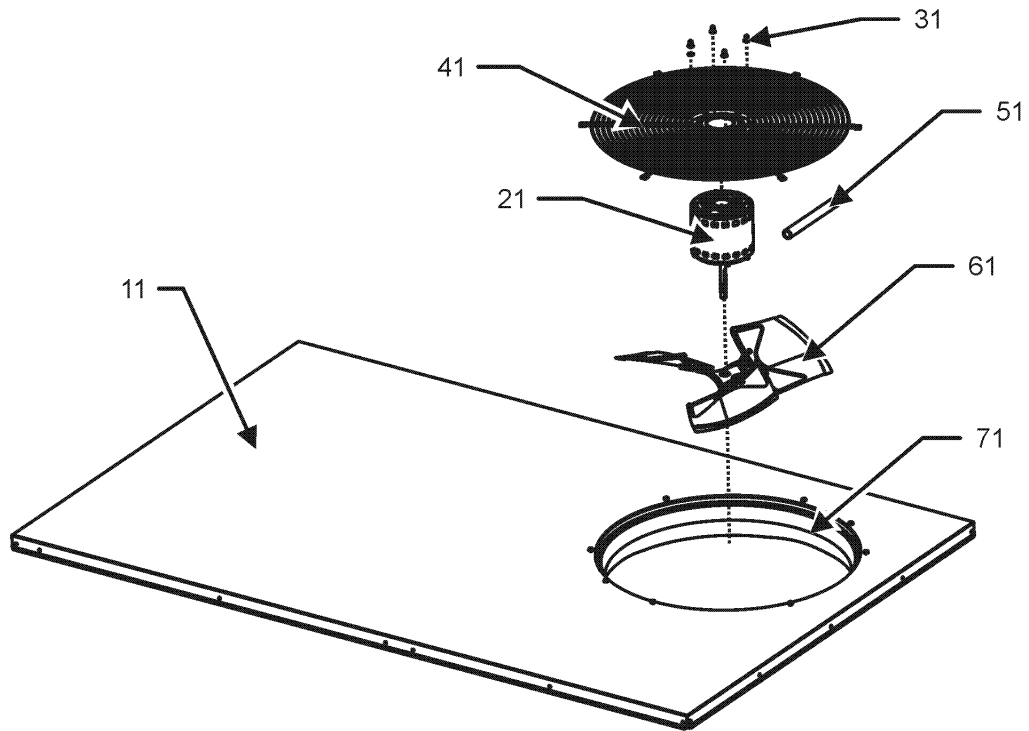
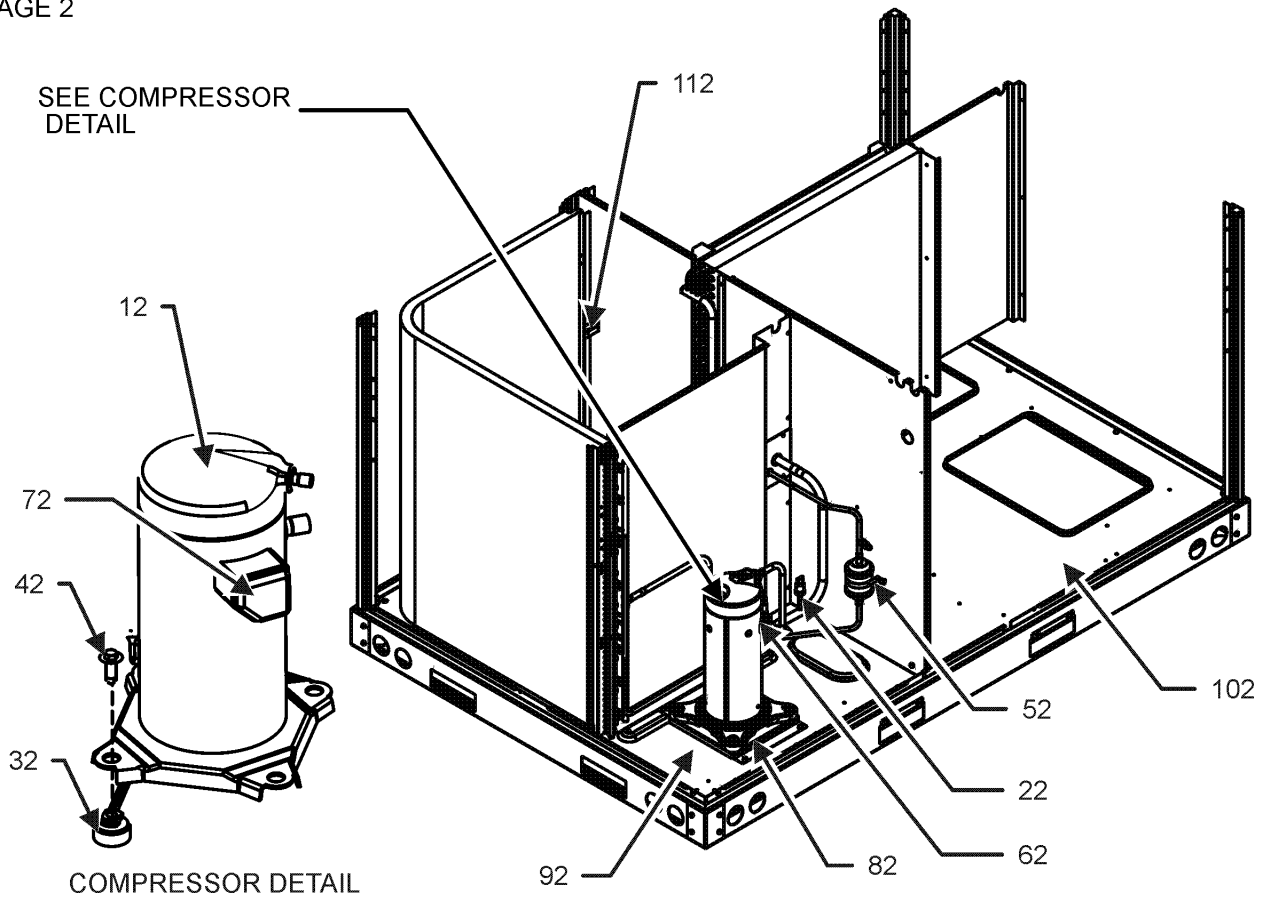


IMAGE 2



# Top Panel and Tubing Assembly

Ref. Part No:	Ref. Part No:	Description:	Description:
---------------	---------------	--------------	--------------

**Image 1:**

11	0121L00235NG	TOP PANEL
21	0131M00847	MOTOR, 1/4 HP, 1 SP, 6 PL
31	0163M00006P	ACORN NUT 5/16 HEX BLACK (QTY 4)
41	0152G00003	FAN GRILLE
51	0161R00003P	CONDUIT
61	0150G00004	FAN BLADE
71	0161L00000	VENTURI RING 22"
NS	0163M00004	SCREW #10X3/4", BLACK (QTY 18)
NS	0163M00005P	WASHER, BLACK (.50 OD .218ID) (QTY 4)

**Image 2:**

12	ZP39K5ETF5130	COMPRESSOR 39000, 200/230/60/3 (M4, M5)
12	ZP39K5EPFV130	COMPRESSOR 39000, 208/230/60/1 (M1, M2, M3)
22	0130M00087	CUT-OUT SWITCH, LOW PRESSURE
32	B1339533	COMPRESSOR GROMMET (QTY 4)
42	M0221641	TF SHOULDER SCREW (QTY 4)
52	0162R00009	FILTER DRIER
62	0130M00074	CUT-OUT SWITCH, HIGH PRESSURE
72	0159L00027	COMPRESSOR SCROLL HARNESS (M1, M2, M3)
72	0159L00065	COMPRESSOR SCROLL HARNESS (M4, M5)
82	0121L00310	COMPRESSOR MOUNTING PLATE
92	0121L01990	BASE PAN-OUTDOOR
102	0121L02619	BASE PAN, INDOOR
112	0121L00936	BRACKET-HAIRPIN END
NS	B1373315	ACCESS FITTING (QTY 2)

**Expanded Model Nomenclature**

- |                       |
|-----------------------|
| M1 - DTC048XXX1DXDXAA |
| M2 - DTC048XXX1DXXAAA |
| M3 - DTC048XXX1DXXXAA |
| M4 - DTC048XXX3DXDXAA |
| M5 - DTC048XXX3DXXXAA |

# Cabinet Assembly

IMAGE 1

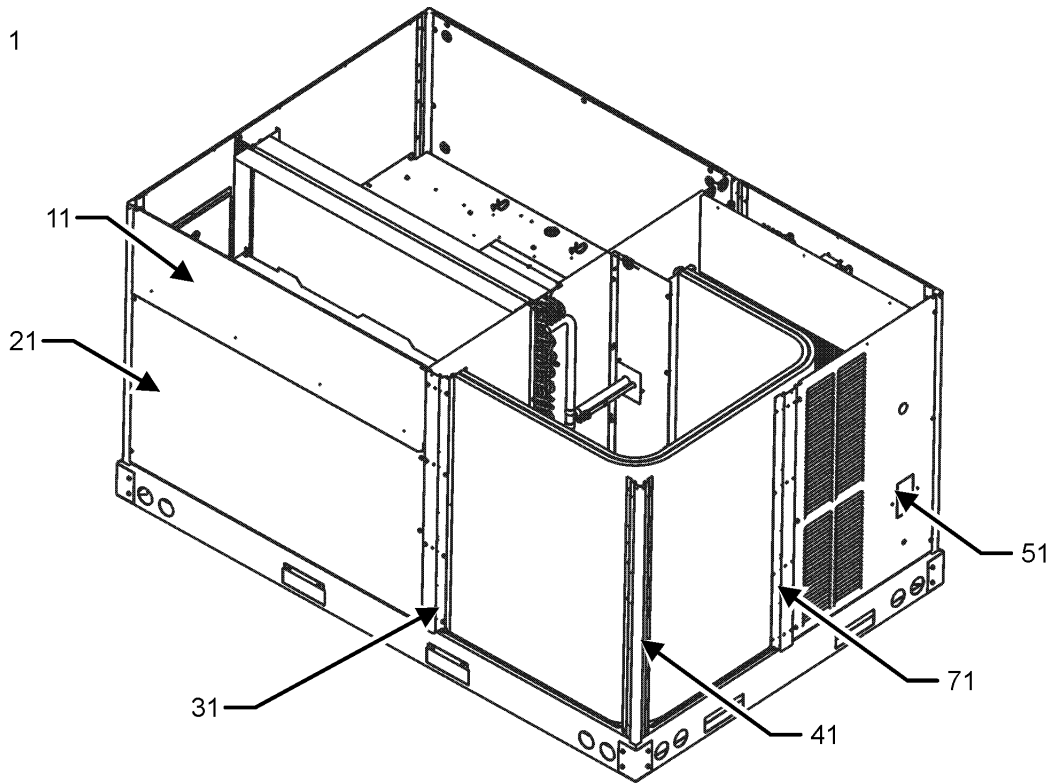
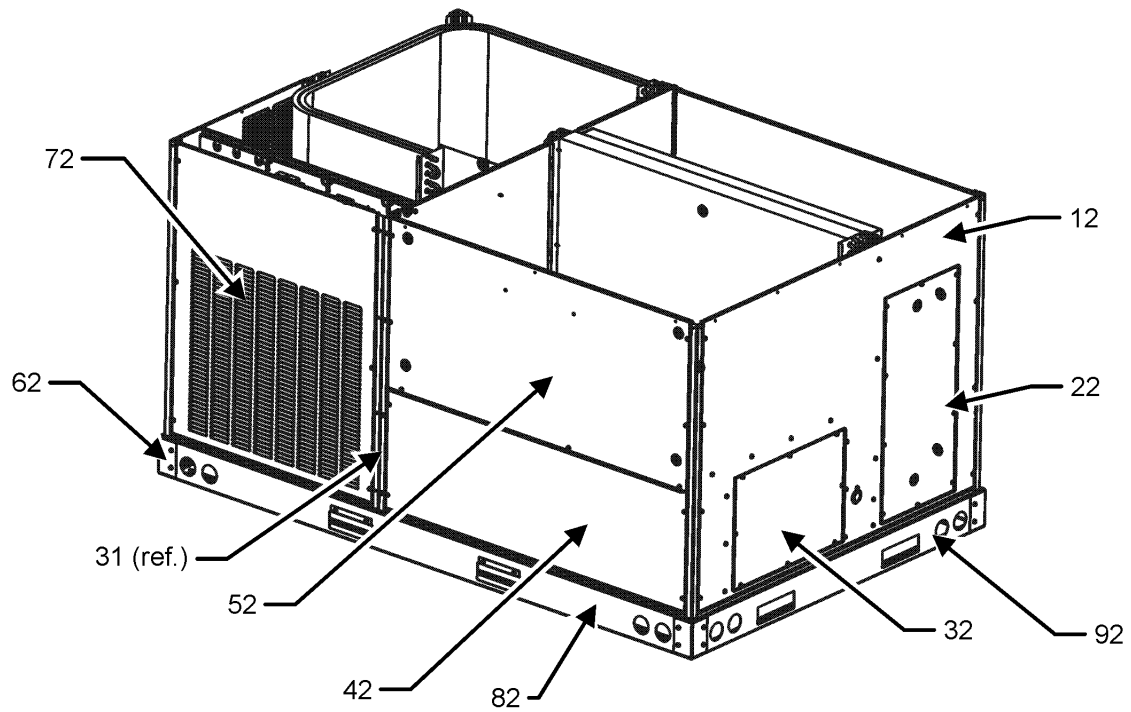


IMAGE 2



# Cabinet Assembly

Ref. Part No:	Ref. Part No:	Description:	Description:
---------------	---------------	--------------	--------------

**Image 1:**

11	0270L00362NG	FILTER DOOR
21	0121L00976NG	ECONOMIZER DOOR
31	0121L00233RFNG	POST-SIDE SUPPORT (QTY 2)
41	0121L00237RFNG	Painted Roll F, Post Corner (QTY 2)
41	0121L02553RFNG	ROLL FORMED, CORNER POST (M1, M4)
51	0121L00263NG	LOUVERED COMPRESSOR PANEL
71	0121L01159RFNG	POST-SIDE SUPPORT
71	0121L01374RFNG	POST-SIDE SUPPORT
NS	0164L00009	GASKET-RUBBER, CPOST (QTY 3)
NS	0164L00011	GASKET-RUBBER, SIDE POST (QTY 2)

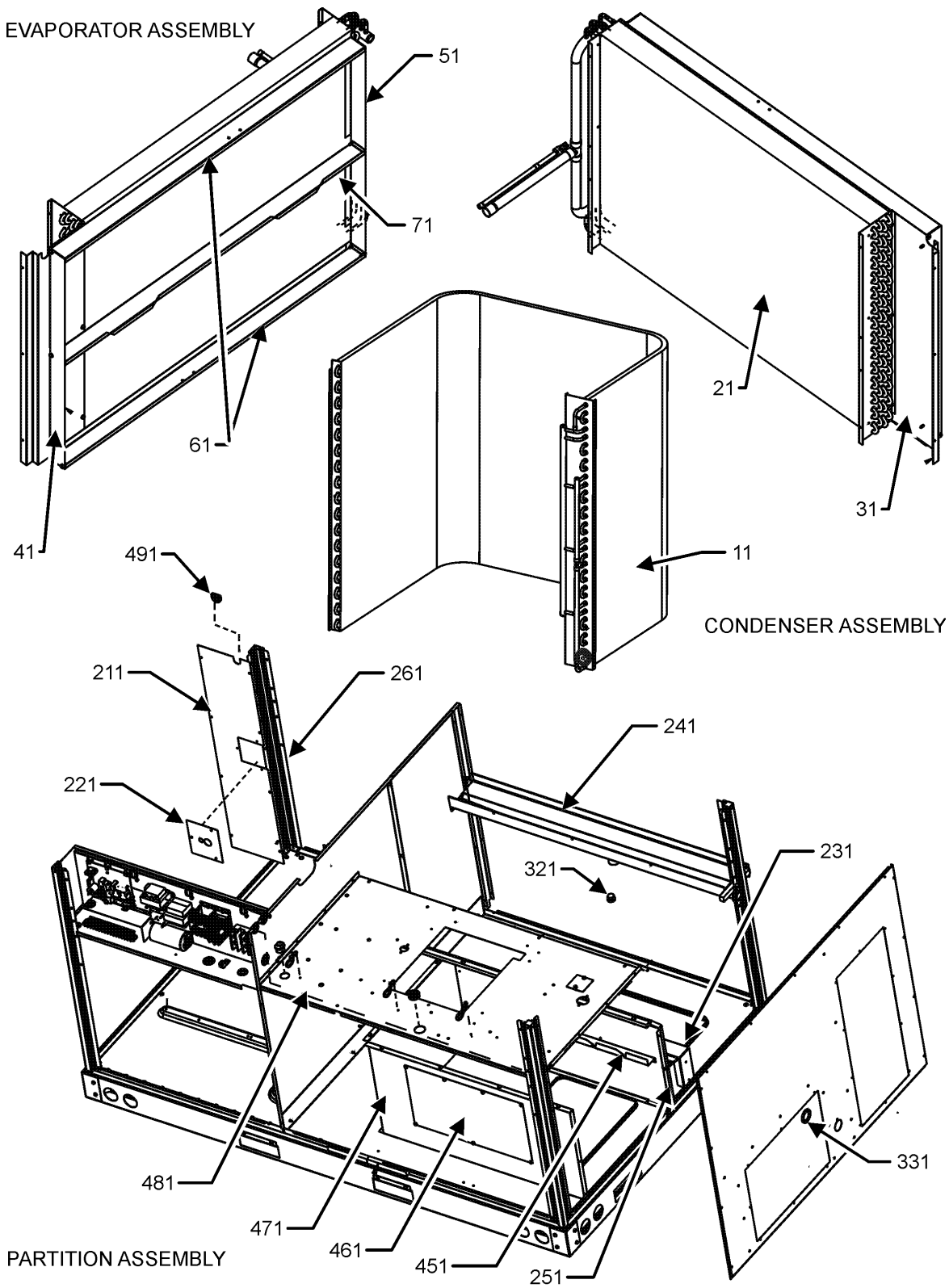
**Image 2:**

12	0121L00236NG	DUCT PANEL
22	0121L00023NG	RETURN DUCT COVER
32	0121L00024NG	SUPPLY DUCT COVER
42	0121L01176NG	ELECTRIC HEAT DOOR
52	0121L01157NG	BLOWER DOOR
62	0121G00301	RAIL CORNER BRACKET (QTY 4)
72	0121L01121NG	LOUVERED CONTROL PANEL
82	0121L00244RF	SIDE RAIL (QTY 2)
92	0121L00245	END RAIL
NS	0141L00003X	FORK BOARD (QTY 2)
NS	0121L00055	FORK BOARD BRACKET (QTY 4)

**Expanded Model Nomenclature**

- |                       |
|-----------------------|
| M1 - DTC048XXX1DXDXAA |
| M2 - DTC048XXX1DXXAAA |
| M3 - DTC048XXX1DXXXAA |
| M4 - DTC048XXX3DXDXAA |
| M5 - DTC048XXX3DXXXAA |

# Condenser, Evaporator and Partition Assy



# Condenser, Evaporator and Partition Assy

Ref. Part No:	No:	Description:	Ref. Part No:	No:	Description:
---------------	-----	--------------	---------------	-----	--------------

**Image 1:**

11	0201L00141	TUBING ASSY, COND COIL
21	0202L00143	EVAPORATOR COIL TUBING ASSY
31	0121L00252	BLOCKOFF-EVAPORATOR
41	0121L00303	FILTER ANGLE-VERTICAL (HAIRPIN SIDE)
51	0121L00287	FILTER ANGLE-VERTICAL (RETURN SIDE)
61	0121L00932	FILTER ANGLE-HORIZONTAL (QTY 2)
71	0121L01255	ANGLE-FILTER CENTER
211	0121L00882	COND BLOCK-OFF
221	0121L00939	CONDENSER BLOCKOFF PLATE
231	0121L00238	DRAIN PAN SUPPORT
241	0161L00005	DRAIN PAN
251	0121L02123	DECK SIDE CHANNEL
261	0121L00254	COND MOUNTING ANGLE
321	0163L00071	DRAIN PLUG
331	0154L00009	DRAIN PAN GASKET
451	0121L00288	ELECTRIC HEAT RETAINER
461	0121L00144	ELECTRIC HEAT COVER
471	0121L00256	ELECTRIC HEAT PANEL
481	0121L03396	DECK-BLOWER
491	A4568804	GROMMET-D (QTY 4)
NS	0160L00173	AIR FILTER 14 X 20 X 2 (QTY 4)
NS	0121L01377	BLOWER DECK SUPPORT (M1, M4)
NS	0121L00321	SMOKE DETECTOR COVER

**Expanded Model Nomenclature**

M1 - DTC048XXX1DXDXAA
M2 - DTC048XXX1DXXAAA
M3 - DTC048XXX1DXXXAA
M4 - DTC048XXX3DXDXAA
M5 - DTC048XXX3DXXXAA

# Blower and Control Box Assembly

IMAGE 1

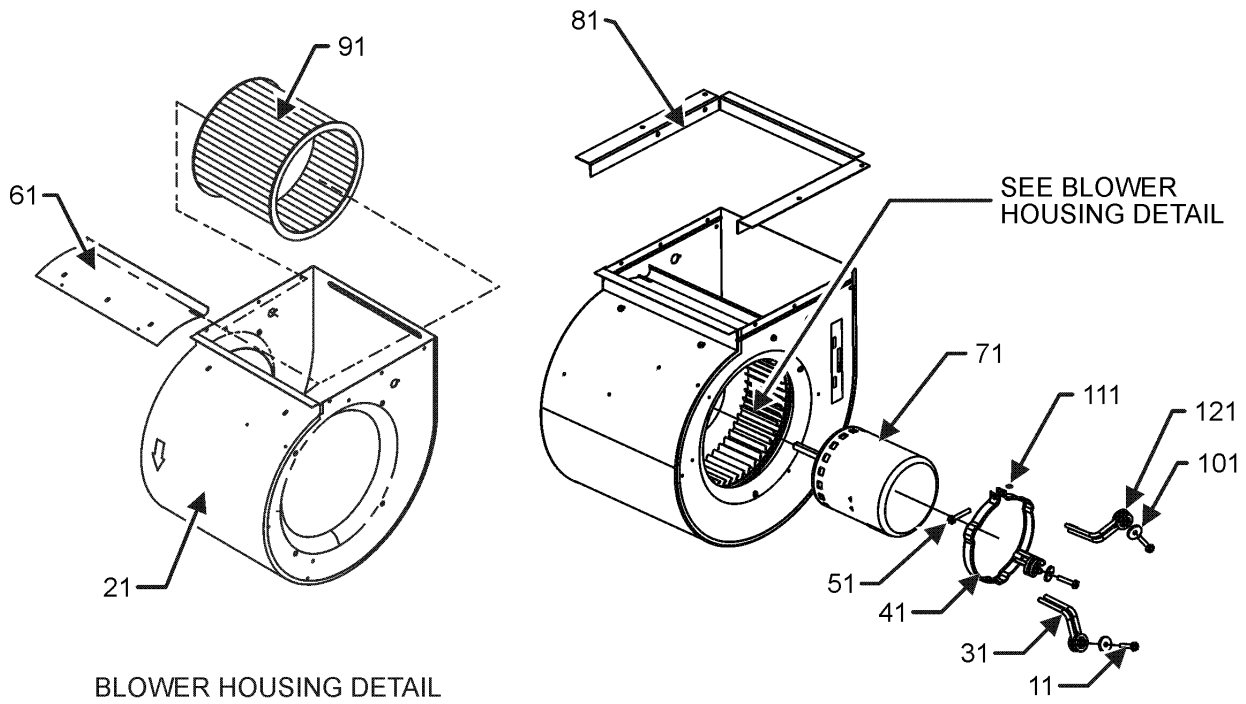
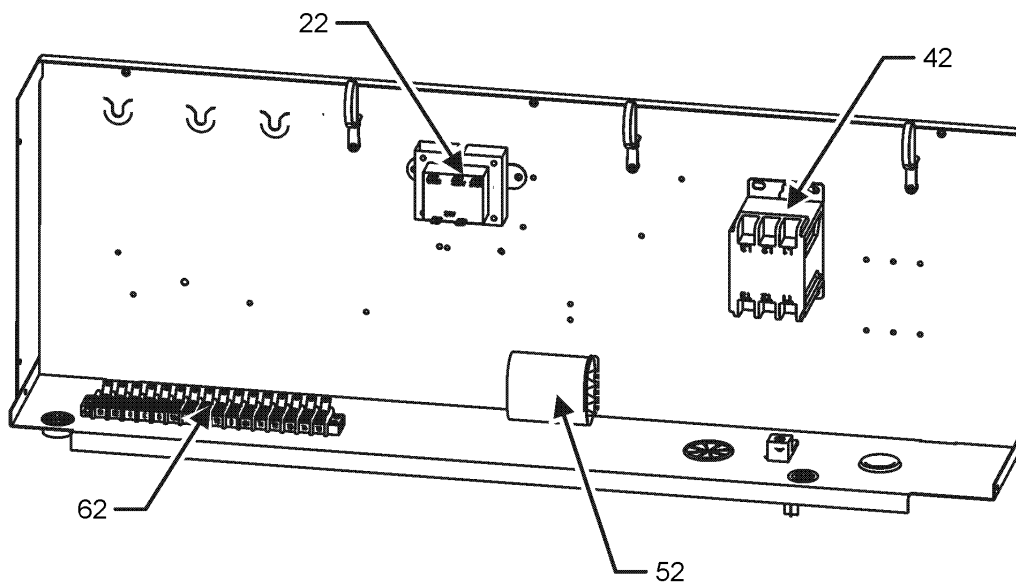


IMAGE 2



# Blower and Control Box Assembly

Ref. Part No:	Part No:	Description:	Ref. Part No:	Part No:	Description:
---------------	----------	--------------	---------------	----------	--------------

**Image 1:**

11	M0221461	TC SCREW (QTY 4)
21	11185811	HSG WELD 11X10 FUR
31	10441501	MOUNT ARM, MOTOR, A36-42 (QTY 4)
41	10441601	MOTOR MOUNT BAND
51	M0267144	MACHINE SCREW
61	C6121807	CUTOFF CO PKG
71	0131M00819	MOTOR, 1HP PROGRAMMED SELEC TE
81	0121L00281	BLOWER MOUNTING ANGLE
91	B1368000	BLOWER WHEEL 11 X10
101	B1392918	WASHER, FLAT 1/4 ID X 1 OD (QTY 4)
111	M0282015	KEPS NUT
121	A4002702	GROMMET (QTY 4)

**Image 2:**

22	0130M00138	TRANSFORMER, 208/230, 24V
42	CONT3P025024V	CONTACTOR 25 AMP, 3P, 24V (M4, M5)
42	CONT2P040024V	CONTACTOR 40 AMP, 2P, 24V (M1, M2, M3)
52	CAP100000370LA	CAPACITOR 10/370V (M4, M5)
52	CAP050450440CT	CAPACITOR 5/45/440V/DUAL RD (M1, M2, M3)
62	0130M00038	TERMINAL BOARD
NS	20520901	CAPACITOR STRAP
NS	0259L00178	HARNESS, ECONOMIZER
NS	0130M00127	MOTOR POWER HARNESS
NS	0259L00054	WIRING HARNESS
NS	0259L00058	WIRING HARNESS
NS	0259L00059	WIRING HARNESS
NS	0130M00126	X-13 LOW VOLTAGE WIRE HARNESS

**Expanded Model Nomenclature**

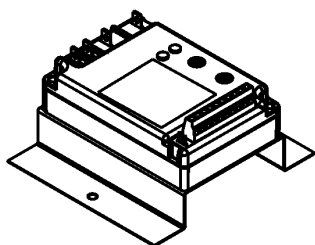
M1 - DTC048XXX1DXDXAA
M2 - DTC048XXX1DXXAAA
M3 - DTC048XXX1DXXXAA
M4 - DTC048XXX3DXDXAA
M5 - DTC048XXX3DXXXAA

# Accessory Parts List

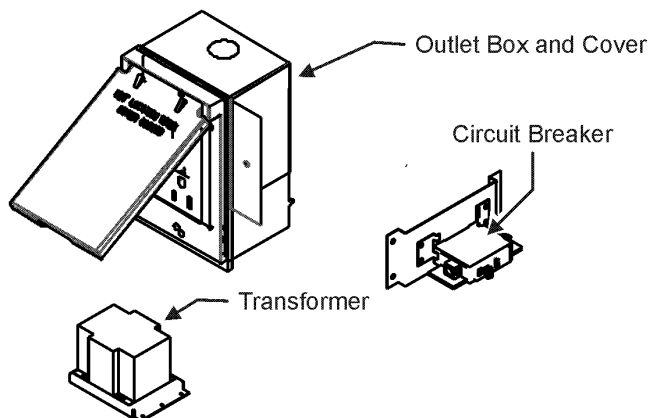
## ACCESSORY PARTS LIST

NOTE: NOT ALL OPTIONS AVAILABLE FOR ALL PRODUCTS

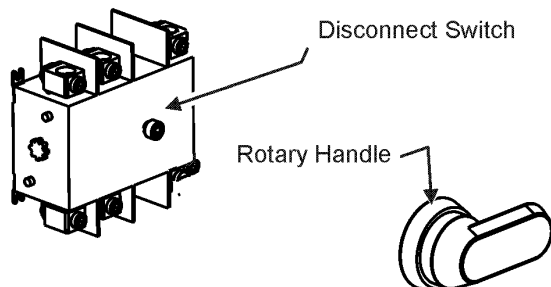
### 1 LOW AMBIENT KITS



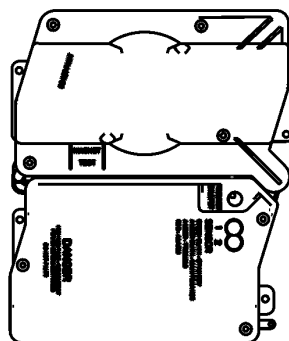
### 2 GFCI CONVENIENCE OUTLET



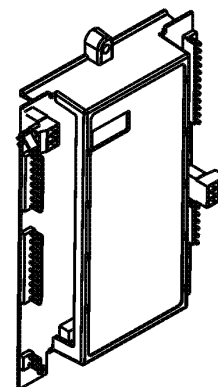
### 3 DISCONNECT MODULE (NON-FUSED)



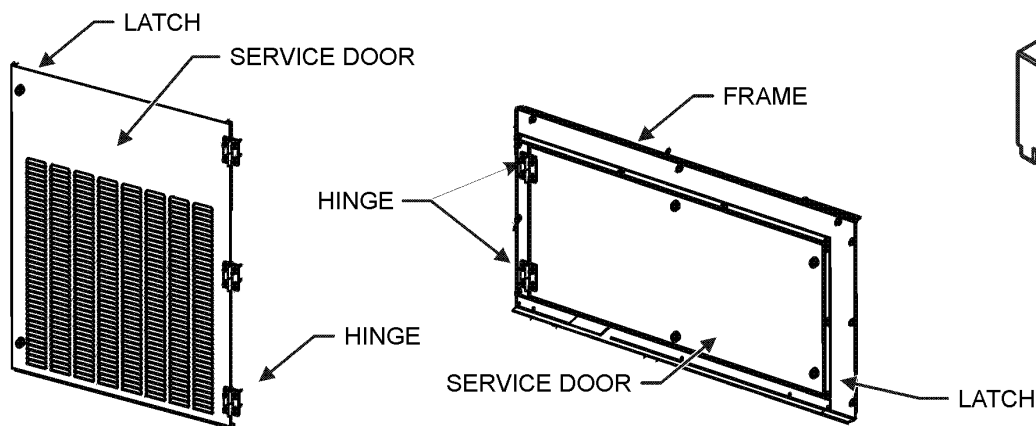
### 4 SMOKE DETECTORS



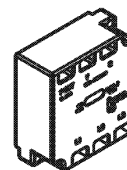
### 5 DDC CONTROL



### 6 HINGED DOOR ASSEMBLIES



### 7 PHASE MONITOR



# Accessory Parts List

Ref. Part No:	No:	Description:	Ref. Part No:	No:	Description:
---------------	-----	--------------	---------------	-----	--------------

---

**Image 1:**

NS	0121L00316	BRACKET-CONV OUTLET MOUNT (M2)
NS	0130L00012	GANG BOX-GFCI OUTLET (M2)
NS	0163M00307	HINGE, LEFT HAND (M1, M4)
NS	0163M00308	HINGE, RIGHT HAND (M1, M4)
NS	0163M00360	LATCH (M1, M4)
NS	0121L02527NG	PNT, BLOWER DOOR BACK (M1, M4)
NS	0121L02509NG	PNT, BLOWER DOOR FRAME (M1, M4)
NS	0121L02526NG	PNT, BLOWER DOOR FRONT (M1, M4)
NS	0121L02551NG	PNT, CONTROL DOOR (M1, M4)
NS	0161G00012	POWER OUTLET BOX (M2)
NS	0130L00103	RECEPTACLE-GFCI OUTLET (M2)

**Expanded Model Nomenclature**

M1 - DTC048XXX1DXDXAA
M2 - DTC048XXX1DXXAAA
M3 - DTC048XXX1DXXXAA
M4 - DTC048XXX3DXDXAA
M5 - DTC048XXX3DXXXAA