

## Commercial 5 Ton Package Heat Pump

DSH0600103BWBAAA  
DSH0600103BHXFAA  
DSH0600103BVDDAA  
DSH0600103BWBAAA  
DSH0600103BXXQAA  
DSH0600104BHBAAA  
DSH0600104BHBXAA  
DSH0600104BMDXAA  
DSH0600104BXXXAA  
DSH0600154BAXDAA  
DSH0600154BHXA  
DSH0600154BRXXXAA  
DSH0600204BJBLAA  
DSH0600204BWDAAA  
DSH0600204BWDAAA  
DSH060XXX3B1DDAA  
DSH060XXX3B2PDAA  
DSH060XXX3BHDDAA  
DSH060XXX3BHXXXAA  
DSH060XXX3BXXXAA  
DSH060XXX4BBXXXAA  
DSH060XXX4BFXAAA  
DSH060XXX4BXDXAA  
DSH060XXX4BXXXAA  
DSH060XXX7BXXXAA



This manual is to be used by qualified technicians only.

This manual replaces RP-D1118H.

# Important Information

---

## Index

Functional Parts List .....	3
Illustration and Parts .....	4 - 15

*Views shown are for parts illustrations only, not servicing procedures*

### Text Codes:

AR - As Required

NA - Not Available

NS - Not Shown

00000000 - See Note

QTY - Quantity Example (QTY 3) (If Quantity not shown, Quantity = 1)

M - Model Example (M1) (If M Code not shown, then part is used on all Models)

### Expanded Model Nomenclature:

Example M1 - Model#1 M2 - Model#2 M3 - Model#3
---

Daikin Company, L.P. is not responsible for personal injury or property damage resulting from improper service. Review all service information before beginning repairs.

Warranty service must be performed by an authorized technician, using authorized factory parts. If service is required after the warranty expires, Daikin Company, L.P. also recommends contacting an authorized technician and using authorized factory parts.

Daikin Company, L.P. reserves the right to discontinue, or change at any time, specifications or designs without notice or without incurring obligations.

For assistance within the U.S.A. contact:

Equipment Support  
Daikin North America, LLC  
19001 Kermier Road  
Waller, Texas 77484  
855-770-5678-Telephone  
713-863-2382-Facsimile

For assistance outside the U.S.A. contact:

International Division  
Daikin North America, LLC  
19001 Kermier Road  
Waller, Texas 77484  
713-861-2500-Telephone  
713-863-2382-Facsimile

# Functional Parts

## Part

## No: Description:

B1368056	BELT DRIVE BLOWER WHEEL
CAP100000440LA	CAP 10 MFD/440V/OVAL
ZP51K5ETF5130	COMPRESSOR 51000, 208/230/60/3 (M1, M2, M3, M4, M5, M11, M12, M13, M14, M15)
ZP51K5ETFD130	COMPRESSOR 51000, 460/60/3 (M6, M7, M8, M9, M16, M17, M18, M19, M20, M21, M22, M23, M24, M25)
ZP51K5ETFE130	COMPRESSOR 51000, 575/60/3 (M10)
CONT3P025024V	CONTACTOR 25 AMP, 3P, 24V (M6, M7, M8, M9, M10, M16, M17, M18, M19, M20, M21, M22, M23, M24, M25)
CONT3P030024V	CONTACTOR 30 AMP, 3P, 24V (M1, M2, M3, M4, M5, M11, M12, M13, M14, M15)
0130M00101	CONTROL,DEFROST
0130M00074	CUT-OUT SWITCH, HIGH PRESSURE
0130M00075	CUT-OUT SWITCH, LOW PRESSURE
0130M00106	DISC THERMOSTAT CRNKCS HTR SW (M1, M2, M3, M4, M5, M11, M12, M13, M14, M15)
0164L00010	FAN BELT, NOTCHED
B1086765	FAN BLADE TYPE 3
0131L00079	MOTOR, 1 HP BELT DRIVE (M10)
0131L00067	MOTOR, 1 HP BELT DRIVE (M1, M2, M3, M4, M5, M6, M7, M8, M9, M11, M12, M13, M14, M15, M16, M17, M18, M19, M20, M21, M22, M23, M24, M25)
0131M00842	MOTOR, 1/3 HP, OD (M10)
0131M00841	MOTOR, 1/3 HP, OD (M6, M7, M8, M9, M16, M17, M18, M19, M20, M21, M22, M24, M25)
0131M00840	MOTOR, 1/3 HP, OD (M1, M2, M3, M4, M5, M12, M13, M14)
PCBDM133	PCB, DEFROST CONTROL
PCBFM103	PCB, TIME DELAY, EBTDR
0130M00025	RELAY, SPDT (M6, M7, M8, M9, M10, M16, M17, M18, M19, M20, M21, M22, M23, M24, M25)
0151R00071	REVERSING VALVE
B1225022	SOLENOID
0130M00594	TRANSFORMER (M1, M2, M3, M4, M5, M11, M12, M13, M14, M15)
0130M00595	TRANSFORMER, 75VA, 480V TO 24V (M6, M7, M8, M9, M16, M17, M18, M19, M20, M21, M22, M23, M24, M25)
0130M00598	TRANSFORMER, 75VA, 575V TO 24V (M10)

## Expanded Model Nomenclature

M1 - DSH060XXX3BHDDAA
M2 - DSH060XXX3BHXXAA
M3 - DSH060XXX3BXXXAA
M4 - DSH060XXX3B1DDAA
M5 - DSH060XXX3B2PDAA
M6 - DSH060XXX4BBXXAA
M7 - DSH060XXX4BFXXAA
M8 - DSH060XXX4BXDXAA
M9 - DSH060XXX4BXXXAA
M10 - DSH060XXX7BXXXAA
M11 - DSH0600103BHXFAA
M12 - DSH0600103BVDDAA
M13 - DSH0600103BWBAAA
M14 - DSH0600103BWBAAA
M15 - DSH0600103BXXQAA
M16 - DSH0600104BHBAAA
M17 - DSH0600104BHBXAA
M18 - DSH0600104BMDXAA
M19 - DSH0600104BXXXAA
M20 - DSH0600154BAXDAA
M21 - DSH0600154BHXOAA
M22 - DSH0600154BRXXAA
M23 - DSH0600204BJBLAA
M24 - DSH0600204BWDAAA
M25 - DSH0600204BWDAAA

# Top Panel and Tubing Assembly

IMAGE 1

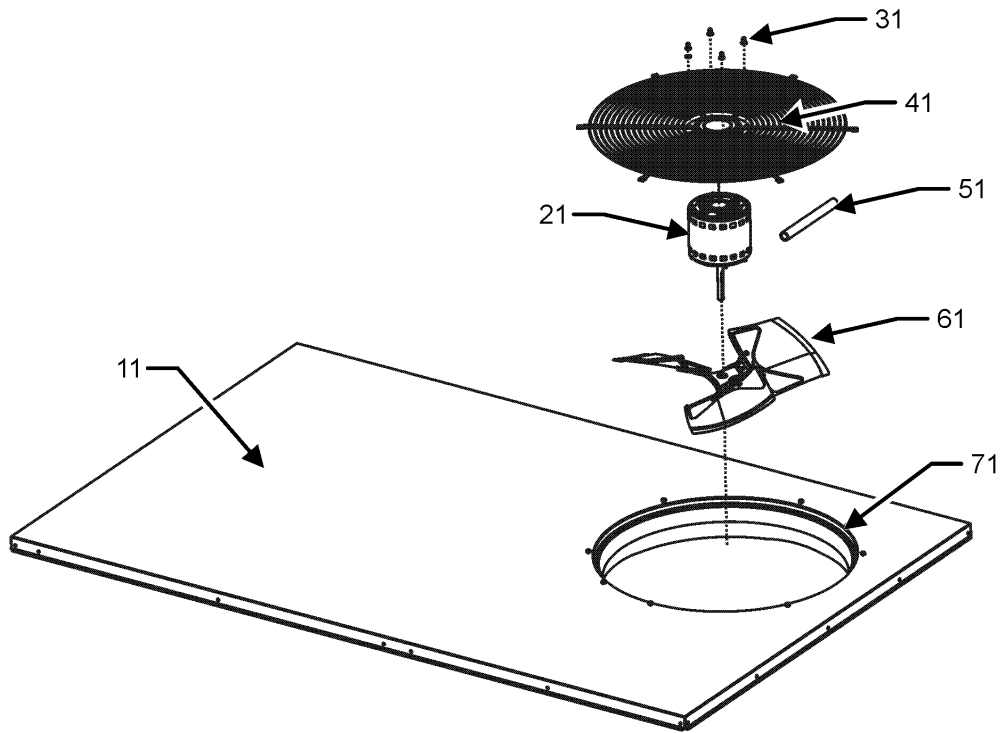
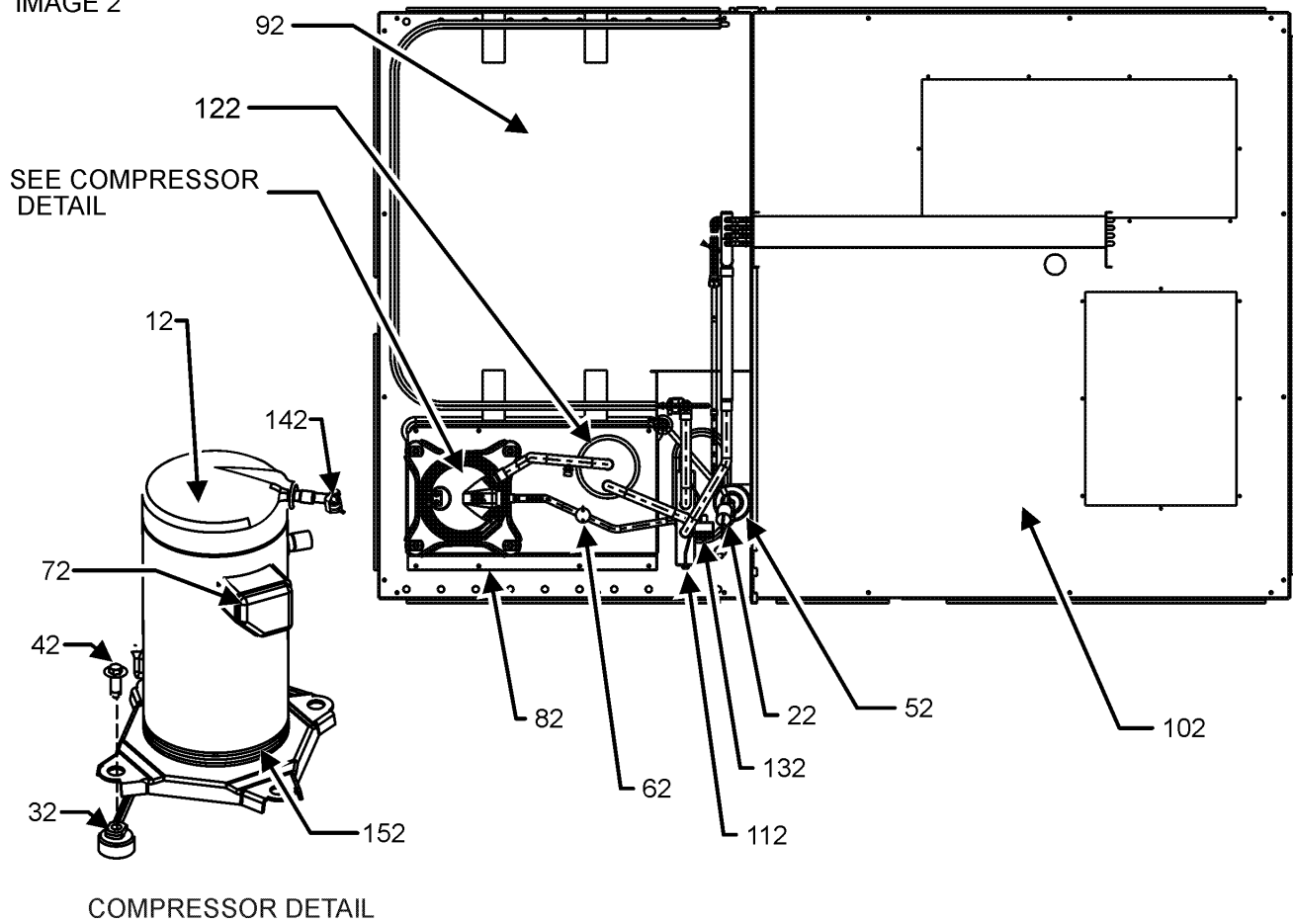


IMAGE 2



# Top Panel and Tubing Assembly

Ref. Part No:	No:	Description:	Ref. Part No:	No:	Description:
<b>Image 1:</b>			<b>Expanded Model Nomenclature</b>		
11	0121L00235NG	TOP PANEL	M1	-	DSH060XXX3BHDDAA
21	0131M00840	MOTOR, 1/3 HP, OD (M1, M2, M3, M4, M5, M12, M13, M14)	M2	-	DSH060XXX3BHXXAA
21	0131M00841	MOTOR, 1/3 HP, OD (M6, M7, M8, M9, M16, M17, M18, M19, M20, M21, M22, M24, M25)	M3	-	DSH060XXX3BXXXAA
21	0131M00842	MOTOR, 1/3 HP, OD (M10)	M4	-	DSH060XXX3B1DDAA
21	0131L00064	MOTOR, COND, 1/3 HP, 208/230V (M11, M15)	M5	-	DSH060XXX3B2PDAA
21	0131L00065	MOTOR, COND, 1/3 HP, 460V (M23)	M6	-	DSH060XXX4BBXXAA
31	0163M00006P	ACORN NUT 5/16 HEX BLACK (QTY 4)	M7	-	DSH060XXX4BFXXAA
41	0152G00000	FAN GRILLE, RAISED	M8	-	DSH060XXX4BXDXAA
51	0161R00003P	CONDUIT	M9	-	DSH060XXX4BXXAA
61	B1086765	FAN BLADE TYPE 3	M10	-	DSH060XXX7BXXAA
71	0161L00000	VENTURI RING 22"	M11	-	DSH0600103BHXFAA
NS	0163M00004	SCREW #10X3/4", BLACK (QTY 3)	M12	-	DSH0600103BVDDAA
NS	0163M00005P	WASHER, BLACK (.50 OD .218ID) (QTY 4)	M13	-	DSH0600103BWBAAA
<b>Image 2:</b>			M14	-	DSH0600103BWBAAA
12	ZP51K5ETF5130	COMPRESSOR 51000, 208/230/60/3 (M1, M2, M3, M4, M5, M11, M12, M13, M14, M15)	M15	-	DSH0600103BXXQAA
12	ZP51K5ETFD130	COMPRESSOR 51000, 460/60/3 (M6, M7, M8, M9, M16, M17, M18, M19, M20, M21, M22, M23, M24, M25)	M16	-	DSH0600104BHBAAA
12	ZP51K5ETFE130	COMPRESSOR 51000, 575/60/3 (M10)	M17	-	DSH0600104BHBXAA
22	0130M00075	CUT-OUT SWITCH, LOW PRESSURE	M18	-	DSH0600104BMDXAA
32	B1339533	COMPRESSOR GROMMET (QTY 4)	M19	-	DSH0600104BXXXAA
42	M0221641	TF SHOULDER SCREW (QTY 4)	M20	-	DSH0600154BAXDAA
52	20485201	BI-FLOW FILTER DRIER	M21	-	DSH0600154BHXOAA
62	0130M00074	CUT-OUT SWITCH, HIGH PRESSURE	M22	-	DSH0600154BRXXAA
72	0159L00065	COMPRESSOR SCROLL HARNESS	M23	-	DSH0600204BJBLAA
82	0121L01308	MOUNTING PLATE-COMPRESSOR	M24	-	DSH0600204BWDAAA
92	0121L01990	BASE PAN, OUTDOOR	M25	-	DSH0600204BWBAAA
102	0121L02619	BASE PAN, INDOOR			
112	0151R00071	REVERSING VALVE			
122	B1226207	ACCUMULATOR			
132	B1225022	SOLENOID			
142	0130M00106	DISC THERMOSTAT CRNKCS HTR SW (M1, M2, M3, M4, M5, M11, M12, M13, M14, M15)			
152	0130L00019	CRANK CASE HEATER, 70W, 575V (M10)			
152	0130L00017	CRANK CASE HEATER-70W 240V (M1, M2, M3, M4, M5, M11, M12, M13, M14, M15)			
152	0130L00018	CRANK CASE HEATER-70W, 480V (M6, M7, M8, M9, M16, M17, M18, M19, M20, M21, M22, M23, M24, M25)			
NS	B1373315	ACCESS FITTING (QTY 2)			
NS	0141L00003X	FORK BOARD (QTY 2)			
NS	0121L00055	FORK BOARD BRACKET (QTY 4)			

# Cabinet Assembly

IMAGE 1

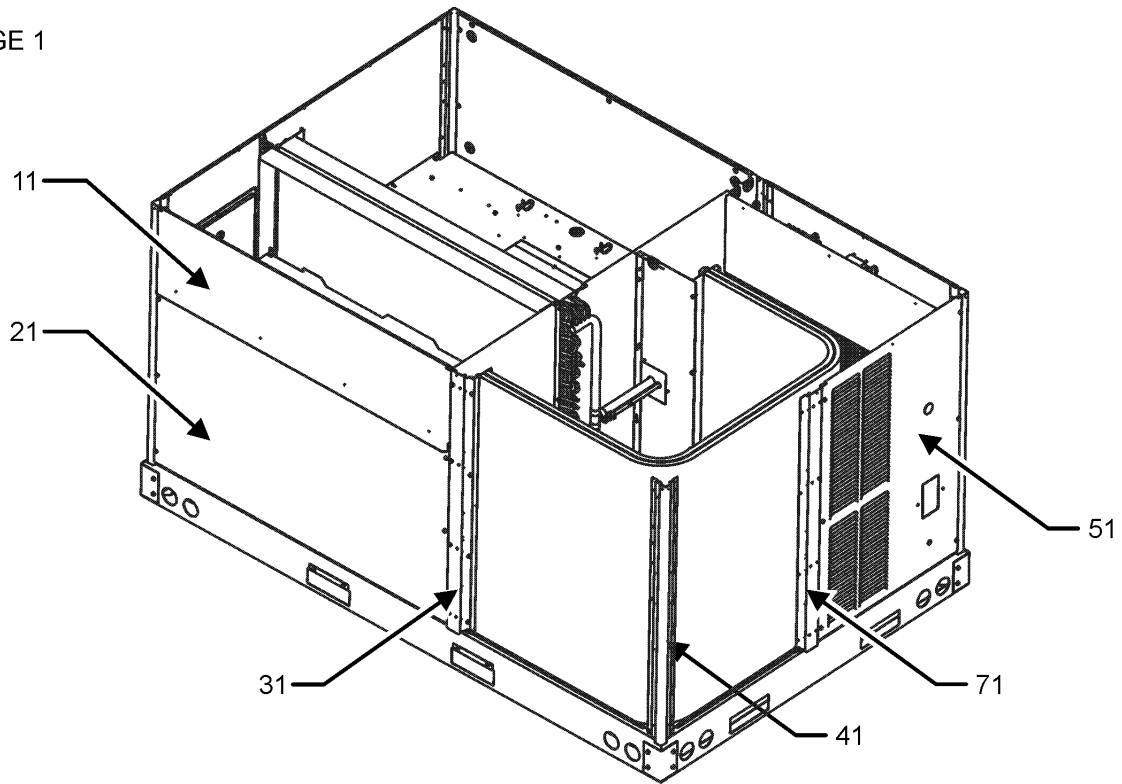
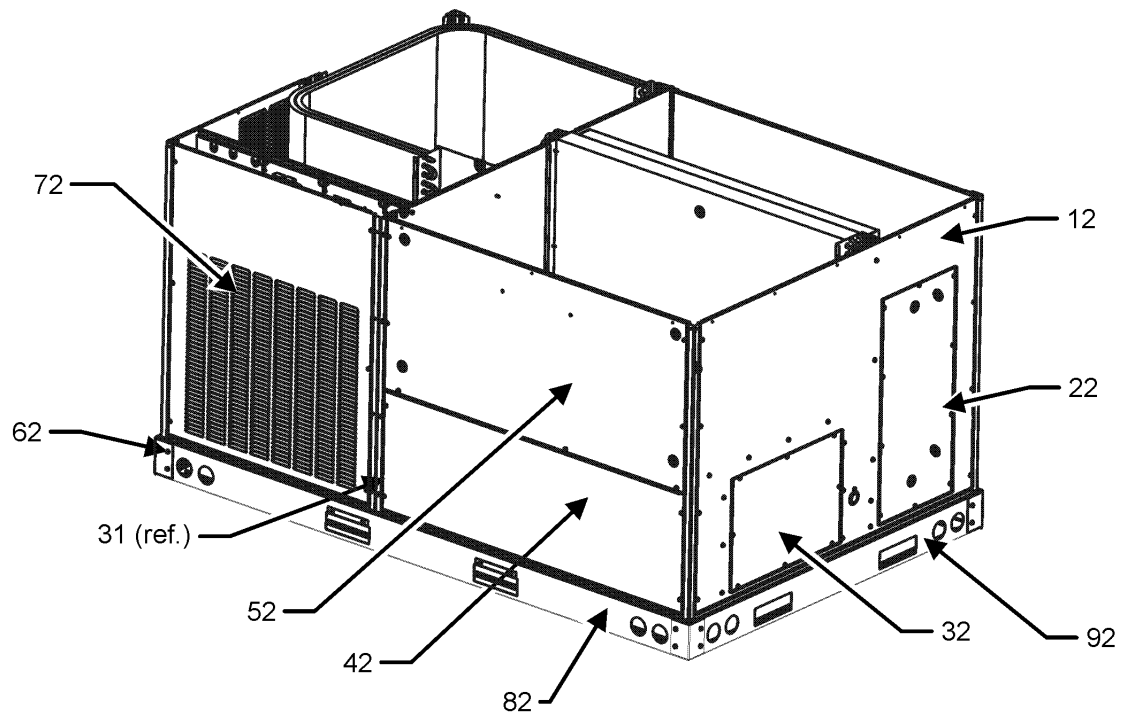


IMAGE 2



# Cabinet Assembly

## Ref. Part

No: No: Description:

### Image 1:

11	0270L00363NG	FILTER DOOR
21	0121L00976NG	ECONOMIZER DOOR (M1, M2, M3, M4, M5, M6, M8, M9, M10, M11, M12, M13, M14, M15, M16, M17, M18, M19, M21, M24, M25)
31	0121L00343RFNG	POST-SIDE SUPPORT (QTY 2)
41	0121L00344RFNG	CORNER POST (QTY 2)
41	0121L02554RFNG	PNT, CORNER POST (M1, M4, M5, M8, M12, M18, M24, M25)
51	0121L00354NG	LOUVERED COMPRESSOR PANEL (M3, M5, M6, M7, M8, M9, M10, M11, M12, M13, M15, M16, M17, M18, M19, M20, M21, M22, M23, M24, M25)
51	0121L00840NG	PNT, COMP LOUVER DISC PNL (M1, M2, M4, M14)
71	0121L01169RFNG	POST-SIDE SUPPORT (M2, M3, M6, M7, M9, M10, M11, M13, M14, M15, M16, M17, M19, M20, M21, M22, M23)
71	0121L01382RFNG	SIDE POST (M1, M4, M5, M8, M12, M18, M24, M25)
NS	0121L01309	ECONOMIZER COVER (M7, M20, M22, M23)
NS	0164L00009	GASKET-RUBBER, CPOST (QTY 3)
NS	0164L00011	GASKET-RUBBER, SIDE POST (QTY 2)

### Image 2:

12	0121L00342NG	DUCT PANEL
22	0121L00023NG	RETURN DUCT COVER
32	0121L00024NG	SUPPLY DUCT COVER
42	0121L01176NG	ELECTRIC HEAT DOOR
52	0121L01172NG	BLOWER DOOR
62	0121G00301	RAIL CORNER BRACKET (QTY 4)
72	0121L01170NG	LOUVERED CONTROL PANEL (M2, M3, M6, M7, M9, M10, M11, M13, M14, M15, M16, M17, M19, M20, M21, M22, M23)
72	0121L02552NG	PNT, CONTROL DOOR (M1, M4, M5, M8, M12, M18, M24, M25)
82	0121L00244RF	SIDE RAIL (QTY 2)
92	0121L00245	END RAIL
NS	0121L02655	END RAIL

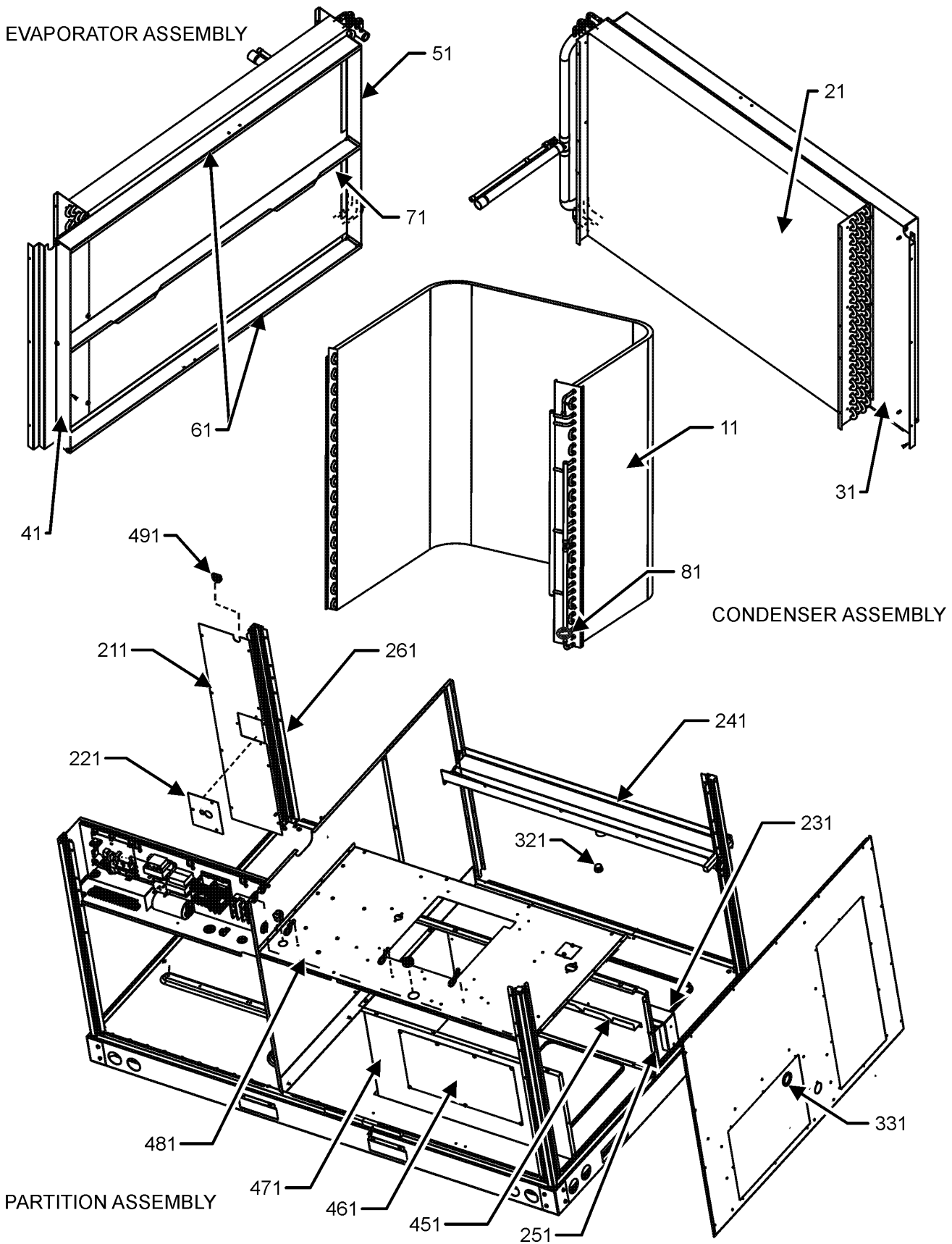
## Ref. Part

No: No: Description:

### Expanded Model Nomenclature

M1 - DSH060XXX3BHDDAA
M2 - DSH060XXX3BHXXAA
M3 - DSH060XXX3BXXXAA
M4 - DSH060XXX3B1DDAA
M5 - DSH060XXX3B2PDAA
M6 - DSH060XXX4BBXXAA
M7 - DSH060XXX4BFXXAA
M8 - DSH060XXX4BXDXAA
M9 - DSH060XXX4BXXXAA
M10 - DSH060XXX7BXXXAA
M11 - DSH0600103BHXFAA
M12 - DSH0600103BVDDAA
M13 - DSH0600103BWBAAA
M14 - DSH0600103BWBAAA
M15 - DSH0600103BXXQAA
M16 - DSH0600104BHBAAA
M17 - DSH0600104BHBXAA
M18 - DSH0600104BMDXAA
M19 - DSH0600104BXXXAA
M20 - DSH0600154BAXDAA
M21 - DSH0600154BHXOAA
M22 - DSH0600154BRXXAA
M23 - DSH0600204BJBLAAA
M24 - DSH0600204BWDAAA
M25 - DSH0600204BWDAAA

# Partition, Condenser and Evaporator Assy

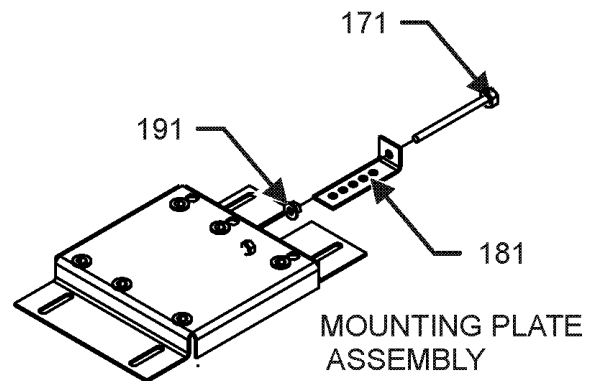
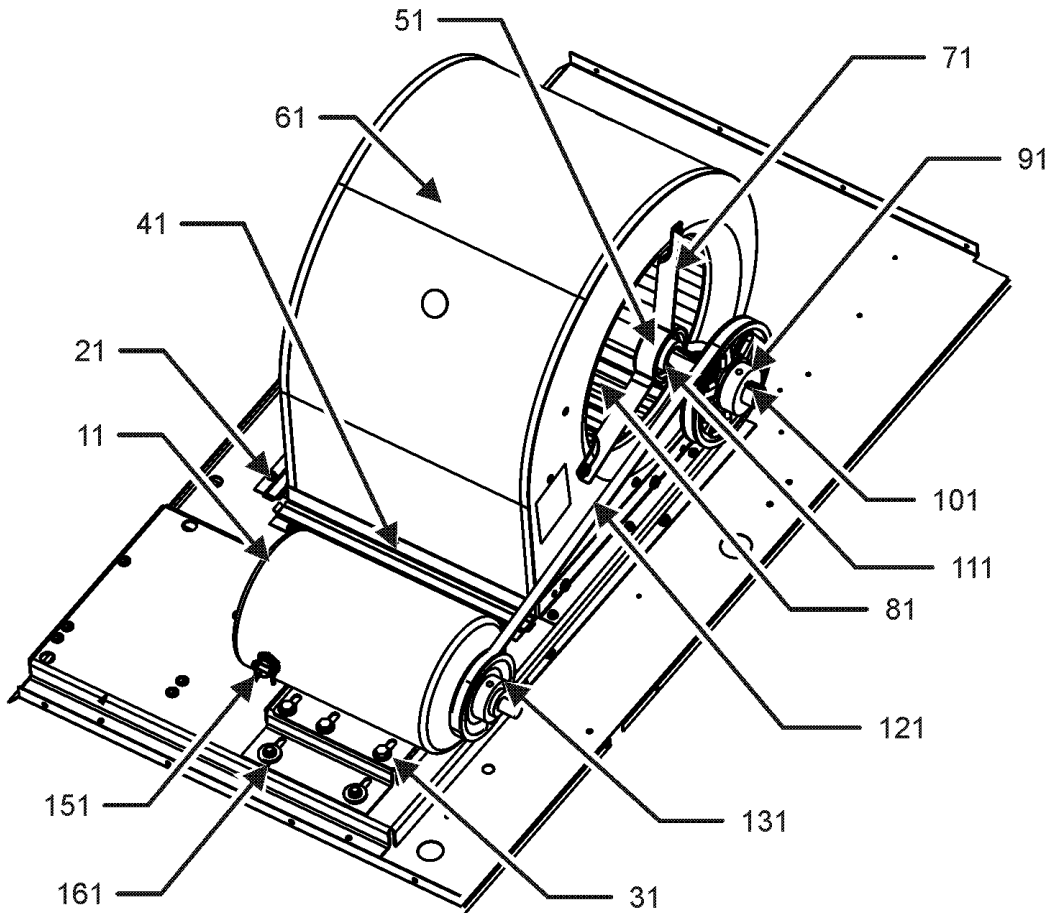


# Partition, Condenser and Evaporator Assy

Ref. Part No:	Part No:	Description:	Ref. Part No:	Part No:	Description:
<b>Image 1:</b>			<b>Expanded Model Nomenclature</b>		
11	0201L00289	COND COIL TUBING ASSY	M1	-	DSH060XXX3BHDDAA
21	0202L00156	EVAP COIL TUBING ASSY	M2	-	DSH060XXX3BHXXAA
31	0121L00345	BLOCKOFF-EVAPORATOR (M1, M4, M5, M12, M15, M20)	M3	-	DSH060XXX3BXXXAA
31	0121L00398	BLOCKOFF-EVAPORATOR (M1, M4, M5, M12, M15, M20)	M4	-	DSH060XXX3B1DDAA
41	0121L00358	FILTER ANGLE-VERTICAL (HAIRPIN SIDE)	M5	-	DSH060XXX3B2PDAA
51	0121L00357	FILTER ANGLE-VERTICAL (RETURN SIDE)	M6	-	DSH060XXX4BBXXAA
61	0121L00932	FILTER ANGLE-HORIZONTAL (QTY 2)	M7	-	DSH060XXX4BFXXAA
71	0121L01255	ANGLE-FILTER CENTER	M8	-	DSH060XXX4BXDXAA
81	0130M00101	CONTROL,DEFROST	M9	-	DSH060XXX4BXXXAA
211	0121L00348	COND BLOCK-OFF	M10	-	DSH060XXX7BXXXAA
221	0121L00939	CONDENSER BLOCKOFF PLATE	M11	-	DSH0600103BHXFAA
231	0121L00238	DRAIN PAN SUPPORT	M12	-	DSH0600103BVDDAA
241	0161L00005	DRAIN PAN	M13	-	DSH0600103BWBAAA
251	0121L02123	DECK SIDE CHANNEL	M14	-	DSH0600103BWBBA
261	0121L00349	COND MOUNTING ANGLE	M15	-	DSH0600103BXXQAA
321	0163L00071	DRAIN PLUG	M16	-	DSH0600104BHBAAA
331	0154L00009	DRAIN PAN GASKET	M17	-	DSH0600104BHBXAA
451	0121L00288	ELECTRIC HEAT RETAINER	M18	-	DSH0600104BMDXAA
461	0121L00144	ELECTRIC HEAT COVER	M19	-	DSH0600104BXXXAA
471	0121L00256	ELECTRIC HEAT PANEL	M20	-	DSH0600154BAXDAA
481	0121L03396	DECK-BLOWER	M21	-	DSH0600154BHXOAA
491	A4568804	GROMMET-D (QTY 4)	M22	-	DSH0600154BRXXAA
NS	0160L00174	AIR FILTER 16 X 20 X 2 (QTY 4)	M23	-	DSH0600204BJBLAA
NS	0121L01377	BLOWER DECK SUPPORT (M1, M4, M5, M8, M12, M18, M24, M25)	M24	-	DSH0600204BWDAAA
NS	0121L00321	SMOKE DETECTOR COVER	M25	-	DSH0600204BWBAAA

# Blower Assembly

## BLOWER HOUSING AND MOTOR ASSEMBLY



# Blower Assembly

Ref. Part No:	Part No:	Description:	Ref. Part No:	Part No:	Description:
---------------	----------	--------------	---------------	----------	--------------

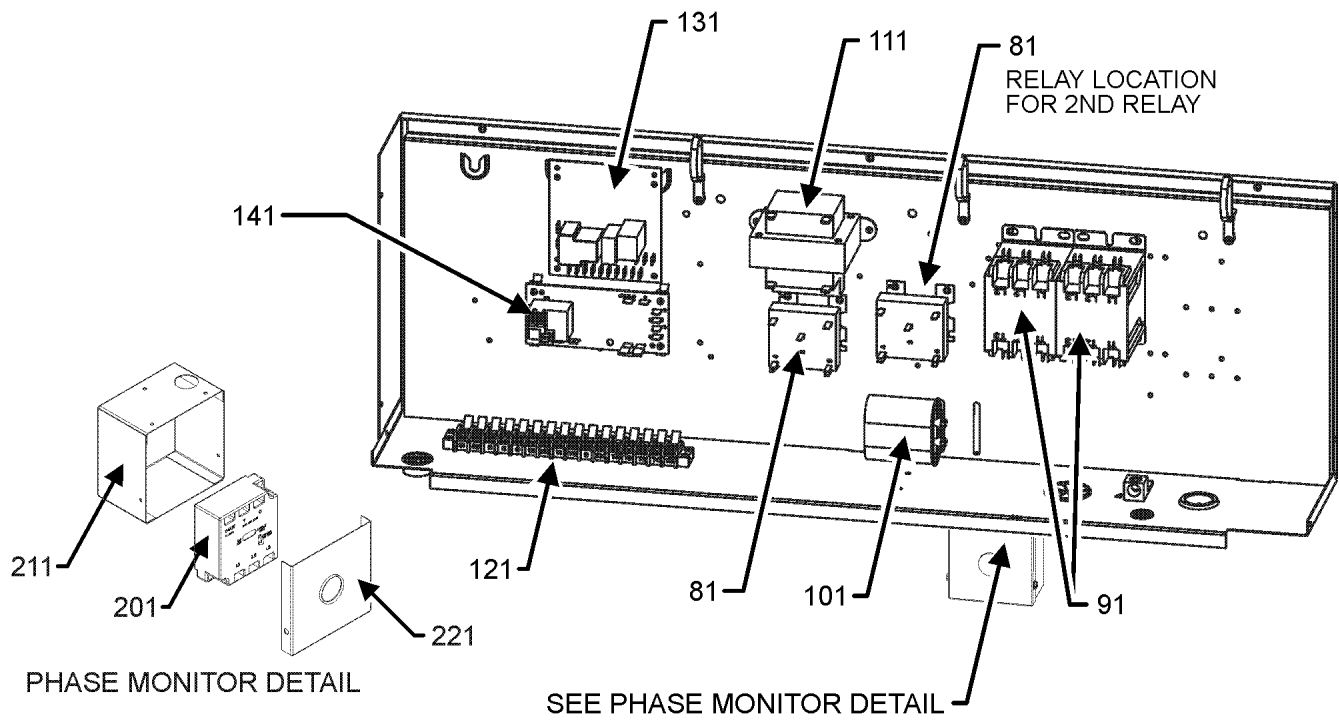
**Image 1:**

11	0131L00067	MOTOR, 1 HP BELT DRIVE (M1, M2, M3, M4, M5, M6, M7, M8, M9, M11, M12, M13, M14, M15, M16, M17, M18, M19, M20, M21, M22, M23, M24, M25)
11	0131L00079	MOTOR, 1 HP BELT DRIVE (M10)
21	0121L00297	BLOWER SIDE ANGLE (QTY 3)
31	0121L01619	MOTOR BASE
41	0121L00281	BLOWER MOUNTING ANGLE
51	0163L00005	BELT DRIVE BLOWER SHAFT
61	2539302F	BLOWER HOUSING 11 X 10
71	B3201300	MOUNTING BRACKET BEARING (QTY 2)
81	B1368056	BELT DRIVE BLOWER WHEEL
91	0163L00135	SHEAVE, FIXED AK66H
91	0163L00135	SHEAVE, FIXED AK66H
101	0163M00407	MACHINE KEY, SPECIAL
111	0163L00247	BEARING, BALL, MOUNTED (QTY 2)
121	0164L00010	FAN BELT, NOTCHED
131	B2120014	VARIABLE PITCH SHEAVE 1VL44 X 7/8"
151	B1393726	ELECT. CONNECTING BUSHING
161	B1393738	BOLT 1/4-20 X 3/4" (QTY 4)
171	0163M00045	BOLT 1/4-20 X 4"
181	3225000F	BELT TIGHTENER ANGLE
191	B1393023	NUT / LOCK .25-20
NS	1864703	BLOWER CUT-OFF ASM,5TON,MORRIS
NS	B1398603	STEEL KEY (000158812) 4.5"

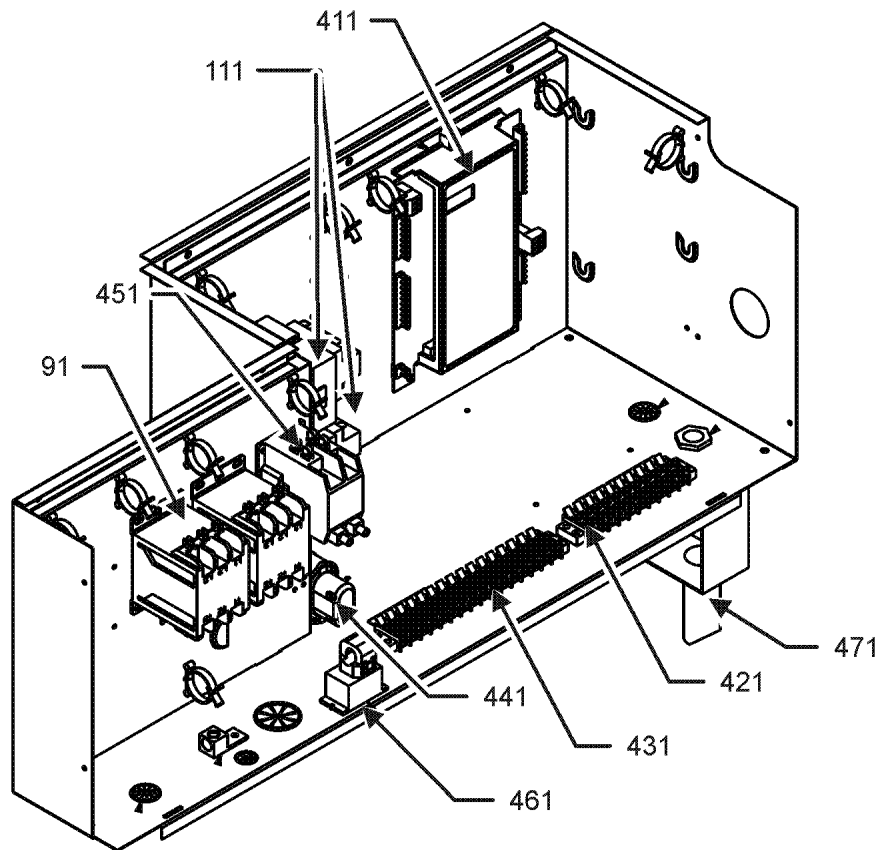
**Expanded Model Nomenclature**

M1 - DSH060XXX3BHDDAA
M2 - DSH060XXX3BHXXAA
M3 - DSH060XXX3BXXXAA
M4 - DSH060XXX3B1DDAA
M5 - DSH060XXX3B2PDAA
M6 - DSH060XXX4BBXXAA
M7 - DSH060XXX4BFXXAA
M8 - DSH060XXX4BXDXAA
M9 - DSH060XXX4BXXXAA
M10 - DSH060XXX7BXXXAA
M11 - DSH0600103BHXFAA
M12 - DSH0600103BVDDAA
M13 - DSH0600103BWBAAA
M14 - DSH0600103BWBBA
M15 - DSH0600103BXXQAA
M16 - DSH0600104BHBAAA
M17 - DSH0600104BHBXAA
M18 - DSH0600104BMDXAA
M19 - DSH0600104BXXXAA
M20 - DSH0600154BAXDAA
M21 - DSH0600154BHXOAA
M22 - DSH0600154BRXXAA
M23 - DSH0600204BJBLAA
M24 - DSH0600204BWDAAA
M25 - DSH0600204BWDAAA

# Control Box Assembly



CONTROL BOX FOR MODELS WITH DDC CONTROL



# Control Box Assembly

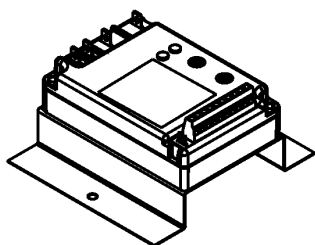
Ref. Part No:	Ref. Part No:	Description:	Description:
<b>Image 1:</b>		<b>Expanded Model Nomenclature</b>	
81	0130M00025	RELAY, SPDT (M6, M7, M8, M9, M10, M16, M17, M18, M19, M20, M21, M22, M23, M24, M25)	M1 - DSH060XXX3BHDDAA M2 - DSH060XXX3BHXXAA M3 - DSH060XXX3BXXXAA M4 - DSH060XXX3B1DDAA M5 - DSH060XXX3B2PDAA M6 - DSH060XXX4BBXXAA M7 - DSH060XXX4BFXXAA M8 - DSH060XXX4BXDXAA M9 - DSH060XXX4BXXXAA M10 - DSH060XXX7BXXXAA M11 - DSH0600103BHXFAA M12 - DSH0600103BVDDAA M13 - DSH0600103BWBAAA M14 - DSH0600103BWBAAA M15 - DSH0600103BXXQAA M16 - DSH0600104BHBAAA M17 - DSH0600104BHBXAA M18 - DSH0600104BMDXAA M19 - DSH0600104BXXXXAA M20 - DSH0600154BAXDAA M21 - DSH0600154BHXOAA M22 - DSH0600154BRXAAA M23 - DSH0600204BJBLAA M24 - DSH0600204BWDAAA M25 - DSH0600204BWBAAA
91	CONT3P025024V	CONTACTOR 25 AMP, 3P, 24V (M6, M7, M8, M9, M10, M16, M17, M18, M19, M20, M21, M22, M23, M24, M25)	
91	CONT3P030024V	CONTACTOR 30 AMP, 3P, 24V (M1, M2, M3, M4, M5, M11, M12, M13, M14, M15)	
101	CAP100000440LA	CAP 10 MFD/440V/OVAL	
111	0130M00594	TRANSFORMER (M1, M2, M3, M4, M5, M11, M12, M13, M14, M15)	
111	0130M00595	TRANSFORMER, 75VA, 480V TO 24V (M6, M7, M8, M9, M16, M17, M18, M19, M20, M21, M22, M23, M24, M25)	
111	0130M00598	TRANSFORMER, 75VA, 575V TO 24V (M10)	
121	0130M00038	TERMINAL BOARD	
131	PCBDM133	PCB, DEFROST CONTROL	
141	PCBFM103	PCB, TIME DELAY, EBTDR	
201	0130L00105	PHASE MONITOR (M13, M14, M16, M17, M23)	
211	0121L01468	CONTROL, PH MON BOX (M13, M14, M16, M17, M23)	
221	0121L01467	CONTROL, PH MON LID (M13, M14, M16, M17, M23)	
411	PCBCG103	PCB, CONTROL, HP, GAS, AC (M6, M7, M18, M22)	
421	0130M00274	TERMINAL BOARD (M6, M7, M18, M22)	
431	0130M00275	TERMINAL BOARD (M6, M7, M18, M22)	
441	B821700	BOOT, CAPACITOR (M6, M7, M18, M22)	
451	CONT2P040024V	CONT, 2 POLE, 40 AMP, 24 VAC (M6, M7, M18, M22)	
461	0259L00368	CURRENT SWITCH WITH TERMS (M6, M7, M18, M22)	
471	0130L00108	OD Air Temp Sensor (M6, M7, M18, M22)	
NS	0130L00112	Duct Temp Sensor (M6, M7, M18, M22)	
NS	0259L00178	HARNESS, ECONOMIZER	
NS	0259L00054	HARNESS, WIRING (M6, M7, M18, M22)	
NS	0259L00065	HARNESS, WIRING (M1, M2, M3, M5, M6, M7, M8, M9, M10, M11, M12, M13, M14, M15, M16, M17, M18, M19, M20, M21, M22, M23, M24, M25)	
NS	0259L00070	HARNESS, WIRING (M11, M15)	
NS	0259L00094	HARNESS, WIRING (M4)	
NS	0259L00077	HARNESS-DEFROST (M1, M2, M3, M4, M5, M11, M12, M13, M14, M15)	
NS	0259L00078	HARNESS-DEFROST (M6, M7, M8, M9, M10, M16, M17, M18, M19, M20, M21, M22, M23, M24, M25)	
NS	0259L00092	HARNESS-SMOKE DETECTOR SENSOR (M21, M23)	
NS	0130L00107	ROOM SENSOR (M6, M7, M18, M22)	
NS	0259L00427	WIRE ASSY (M13, M14, M17)	
NS	0259L00428	WIRE ASSY (M13, M14, M16, M17, M23)	
NS	0259L01054	WIRE HARNESS ASSY (M4, M5)	
NS	0259L00122	WIRE HARNESS, CONTROL	
NS	0259L00090	WIRE HARNESS-SMOKE DETECTOR (M1, M4, M5, M12, M15, M16, M20, M21, M23)	
NS	0259L00061	WIRING, HARNESS	

# Accessory Parts List

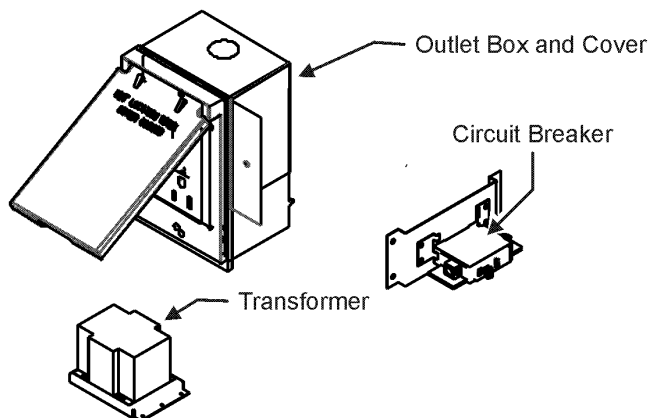
## ACCESSORY PARTS LIST

NOTE: NOT ALL OPTIONS AVAILABLE FOR ALL PRODUCTS

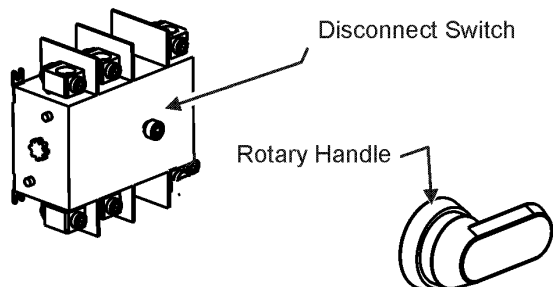
### 1 LOW AMBIENT KITS



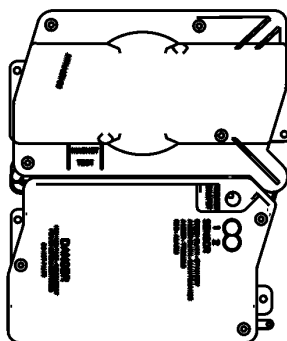
### 2 GFCI CONVENIENCE OUTLET



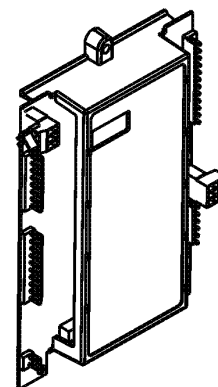
### 3 DISCONNECT MODULE (NON-FUSED)



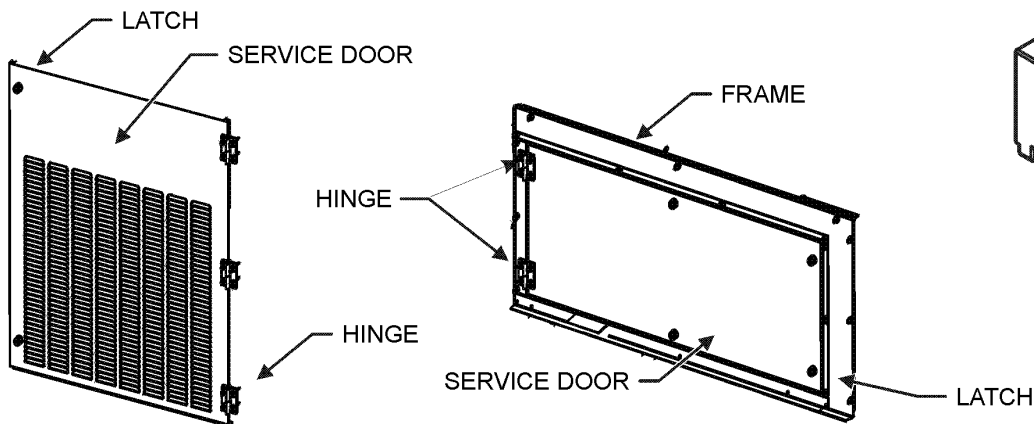
### 4 SMOKE DETECTORS



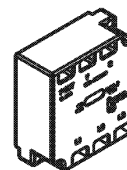
### 5 DDC CONTROL



### 6 HINGED DOOR ASSEMBLIES



### 7 PHASE MONITOR



# Accessory Parts List

Ref. Part No:	No:	Description:	Ref. Part No:	No:	Description:
<b>Image 1:</b>			<b>Image 1:</b>		
NS	EHK3-10	10 KW 203-230/3 ELECTRIC EHAT (M11, M12, M13, M14, M15)	NS	0130L00046	SWITCH-DISCONNECT 60A (M11, M13, M16, M17, M18, M21, M22, M23, M24, M25)
NS	EHK4-10	10 KW 460/3 ELECTRIC HEAT (M16, M17, M18, M19)	NS	0130M00061	TRANSFORMER, CONVENIENCE OUTLET (M14, M15, M21, M25)
NS	EHK4-15	15 KW 460/3 (M20, M21, M22)	<b>Expanded Model Nomenclature</b>		
NS	EHK4-20	20 KW 460/3 ELECTRIC HEAT (M23, M24, M25)	M1	-	DSH060XXX3BHDDAA
NS	1036609C	3-6 TON DFLOW ECONOMIZER (M20, M23)	M2	-	DSH060XXX3BHXXAA
NS	DDNECNJ3672C	3-6 TON DFLOW ECONOMIZER (M5, M12, M13, M14, M24, M25)	M3	-	DSH060XXX3BXXXAA
NS	10366D09C	3-6 TON DFLOW ECONOMIZER, DDC (M7, M22)	M4	-	DSH060XXX3B1DDAA
NS	0121L01934	BRACKET SMOKE DETECTOR (M1, M4, M5, M12, M15, M16, M20, M21, M23)	M5	-	DSH060XXX3B2PDAA
NS	0121L00316	BRACKET-CONV OUTLET MOUNT (M11, M13, M14, M15, M21, M23, M24, M25)	M6	-	DSH060XXX4BBXXAA
NS	0121L00835	BRACKET-DISCONNECT SWITCH (M1, M2, M4, M11, M13, M14, M16, M17, M18, M21, M22, M23, M24, M25)	M7	-	DSH060XXX4BFXXAA
NS	0130M00065	CIRCUIT BREAKER, CONVENIENCE OUTLET (M14, M15, M21, M25)	M8	-	DSH060XXX4BXDXAA
NS	0121L00837NG	DISCONNECT COVER (M1, M2, M4, M11, M13, M14, M16, M17, M18, M21, M22, M23, M24, M25)	M9	-	DSH060XXX4BXXXAA
NS	0130L00012	GANG BOX-GFCI OUTLET (M11, M13, M14, M15, M21, M23, M24, M25)	M10	-	DSH060XXX7BXXXAA
NS	0130L00039	HANDLE, ROTARY (M1, M2, M4, M11, M13, M14, M16, M17, M18)	M11	-	DSH0600103BHXFAA
NS	0163M00307	HINGE, LEFT HAND (M1, M4, M5, M8, M12, M18, M24, M25)	M12	-	DSH0600103BVDDAA
NS	0163M00308	HINGE, RIGHT HAND (M1, M4, M5, M8, M12, M18, M24, M25)	M13	-	DSH0600103BWBAAA
NS	0163M00360	LATCH (M1, M4, M5, M8, M12, M18, M24, M25)	M14	-	DSH0600103BWBAAA
NS	0130M00058	LOW AMBIENT KIT (M11, M15, M23)	M15	-	DSH0600103BXXQAA
NS	0121L02510NG	PNT, BLOWER DOOR FRAME (M1, M4, M5, M8, M12, M18, M24, M25)	M16	-	DSH0600104BHBAAA
NS	0161G00012	POWER OUTLET BOX (M11, M13, M14, M15, M21, M23, M24, M25)	M17	-	DSH0600104BHBAAA
NS	0130L00103	RECEPTACLE-GFCI OUTLET (M11, M13, M14, M15, M21, M23, M24, M25)	M18	-	DSH0600104BMDAAA
NS	RS400	REMOTE SENSOR (M4, M5)	M19	-	DSH0600104BXXXAA
NS	SP400	SENSOR PACK (M4, M5)	M20	-	DSH0600154BAXDAA
NS	0121L02529NG	SERVICE DOOR BACK, BLOWER (M1, M4, M5, M8, M12, M18, M24, M25)	M21	-	DSH0600154BHXOAA
NS	0121L02528NG	SERVICE DOOR FRONT, BLOWER (M1, M4, M5, M8, M12, M18, M24, M25)	M22	-	DSH0600154BRXAAA
NS	0130L00040	SHAFT, CUT (M2)	M23	-	DSH0600204BJBLAA
NS	0130L00042	SHAFT, CUT (M11, M13, M16, M17, M18, M21, M22, M23, M24, M25)	M24	-	DSH0600204BWDAAA
NS	0130L00049	SHAFT, DISCONNECT (M1, M4, M14)	M25	-	DSH0600204BWBAAA
NS	D4120	SMOKE DETECTOR, PHOTO 4WIRE (M1, M4, M5, M12, M15, M16, M20, M21, M23)			
NS	D4S	SMOKE DETECTOR, SENSOR ONLY (M21, M23)			
NS	ECP400-5	SURVEYOR ECP (M4, M5)			
NS	0130L00027	SWITCH-DISCONNECT 100A (M1, M4, M14)			
NS	0130L00028	SWITCH-DISCONNECT 150A (M2)			