

Commercial 5 Ton High Static Package Heat Pump

DSH0600103HRXAAA
DSH0600103HWBAAA
DSH0600104HWXXAA
DSH0600154HJXFAA
DSH0600203HRMFAA
DSH0600203HWXCAA
DSH060XXX3HVDXAA
DSH060XXX3HXDXAA
DSH060XXX3HXXAAA
DSH060XXX3HXXXAA



This manual is to be used by qualified technicians only.

This manual replaces RP-D1202B.

Important Information

Index

Functional Parts List	3
Illustration and Parts	4 - 15

Views shown are for parts illustrations only, not servicing procedures

Text Codes:

AR - As Required

NA - Not Available

NS - Not Shown

00000000 - See Note

QTY - Quantity Example (QTY 3) (If Quantity not shown, Quantity = 1)

M - Model Example (M1) (If M Code not shown, then part is used on all Models)

Expanded Model Nomenclature:

Example M1 - Model#1 M2 - Model#2 M3 - Model#3

Daikin Company, L.P. is not responsible for personal injury or property damage resulting from improper service. Review all service information before beginning repairs.

Warranty service must be performed by an authorized technician, using authorized factory parts. If service is required after the warranty expires, Daikin Company, L.P. also recommends contacting an authorized technician and using authorized factory parts.

Daikin Company, L.P. reserves the right to discontinue, or change at any time, specifications or designs without notice or without incurring obligations.

For assistance within the U.S.A. contact:

Equipment Support
Daikin North America, LLC
19001 Kermier Road
Waller, Texas 77484
855-770-5678-Telephone
713-863-2382-Facsimile

For assistance outside the U.S.A. contact:

International Division
Daikin North America, LLC
19001 Kermier Road
Waller, Texas 77484
713-861-2500-Telephone
713-863-2382-Facsimile

Functional Parts

Part

No: Description:

CAP100000440LA	CAP 10 MFD/440V/OVAL (M1, M2, M3, M4, M6, M7, M8, M10)
CAP100000370LA	CAPACITOR 10/370V (M5, M9)
ZP51K5ETF5130	COMPRESSOR 51000, 208/230/60/3 (M1, M2, M3, M4, M5, M6, M9, M10)
ZP51K5ETFD130	COMPRESSOR 51000, 460/60/3 (M7, M8)
CONT3P025024V	CONTACTOR 25 AMP, 3P, 24V (M7, M8)
CONT3P030024V	CONTACTOR 30 AMP, 3P, 24V (M1, M2, M3, M4, M5, M6, M9, M10)
0130M00101	CONTROL,DEFROST
0130M00074	CUT-OUT SWITCH, HIGH PRESSURE
0130M00075	CUT-OUT SWITCH, LOW PRESSURE
0130M00106	DISC THERMOSTAT CRNKCS HTR SW (M1, M2, M3, M4, M5, M6, M9, M10)
0164L00002	FAN BELT, NOTCHED
B1086765	FAN BLADE TYPE 3
0131M00840	MOTOR, 1/3 HP, OD (M1, M2, M3, M4, M5, M6, M9)
0131M00841	MOTOR, 1/3 HP, OD (M7)
0131L00092	MOTOR, 208-230 & 460V/60HZ 3PH
0131L00064	MOTOR, COND, 1/3 HP, 208/230V (M10)
0131L00065	MOTOR, COND, 1/3 HP, 460V (M8)
PCBDM133	PCB, DEFROST CONTROL
PCBFM103	PCB, TIME DELAY, EBTDR
0130M00025	RELAY, SPDT (M7, M8)
0151R00071	REVERSING VALVE
B1225022	SOLENOID
0130M00594	TRANSFORMER (M1, M2, M3, M4, M5, M6, M9, M10)
0130M00595	TRANSFORMER, 75VA, 480V TO 24V (M7, M8)

Expanded Model Nomenclature

M1 - DSH060XXX3HVDXAA
M2 - DSH060XXX3HXDXAA
M3 - DSH060XXX3HXXAAA
M4 - DSH060XXX3HXXXAA
M5 - DSH0600103HRXAAA
M6 - DSH0600103HWBAAA
M7 - DSH0600104HWXXAA
M8 - DSH0600154HJXFAA
M9 - DSH0600203HRMFAA
M10 - DSH0600203HWXCAA

Top Panel and Tubing Assembly

IMAGE 1

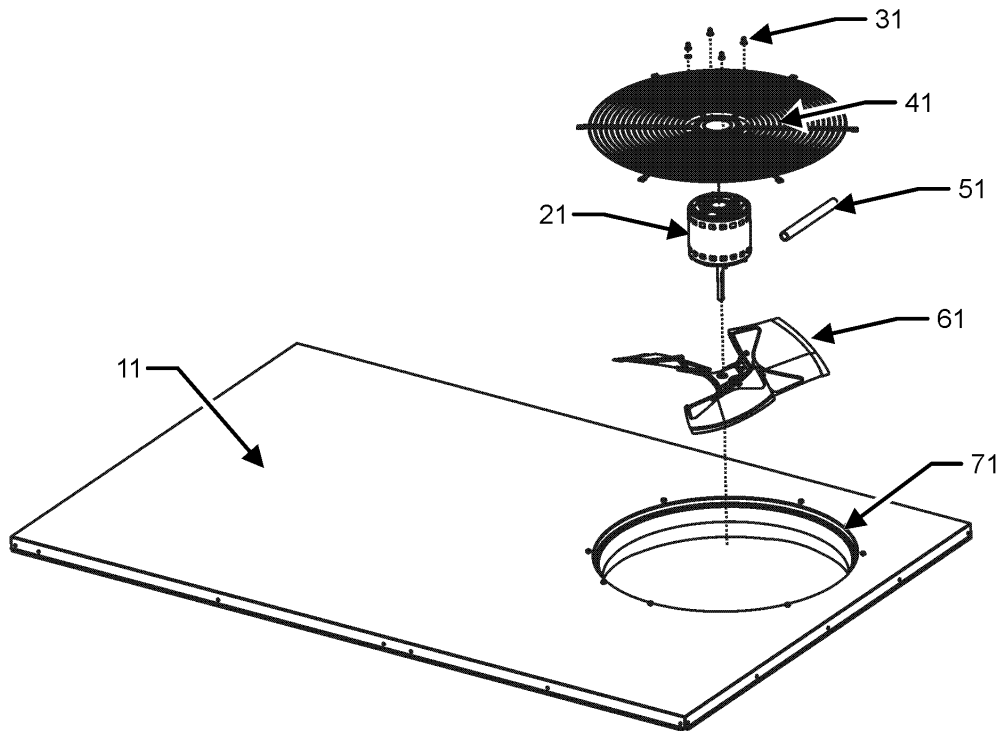
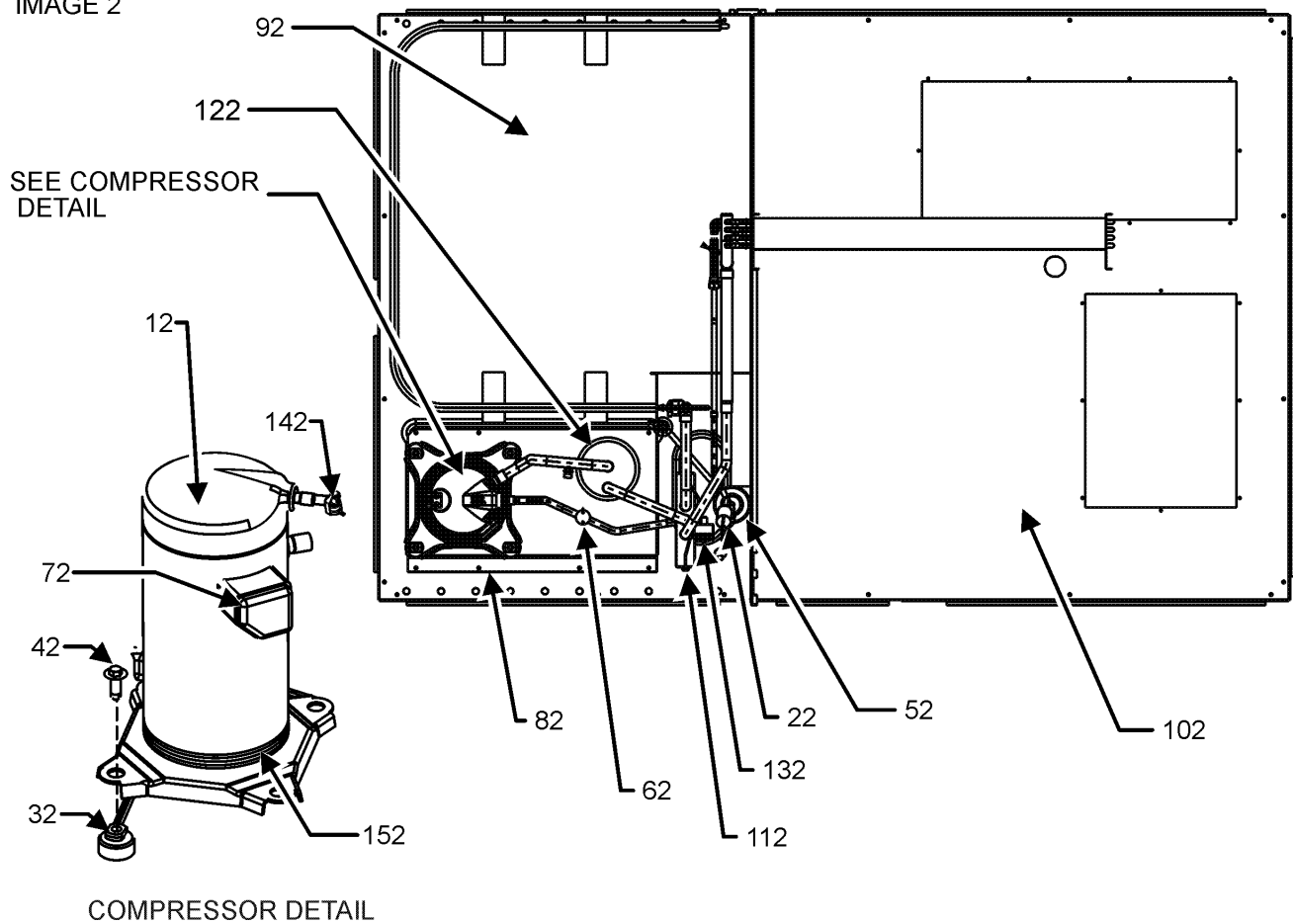


IMAGE 2



Top Panel and Tubing Assembly

Ref. Part No: No:	Description:	Ref. Part No: No:	Description:
-------------------	--------------	-------------------	--------------

Image 1:

11	0121L00235NG	TOP PANEL
21	0131M00840	MOTOR, 1/3 HP, OD (M1, M2, M3, M4, M5, M6, M9)
21	0131M00841	MOTOR, 1/3 HP, OD (M7)
21	0131L00064	MOTOR, COND, 1/3 HP, 208/230V (M10)
21	0131L00065	MOTOR, COND, 1/3 HP, 460V (M8)
31	0163M00006P	ACORN NUT 5/16 HEX BLACK (QTY 4)
41	0152G00000	FAN GRILLE, RAISED
51	0161R00003P	CONDUIT
61	B1086765	FAN BLADE TYPE 3
71	0161L00000	VENTURI RING 22"
NS	0163M00004	SCREW #10X3/4", BLACK (QTY 18)
NS	0163M00005P	WASHER, BLACK (.50 OD .218ID) (QTY 4)

Image 2:

12	ZP51K5ETF5130	COMPRESSOR 51000, 208/230/60/3 (M1, M2, M3, M4, M5, M6, M9, M10)
12	ZP51K5ETFD130	COMPRESSOR 51000, 460/60/3 (M7, M8)
22	0130M00075	CUT-OUT SWITCH, LOW PRESSURE
32	B1339533	COMPRESSOR GROMMET (QTY 4)
42	M0221641	TF SHOULDER SCREW (QTY 4)
52	20485201	BI-FLOW FILTER DRIER
62	0130M00074	CUT-OUT SWITCH, HIGH PRESSURE
72	0159L00065	COMPRESSOR SCROLL HARNESS
82	0121L01308	MOUNTING PLATE-COMPRESSOR
92	0121L01990	BASE PAN, OUTDOOR
102	0121L02619	BASE PAN, INDOOR
112	0151R00071	REVERSING VALVE
122	B1226207	ACCUMULATOR
132	B1225022	SOLENOID
142	0130M00106	DISC THERMOSTAT CRNKCS HTR SW (M1, M2, M3, M4, M5, M6, M9, M10)
152	0130L00017	CRANK CASE HEATER-70W 240V (M1, M2, M3, M4, M5, M6, M9, M10)
152	0130L00018	CRANK CASE HEATER-70W, 480V (M7, M8)
NS	B1373315	ACCESS FITTING (QTY 2)
NS	0141L00003X	FORK BOARD (QTY 2)
NS	0121L00055	FORK BOARD BRACKET (QTY 4)

Expanded Model Nomenclature

M1 - DSH060XXX3HVDXAA
M2 - DSH060XXX3HXDXAA
M3 - DSH060XXX3HXXAAA
M4 - DSH060XXX3HXXXAA
M5 - DSH0600103HRXAAA
M6 - DSH0600103HWBAAA
M7 - DSH0600104HWXXAA
M8 - DSH0600154HJXFAA
M9 - DSH0600203HRMFAA
M10 - DSH0600203HWXCAA

Cabinet Assembly

IMAGE 1

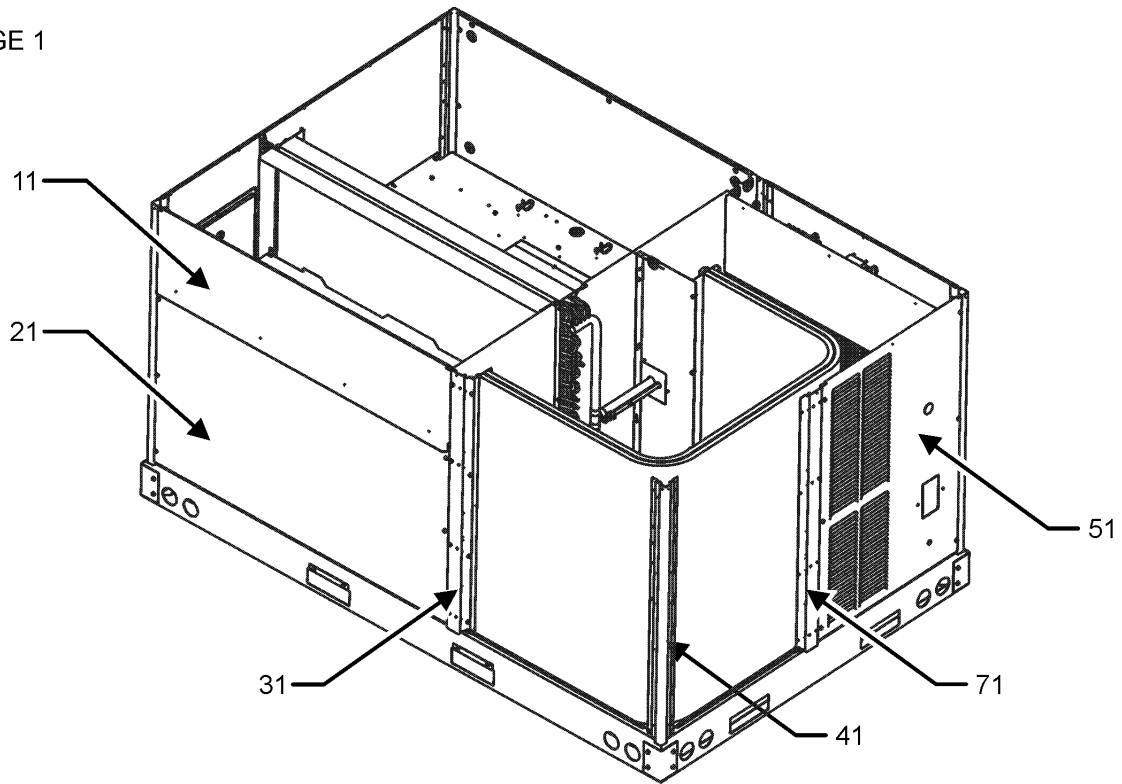
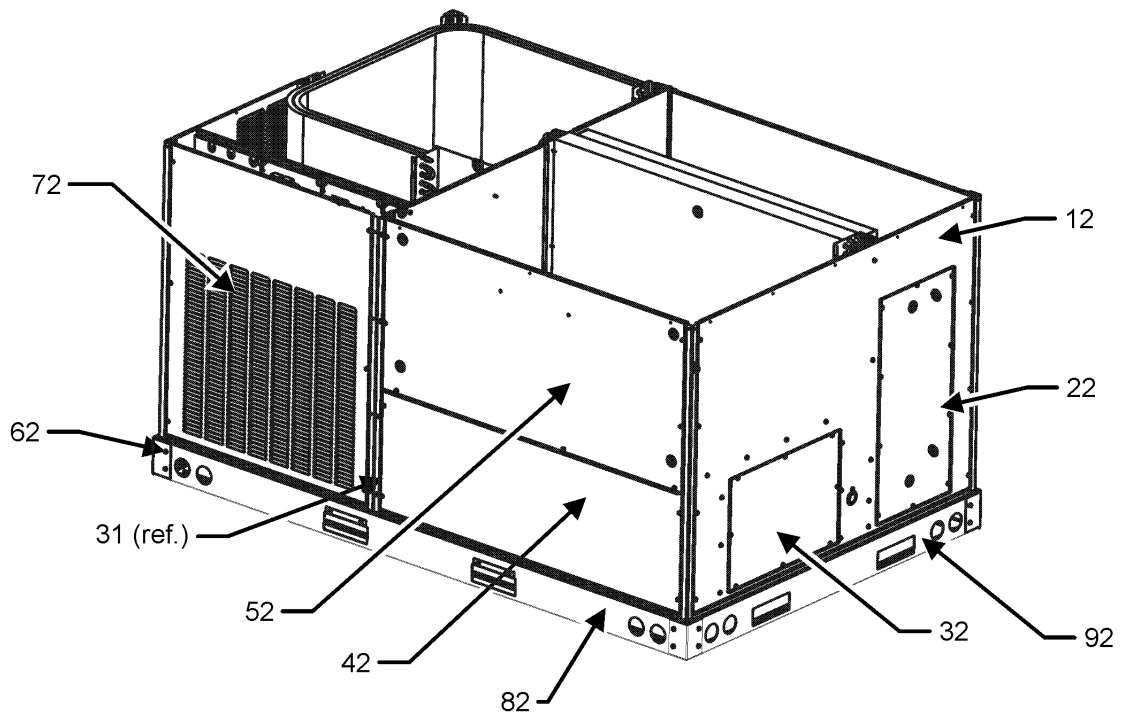


IMAGE 2



Cabinet Assembly

Ref. Part No:	Part No:	Description:	Ref. Part No:	Part No:	Description:
---------------	----------	--------------	---------------	----------	--------------

Image 1:

11	0270L00363NG	FILTER DOOR			
21	0121L00976NG	ECONOMIZER DOOR (M1, M2, M3, M4, M6, M7, M8, M10)			
31	0121L00343RFNG	POST-SIDE SUPPORT (QTY 2)			
41	0121L00344RFNG	CORNER POST (QTY 2)			
41	0121L02554RFNG	PNT, CORNER POST (M1, M2, M9)			
51	0121L00354NG	PANEL-COMPRESSOR W/LOUVERS, PT (M1, M2, M3, M4, M7, M8, M9)			
51	0121L00840NG	PNT, COMP LOUVER DISC PNL (M5, M6, M10)			
71	0121L01169RFNG	POST-SIDE SUPPORT (M3, M4, M5, M6, M7, M8, M10)			
71	0121L01382RFNG	SIDE POST (M1, M2, M9)			
NS	0121L01309	ECONOMIZER COVER (M5, M9)			
NS	0121L02655	END RAIL			
NS	0164L00009	GASKET-RUBBER, CPOST (QTY 3)			
NS	0164L00011	GASKET-RUBBER, SIDE POST (QTY 2)			

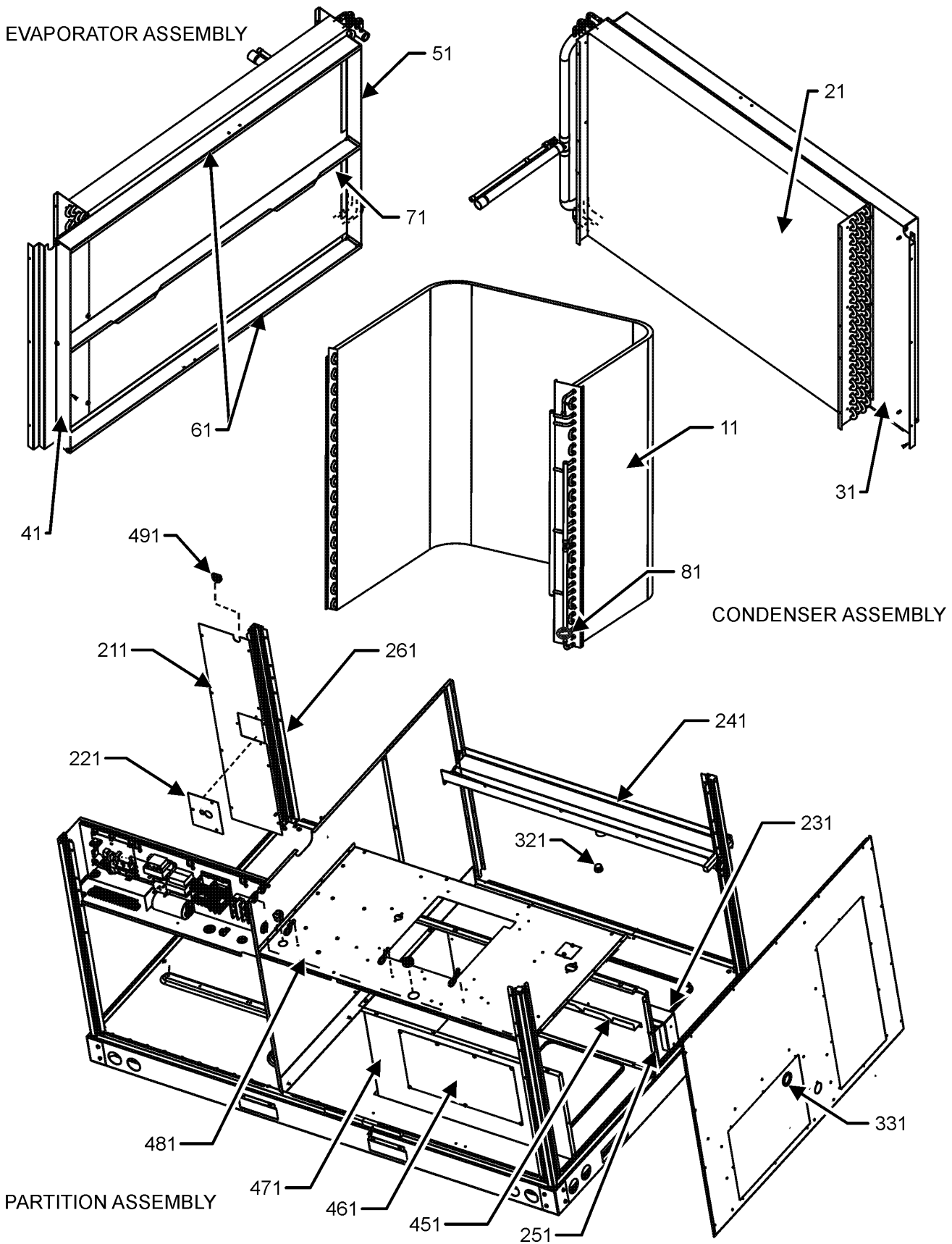
Image 2:

12	0121L00342NG	DUCT PANEL			
22	0121L00023NG	RETURN DUCT COVER			
32	0121L00024NG	SUPPLY DUCT COVER			
42	0121L01176NG	ELECTRIC HEAT DOOR			
52	0121L01172NG	BLOWER DOOR			
62	0121G00301	RAIL CORNER BRACKET (QTY 4)			
72	0121L01170NG	LOUVERED CONTROL PANEL (M3, M4, M5, M6, M7, M8, M10)			
72	0121L02552NG	PNT, CONTROL DOOR (M1, M2, M9)			
82	0121L00244RF	SIDE RAIL (QTY 2)			
92	0121L00245	END RAIL			
NS	0164L00009	GASKET-RUBBER, CPOST (QTY 3)			
NS	0164L00011	GASKET-RUBBER, SIDE POST (QTY 2)			

Expanded Model Nomenclature

- | |
|------------------------|
| M1 - DSH060XXX3HVDXAA |
| M2 - DSH060XXX3HXDXAA |
| M3 - DSH060XXX3HXXAAA |
| M4 - DSH060XXX3HXXXAA |
| M5 - DSH0600103HRXAAA |
| M6 - DSH0600103HWBAAA |
| M7 - DSH0600104HWXXAA |
| M8 - DSH0600154HJXFAA |
| M9 - DSH0600203HRMFAA |
| M10 - DSH0600203HWXCAA |

Partition, Condenser and Evaporator Assy



Partition, Condenser and Evaporator Assy

Ref. Part No: No:	Description:	Ref. Part No: No:	Description:
-------------------	--------------	-------------------	--------------

Image 1:

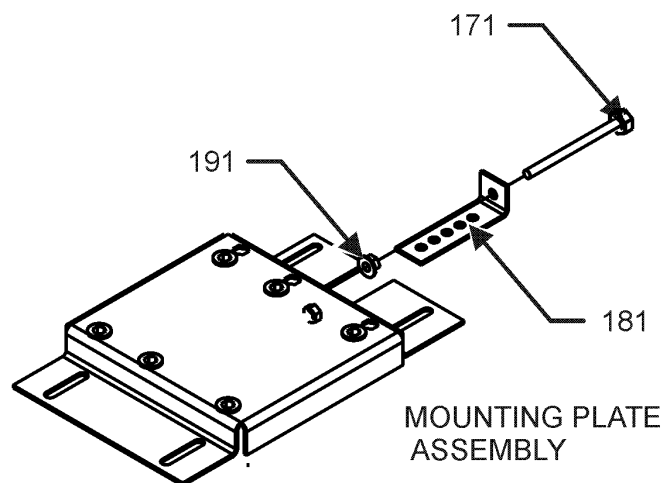
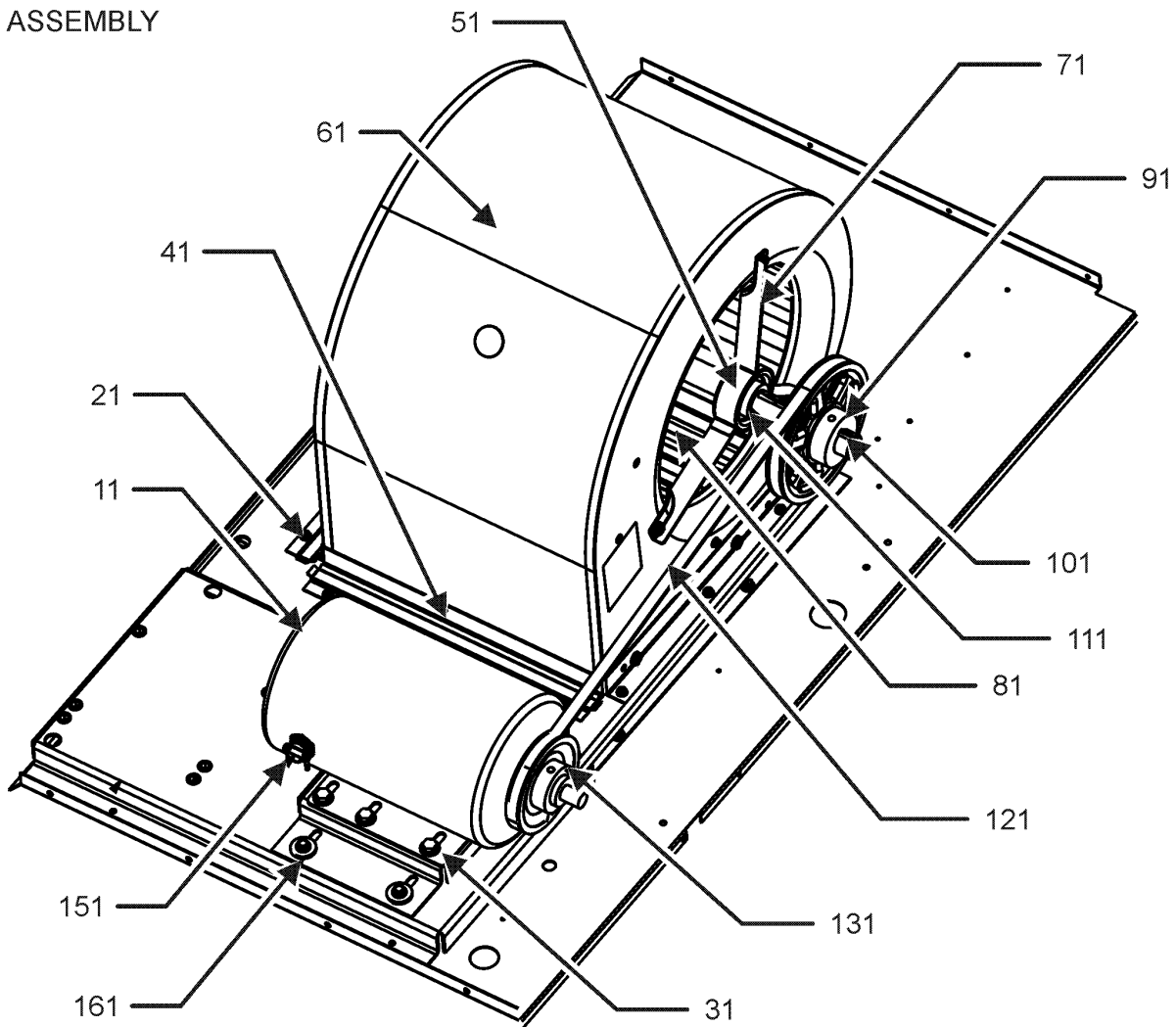
11	0201L00289	COND COIL TUBING ASSY
21	0202L00156	EVAP COIL TUBING ASSY
31	0121L00345	BLOCKOFF-EVAPORATOR
41	0121L00358	FILTER ANGLE-VERTICAL (HAIRPIN SIDE)
51	0121L00357	FILTER ANGLE-VERTICAL (RETURN SIDE)
61	0121L00932	FILTER ANGLE-HORIZONTAL (QTY 2)
71	0121L01255	ANGLE-FILTER CENTER
81	0130M00101	CONTROL,DEFROST
211	0121L00348	COND BLOCK-OFF
221	0121L00939	CONDENSER BLOCKOFF PLATE
231	0121L00238	DRAIN PAN SUPPORT
241	0161L00005	DRAIN PAN
251	0121L02123	DECK SIDE CHANNEL
261	0121L00349	COND MOUNTING ANGLE
321	0163L00071	DRAIN PLUG
331	0154L00009	DRAIN PAN GASKET
451	0121L00288	ELECTRIC HEAT RETAINER
461	0121L00144	ELECTRIC HEAT COVER
471	0121L00256	ELECTRIC HEAT PANEL
481	0121L03396	DECK-BLOWER
491	A4568804	GROMMET-D (QTY 4)
NS	0160L00174	AIR FILTER 16 X 20 X 2 (QTY 4)
NS	0121L01377	BLOWER DECK SUPPORT (M1, M2, M9)
NS	0121L00321	SMOKE DETECTOR COVER

Expanded Model Nomenclature

M1 - DSH060XXX3HVDXAA
M2 - DSH060XXX3HXDXAA
M3 - DSH060XXX3HXXAAA
M4 - DSH060XXX3HXXAA
M5 - DSH0600103HRXAAA
M6 - DSH0600103HWBAAA
M7 - DSH0600104HWXXAA
M8 - DSH0600154HJXFAA
M9 - DSH0600203HRMFAA
M10 - DSH0600203HWXCAA

Blower Assembly

BLOWER HOUSING AND MOTOR ASSEMBLY



MOUNTING PLATE ASSEMBLY

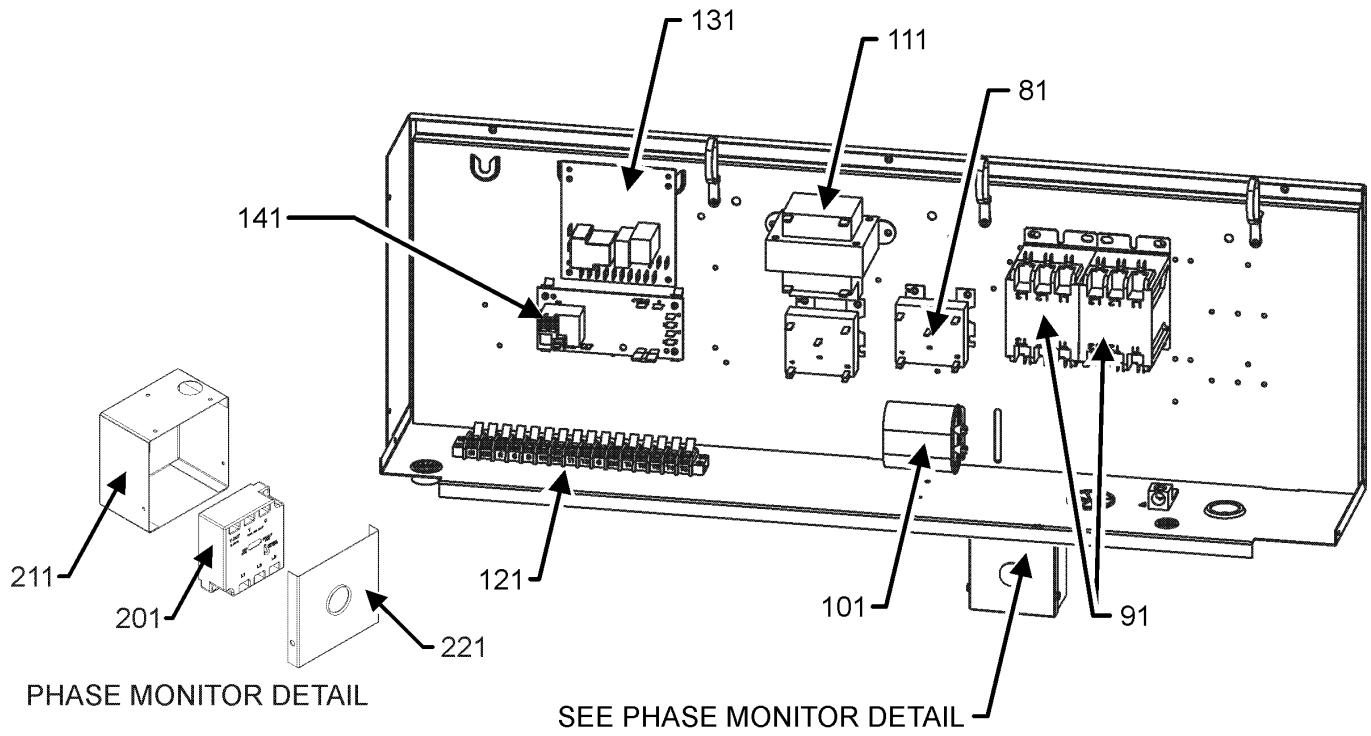
Blower Assembly

Ref. Part No:	No:	Description:	Ref. Part No:	No:	Description:
Image 1:					
11	0131L00092	MOTOR, 208-230 & 460V/60HZ 3PH			
21	0121L00297	BLOWER SIDE ANGLE (QTY 3)			
31	0121L01619	MOTOR BASE			
41	0121L00281	BLOWER MOUNTING ANGLE			
51	0163L00005	BELT DRIVE BLOWER SHAFT			
61	2539302F	BLOWER HOUSING 11 X 10			
71	B3201300	MOUNTING BRACKET BEARING (QTY 2)			
81	B1368056	BELT DRIVE BLOWER WHEEL			
91	0163L00138	SHEAVE, FIXED AK61H			
101	0163M00407	MACHINE KEY, SPECIAL			
111	0163L00247	BEARING, BALL, MOUNTED (QTY 2)			
121	0164L00002	FAN BELT, NOTCHED			
131	B2120013	VARIABLE PITCH SHEAVE 1VM50			
151	B1393726	ELECT. CONNECTING BUSHING			
161	B1393738	BOLT 1/4-20 X 3/4" (QTY 8)			
171	0163M00045	BOLT 1/4-20 X 4"			
181	3225000F	BELT TIGHTENER ANGLE			
191	B1393023	NUT / LOCK .25-20			
NS	1864703	BLOWER CUT-OFF ASM,5TON,MORRIS			
NS	B1398603	STEEL KEY (000158812) 4.5"			

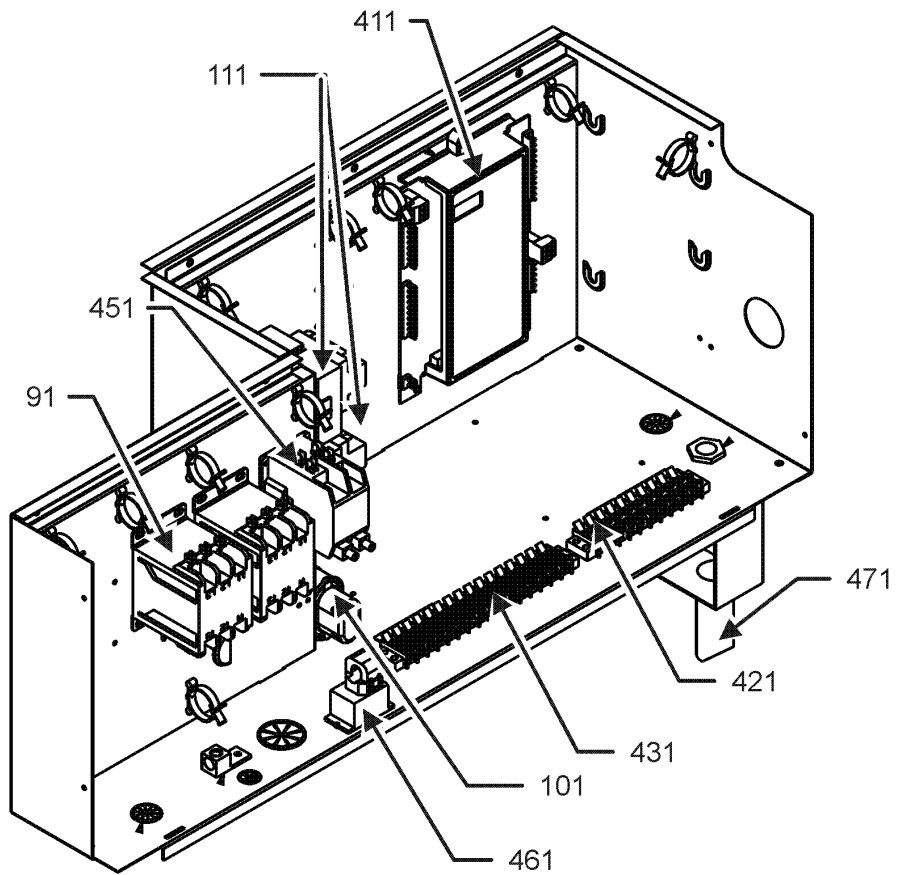
Expanded Model Nomenclature

M1 - DSH060XXX3HVDXAA
M2 - DSH060XXX3HXDXAA
M3 - DSH060XXX3HXXAAA
M4 - DSH060XXX3HXXXAA
M5 - DSH0600103HRXAAA
M6 - DSH0600103HWBAAA
M7 - DSH0600104HWXXAA
M8 - DSH0600154HJXFAA
M9 - DSH0600203HRMFAA
M10 - DSH0600203HWXCAA

Control Panel Assembly



CONTROL BOX FOR MODELS WITH DDC CONTROL



Control Panel Assembly

Ref. Part No:	Part No:	Description:	Ref. Part No:	Part No:	Description:
---------------	----------	--------------	---------------	----------	--------------

Image 1:

81	0130M00025	RELAY, SPDT (M7, M8)			
91	CONT3P025024V	CONTACTOR 25 AMP, 3P, 24V (M7, M8)			
91	CONT3P030024V	CONTACTOR 30 AMP, 3P, 24V (M1, M2, M3, M4, M5, M6, M9, M10)			
101	CAP100000440LA	CAP 10 MFD/440V/OVAL (M1, M2, M3, M4, M6, M7, M8, M10)			
101	CAP100000370LA	CAPACITOR 10/370V (M5, M9)			
111	0130M00594	TRANSFORMER (M1, M2, M3, M4, M5, M6, M9, M10)			
111	0130M00595	TRANSFORMER, 75VA, 480V TO 24V (M7, M8)			
121	0130M00038	TERMINAL BOARD			
131	PCBDM133	PCB, DEFROST CONTROL			
141	PCBFM103	PCB, TIME DELAY, EBTDR			
201	0130L00105	PHASE MONITOR (M6)			
211	0121L01468	CONTROL, PH MON BOX (M6)			
221	0121L01467	CONTROL, PH MON LID (M6)			
411	PCBCG103	PCB, CONTROL, HP, GAS, AC (M5, M9)			
421	0130M00274	TERMINAL BOARD (M5, M9)			
431	0130M00275	TERMINAL BOARD (M5, M9)			
451	CONT2P040024V	CONTACTOR 40 AMP, 2P, 24V (M5, M9)			
461	0259L00368	CURRENT SWITCH WITH TERMS (M5, M9)			
471	0130L00108	OD Air Temp Sensor (M5, M9)			
NS	B821700	CAPACITOR BOOT (M5, M9)			
NS	20520901	CAPACITOR STRAP			
NS	0259L00078	DEFROST HARNESS (M7, M8)			
NS	0130L00112	Duct Temp Sensor (M5, M9)			
NS	0259L00178	HARNESS, ECONOMIZER			
NS	0259L00070	HARNESS, WIRING (M10)			
NS	0259L00077	HARNESS-DEFROST (M1, M2, M3, M4, M5, M6, M9, M10)			
NS	0130L00107	ROOM SENSOR (M5, M9)			
NS	0259L00427	WIRE ASSY (M6)			
NS	0259L00428	WIRE ASSY (M6)			
NS	0259L00122	WIRE HARNESS, CONTROL			
NS	0259L00054	WIRING HARNESS (M5, M9)			
NS	0259L00061	WIRING HARNESS			
NS	0259L00065	WIRING HARNESS			
NS	0259L00071	WIRING HARNESS (M8)			
NS	0259L00094	WIRING HARNESS (M5, M9)			

Expanded Model Nomenclature

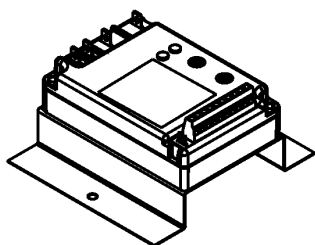
- | |
|------------------------|
| M1 - DSH060XXX3HVDXAA |
| M2 - DSH060XXX3HXDXAA |
| M3 - DSH060XXX3HXXAAA |
| M4 - DSH060XXX3HXXXAA |
| M5 - DSH0600103HRXAAA |
| M6 - DSH0600103HWBAAA |
| M7 - DSH0600104HWXXAA |
| M8 - DSH0600154HJXFAA |
| M9 - DSH0600203HRMFAA |
| M10 - DSH0600203HWXCAA |

Accessory Parts List

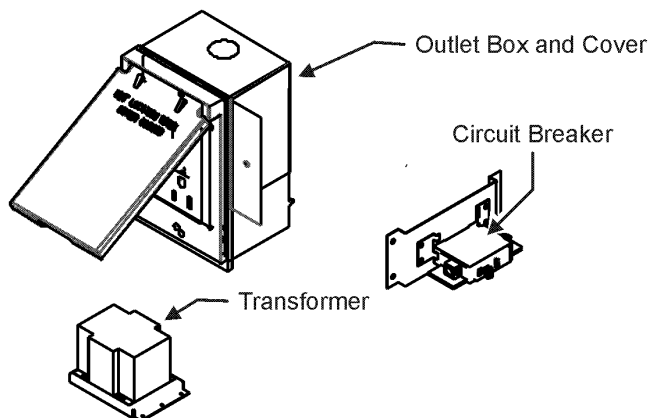
ACCESSORY PARTS LIST

NOTE: NOT ALL OPTIONS AVAILABLE FOR ALL PRODUCTS

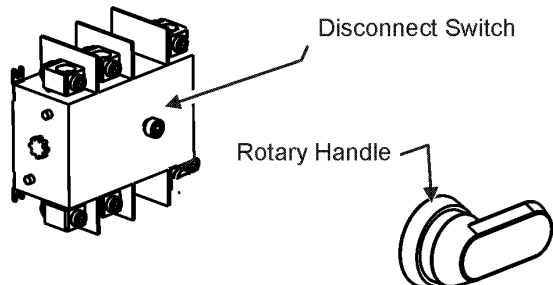
1 LOW AMBIENT KITS



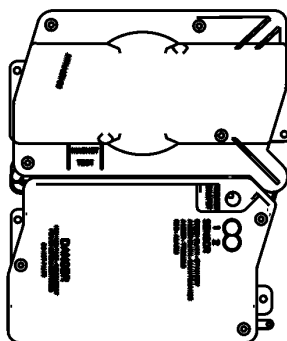
2 GFCI CONVENIENCE OUTLET



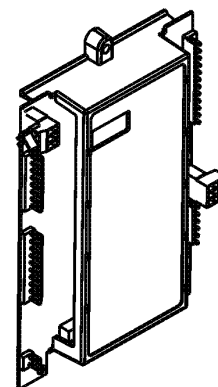
3 DISCONNECT MODULE (NON-FUSED)



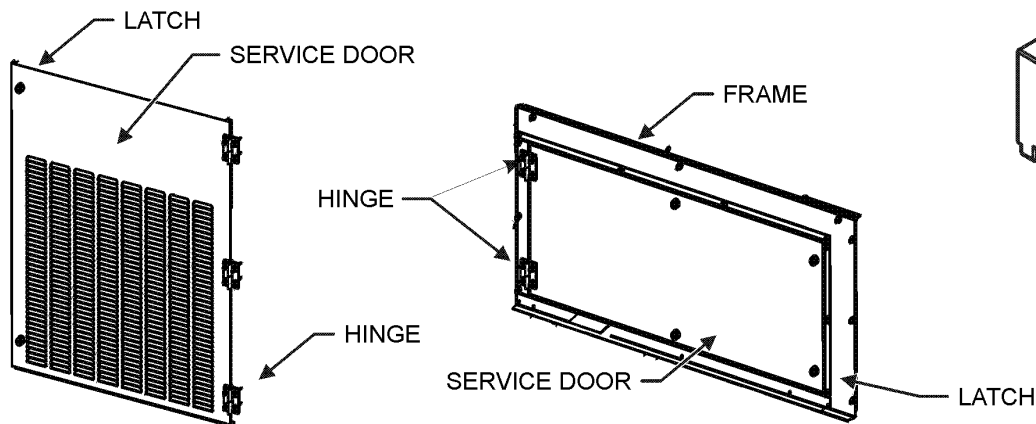
4 SMOKE DETECTORS



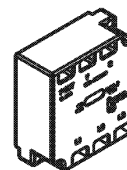
5 DDC CONTROL



6 HINGED DOOR ASSEMBLIES



7 PHASE MONITOR



Accessory Parts List

Ref. Part No:	Part No:	Description:	Ref. Part No:	Part No:	Description:
Image 1:					
NS	EHK3-10	10 KW 203-230/3 ELECTRIC EHAT (M5, M6)			
NS	EHK4-10	10 KW 460/3 ELECTRIC HEAT (M7)			
NS	EHK4-15	15 KW 460/3 (M8)			
NS	EHK3-20	20 KW 208-230/3 ELECTRIC HEAT (M9, M10)			
NS	1036609C	3-6 TON DFLOW ECONOMIZER (M8)			
NS	DDNECNJ3672C	3-6 TON DFLOW ECONOMIZER (M1, M6, M7, M10)			
NS	10366D09C	3-6 TON DFLOW ECONOMIZER, DDC (M5, M9)			
NS	0121L00316	BRACKET-CONV OUTLET MOUNT (M3, M5, M6, M8, M9)			
NS	0121L00835	BRACKET-DISCONNECT SWITCH (M5, M6, M7, M8, M9, M10)			
NS	0121L00837NG	DISCONNECT COVER (M5, M6, M7, M8, M9, M10)			
NS	0130L00012	GANG BOX-GFCI OUTLET (M3, M5, M6, M8, M9)			
NS	0130L00039	HANDLE, ROTARY (M5, M6, M7, M8, M9, M10)			
NS	0163M00307	HINGE, LEFT HAND (M1, M2, M9)			
NS	0163M00308	HINGE, RIGHT HAND (M1, M2, M9)			
NS	0163M00360	LATCH (M1, M2, M9)			
NS	0130M00058	LOW AMBIENT KIT (M8, M9, M10)			
NS	0121L02529NG	PNT, BLOWER DOOR BACK (M1, M2, M9)			
NS	0121L02510NG	PNT, BLOWER DOOR FRAME (M1, M2, M9)			
NS	0121L02528NG	PNT, BLOWR DOOR FRONT (M1, M2, M9)			
NS	0161G00012	POWER OUTLET BOX (M3, M5, M6, M8, M9)			
NS	0130L00103	RECEPTACLE-GFCI OUTLET (M3, M5, M6, M8, M9)			
NS	0130L00042	SHAFT, CUT (M7, M8, M9)			
NS	0130L00049	SHAFT, DISCONNECT (M5, M6, M7, M8, M9, M10)			
NS	0130L00027	SWITCH-DISCONNECT 100A (M5, M6, M10)			
NS	0130L00046	SWITCH-DISCONNECT 60A (M7, M8, M9)			

Expanded Model Nomenclature

- | |
|------------------------|
| M1 - DSH060XXX3HVDXAA |
| M2 - DSH060XXX3HXDXAA |
| M3 - DSH060XXX3HXXAAA |
| M4 - DSH060XXX3HXXXAA |
| M5 - DSH0600103HRXAAA |
| M6 - DSH0600103HWBAAA |
| M7 - DSH0600104HWXXAA |
| M8 - DSH0600154HJXFAA |
| M9 - DSH0600203HRMFAA |
| M10 - DSH0600203HWXCAA |