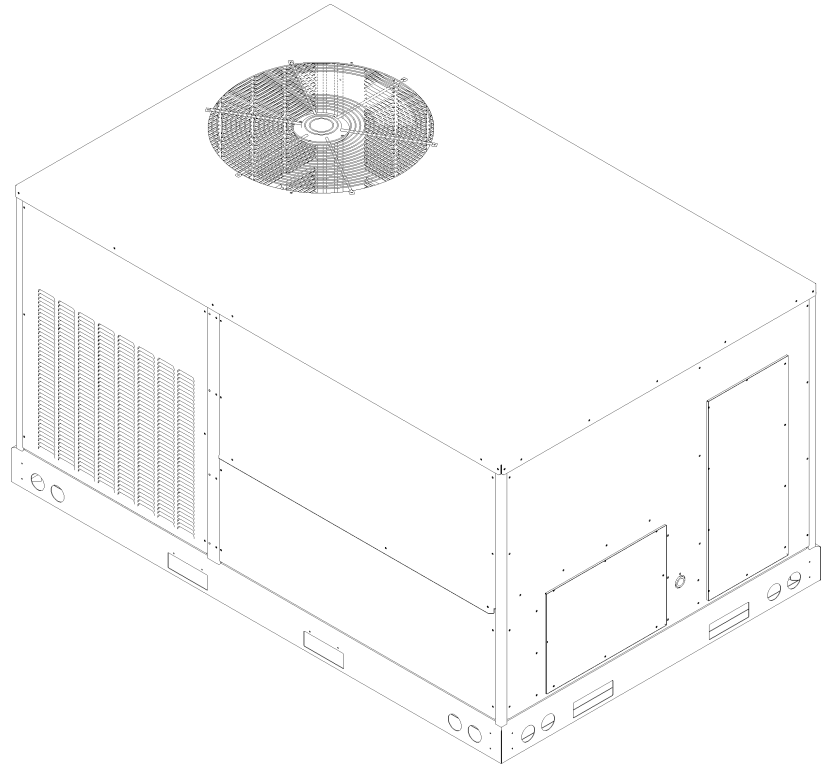


Commercial 5 Ton Direct Drive Package Heat Pump

DSH060XXX1DXXXAA

DSH060XXX3DWXXA

DSH060XXX3DXXXAA



This manual is to be used by qualified technicians only.

This manual replaces RP-D1127.

© 2016 - 2018 **DAIKIN COMPANY, L.P.** ♦ 5151 San Felipe St., Suite 500 ♦ Houston, TX 77056

Important Information

Index

Functional Parts List	3
Illustration and Parts	4 - 13

Views shown are for parts illustrations only, not servicing procedures.

Text Codes:

AR - As Required

NA - Not Available

NS - Not Shown

00000000 - See Note

QTY - Quantity Example (QTY 3) (If Quantity not shown, Quantity = 1)

M - Model Example (M1) (If M Code not shown, then part is used on all Models)

Expanded Model Nomenclature:

Example
M1 - Model#1
M2 - Model#2
M3 - Model#3

Daikin Company, L.P. is not responsible for personal injury or property damage resulting from improper service. Review all service information before beginning repairs.

Warranty service must be performed by an authorized technician, using authorized factory parts. If service is required after the warranty expires, Daikin Company, L.P. also recommends contacting an authorized technician and using authorized factory parts.

Daikin Company, L.P. reserves the right to discontinue, or change at any time, specifications or designs without notice or without incurring obligations.

For assistance within the U.S.A. contact:

Equipment Support
Daikin North America, LLC
19001 Kermier Road
Waller, Texas 77484
855-770-5678-Telephone
713-863-2382-Facsimile

For assistance outside the U.S.A. contact:

International Division
Daikin North America, LLC
19001 Kermier Road
Waller, Texas 77484
713-861-2500-Telephone
713-863-2382-Facsimile

Functional Parts

Part

No: Description:

B1368000	BLOWER WHEEL 11 X 10
CAP100700440CT	CAP, 10/70 MFD/ 440V/ DUAL RD (M1)
CAP100000370LA	CAPACITOR 10/370V (M2, M3)
ZP49K6ETF5130	COMP, 50,000, 200/230/60/3 (M2, M3)
ZP49K5EPFV130	COMP,49400,208/230/60/1 (M1)
0131M00430	COND MOTOR 1/3 HP, 1 SP, 6 PL (M1)
CONT3P030024V	CONTACTOR 30 AMP, 3P, 24V (M2, M3)
CONT2P040024V	CONTACTOR 40 AMP, 2P, 24V (M1)
0130M00101	CONTROL, DEFROST
0130L00017	CRANK CASE HEATER-70W 240V (M2, M3)
0130M00074	CUT-OUT SWITCH, HIGH PRESSURE
0130M00075	CUT-OUT SWITCH, LOW PRESSURE
PCBDM133	DEFROST CONTROL BOARD
0130M00106	DISC THERMOSTAT CRNKCS HTR SW (M2, M3)
B1086765	FAN BLADE TYPE 3
0131M00840	MOTOR, 1/3 HP, OD (M2, M3)
0131M00815	MOTOR-1HP PROGRAMMED SELECTECH
0151R00071	REVERSING VALVE
B1225022	SOLENOID COIL
0130M00038	TERMINAL BOARD
0130M00138	TRANSFORMER 208/230, 24V

Expanded Model Nomenclature

M1 - DSH060XXX1DXXXAA

M2 - DSH060XXX3DWXXAA

M3 - DSH060XXX3DXXXAA

Top Panel and Tubing Assembly

IMAGE 1

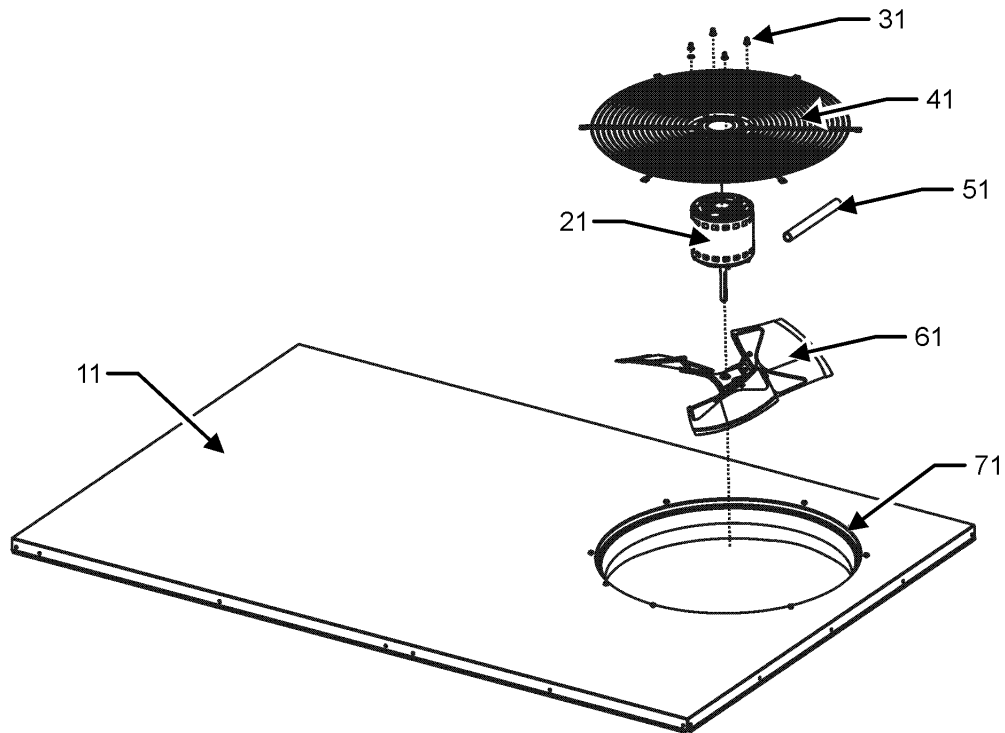
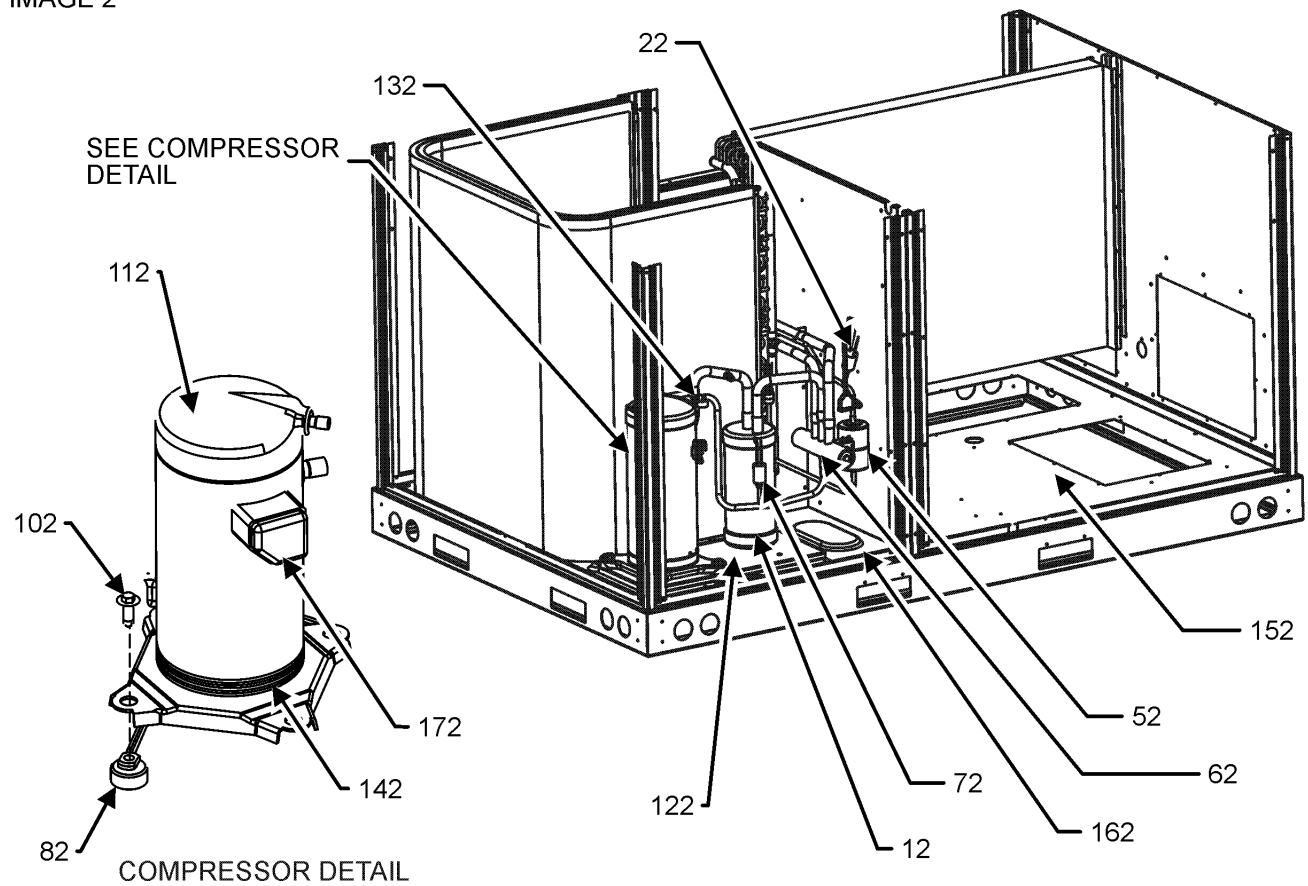


IMAGE 2



Top Panel and Tubing Assembly

Ref. Part No: No:	Description:	Ref. Part No: No:	Description:
-------------------	--------------	-------------------	--------------

Image 1:

11	0121L00235NG	TOP PANEL
21	0131M00430	COND MOTOR 1/3 HP, 1 SP, 6 PL (M1)
21	0131M00840	MOTOR, 1/3 HP, OD (M2, M3)
31	0163M00006P	ACORN NUT 5/16 HEX BLACK (QTY 4)
41	0152G00003	FAN GRILLE (M1)
41	0152G00000	FAN GRILLE, RAISED (M2, M3)
51	17788000083F	PVC CONDUIT 8.25"
61	B1086765	FAN BLADE TYPE 3
71	0161L00000	VENTURI RING 22"
NS	0163M00004	SCREW #10X3/4", BLACK (QTY 8)
NS	0163M00005P	WASHER, BLACK (.50 OD .218ID) (QTY 4)

Image 2:

12	B1226207	ACCUMULATOR .875
22	0130M00075	CUT-OUT SWITCH, LOW PRESSURE
52	20485201	BI-FLOW FILTER DRIER
62	0151R00071	REVERSING VALVE
72	0130M00074	CUT-OUT SWITCH, HIGH PRESSURE
82	B1339533	COMPRESSOR GROMMET (QTY 4)
102	M0221641	TF SHOULDER SCREW (QTY 4)
112	ZP49K6ETF5130	COMP, 50,000, 200/230/60/3 (M2, M3)
112	ZP49K5EPFV130	COMP, 49400, 208/230/60/1 (M1)
122	0121L01308	MOUNTING PLATE-COMPRESSOR
132	0130M00106	DISC THERMOSTAT CRNKCS HTR SW (M2, M3)
142	0130L00017	CRANK CASE HEATER-70W 240V (M2, M3)
152	0121L02619	BASE PAN, INDOOR
162	0121L01990	BASE PAN-OUTDOOR
172	0159L00027	COMPRESSOR SCROLL HARNESS (M1)
172	0159L00065	COMPRESSOR SCROLL HARNESS (M2, M3)
NS	B1373315	ACCESS FITTING (QTY 2)
NS	0163M00175	CAP WITH O-RING (QTY 2)
NS	B1225022	SOLENOID COIL

Expanded Model Nomenclature

M1 - DSH060XXX1DXXXAA
M2 - DSH060XXX3DWXXXAA
M3 - DSH060XXX3DXXXAA

Cabinet Assembly

IMAGE 1

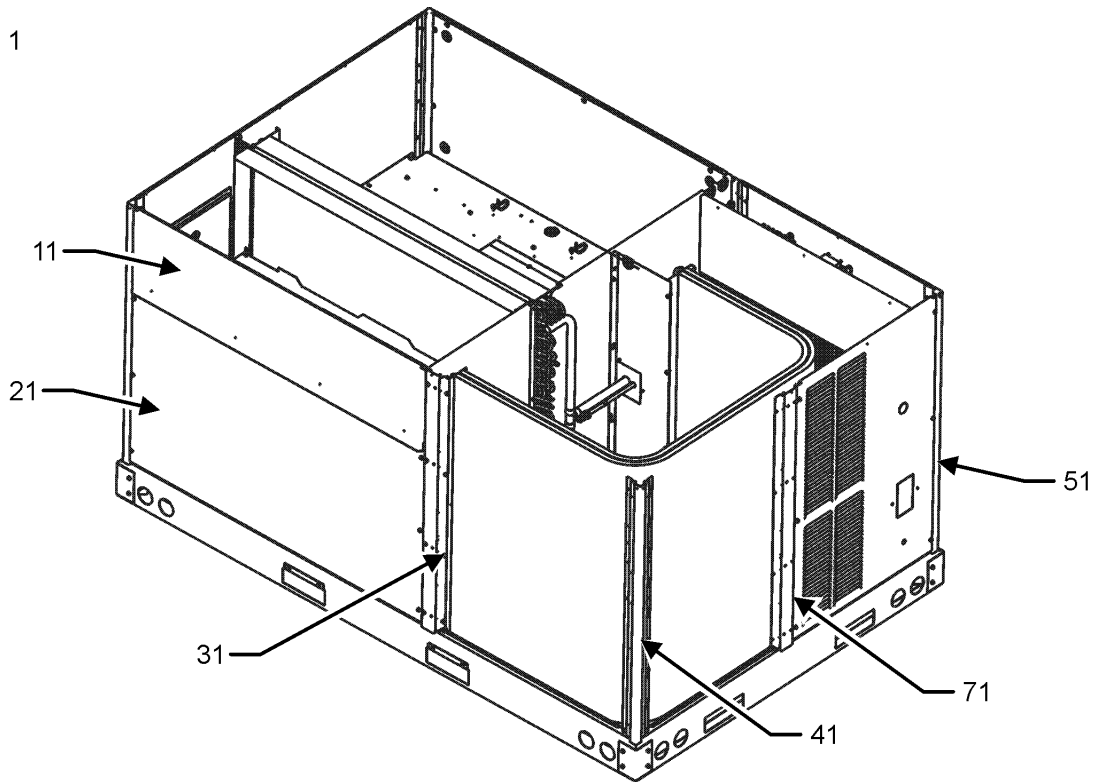
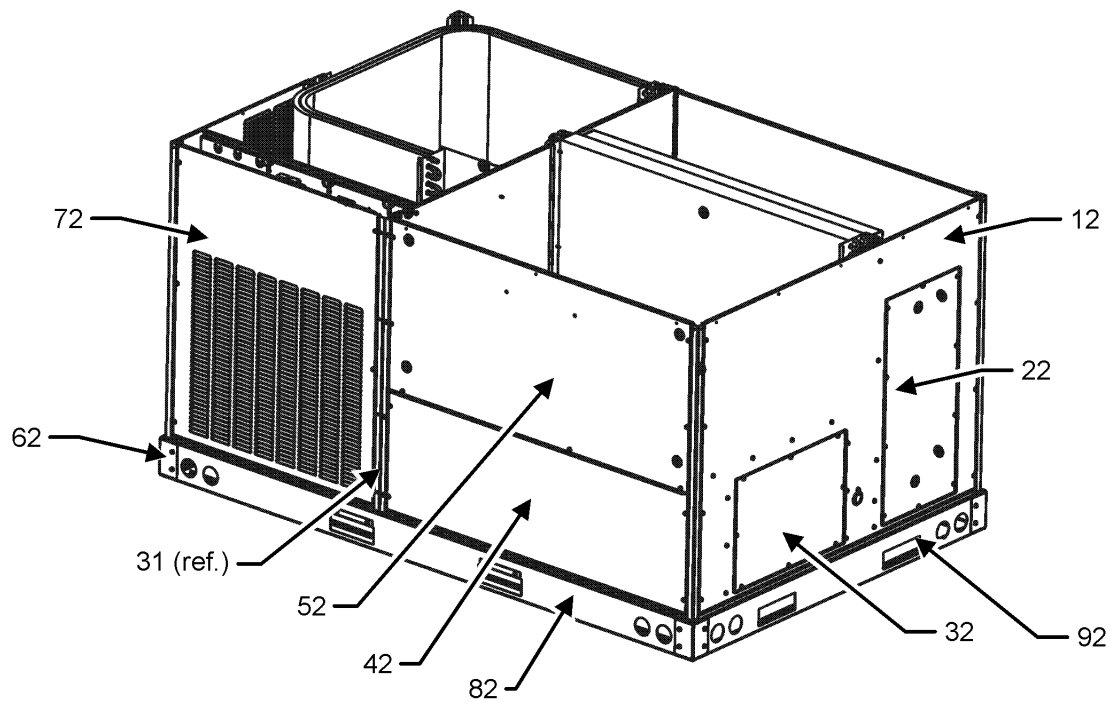


IMAGE 2



Cabinet Assembly

Ref. Part No: No:	Description:	Ref. Part No: No:	Description:
-------------------	--------------	-------------------	--------------

Image 1:

11	0270L00363NG	FILTER DOOR
21	0121L00976NG	ECONOMIZER DOOR
31	0121L00343RFNG	POST-SIDE RF PAINTED (QTY 2)
41	0121L00344RFNG	CORNER POST (QTY 4)
51	0121L00354NG	LOUVERED COMPRESSOR PANEL (M1, M3)
51	0121L00840NG	LOUVERED COMPRESSOR PANEL (M2)
71	0121L01169RFNG	POST-SIDE RF, PAINTED
NS	0164L00009	GASKET-RUBBER, CPOST (QTY 3)
NS	0164L00011	GASKET-RUBBER, SIDE POST (QTY 2)

Image 2:

12	0121L00342NG	DUCT PANEL
22	0121L00023NG	RETURN DUCT COVER
32	0121L00024NG	SUPPLY DUCT COVER
42	0121L01176NG	ELECTRIC HEAT DOOR
52	0121L01172NG	BLOWER DOOR
62	0121G00301	RAIL CORNER BRACKET (QTY 4)
72	0121L01170NG	LOUVERED CONTROL PANEL
82	0121L00244RF	SIDE RAIL (QTY 2)
92	0121L00245	END RAIL (QTY 2)
NS	0141L00003X	FORK BOARD (QTY 2)
NS	0121L00055	FORK BOARD BRACKET (QTY 4)

Expanded Model Nomenclature

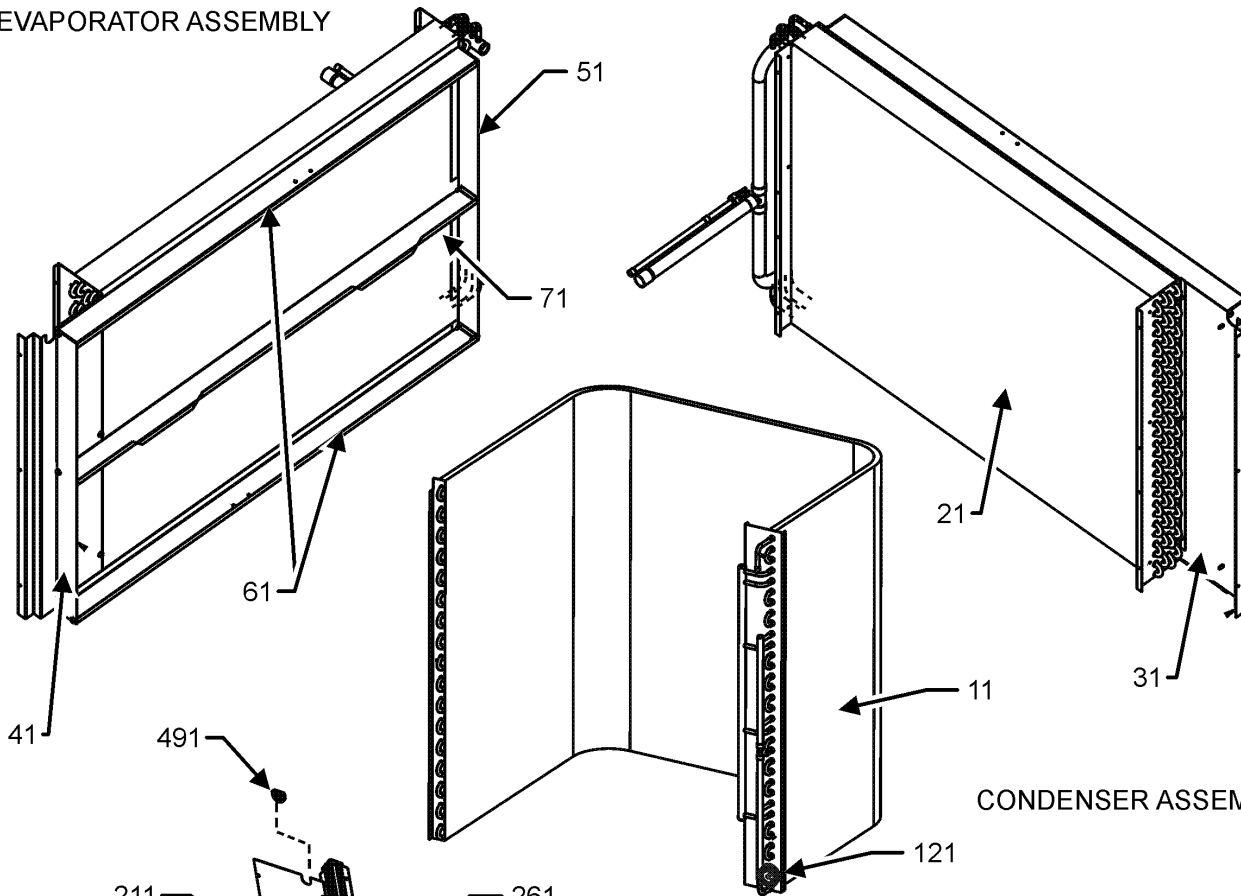
M1 - DSH060XXX1DXXXAA

M2 - DSH060XXX3DWXXAA

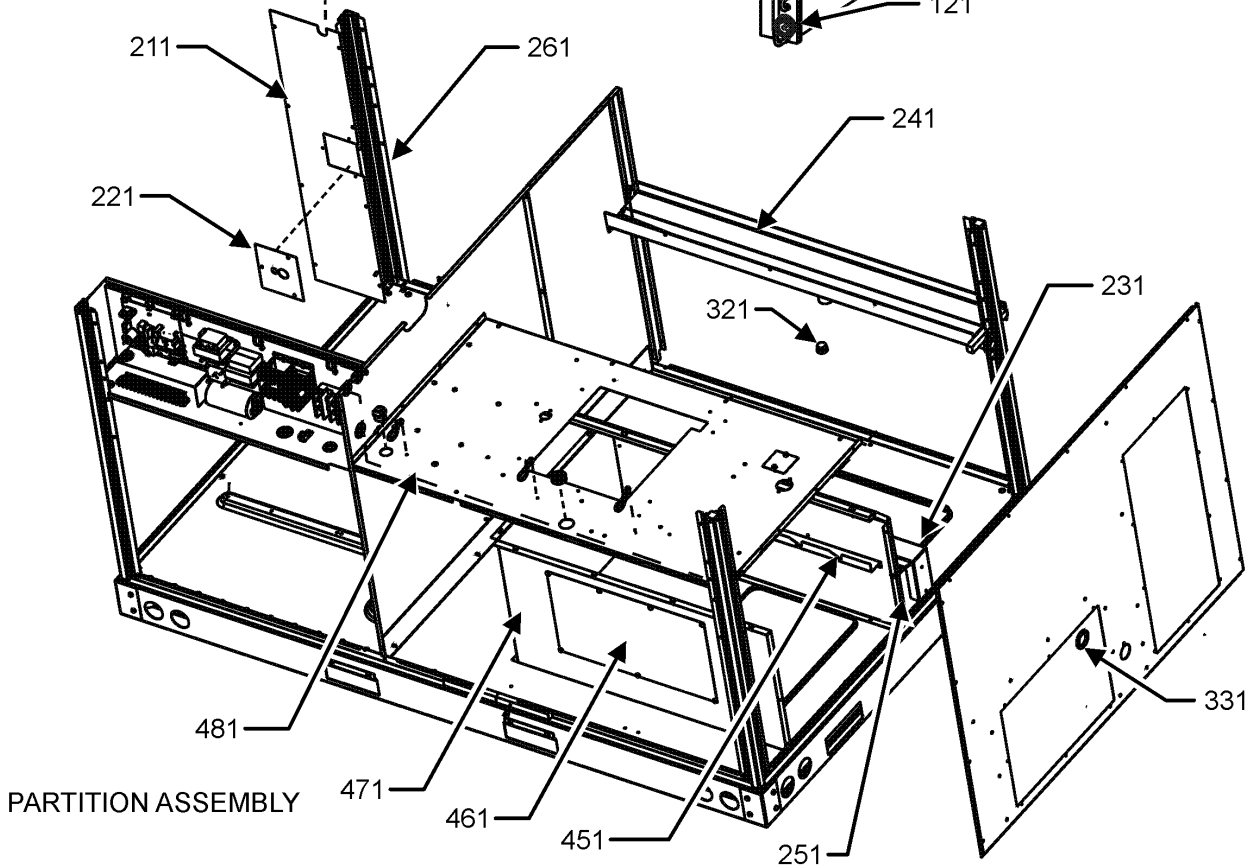
M3 - DSH060XXX3DXXXAA

Condenser, Evaporator and Partition Assy

EVAPORATOR ASSEMBLY



CONDENSER ASSEMBLY



PARTITION ASSEMBLY

Condenser, Evaporator and Partition Assy

Ref. Part No:	No:	Description:	Ref. Part No:	No:	Description:
<i>Image 1:</i>					
11	0201L00284	CONDENSER COIL TUBING ASSY.			
21	0202L00145	EVAPORATOR COIL TUBING ASSY			
31	0121L00345	BLOCKOFF-EVAPORATOR			
41	0121L00358	FILTER ANGLE-VERTICAL (HAIRPIN SIDE)			
51	0121L00357	FILTER ANGLE-VERTICAL (RETURN SIDE)			
61	0121L00932	FILTER ANGLE-HORIZONTAL (QTY 2)			
71	0121L01255	ANGLE-FILTER CENTER			
121	0130M00101	CONTROL, DEFROST			
211	0121L00348	COND BLOCK-OFF			
221	0121L00939	CONDENSER BLOCKOFF PLATE			
231	0121L00238	DRAIN PAN SUPPORT			
241	0161L00005	DRAIN PAN			
251	0121L02123	CHANNEL-DECK SIDE			
261	0121L00349	COND MOUNTING ANGLE			
321	0163L00071	DRAIN PLUG			
331	0154L00009	DRAIN PAN GASKET			
451	0121L00288	ELECTRIC HEAT RETAINER			
461	0121L00144	ELECTRIC HEAT COVER			
471	0121L00256	ELECTRIC HEAT PANEL			
481	0121L01575	BLOWER DECK			
491	A4568804	GROMMET-D (QTY 4)			
NS	0160L00174	AIR FILTER 16 X 20 X 2 (QTY 4)			
NS	0121L00321	SMOKE DETECTOR COVER			

Expanded Model Nomenclature

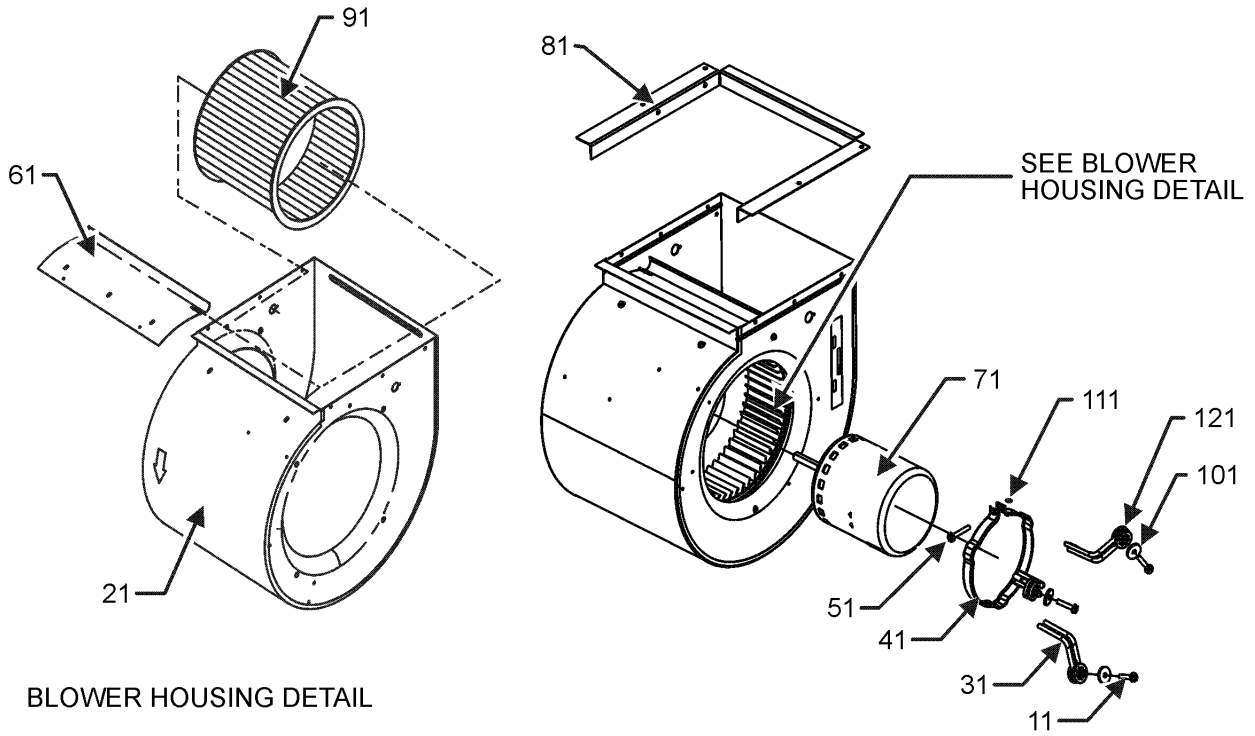
M1 - DSH060XXX1DXXXAA

M2 - DSH060XXX3DWXXAA

M3 - DSH060XXX3DXXXAA

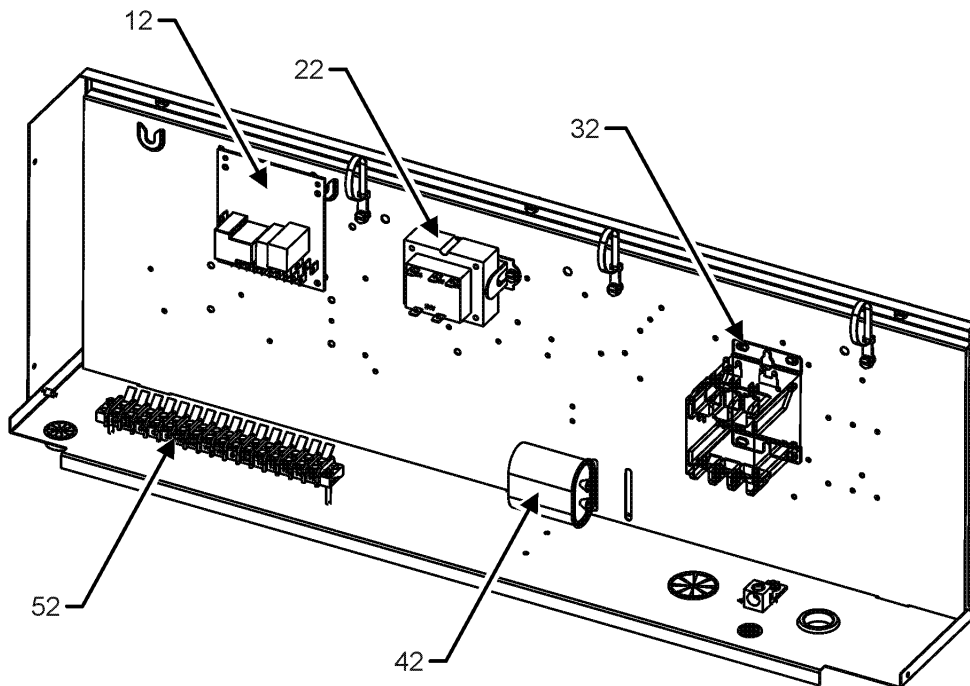
Blower and Control Board Assembly

IMAGE 1



BLOWER HOUSING DETAIL

IMAGE 2



Blower and Control Board Assembly

Ref. Part No: No:	Description:	Ref. Part No: No:	Description:
-------------------	--------------	-------------------	--------------

Image 1:

11	M0221461	TC SCREW (QTY 4)
21	11185811	BLOWER HOUSING 11 X 10
31	10441501	MOTOR MOUNT ARM (QTY 4)
41	10441601	MOTOR MOUNT BAND
51	M0267144	MACHINE SCREW
61	C6121807	BLOWER CUT-OFF
71	0131M00815	MOTOR-1HP PROGRAMMED SELECTECH
81	0121L00281	BLOWER MOUNTING ANGLE
91	B1368000	BLOWER WHEEL 11 X 10
101	0163M00005P	WASHER, BLACK (.50 OD .218ID) (QTY 4)
111	M0282015	KEPS NUT
121	A4002702	BLOWER MOTOR GROMMET (QTY 4)

Image 2:

12	PCBDM133	DEFROST CONTROL BOARD
22	0130M00138	TRANSFORMER 208/230, 24V
32	CONT3P030024V	CONTACTOR 30 AMP, 3P, 24V (M2, M3)
32	CONT2P040024V	CONTACTOR 40 AMP, 2P, 24V (M1)
42	CAP100700440CT	CAP, 10/70 MFD/ 440V/ DUAL RD (M1)
42	CAP100000370LA	CAPACITOR 10/370V (M2, M3)
52	0130M00038	TERMINAL BOARD
NS	0259L00178	HARNESS, ECONOMIZER
NS	0130M00127	MOTOR POWER HARNESS
NS	0259L00121	WIRE HARNESS
NS	0259L00058	WIRING HARNESS
NS	0259L00070	WIRING HARNESS
NS	0259L00073	WIRING HARNESS

Expanded Model Nomenclature

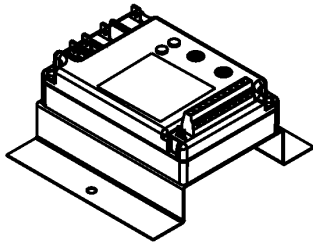
M1 - DSH060XXX1DXXXAA
M2 - DSH060XXX3DWXXAA
M3 - DSH060XXX3DXXXAA

Accessory Parts List

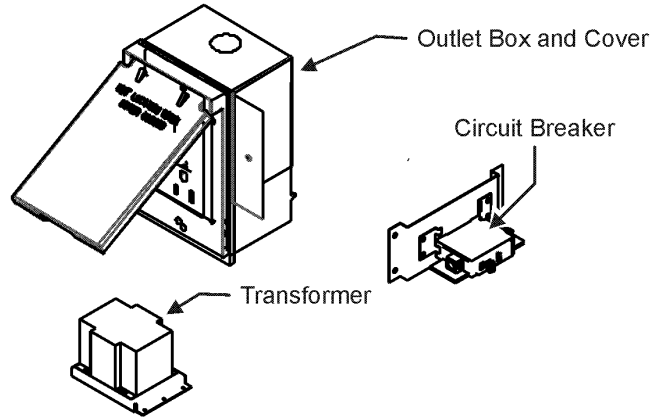
ACCESSORY PARTS LIST

NOTE: NOT ALL OPTIONS AVAILABLE FOR ALL PRODUCTS

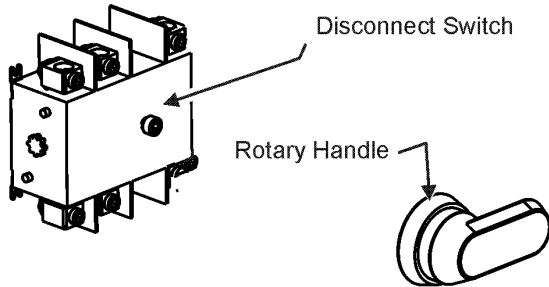
1 LOW AMBIENT KITS



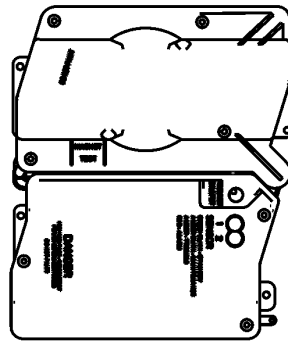
2 GFCI CONVENIENCE OUTLET



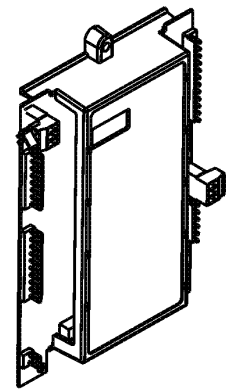
3 DISCONNECT MODULE (NON-FUSED)



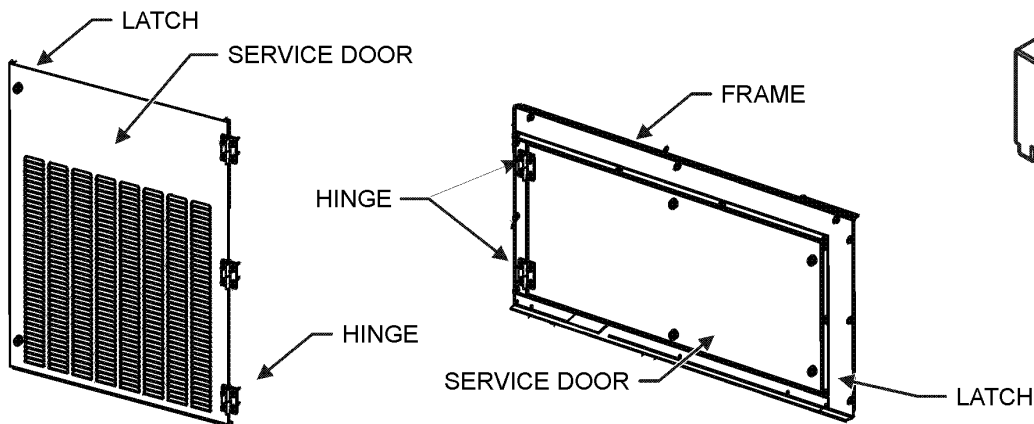
4 SMOKE DETECTORS



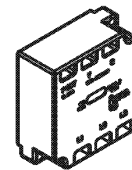
5 DDC CONTROL



6 HINGED DOOR ASSEMBLIES



7 PHASE MONITOR



Accessory Parts List

Ref. Part No: No:	Description:	Ref. Part No: No:	Description:
<i>Image 1:</i>			
NS DDNECNJ3672C	3-6 TON DFLOW ECONOMIZER (M2)		
NS 0121L00835	BRACKET-DISCONNECT SWITCH (M2)		
NS 0121L00837NG	DISCONNECT COVER (M2)		
NS 0130L00039	HANDLE, ROTARY (M2)		
NS 0130L00049	SHAFT, DISCONNECT (M2)		
NS 0130L00027	SWITCH-DISCONNECT 100A (M2)		

Expanded Model Nomenclature

- M1 - DSH060XXX1DXXXAA
- M2 - DSH060XXX3DWXXAA
- M3 - DSH060XXX3DXXXAA