

Commercial 4 Ton Package Heat Pump

DSH0480103BHXOAA
DSH0480103BMXAAA
DSH0480104BHBXAA
DSH0480104BHDCAA
DSH0480104BHXOAA
DSH0480104BMDXAA
DSH0480153BMMMAA
DSH0480154BAXDAA
DSH0480154BHMGA
DSH0480184BXXBAA
DSH048XXX3B1DDAA
DSH048XXX3B2PXAA
DSH048XXX3BVDXAA
DSH048XXX3BXXXAA
DSH048XXX4BHXNAA
DSH048XXX4BHXRAA
DSH048XXX4BVXXAA
DSH048XXX4BXXXAA
DSH048XXX7BXXXAA



This manual is to be used by qualified technicians only.

This manual replaces RP-D1117J.

Important Information

Index

Functional Parts List	3
Illustration and Parts	4 - 15

Views shown are for parts illustrations only, not servicing procedures

Text Codes:

AR - As Required

NA - Not Available

NS - Not Shown

00000000 - See Note

QTY - Quantity Example (QTY 3) (If Quantity not shown, Quantity = 1)

M - Model Example (M1) (If M Code not shown, then part is used on all Models)

Expanded Model Nomenclature:

Example M1 - Model#1 M2 - Model#2 M3 - Model#3

Daikin Company, L.P. is not responsible for personal injury or property damage resulting from improper service. Review all service information before beginning repairs.

Warranty service must be performed by an authorized technician, using authorized factory parts. If service is required after the warranty expires, Daikin Company, L.P. also recommends contacting an authorized technician and using authorized factory parts.

Daikin Company, L.P. reserves the right to discontinue, or change at any time, specifications or designs without notice or without incurring obligations.

For assistance within the U.S.A. contact:

Equipment Support
Daikin North America, LLC
19001 Kermier Road
Waller, Texas 77484
855-770-5678-Telephone
713-863-2382-Facsimile

For assistance outside the U.S.A. contact:

International Division
Daikin North America, LLC
19001 Kermier Road
Waller, Texas 77484
713-861-2500-Telephone
713-863-2382-Facsimile

Functional Parts

Part No: **Description:**

Part No:	Description:	Expanded Model Nomenclature
0130M00025	24V RELAY (M5, M6, M7, M8, M9, M12, M13, M14, M15, M17, M18, M19)	M1 - DSH048XXX3BVDXAA
B1368056	BELT DRIVE BLOWER WHEEL	M2 - DSH048XXX3BXXXAA
0131L00003	BELT DRIVE MOTOR 1 HP (M1, M2, M3, M4, M5, M6, M7, M8, M10, M11, M12, M13, M14, M15, M16, M17, M18, M19)	M3 - DSH048XXX3B1DDAA
0131L00004	BELT DRIVE MOTOR 1.5 HP 575V (M9)	M4 - DSH048XXX3B2PXAA
CAP075000440LA	CAP 7.5 MFD/440V/OVAL (M6, M13)	M5 - DSH048XXX4BHXNAA
CAP050000370LA	CAP, 5 MFD/370V/OVAL (M6, M13)	M6 - DSH048XXX4BHXRAA
CAP030000440LA	CAPACITOR 3/440V (M9)	M7 - DSH048XXX4BVXXAA
CAP050000440LA	CAPACITOR 5/440V (M1, M2, M3, M4, M10, M11, M16)	M8 - DSH048XXX4BXXXAA
ZP39K5ETF5130	COMPRESSOR 39000, 200/230/60/3 (M1, M2, M3, M4, M10, M11, M16)	M9 - DSH048XXX7BXXXAA
ZP39K5ETFD130	COMPRESSOR 39000, 460/60/3 (M5, M6, M7, M8, M12, M13, M14, M15, M17, M18, M19)	M10 - DSH0480103BHXOAA
ZP39K5ETFE130	COMPRESSOR 39000, 575/60/3 (M9)	M11 - DSH0480103BMXAAA
CONT2P040024V	CONT, 2 POLE, 40 AMP, 24 VAC (M11, M15, M16)	M12 - DSH0480104BHBXAA
CONT3P025024V	CONTACTOR 25 AMP, 3P, 24V (M5, M6, M7, M8, M9, M12, M13, M14, M15, M17, M18, M19)	M13 - DSH0480104BHDCAA
CONT3P030024V	CONTACTOR 30 AMP, 3P, 24V (M1, M2, M3, M4, M10, M11, M16)	M14 - DSH0480104BHXOAA
0130M00100	CONTROL,DEFROST	M15 - DSH0480104BMDXAA
0230L00002	CRANKCASE HEATER SWITCH (M5, M6, M7, M8, M9, M12, M13, M14, M15, M17, M18, M19)	M16 - DSH0480153BMMMAA
0130M00074	CUT-OUT SWITCH, HIGH PRESSURE	M17 - DSH0480154BAXDAA
0130M00075	CUT-OUT SWITCH, LOW PRESSURE	M18 - DSH0480154BHMGAA
PCBDM133	DEFROST CONTROL BOARD	M19 - DSH0480184BXXBAA
0130L00112	Duct Temp Sensor (M11, M15, M16)	
PCBFM103	ELECTRONIC BLOWER TIME DELAY	
0164L00010	FAN BELT, NOTCHED	
0150G00004	FAN BLADE	
0131M00847	MOTOR, 1/4 HP, 1 SP, 6 PL (M1, M2, M3, M4, M10, M11, M16)	
0131M00857	MOTOR, 380/460 50/60 HZ (M5, M7, M8, M12, M14, M15, M17, M18, M19)	
0131M00431	MOTOR, COND, 575 V (M9)	
0130L00108	OD Air Temp Sensor (M11, M15, M16)	
PCBCG103	PCB, CONTROL, HP, GAS, AC (M11, M15, M16)	
0151R00071	REVERSING VALVE	
B1225022	SOLENOID	
0130M00038	TERMINAL BOARD	
0130M00274	TERMINAL BOARD (M11, M15, M16)	
0130M00275	TERMINAL BOARD (M11, M15, M16)	
0130M00594	TRANSFORMER (M1, M2, M3, M4, M10, M11, M16)	
0130M00595	TRANSFORMER, 75VA, 480V TO 24V (M5, M6, M7, M8, M12, M13, M14, M15, M17, M18, M19)	
0130M00598	TRANSFORMER, 75VA, 575V TO 24V (M9)	

Top Panel and Tubing Assy

IMAGE 1

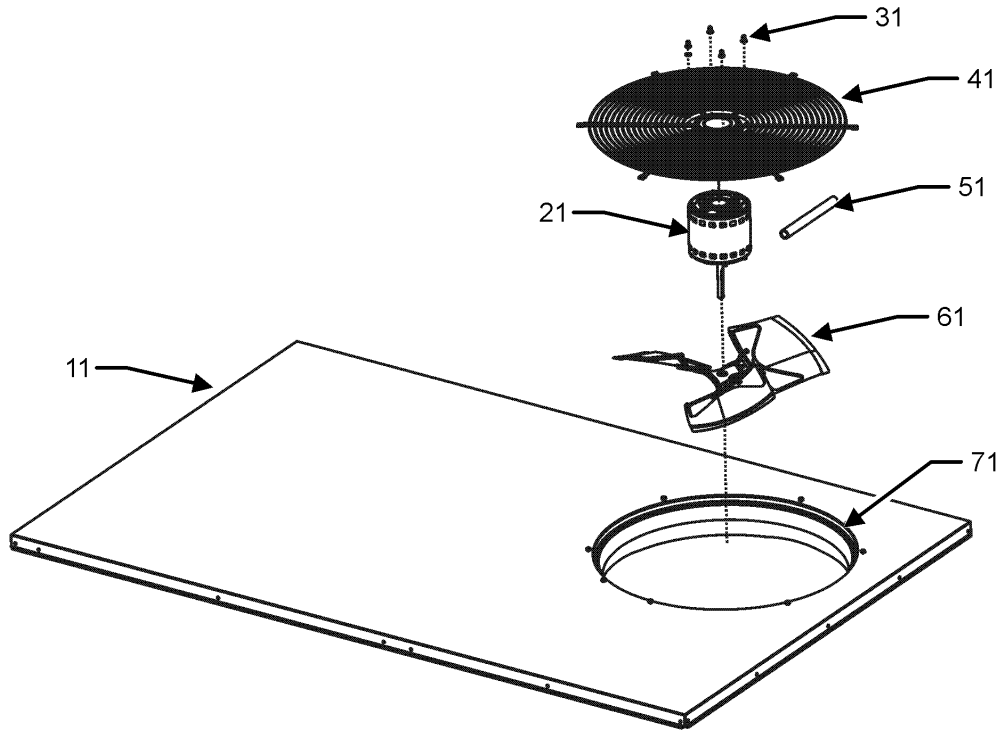
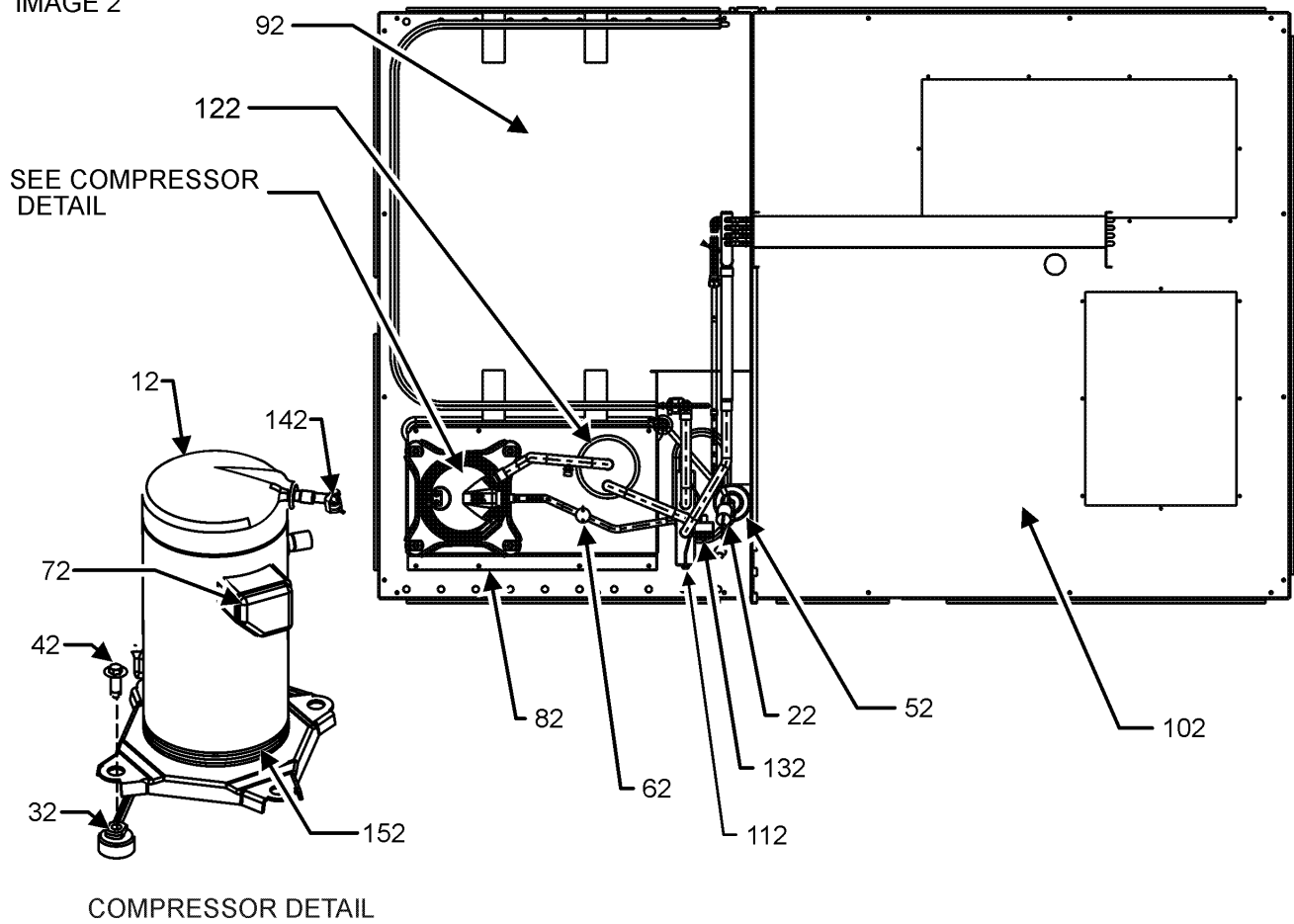


IMAGE 2



Top Panel and Tubing Assy

Ref. Part No:	No:	Description:	Ref. Part No:	No:	Description:
Image 1:			Expanded Model Nomenclature		
11	0121L00235NG	TOP PANEL	M1	-	DSH048XXX3BVDXAA
21	0131M00847	MOTOR, 1/4 HP, 1 SP, 6 PL (M1, M2, M3, M4, M10, M11, M16)	M2	-	DSH048XXX3BXXXAA
21	0131M00857	MOTOR, 380/460 50/60 HZ (M5, M7, M8, M12, M14, M15, M17, M18, M19)	M3	-	DSH048XXX3B1DDAA
21	0131L00062	MOTOR, COND, 1/4 HP, 460V (M6, M13)	M4	-	DSH048XXX3B2PXAA
21	0131M00431	MOTOR, COND, 575 V (M9)	M5	-	DSH048XXX4BHXNAA
31	0163M00006P	ACORN NUT 5/16 HEX BLACK (QTY 4)	M6	-	DSH048XXX4BHXRAA
41	0152G00003	FAN GRILLE (M1, M2, M3, M4, M5, M7, M8, M9, M10, M11, M12, M14, M15, M16, M17, M18, M19)	M7	-	DSH048XXX4BVXXAA
41	0152G00000	FAN GRILLE, RAISED (M6, M13)	M8	-	DSH048XXX4BXXXAA
51	0161R00003P	CONDUIT	M9	-	DSH048XXX7BXXXAA
61	0150G00004	FAN BLADE	M10	-	DSH0480103BHXOAA
71	0161L00000	VENTURI RING 22"	M11	-	DSH0480103BMXAAA
NS	0163M00004	SCREW #10X3/4", BLACK (QTY 18)	M12	-	DSH0480104BHBXAA
NS	0163M00005P	WASHER, BLACK (.50 OD .218ID) (QTY 4)	M13	-	DSH0480104BHDCAA
Image 2:			M14	-	DSH0480104BHXOAA
12	ZP39K5ETF5130	COMPRESSOR 39000, 200/230/60/3 (M1, M2, M3, M4, M10, M11, M16)	M15	-	DSH0480104BMDXAA
12	ZP39K5ETFD130	COMPRESSOR 39000, 460/60/3 (M5, M6, M7, M8, M12, M13, M14, M15, M17, M18, M19)	M16	-	DSH0480153BMMMAA
12	ZP39K5ETFE130	COMPRESSOR 39000, 575/60/3 (M9)	M17	-	DSH0480154BAXDAA
22	0130M00075	CUT-OUT SWITCH, LOW PRESSURE	M18	-	DSH0480154BHMGAA
32	B1339533	COMPRESSOR GROMMET (QTY 4)	M19	-	DSH0480184BXXBAA
42	M0221641	TF SHOULDER SCREW (QTY 4)			
52	B1219204	BI-FLOW FILTER DRIER			
62	0130M00074	CUT-OUT SWITCH, HIGH PRESSURE			
72	0159L00065	COMPRESSOR SCROLL HARNESS			
82	0121L01308	MOUNTING PLATE-COMPRESSOR			
92	0121L01990	BASE PAN-OUTDOOR			
102	0121L02619	BASE PAN-INDOOR			
112	0151R00071	REVERSING VALVE			
122	B1226207	ACCUMULATOR			
132	B1225022	SOLENOID			
142	0130L00019	CRANK CASE HEATER, 70W, 575V (M9)			
142	0130L00017	CRANK CASE HEATER-70W 240V (M1, M2, M3, M4, M10, M11, M16)			
142	0130L00018	CRANK CASE HEATER-70W, 480V (M5, M6, M7, M8, M12, M13, M14, M15, M17, M18, M19)			
152	0230L00002	CRANKCASE HEATER SWITCH (M5, M6, M7, M8, M9, M12, M13, M14, M15, M17, M18, M19)			
NS	B1373315	ACCESS FITTING (QTY 2)			
NS	0141L00003X	FORK BOARD (QTY 2)			
NS	0121L00055	FORK BOARD BRACKET (QTY 4)			

Cabinet Assembly

IMAGE 1

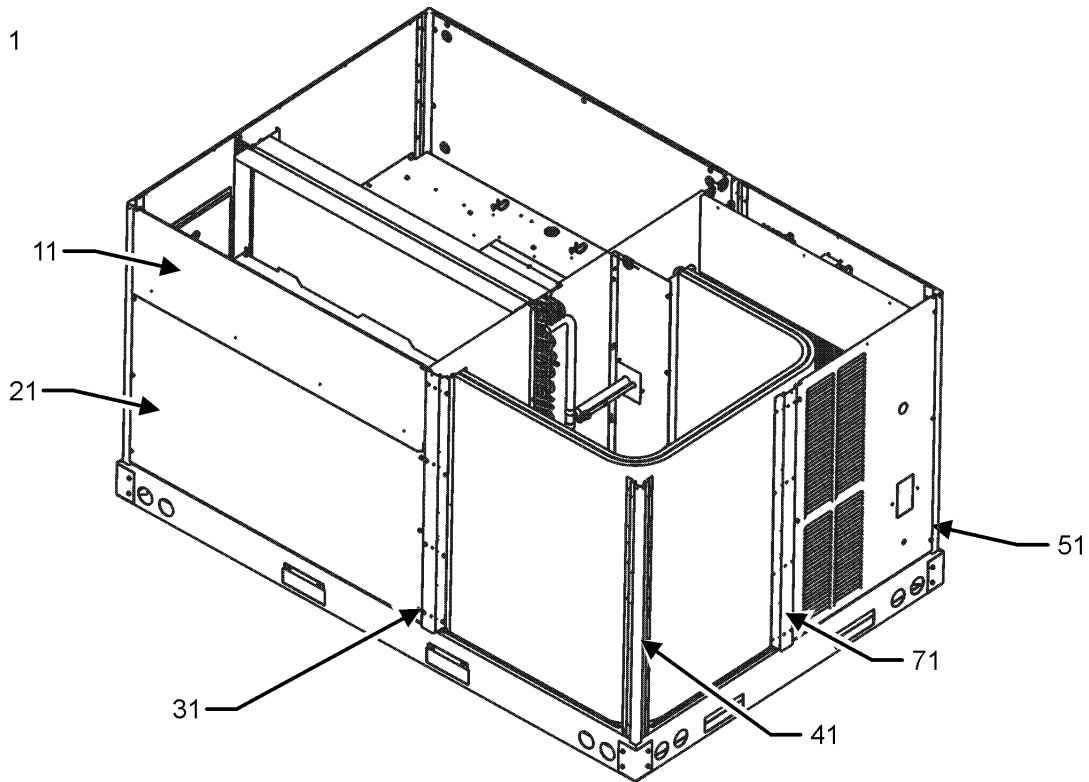
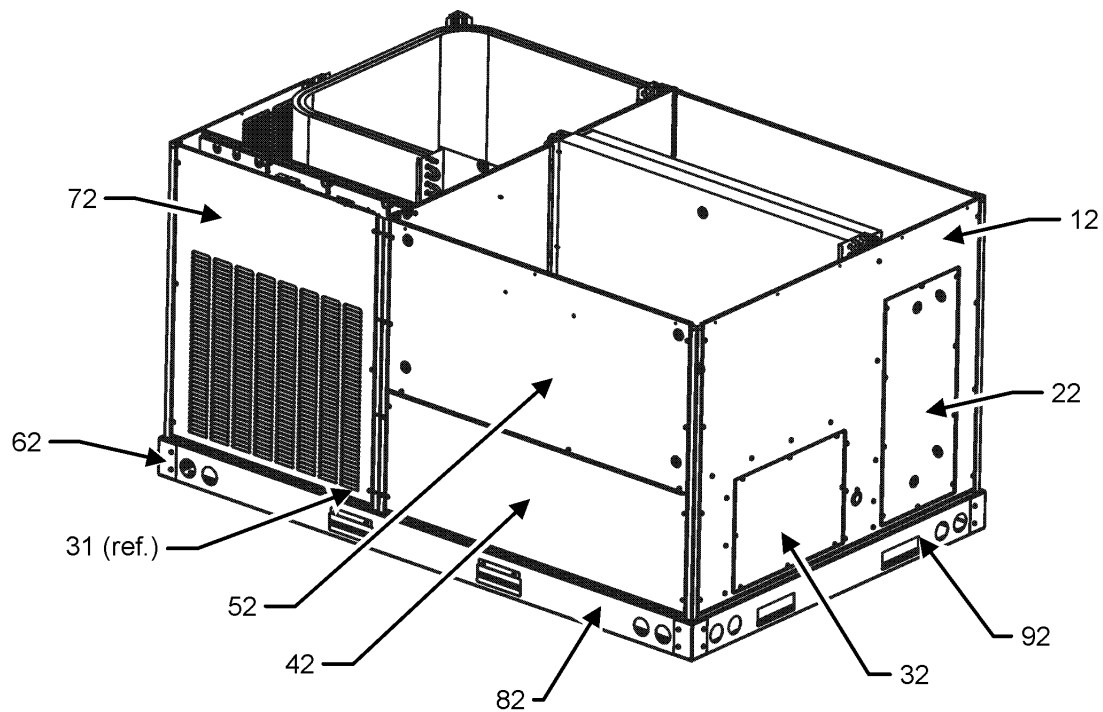


IMAGE 2



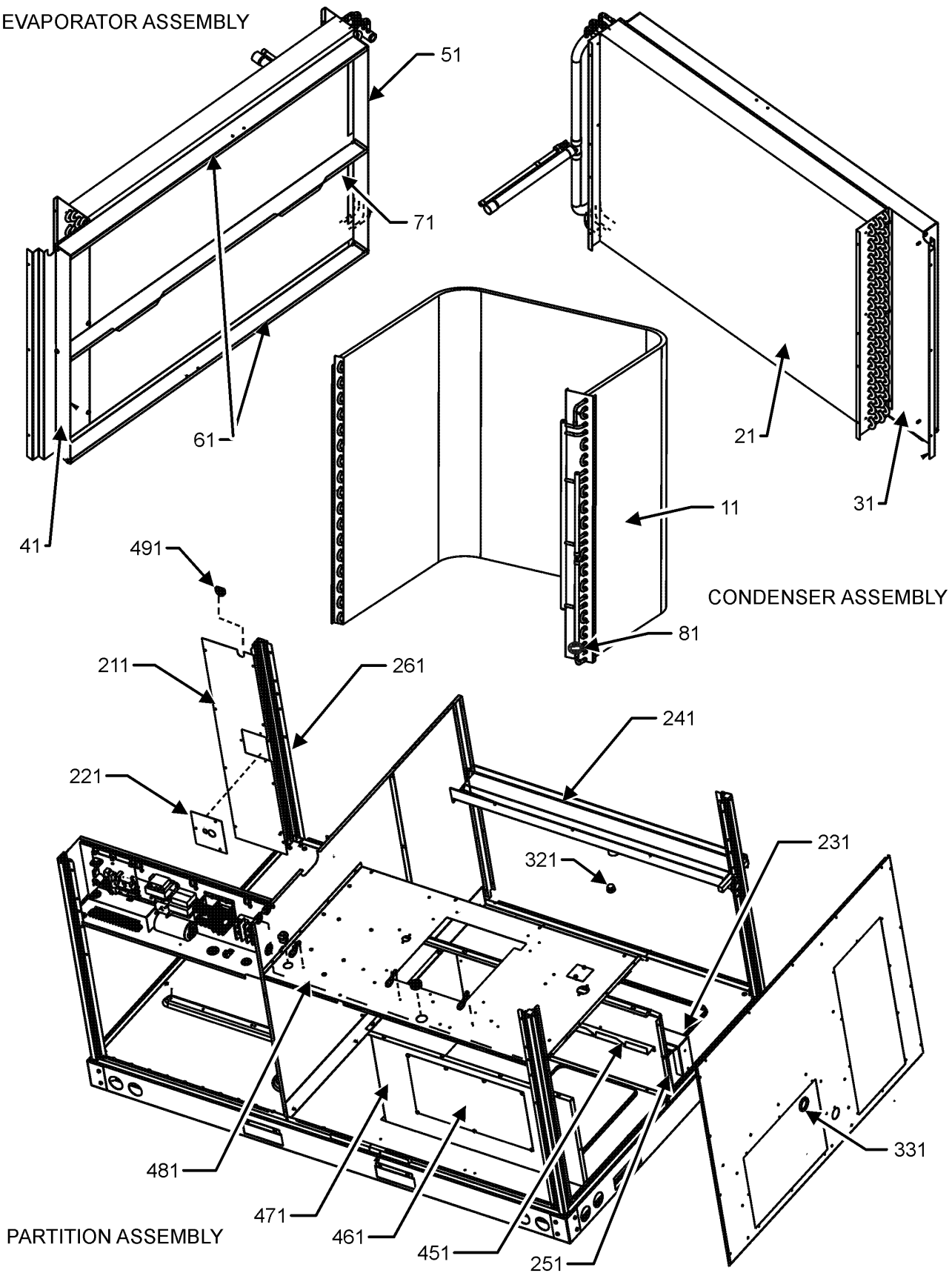
Cabinet Assembly

Ref. Part No:	No:	Description:	Ref. Part No:	No:	Description:
Image 1:			Expanded Model Nomenclature		
11	0270L00362NG	FILTER DOOR	M1	-	DSH048XXX3BVDXAA
21	0121L00976NG	ECONOMIZER DOOR (M1, M2, M3, M4, M5, M6, M7, M8, M9, M10, M11, M12, M13, M14, M15, M16, M18, M19)	M2	-	DSH048XXX3BXXXAA
31	0121L00233RFNG	POST-SIDE SUPPORT (QTY 2)	M3	-	DSH048XXX3B1DDAA
41	0121L00237RFNG	CORNER POST (M1, M3, M4, M13, M15, M16, M18)	M4	-	DSH048XXX3B2PXAA
41	0121L02553RFNG	ROLL FORMED, CORNER POST (QTY 2)	M5	-	DSH048XXX4BHXNAA
51	0121L00263NG	LOUVERED COMPRESSOR PANEL (M1, M2, M4, M5, M6, M7, M8, M9, M10, M11, M12, M13, M14, M15, M17, M18, M19)	M6	-	DSH048XXX4BHXRAA
51	0121L00836NG	LOUVERED COMPRESSOR PANEL (M3, M16)	M7	-	DSH048XXX4BVXXAA
71	0121L01374RFNG	PNT, RL FMD SIDE POST SUPPORT (M1, M3, M4, M13, M15, M16, M18)	M8	-	DSH048XXX4BXXXAA
71	0121L01159RFNG	POST-SIDE SUPPORT (M2, M5, M6, M7, M8, M9, M10, M11, M12, M14, M17, M19)	M9	-	DSH048XXX7BXXXAA
NS	0121L01309	ECONOMIZER COVER (M17)	M10	-	DSH0480103BHXOAA
NS	0164L00009	GASKET-RUBBER, CPOST (QTY 3)	M11	-	DSH0480103BMXAAA
NS	0164L00011	GASKET-RUBBER, SIDE POST (QTY 2)	M12	-	DSH0480104BHBXAA
Image 2:			M13	-	DSH0480104BHDCAA
12	0121L00236NG	DUCT PANEL	M14	-	DSH0480104BHXOAA
22	0121L00023NG	RETURN DUCT COVER	M15	-	DSH0480104BMDXAA
32	0121L00024NG	SUPPLY DUCT COVER	M16	-	DSH0480153BMMMAA
42	0121L01176NG	ELECTRIC HEAT DOOR	M17	-	DSH0480154BAXDAA
52	0121L01157NG	BLOWER DOOR	M18	-	DSH0480154BHMGA A
62	0121G00301	RAIL CORNER BRACKET (QTY 4)	M19	-	DSH0480184BXXBAA
72	0121L01121NG	LOUVERED CONTROL PANEL (M2, M5, M6, M7, M8, M9, M10, M11, M12, M14, M17, M19)			
72	0121L02551NG	PNT, CONTROL DOOR (M1, M3, M4, M13, M15, M16, M18)			
82	0121L00244RF	SIDE RAIL (QTY 2)			
92	0121L00245	END RAIL			
NS	0121L02655	END RAIL			

Partition, Condenser and Evaporator Assy

EVAPORATOR ASSEMBLY

CONDENSER ASSEMBLY



Partition, Condenser and Evaporator Assy

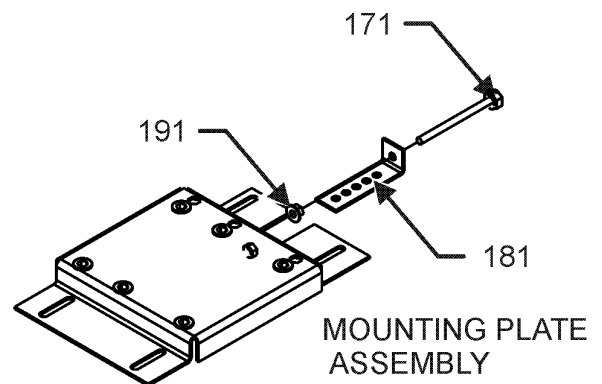
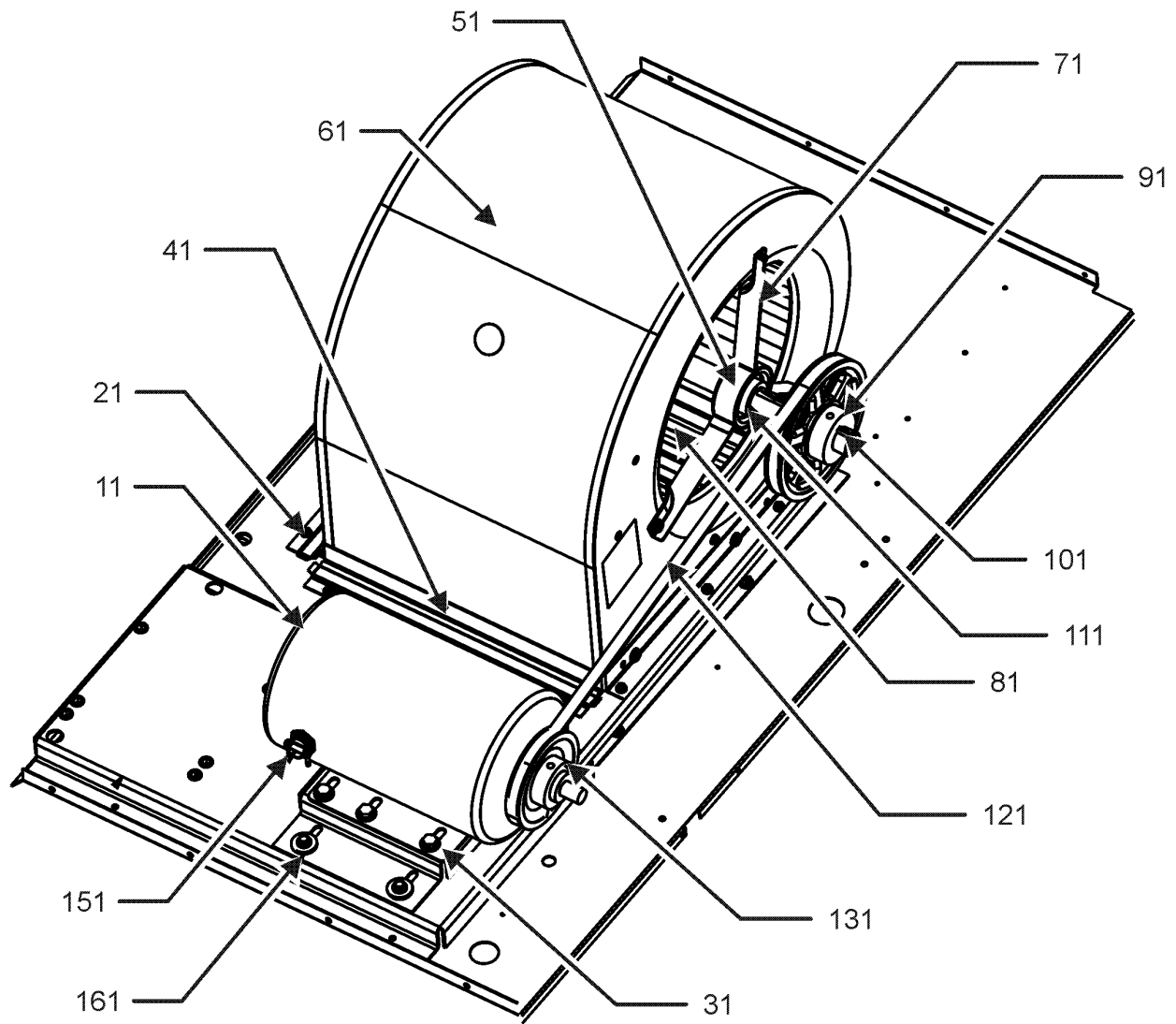
Ref. Part No:	Part No:	Description:	Ref. Part No:	Part No:	Description:
Image 1:					
11	0201L00290	CONDENSER COIL TUBING ASSY			
21	0202L00143	EVAPORATOR COIL TUBING ASSY			
31	0121L00252	BLOCKOFF-EVAPORATOR (M1, M2, M4, M5, M6, M7, M8, M9, M10, M11, M12, M13, M14, M15, M16, M19)			
31	0121L00337	BLOCKOFF-EVAPORATOR (M3, M17, M18)			
41	0121L00303	FILTER ANGLE-VERTICAL (HAIRPIN SIDE)			
51	0121L00287	FILTER ANGLE-VERTICAL (RETURN SIDE)			
61	0121L00932	FILTER ANGLE-HORIZONTAL (QTY 2)			
71	0121L01255	ANGLE-FILTER CENTER			
81	0130M00100	CONTROL,DEFROST			
211	0121L00311	COND BLOCK-OFF			
221	0121L00939	CONDENSER BLOCKOFF PLATE			
231	0121L00238	DRAIN PAN SUPPORT			
241	0161L00005	DRAIN PAN			
251	0121L02123	DECK SIDE CHANNEL			
261	0121L00254	COND MOUNTING ANGLE			
321	0163L00071	DRAIN PLUG			
331	0154L00009	DRAIN PAN GASKET			
451	0121L00288	ELECTRIC HEAT RETAINER			
461	0121L00144	ELECTRIC HEAT COVER			
471	0121L00256	ELECTRIC HEAT PANEL			
481	0121L03396	DECK-BLOWER			
491	A4568804	GROMMET-D (QTY 4)			
NS	0160L00173	AIR FILTER 14 X 20 X 2 (QTY 4)			
NS	0121L01377	BLOWER DECK SUPPORT (M1, M3, M4, M13, M15, M16, M18)			
NS	0121L00321	SMOKE DETECTOR COVER			

Expanded Model Nomenclature

M1 - DSH048XXX3BVDXAA
M2 - DSH048XXX3BXXXAA
M3 - DSH048XXX3B1DDAA
M4 - DSH048XXX3B2PXAA
M5 - DSH048XXX4BHXNAA
M6 - DSH048XXX4BHXRAA
M7 - DSH048XXX4BVXXAA
M8 - DSH048XXX4BXXXAA
M9 - DSH048XXX7BXXXAA
M10 - DSH0480103BHXOAA
M11 - DSH0480103BMXAAA
M12 - DSH0480104BHBXAA
M13 - DSH0480104BHDCAA
M14 - DSH0480104BHXOAA
M15 - DSH0480104BMDXAA
M16 - DSH0480153BMMMAA
M17 - DSH0480154BAXDAA
M18 - DSH0480154BHMGA A
M19 - DSH0480184BXXBAA

Belt Drive Blower Assembly

BLOWER HOUSING AND MOTOR ASSEMBLY



Belt Drive Blower Assembly

Ref. Part No:	Part No:	Description:	Ref. Part No:	Part No:	Description:
---------------	----------	--------------	---------------	----------	--------------

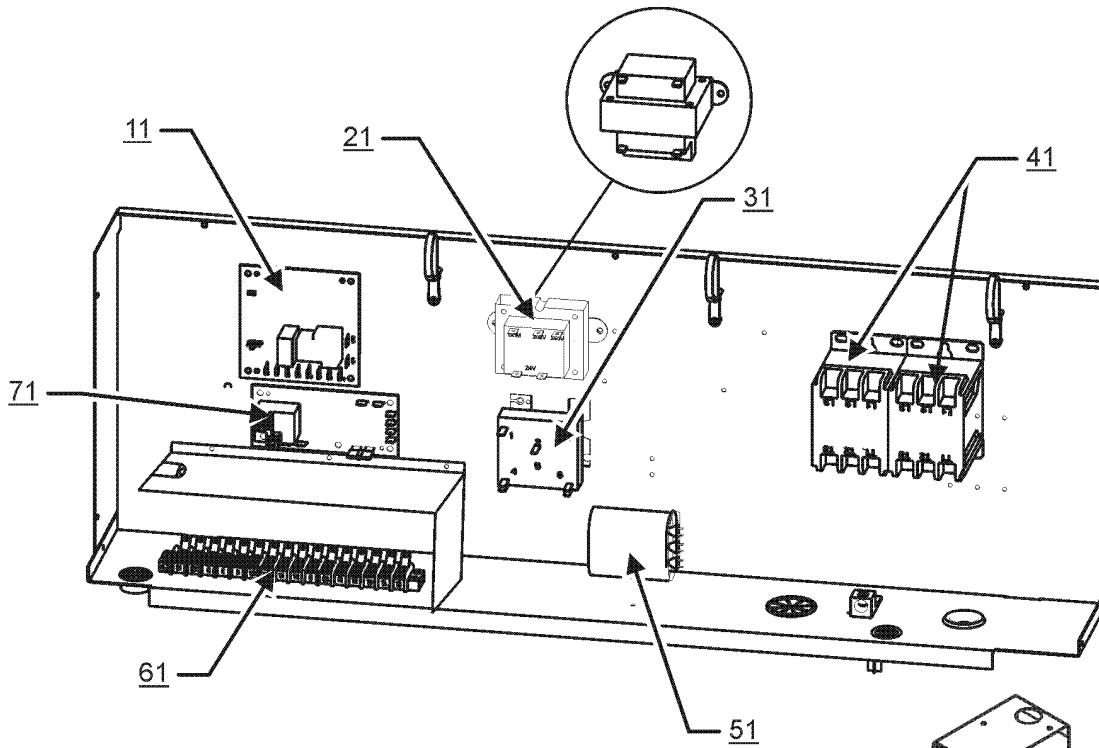
Image 1:

11	0131L00003	BELT DRIVE MOTOR 1 HP (M1, M2, M3, M4, M5, M6, M7, M8, M10, M11, M12, M13, M14, M15, M16, M17, M18, M19)
11	0131L00004	BELT DRIVE MOTOR 1.5 HP 575V (M9)
21	0121L00297	BLOWER SIDE ANGLE (QTY 3)
31	0121L01619	MOTOR BASE
41	0121L00281	BLOWER MOUNTING ANGLE
51	0163L00005	BELT DRIVE BLOWER SHAFT
61	2539302F	BLOWER HOUSING 11 X 10
71	B3201300	MOUNTING BRACKET BEARING (QTY 2)
81	B1368056	BELT DRIVE BLOWER WHEEL
91	0163L00135	SHEAVE, FIXED AK66H
101	0163M00407	MACHINE KEY, SPECIAL
111	0163L00247	BEARING, BALL, MOUNTED (QTY 2)
121	0164L00010	FAN BELT, NOTCHED
131	0163L00024	VARIABLE PITCH SHEAVE 1VL40 X 5/8"
151	B1393726	ELECT. CONNECTING BUSHING
161	B1393738	BOLT 1/4-20 X 3/4" (QTY 4)
171	0163M00045	BOLT 1/4-20 X 4"
181	3225000F	BELT TIGHTENER ANGLE
191	B1393023	NUT / LOCK .25-20
NS	1864703	BLOWER CUT-OFF
NS	B1398603	STEEL KEY (000158812) 4.5"

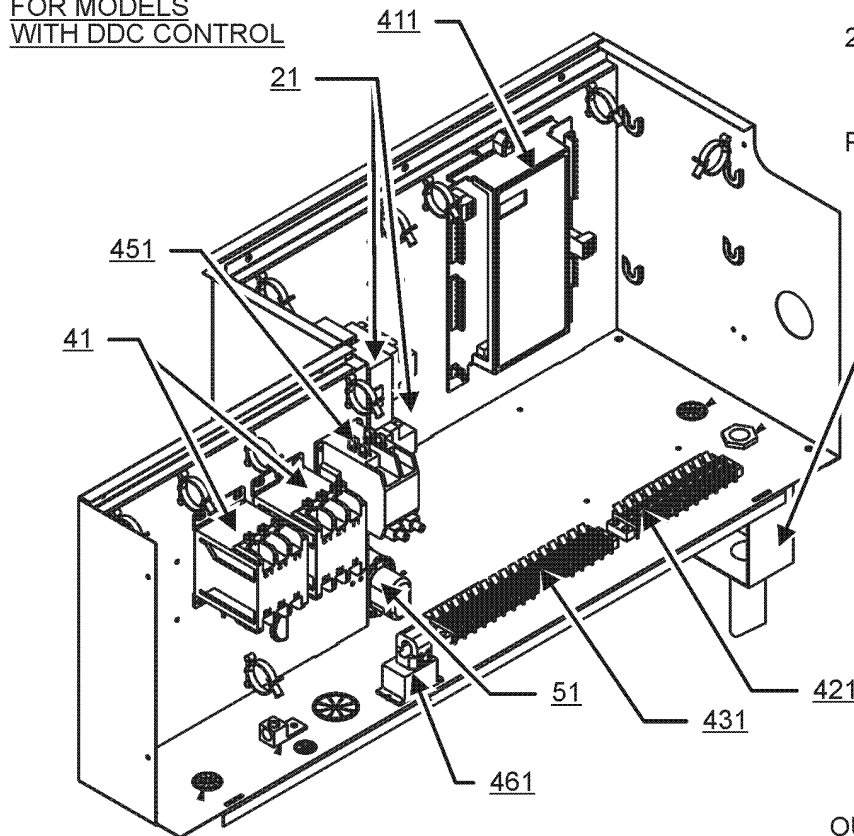
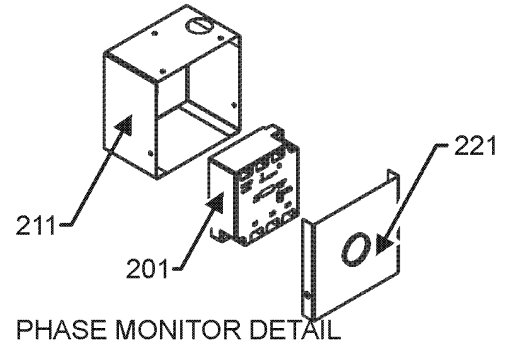
Expanded Model Nomenclature

- M1 - DSH048XXX3BVDXAA
- M2 - DSH048XXX3BXXXXAA
- M3 - DSH048XXX3B1DDAA
- M4 - DSH048XXX3B2PXAA
- M5 - DSH048XXX4BHXNAA
- M6 - DSH048XXX4BHXRAA
- M7 - DSH048XXX4BVXXAA
- M8 - DSH048XXX4BXXXXAA
- M9 - DSH048XXX7BXXXXAA
- M10 - DSH0480103BHXOAA
- M11 - DSH0480103BMXAAA
- M12 - DSH0480104BHBXAA
- M13 - DSH0480104BHDCAA
- M14 - DSH0480104BHXOAA
- M15 - DSH0480104BMDXAA
- M16 - DSH0480153BMMMAA
- M17 - DSH0480154BAXDAA
- M18 - DSH0480154BHMGA A
- M19 - DSH0480184BXXBAA

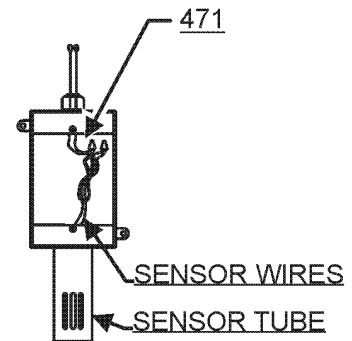
Control Box Assembly



CONTROL BOX
FOR MODELS
WITH DDC CONTROL



SEE OUTDOOR
AIR TEMP SENSOR
DETAIL



OUTDOOR AIR TEMP SENSOR DETAIL

Control Box Assembly

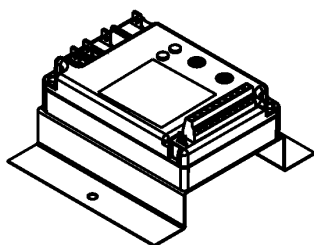
Ref. Part No:	No:	Description:	Ref. Part No:	Description:
Image 1:			Expanded Model Nomenclature	
11	PCBDM133	DEFROST CONTROL BOARD	M1	- DSH048XXX3BVDXAA
21	0130M00594	TRANSFORMER (M1, M2, M3, M4, M10, M11, M16)	M2	- DSH048XXX3BXXXAA
21	0130M00595	TRANSFORMER, 75VA, 480V TO 24V (M5, M6, M7, M8, M12, M13, M14, M15, M17, M18, M19)	M3	- DSH048XXX3B1DDAA
21	0130M00598	TRANSFORMER, 75VA, 575V TO 24V (M9)	M4	- DSH048XXX3B2PXAA
31	0130M00025	24V RELAY (M5, M6, M7, M8, M9, M12, M13, M14, M15, M17, M18, M19)	M5	- DSH048XXX4BHXNAA
41	CONT3P025024V	CONTACTOR 25 AMP, 3P, 24V (M5, M6, M7, M8, M9, M12, M13, M14, M15, M17, M18, M19)	M6	- DSH048XXX4BHXRAA
41	CONT3P030024V	CONTACTOR 30 AMP, 3P, 24V (M1, M2, M3, M4, M10, M11, M16)	M7	- DSH048XXX4BVXXAA
51	CAP075000440LA	CAP 7.5 MFD/440V/OVAL (M6, M13)	M8	- DSH048XXX4BXXXAA
51	CAP050000370LA	CAP, 5 MFD/370V/OVAL (M6, M13)	M9	- DSH048XXX7BXXXAA
51	CAP030000440LA	CAPACITOR 3/440V (M9)	M10	- DSH0480103BHXOAA
51	CAP050000440LA	CAPACITOR 5/440V (M1, M2, M3, M4, M10, M11, M16)	M11	- DSH0480103BMXAAA
61	0130M00038	TERMINAL BOARD	M12	- DSH0480104BHBXAA
71	PCBFM103	ELECTRONIC BLOWER TIME DELAY	M13	- DSH0480104BHDCAA
201	0130L00105	PHASE MONITOR (M12, M16, M18)	M14	- DSH0480104BHXOAA
211	0121L01468	CONTROL, PH MON BOX (M12, M18)	M15	- DSH0480104BMDXAA
221	0121L01467	CONTROL, PH MON LID (M12, M18)	M16	- DSH0480153BMMMAA
411	PCBCG103	PCB, CONTROL, HP, GAS, AC (M11, M15, M16)	M17	- DSH0480154BAXDAA
421	0130M00274	TERMINAL BOARD (M11, M15, M16)	M18	- DSH0480154BHMCAA
431	0130M00275	TERMINAL BOARD (M11, M15, M16)	M19	- DSH0480184BXXBAA
451	CONT2P040024V	CONT, 2 POLE, 40 AMP, 24 VAC (M11, M15, M16)		
461	0259L00368	CURRENT SWITCH WITH TERMS (M11, M15, M16)		
471	0130L00108	OD Air Temp Sensor (M11, M15, M16)		
NS	B821700	CAPACITOR BOOT (M11, M15, M16)		
NS	20520901	CAPACITOR STRAP		
NS	0259L00077	DEFROST HARNESS (M1, M2, M3, M4, M10, M11, M16)		
NS	0259L00078	DEFROST HARNESS (M5, M6, M7, M8, M9, M12, M13, M14, M15, M17, M18, M19)		
NS	0130L00112	Duct Temp Sensor (M11, M15, M16)		
NS	0259L00178	HARNESS, ECONOMIZER		
NS	0259L00092	HARNESS-SMOKE DETECTOR SENSOR (M10, M14)		
NS	0130L00107	ROOM SENSOR (M11, M15, M16)		
NS	0259L00427	WIRE ASSY (M12, M16)		
NS	0259L00428	WIRE ASSY (M12, M16, M18)		
NS	0259L00122	WIRE HARNESS, CONTROL		
NS	0259L00090	WIRE HARNESS-SMOKE DETECTOR (M5)		
NS	0259L00054	WIRING HARNESS (M11, M15, M16)		
NS	0259L00061	WIRING HARNESS		
NS	0259L00065	WIRING HARNESS		
NS	0259L00070	WIRING HARNESS (M6, M13)		

Accessory Parts List

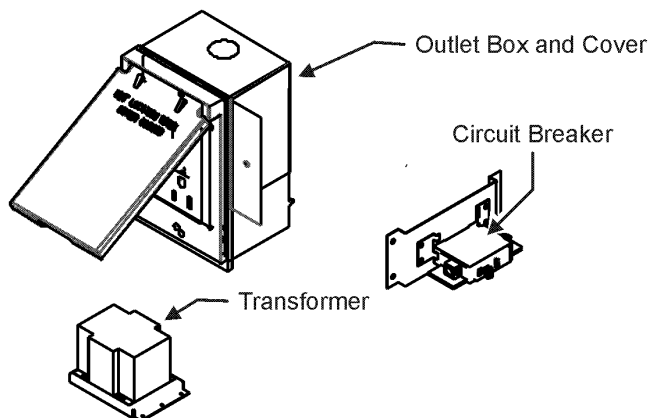
ACCESSORY PARTS LIST

NOTE: NOT ALL OPTIONS AVAILABLE FOR ALL PRODUCTS

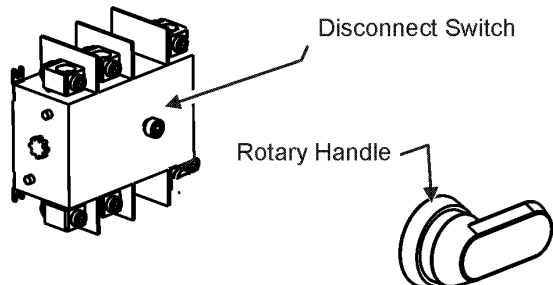
1 LOW AMBIENT KITS



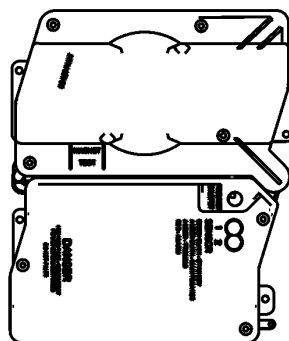
2 GFCI CONVENIENCE OUTLET



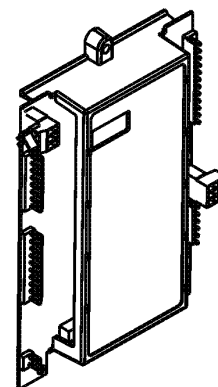
3 DISCONNECT MODULE (NON-FUSED)



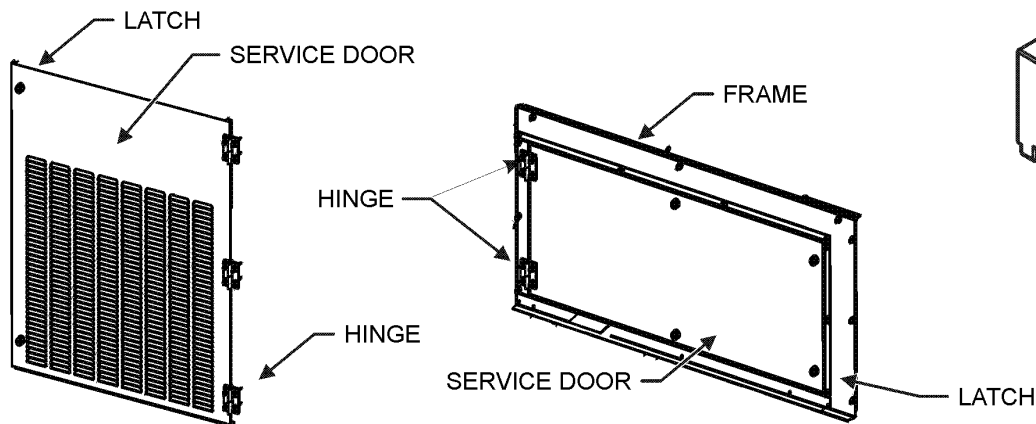
4 SMOKE DETECTORS



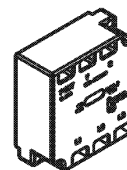
5 DDC CONTROL



6 HINGED DOOR ASSEMBLIES



7 PHASE MONITOR



Accessory Parts List

Ref. Part No:	Description:	Ref. Part No:	Description:
Image 1:		Expanded Model Nomenclature	
NS EHK3-10	10 KW 203-230/3 ELECTRIC EHAT (M10, M11)	M1 - DSH048XXX3BVDXAA	
NS EHK4-10	10 KW 460/3 ELECTRIC HEAT (M12, M13, M14, M15)	M2 - DSH048XXX3BXXXAA	
NS EHK3-15	15 KW 208-230/3 ELECTRIC HEAT (M16)	M3 - DSH048XXX3B1DDAA	
NS EHK4-15	15 KW 460/3 (M17, M18)	M4 - DSH048XXX3B2PXAA	
NS EHK4-18	18 KW 460/3 ELECTRIC HEAT (M19)	M5 - DSH048XXX4BHXNAA	
NS 1036609C	3-6 TON DFLOW ECONOMIZER (M17)	M6 - DSH048XXX4BHXRAA	
NS DDNECNJ3672C	3-6 TON DFLOW ECONOMIZER (M1, M4, M7)	M7 - DSH048XXX4BVXXAA	
NS 0121L01934	BRACKET SMOKE DETECTOR (M5, M10, M14)	M8 - DSH048XXX4BXXXAA	
NS 0121L00316	BRACKET-CONV OUTLET MOUNT (M5, M6, M10, M11, M14, M16, M18, M19)	M9 - DSH048XXX7BXXXAA	
NS 0121L00835	BRACKET-DISCONNECT SWITCH (M3, M5, M6, M10, M11, M12, M13, M14, M15, M18)	M10 - DSH0480103BHXOAA	
NS 0130M00065	CIRCUIT BREAKER, CONVENIENCE OUTLET (M5, M6, M10, M14, M16, M19)	M11 - DSH0480103BMXAAA	
NS 0121L00837NG	DISCONNECT COVER (M3, M5, M6, M10, M11, M12, M13, M14, M15, M16, M18)	M12 - DSH0480104BHBXAA	
NS 0130L00012	GANG BOX-GFCI OUTLET (M5, M6, M10, M11, M14, M16, M18, M19)	M13 - DSH0480104BHDCAA	
NS 0130L00039	HANDLE, ROTARY (M3, M5, M6, M10, M11, M12, M13, M14, M15, M18)	M14 - DSH0480104BHXOAA	
NS 0163M00307	HINGE, LEFT HAND (M1, M3, M4, M13, M15, M16, M18)	M15 - DSH0480104BMDXAA	
NS 0163M00308	HINGE, RIGHT HAND (M1, M3, M4, M13, M15, M16, M18)	M16 - DSH0480153BMMMAA	
NS 0163M00360	LATCH (M1, M3, M4, M13, M15, M16, M18)	M17 - DSH0480154BAXDAA	
NS 0130M00058	LOW AMBIENT KIT (M6, M13)	M18 - DSH0480154BHMGA A	
NS 0121L02509NG	PNT, BLOWER FRAME (M1, M3, M4, M13, M15, M16, M18)	M19 - DSH0480184BXXBAA	
NS 0161G00012	POWER OUTLET BOX (M5, M6, M10, M11, M14, M16, M18, M19)		
NS 0130L00103	RECEPTACLE-GFCI OUTLET (M5, M6, M10, M11, M14, M16, M18, M19)		
NS RS400	REMOTE SENSOR (M3, M4)		
NS SP400	SENSOR PACK (M3, M4)		
NS 0121L02527NG	SERVICE DOOR BACK , BLOWER (M1, M3, M4, M13, M15, M16, M18)		
NS 0121L02526NG	SERVICE DOOR FRONT, BLOWER (M1, M3, M4, M13, M15, M16, M18)		
NS 0130L00042	SHAFT, CUT (M3, M5, M6, M10, M11, M12, M13, M14, M15, M18)		
NS 0130L00049	SHAFT, DISCONNECT (M3, M5, M6, M10, M11, M12, M13, M14, M15, M16, M18)		
NS D4120	SMOKE DETECTOR, PHOTO 4WIRE (M5)		
NS D4S	SMOKE DETECTOR, SENSOR ONLY (M10, M14)		
NS ECP400-5	SURVEYOR ECP (M3, M4)		
NS 0130L00027	SWITCH-DISCONNECT 100A (M3, M16)		
NS 0130L00046	SWITCH-DISCONNECT 60A (M5, M6, M10, M11, M12, M13, M14, M15, M18)		
NS 0130M00061	TRANSFORMER, CONVENIENCE OUTLET (M5, M6, M10, M14, M16, M19)		