

Commercial 4 Ton Direct Drive Package Heat Pump

DSH048XXX1DXXXAA
DSH048XXX3DHXXXAA
DSH048XXX3DXXXAA



This manual is to be used by qualified technicians only.

This manual replaces RP-D1126A.

© 2016 - 2018 **DAIKIN COMPANY, L.P.** ♦ 5151 San Felipe St., Suite 500 ♦ Houston, TX 77056

Important Information

Index

Functional Parts List	3
Illustration and Parts	4 - 13

Views shown are for parts illustrations only, not servicing procedures.

Text Codes:

AR - As Required

NA - Not Available

NS - Not Shown

00000000 - See Note

QTY - Quantity Example (QTY 3) (If Quantity not shown, Quantity = 1)

M - Model Example (M1) (If M Code not shown, then part is used on all Models)

Expanded Model Nomenclature:

Example
M1 - Model#1
M2 - Model#2
M3 - Model#3

Daikin Company, L.P. is not responsible for personal injury or property damage resulting from improper service. Review all service information before beginning repairs.

Warranty service must be performed by an authorized technician, using authorized factory parts. If service is required after the warranty expires, Daikin Company, L.P. also recommends contacting an authorized technician and using authorized factory parts.

Daikin Company, L.P. reserves the right to discontinue, or change at any time, specifications or designs without notice or without incurring obligations.

For assistance within the U.S.A. contact:

Equipment Support
Daikin North America, LLC
19001 Kermier Road
Waller, Texas 77484
855-770-5678-Telephone
713-863-2382-Facsimile

For assistance outside the U.S.A. contact:

International Division
Daikin North America, LLC
19001 Kermier Road
Waller, Texas 77484
713-861-2500-Telephone
713-863-2382-Facsimile

Functional Parts

Part

No: Description:

0130M00025	24V RELAY
D6723303	BLOWER WHEEL
CAP100450440CS	CAP, 10/45 MFD/ 440V DUAL RD (M1)
CAP200000440CP	CAP, 20 MFD/440V/ RD
CAP100000370LA	CAPACITOR 10/370V (M2, M3)
ZP39K5ETF5130	COMPRESSOR 39000, 200/230/60/3 (M2, M3)
ZP39K5EPFV130	COMPRESSOR 39000, 208/230/60/1 (M1)
CONT3P025024V	CONTACTOR 25 AMP, 3P, 24V (M2, M3)
CONT1P030024V	CONTACTOR 30 AMP, 1P, 24V (M1)
0130L00017	CRANK CASE HEATER-70W 240V
0130M00074	CUT-OUT SWITCH, HIGH PRESSURE
0130M00075	CUT-OUT SWITCH, LOW PRESSURE
0130M00100	DEFROST CONTROL
PCBDM133	DEFROST CONTROL BOARD
0130M00106	DISC THERMOSTAT CRNKCS HTR SW
PCBFM103	ELECTRONIC BLOWER TIME DELAY
0150G00004	FAN BLADE
0131M00847	MOTOR, 1/4 HP, 1 SP, 6 PL (M2, M3)
0131M00837	MOTOR, 1/4 HP, OD (M1)
0131M00826	MOTOR, 3/4 HP PEP
0151R00071	REVERSING VALVE
B1225022	SOLENOID COIL
0130M00038	TERMINAL BOARD
0130M00144	TRANSFORMER

Expanded Model Nomenclature

M1 - DSH048XXX1DXXXAA
M2 - DSH048XXX3DHXXXAA
M3 - DSH048XXX3DXXXAA

Top Panel and Tubing Assembly

IMAGE 1

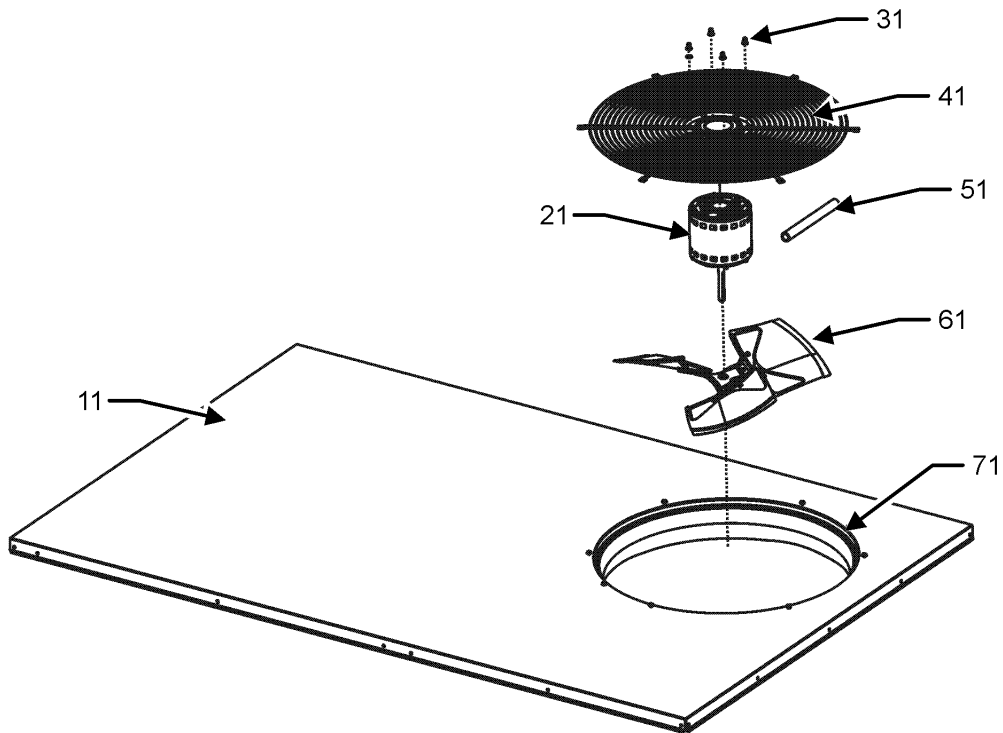
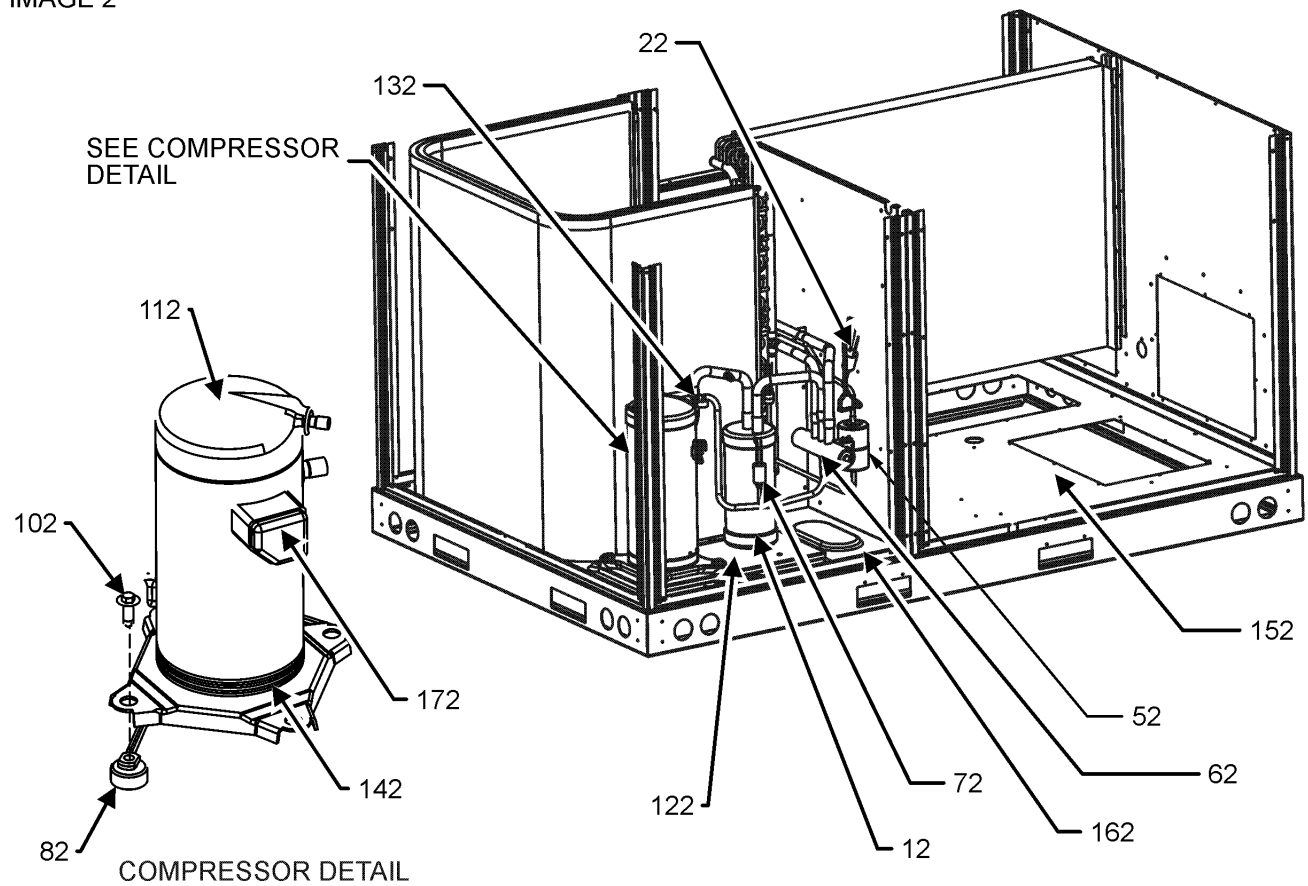


IMAGE 2



Top Panel and Tubing Assembly

Ref. Part No: No:	Description:	Ref. Part No: No:	Description:
-------------------	--------------	-------------------	--------------

Image 1:

11	0121L00235NG	TOP PANEL
21	0131M00847	MOTOR, 1/4 HP, 1 SP, 6 PL (M2, M3)
21	0131M00837	MOTOR, 1/4 HP, OD (M1)
31	0163M00006P	ACORN NUT 5/16 HEX BLACK (QTY 4)
41	0152G00003	FAN GRILLE (M2, M3)
41	0152G00000	FAN GRILLE, RAISED (M1)
51	17788000083F	PVC CONDUIT 8.25"
61	0150G00004	FAN BLADE
71	0161L00000	VENTURI RING 22"
NS	0163M00004	SCREW #10X3/4", BLACK (QTY 18)
NS	0163M00005P	WASHER, BLACK (.50 OD .218ID) (QTY 4)

Image 2:

12	B1226207	ACCUMULATOR .875
22	0130M00075	CUT-OUT SWITCH, LOW PRESSURE
52	B1219204	BI-FLOW FILTER DRIER
62	0151R00071	REVERSING VALVE
72	0130M00074	CUT-OUT SWITCH, HIGH PRESSURE
82	B1339533	COMPRESSOR GROMMET (QTY 4)
102	M0221641	TF SHOULDER SCREW (QTY 4)
112	ZP39K5ETF5130	COMPRESSOR 39000, 200/230/60/3 (M2, M3)
112	ZP39K5EPFV130	COMPRESSOR 39000, 208/230/60/1 (M1)
122	0121L01308	MOUNTING PLATE-COMPRESSOR
132	0130M00106	DISC THERMOSTAT CRNKCS HTR SW
142	0130L00017	CRANK CASE HEATER-70W 240V
152	0121L02619	BASE PAN-INDOOR
162	0121L01990	BASE PAN-OUTDOOR
172	0159L00027	COMPRESSOR SCROLL HARNESS (M1)
172	0159L00065	COMPRESSOR SCROLL HARNESS (M2, M3)
NS	B1373315	ACCESS FITTING (QTY 2)
NS	0163M00175	CAP WITH O-RING (QTY 2)
NS	B1225022	SOLENOID COIL

Expanded Model Nomenclature

M1 - DSH048XXX1DXXXAA
M2 - DSH048XXX3DHXXXAA
M3 - DSH048XXX3DXXXAA

Cabinet Assembly

IMAGE 1

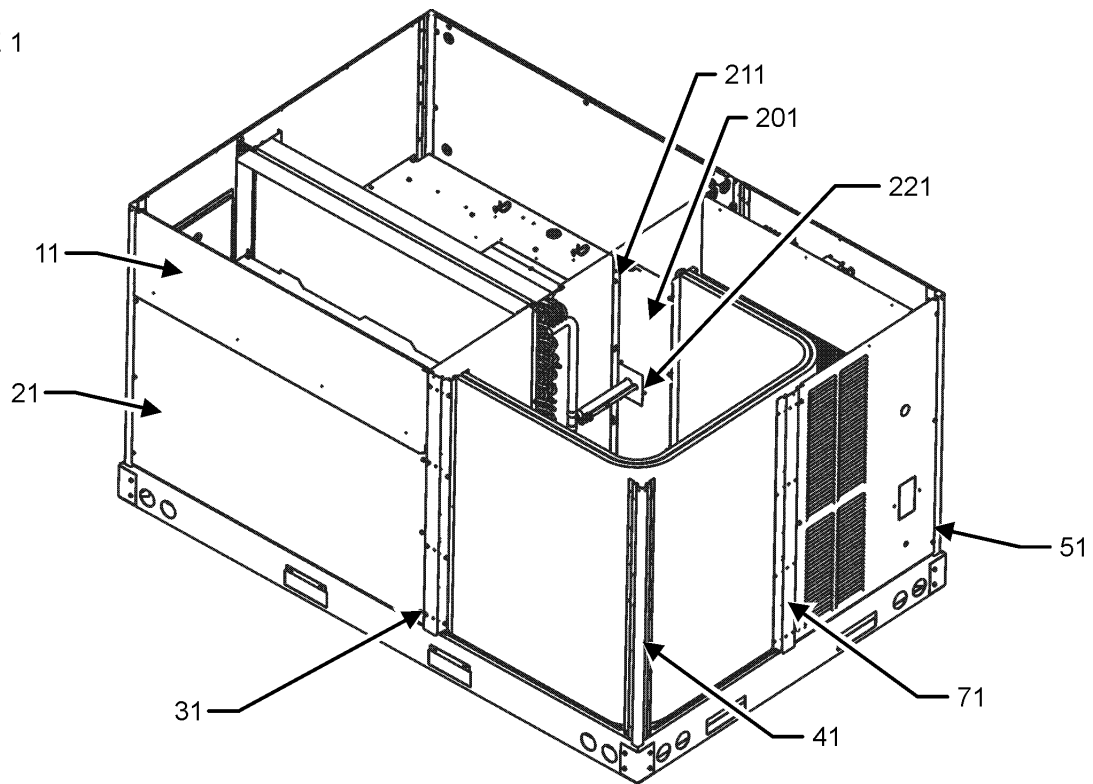
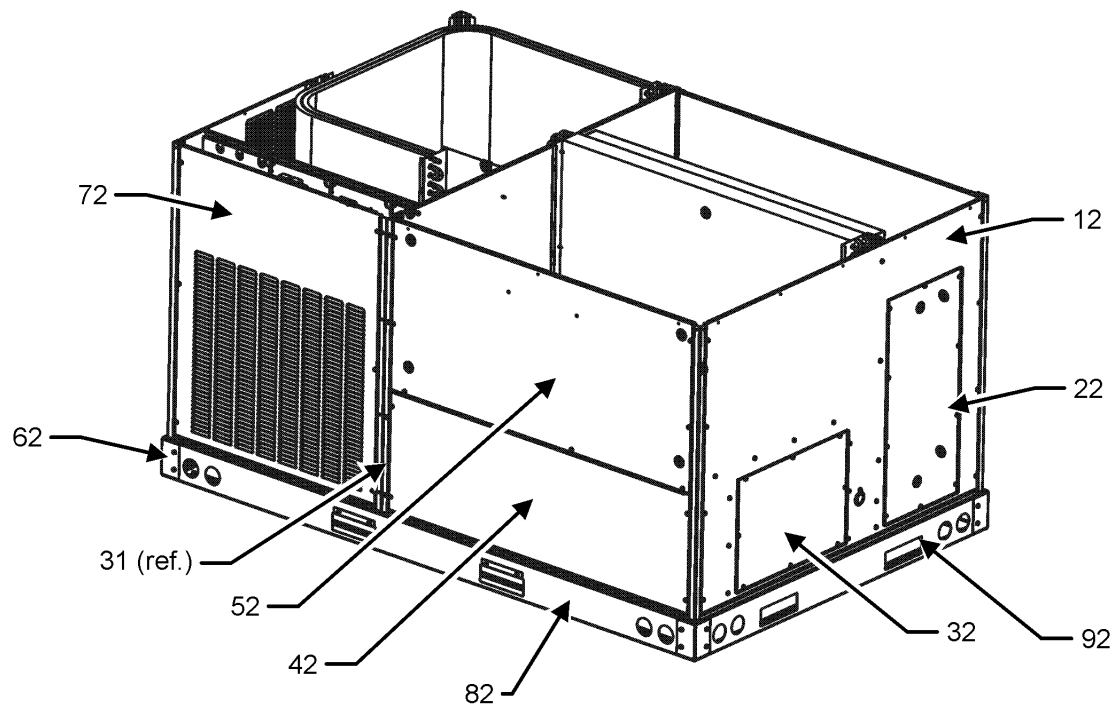


IMAGE 2



Cabinet Assembly

Ref. Part No:	No:	Description:	Ref. Part No:	No:	Description:
---------------	-----	--------------	---------------	-----	--------------

Image 1:

11	0270L00362NG	FILTER DOOR
21	0121L00976NG	ECONOMIZER DOOR
31	0121L00233RFNG	POST-SIDE SUPPORT (QTY 2)
41	0121L00237RFNG	CORNER POST (QTY 4)
51	0121L00263NG	LOUVERED COMPRESSOR PANEL (M1, M3)
51	0121L00836NG	PNT, COMP LOUVER DISC PNL (M2)
71	0121L01159RFNG	POST-SIDE SUPPORT
201	0121L00311	COND BLOCK-OFF
211	0121L00254	COND MOUNTING ANGLE
221	0121L00939	CONDENSER BLOCKOFF PLATE
NS	0164L00009	GASKET-RUBBER, CPOST (QTY 3)
NS	0164L00011	GASKET-RUBBER, SIDE POST (QTY 2)

Image 2:

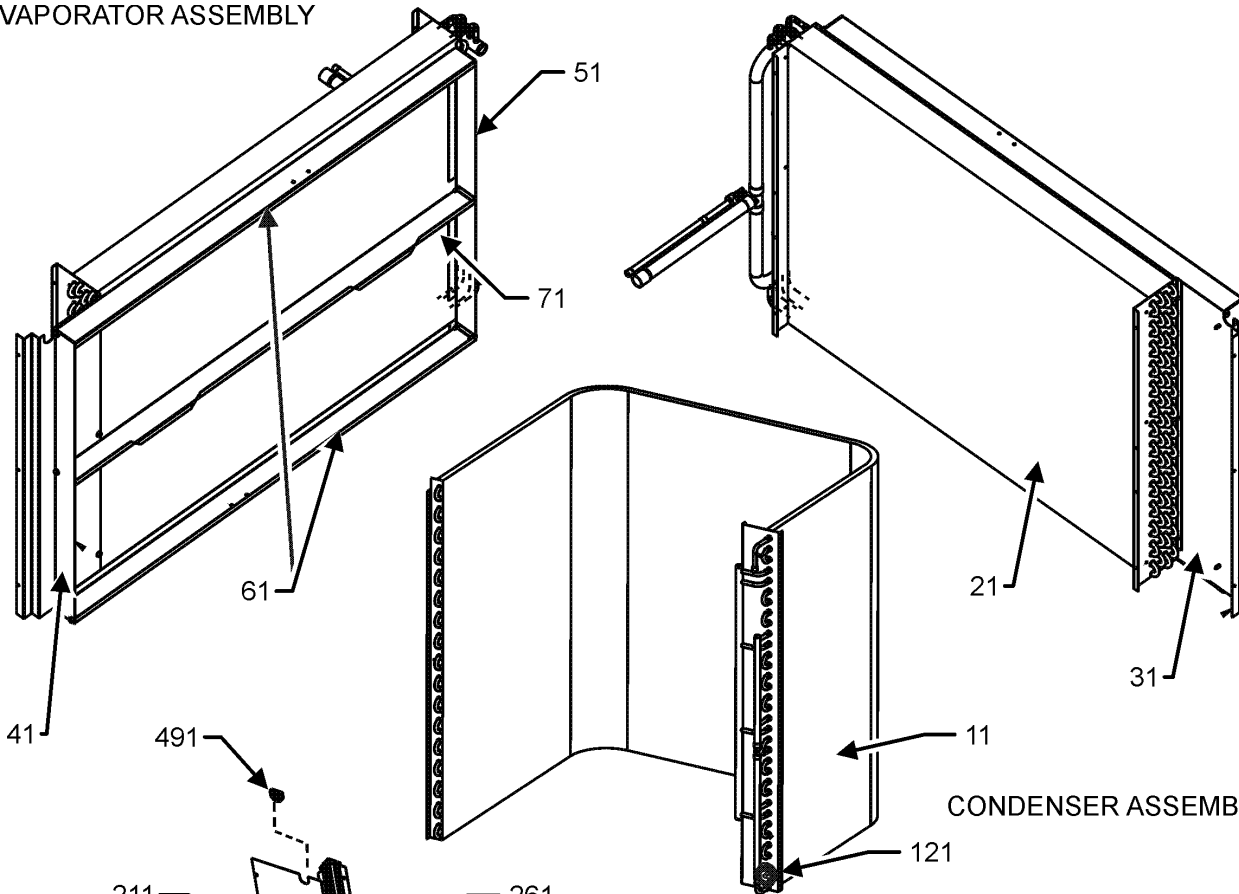
12	0121L00236NG	DUCT PANEL
22	0121L00023NG	RETURN DUCT COVER
32	0121L00024NG	SUPPLY DUCT COVER
42	0121L01176NG	ELECTRIC HEAT DOOR
52	0121L01157NG	BLOWER DOOR
62	0121G00301	RAIL CORNER BRACKET (QTY 4)
72	0121L01121NG	LOUVERED CONTROL PANEL
82	0121L00244RF	SIDE RAIL (QTY 2)
92	0121L00245	END RAIL (QTY 2)
NS	0141L00003X	FORK BOARD (QTY 2)
NS	0121L00055	FORK BOARD BRACKET (QTY 4)

Expanded Model Nomenclature

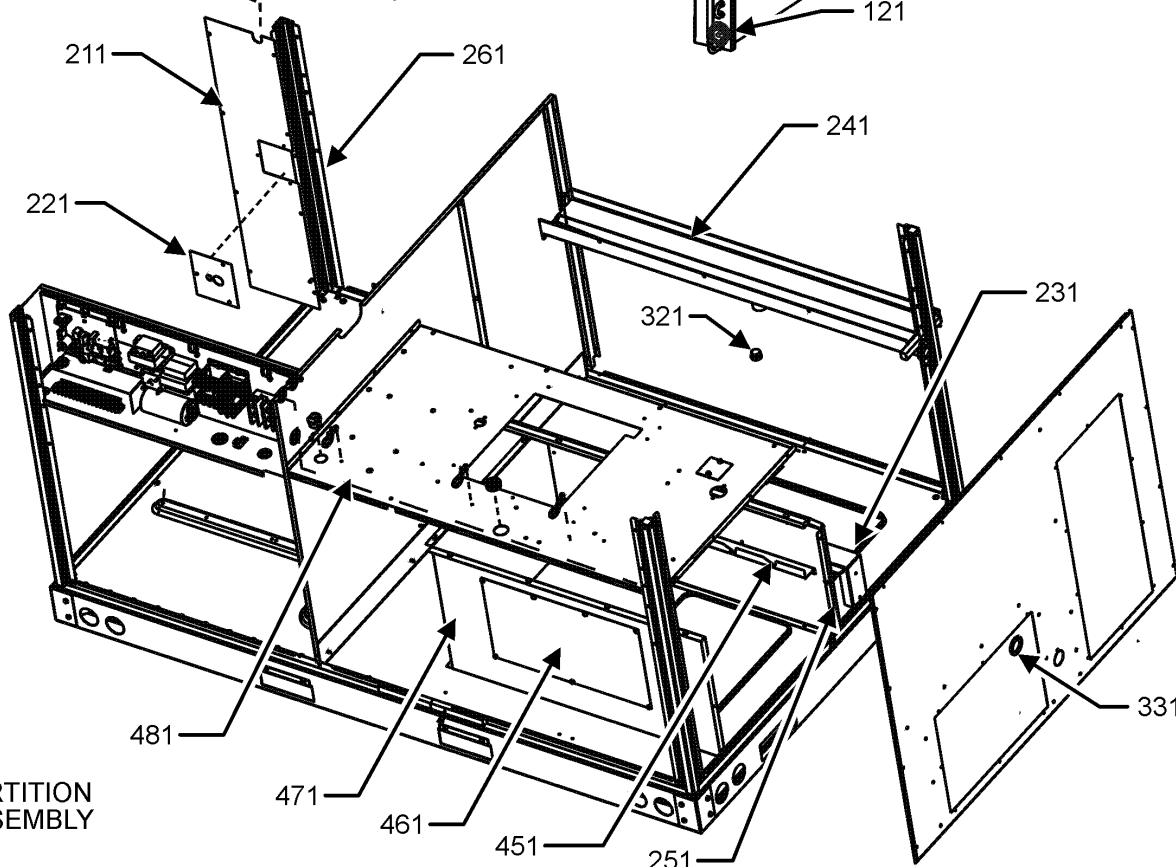
M1 - DSH048XXX1DXXXAA
M2 - DSH048XXX3DHXXXAA
M3 - DSH048XXX3DXXXAA

Condenser, Evaporator and Partition Assy

EVAPORATOR ASSEMBLY



CONDENSER ASSEMBLY



PARTITION ASSEMBLY

Condenser, Evaporator and Partition Assy

Ref. Part No:	No:	Description:	Ref. Part No:	No:	Description:
<i>Image 1:</i>					
11	0201L00290	CONDENSER COIL TUBING ASSY			
21	0202L00143	EVAP COIL TUBING ASSY			
31	0121L00252	BLOCKOFF-EVAPORATOR			
41	0121L00303	FILTER ANGLE-VERTICAL (HAIRPIN SIDE)			
51	0121L00287	FILTER ANGLE-VERTICAL (RETURN SIDE)			
61	0121L00932	FILTER ANGLE-HORIZONTAL (QTY 2)			
71	0121L01255	ANGLE-FILTER CENTER			
121	0130M00100	DEFROST CONTROL			
211	0121L00311	COND BLOCK-OFF			
221	0121L00939	CONDENSER BLOCKOFF PLATE			
231	0121L00238	DRAIN PAN SUPPORT			
241	0161L00005	DRAIN PAN			
251	0121L02123	DECK SIDE CHANNEL			
261	0121L00254	COND MOUNTING ANGLE			
321	0163L00071	DRAIN PLUG			
331	0154L00009	DRAIN PAN GASKET			
451	0121L00288	ELECTRIC HEAT RETAINER			
461	0121L00144	ELECTRIC HEAT COVER			
471	0121L00256	ELECTRIC HEAT PANEL			
481	0121L01575	BLOWER DECK			
491	A4568804	GROMMET-D			
NS	0160L00173	AIR FILTER 14 X 20 X 2 (QTY 4)			
NS	0121L00321	SMOKE DETECTOR COVER			

Expanded Model Nomenclature

M1 - DSH048XXX1DXXXAA

M2 - DSH048XXX3DHXXXAA

M3 - DSH048XXX3DXXXAA

Blower and Control Board Assembly

IMAGE 1

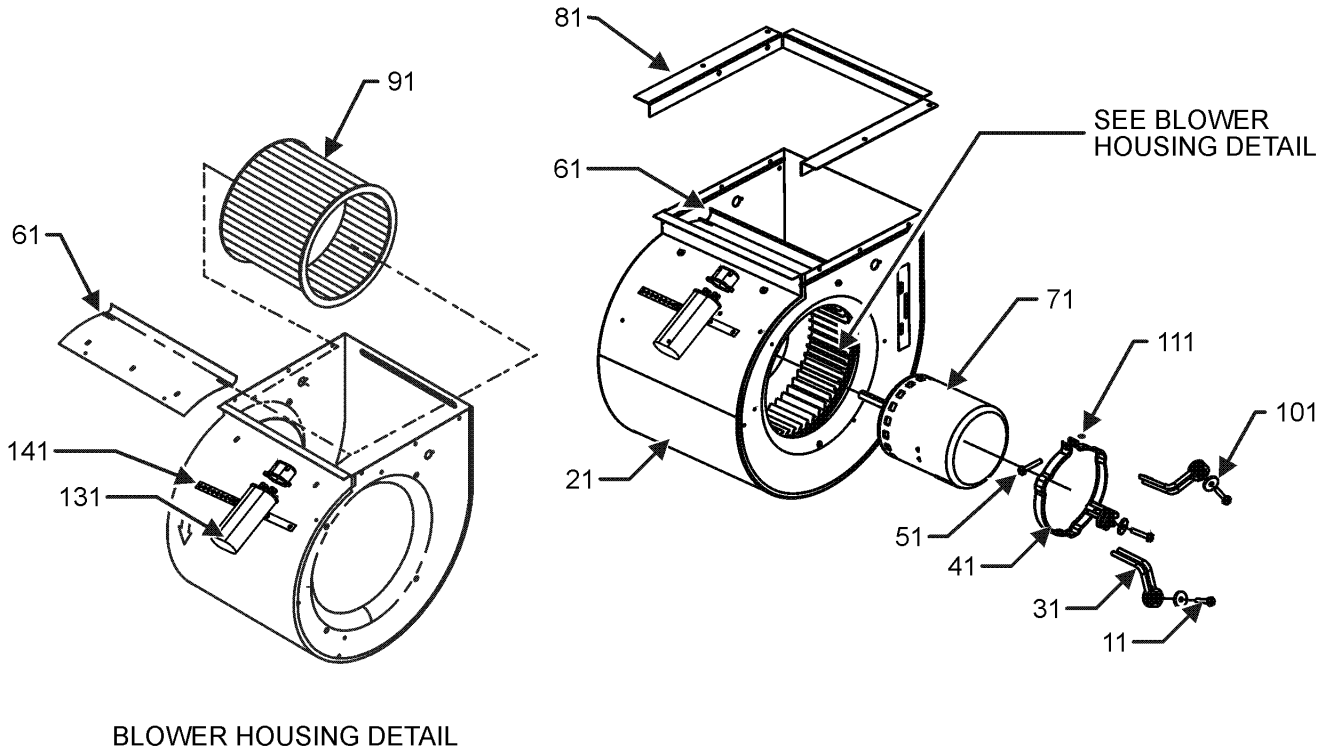
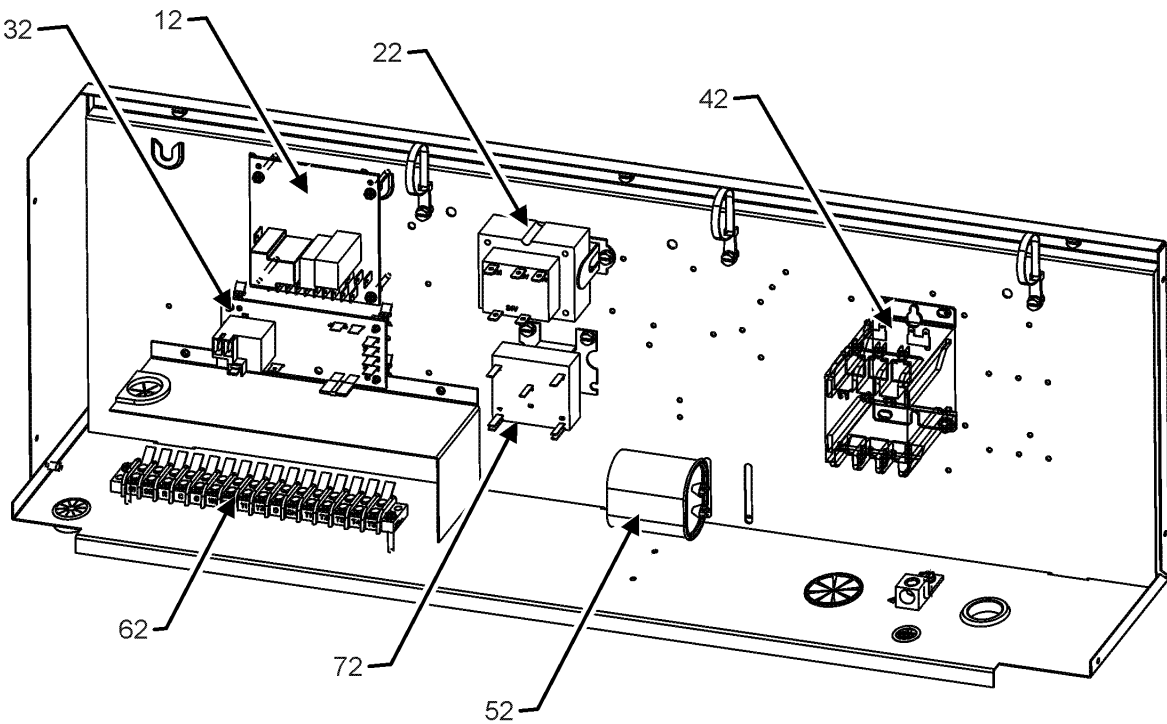


IMAGE 2



Blower and Control Board Assembly

Ref. Part No: No:	Description:	Ref. Part No: No:	Description:
-------------------	--------------	-------------------	--------------

Image 1:

11	M0250565	TC SCREW 1.25" (QTY 3)
21	11185817	BLOWER HOUSING
31	B1376853	MOTOR MOUNT ARM (QTY 3)
41	0121M00038	MOTOR MOUNT BAND
51	B1393323	MACHINE SCREW HWH 1/4-20 X 1-1/2 BZ
61	C6121806	BLOWER CUT-OFF
71	0131M00826	MOTOR, 3/4 HP PEP
81	0121L00308	BLOWER MOUNTING ANGLE
91	D6723303	BLOWER WHEEL
101	B1392918	WASHER, FLAT 1/4 ID X 1 OD (QTY 4)
111	B1393800	LOCKNUT, NYLON, INSERT 1/4, 20
131	CAP200000440CP	CAP, 20 MFD/440V/ RD
141	20520901	CAPACITOR STRAP

Image 2:

12	PCBDM133	DEFROST CONTROL BOARD
22	0130M00144	TRANSFORMER
32	PCBFM103	ELECTRONIC BLOWER TIME DELAY
42	CONT3P025024V	CONTACTOR 25 AMP, 3P, 24V (M2, M3)
42	CONT1P030024V	CONTACTOR 30 AMP, 1P, 24V (M1)
52	CAP100450440CS	CAP, 10/45 MFD/ 440V DUAL RD (M1)
52	CAP100000370LA	CAPACITOR 10/370V (M2, M3)
62	0130M00038	TERMINAL BOARD
72	0130M00025	24V RELAY
NS	20520901	CAPACITOR STRAP
NS	0259L00178	HARNESS, ECONOMIZER
NS	0259L00120	WIRE HARNESS, CONTROL
NS	0259L00082	WIRE HARNESS, DEFROST
NS	0259L00079	WIRE HARNESS, EVAP MOTOR
NS	0259L00061	WIRING HARNESS
NS	0259L00070	WIRING HARNESS

Expanded Model Nomenclature

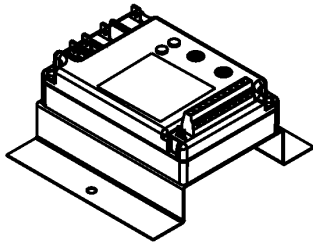
M1 - DSH048XXX1DXXXAA
M2 - DSH048XXX3DHXXXAA
M3 - DSH048XXX3DXXXAA

Accessory Parts List

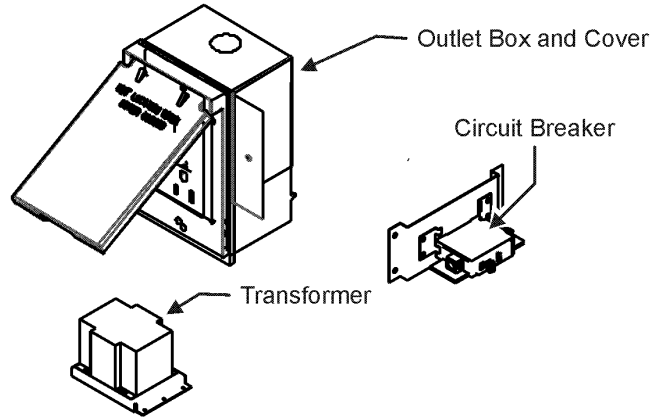
ACCESSORY PARTS LIST

NOTE: NOT ALL OPTIONS AVAILABLE FOR ALL PRODUCTS

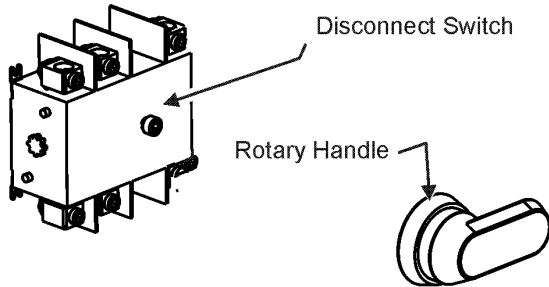
1 LOW AMBIENT KITS



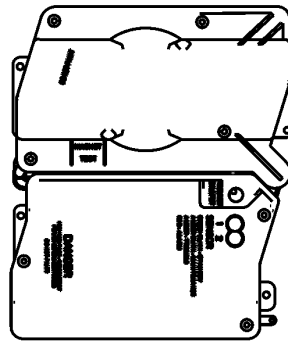
2 GFCI CONVENIENCE OUTLET



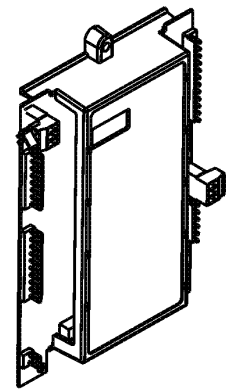
3 DISCONNECT MODULE (NON-FUSED)



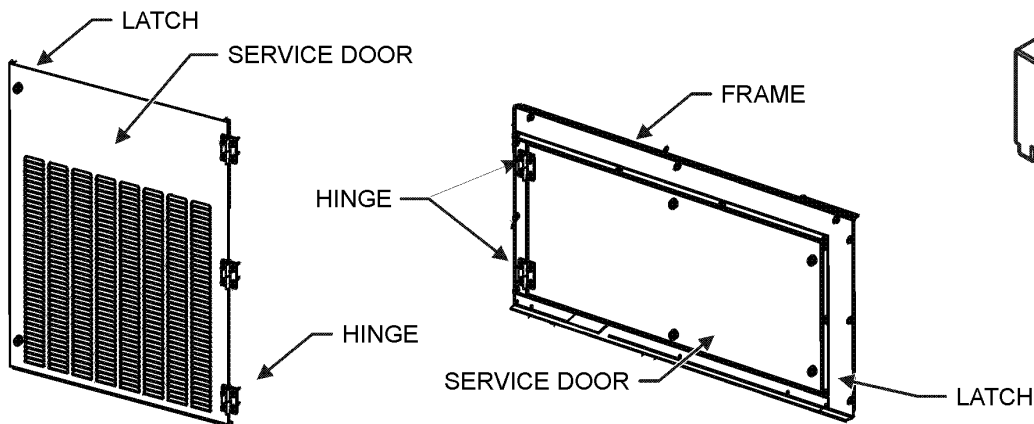
4 SMOKE DETECTORS



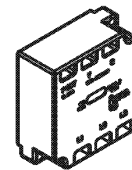
5 DDC CONTROL



6 HINGED DOOR ASSEMBLIES



7 PHASE MONITOR



Accessory Parts List

Ref. Part No: No:	Description:	Ref. Part No: No:	Description:
<i>Image 1:</i>			
NS 0121L00835	BRACKET-DISCONNECT SWITCH (M2)		
NS 0121L00837NG	DISCONNECT COVER (M2)		
NS 0130L00039	HANDLE, ROTARY (M2)		
NS 0130L00049	SHAFT, DISCONNECT (M2)		
NS 0130L00027	SWITCH-DISCONNECT 100A (M2)		

Expanded Model Nomenclature

- M1 - DSH048XXX1DXXXAA
- M2 - DSH048XXX3DHXXXAA
- M3 - DSH048XXX3DXXXAA