

## Commercial 3 Ton High Static Package Heat Pump

DSH0360103HWXXAA  
DSH0360104HJXFAA  
DSH036XXX3HXXXAA  
DSH036XXX4HXXXAA



This manual is to be used by qualified technicians only.

This manual replaces RP-D1219A.

# Important Information

---

## Index

Functional Parts List .....	3
Illustration and Parts .....	4 - 15

*Views shown are for parts illustrations only, not servicing procedures*

### Text Codes:

AR - As Required

NA - Not Available

NS - Not Shown

00000000 - See Note

QTY - Quantity Example (QTY 3) (If Quantity not shown, Quantity = 1)

M - Model Example (M1) (If M Code not shown, then part is used on all Models)

### Expanded Model Nomenclature:

Example M1 - Model#1 M2 - Model#2 M3 - Model#3
---

Daikin Company, L.P. is not responsible for personal injury or property damage resulting from improper service. Review all service information before beginning repairs.

Warranty service must be performed by an authorized technician, using authorized factory parts. If service is required after the warranty expires, Daikin Company, L.P. also recommends contacting an authorized technician and using authorized factory parts.

Daikin Company, L.P. reserves the right to discontinue, or change at any time, specifications or designs without notice or without incurring obligations.

For assistance within the U.S.A. contact:

Equipment Support  
Daikin North America, LLC  
19001 Kermier Road  
Waller, Texas 77484  
855-770-5678-Telephone  
713-863-2382-Facsimile

For assistance outside the U.S.A. contact:

International Division  
Daikin North America, LLC  
19001 Kermier Road  
Waller, Texas 77484  
713-861-2500-Telephone  
713-863-2382-Facsimile

# Functional Parts

## Part

**No:**            **Description:**

---

0130M00025	24V RELAY (M2, M4)
B1368056	BELT DRIVE BLOWER WHEEL
0131L00003	BELT DRIVE MOTOR 1 HP
CAP100000440LA	CAP 10 MFD/440V/OVAL (M1, M3)
CAP050000440LA	CAPACITOR 5/440V (M2, M4)
ZP31K5ETF5130	COMP, 31200,200/230/60/3 (M1, M3)
ZP31K5ETFD130	COMP,31200,460/60/3 (M2, M4)
CONT3P025024V	CONT, 3 POLE, 25 AMP, 24 VAC (M2, M4)
CONT3P030024V	CONT, 3 POLE, 30 AMP, 24 VAC (M1, M3)
0130M00100	CONTROL,DEFROST
0230L00002	CRANKCASE HEATER SWITCH (M2, M4)
0130M00074	CUT-OUT SWITCH, HIGH PRESSURE
0130M00075	CUT-OUT SWITCH, LOW PRESSURE
PCBDM133	DEFROST CONTROL BOARD
PCBFM103	ELECTRONIC BLOWER TIME DELAY
0150G00004	FAN BLADE
0164L00002	NOTCHED FAN BELT
0151R00071	REVERSING VALVE
B1225022	SOLENOID
0130M00038	TERMINAL BOARD
0130M00594	TRANSFORMER (M1, M3)
0130M00595	TRANSFORMER, 75VA, 480V TO 24V (M2, M4)

### Expanded Model Nomenclature

M1 - DSH036XXX3HXXXAA
M2 - DSH036XXX4HXXXAA
M3 - DSH0360103HWXXAA
M4 - DSH0360104HJXFAA

# Top Panel and Tubing Assembly

IMAGE 1

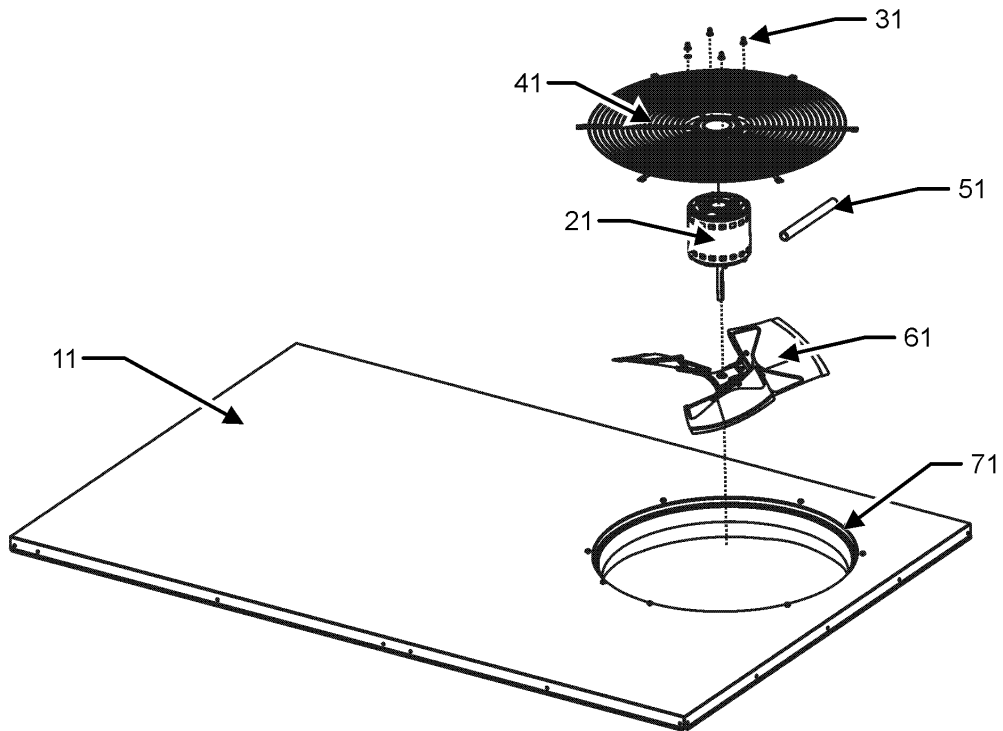
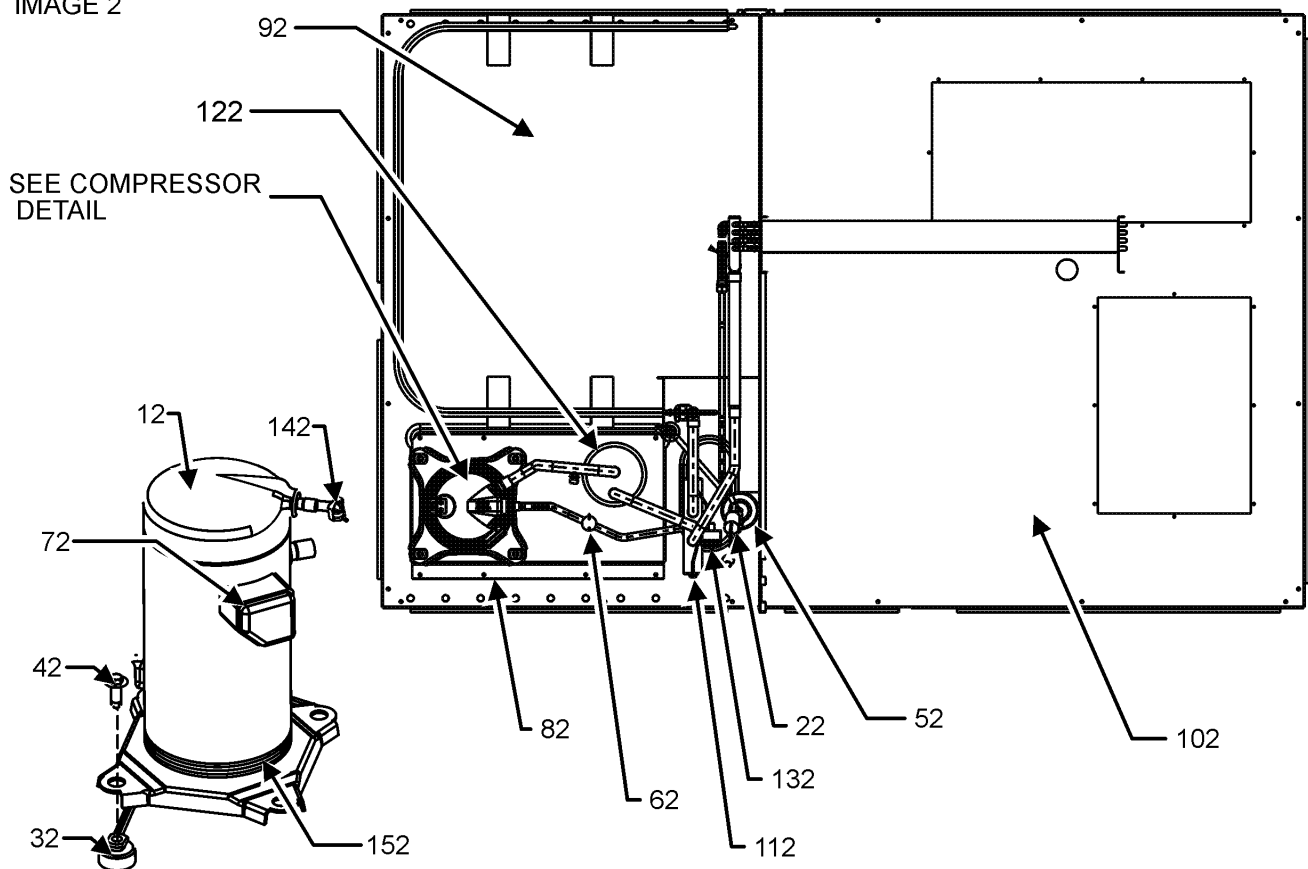


IMAGE 2



COMPRESSOR DETAIL

# Top Panel and Tubing Assembly

Ref. Part No: No:	Description:	Ref. Part No: No:	Description:
-------------------	--------------	-------------------	--------------

**Image 1:**

11	0121L00235NG	TOP PANEL
21	0131M00837	MOTOR, 1/4 HP, OD (M1, M3)
21	0131M00838	MOTOR, 1/4 HP, OD (M2)
21	0131L00062	MOTOR, COND, 1/4 HP, 460V (M4)
31	0163M00006P	ACORN NUT 5/16 HEX BLACK (QTY 4)
41	0152G00000	FAN GRILLE, RAISED
51	0161R00003P	CONDUIT
61	0150G00004	FAN BLADE
71	0161L00000	VENTURI RING 22"
NS	0163M00004	SCREW #10X3/4", BLACK (QTY 8)
NS	0163M00005P	WASHER, BLACK (.50 OD .218ID) (QTY 4)

**Image 2:**

12	ZP31K5ETF5130	COMP, 31200,200/230/60/3 (M1, M3)
12	ZP31K5ETFD130	COMP,31200,460/60/3 (M2, M4)
22	0130M00075	CUT-OUT SWITCH, LOW PRESSURE
32	B1339533	COMPRESSOR GROMMET (QTY 4)
42	M0221641	TF SHOULDER SCREW (QTY 4)
52	B1219204	BI-FLOW FILTER DRIER
62	0130M00074	CUT-OUT SWITCH, HIGH PRESSURE
72	0159L00065	COMPRESSOR SCROLL HARNESS
82	0121L01308	MOUNTING PLATE-COMPRESSOR
92	0121L01990	BASE PAN-OUTDOOR
102	0121L02619	BASE PAN-INDOOR
112	0151R00071	REVERSING VALVE
122	B1226207	ACCUMULATOR
132	B1225022	SOLENOID
142	0230L00002	CRANKCASE HEATER SWITCH (M2, M4)
152	0163R00031	HEATER CRANKCASE 460V, 40W (M2, M4)
152	0163R00002	HEATER, CRANKCASE 230V, 40W (M1, M3)
NS	B1373315	ACCESS FITTING (QTY 2)
NS	0141L00003X	FORK BOARD (QTY 2)
NS	0121L00055	FORK BOARD BRACKET (QTY 4)

**Expanded Model Nomenclature**

- |                       |
|-----------------------|
| M1 - DSH036XXX3HXXXAA |
| M2 - DSH036XXX4HXXXAA |
| M3 - DSH0360103HWXXAA |
| M4 - DSH0360104HJXFAA |

# Cabinet Assembly

IMAGE 1

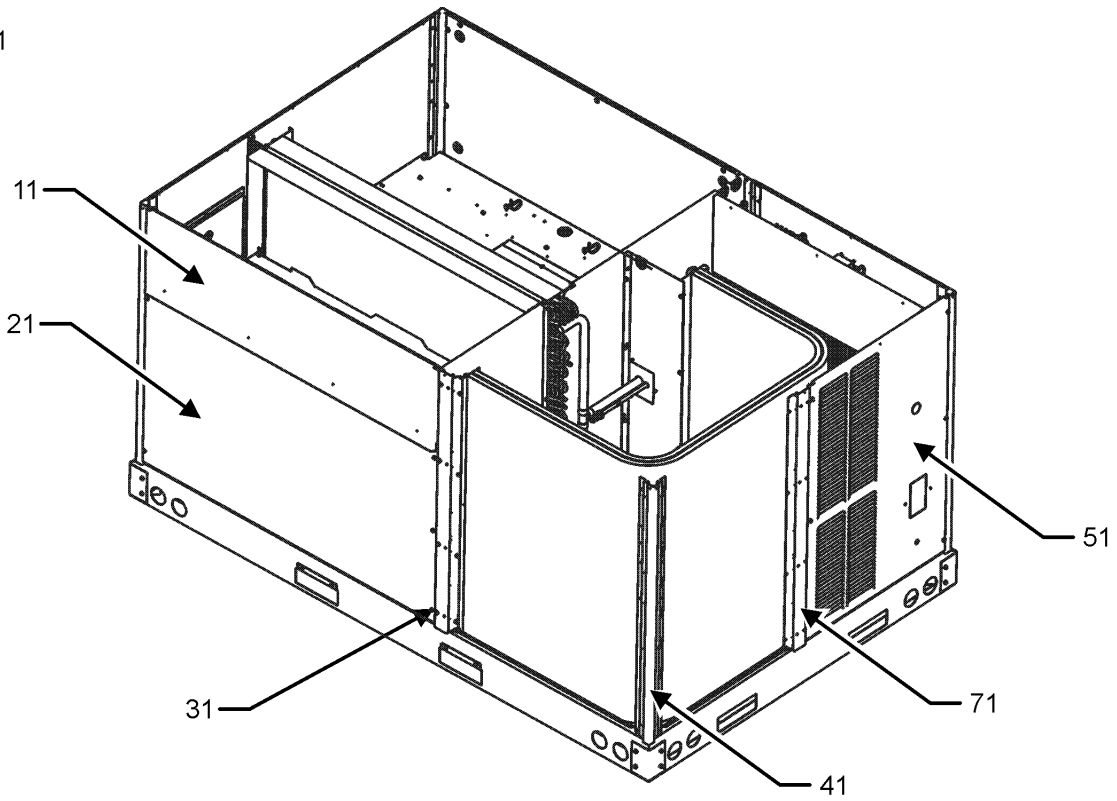
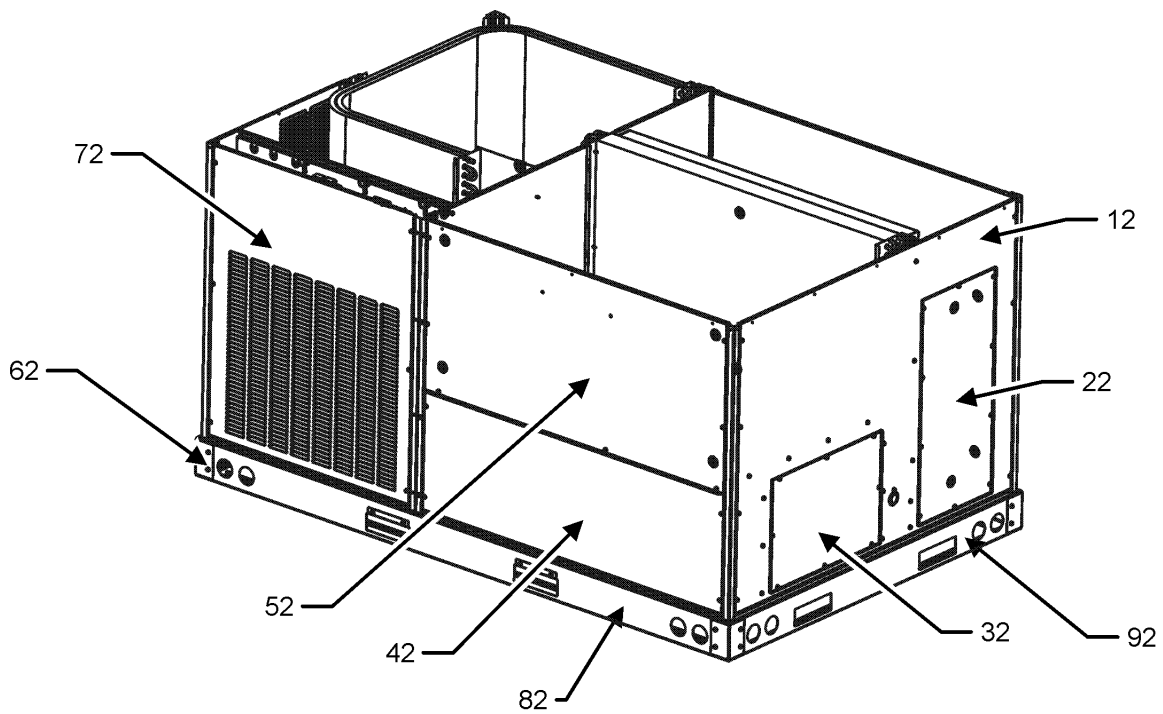


IMAGE 2



# Cabinet Assembly

Ref. Part No:	Part No:	Description:	Ref. Part No:	Part No:	Description:
---------------	----------	--------------	---------------	----------	--------------

**Image 1:**

11	0270L00362NG	FILTER DOOR			
21	0121L01309	ECONOMIZER COVER (M4)			
21	0121L00976NG	ECONOMIZER DOOR (M1, M2, M3)			
31	0121L00233RFNG	POST-SIDE SUPPORT (QTY 2)			
41	0121L00237RFNG	CORNER POST (QTY 4)			
51	0121L00263NG	LOUVERED COMPRESSOR PANEL (M1, M2)			
51	0121L00836NG	PNT, COMP LOUVER DISC PNL (M3, M4)			
71	0121L01159RFNG	POST-SIDE SUPPORT			
NS	0164L00009	GASKET-RUBBER, CPOST (QTY 3)			
NS	0164L00011	GASKET-RUBBER, SIDE POST (QTY 2)			

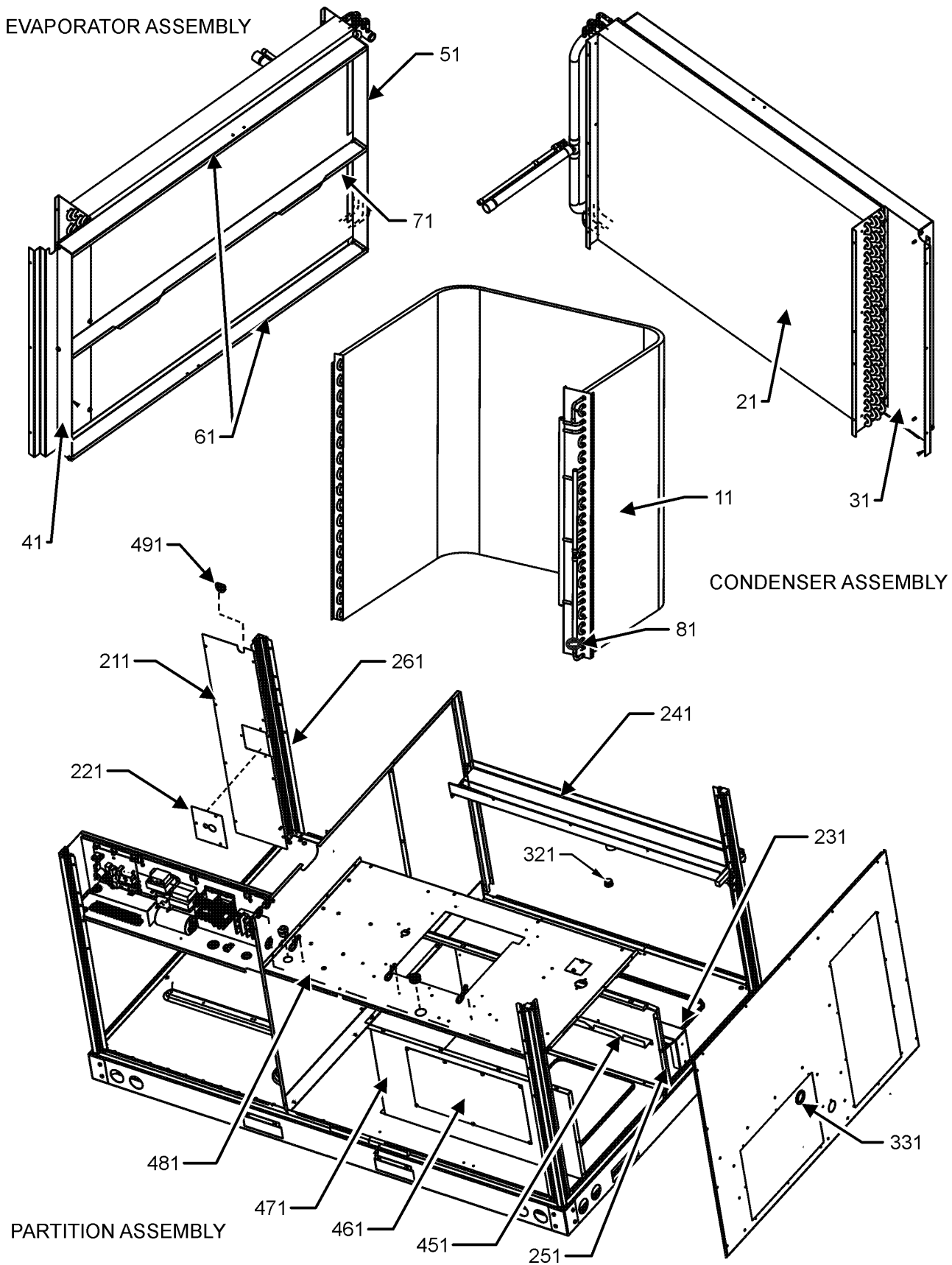
**Image 2:**

12	0121L00236NG	DUCT PANEL			
22	0121L00023NG	RETURN DUCT COVER			
32	0121L00024NG	SUPPLY DUCT COVER			
42	0121L01176NG	ELECTRIC HEAT DOOR			
52	0121L01157NG	BLOWER DOOR			
62	0121G00301	RAIL CORNER BRACKET (QTY 4)			
72	0121L01121NG	LOUVERED CONTROL PANEL			
82	0121L00244RF	SIDE RAIL (QTY 2)			
92	0121L00245	END RAIL			

**Expanded Model Nomenclature**

M1 - DSH036XXX3HXXXAA
M2 - DSH036XXX4HXXXAA
M3 - DSH0360103HWXXAA
M4 - DSH0360104HJXFAA

# Partition, Condenser and Evaporator Assy



# Partition, Condenser and Evaporator Assy

Ref. Part No: No:	Description:	Ref. Part No: No:	Description:
-------------------	--------------	-------------------	--------------

**Image 1:**

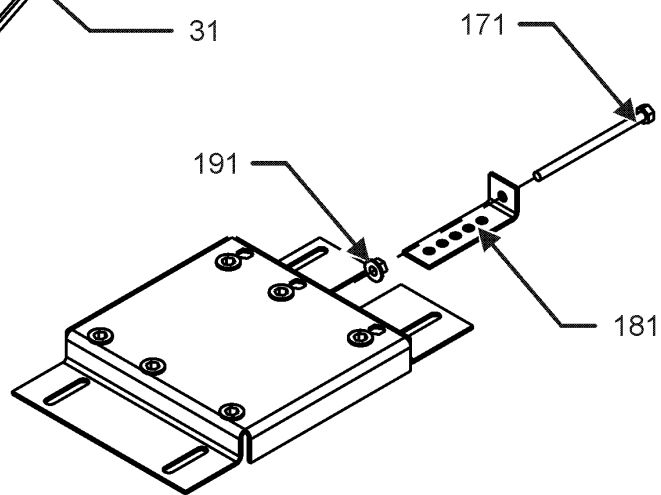
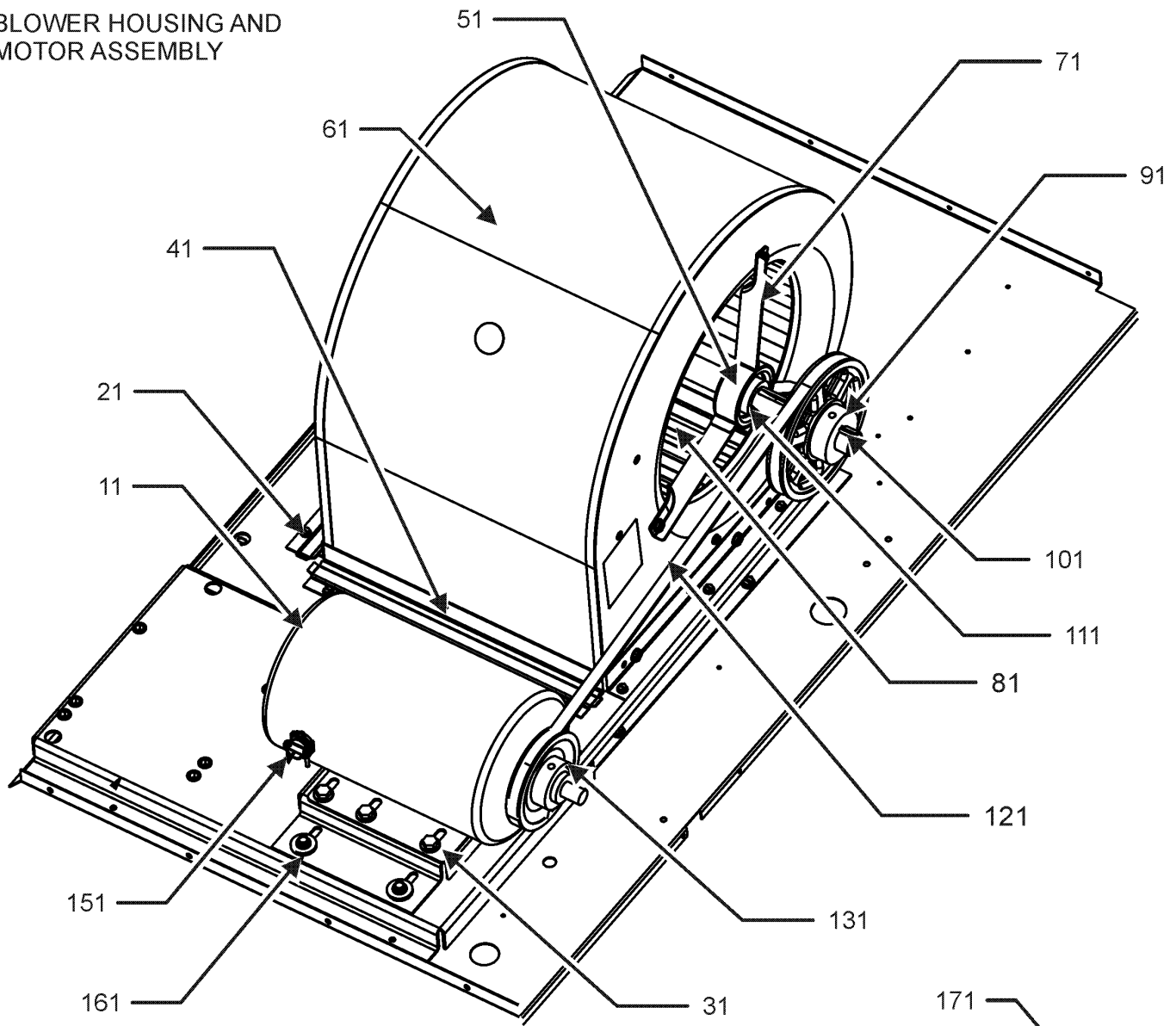
11	0201L00287	COND COIL TUBING ASSY
21	0202L00155	EVAP COIL TUBING ASSY
31	0121L00313	BLOCKOFF-EVAPORATOR
41	0121L00303	FILTER ANGLE-VERTICAL (HAIRPIN SIDE)
51	0121L00287	FILTER ANGLE-VERTICAL (RETURN SIDE)
61	0121L00932	FILTER ANGLE-HORIZONTAL (QTY 2)
71	0121L01255	ANGLE-FILTER CENTER
81	0130M00100	CONTROL,DEFROST
211	0121L00311	COND BLOCK-OFF
221	0121L00939	CONDENSER BLOCKOFF PLATE
231	0121L00238	DRAIN PAN SUPPORT
241	0161L00005	DRAIN PAN
251	0121L02123	DECK SIDE CHANNEL
261	0121L00254	COND MOUNTING ANGLE
321	0163L00071	DRAIN PLUG
331	0154L00009	DRAIN PAN GASKET
451	0121L00288	ELECTRIC HEAT RETAINER
461	0121L00144	ELECTRIC HEAT COVER
471	0121L00256	ELECTRIC HEAT PANEL
481	0121L03396	DECK-BLOWER
491	A4568804	GROMMET-D (QTY 4)
NS	0160L00173	AIR FILTER 14 X 20 X 2 (QTY 4)
NS	0121L00321	SMOKE DETECTOR COVER

**Expanded Model Nomenclature**

M1 - DSH036XXX3HXXXAA
M2 - DSH036XXX4HXXXAA
M3 - DSH0360103HWXXAA
M4 - DSH0360104HJXFAA

# Belt Drive Blower Assembly

BLOWER HOUSING AND  
MOTOR ASSEMBLY



MOUNTING PLATE ASSEMBLY

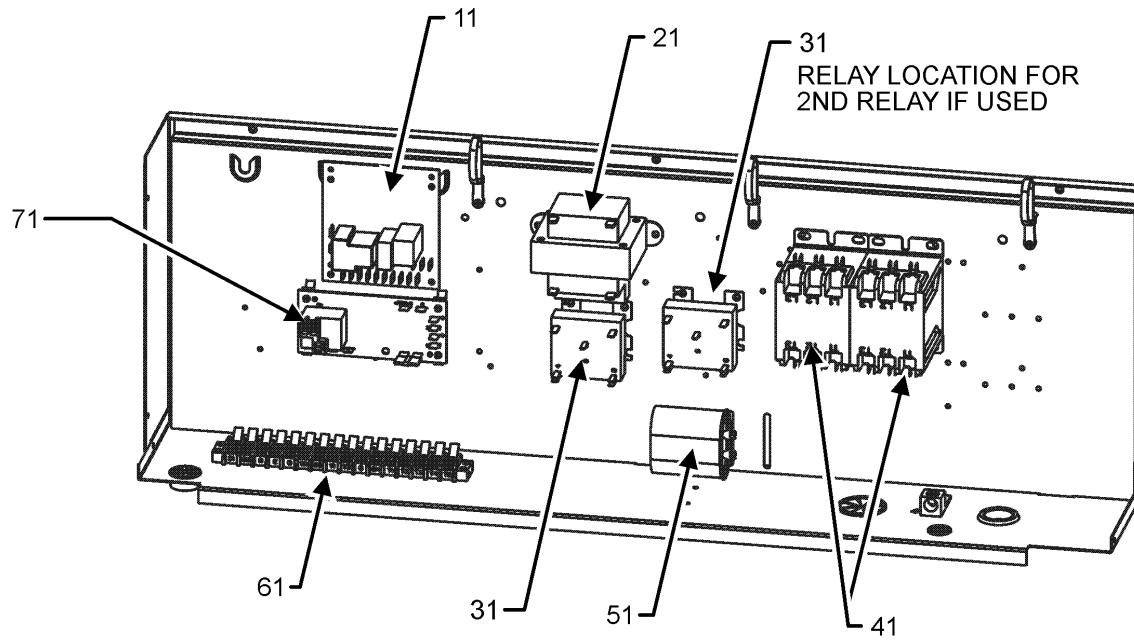
# Belt Drive Blower Assembly

Ref. Part No:	No:	Description:	Ref. Part No:	No:	Description:
<b>Image 1:</b>					
11	0131L00003	BELT DRIVE MOTOR 1 HP			
21	0121L00297	BLOWER SIDE ANGLE (QTY 3)			
31	0121L01619	MOTOR BASE			
41	0121L00281	BLOWER MOUNTING ANGLE			
51	0163L00005	BELT DRIVE BLOWER SHAFT			
61	2539302F	BLOWER HOUSING 11 X 10			
71	B3201300	MOUNTING BRACKET BEARING (QTY 2)			
81	B1368056	BELT DRIVE BLOWER WHEEL			
91	0163L00135	SHEAVE, FIXED AK66H			
101	0163M00407	MACHINE KEY, SPECIAL			
111	0163L00247	BEARING, BALL, MOUNTED (QTY 2)			
121	0164L00002	NOTCHED FAN BELT			
131	0163L00061	SHEAVE, ADJUSTABLE			
151	B1393726	ELECT. CONNECTING BUSHING			
161	B1393738	BOLT 1/4-20 X 3/4" (QTY 8)			
171	0163M00045	BOLT 1/4-20 X 4"			
181	3225000F	BELT TIGHTENER ANGLE			
191	B1393023	NUT / LOCK .25-20			
NS	1864703	BLOWER CUT-OFF ASM,5TON,MORRIS			
NS	B1398603	STEEL KEY (000158812) 4.5"			

## Expanded Model Nomenclature

M1 - DSH036XXX3HXXXAA
M2 - DSH036XXX4HXXXAA
M3 - DSH0360103HWXXAA
M4 - DSH0360104HJXFAA

# Control Box Assembly



# Control Box Assembly

Ref. Part No:	Part No:	Description:	Ref. Part No:	Part No:	Description:
---------------	----------	--------------	---------------	----------	--------------

**Image 1:**

11	PCBDM133	DEFROST CONTROL BOARD
21	0130M00594	TRANSFORMER (M1, M3)
21	0130M00595	TRANSFORMER, 75VA, 480V TO 24V (M2, M4)
31	0130M00025	24V RELAY (M2, M4)
41	CONT3P025024V	CONT, 3 POLE, 25 AMP, 24 VAC (M2, M4)
41	CONT3P030024V	CONT, 3 POLE, 30 AMP, 24 VAC (M1, M3)
51	CAP100000440LA	CAP 10 MFD/440V/OVAL (M1, M3)
51	CAP050000440LA	CAPACITOR 5/440V (M2, M4)
61	0130M00038	TERMINAL BOARD
71	PCBFM103	ELECTRONIC BLOWER TIME DELAY
NS	20520901	CAPACITOR STRAP
NS	0259L00178	HARNESS, ECONOMIZER
NS	0259L00077	HARNESS-DEFROST (M1, M3)
NS	0259L00078	HARNESS-DEFROST (M2, M4)
NS	0259L00122	WIRE HARNESS, CONTROL
NS	0259L00061	WIRING HARNESS
NS	0259L00065	WIRING HARNESS
NS	0259L00070	WIRING HARNESS

**Expanded Model Nomenclature**

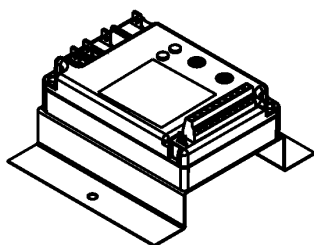
- |                       |
|-----------------------|
| M1 - DSH036XXX3HXXXAA |
| M2 - DSH036XXX4HXXXAA |
| M3 - DSH0360103HWXXAA |
| M4 - DSH0360104HJXFAA |

# Accessory Parts List

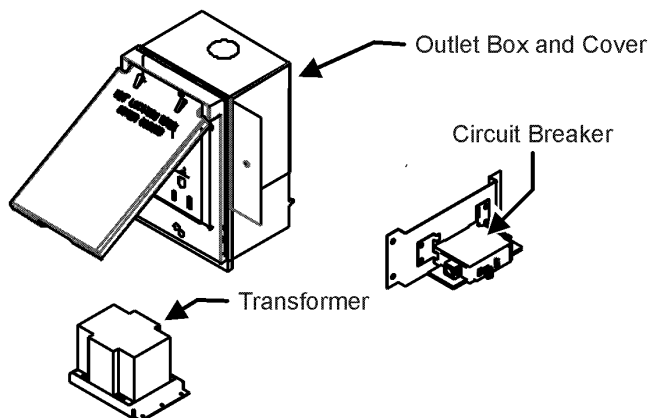
## ACCESSORY PARTS LIST

NOTE: NOT ALL OPTIONS AVAILABLE FOR ALL PRODUCTS

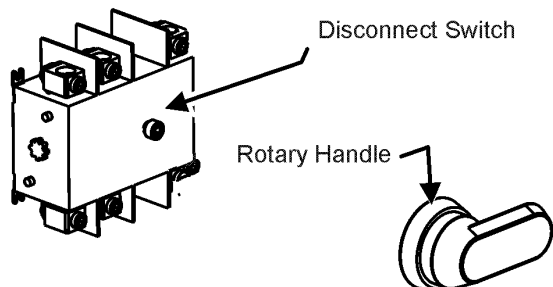
### 1 LOW AMBIENT KITS



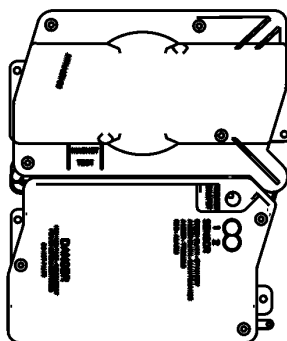
### 2 GFCI CONVENIENCE OUTLET



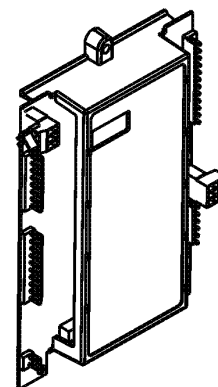
### 3 DISCONNECT MODULE (NON-FUSED)



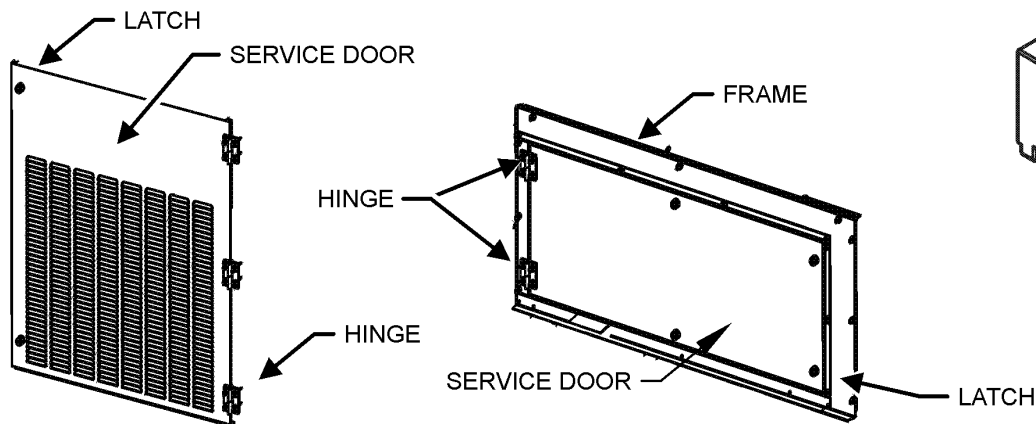
### 4 SMOKE DETECTORS



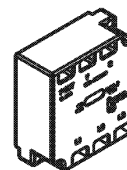
### 5 DDC CONTROL



### 6 HINGED DOOR ASSEMBLIES



### 7 PHASE MONITOR



# Accessory Parts List

Ref. Part No:	Part No:	Description:	Ref. Part No:	Part No:	Description:
---------------	----------	--------------	---------------	----------	--------------

**Image 1:**

NS	EHK3-10	10 KW 203-230/3 ELECTRIC EHAT (M3)
NS	EHK4-10	10 KW 460/3 ELECTRIC HEAT (M4)
NS	1036609C	3-6 TON DFLOW ECONOMIZER (M4)
NS	DDNECNJ3672C	3-6 TON DFLOW ECONOMIZER (M3)
NS	0121L00316	BRACKET-CONV OUTLET MOUNT (M4)
NS	0121L00835	BRACKET-DISCONNECT SWITCH (M3, M4)
NS	0121L00837NG	DISCONNECT COVER (M3, M4)
NS	0130L00012	GANG BOX-GFCI OUTLET (M4)
NS	0130L00039	HANDLE, ROTARY (M3, M4)
NS	0130M00058	LOW AMBIENT KIT (M4)
NS	0161G00012	POWER OUTLET BOX (M4)
NS	0130L00103	RECEPTACLE-GFCI OUTLET (M4)
NS	0130L00042	SHAFT, CUT (M3, M4)
NS	0130L00049	SHAFT, DISCONNECT (M3, M4)
NS	0130L00046	SWITCH-DISCONNECT 60A (M3, M4)

**Expanded Model Nomenclature**

M1 - DSH036XXX3HXXXAA
M2 - DSH036XXX4HXXXAA
M3 - DSH0360103HWXXAA
M4 - DSH0360104HJXFAA