

## Commercial 3 Ton Direct Drive Package Heat Pump

DSH0360101DXXJAA  
DSH0360153DHBAA  
DSH036XXX1DXXXAA  
DSH036XXX3DXXXAA



This manual is to be used by qualified technicians only.

This manual replaces RP-D1125B.

# Important Information

---

## Index

Functional Parts List .....	3
Illustration and Parts .....	4 - 13

*Views shown are for parts illustrations only, not servicing procedures*

### Text Codes:

AR - As Required

NA - Not Available

NS - Not Shown

00000000 - See Note

QTY - Quantity Example (QTY 3) (If Quantity not shown, Quantity = 1)

M - Model Example (M1) (If M Code not shown, then part is used on all Models)

### Expanded Model Nomenclature:

Example M1 - Model#1 M2 - Model#2 M3 - Model#3
---

Daikin Company, L.P. is not responsible for personal injury or property damage resulting from improper service. Review all service information before beginning repairs.

Warranty service must be performed by an authorized technician, using authorized factory parts. If service is required after the warranty expires, Daikin Company, L.P. also recommends contacting an authorized technician and using authorized factory parts.

Daikin Company, L.P. reserves the right to discontinue, or change at any time, specifications or designs without notice or without incurring obligations.

For assistance within the U.S.A. contact:

Equipment Support  
Daikin North America, LLC  
19001 Kermier Road  
Waller, Texas 77484  
855-770-5678-Telephone  
713-863-2382-Facsimile

For assistance outside the U.S.A. contact:

International Division  
Daikin North America, LLC  
19001 Kermier Road  
Waller, Texas 77484  
713-861-2500-Telephone  
713-863-2382-Facsimile

# Functional Parts

## Part

No: Description:

---

0131M00126	BLOWER MOTOR
D6723303	BLOWER WHEEL
CAP100000370LA	CAP, 10 MFD/370V/OVAL
CAP100450440CS	CAP, 10/45 MFD/ 440V DUAL RD (M1, M3)
CAP100000370LA	CAPACITOR 10/370V (M2, M4)
ZP31K5EPFV130	COMPRESSOR 31100, 208/230/60/1 (M1, M3)
ZP31K5ETF5130	COMPRESSOR 31200, 200/230/60/3 (M2, M4)
CONT3P025024V	CONTACTOR 25 AMP, 3P, 24V (M2, M4)
CONT1P030024V	CONTACTOR 30 AMP, 1P, 24V (M1, M3)
0130M00074	CUT-OUT SWITCH, HIGH PRESSURE
0130M00075	CUT-OUT SWITCH, LOW PRESSURE
0130M00100	DEFROST CONTROL
PCBDM133	DEFROST CONTROL BOARD
0130M00106	DISC THERMOSTAT CRNKCS HTR SW
0150G00004	FAN BLADE
0163R00002	HEATER, CRANKCASE 230V, 40W
0131M00837	MOTOR, 1/4 HP, OD
PCBFM103	PCB, TIME DELAY, EBTDR
0130M00025	RELAY, SPDT
0151R00071	REVERSING VALVE
B1225022	SOLENOID COIL
0130M00038	TERMINAL BOARD
0130M00594	TRANSFORMER

### Expanded Model Nomenclature

M1 - DSH036XXX1DXXXAA
M2 - DSH036XXX3DXXXAA
M3 - DSH0360101DXXJAA
M4 - DSH0360153DHXBAA

# Top Panel and Tubing Assembly

IMAGE 1

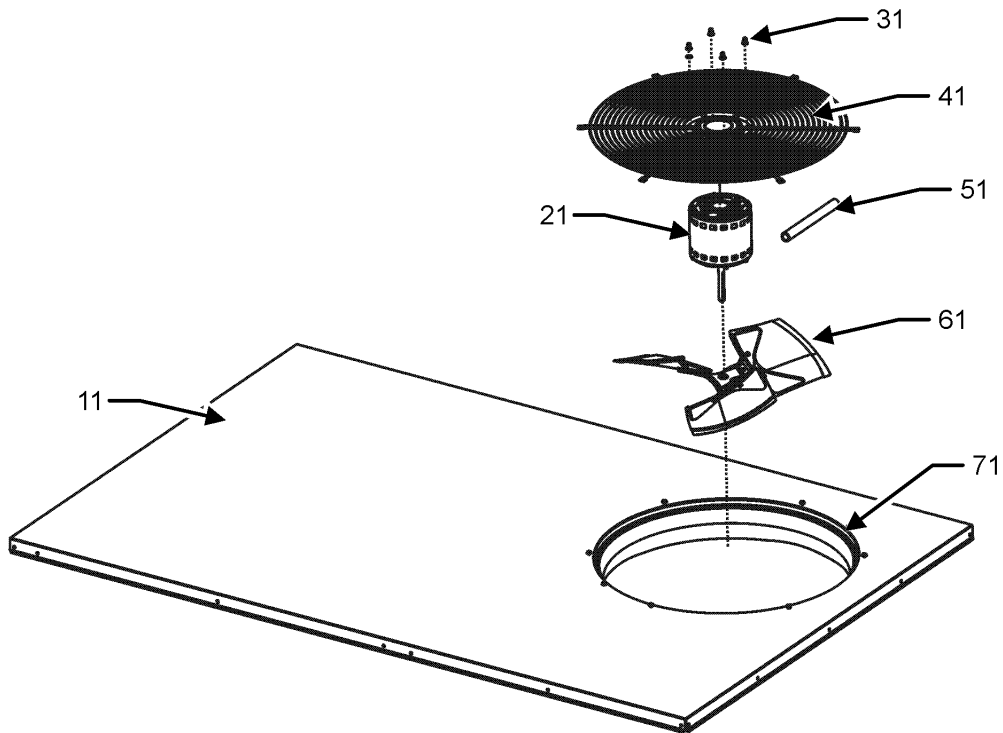
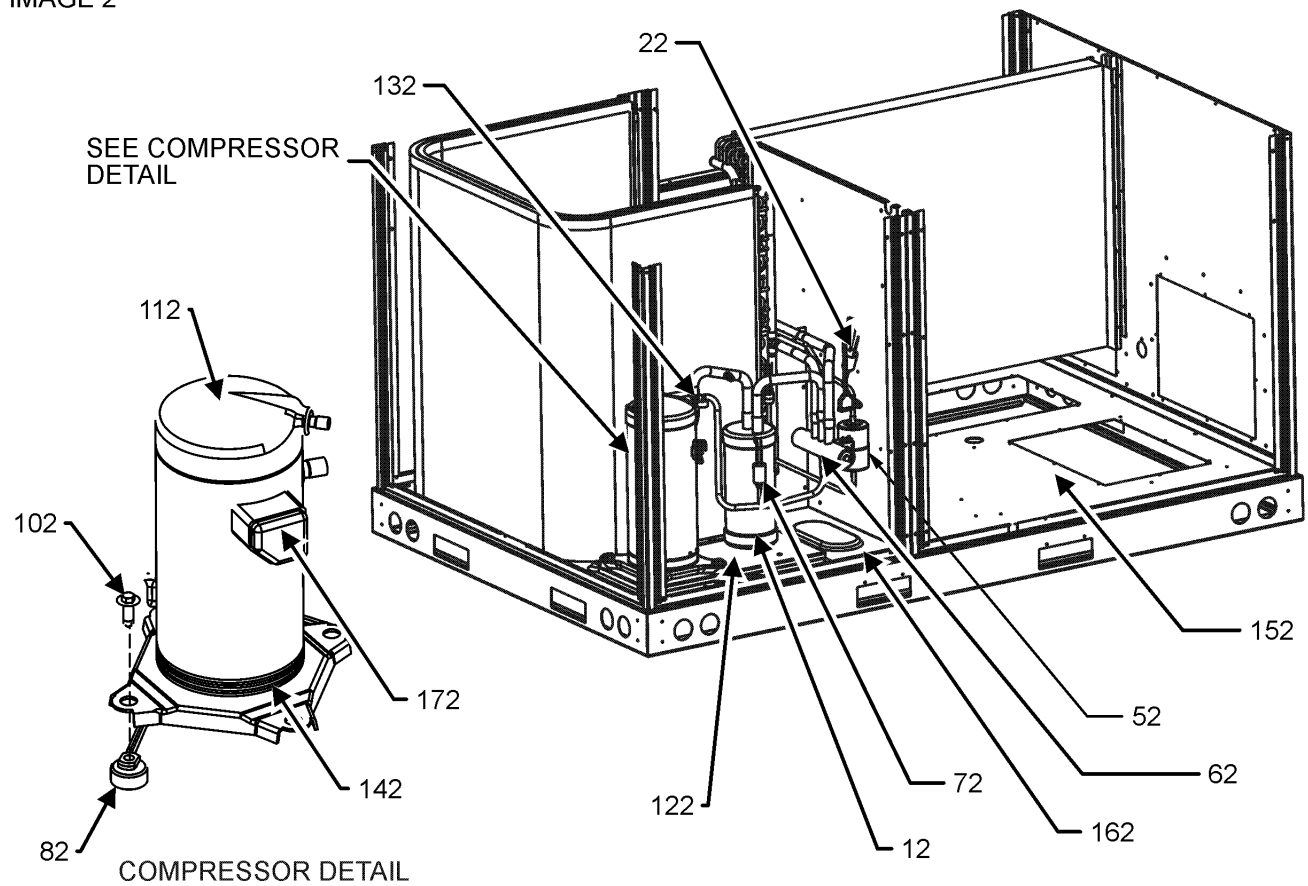


IMAGE 2



# Top Panel and Tubing Assembly

Ref. Part No:	Part No:	Description:	Ref. Part No:	Part No:	Description:
---------------	----------	--------------	---------------	----------	--------------

**Image 1:**

11	0121L00235NG	TOP PANEL
21	0131M00837	MOTOR, 1/4 HP, OD
31	0163M00006P	ACORN NUT 5/16 HEX BLACK (QTY 4)
41	0152G00000	FAN GRILLE, RAISED
51	0161R00003P	CONDUIT
61	0150G00004	FAN BLADE
71	0161L00000	VENTURI RING 22"
NS	0163M00004	SCREW #10X3/4", BLACK (QTY 18)
NS	0163M00005P	WASHER, BLACK (.50 OD .218ID) (QTY 4)

**Image 2:**

12	B1226207	ACCUMULATOR .875
22	0130M00075	CUT-OUT SWITCH, LOW PRESSURE
52	B1219204	BI-FLOW FILTER DRIER
62	0151R00071	REVERSING VALVE
72	0130M00074	CUT-OUT SWITCH, HIGH PRESSURE
82	B1339533	COMPRESSOR GROMMET (QTY 4)
102	M0221641	TF SHOULDER SCREW (QTY 4)
112	ZP31K5EPFV130	COMPRESSOR 31100, 208/230/60/1 (M1, M3)
112	ZP31K5ETF5130	COMPRESSOR 31200, 200/230/60/3 (M2, M4)
122	0121L01308	MOUNTING PLATE-COMPRESSOR
132	0130M00106	DISC THERMOSTAT CRNKCS HTR SW
142	0163R00002	HEATER, CRANKCASE 230V, 40W
152	0121L02619	BASE PAN, INDOOR
162	0121L01990	BASE PAN, OUTDOOR
172	0159L00027	COMPRESSOR SCROLL HARNESS (M1, M3)
172	0159L00065	COMPRESSOR SCROLL HARNESS (M2, M4)
NS	B1373315	ACCESS FITTING (QTY 2)
NS	0163M00175	CAP WITH O-RING (QTY 2)
NS	B1225022	SOLENOID COIL

**Expanded Model Nomenclature**

- |                       |
|-----------------------|
| M1 - DSH036XXX1DXXXAA |
| M2 - DSH036XXX3DXXXAA |
| M3 - DSH0360101DXXJAA |
| M4 - DSH0360153DHXBAA |

# Cabinet Assembly

IMAGE 1

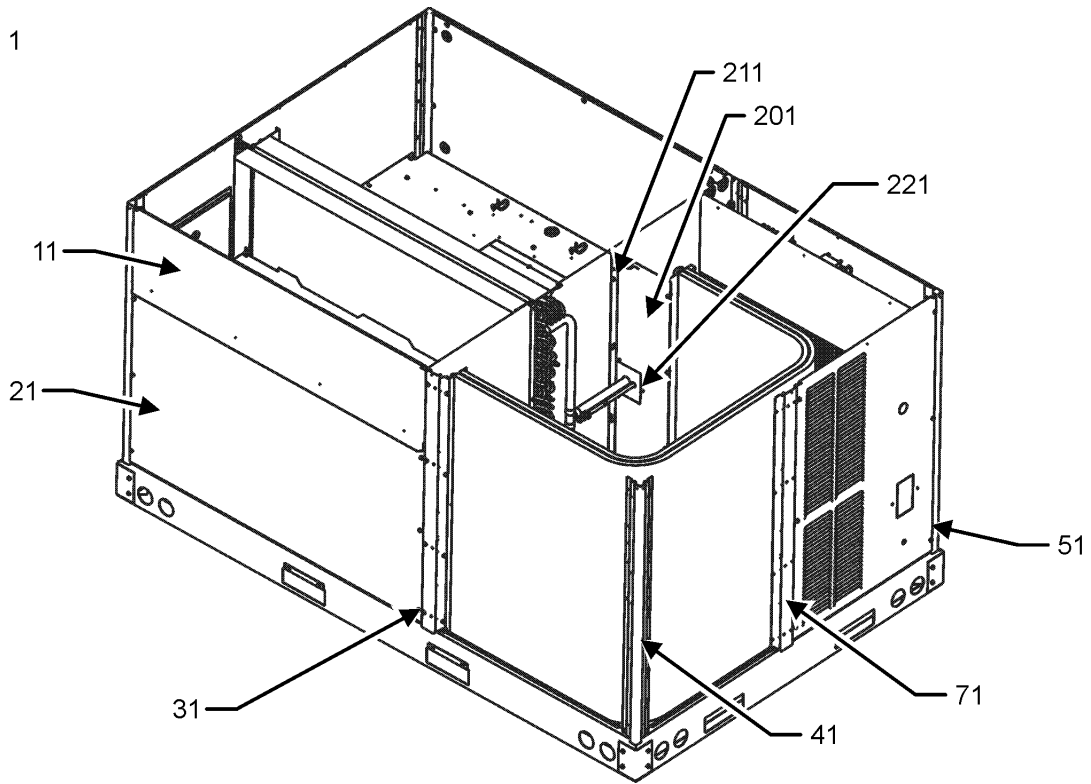
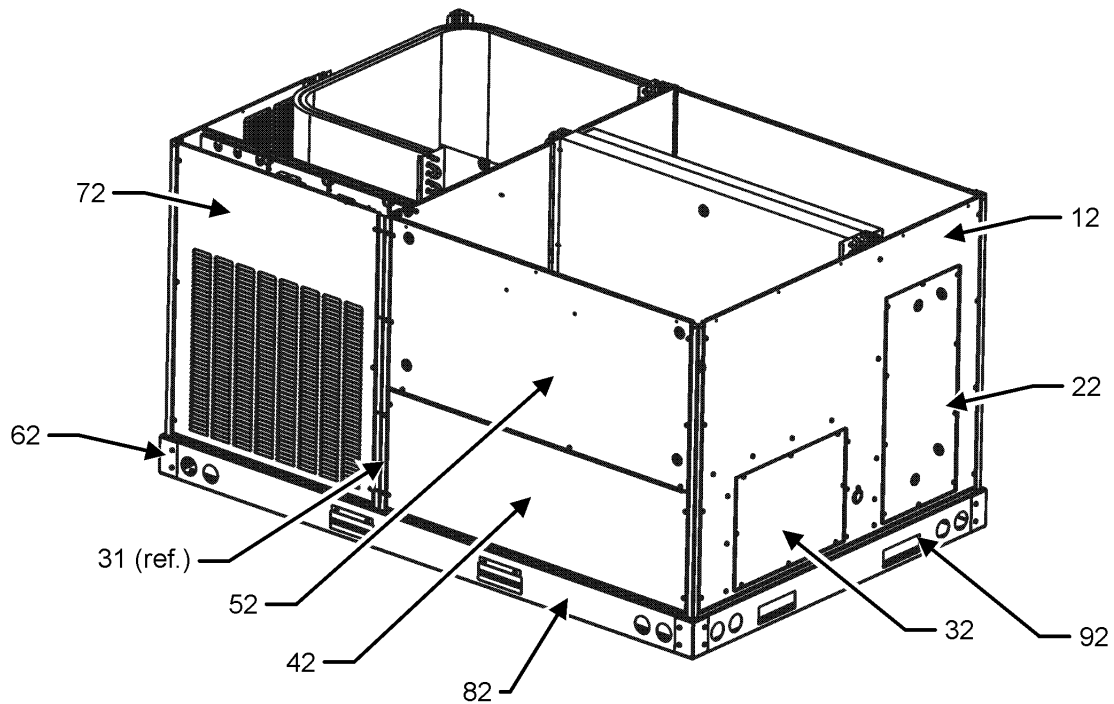


IMAGE 2



# Cabinet Assembly

Ref. Part No:	Ref. Part No:	Description:	Description:
---------------	---------------	--------------	--------------

**Image 1:**

11	0270L00362NG	FILTER DOOR
21	0121L00976NG	ECONOMIZER DOOR
31	0121L00233RFNG	POST-SIDE SUPPORT (QTY 2)
41	0121L00237RFNG	CORNER POST (QTY 4)
51	0121L00263NG	LOUVERED COMPRESSOR PANEL (M1, M2, M3)
51	0121L00836NG	LOUVERED COMPRESSOR PANEL (M4)
71	0121L01159RFNG	POST-SIDE SUPPORT
201	0121L00311	COND BLOCK-OFF
211	0121L00254	COND MOUNTING ANGLE
221	0121L00939	CONDENSER BLOCKOFF PLATE
NS	0164L00009	GASKET-RUBBER, CPOST (QTY 3)
NS	0164L00011	GASKET-RUBBER, SIDE POST (QTY 2)

**Image 2:**

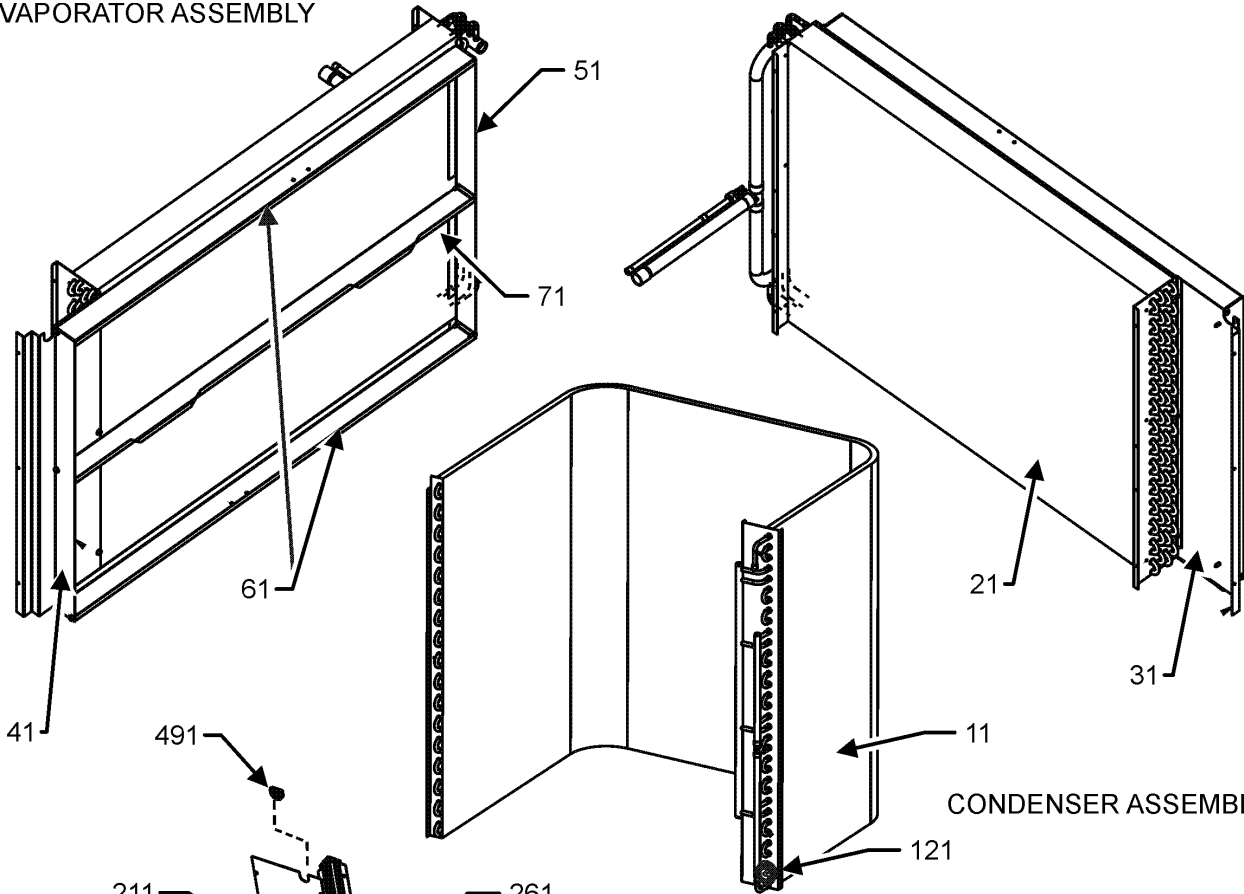
12	0121L00236NG	DUCT PANEL
22	0121L00023NG	RETURN DUCT COVER
32	0121L00024NG	SUPPLY DUCT COVER
42	0121L01176NG	ELECTRIC HEAT DOOR
52	0121L01157NG	BLOWER DOOR
62	0121G00301	RAIL CORNER BRACKET (QTY 4)
72	0121L01121NG	LOUVERED CONTROL PANEL
82	0121L00244RF	SIDE RAIL (QTY 2)
92	0121L00245	END RAIL
NS	0141L00003X	FORK BOARD (QTY 2)
NS	0121L00055	FORK BOARD BRACKET (QTY 4)

**Expanded Model Nomenclature**

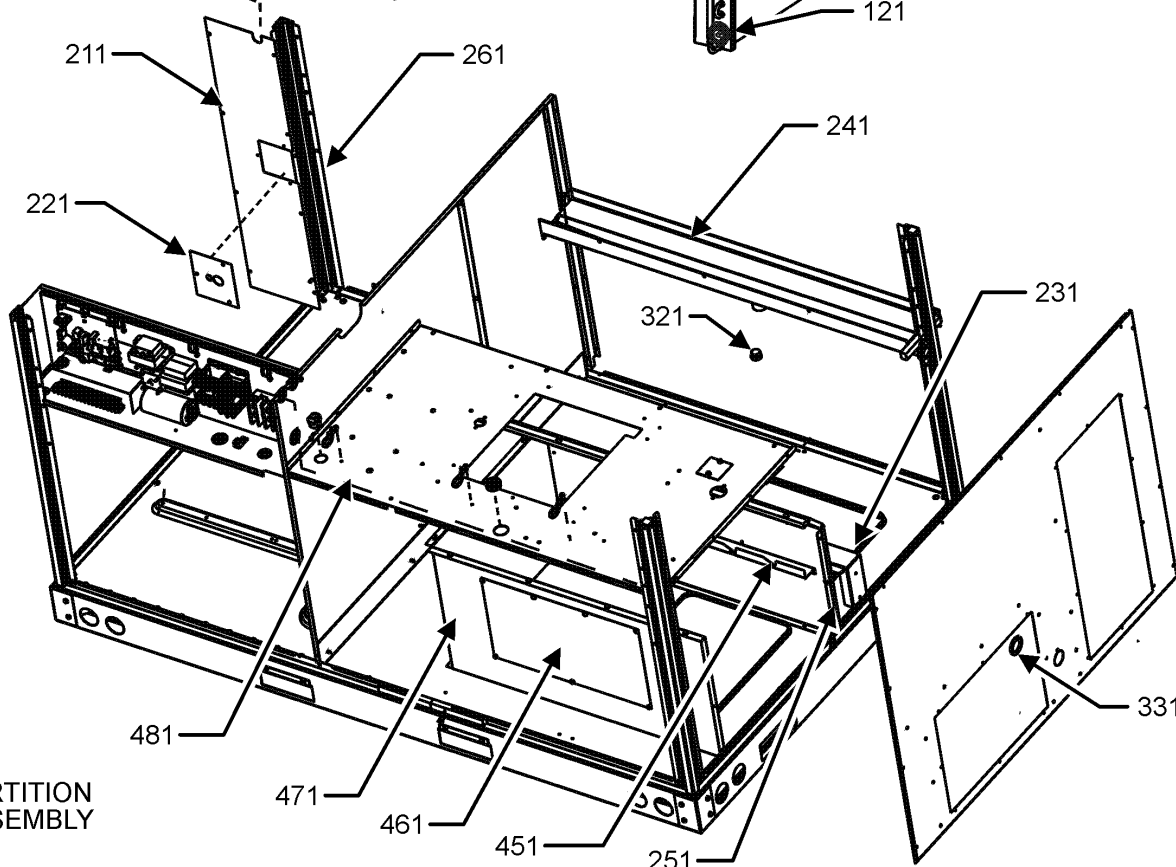
M1 - DSH036XXX1DXXXAA
M2 - DSH036XXX3DXXXAA
M3 - DSH0360101DXXJAA
M4 - DSH0360153DHXBAA

# Condenser, Evaporator and Partition Assy

## EVAPORATOR ASSEMBLY



## CONDENSER ASSEMBLY



## PARTITION ASSEMBLY

# Condenser, Evaporator and Partition Assy

Ref. Part No:	Ref. Part No:	Description:	Description:
---------------	---------------	--------------	--------------

**Image 1:**

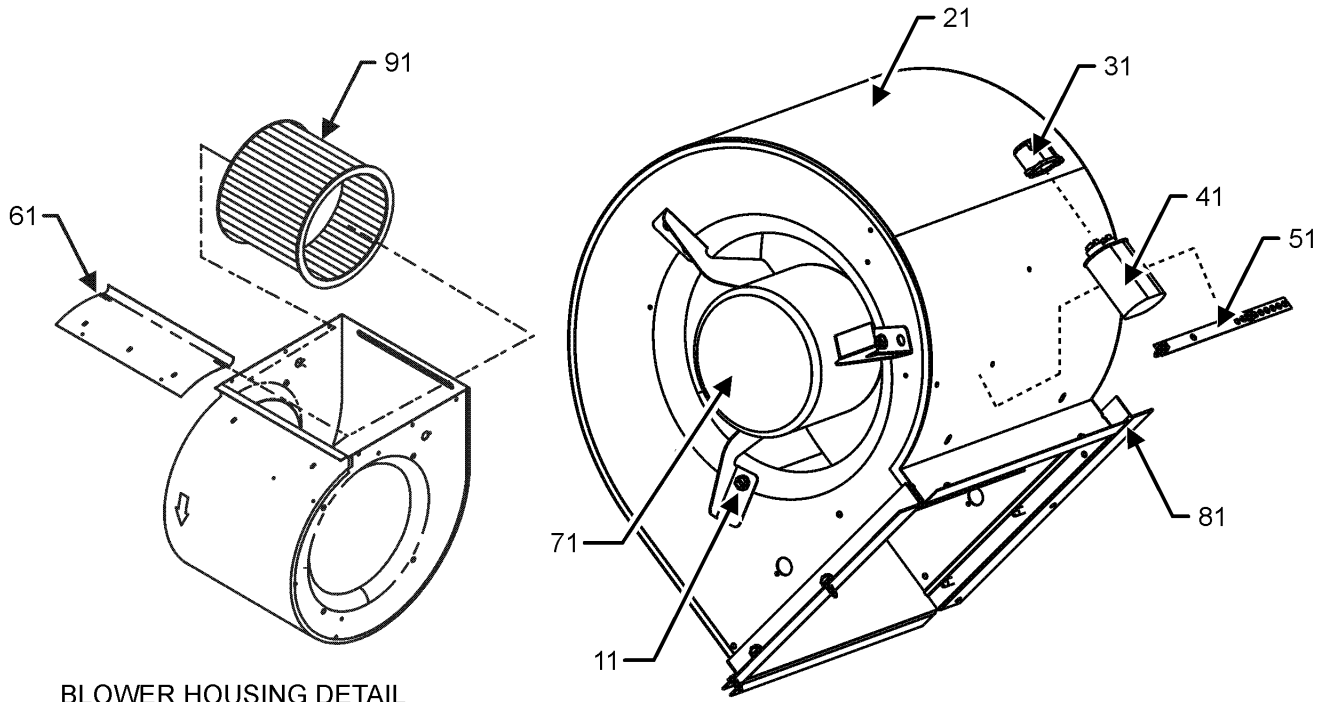
11	0201L00287	COND COIL TUBING ASSY
21	0202L00155	EVAP COIL TUBING ASSY
31	0121L00313	BLOCKOFF-EVAPORATOR (M1, M2, M4)
31	0121L00336	BLOCKOFF-EVAPORATOR (M3)
41	0121L00303	FILTER ANGLE-VERTICAL (HAIRPIN SIDE)
51	0121L00287	FILTER ANGLE-VERTICAL (RETURN SIDE)
61	0121L00932	FILTER ANGLE-HORIZONTAL (QTY 2)
71	0121L01255	ANGLE-FILTER CENTER
121	0130M00100	DEFROST CONTROL
211	0121L00311	COND BLOCK-OFF
221	0121L00939	CONDENSER BLOCKOFF PLATE
231	0121L00238	DRAIN PAN SUPPORT
241	0161L00005	DRAIN PAN
251	0121L02123	CHANNEL-DECK SIDE
261	0121L00254	COND MOUNTING ANGLE
321	0163L00071	DRAIN PLUG
331	0154L00009	DRAIN PAN GASKET
451	0121L00288	ELECTRIC HEAT RETAINER
461	0121L00144	ELECTRIC HEAT COVER
471	0121L00256	ELECTRIC HEAT PANEL
481	0121L03396	DECK-BLOWER
491	A4568804	GROMMET-D
NS	0160L00173	AIR FILTER 14 X 20 X 2 (QTY 4)
NS	0121L00321	SMOKE DETECTOR COVER

**Expanded Model Nomenclature**

M1 - DSH036XXX1DXXXAA
M2 - DSH036XXX3DXXXAA
M3 - DSH0360101DXXJAA
M4 - DSH0360153DHXBAA

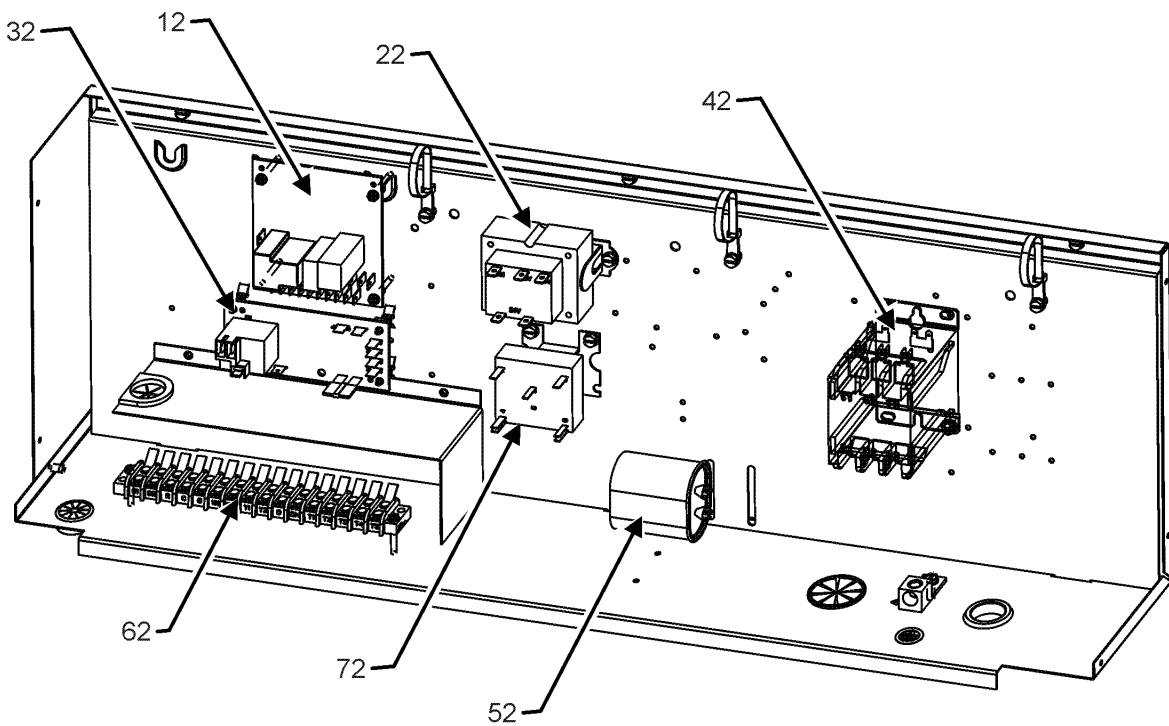
# Blower and Control Board Assembly

IMAGE 1



BLOWER HOUSING DETAIL

IMAGE 2



# Blower and Control Board Assembly

Ref. Part No:	Part No:	Description:	Ref. Part No:	Part No:	Description:
---------------	----------	--------------	---------------	----------	--------------

**Image 1:**

11	M0250558	TC SCREW (QTY 3)
21	11185817	HSG WELD-BLWR FUR
31	B821700	CAPACITOR BOOT
41	CAP100000370LA	CAP, 10 MFD/370V/OVAL
51	20520901	CAPACITOR STRAP
61	C6121806	BLOWER CUT-OFF
71	0131M00126	BLOWER MOTOR
81	0121L00308	BLOWER MOUNTING ANGLE
91	D6723303	BLOWER WHEEL

**Image 2:**

12	PCBDM133	DEFROST CONTROL BOARD
22	0130M00594	TRANSFORMER
32	PCBFM103	PCB, TIME DELAY, EBTDR
42	CONT3P025024V	CONTACTOR 25 AMP, 3P, 24V (M2, M4)
42	CONT1P030024V	CONTACTOR 30 AMP, 1P, 24V (M1, M3)
52	CAP100450440CS	CAP, 10/45 MFD/ 440V DUAL RD (M1, M3)
52	CAP100000370LA	CAPACITOR 10/370V (M2, M4)
62	0130M00038	TERMINAL BOARD
72	0130M00025	RELAY, SPDT
NS	0259L00178	HARNESS, ECONOMIZER
NS	0259L00092	HARNESS-SMOKE DETECTOR SENSOR (M3)
NS	20520901	STRAP-CAPACITOR
NS	0259L00120	WIRE HARNESS, CONTROL
NS	0259L00082	WIRE HARNESS, DEFROST
NS	0259L00079	WIRE HARNESS, EVAP MOTOR
NS	0259L00090	WIRE HARNESS-SMOKE DETECTOR (M3)
NS	0259L00061	WIRING HARNESS
NS	0259L00070	WIRING HARNESS

**Expanded Model Nomenclature**

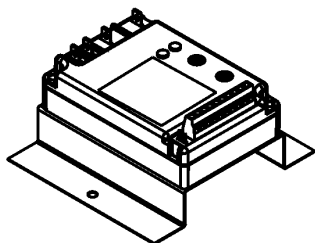
M1 - DSH036XXX1DXXXAA
M2 - DSH036XXX3DXXXAA
M3 - DSH0360101DXXJAA
M4 - DSH0360153DHXBAA

# Accessory Parts List

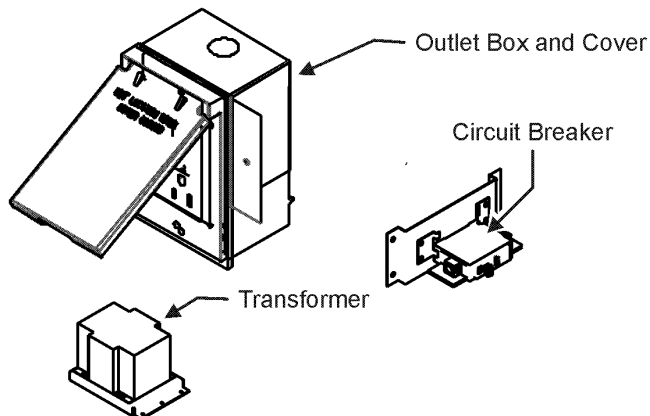
## ACCESSORY PARTS LIST

NOTE: NOT ALL OPTIONS AVAILABLE FOR ALL PRODUCTS

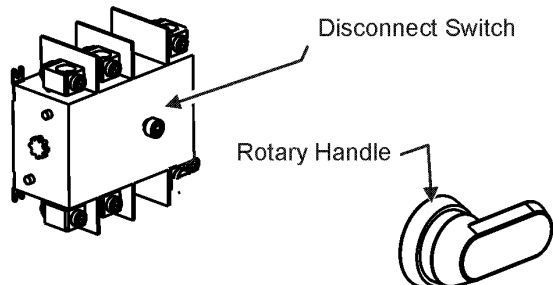
### 1 LOW AMBIENT KITS



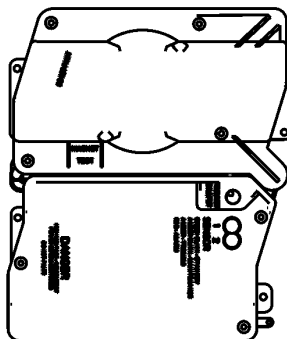
### 2 GFCI CONVENIENCE OUTLET



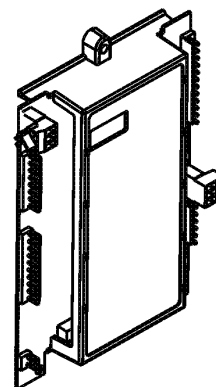
### 3 DISCONNECT MODULE (NON-FUSED)



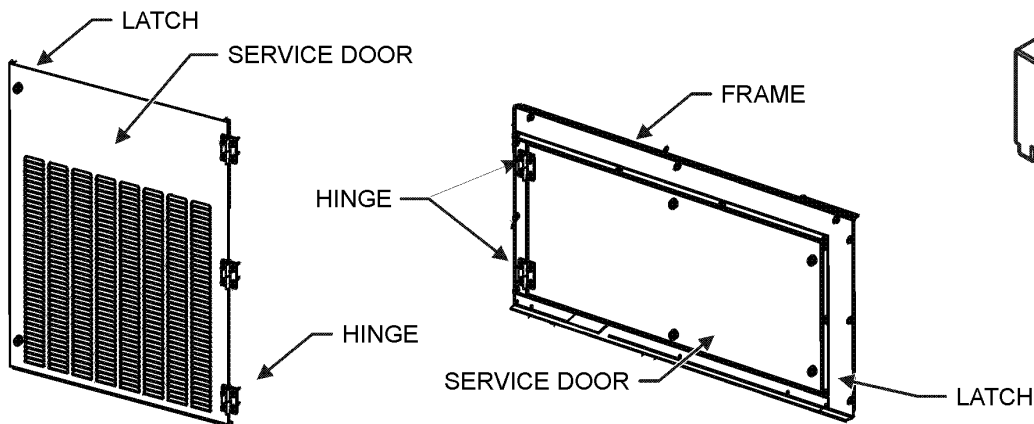
### 4 SMOKE DETECTORS



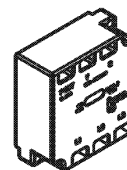
### 5 DDC CONTROL



### 6 HINGED DOOR ASSEMBLIES



### 7 PHASE MONITOR



# Accessory Parts List

Ref. Part No:	No:	Description:	Ref. Part No:	No:	Description:
---------------	-----	--------------	---------------	-----	--------------

---

**Image 1:**

NS	EHK3-15	15KW 208-230/3 (M4)			
NS	0121L00316	BRACKET-CONV OUTLET MOUNT (M3, M4)			
NS	0121L01934	BRACKET-SMOKE DETECTOR (M3)			
NS	0130M00065	CIRCUIT BREAKER, CONVENIENCE OUTLET (M4)			
NS	0121L00837NG	DISCONNECT COVER (M4)			
NS	0130L00012	GANG BOX-GFCI OUTLET (M3, M4)			
NS	0130L00039	HANDLE, ROTARY (M4)			
NS	0161G00012	POWER OUTLET BOX (M3, M4)			
NS	0130L00103	RECEPTACLE-GFCI OUTLET (M3, M4)			
NS	0130L00049	SHAFT, DISCONNECT (M4)			
NS	D4120	SMOKE DETECTOR, PHOTO 4WIRE (M3)			
NS	D4S	SMOKE DETECTOR, SENSOR ONLY (M3)			
NS	0130L00027	SWITCH-DISCONNECT 100A (M4)			
NS	0130M00061	TRANSFORMER, CONVENIENCE OUTLET (M4)			

**Expanded Model Nomenclature**

M1 - DSH036XXX1DXXXAA
M2 - DSH036XXX3DXXXAA
M3 - DSH0360101DXXJAA
M4 - DSH0360153DHXBAA