

Commercial 5 Ton High Static Belt Drive Package Gas Unit

DSG0600903HFXXAA
DSG0600903HHDBAA
DSG0600903HWXCAA
DSG0600904HHXXAA
DSG0600904HWSBAA
DSG0600904HWXCAA
DSG0600904HWXDAA
DSG0600904HXXCAA
DSG0600904HXXXAA
DSG0601153HMSNAA
DSG0601153HRKBAA
DSG0601153HRSNAA
DSG0601153HWDXAA
DSG0601153HWJBAA
DSG0601153HWXBAA
DSG0601153HWXNAA
DSG0601153HXDVAA
DSG0601154HHXGAA
DSG0601154HVXXAA
DSG0601403HAXBAA
DSG0601403HWXNAA
DSG0601404HHXXAA
DSG0601404HRLMAA
DSG0601404HVXXAA
DSG0601404HWDOAA
DSG0601404HWXBAA
DSG0601404HWXXAA
DSG0601407HHDAAA
DSG0601407HVXXAA
DSG0601407HXXXAA



This manual is to be used by qualified technicians only.

This manual replaces RP-D1191G.

Important Information

Index

Functional Parts List	3
Illustration and Parts	4 - 17

Views shown are for parts illustrations only, not servicing procedures

Text Codes:

AR - As Required

NA - Not Available

NS - Not Shown

00000000 - See Note

QTY - Quantity Example (QTY 3) (If Quantity not shown, Quantity = 1)

M - Model Example (M1) (If M Code not shown, then part is used on all Models)

Expanded Model Nomenclature:

Example M1 - Model#1 M2 - Model#2 M3 - Model#3

Daikin Company, L.P. is not responsible for personal injury or property damage resulting from improper service. Review all service information before beginning repairs.

Warranty service must be performed by an authorized technician, using authorized factory parts. If service is required after the warranty expires, Daikin Company, L.P. also recommends contacting an authorized technician and using authorized factory parts.

Daikin Company, L.P. reserves the right to discontinue, or change at any time, specifications or designs without notice or without incurring obligations.

For assistance within the U.S.A. contact:

Equipment Support
Daikin North America, LLC
19001 Kermier Road
Waller, Texas 77484
855-770-5678-Telephone
713-863-2382-Facsimile

For assistance outside the U.S.A. contact:

International Division
Daikin North America, LLC
19001 Kermier Road
Waller, Texas 77484
713-861-2500-Telephone
713-863-2382-Facsimile

Functional Parts

Part

No: Description:

10735102	BECKETT BURNER (QTY 4)	0130M00025	RELAY, SPDT
B1368056	BELT DRIVE BLOWER WHEEL	0130M00038	TERMINAL BOARD
CAP100000440LA	CAP 10 MFD/440V/OVAL (M2, M13, M14, M15, M16, M20, M21)	0130M00274	TERMINAL BOARD (M1, M10, M11, M12, M23)
CAP100000370LA	CAPACITOR 10/370V (M1, M10, M11, M12)	0130M00275	TERMINAL BOARD (M1, M10, M11, M12, M23)
CAP050000370LA	CAPACITOR 5/370V (M3, M6, M8, M17)	0130M00596	TRANS, 150VA, 480V TO 230V (M4, M5, M6, M7, M8, M9, M18, M19, M22, M23, M24, M25, M26, M27)
CAP050000440LA	CAPACITOR 5/440V (M4, M5, M7, M9, M18, M19, M22, M24, M25, M26, M27, M28, M29, M30)	0130M00597	TRANS, 150VA, 575V TO 230V (M28, M29, M30)
CAP075000370LA	CAPACITOR 7.5/370V (M23)	0130M00138	TRANSFORMER, 208/230, 24V (M1, M2, M3, M10, M11, M12, M13, M14, M15, M16, M17, M20, M21)
ZP51K5ETFE130	COMP, 5100, 575/60/3 (M28, M29, M30)	0130M00595	TRANSFORMER, 75VA, 480V TO 24V (M4, M5, M6, M7, M8, M9, M18, M19, M22, M23, M24, M25, M26, M27)
ZP51K5ETF5130	COMP, 51000, 208/230/60/3 (M1, M2, M3, M10, M11, M12, M13, M14, M15, M16, M17, M20, M21)	0130M00598	TRANSFORMER, 75VA, 575V TO 24V (M28, M29, M30)
ZP51K5ETFD130	COMP, 51000, 460/60/3 (M4, M5, M6, M7, M8, M9, M18, M19, M22, M23, M24, M25, M26, M27)		
CONT3P025024V	CONTACTOR 25 AMP, 3P, 24V (M4, M5, M6, M7, M8, M9, M18, M19, M22, M23, M24, M25, M26, M27, M28, M29, M30)		
CONT3P030024V	CONTACTOR 30 AMP, 3P, 24V (M1, M2, M3, M10, M11, M12, M13, M14, M15, M16, M17, M20, M21)		
0259L00368	CURRENT SWITCH WITH TERMS (M1, M10, M11, M12, M23)		
0130M00074	CUT-OUT SWITCH, HIGH PRESSURE		
0130M00087	CUT-OUT SWITCH, LOW PRESSURE		
0130L00112	Duct Temp Sensor (M1, M10, M11, M12, M23)		
0164L00010	FAN BELT, NOTCHED		
0150G00004	FAN BLADE		
0130F00010	FLAME SENSOR		
0151F00000P	GAS VALVE		
20261709	IGNITOR		
10123532	MANUAL RESET LIMIT 350°F		
0131L00061	MOTOR, 1/4 HP, 1SP, 6PL (M3, M17)		
0131M00838	MOTOR, 1/4 HP, OD (M4, M5, M7, M9, M18, M19, M22, M23, M24, M25, M26, M27)		
0131M00837	MOTOR, 1/4 HP, OD (M1, M2, M10, M11, M12, M13, M14, M15, M16, M20, M21)		
0131M00839	MOTOR, 1/4 HP, OD (M28, M29, M30)		
0131L00092	MOTOR, 208-230 & 460V/60HZ 3PH (M1, M2, M3, M4, M5, M6, M7, M8, M9, M10, M11, M12, M13, M14, M15, M16, M17, M18, M19, M20, M21, M22, M23, M24, M25, M26, M27)		
0131L00093	MOTOR, 575V/60HZ 3PH (M28, M29, M30)		
0131L00062	MOTOR, COND, 1/4 HP, 460V (M6, M8)		
0130L00108	OD Air Temp Sensor (M1, M10, M11, M12, M23)		
PCBCG103	PCB, CONTROL, HP, GAS ,AC (M1, M10, M11, M12, M23)		
PCBAG123	PCB, IGNITION, DSI		
11112501	PRESSURE SWITCH		
0130M00063	PRIMARY LIMIT - GOLD 140° (M1, M2, M3, M4, M5, M6, M7, M8, M9)		
0130F00037	PRIMARY LIMIT - GRAY 150° (M10, M11, M12, M13, M14, M15, M16, M17, M18, M19)		
0130F00035	PRIMARY LIMIT - PURPLE 220° (M20, M21, M22, M23, M24, M25, M26, M27, M28, M29, M30)		
20162904	PRIMARY LIMIT-TEMPERATURE CONTROL (M10, M11, M12, M13, M14, M15, M16, M17, M18, M19)		
20162905	PRIMARY LIMIT-YELLOW (M1, M2, M3, M4, M5, M6, M7, M8, M9, M20, M21, M22, M23, M24, M25, M26, M27, M28, M29, M30)		

Expanded Model Nomenclature

M1 - DSG0600903HFXXAA
M2 - DSG0600903HHDBAA
M3 - DSG0600903HWXCAA
M4 - DSG0600904HHXXAA
M5 - DSG0600904HWSBAA
M6 - DSG0600904HWXCAA
M7 - DSG0600904HWXDAA
M8 - DSG0600904HXXCAA
M9 - DSG0600904HXXXAA
M10 - DSG0601153HMSNAA
M11 - DSG0601153HRKBAA
M12 - DSG0601153HRSNAA
M13 - DSG0601153HWDXAA
M14 - DSG0601153HWJBAA
M15 - DSG0601153HWXBAA
M16 - DSG0601153HWXNAA
M17 - DSG0601153HXDVAA
M18 - DSG0601154HHXGAA
M19 - DSG0601154HVXXAA
M20 - DSG0601403HAXBAA
M21 - DSG0601403HWXNAA
M22 - DSG0601404HHXXAA
M23 - DSG0601404HRLMAA
M24 - DSG0601404HVXXAA
M25 - DSG0601404HWD0AA
M26 - DSG0601404HWXBAA
M27 - DSG0601404HWXXAA
M28 - DSG0601407HHDAAA
M29 - DSG0601407HVXXAA
M30 - DSG0601407HXXXAA

Top Panel and Tubing Assembly

IMAGE 1

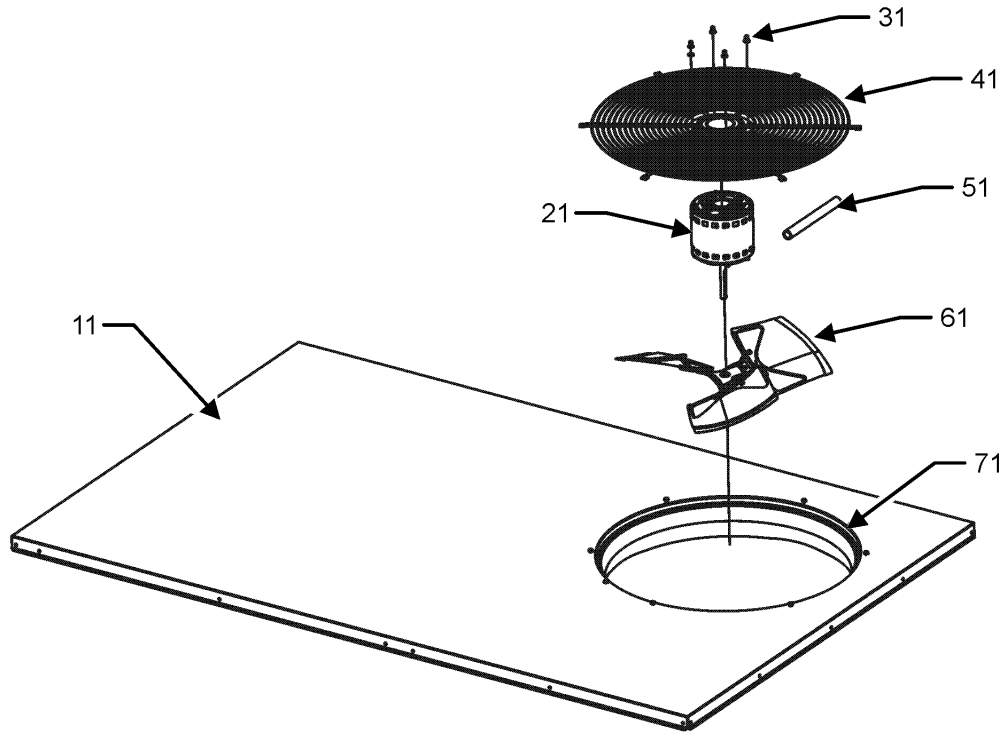
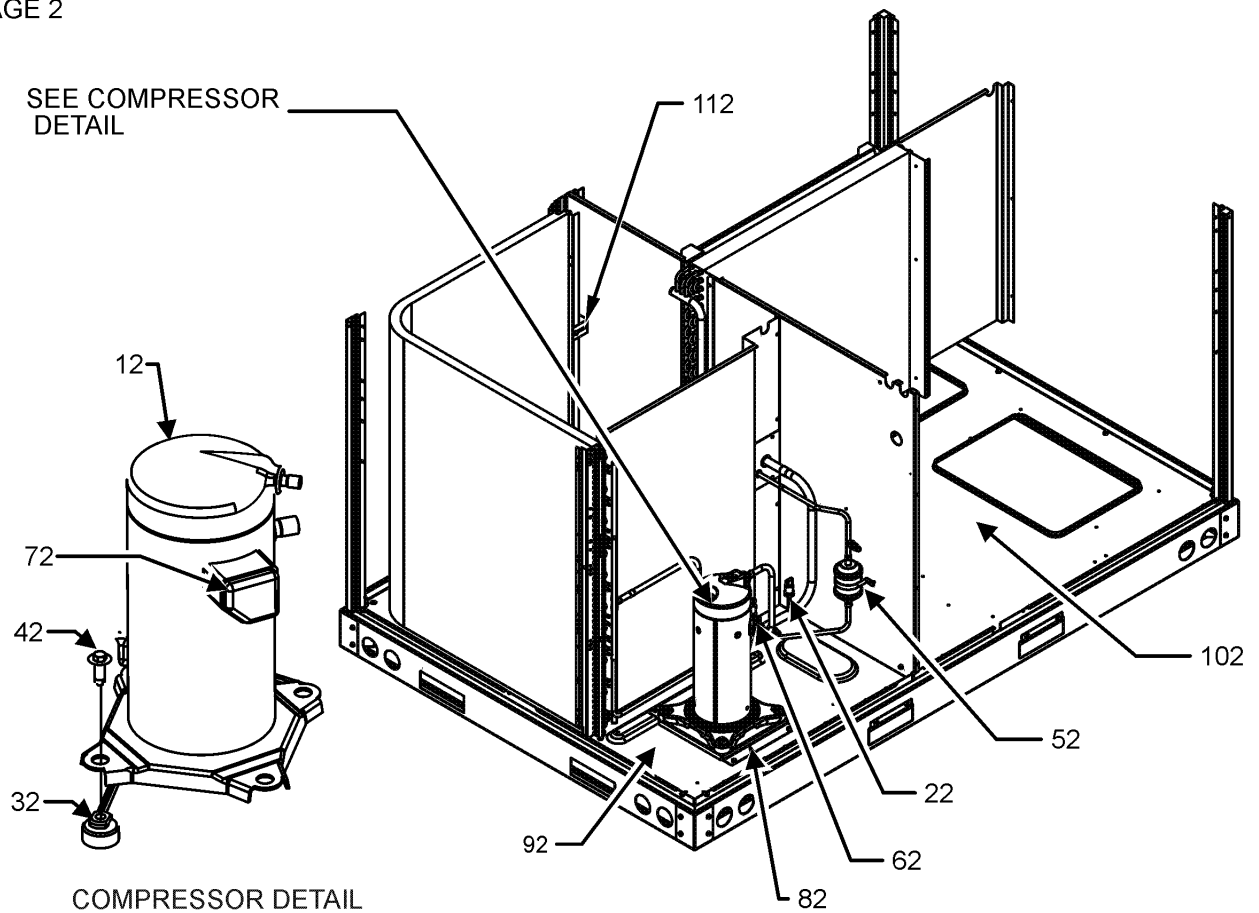


IMAGE 2



Top Panel and Tubing Assembly

**Ref. Part
No: No:**

Description:

**Ref. Part
No: No:**

Description:

Image 1:

11	0121L00235NG	TOP PANEL
21	0131L00061	MOTOR, 1/4 HP, 1SP, 6PL (M3, M17)
21	0131M00837	MOTOR, 1/4 HP, OD (M1, M2, M10, M11, M12, M13, M14, M15, M16, M20, M21)
21	0131M00838	MOTOR, 1/4 HP, OD (M4, M5, M7, M9, M18, M19, M22, M23, M24, M25, M26, M27)
21	0131M00839	MOTOR, 1/4 HP, OD (M28, M29, M30)
21	0131L00062	MOTOR, COND, 1/4 HP, 460V (M6, M8)
31	0163M00006P	ACORN NUT 5/16 HEX BLACK (QTY 4)
41	0152G00000	FAN GRILLE, RAISED
51	0161R00003P	CONDUIT
61	0150G00004	FAN BLADE
71	0161L00000	VENTURI RING 22"
NS	0163M00004	SCREW #10X3/4", BLACK (QTY 8)
NS	0163M00005P	WASHER, BLACK (.50 OD .218ID) (QTY 4)

Image 2:

12	ZP51K5ETFE130	COMP, 5100, 575/60/3 (M28, M29, M30)
12	ZP51K5ETF5130	COMP,51000,208/230/60/3 (M1, M2, M3, M10, M11, M12, M13, M14, M15, M16, M17, M20, M21)
12	ZP51K5ETFD130	COMP,51000,460/60/3 (M4, M5, M6, M7, M8, M9, M18, M19, M22, M23, M24, M25, M26, M27)
22	0130M00087	CUT-OUT SWITCH, LOW PRESSURE
32	B1339533	COMPRESSOR GROMMET (QTY 4)
42	M0221641	TF SHOULDER SCREW (QTY 4)
52	0162R00009	DRIER-FILTER
62	0130M00074	CUT-OUT SWITCH, HIGH PRESSURE
72	0159L00065	COMPRESSOR SCROLL HARNESS
82	0121L00310	COMPRESSOR MOUNTING PLATE
92	0121L01990	BASE PAN, OUTDOOR
102	0121L02619	BASE PAN-INDOOR
112	0121L00936	BRACKET-HAIRPIN END
NS	B1373315	ACCESS FITTING (QTY 2)
NS	0141L00003X	FORK BOARD (QTY 2)
NS	0121L00055	FORK BOARD BRACKET (QTY 4)

Expanded Model Nomenclature

M1 - DSG0600903HFXXAA
M2 - DSG0600903HHDBAA
M3 - DSG0600903HWXCAA
M4 - DSG0600904HHXXAA
M5 - DSG0600904HWSBAA
M6 - DSG0600904HWXCAA
M7 - DSG0600904HWXDAA
M8 - DSG0600904HXXCAA
M9 - DSG0600904HXXXAA
M10 - DSG0601153HMSNAA
M11 - DSG0601153HRKBAA
M12 - DSG0601153HRSNAA
M13 - DSG0601153HWDXAA
M14 - DSG0601153HWJBAA
M15 - DSG0601153HWXBAA
M16 - DSG0601153HWXNAA
M17 - DSG0601153HXDVAA
M18 - DSG0601154HHXGAA
M19 - DSG0601154HVXXAA
M20 - DSG0601403HAXBAA
M21 - DSG0601403HWXNAA
M22 - DSG0601404HHXXAA
M23 - DSG0601404HRLMAA
M24 - DSG0601404HVXXAA
M25 - DSG0601404HWDOAA
M26 - DSG0601404HWXBAA
M27 - DSG0601404HWXXAA
M28 - DSG0601407HHDAAA
M29 - DSG0601407HVXXAA
M30 - DSG0601407HXXXAA

Cabinet Assembly

IMAGE 1

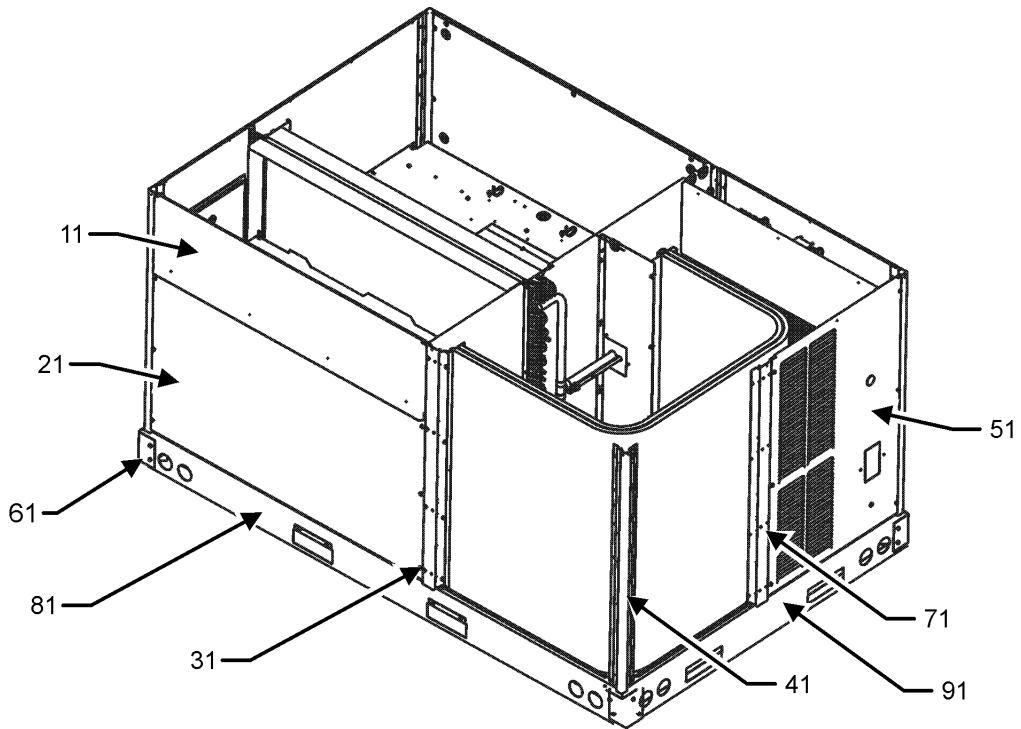
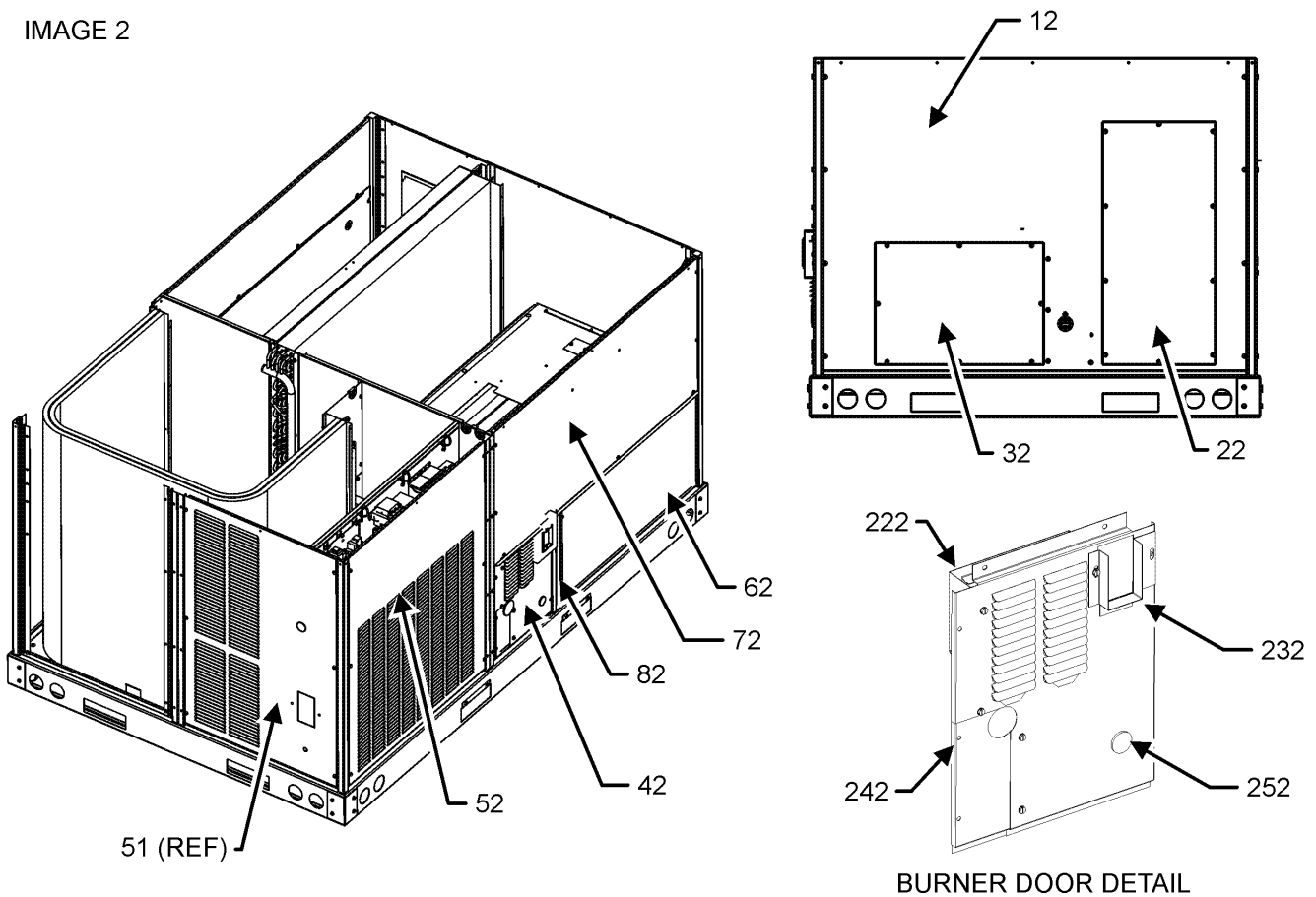


IMAGE 2



Cabinet Assembly

Ref. Part

No: No: Description:

Image 1:

11	0270L00362NG	FILTER DOOR
21	0121L00976NG	ECONOMIZER DOOR (M2, M3, M4, M5, M6, M7, M8, M9, M10, M13, M14, M15, M16, M17, M18, M19, M20, M21, M22, M24, M25, M26, M27, M28, M29, M30)
31	0121L00233RFNG	POST-SIDE SUPPORT (QTY 2)
41	0121L00237RFNG	CORNER POST (QTY 4)
41	0121L02553RFNG	PNT, CORNER POST (M2, M11, M13, M17, M23, M25, M28)
51	0121L00263NG	LOUVERED COMPRESSOR PANEL
51	0121L00836NG	PNT, COMP LOUVER DISC PNL (M2, M3, M4, M5, M6, M7, M10, M11, M12, M13, M14, M15, M16, M18, M21, M22, M23, M25, M26, M27, M28)
61	0121G00301	RAIL CORNER BRACKET (QTY 4)
71	0121L01374RFNG	PNT, RL FMD SIDE POST SUPPORT (M2, M11, M13, M17, M23, M25, M28)
71	0121L01159RFNG	POST-SIDE SUPPORT (M1, M3, M4, M5, M6, M7, M8, M9, M10, M12, M14, M15, M16, M18, M19, M20, M21, M22, M24, M26, M27, M29, M30)
81	0121L00244RF	SIDE RAIL (QTY 2)
91	0121L00245	END RAIL
NS	0121L01309	ECONOMIZER COVER (M1, M11, M12, M23)
NS	0121L02655	END RAIL
NS	0164L00009	GASKET-RUBBER, CPOST (QTY 3)
NS	0164L00011	GASKET-RUBBER, SIDE POST (QTY 3)

Image 2:

12	0121L00236NG	DUCT PANEL
22	0121L00023NG	RETURN DUCT COVER
32	0121L00024NG	SUPPLY DUCT COVER
42	0121L01438NG	BURNER DOOR
52	0121L01121NG	CONTROL PANEL W/LOUVERS (M1, M3, M4, M5, M6, M7, M8, M9, M10, M12, M14, M15, M16, M18, M19, M20, M21, M22, M24, M26, M27, M29, M30)
52	0121L02551NG	PNT, CONTROL DOOR (M2, M11, M13, M17, M23, M25, M28)
62	0121L01108NG	HEAT EXCHANGER DOOR
72	0121L01157NG	BLOWER DOOR
82	0121L01110RFNG	POST-BURNER
222	0121L01439	RAIN SHIELD DOOR
232	0121L01440NG	FLUE COLLAR
242	0121L01441NG	BURNER DOOR PANEL
252	B1392139	VIEW PORT BUSHING, CLEAR 1.00 (M14)
NS	B1910010	GAS LINE GROMMET

Ref. Part

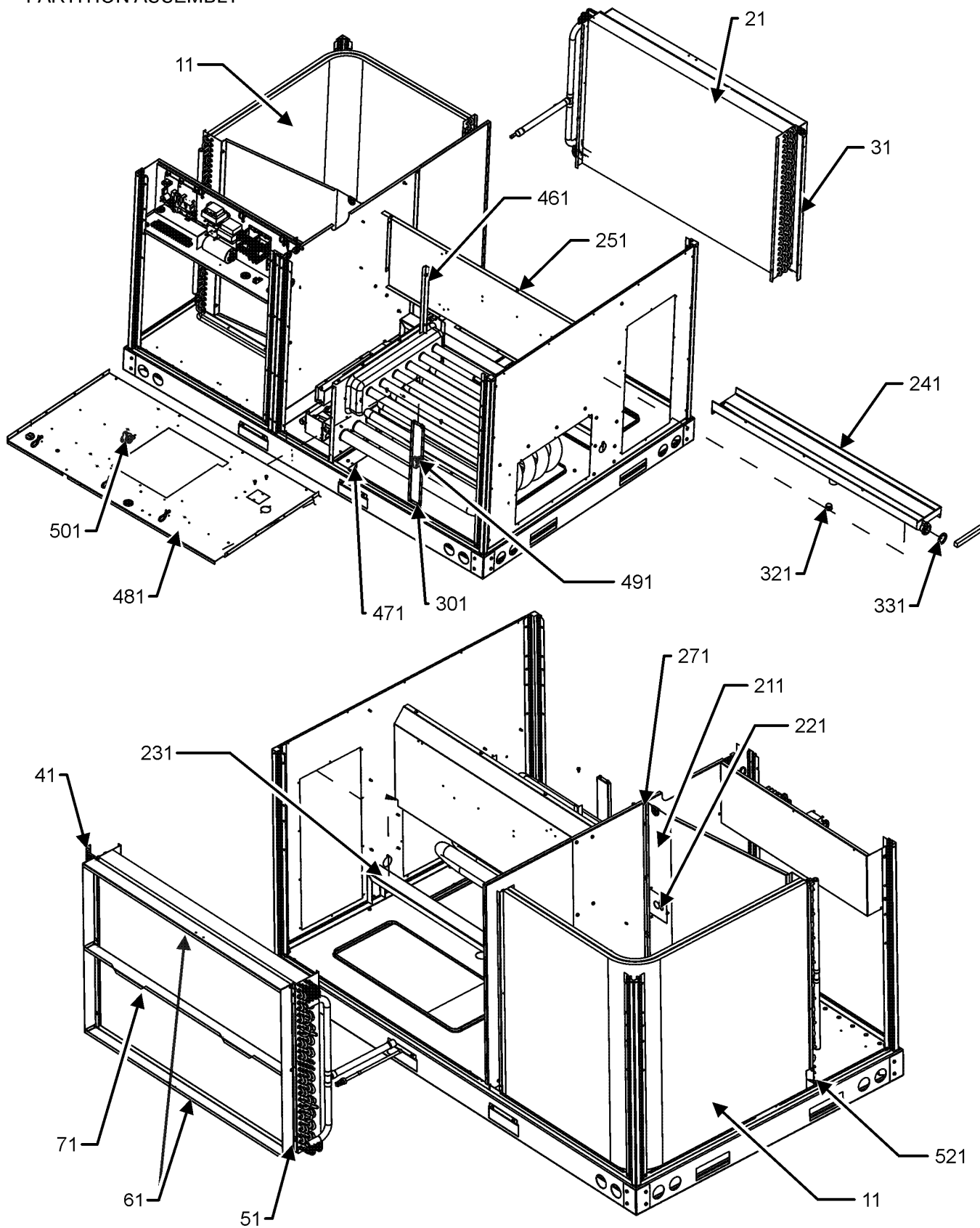
No: No: Description:

Expanded Model Nomenclature

M1 - DSG0600903HFXXAA
M2 - DSG0600903HHDBAA
M3 - DSG0600903HWXCAA
M4 - DSG0600904HHXXAA
M5 - DSG0600904HWSBAA
M6 - DSG0600904HWXCAA
M7 - DSG0600904HWXDAA
M8 - DSG0600904HXXCAA
M9 - DSG0600904HXXXAA
M10 - DSG0601153HMSNAA
M11 - DSG0601153HRKBAA
M12 - DSG0601153HRSNAA
M13 - DSG0601153HWDXAA
M14 - DSG0601153HWJBAA
M15 - DSG0601153HWXBAA
M16 - DSG0601153HWXNAA
M17 - DSG0601153HXDVAA
M18 - DSG0601154HHXGAA
M19 - DSG0601154HVXXAA
M20 - DSG0601403HAXBAA
M21 - DSG0601403HWXNAA
M22 - DSG0601404HHXXAA
M23 - DSG0601404HRLMAA
M24 - DSG0601404HVXXAA
M25 - DSG0601404HWDOAA
M26 - DSG0601404HWXBAA
M27 - DSG0601404HWXXAA
M28 - DSG0601407HHDAAA
M29 - DSG0601407HVXXAA
M30 - DSG0601407HXXXAA

Partition Assembly

PARTITION ASSEMBLY

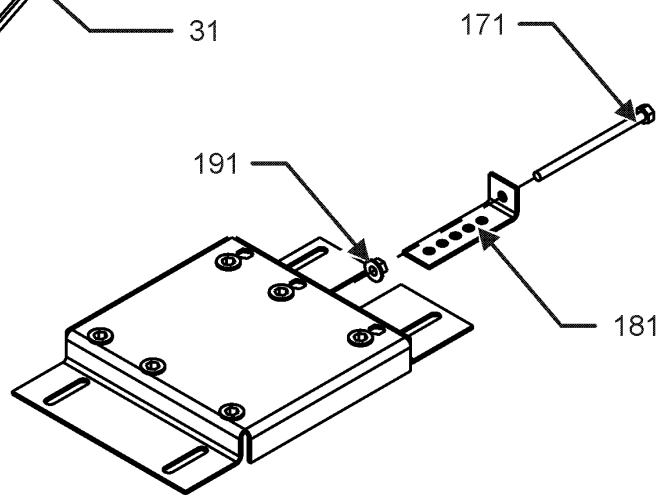
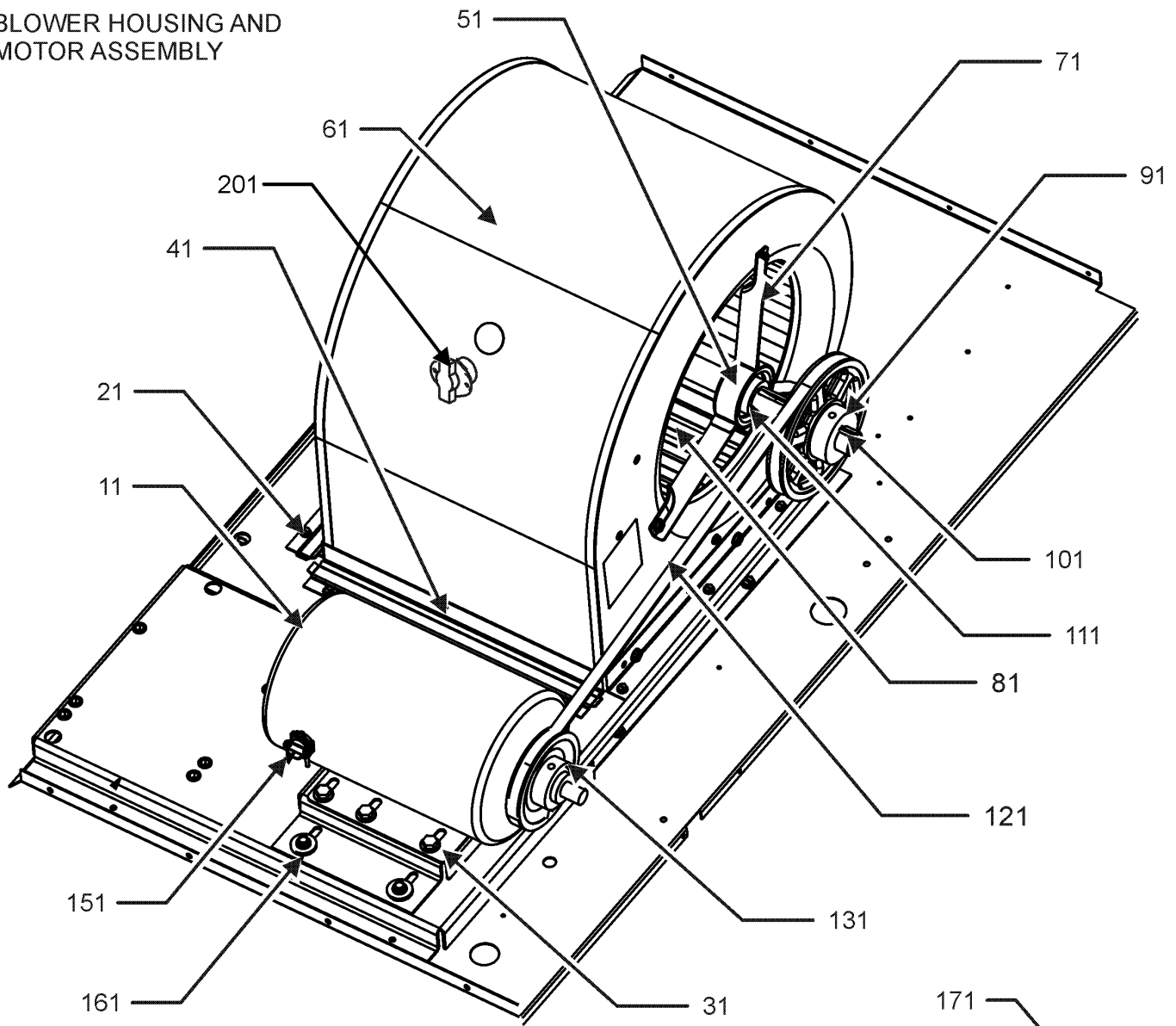


Partition Assembly

Ref. Part No:	Ref. Part No:	Description:	Description:
Image 1:		Expanded Model Nomenclature	
11	0201L00141	TUBING ASSY, COND COIL	M1 - DSG0600903HFXXAA
21	0202L00020	TUBING ASSY, EVAP COIL	M2 - DSG0600903HHDBAA
31	0121L00252	BLOCKOFF-EVAPORATOR (M1, M2, M3, M4, M5, M6, M8, M9, M11, M13, M14, M15, M19, M20, M22, M23, M24, M26, M27, M28, M29, M30)	M3 - DSG0600903HWXCAA
31	0121L00337	BLOCKOFF-EVAPORATOR (M7, M10, M12, M16, M17, M18, M21, M25)	M4 - DSG0600904HHXXAA
41	0121L00303	FILTER ANGLE-VERTICAL (HAIRPIN SIDE)	M5 - DSG0600904HWSBAA
51	0121L00287	FILTER ANGLE-VERTICAL (RETURN SIDE)	M6 - DSG0600904HWXCAA
61	0121L00932	FILTER ANGLE-HORIZONTAL (QTY 2)	M7 - DSG0600904HWXDAA
71	0121L01255	ANGLE-FILTER CENTER	M8 - DSG0600904HXXCAA
211	0121L00882	BLOCKOFF-CONDENSER	M9 - DSG0600904HXXXAA
221	0121L00939	CONDENSER BLOCKOFF PLATE	M10 - DSG0601153HMSNAA
231	0121L00238	DRAIN PAN SUPPORT	M11 - DSG0601153HRKBAA
241	0161L00005	DRAIN PAN	M12 - DSG0601153HRSNAA
251	0121L02123	DECK SIDE CHANNEL	M13 - DSG0601153HWDXAA
271	0121L00254	COND MOUNTING ANGLE	M14 - DSG0601153HWJBAA
301	0121L00300	POST-DECK SUPPORT	M15 - DSG0601153HWXBAA
321	0163L00071	DRAIN PLUG	M16 - DSG0601153HWXNAA
331	0154L00009	DRAIN PAN GASKET	M17 - DSG0601153HXDVA
461	0121L00293	ANGLE-HEAT EXCHANGER BACK (QTY 2)	M18 - DSG0601154HHXGAA
471	0121L00266	HEAT PANEL CHANNEL (QTY 2)	M19 - DSG0601154HVXXAA
481	0121L01575	BLOWER DECK	M20 - DSG0601403HAXBAA
491	0130M00063	PRIMARY LIMIT - GOLD 140° (M1, M2, M3, M4, M5, M6, M7, M8, M9)	M21 - DSG0601403HWXNAA
491	0130F00035	PRIMARY LIMIT - PURPLE 220° (M20, M21, M22, M23, M24, M25, M26, M27, M28, M29, M30)	M22 - DSG0601404HHXXAA
501	20162904	PRIMARY LIMIT-TEMPERATURE CONTROL (M10, M11, M12, M13, M14, M15, M16, M17, M18, M19)	M23 - DSG0601404HRLMAA
521	0121L00937	BRACKET-COND TIE DOWN	M24 - DSG0601404HVXXAA
NS	0160L00173	AIR FILTER 14 X 20 X 2 (QTY 4)	M25 - DSG0601404HWD0AA
NS	0121L01377	BLOWER DECK SUPPORT (M2, M11, M13, M17, M23, M25, M28)	M26 - DSG0601404HWXBAA
NS	A4568804	GROMMET-D (QTY 4)	M27 - DSG0601404HWXXAA
NS	0121L00321	SMOKE DETECTOR COVER	M28 - DSG0601407HHDAAA
			M29 - DSG0601407HVXXAA
			M30 - DSG0601407HXXXAA

Belt Drive Assembly

BLOWER HOUSING AND
MOTOR ASSEMBLY



MOUNTING PLATE ASSEMBLY

Belt Drive Assembly

**Ref. Part
No: No:**

Description:

**Ref. Part
No: No:**

Description:

Image 1:

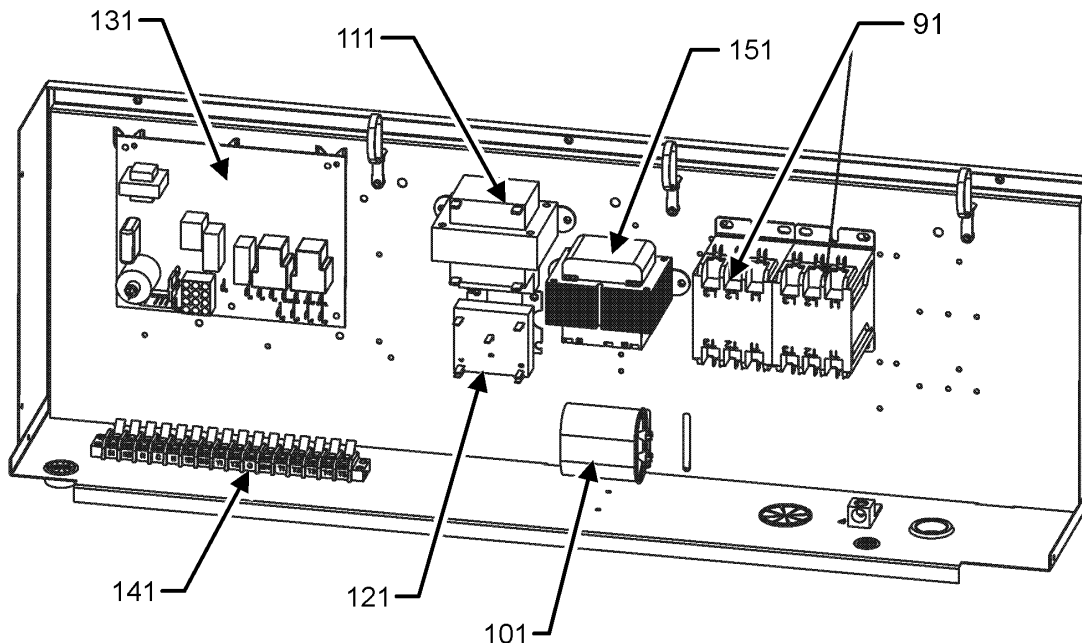
11	0131L00092	MOTOR, 208-230 & 460V/60HZ 3PH (M1, M2, M3, M4, M5, M6, M7, M8, M9, M10, M11, M12, M13, M14, M15, M16, M17, M18, M19, M20, M21, M22, M23, M24, M25, M26, M27)
11	0131L00093	MOTOR, 575V/60HZ 3PH (M28, M29, M30)
21	0121L00297	BLOWER SIDE ANGLE (QTY 3)
31	0121L01619	MOTOR BASE
41	0121L00281	BLOWER MOUNTING ANGLE
51	0163L00005	BELT DRIVE BLOWER SHAFT
61	2539302F	BLOWER HOUSING 11 X 10
71	B3201300	MOUNTING BRACKET BEARING (QTY 2)
81	B1368056	BELT DRIVE BLOWER WHEEL
91	0163L00138	SHEAVE, FIXED AK61H
101	0163M00407	MACHINE KEY, SPECIAL
111	0163L00247	BEARING, BALL, MOUNTED (QTY 2)
121	0164L00010	FAN BELT, NOTCHED
131	0163L00061	SHEAVE, ADJUSTABLE (M28, M29, M30)
131	B2120013	VARIABLE PITCH SHEAVE 1VP50 (M1, M2, M3, M4, M5, M6, M7, M8, M9, M10, M11, M12, M13, M14, M15, M16, M17, M18, M19, M20, M21, M22, M23, M24, M25, M26, M27)
151	B1393726	ELECT. CONNECTING BUSHING
161	B1393738	BOLT 1/4-20 X 3/4" (QTY 4)
171	0163M00045	BOLT 1/4-20 X 4"
181	3225000F	BELT TIGHTENER ANGLE
191	B1393023	NUT / LOCK .25-20
201	0130F00037	PRIMARY LIMIT - GRAY 150° (M10, M11, M12, M13, M14, M15, M16, M17, M18, M19)
201	20162905	PRIMARY LIMIT-YELLOW (M1, M2, M3, M4, M5, M6, M7, M8, M9, M20, M21, M22, M23, M24, M25, M26, M27, M28, M29, M30)
NS	1864703	BLOWER CUT-OFF ASM,5TON,MORRIS
NS	B1398603	STEEL KEY (000158812) 4.5"

Expanded Model Nomenclature

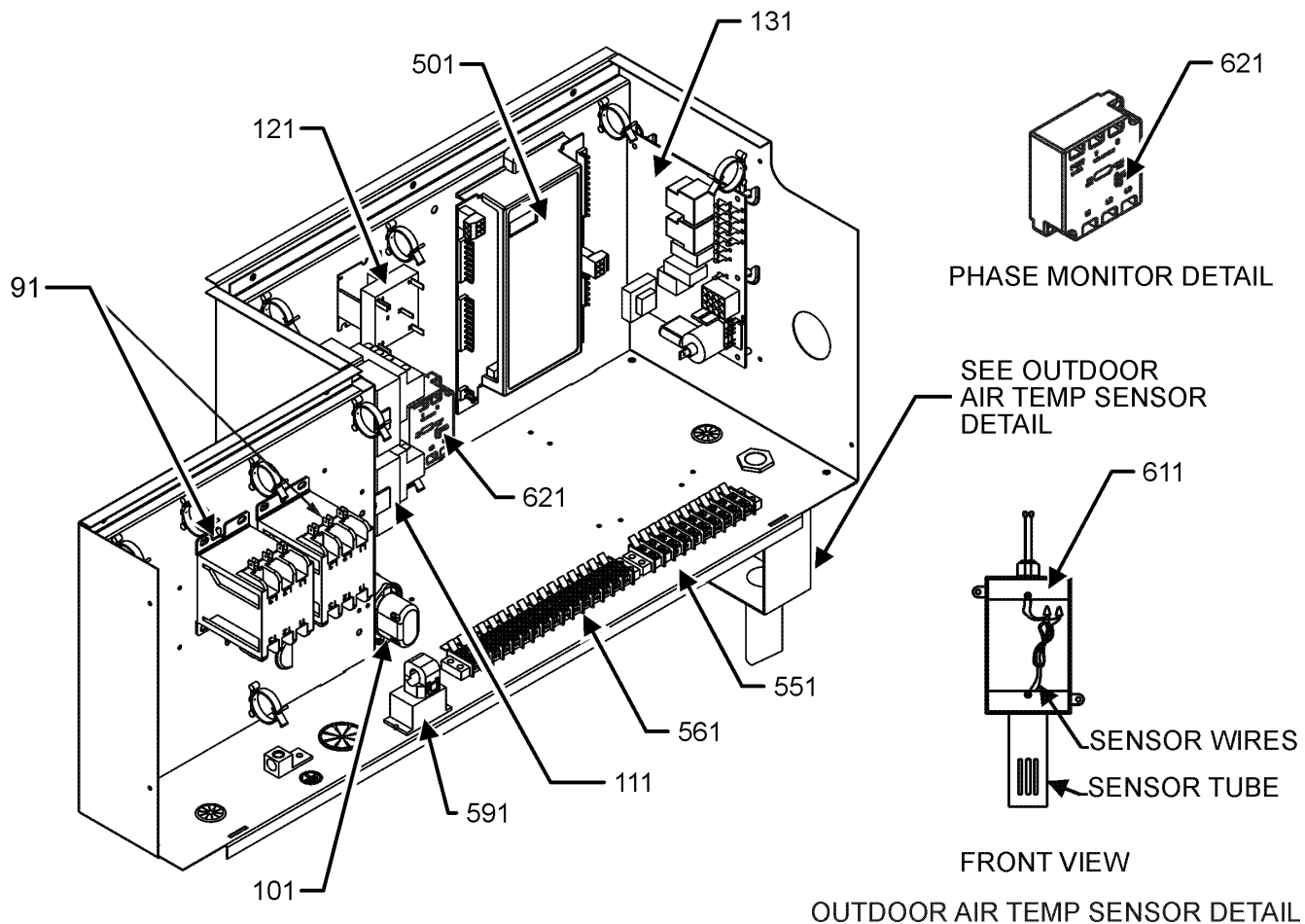
M1 - DSG0600903HFXXAA
M2 - DSG0600903HHDBAA
M3 - DSG0600903HWXCAA
M4 - DSG0600904HHXXAA
M5 - DSG0600904HWSBAA
M6 - DSG0600904HWXCAA
M7 - DSG0600904HWXDAA
M8 - DSG0600904HXXCAA
M9 - DSG0600904HXXXAA
M10 - DSG0601153HMSNAA
M11 - DSG0601153HRKBAA
M12 - DSG0601153HRSNAA
M13 - DSG0601153HWDXAA
M14 - DSG0601153HWJBAA
M15 - DSG0601153HWXBAA
M16 - DSG0601153HWXNAA
M17 - DSG0601153HXDVAA
M18 - DSG0601154HHXGAA
M19 - DSG0601154HVXXAA
M20 - DSG0601403HAXBAA
M21 - DSG0601403HWXNAA
M22 - DSG0601404HHXXAA
M23 - DSG0601404HRLMAA
M24 - DSG0601404HVXXAA
M25 - DSG0601404HWDOAA
M26 - DSG0601404HWXBAA
M27 - DSG0601404HWXXAA
M28 - DSG0601407HHDAAA
M29 - DSG0601407HVXXAA
M30 - DSG0601407HXXXAA

Control Box Assembly

CONTROL BOX ASSEMBLY



CONTROL BOX FOR MODELS WITH DDC CONTROL/PHASE MONITOR

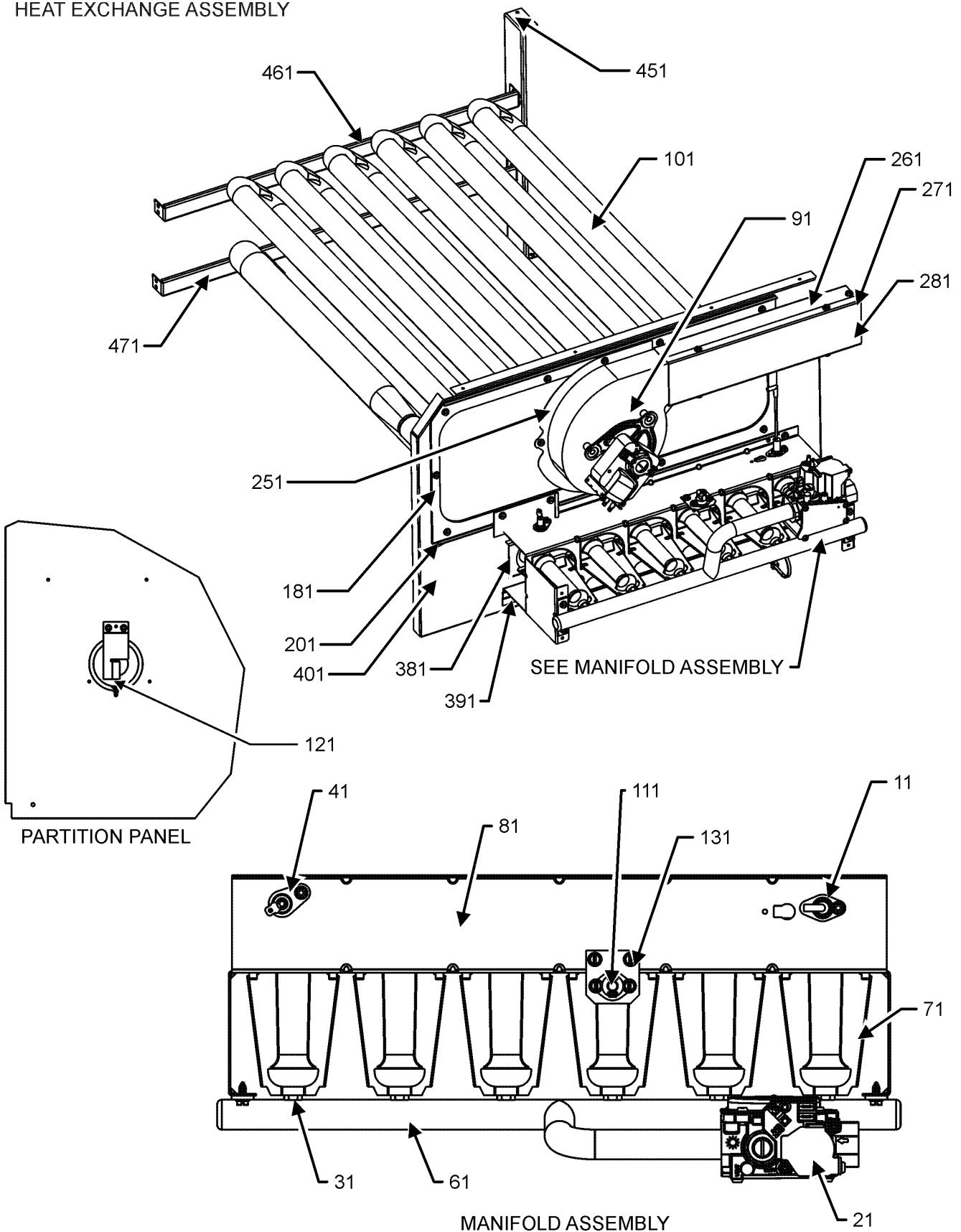


Control Box Assembly

Ref. Part No:	Ref. Part No:	Description:	Description:
Image 1:		Image 1:	
91	CONT3P025024V	CONTACTOR 25 AMP, 3P, 24V (M4, M5, M6, M7, M8, M9, M18, M19, M22, M23, M24, M25, M26, M27, M28, M29, M30)	NS 0259L00071 WIRING HARNESS (M6, M8)
91	CONT3P030024V	CONTACTOR 30 AMP, 3P, 24V (M1, M2, M3, M10, M11, M12, M13, M14, M15, M16, M17, M20, M21)	Expanded Model Nomenclature M1 - DSG0600903HFXXAA M2 - DSG0600903HHDBAA M3 - DSG0600903HWXCAA M4 - DSG0600904HHXXAA M5 - DSG0600904HWSBAA M6 - DSG0600904HWXCAA M7 - DSG0600904HWXDAA M8 - DSG0600904HXXCAA M9 - DSG0600904HXXXAA M10 - DSG0601153HMSNAA M11 - DSG0601153HRKBAA M12 - DSG0601153HRSNAA M13 - DSG0601153HWDXAA M14 - DSG0601153HWJBAA M15 - DSG0601153HWXBAA M16 - DSG0601153HWXNAA M17 - DSG0601153HXDVAA M18 - DSG0601154HHXGAA M19 - DSG0601154HVXXAA M20 - DSG0601403HAXBAA M21 - DSG0601403HWXNAA M22 - DSG0601404HHXXAA M23 - DSG0601404HRLMAA M24 - DSG0601404HVXXAA M25 - DSG0601404HWDOAA M26 - DSG0601404HWXBAA M27 - DSG0601404HWXXAA M28 - DSG0601407HHDAAA M29 - DSG0601407HVXXAA M30 - DSG0601407HXXXAA
101	CAP100000440LA	CAP 10 MFD/440V/OVAL (M2, M13, M14, M15, M16, M20, M21)	
101	CAP100000370LA	CAPACITOR 10/370V (M1, M10, M11, M12)	
101	CAP050000370LA	CAPACITOR 5/370V (M3, M6, M8, M17)	
101	CAP050000440LA	CAPACITOR 5/440V (M4, M5, M7, M9, M18, M19, M22, M24, M25, M26, M27, M28, M29, M30)	
101	CAP075000370LA	CAPACITOR 7.5/370V (M23)	
111	0130M00138	TRANSFORMER, 208/230, 24V (M1, M2, M3, M10, M11, M12, M13, M14, M15, M16, M17, M20, M21)	
111	0130M00595	TRANSFORMER, 75VA, 480V TO 24V (M4, M5, M6, M7, M8, M9, M18, M19, M22, M23, M24, M25, M26, M27)	
111	0130M00598	TRANSFORMER, 75VA, 575V TO 24V (M28, M29, M30)	
121	0130M00025	RELAY, SPDT	
131	PCBAG123	PCB, IGNITION, DSI	
141	0130M00038	TERMINAL BOARD	
151	0130M00596	TRANS, 150VA, 480V TO 230V (M4, M5, M6, M7, M8, M9, M18, M19, M22, M23, M24, M25, M26, M27)	
151	0130M00597	TRANS, 150VA, 575V TO 230V (M28, M29, M30)	
501	PCBCG103	PCB, CONTROL, HP, GAS ,AC (M1, M10, M11, M12, M23)	
551	0130M00274	TERMINAL BOARD (M1, M10, M11, M12, M23)	
561	0130M00275	TERMINAL BOARD (M1, M10, M11, M12, M23)	
591	0259L00368	CURRENT SWITCH WITH TERMS (M1, M10, M11, M12, M23)	
611	0130L00108	OD Air Temp Sensor (M1, M10, M11, M12, M23)	
621	0130L00105	PHASE MONITOR (M14, M23)	
NS	20520901	CAPACITOR STRAP	
NS	0259L00074	CONTROL HARNESS (M1, M2, M3, M10, M11, M12, M13, M14, M15, M16, M17, M20, M21)	
NS	0259L00075	CONTROL HARNESS (M4, M5, M6, M7, M8, M9, M18, M19, M22, M23, M24, M25, M26, M27, M28, M29, M30)	
NS	0121L01468	CONTROL, PH MON BOX (M14, M23)	
NS	0121L01467	CONTROL, PH MON LID (M14, M23)	
NS	0130L00112	Duct Temp Sensor (M1, M10, M11, M12, M23)	
NS	0259L00179	HARNESS, ECONOMIZER	
NS	0259L00054	HARNESS, WIRING	
NS	0259L00125	HARNESS, WIRING	
NS	0259L00092	HARNESS-SMOKE DETECTOR SENSOR (M25)	
NS	0130L00107	ROOM SENSOR (M1, M10, M11, M12, M23)	
NS	0259L00427	WIRE ASSY (M14, M23)	
NS	0259L00428	WIRE ASSY (M14, M23)	
NS	0259L00500	WIRE HARNESS (M10, M12)	
NS	0259L00090	WIRE HARNESS-SMOKE DETECTOR (M7, M16, M17, M18, M21, M25)	
NS	0259L00065	WIRING HARNESS	
NS	0259L00069	WIRING HARNESS	

Heat Exchanger Assembly

HEAT EXCHANGE ASSEMBLY



Heat Exchanger Assembly

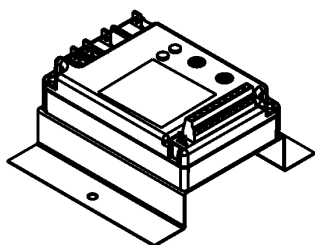
Ref. Part No:	Ref. Part No:	Description:	Description:	
Image 1:		Image 1:		
11	20261709	IGNITOR	401 0121L00268	
21	0151F00000P	GAS VALVE	RETAINER-BURNER ASSY (M10, M11, M12, M13, M14, M15, M16, M17, M18, M19, M20, M21, M22, M23, M24, M25, M26, M27, M28, M29, M30)	
31	0163F00018	ORIFICE (QTY 4)	451 0121L02618	
41	0130F00010	FLAME SENSOR	SUPPORT, HEAT EXCHANGER	
61	0163L00026	MANIFOLD-GAS 4 BURNER (M1, M2, M3, M4, M5, M6, M7, M8, M9)	461 0121L01576	
61	0163L00029	MANIFOLD-GAS, 5 BURNER (M10, M11, M12, M13, M14, M15, M16, M17, M18, M19)	SUPPORT BRACKET	
61	0163L00025	MANIFOLD-GAS, 6 BURNER (M20, M21, M22, M23, M24, M25, M26, M27, M28, M29, M30)	471 0121L02617	
71	10735102	BECKETT BURNER (QTY 4)	SUPPORT BRACKET	
81	20190412	BURNER BRACKET 4B (M1, M2, M3, M4, M5, M6, M7, M8, M9)	NS A3468601	
81	20190413	BURNER BRACKET 5B (M10, M11, M12, M13, M14, M15, M16, M17, M18, M19)	PRESSURE SWITCH HOSE	
81	0121F00145	BURNER BRACKET 6B (M20, M21, M22, M23, M24, M25, M26, M27, M28, M29, M30)	Expanded Model Nomenclature	
91	0131M00121	BLOWER-ID COMBUSTION	M1 - DSG0600903HFXXAA	
101	0270L00092	PART/TUBE ASSY 4B (M1, M2, M3, M4, M6, M7, M8, M9)	M2 - DSG0600903HHDBAA	
101	0270L00110	PART/TUBE ASSY 5B (M13, M15, M16, M17, M18, M19)	M3 - DSG0600903HWXCAA	
101	0270L00111	PART/TUBE ASSY 5B (M10, M11, M12, M14)	M4 - DSG0600904HHXXAA	
101	0270L00072	PART/TUBE ASSY 6B (M20, M21, M22, M24, M25, M26, M27, M28, M29, M30)	M5 - DSG0600904HWSBAA	
101	0270L00104	PART/TUBE ASSY 6B (M23)	M6 - DSG0600904HWXCAA	
101	0270L00105	PART/TUBE ASSY, 4B (M5)	M7 - DSG0600904HWXDAA	
111	10123532	MANUAL RESET LIMIT 350°F	M8 - DSG0600904HXXCAA	
121	11112501	PRESSURE SWITCH	M9 - DSG0600904HXXXAA	
131	0121L00053	BRACKET-FLAME ROLLOUT	M10 - DSG0601153HMSNAA	
181	0154L00018	ID BLOWER PLATE GASKET 4 BRNR (M1, M2, M3, M4, M5, M6, M7, M8, M9)	M11 - DSG0601153HRKBAA	
181	0154L00017	ID BLOWER PLATE GASKET 6 BRNR (M10, M11, M12, M13, M14, M15, M16, M17, M18, M19, M20, M21, M22, M23, M24, M25, M26, M27, M28, M29, M30)	M12 - DSG0601153HRSNAA	
201	0121L00241	ID BLOWER PLATE (M20, M21, M22, M23, M24, M25, M26, M27, M28, M29, M30)	M13 - DSG0601153HWDXAA	
201	0121L00284	ID BLOWER PLATE 4 BRNR (M1, M2, M3, M4, M5, M6, M7, M8, M9)	M14 - DSG0601153HWJBAA	
201	0121L00318	ID BLOWER PLATE 6 BRNR (M10, M11, M12, M13, M14, M15, M16, M17, M18, M19)	M15 - DSG0601153HWXBAA	
251	0154L00020	GASKET-ID BLOWER	M16 - DSG0601153HWXNAA	
261	0121L00277	FLUE-CHANNEL	M17 - DSG0601153HXDVAA	
271	0121L00278	FLUE-SIDE COVER	M18 - DSG0601154HHXGAA	
281	0163L00072	SCREEN-FLUE	M19 - DSG0601154HVXXAA	
381	11072203	ORIFICE SHIELD (M1, M2, M3, M4, M5, M6, M7, M8, M9)	M20 - DSG0601403HAXBAA	
381	11072204	ORIFICE SHIELD (M10, M11, M12, M13, M14, M15, M16, M17, M18, M19)	M21 - DSG0601403HWXNAA	
381	11072205	ORIFICE SHIELD (M20, M21, M22, M23, M24, M25, M26, M27, M28, M29, M30)	M22 - DSG0601404HHXXAA	
391	0121L00267	BRACKET-BURNER SLIDE	M23 - DSG0601404HRLMAA	
			M24 - DSG0601404HVXXAA	
			M25 - DSG0601404HWDOAA	
			M26 - DSG0601404HWXBAA	
			M27 - DSG0601404HWXXAA	
			M28 - DSG0601407HHDAAA	
			M29 - DSG0601407HVXXAA	
			M30 - DSG0601407HXXXAA	

Accessory Part List

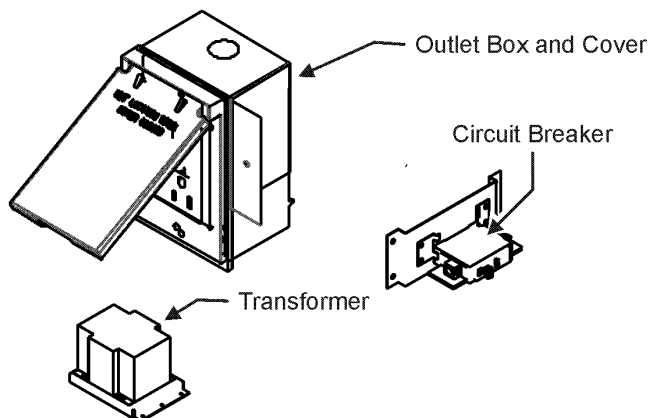
ACCESSORY PARTS LIST

NOTE: NOT ALL OPTIONS AVAILABLE FOR ALL PRODUCTS

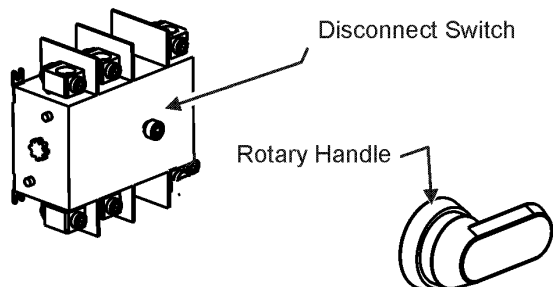
1 LOW AMBIENT KITS



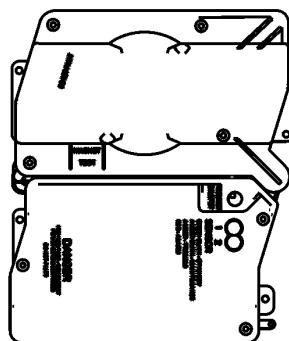
2 GFCI CONVENIENCE OUTLET



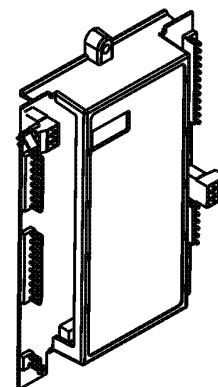
3 DISCONNECT MODULE (NON-FUSED)



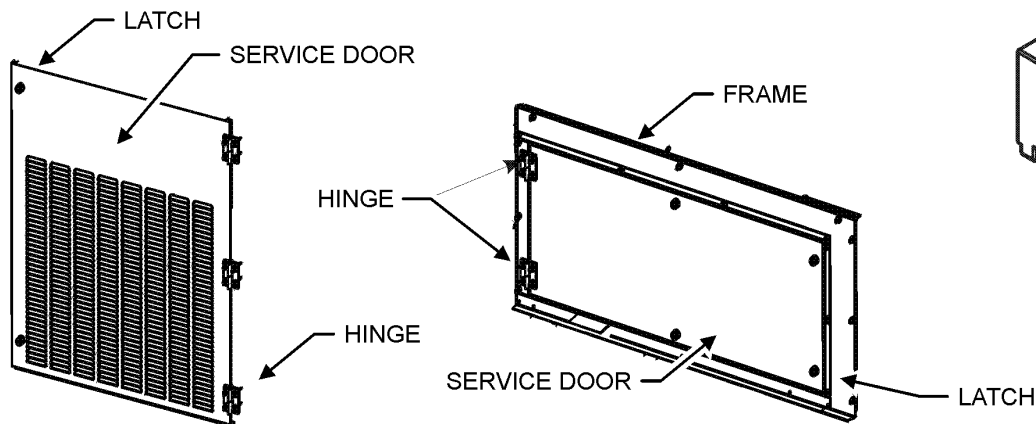
4 SMOKE DETECTORS



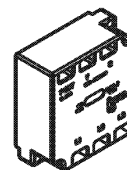
5 DDC CONTROL



6 HINGED DOOR ASSEMBLIES



7 PHASE MONITOR



Accessory Part List

Ref. Part No:	Description:	Ref. Part No:	Description:
Image 1:		Image 1:	
NS 1036609C	3-6 TON DFLOW ECONOMIZER (M20)	NS 0130L00046	SWITCH-DISCONNECT 60A (M2, M3, M4, M5, M6, M7, M10, M11, M12, M13, M14, M15, M16, M18, M21, M22, M23, M25, M26, M27, M28)
NS DDNECNJ3672C	3-6 TON DFLOW ECONOMIZER (M3, M5, M6, M7, M13, M14, M15, M16, M19, M21, M24, M25, M26, M27, M29)	NS 0130M00061	TRANSFORMER, CONVENIENCE OUTLET (M2, M5, M10, M11, M12, M14, M15, M16, M20, M21, M23, M25, M26)
NS 10366D09C	3-6 TON DFLOW ECONOMIZER, DDC (M1, M11, M12, M23)	Expanded Model Nomenclature	
NS 0121L01934	BRACKET SMOKE DETECTOR (M7, M10, M12, M16, M17, M18, M21, M25)	<div style="border: 1px solid black; padding: 5px;"> M1 - DSG0600903HFXAA M2 - DSG0600903HHDBAA M3 - DSG0600903HWXCAA M4 - DSG0600904HHXXAA M5 - DSG0600904HWSBAA M6 - DSG0600904HWXCAA M7 - DSG0600904HWXDAA M8 - DSG0600904HXXCAA M9 - DSG0600904HXXXAA M10 - DSG0601153HMSNAA M11 - DSG0601153HRKBAA M12 - DSG0601153HRSNAA M13 - DSG0601153HWDXAA M14 - DSG0601153HWJBAA M15 - DSG0601153HWXBAA M16 - DSG0601153HWXNAA M17 - DSG0601153HXDVAA M18 - DSG0601154HHXGAA M19 - DSG0601154HVXXAA M20 - DSG0601403HAXBAA M21 - DSG0601403HWXNAA M22 - DSG0601404HHXXAA M23 - DSG0601404HRLMAA M24 - DSG0601404HVXXAA M25 - DSG0601404HWDOAA M26 - DSG0601404HWXBAA M27 - DSG0601404HWXXAA M28 - DSG0601407HHDAAA M29 - DSG0601407HVXXAA M30 - DSG0601407HXXXAA </div>	
NS 0121L00316	BRACKET-CONV OUTLET MOUNT (M2, M5, M10, M11, M12, M14, M15, M16, M18, M20, M21, M23, M25, M26, M28)		
NS 0121L00835	BRACKET-DISCONNECT SWITCH (M2, M3, M4, M5, M6, M7, M10, M11, M12, M13, M14, M15, M16, M18, M21, M22, M23, M25, M26, M27, M28)		
NS 0130M00065	CIRCUIT BREAKER, CONVENIENCE OUTLET (M2, M5, M10, M11, M12, M14, M15, M16, M20, M21, M23, M25, M26)		
NS 0121L00837NG	DISCONNECT COVER (M2, M3, M4, M5, M6, M7, M10, M11, M12, M13, M14, M15, M16, M18, M21, M22, M23, M25, M26, M27, M28)		
NS 0130L00012	GANG BOX-GFCI OUTLET (M2, M5, M10, M11, M12, M14, M15, M16, M18, M20, M21, M23, M25, M26, M28)		
NS 0130L00039	HANDLE, ROTARY (M2, M3, M4, M5, M6, M7, M10, M11, M12, M13, M14, M15, M16, M18, M21, M22, M23, M25, M26, M27, M28)		
NS 0163M00307	HINGE, LEFT HAND (M2, M11, M13, M17, M23, M25, M28)		
NS 0163M00308	HINGE, RIGHT HAND (M2, M11, M13, M17, M23, M25, M28)		
NS 0163M00360	LATCH (M2, M11, M13, M17, M23, M25, M28)		
NS 0130M00058	LOW AMBIENT KIT (M3, M6, M8, M17, M23)		
NS 0121L02509NG	PNT, BLOWER FRAME (M2, M11, M13, M17, M23, M25, M28)		
NS 0161G00012	POWER OUTLET BOX (M2, M5, M10, M11, M12, M14, M15, M16, M18, M20, M21, M23, M25, M26, M28)		
NS 0130L00103	RECEPTACLE-GFCI OUTLET (M2, M5, M10, M11, M12, M14, M15, M16, M18, M20, M21, M23, M25, M26, M28)		
NS 0121L02527NG	SERVICE DOOR BACK, BLOWER (M2, M11, M13, M17, M23, M25, M28)		
NS 0121L02526NG	SERVICE DOOR FRONT, BLOWER (M2, M11, M13, M17, M23, M25, M28)		
NS 0130L00042	SHAFT, CUT (M2, M3, M4, M5, M6, M7, M10, M11, M12, M13, M14, M15, M16, M18, M21, M22, M23, M25, M26, M27, M28)		
NS 0130L00049	SHAFT, DISCONNECT (M2, M3, M4, M5, M6, M7, M10, M11, M12, M13, M14, M15, M16, M18, M21, M22, M23, M25, M26, M27, M28)		
NS D4120	SMOKE DETECTOR, PHOTO 4WIRE (M7, M10, M12, M16, M17, M18, M21, M25)		
NS D4S	SMOKE DETECTOR, SENSOR ONLY (M25)		