

## Commercial 4 Ton Direct Drive Package Gas Units

DSG0480901DVDXAA  
DSG0480901DVXXAA  
DSG0480901DXSXAA  
DSG0480901DXXXAA  
DSG0480903DHDCAA  
DSG0480903DHSXAA  
DSG0480903DHXAAA  
DSG0480903DHXXAA  
DSG0480903DJXCAA  
DSG0480903DVDBAA  
DSG0480903DXDZAA  
DSG0480903DXXBAA  
DSG0480903DXXXAA  
DSG0481151DBXXAA  
DSG0481151DXXXAA  
DSG0481153DHDAAA  
DSG0481153DWDBAA  
DSG0481153DXSXAA  
DSG0481153DXXXAA



This manual is to be used by qualified technicians only.

This manual replaces RP-D1123G.

# Important Information

---

## Index

Functional Parts List .....	3
Illustration and Parts .....	4 - 17

*Views shown are for parts illustrations only, not servicing procedures*

### Text Codes:

AR - As Required

NA - Not Available

NS - Not Shown

00000000 - See Note

QTY - Quantity Example (QTY 3) (If Quantity not shown, Quantity = 1)

M - Model Example (M1) (If M Code not shown, then part is used on all Models)

### Expanded Model Nomenclature:

Example M1 - Model#1 M2 - Model#2 M3 - Model#3
---

Daikin Company, L.P. is not responsible for personal injury or property damage resulting from improper service. Review all service information before beginning repairs.

Warranty service must be performed by an authorized technician, using authorized factory parts. If service is required after the warranty expires, Daikin Company, L.P. also recommends contacting an authorized technician and using authorized factory parts.

Daikin Company, L.P. reserves the right to discontinue, or change at any time, specifications or designs without notice or without incurring obligations.

For assistance within the U.S.A. contact:

Equipment Support  
Daikin North America, LLC  
19001 Kermier Road  
Waller, Texas 77484  
855-770-5678-Telephone  
713-863-2382-Facsimile

For assistance outside the U.S.A. contact:

International Division  
Daikin North America, LLC  
19001 Kermier Road  
Waller, Texas 77484  
713-861-2500-Telephone  
713-863-2382-Facsimile

# Functional Parts

**Part No:**            **Description:**

Part No:	Description:	Expanded Model Nomenclature
B1370155	AUXILIARY LIMIT SWITCH, 120 (M5, M6, M7, M8, M9, M10, M11, M12, M13)	M1 - DSG0480901DVDXAA
20269903	AUXILIARY LIMIT, AUTO RESET	M2 - DSG0480901DVXXAA
0163F00017	BECKETT BURNER (M1, M2, M3, M4, M14, M15)	M3 - DSG0480901DXSXAA
10735102	BECKETT BURNER (M5, M6, M7, M8, M9, M10, M11, M12, M13, M16, M17, M18, M19)	M4 - DSG0480901DXXXAA
D6723303	BLOWER WHEEL	M5 - DSG0480903DHDCAA
CAP200000440CP	CAP, 20 MFD/440V/ RD	M6 - DSG0480903DHSXAA
CAP050000370LA	CAPACITOR 5/370V (M5, M6, M7, M8, M9, M10, M11, M12, M13, M16, M17, M18, M19)	M7 - DSG0480903DHXAAA
CAP050450440CT	CAPACITOR 5/45/440V/DUAL RD (M1, M2, M3, M4, M14, M15)	M8 - DSG0480903DHXXAA
ZP39K5ETF5130	COMPRESSOR 39000, 200/230/60/3 (M5, M6, M7, M8, M9, M10, M11, M12, M13, M16, M17, M18, M19)	M9 - DSG0480903DJXCAA
ZP39K5EPFV130	COMPRESSOR 39000, 208/230/60/1 (M1, M2, M3, M4, M14, M15)	M10 - DSG0480903DVDBAA
CONT2P040024V	CONT, 2 POLE, 40 AMP, 24 VAC (M14)	M11 - DSG0480903DXDZAA
CONT3P025024V	CONTACTOR 25 AMP, 3P, 24V (M5, M6, M7, M8, M9, M10, M11, M12, M13, M16, M17, M18, M19)	M12 - DSG0480903DXXBAA
CONT1P030024V	CONTACTOR 30 AMP, 1P, 24V (M1, M2, M3, M4, M15)	M13 - DSG0480903DXXXAA
0130M00074	CUT-OUT SWITCH, HIGH PRESSURE	M14 - DSG0481151DBXXAA
0130M00087	CUT-OUT SWITCH, LOW PRESSURE	M15 - DSG0481151DXXXAA
0150G00004	FAN BLADE	M16 - DSG0481153DHDAAA
0130F00010	FLAME SENSOR	M17 - DSG0481153DWDCAA
0151F00000P	GAS VALVE - WHITE-RODGERS 2-STAGE	M18 - DSG0481153DXSXAA
PCBAG123	IGNITION BOARD, DSI INTEGRATED	M19 - DSG0481153DXXXAA
20261709	IGNITOR	
0130F00105	LIMIT SWITCH (M1, M2, M3, M4)	
10123532	LIMIT-RESET MAN-GRAY	
0131M00847	MOTOR, 1/4 HP, 1 SP, 6 PL (M1, M2, M3, M4, M6, M7, M8, M10, M11, M12, M13, M14, M15, M16, M17, M18, M19)	
0131L00061	MOTOR, 1/4 HP, 1SP, 6PL (M5, M9)	
0131M00826	MOTOR, 3/4 HP PEP	
11112501	PRESSURE SWITCH	
0130M00063	PRIMARY LIMIT - GOLD 140° (M14, M15)	
20162904	PRIMARY LIMIT-TEMPERATURE CONTROL (M16, M17, M18, M19)	
0130M00138	TRANSFORMER 208/230, 24V	

# Top Panel and Tubing Assembly

IMAGE 1

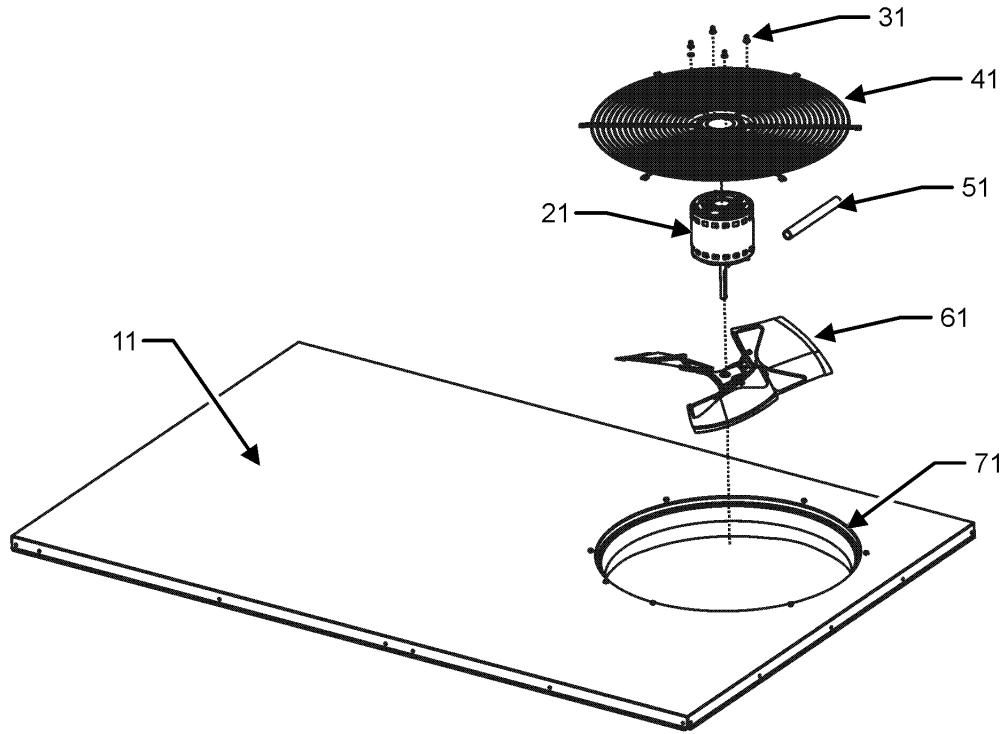
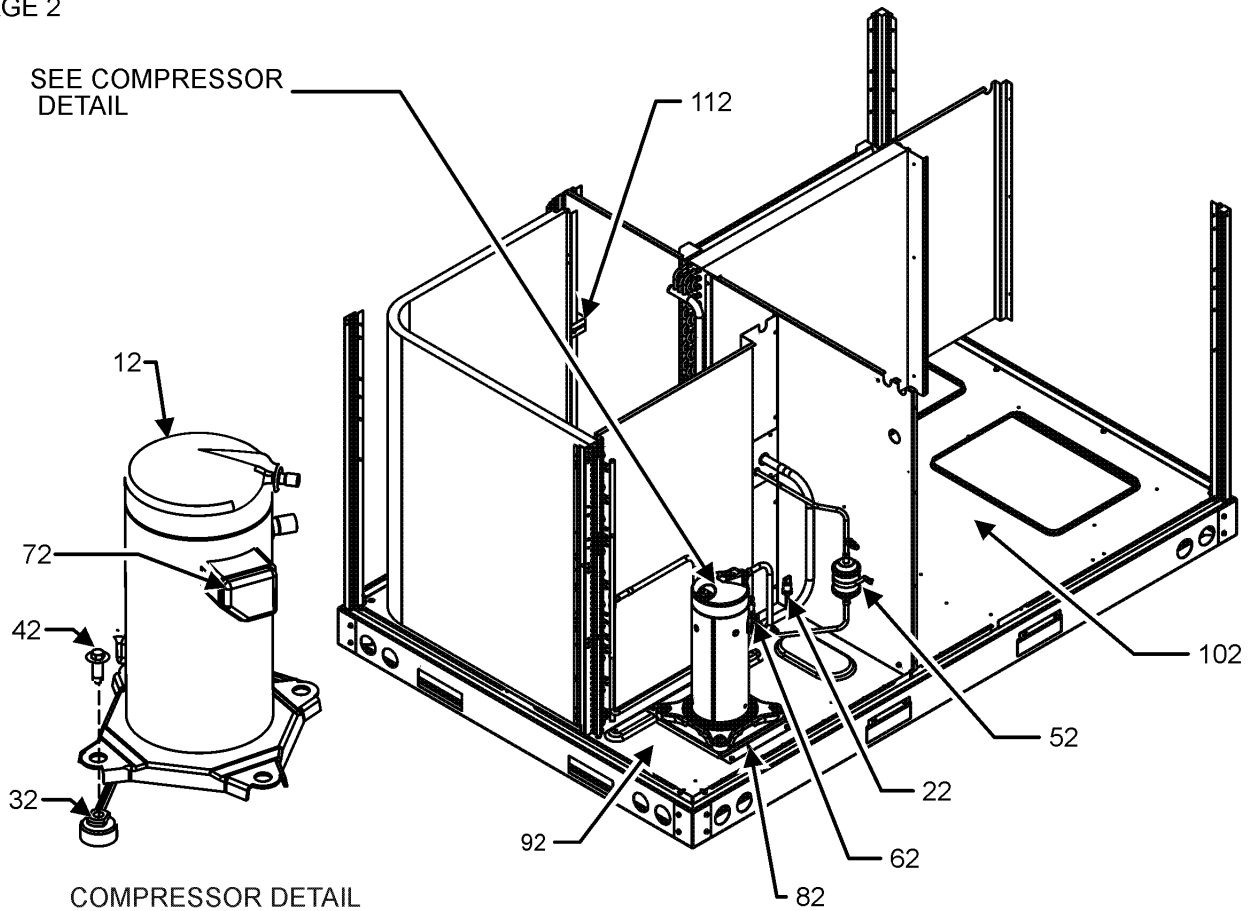


IMAGE 2



# Top Panel and Tubing Assembly

Ref. Part No:	No:	Description:	Ref. Part No:	No:	Description:
<b>Image 1:</b>			<b>Expanded Model Nomenclature</b>		
11	0121L00235NG	TOP PANEL	M1	-	DSG0480901DVDXAA
21	0131M00847	MOTOR, 1/4 HP, 1 SP, 6 PL (M1, M2, M3, M4, M6, M7, M8, M10, M11, M12, M13, M14, M15, M16, M17, M18, M19)	M2	-	DSG0480901DVXXAA
21	0131L00061	MOTOR, 1/4 HP, 1SP, 6PL (M5, M9)	M3	-	DSG0480901DXSXAA
31	0163M00006P	ACORN NUT 5/16 HEX BLACK (QTY 4)	M4	-	DSG0480901DXXXAA
41	0152G00003	FAN GRILLE (M1, M2, M3, M4, M6, M7, M8, M10, M11, M12, M13, M14, M15, M16, M17, M18, M19)	M5	-	DSG0480903DHDCAA
41	0152G00000	FAN GRILLE, RAISED (M5, M9)	M6	-	DSG0480903DHSXAA
51	0161R00003P	CONDUIT	M7	-	DSG0480903DHXAAA
61	0150G00004	FAN BLADE	M8	-	DSG0480903DHXXAA
71	0161L00000	VENTURI RING 22"	M9	-	DSG0480903DJXCAA
NS	0163M00004	SCREW #10X3/4", BLACK (QTY 8)	M10	-	DSG0480903DVDBAA
NS	0163M00005P	WASHER, BLACK (.50 OD .218ID) (QTY 4)	M11	-	DSG0480903DXDZAA
<b>Image 2:</b>			M12	-	DSG0480903DXXBAA
12	ZP39K5ETF5130	COMPRESSOR 39000, 200/230/60/3 (M5, M6, M7, M8, M9, M10, M11, M12, M13, M16, M17, M18, M19)	M13	-	DSG0480903DXXXAA
12	ZP39K5EPFV130	COMPRESSOR 39000, 208/230/60/1 (M1, M2, M3, M4, M14, M15)	M14	-	DSG0481151DBXXAA
22	0130M00087	CUT-OUT SWITCH, LOW PRESSURE	M15	-	DSG0481151DXXXAA
32	B1339533	COMPRESSOR GROMMET (QTY 4)	M16	-	DSG0481153DHDAAA
42	M0221641	TF SHOULDER SCREW (QTY 4)	M17	-	DSG0481153DWBAA
52	0162R00009	FILTER DRIER	M18	-	DSG0481153DXSXAA
62	0130M00074	CUT-OUT SWITCH, HIGH PRESSURE	M19	-	DSG0481153DXXXAA
72	0159L00027	COMPRESSOR SCROLL HARNESS (M1, M2, M3, M4, M14, M15)			
72	0159L00065	COMPRESSOR SCROLL HARNESS (M5, M6, M7, M8, M9, M10, M11, M12, M13, M16, M17, M18, M19)			
82	0121L00310	COMPRESSOR MOUNTING PLATE			
92	0121L01990	BASE PAN, OUTDOOR			
102	0121L02619	BASE PAN, INDOOR			
112	0121L00936	BRACKET-HAIRPIN END			
NS	B1373315	ACCESS FITTING (QTY 2)			

# Cabinet Assembly

IMAGE 1

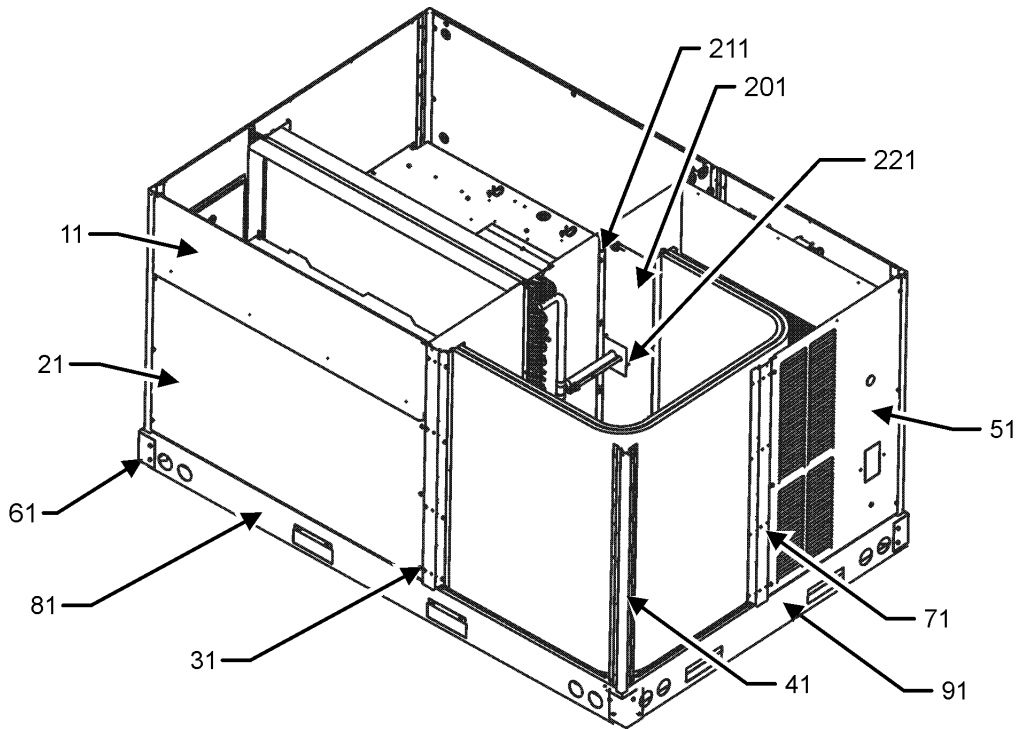
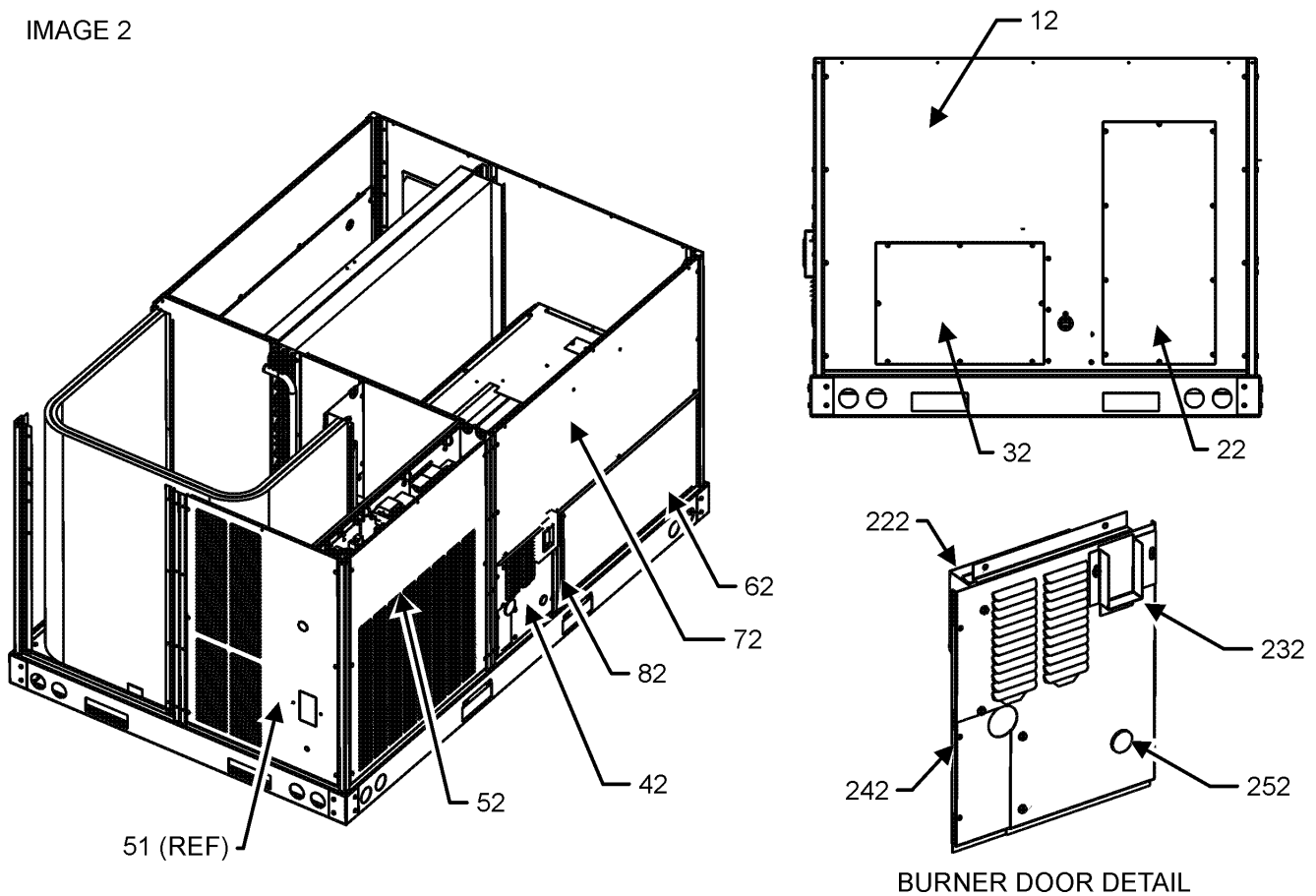


IMAGE 2



# Cabinet Assembly

## Ref. Part

No: No: Description:

### Image 1:

11	0270L00362NG	FILTER DOOR
21	0121L00976NG	ECONOMIZER DOOR (M1, M2, M3, M4, M5, M6, M7, M8, M10, M11, M12, M13, M14, M15, M16, M17, M18, M19)
31	0121L00233RFNG	POST-SIDE SUPPORT (QTY 4)
41	0121L00237RFNG	CORNER POST (QTY 2)
41	0121L02553RFNG	PNT, CORNER POST (M1, M5, M10, M11, M16, M17)
51	0121L00263NG	LOUVERED COMPRESSOR PANEL (M1, M2, M3, M4, M10, M11, M12, M13, M14, M15, M18, M19)
51	0121L00836NG	PNT, COMP LOUVER DISC PNL (M5, M6, M7, M8, M9, M16, M17)
61	0121G00301	RAIL CORNER BRACKET (QTY 4)
71	0121L01374RFNG	PNT, RL FMD SIDE POST SUPPORT (M1, M5, M10, M11, M16, M17)
71	0121L01159RFNG	POST-SIDE SUPPORT (M2, M3, M4, M6, M7, M8, M9, M12, M13, M14, M15, M18, M19)
81	0121L00244RF	RAIL-SIDE (QTY 2)
91	0121L00245	RAIL-END
201	0121L00882	BLOCKOFF-CONDENSER
211	0121L00254	COND MOUNTING ANGLE
221	0121L00939	CONDENSER BLOCKOFF PLATE
NS	0121L01309	ECONOMIZER COVER (M9)
NS	0164L00009	GASKET-RUBBER, CPOST (QTY 3)
NS	0164L00011	GASKET-RUBBER, SIDE POST (QTY 3)
NS	0121L02655	RAIL-END

### Image 2:

12	0121L00236NG	DUCT PANEL
22	0121L00023NG	RETURN DUCT COVER
32	0121L00024NG	SUPPLY DUCT COVER
42	0121L01438NG	BURNER DOOR
52	0121L01121NG	CONTROL PANEL W/LOUVERS (M2, M3, M4, M6, M7, M8, M9, M12, M13, M14, M15, M18, M19)
52	0121L02551NG	PNT, CONTROL DOOR (M1, M5, M10, M11, M16, M17)
62	0121L01108NG	HEAT EXCHANGER DOOR
72	0121L01157NG	BLOWER DOOR
82	0121L01110RFNG	POST-BURNER
222	0121L01439	RAIN SHIELD DOOR
232	0121L01440NG	FLUE COLLAR
242	0121L01441NG	BURNER DOOR PANEL
252	B1392139	VIEW PORT BU SHING, CLEAR 1.00
NS	0141L00003X	FORK BOARD (QTY 2)
NS	0121L00055	FORK BOARD BRACKET (QTY 4)
NS	B1910010	GAS LINE GROMMET

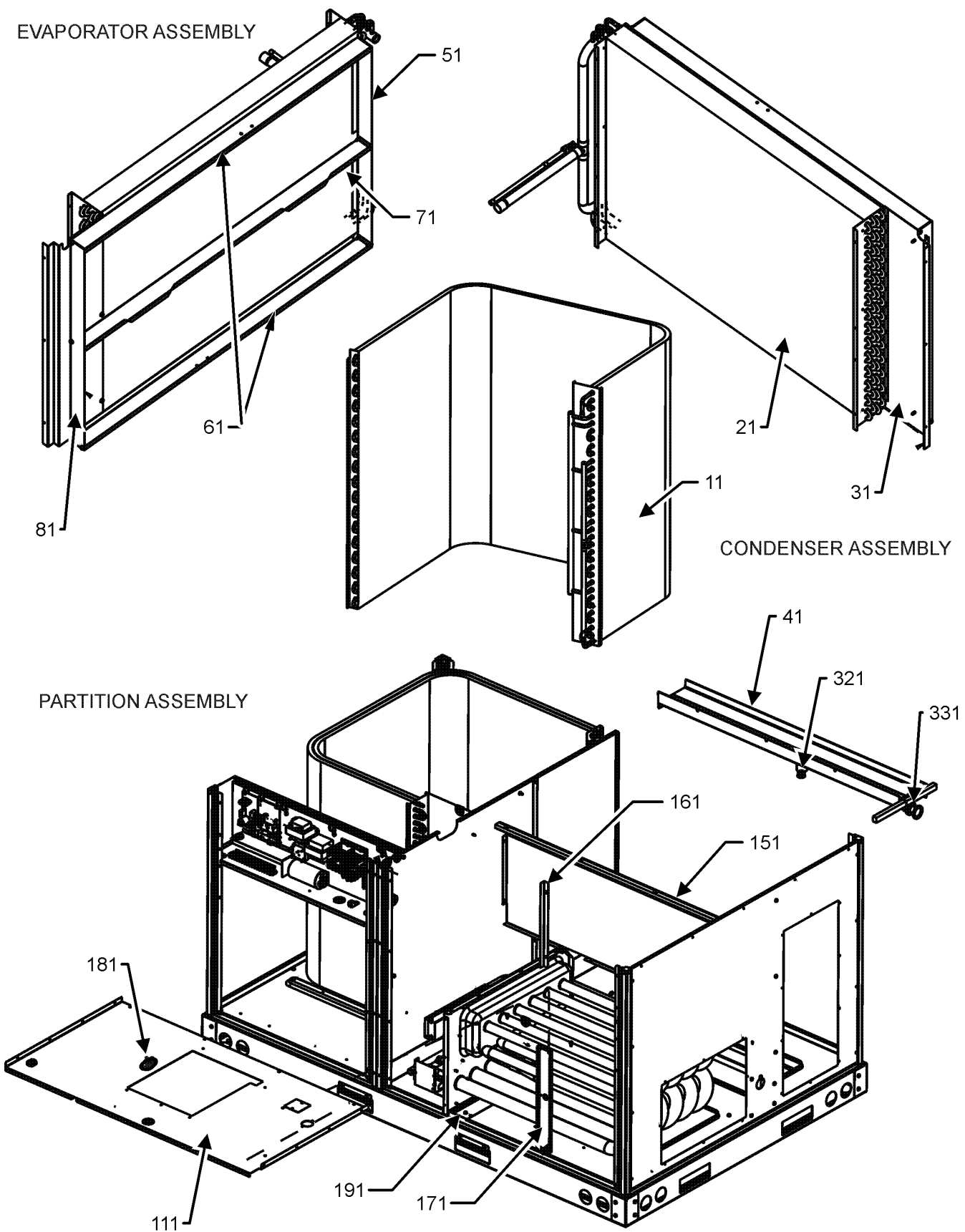
## Ref. Part

No: No: Description:

### Expanded Model Nomenclature

M1 - DSG0480901DVDXAA
M2 - DSG0480901DVXXAA
M3 - DSG0480901DXSXAA
M4 - DSG0480901DXXXAA
M5 - DSG0480903DHDCAA
M6 - DSG0480903DHSXAA
M7 - DSG0480903DHXAAA
M8 - DSG0480903DHXXAA
M9 - DSG0480903DJXCAA
M10 - DSG0480903DVDBAA
M11 - DSG0480903DXDZAA
M12 - DSG0480903DXXBAA
M13 - DSG0480903DXXXAA
M14 - DSG0481151DBXXAA
M15 - DSG0481151DXXXAA
M16 - DSG0481153DHDAAA
M17 - DSG0481153DWDBAA
M18 - DSG0481153DXSXAA
M19 - DSG0481153DXXXAA

# Condenser, Evaporator & Partition Panel



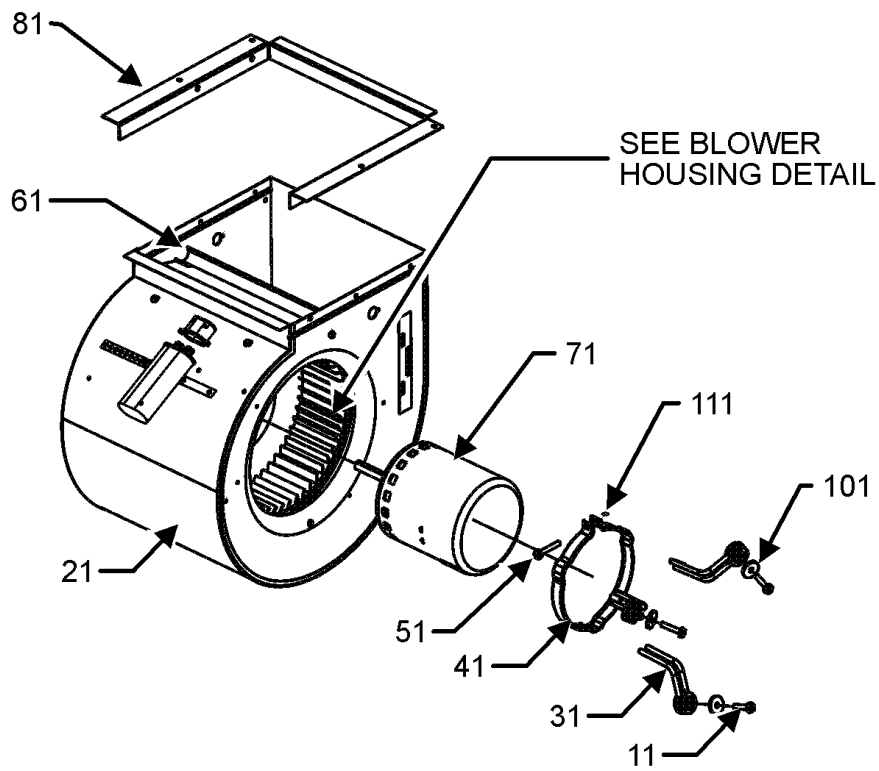
# Condenser, Evaporator & Partition Panel

Ref. Part No:	Part No:	Description:	Ref. Part No:	Part No:	Description:
<b>Image 1:</b>					
11	0201L00141	TUBING ASSY, COND COIL			
21	0202L00143	EVAPORATOR COIL TUBING ASSY (M1, M2, M3, M4, M5, M6, M7, M8, M9, M10, M11, M12, M13)			
21	0202L00163	EVAPORATOR COIL TUBING ASSY (M14, M15, M16, M17, M18, M19)			
31	0121L00252	BLOCKOFF-EVAPORATOR			
41	0161L00005	DRAIN PAN			
51	0121L00287	FILTER ANGLE-VERTICAL (RETURN SIDE)			
61	0121L00932	FILTER ANGLE-HORIZONTAL (QTY 2)			
71	0121L01255	ANGLE-FILTER CENTER			
81	0121L00303	FILTER ANGLE-VERTICAL (HAIRPIN SIDE)			
111	0121L03396	DECK-BLOWER			
151	0121L02123	CHANNEL-DECK SIDE			
161	0121L00293	BACK ANGLE-HEAT EXCHANGER (QTY 2)			
171	0121L00300	SUPPORT POST-DECK			
181	B1370155	AUXILIARY LIMIT SWITCH, 120 (M5, M6, M7, M8, M9, M10, M11, M12, M13)			
181	0130F00105	LIMIT SWITCH (M1, M2, M3, M4)			
181	0130M00063	PRIMARY LIMIT - GOLD 140° (M14, M15)			
181	20162904	PRIMARY LIMIT-TEMPERATURE CONTROL (M16, M17, M18, M19)			
191	0121L00266	HEAT PANEL CHANNEL (QTY 2)			
321	0163L00071	DRAIN PLUG			
331	0154L00009	GASKET-DRAIN PAN			
NS	0160L00173	AIR FILTER 14 X20 X2 (QTY 4)			
NS	0121L01377	BLOWER DECK SUPPORT (M1, M5, M10, M11, M16, M17)			
NS	0121L00238	DRAIN PAN SUPPORT			
NS	0121L00321	SMOKE DETECTOR COVER			

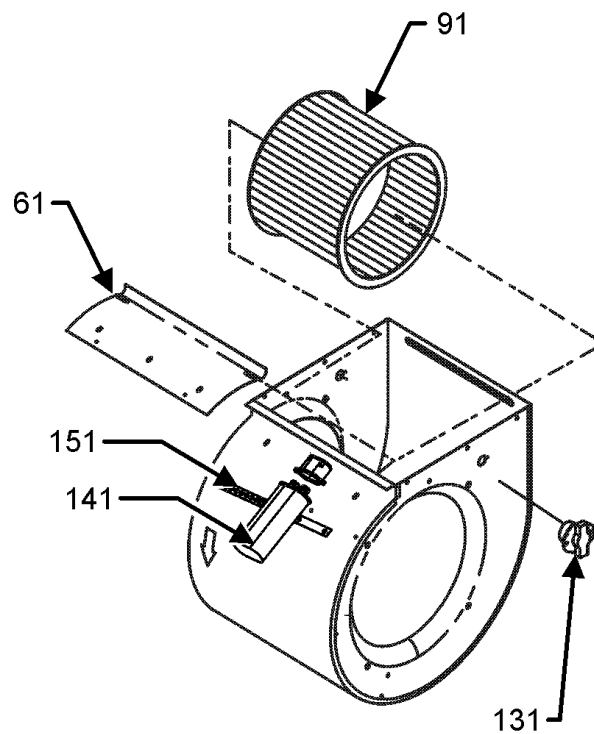
## Expanded Model Nomenclature

M1 - DSG0480901DVDXAA
M2 - DSG0480901DVXXAA
M3 - DSG0480901DXSXAA
M4 - DSG0480901DXXXAA
M5 - DSG0480903DHDCAA
M6 - DSG0480903DHSXAA
M7 - DSG0480903DHXAAA
M8 - DSG0480903DHXXAA
M9 - DSG0480903DJXCAA
M10 - DSG0480903DVDBAA
M11 - DSG0480903DXDZAA
M12 - DSG0480903DXXBAA
M13 - DSG0480903DXXXAA
M14 - DSG0481151DBXXAA
M15 - DSG0481151DXXXAA
M16 - DSG0481153DHDAAA
M17 - DSG0481153DWDBAA
M18 - DSG0481153DXSXAA
M19 - DSG0481153DXXXAA

# Control Box Assembly



SEE BLOWER HOUSING DETAIL



BLOWER HOUSING DETAIL

# Control Box Assembly

Ref. Part No:	Ref. Part No:	Description:	Description:
---------------	---------------	--------------	--------------

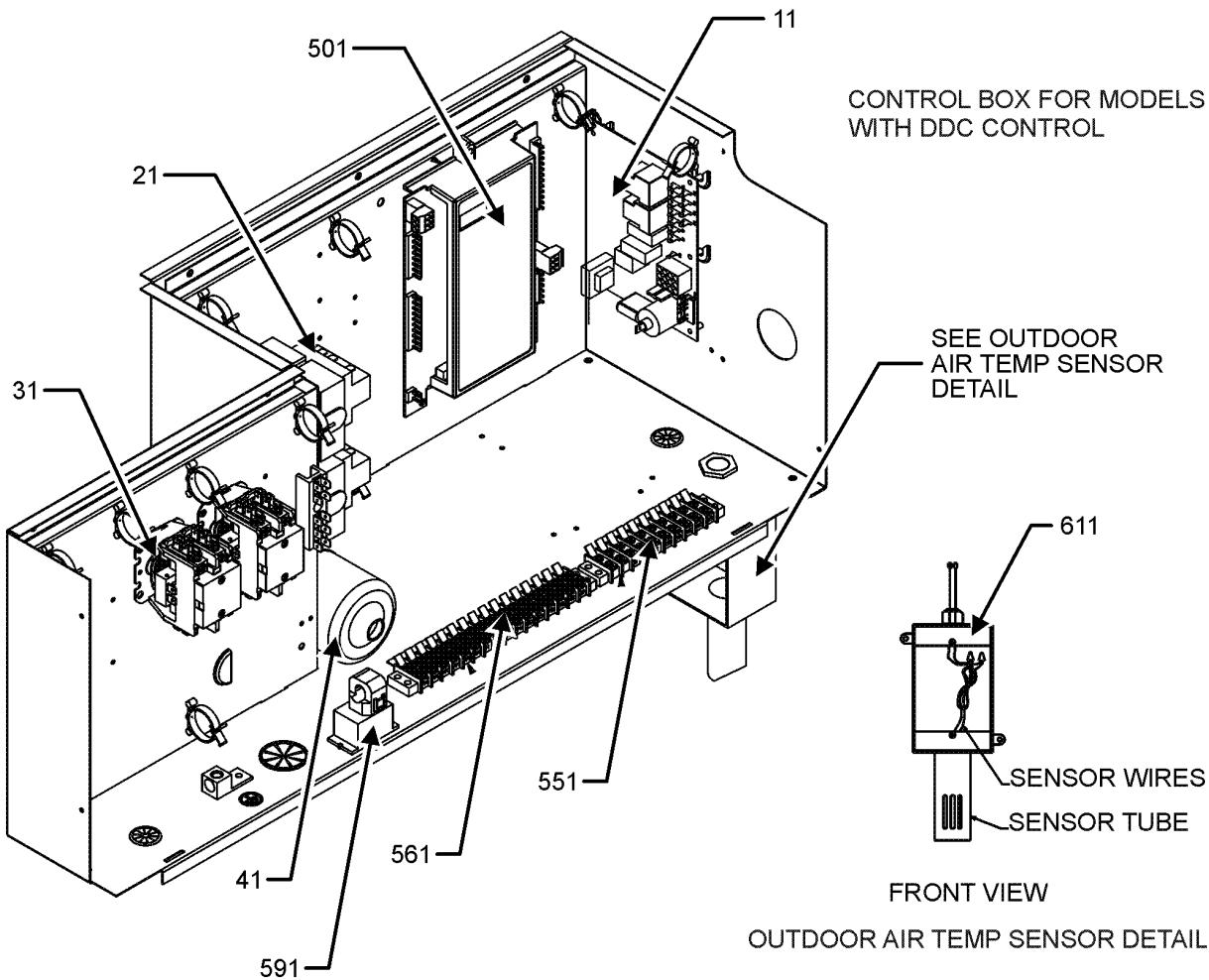
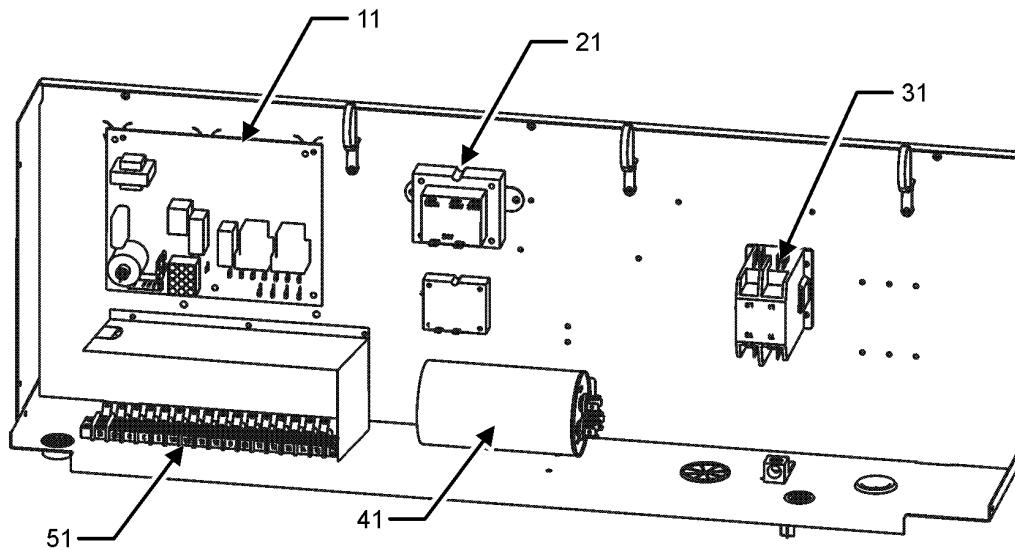
**Image 1:**

11	M0250565	TC SCREW 1.25" (QTY 3)
21	11185817	HSG WELD-BLWR FUR
31	B1376853	MOUNT ARM, MOTOR, A36-42 (QTY 3)
41	0121M00038	MOUNT BAND, MOTOR
51	B1393323	SCREW, MACH HWH 1/4-20X1 1/2 BZ
61	C6121806	CUTOFF CO FUR
71	0131M00826	MOTOR, 3/4 HP PEP
81	0121L00308	BLOWER MOUNTING ANGLE
91	D6723303	BLOWER WHEEL
101	B1392918	WASHER, FLAT 1/4 ID X 1 OD (QTY 3)
111	B1393800	LOCKNUT, NYLON, INSERT 1/420
131	20269903	AUXILIARY LIMIT, AUTO RESET
141	CAP200000440CP	CAP, 20 MFD/440V/ RD
151	20520901	CAPACITOR STRAP

**Expanded Model Nomenclature**

- M1 - DSG0480901DVDXAA
- M2 - DSG0480901DVXXAA
- M3 - DSG0480901DXSXAA
- M4 - DSG0480901DXXXAA
- M5 - DSG0480903DHDCAA
- M6 - DSG0480903DHSXAA
- M7 - DSG0480903DHXAAA
- M8 - DSG0480903DHXXAA
- M9 - DSG0480903DJXCAA
- M10 - DSG0480903DVDBAA
- M11 - DSG0480903DXDZAA
- M12 - DSG0480903DXXBAA
- M13 - DSG0480903DXXXAA
- M14 - DSG0481151DBXXAA
- M15 - DSG0481151DXXXAA
- M16 - DSG0481153DHDAAA
- M17 - DSG0481153DWDBAA
- M18 - DSG0481153DXSXAA
- M19 - DSG0481153DXXXAA

# Control Box Assembly



# Control Box Assembly

Ref. Part No:	Part No:	Description:	Ref. Part No:	Part No:	Description:
---------------	----------	--------------	---------------	----------	--------------

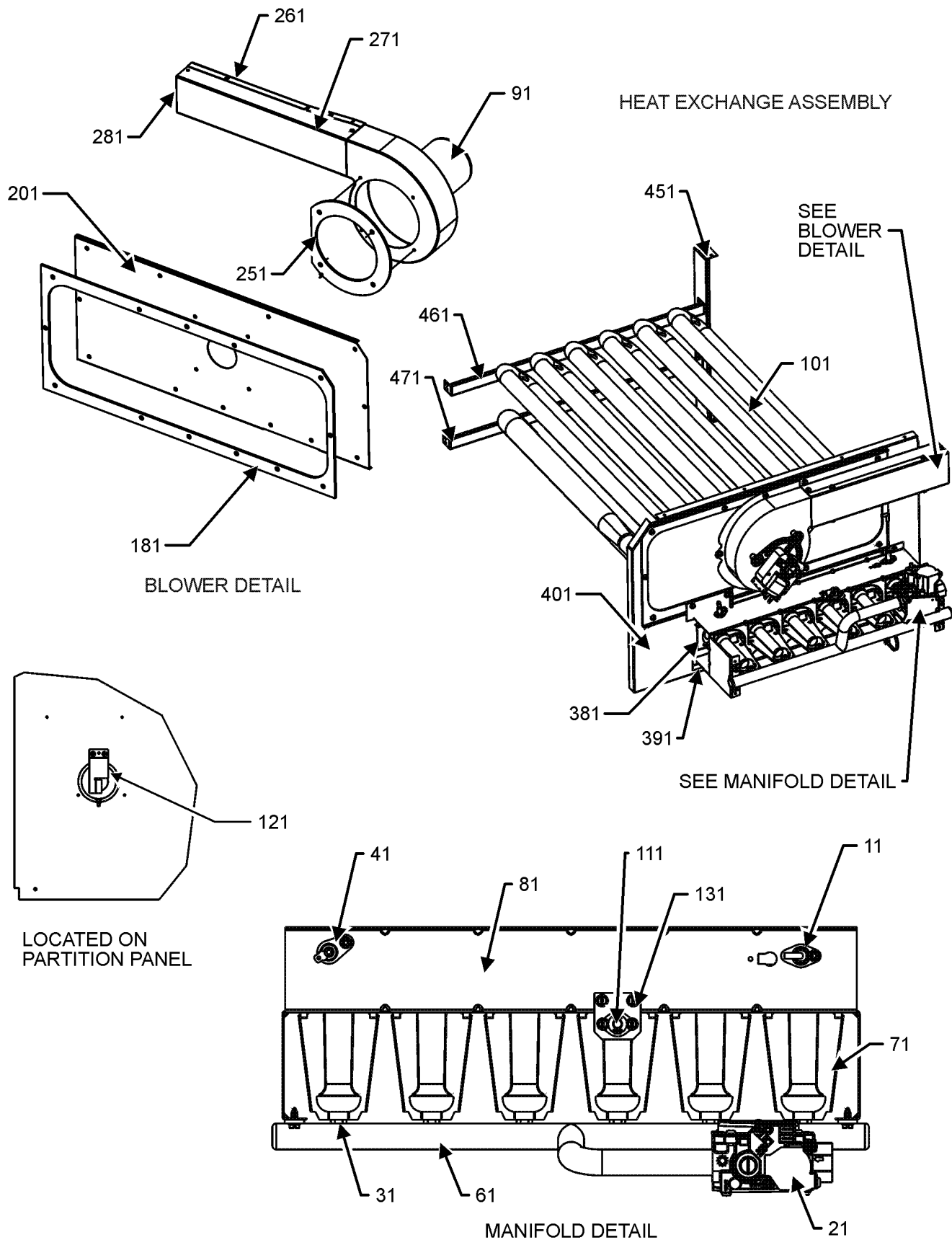
**Image 1:**

11	PCBAG123	IGNITION BOARD, DSI INTEGRATED
21	0130M00138	TRANSFORMER 208/230, 24V
31	CONT2P040024V	CONT, 2 POLE, 40 AMP, 24 VAC (M14)
31	CONT3P025024V	CONTACTOR 25 AMP, 3P, 24V (M5, M6, M7, M8, M9, M10, M11, M12, M13, M16, M17, M18, M19)
31	CONT1P030024V	CONTACTOR 30 AMP, 1P, 24V (M1, M2, M3, M4, M15)
41	CAP050000370LA	CAPACITOR 5/370V (M5, M6, M7, M8, M9, M10, M11, M12, M13, M16, M17, M18, M19)
41	CAP050450440CT	CAPACITOR 5/45/440V/DUAL RD (M1, M2, M3, M4, M14, M15)
51	0130M00038	TERMINAL BOARD
501	PCBCG103	PCB, CONTROL, HP, GAS ,AC (M14)
551	0130M00274	TERMINAL BOARD (M14)
561	0130M00275	TERMINAL BOARD (M14)
591	0259L00368	CURRENT SWITCH WITH TERMS (M14)
611	0130L00108	OD Air Temp Sensor (M14)
NS	0259L00083	12-PIN GAS HARNESS
NS	0164M00079	BOOT-CAPACITOR, ROUND (M14)
NS	20520901	CAPACITOR STRAP
NS	0259L00084	CONTROL HARNESS
NS	0130L00112	Duct Temp Sensor (M14)
NS	0259L00179	HARNESS, ECONOMIZER
NS	0259L00092	HARNESS-SMOKE DETECTOR SENSOR (M11)
NS	0130L00107	ROOM SENSOR (M14)
NS	0259L00079	WIRE HARNESS, EVAP MOTOR
NS	0259L00090	WIRE HARNESS-SMOKE DETECTOR (M11)
NS	0259L00054	WIRING HARNESS
NS	0259L00069	WIRING HARNESS

**Expanded Model Nomenclature**

- M1 - DSG0480901DVXAA
- M2 - DSG0480901DVXXAA
- M3 - DSG0480901DXSXAA
- M4 - DSG0480901DXXXAA
- M5 - DSG0480903DHDCAA
- M6 - DSG0480903DHSXAA
- M7 - DSG0480903DHXAAA
- M8 - DSG0480903DHXXAA
- M9 - DSG0480903DJXCAA
- M10 - DSG0480903DVBAA
- M11 - DSG0480903DXDZAA
- M12 - DSG0480903DXXBAA
- M13 - DSG0480903DXXXAA
- M14 - DSG0481151DBXXAA
- M15 - DSG0481151DXXXAA
- M16 - DSG0481153DHDAAA
- M17 - DSG0481153DWBAA
- M18 - DSG0481153DXSXAA
- M19 - DSG0481153DXXXAA

# Heat Exchange Assembly



# Heat Exchange Assembly

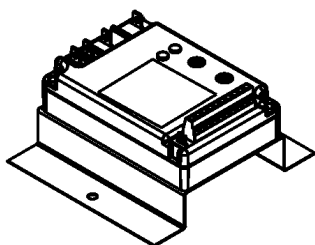
Ref. Part No:	No:	Description:	Ref. Part No:	No:	Description:
<b>Image 1:</b>			<b>Expanded Model Nomenclature</b>		
11	20261709	IGNITOR	M1	-	DSG0480901DVDXAA
21	0151F00000P	GAS VALVE - WHITE-RODGERS 2-STAGE	M2	-	DSG0480901DVXXAA
31	0163F00018	ORIFICE (QTY 4)	M3	-	DSG0480901DXSXAA
41	0130F00010	FLAME SENSOR	M4	-	DSG0480901DXXXAA
61	0163L00026	MANIFOLD-GAS 4 BURNER (M1, M2, M3, M4, M5, M6, M7, M8, M9, M10, M11, M12, M13)	M5	-	DSG0480903DHDCAA
61	0163L00029	MANIFOLD-GAS, 5 BURNER (M14, M15, M16, M17, M18, M19)	M6	-	DSG0480903DHSXAA
71	0163F00017	BECKETT BURNER (M1, M2, M3, M4, M14, M15)	M7	-	DSG0480903DHXAAA
71	10735102	BECKETT BURNER (M5, M6, M7, M8, M9, M10, M11, M12, M13, M16, M17, M18, M19)	M8	-	DSG0480903DHXXAA
81	0121L01361	BRACKET, BURNER 4 (M1, M2, M3, M4)	M9	-	DSG0480903DJXCAA
81	0121L01362	BRACKET, BURNER 5 (M14, M15)	M10	-	DSG0480903DVDBAA
81	20190412	BURNER BRACKET 4B (M5, M6, M7, M8, M9, M10, M11, M12, M13)	M11	-	DSG0480903DXDZAA
81	20190413	BURNER BRACKET 5B (M16, M17, M18, M19)	M12	-	DSG0480903DXXBAA
91	0131M00121	BLOWER-ID COMBUSTION	M13	-	DSG0480903DXXXAA
101	0270L00682	PART/TUBE ASSY (M1, M2, M4)	M14	-	DSG0481151DBXXAA
101	0270L00683	PART/TUBE ASSY (M14, M15)	M15	-	DSG0481151DXXXAA
101	0270L00686	PART/TUBE ASSY (M3)	M16	-	DSG0481153DHDAAA
101	0270L00092	PART/TUBE ASSY 4B (M5, M7, M8, M9, M10, M11, M12, M13)	M17	-	DSG0481153DWDBAA
101	0270L00110	PART/TUBE ASSY 5B (M16, M17, M19)	M18	-	DSG0481153DXSXAA
101	0270L00111	PART/TUBE ASSY 5B (M18)	M19	-	DSG0481153DXXXAA
101	0270L00105	PART/TUBE ASSY, 4B (M6)			
111	10123532	LIMIT-RESET MAN-GRAY			
121	11112501	PRESSURE SWITCH			
131	0121L00053	BRACKET-FLAME ROLLOUT			
181	0154L00018	ID BLOWER PLATE GASKET 4 BRNR (M1, M2, M3, M4, M5, M6, M7, M8, M9, M10, M11, M12, M13)			
181	0154L00017	ID BLOWER PLATE GASKET 6 BRNR (M14, M15, M16, M17, M18, M19)			
201	0121L00284	ID BLOWER PLATE 4 BRNR (M5, M6, M7, M8, M9, M10, M11, M12, M13)			
201	0121L00318	ID BLOWER PLATE 6 BRNR (M16, M17, M18, M19)			
201	0121L01353	PLATE, ID BLOWER 4 (M1, M2, M3, M4)			
201	0121L01354	PLATE, ID BLOWER 5 (M14, M15)			
251	0154L00020	GASKET-ID BLOWER			
261	0121L00277	FLUE-CHANNEL			
271	0121L00278	FLUE-SIDE COVER			
281	0163L00072	SCREEEN-FLUE			
381	11072203	SHIELD-ORF CO FUR (M5, M6, M7, M8, M9, M10, M11, M12, M13)			
381	11072204	SHIELD-ORF CO FUR (M16, M17, M18, M19)			
391	0121L00267	BRACKET-BURNER SLIDE (M6, M18)			
401	0121L00268	RETAINER-BURNER ASSY (M18)			
451	0121L02617	SUPPORT-BRACKET			
451	0121L02618	SUPPORT-HEAT EXCHANGER			
461	0121L01576	SUPPORT-BRACKET			
NS	A3468601	PRESSURE SWITCH HOSE			

# Accessory Parts List

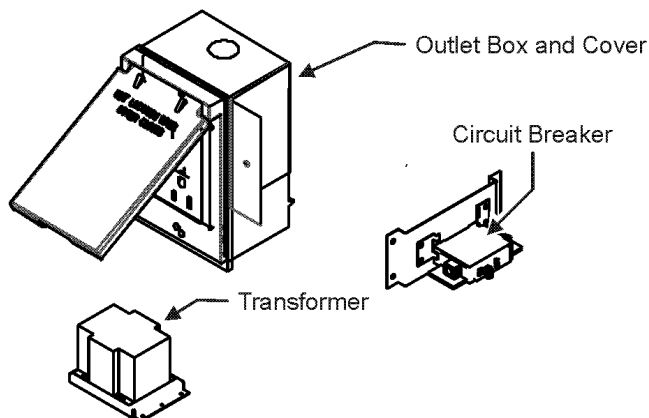
## ACCESSORY PARTS LIST

NOTE: NOT ALL OPTIONS AVAILABLE FOR ALL PRODUCTS

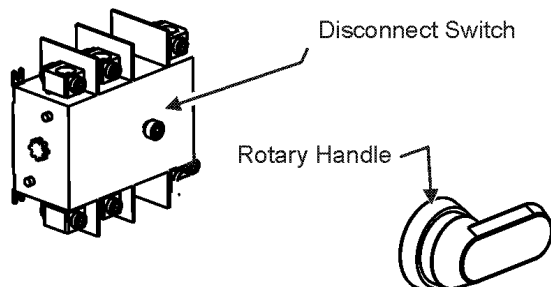
### 1 LOW AMBIENT KITS



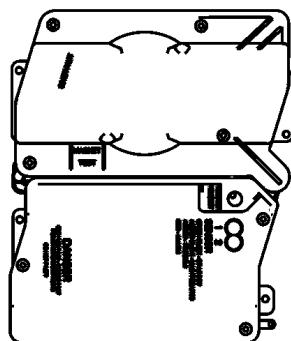
### 2 GFCI CONVENIENCE OUTLET



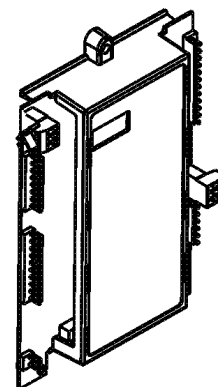
### 3 DISCONNECT MODULE (NON-FUSED)



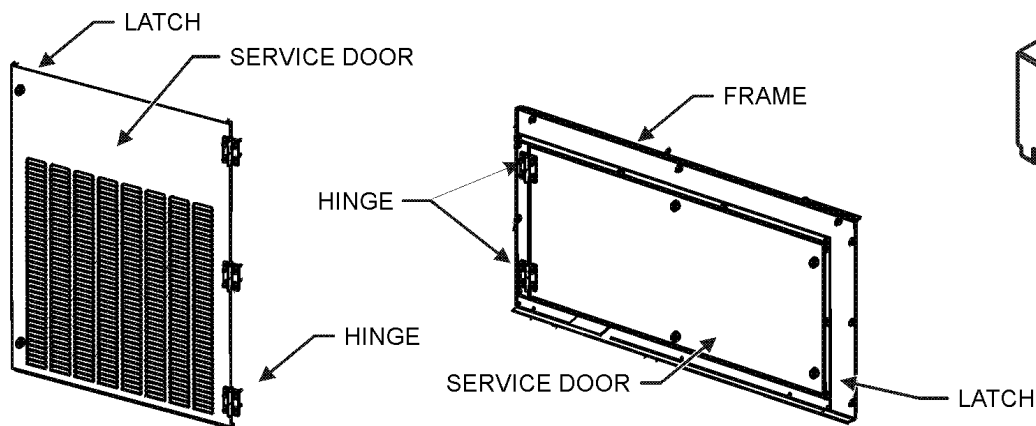
### 4 SMOKE DETECTORS



### 5 DDC CONTROL



### 6 HINGED DOOR ASSEMBLIES



### 7 PHASE MONITOR



# Accessory Parts List

Ref. Part No:	Ref. Part No:	Description:	Description:
<b>Image 1:</b>		<b>Expanded Model Nomenclature</b>	
NS 1036609C		3-6 TON DFLOW ECONOMIZER (M9)	M1 - DSG0480901DVDXAA
NS DDNECNJ3672C		3-6 TON DFLOW ECONOMIZER (M1, M2, M10, M17)	M2 - DSG0480901DVXXAA
NS 0121L01934		BRACKET SMOKE DETECTOR (M11)	M3 - DSG0480901DXSXAA
NS 0121L00316		BRACKET-CONV OUTLET MOUNT (M7, M10, M12, M16, M17)	M4 - DSG0480901DXXXAA
NS 0121L00835		BRACKET-DISCONNECT SWITCH (M5, M6, M7, M8, M9, M16, M17)	M5 - DSG0480903DHDCAA
NS 0130M00065		CIRCUIT BREAKER, CONVENIENCE OUTLET (M10, M12, M17)	M6 - DSG0480903DHSXAA
NS 0121L00837NG		DISCONNECT COVER (M5, M6, M7, M8, M9, M16, M17)	M7 - DSG0480903DHXAAA
NS 0130L00012		GANG BOX-GFCI OUTLET (M7, M10, M12, M16, M17)	M8 - DSG0480903DHXXAA
NS 0130L00039		HANDLE, ROTARY (M5, M6, M7, M8, M9, M16, M17)	M9 - DSG0480903DJXCAA
NS 0163M00307		HINGE, LEFT HAND (M1, M5, M10, M11, M16, M17)	M10 - DSG0480903DVDBAA
NS 0163M00308		HINGE, RIGHT HAND (M1, M5, M10, M11, M16, M17)	M11 - DSG0480903DXDZAA
NS 0163M00360		LATCH (M1, M5, M10, M11, M16, M17)	M12 - DSG0480903DXXBAA
NS 0130M00058		LOW AMBIENT KIT (M5, M9)	M13 - DSG0480903DXXXAA
NS 0121L02509NG		PNT, BLOWER FRAME (M1, M5, M10, M11, M16, M17)	M14 - DSG0481151DBXXAA
NS 0161G00012		POWER OUTLET BOX (M7, M10, M12, M16, M17)	M15 - DSG0481151DXXXAA
NS 0130L00103		RECEPTACLE-GFCI OUTLET (M7, M10, M12, M16, M17)	M16 - DSG0481153DHDAAA
NS 0121L02527NG		SERVICE DOOR BACK, BLOWER (M1, M5, M10, M11, M16, M17)	M17 - DSG0481153DWDBAA
NS 0121L02526NG		SERVICE DOOR FRONT, BLOWER (M1, M5, M10, M11, M16, M17)	M18 - DSG0481153DXSXAA
NS 0130L00042		SHAFT, CUT (M5, M6, M7, M8, M9, M16, M17)	M19 - DSG0481153DXXXAA
NS 0130L00049		SHAFT, DISCONNECT (M5, M6, M7, M8, M9, M16, M17)	
NS D4120		SMOKE DETECTOR, PHOTO 4WIRE (M11)	
NS D4S		SMOKE DETECTOR, SENSOR ONLY (M11)	
NS 0130L00046		SWITCH-DISCONNECT 60A (M5, M6, M7, M8, M9, M16, M17)	
NS 0130M00061		TRANSFORMER, CONVENIENCE OUTLET (M10, M12, M17)	