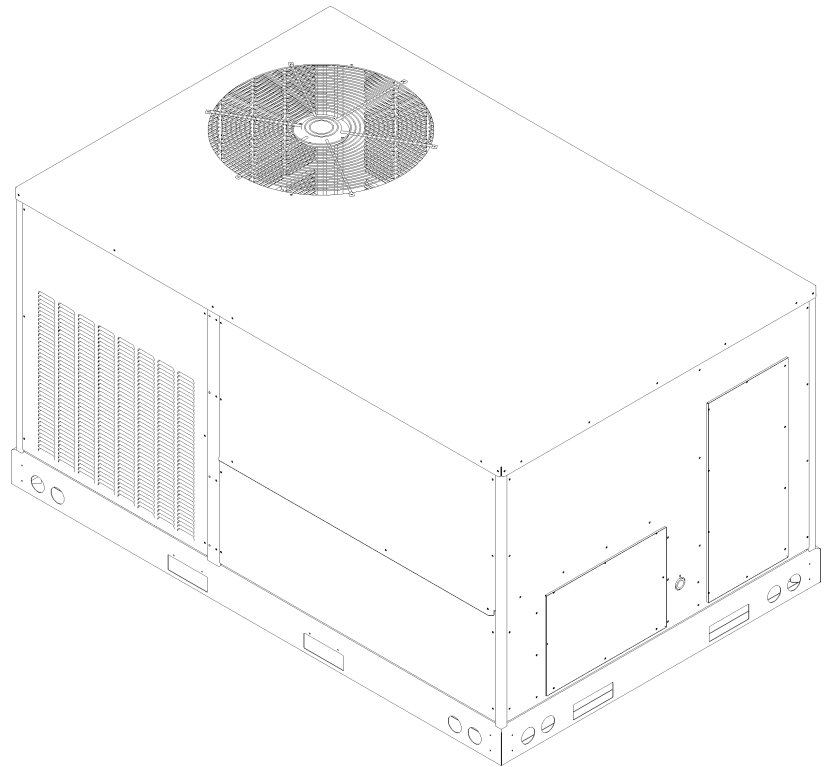


Commercial 4 Ton Package Gas Unit

DSG0480703BXXXAA
DSG0480704BXXXAA
DSG0480903BAXNAA
DSG0480903BBXXAA
DSG0480903BFXXAA
DSG0480903BHXBAA
DSG0480903BHXXAA
DSG0480903BJDDAA
DSG0480903BVSXAA
DSG0480903BWBBA
DSG0480903BWXEAA
DSG0480903BWXNAA
DSG0480903BXXXAA
DSG0480904BHXBAA
DSG0480904BVXMAA
DSG0480904BWXXAA
DSG0480904BXXXAA
DSG0481153BRJEA
DSG0481153BWXTAA
DSG0481153BWXXAA
DSG0481153BXXAA
DSG0481153BXXAA
DSG0481154BHXXAA
DSG0481154BWXAAA
DSG0481154BXXAA
DSG0481154BXXAA
DSG0481157BHDA
DSG0481157BXXAA
DSG0481157BXXAA
DSG0481157BXXAA



This manual is to be used by qualified technicians only.

This manual replaces RP-D1114G.

Important Information

Index

Functional Parts List	3
Illustration and Parts	4 - 17

Views shown are for parts illustrations only, not servicing procedures.

Text Codes:

AR - As Required

NA - Not Available

NS - Not Shown

00000000 - See Note

QTY - Quantity Example (QTY 3) (If Quantity not shown, Quantity = 1)

M - Model Example (M1) (If M Code not shown, then part is used on all Models)

Expanded Model Nomenclature:

Example M1 - Model#1 M2 - Model#2 M3 - Model#3

Daikin Company, L.P. is not responsible for personal injury or property damage resulting from improper service. Review all service information before beginning repairs.

Warranty service must be performed by an authorized technician, using authorized factory parts. If service is required after the warranty expires, Daikin Company, L.P. also recommends contacting an authorized technician and using authorized factory parts.

Daikin Company, L.P. reserves the right to discontinue, or change at any time, specifications or designs without notice or without incurring obligations.

For assistance within the U.S.A. contact:

Equipment Support
Daikin North America, LLC
19001 Kermier Road
Waller, Texas 77484
855-770-5678-Telephone
713-863-2382-Facsimile

For assistance outside the U.S.A. contact:

International Division
Daikin North America, LLC
19001 Kermier Road
Waller, Texas 77484
713-861-2500-Telephone
713-863-2382-Facsimile

Functional Parts

Part

No: Description:

Part No:	Description:	Part No:	Description:
0130M00025	24V RELAY	0130M00138	TRANSFORMER 208/230, 24V (M1, M3, M4, M5, M6, M7, M8, M9, M10, M11, M12, M13, M18, M19, M20, M21, M22)
10735102	BECKETT BURNER (QTY 3)	0130M00146	TRANSFORMER 480V TO 230V, 150VA (M2, M14, M15, M16, M17, M23, M24, M25, M26)
B1368056	BELT DRIVE BLOWER WHEEL	0130M00145	TRANSFORMER 480V to 24V, 75VA (M2, M14, M15, M16, M17, M23, M24, M25, M26)
0131L00003	BELT DRIVE MOTOR 1 HP (M1, M2, M3, M4, M5, M6, M7, M8, M9, M10, M11, M12, M13, M14, M15, M16, M17, M18, M19, M20, M21, M22, M23, M24, M25, M26)	0130M00147	TRANSFORMER 575V TO 230V, 150VA (M27, M28, M29, M30)
0131L00004	BELT DRIVE MOTOR 1.5 HP 575V (M27, M28, M29, M30)	0130M00148	TRANSFORMER 575V to 24V, 75VA (M27, M28, M29, M30)
CAP075000440LA	CAP 7.5 MFD/440V/OVAL (M2, M14, M16, M17, M23, M24, M25, M26)	Expanded Model Nomenclature	
CAP030000440LA	CAPACITOR 3/440V (M27, M28, M29, M30)	M1 - DSG0480703BXXXAA	
CAP050000370LA	CAPACITOR 5/370V (M4, M5, M15, M18)	M2 - DSG0480704BXXXAA	
CAP050000440LA	CAPACITOR 5/440V (M1, M3, M6, M7, M8, M9, M10, M11, M12, M13, M19, M20, M21, M22)	M3 - DSG0480903BAXNAA	
ZP39K5ETF5130	COMPRESSOR 39000, 200/230/60/3 (M1, M3, M4, M5, M6, M7, M8, M9, M10, M11, M12, M13, M18, M19, M20, M21, M22)	M4 - DSG0480903BBXXAA	
ZP39K5ETFD130	COMPRESSOR 39000, 460/60/3 (M2, M14, M15, M16, M17, M23, M24, M25, M26)	M5 - DSG0480903BFXXAA	
ZP39K5ETFE130	COMPRESSOR 39000, 575/60/3 (M27, M28, M29, M30)	M6 - DSG0480903BHXBAA	
0131M00432	COND MOTOR 380/460/50/60 CYCLE (M2, M14, M16, M17, M23, M24, M25, M26)	M7 - DSG0480903BHXXAA	
0131M00431	COND MOTOR 575V (M27, M28, M29, M30)	M8 - DSG0480903BJDDAA	
CONT3P025024V	CONTACTOR 25 AMP, 3P, 24V (M2, M14, M15, M16, M17, M23, M24, M25, M26, M27, M28, M29, M30)	M9 - DSG0480903BVSXAA	
CONT3P030024V	CONTACTOR 30 AMP, 3P, 24V (M1, M3, M4, M5, M6, M7, M8, M9, M10, M11, M12, M13, M18, M19, M20, M21, M22)	M10 - DSG0480903BWBBA	
0259L00368	CURRENT SWITCH WITH TERMS (M4, M5, M18)	M11 - DSG0480903BWXEAA	
0130M00074	CUT-OUT SWITCH, HIGH PRESSURE	M12 - DSG0480903BWXNAA	
0130M00087	CUT-OUT SWITCH, LOW PRESSURE	M13 - DSG0480903BXXXAA	
PCBCG100	DDC Controller (M4, M5, M18)	M14 - DSG0480904BHXBAA	
0130L00112	Duct Temp Sensor (M4, M5, M18)	M15 - DSG0480904BVXMAA	
0164L00010	FAN BELT, NOTCHED	M16 - DSG0480904BWXAA	
0150G00004	FAN BLADE	M17 - DSG0480904BXXXAA	
0130F00010	FLAME SENSOR	M18 - DSG0481153BRJEEA	
0151F00000P	GAS VALVE - WHITE-RODGERS 2-STAGE	M19 - DSG0481153BWXATA	
PCBAG123	IGNITION BOARD, DSI INTEGRATED	M20 - DSG0481153BWXAA	
20261709	IGNITOR	M21 - DSG0481153BXDXAA	
10123532	MANUAL RESET LIMIT 350°F	M22 - DSG0481153BXXXAA	
0131M00847	MOTOR, 1/4 HP, 1 SP, 6 PL (M1, M3, M4, M5, M6, M7, M8, M9, M10, M11, M12, M13, M18, M20, M21, M22)	M23 - DSG0481154BHXXAA	
0131L00061	Motor, Cond, 1/4 HP, 208/230V (M19)	M24 - DSG0481154BWXAA	
0131L00062	Motor, Cond, 1/4 HP, 460V (M15)	M25 - DSG0481154BXDXAA	
0130L00108	OD Air Temp Sensor (M4, M5, M18)	M26 - DSG0481154BXXXAA	
11112501	PRESSURE SWITCH	M27 - DSG0481157BHDAAA	
0130F00037	PRIMARY LIMIT - GRAY 150° (M1, M2, M18, M19, M20, M21, M22, M23, M24, M25, M26, M27, M28, M29, M30)	M28 - DSG0481157BXDXAA	
20162905	PRIMARY LIMIT-YELLOW (M3, M4, M5, M6, M7, M8, M9, M10, M11, M12, M13, M14, M15, M16, M17)	M29 - DSG0481157BXSXAA	
0130M00275	TERMINAL BOARD (M4, M5, M18)	M30 - DSG0481157BXXXAA	
0130M00274	TERMINAL BOARD (M4, M5, M18)		
0130M00038	TERMINAL BOARD (M1, M2, M3, M6, M7, M8, M9, M10, M11, M12, M13, M14, M15, M16, M17, M19, M20, M21, M22, M23, M24, M25, M26, M27, M28, M29, M30)		

Top Panel and Tubing Assembly

IMAGE 1

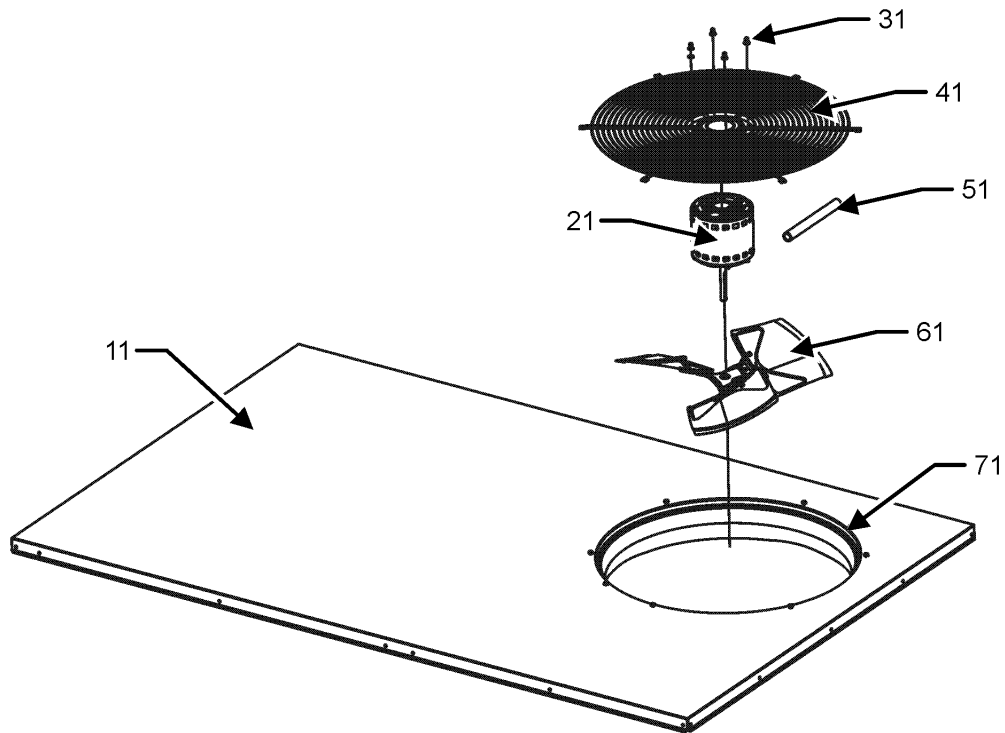
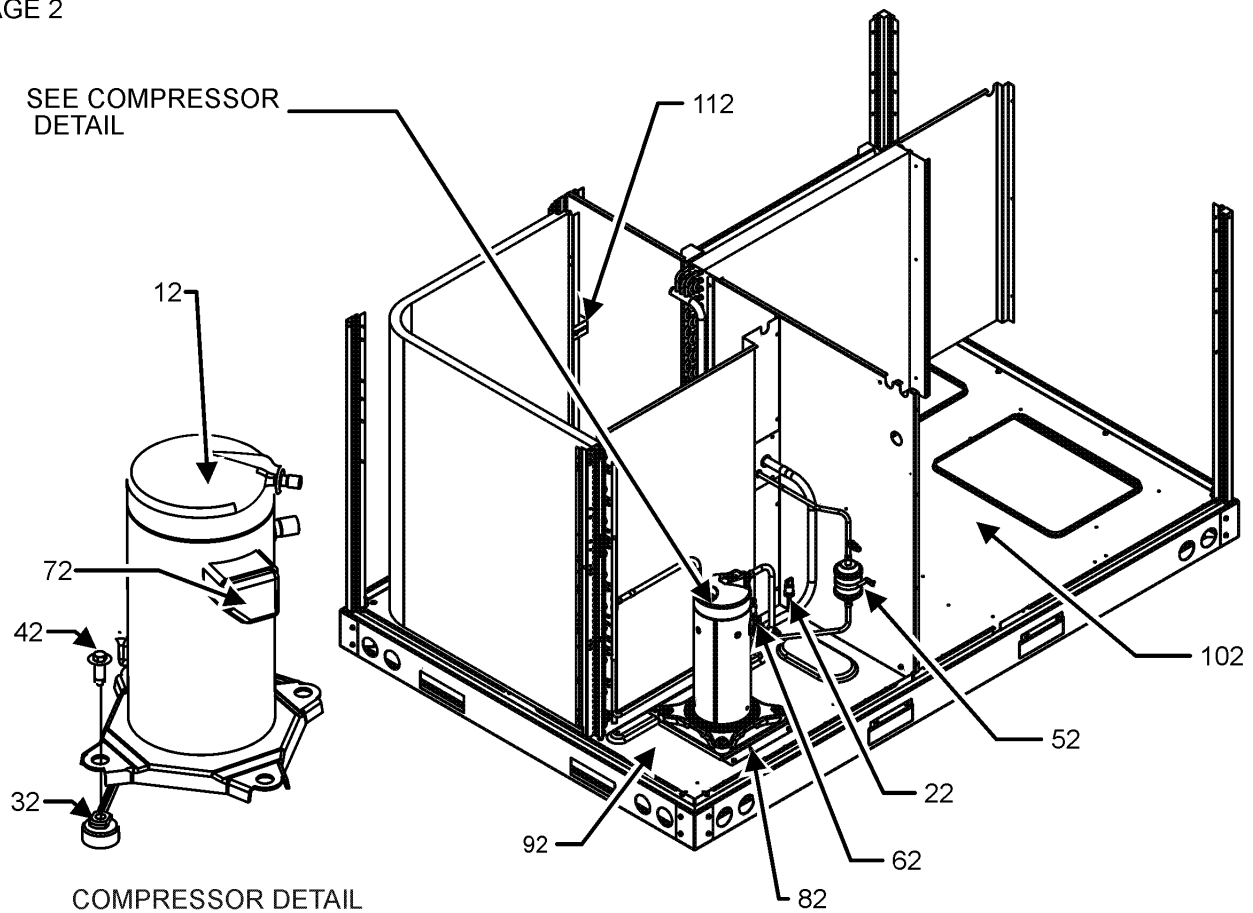


IMAGE 2



Top Panel and Tubing Assembly

Ref. Part No: No:	Description:	Ref. Part No: No:	Description:
Image 1:		Expanded Model Nomenclature	
11	0121L00235NG TOP PANEL	M1	- DSG0480703BXXXAA
21	0131M00432 COND MOTOR 380/460/50/60 CYCLE (M2, M14, M16, M17, M23, M24, M25, M26)	M2	- DSG0480704BXXXAA
21	0131M00431 COND MOTOR 575V (M27, M28, M29, M30)	M3	- DSG0480903BAXNAA
21	0131M00847 MOTOR, 1/4 HP, 1 SP, 6 PL (M1, M3, M4, M5, M6, M7, M8, M9, M10, M11, M12, M13, M18, M20, M21, M22)	M4	- DSG0480903BBXXAA
21	0131L00061 Motor, Cond, 1/4 HP, 208/230V (M19)	M5	- DSG0480903BFXXAA
21	0131L00062 Motor, Cond, 1/4 HP, 460V (M15)	M6	- DSG0480903BHXBAA
31	0163M00006P ACORN NUT 5/16 HEX BLACK (QTY 4)	M7	- DSG0480903BHXXAA
41	0152G00003 FAN GRILLE (M1, M2, M3, M4, M5, M6, M7, M8, M9, M10, M11, M12, M13, M14, M15, M16, M17, M18, M20, M21, M22, M23, M24, M25, M26, M27, M28, M29, M30)	M8	- DSG0480903BJDDAA
41	0152G00000 FAN GRILLE RAISED (M19)	M9	- DSG0480903BVSXAA
51	17788000083F PVC CONDUIT 8.25"	M10	- DSG0480903BWBBA
61	0150G00004 FAN BLADE	M11	- DSG0480903BWXEAA
71	0161L00000 VENTURI RING 22"	M12	- DSG0480903BWXNAA
NS	0163M00004 SCREW #10X3/4", BLACK (QTY 8)	M13	- DSG0480903BXXXAA
NS	0163M00005P WASHER, BLACK (.50 OD .218ID) (QTY 4)	M14	- DSG0480904BHXBAA
Image 2:		M15	- DSG0480904BVXMAA
12	ZP39K5ETF5130 COMPRESSOR 39000, 200/230/60/3 (M1, M3, M4, M5, M6, M7, M8, M9, M10, M11, M12, M13, M18, M19, M20, M21, M22)	M16	- DSG0480904BWXAA
12	ZP39K5ETFD130 COMPRESSOR 39000, 460/60/3 (M2, M14, M15, M16, M17, M23, M24, M25, M26)	M17	- DSG0480904BXXXAA
12	ZP39K5ETFE130 COMPRESSOR 39000, 575/60/3 (M27, M28, M29, M30)	M18	- DSG0481153BRJEAA
22	0130M00087 CUT-OUT SWITCH, LOW PRESSURE	M19	- DSG0481153BWXATA
32	B1339533 COMPRESSOR GROMMET (QTY 4)	M20	- DSG0481153BWXAA
42	M0221641 TF SHOULDER SCREW (QTY 4)	M21	- DSG0481153BXDXAA
52	0162R00009 FILTER DRIER	M22	- DSG0481153BXXXAA
62	0130M00074 CUT-OUT SWITCH, HIGH PRESSURE	M23	- DSG0481154BHXXAA
72	0159L00065 COMPRESSOR SCROLL HARNESS	M24	- DSG0481154BWXAAA
82	0121L00310 COMPRESSOR MOUNTING PLATE	M25	- DSG0481154BXDXAA
92	0121L01990 BASE PAN, OUTDOOR	M26	- DSG0481154BXXXAA
102	0121L02619 BASE PAN-INDOOR	M27	- DSG0481157BHDAAA
112	0121L00936 BRACKET-HAIRPIN END	M28	- DSG0481157BXDXAA
NS	B1373315 ACCESS FITTING (QTY 2)	M29	- DSG0481157BXSXAA
NS	0141L00003X FORK BOARD (QTY 2)	M30	- DSG0481157BXXXAA
NS	0121L00055 FORK BOARD BRACKET (QTY 4)		

Cabinet Assembly

IMAGE 1

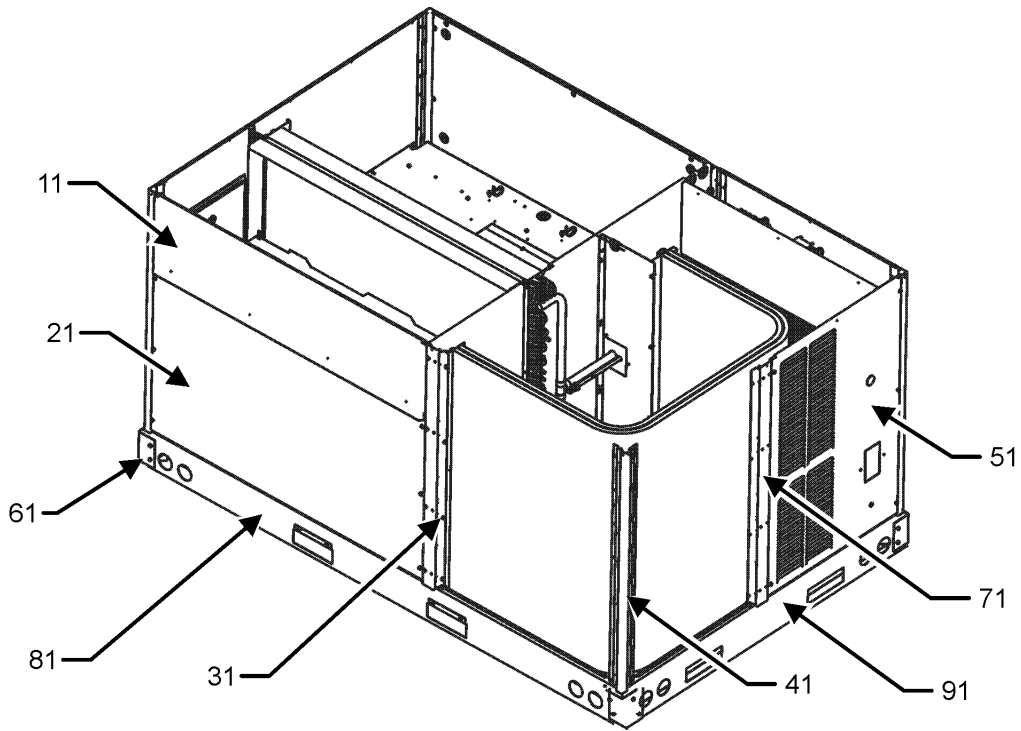
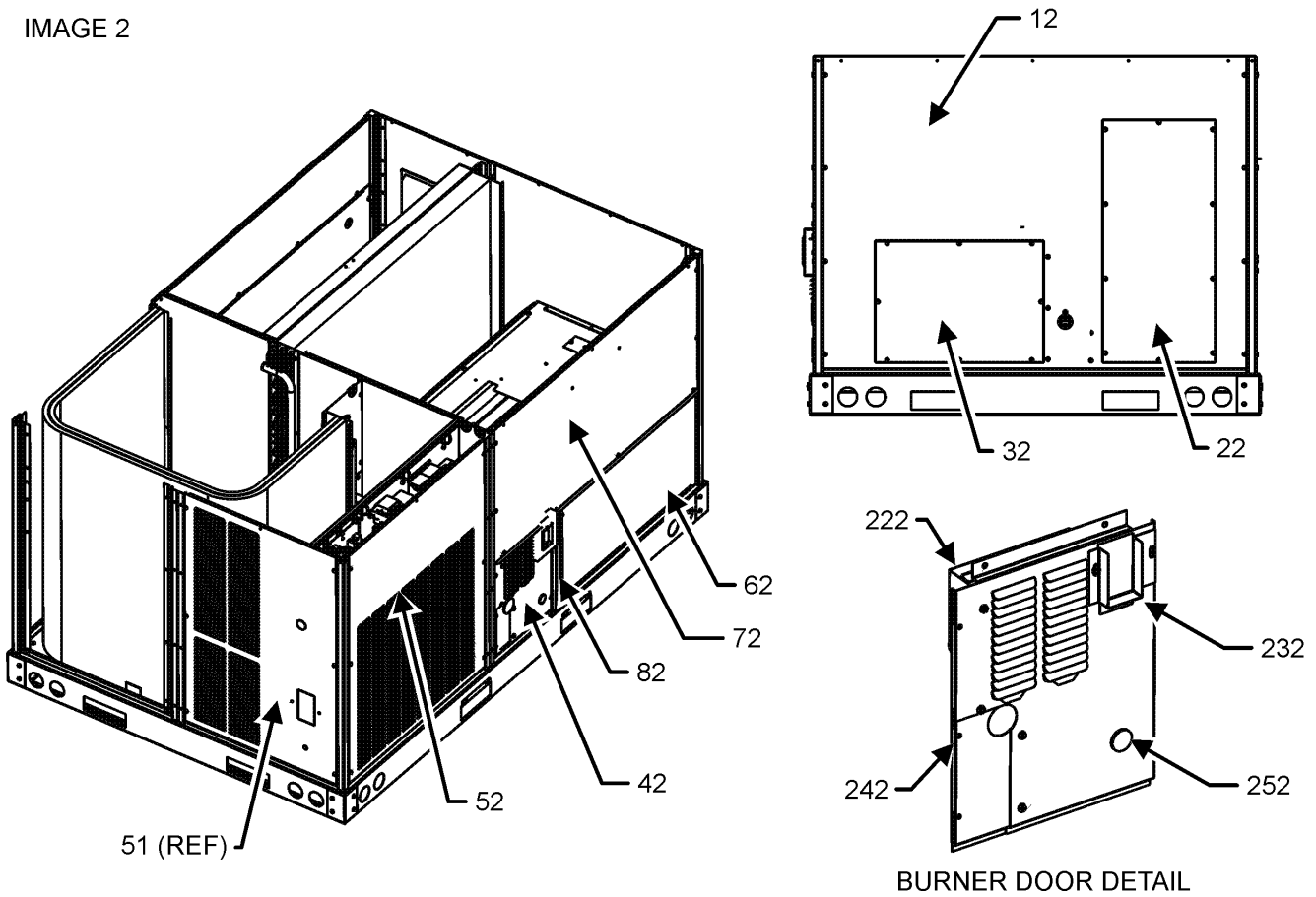


IMAGE 2



Cabinet Assembly

**Ref. Part
No: No:**

Description:

**Ref. Part
No: No:**

Description:

Image 1:

11	0270L00362NG	FILTER DOOR
21	0121L00976NG	ECONOMIZER DOOR (M1, M2, M4, M6, M7, M9, M10, M11, M12, M13, M14, M15, M16, M17, M19, M20, M21, M22, M23, M24, M25, M26, M27, M28, M29, M30)
31	0121L00233RFNG	POST-SIDE SUPPORT (QTY 2)
41	0121L00237RFNG	CORNER POST (QTY 4)
41	0121L01935RFNG	PNT, ROLL FORMED POST CORNER (M8, M21, M25, M27, M28)
51	0121L00263NG	LOUVERED COMPRESSOR PANEL (M1, M2, M3, M4, M5, M9, M13, M15, M17, M21, M22, M25, M26, M28, M29, M30)
51	0121L00836NG	LOUVERED COMPRESSOR PANEL (M6, M7, M8, M10, M11, M12, M14, M16, M18, M19, M20, M23, M24, M27)
61	0121G00301	RAIL CORNER BRACKET (QTY 4)
71	0121L01374RFNG	PNT, RL FMD SIDE POST SUPPORT (M8, M21, M25, M27, M28)
71	0121L01159RFNG	POST-SIDE SUPPORT (M1, M2, M3, M4, M5, M6, M7, M9, M10, M11, M12, M13, M14, M15, M16, M17, M18, M19, M20, M22, M23, M24, M26, M29, M30)
81	0121L00244RF	SIDE RAIL (QTY 2)
91	0121L00245	END RAIL (QTY 2)
NS	0121L01309	ECONOMIZER COVER (M3, M5, M8, M18)
NS	0164L00009	GASKET-RUBBER, CPOST (QTY 3)
NS	0164L00011	GASKET-RUBBER, SIDE POST (QTY 3)

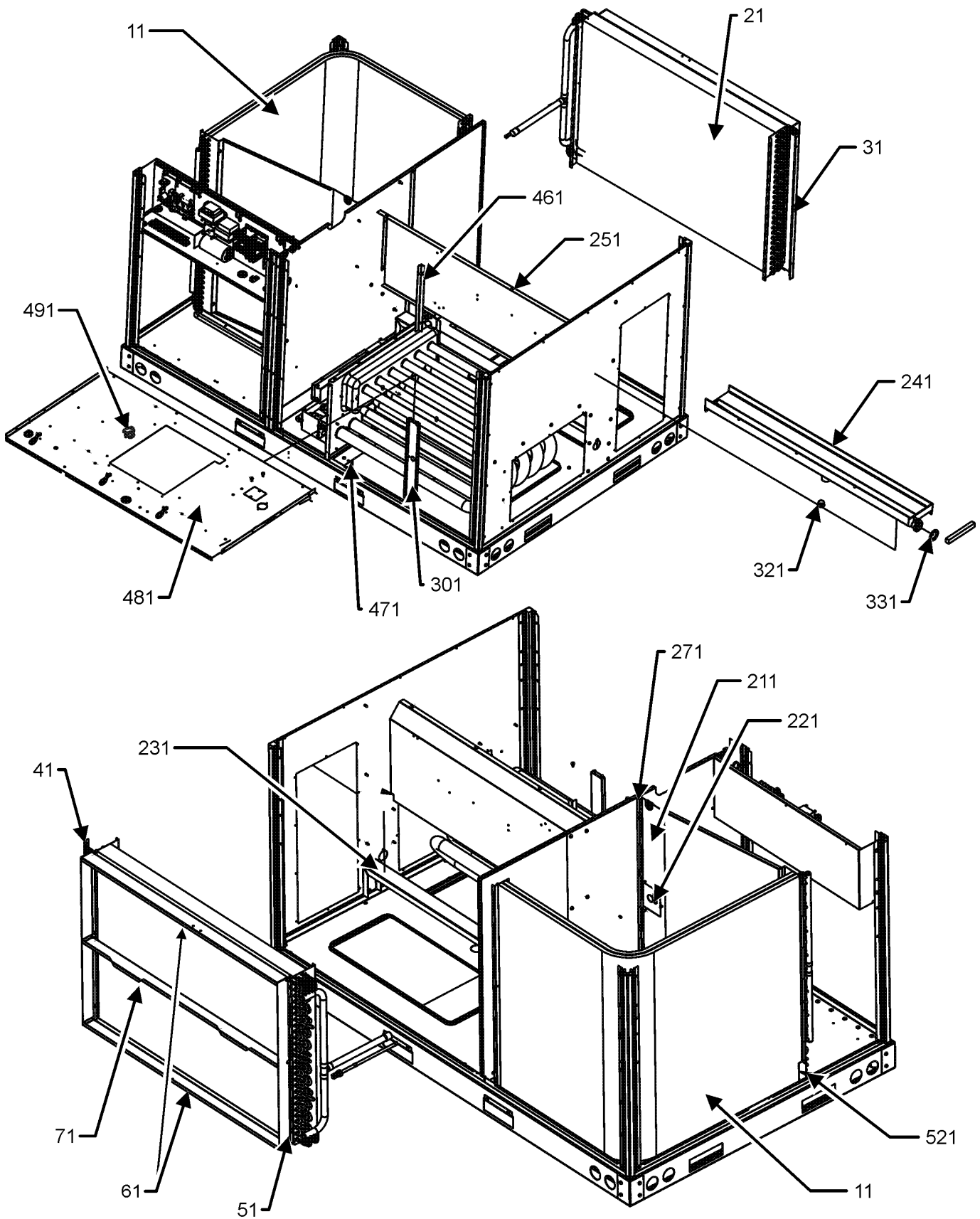
Image 2:

12	0121L00236NG	DUCT PANEL
22	0121L00023NG	RETURN DUCT COVER
32	0121L00024NG	SUPPLY DUCT COVER
42	0121L01438NG	BURNER DOOR
52	0121L01121NG	LOUVERED CONTROL PANEL (M1, M2, M3, M4, M5, M6, M7, M9, M10, M11, M12, M13, M14, M15, M16, M17, M18, M19, M20, M22, M23, M24, M26, M29, M30)
52	0121L01327NG	LOUVERED CONTROL PANEL (M8, M21, M25, M27, M28)
62	0121L01108NG	HEAT EXCHANGER DOOR
72	0121L01157NG	BLOWER DOOR
82	0121L01110RFNG	BURNER POST
222	0121L01439	RAIN SHIELD DOOR
232	0121L01440NG	FLUE COLLAR
242	0121L01441NG	BURNER DOOR PANEL
252	B1392139	VIEW PORT BUSHING-BLOWER DOOR
NS	B1910012	GAS LINE GROMMET

Expanded Model Nomenclature

M1 - DSG0480703BXXXAA
M2 - DSG0480704BXXXAA
M3 - DSG0480903BAXNAA
M4 - DSG0480903BBXXAA
M5 - DSG0480903BFXXAA
M6 - DSG0480903BHXBAA
M7 - DSG0480903BHXXAA
M8 - DSG0480903BJDDAA
M9 - DSG0480903BVSXAA
M10 - DSG0480903BWBBA
M11 - DSG0480903BWXEAA
M12 - DSG0480903BWXNAA
M13 - DSG0480903BXXXAA
M14 - DSG0480904BHXBAA
M15 - DSG0480904BVXMAA
M16 - DSG0480904BWXAAA
M17 - DSG0480904BXXXAA
M18 - DSG0481153BRJEAA
M19 - DSG0481153BWXATA
M20 - DSG0481153BWXAAA
M21 - DSG0481153BXXDAA
M22 - DSG0481153BXXXAA
M23 - DSG0481154BHXXAA
M24 - DSG0481154BWXAAA
M25 - DSG0481154BXXDAA
M26 - DSG0481154BXXXAA
M27 - DSG0481157BHDAAA
M28 - DSG0481157BXXDAA
M29 - DSG0481157BXSAAA
M30 - DSG0481157BXXXAA

Partition Assembly

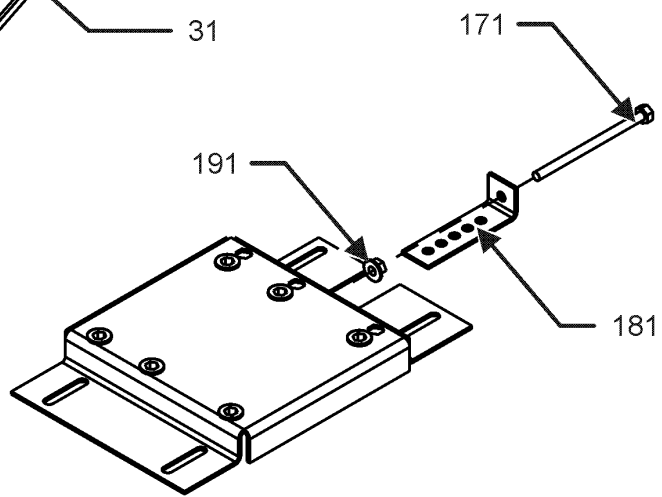
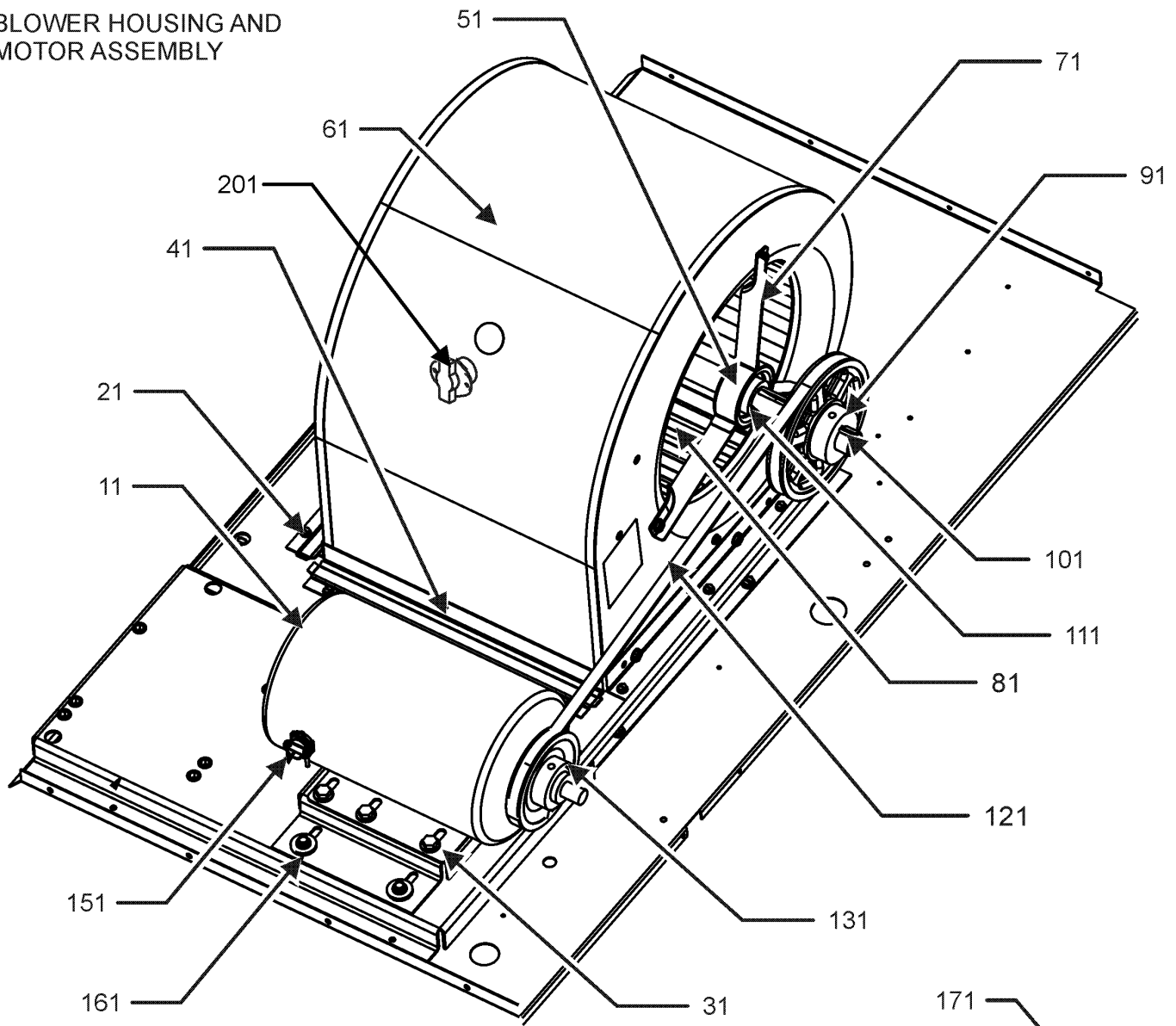


Partition Assembly

Ref. Part No:	Description:	Ref. Part No:	Description:
Image 1:		Expanded Model Nomenclature	
11	0201L00141 TUBING ASSY, COND COIL	M1	- DSG0480703BXXXAA
21	0202L00163 TUBING ASSY, EVAP COIL	M2	- DSG0480704BXXXAA
31	0121L00252 BLOCKOFF-EVAPORATOR	M3	- DSG0480903BAXNAA
41	0121L00303 FILTER ANGLE-VERTICAL (HAIRPIN SIDE)	M4	- DSG0480903BBXXAA
51	0121L00287 FILTER ANGLE-VERTICAL (RETURN SIDE)	M5	- DSG0480903BFXXAA
61	0121L00932 FILTER ANGLE-HORIZONTAL (QTY 2)	M6	- DSG0480903BHXBAA
71	0121L01255 ANGLE-FILTER CENTER	M7	- DSG0480903BHXXAA
211	0121L00882 COND BLOCK-OFF	M8	- DSG0480903BJDDAA
221	0121L00939 CONDENSER BLOCKOFF PLATE	M9	- DSG0480903BVSXAA
231	0121L00238 DRAIN PAN SUPPORT	M10	- DSG0480903BWBBA
241	0161L00005 DRAIN PAN	M11	- DSG0480903BWXEAA
251	0121L02123 DECK SIDE CHANNEL	M12	- DSG0480903BWXNAA
271	0121L00254 COND MOUNTING ANGLE	M13	- DSG0480903BXXXAA
301	0121L00300 SUPPORT POST-DECK	M14	- DSG0480904BHXBAA
321	0163L00071 DRAIN PLUG	M15	- DSG0480904BVXMAA
331	0154L00009 DRAIN PAN GASKET	M16	- DSG0480904BWXAA
461	0121L00293 BACK ANGLE-HEAT EXCHANGER (QTY 2)	M17	- DSG0480904BXXXAA
471	0121L00266 HEAT PANEL CHANNEL (QTY 2)	M18	- DSG0481153BRJEAA
481	0121L01575 BLOWER DECK	M19	- DSG0481153BWXATA
491	0130M00063 PRIMARY LIMIT - GOLD 140°	M20	- DSG0481153BWXAA
521	0121L00937 BRACKET-COND TIE DOWN	M21	- DSG0481153BXDXAA
NS	0160L00173 AIR FILTER 14 X 20 X 2 (QTY 4)	M22	- DSG0481153BXXXAA
NS	0121L01377 BLOWER DECK SUPPORT (M8, M21, M25, M27, M28)	M23	- DSG0481154BHXXAA
NS	A4568804 GROMMET-D (QTY 4)	M24	- DSG0481154BWXAAA
NS	0121L00321 SMOKE DETECTOR COVER	M25	- DSG0481154BXDXAA
		M26	- DSG0481154BXXXAA
		M27	- DSG0481157BHDAAA
		M28	- DSG0481157BXDXAA
		M29	- DSG0481157BXSXAA
		M30	- DSG0481157BXXXAA

Belt Drive Assembly

BLOWER HOUSING AND
MOTOR ASSEMBLY



MOUNTING PLATE ASSEMBLY

Belt Drive Assembly

Ref. Part
No: No:

Description:

Ref. Part
No: No:

Description:

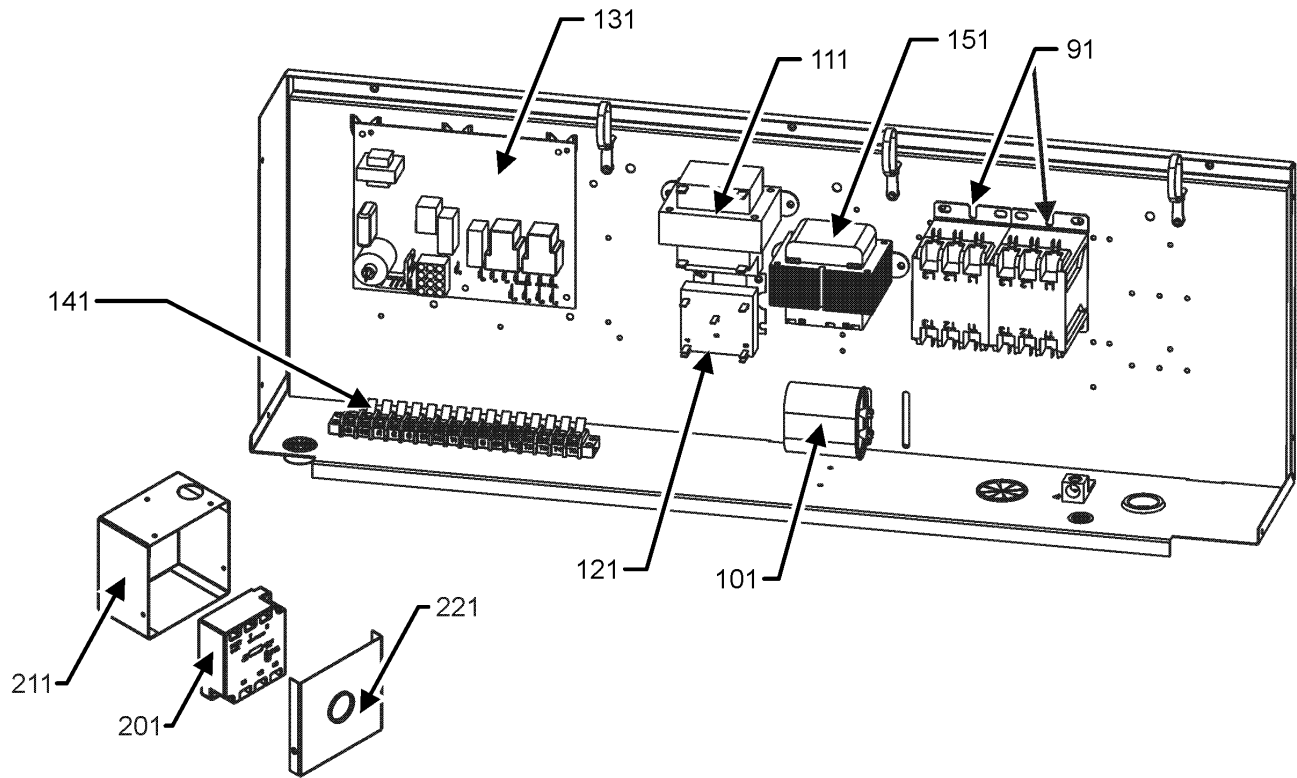
Image 1:

11	0131L00003	BELT DRIVE MOTOR 1 HP (M1, M2, M3, M4, M5, M6, M7, M8, M9, M10, M11, M12, M13, M14, M15, M16, M17, M18, M19, M20, M21, M22, M23, M24, M25, M26)
11	0131L00004	BELT DRIVE MOTOR 1.5 HP 575V (M27, M28, M29, M30)
21	0121L00297	BLOWER SIDE ANGLE (QTY 3)
31	0121L01619	MOTOR BASE
41	0121L00281	BLOWER MOUNTING ANGLE
51	0163L00005	BELT DRIVE BLOWER SHAFT
61	2539302F	BLOWER HOUSING 11 X 10
71	B3201300	MOUNTING BRACKET BEARING (QTY 2)
81	B1368056	BELT DRIVE BLOWER WHEEL
91	0163L00135	SHEAVE, FIXED AK66H
101	B1398604	STEEL KEY (000158812) 2.0"
111	B1399500	BALL BEARING 1.00" (QTY 2)
121	0164L00010	FAN BELT, NOTCHED
131	0163L00024	VARIABLE PITCH SHEAVE 1VL40 X 5/8"
151	B1393726	ELECT. CONNECTING BUSHING
161	B1393738	BOLT 1/4-20 X 3/4" (QTY 4)
171	0163M00045	BOLT 1/4-20 X 4"
181	3225000F	BELT TIGHTENER ANGLE
191	B1393023	NUT / LOCK .25-20
201	0130F00037	PRIMARY LIMIT - GRAY 150° (M1, M2, M18, M19, M20, M21, M22, M23, M24, M25, M26, M27, M28, M29, M30)
201	20162905	PRIMARY LIMIT-YELLOW (M3, M4, M5, M6, M7, M8, M9, M10, M11, M12, M13, M14, M15, M16, M17)
NS	1864703F	BLOWER CUT-OFF
NS	B1398603	STEEL KEY (000158812) 4.5"

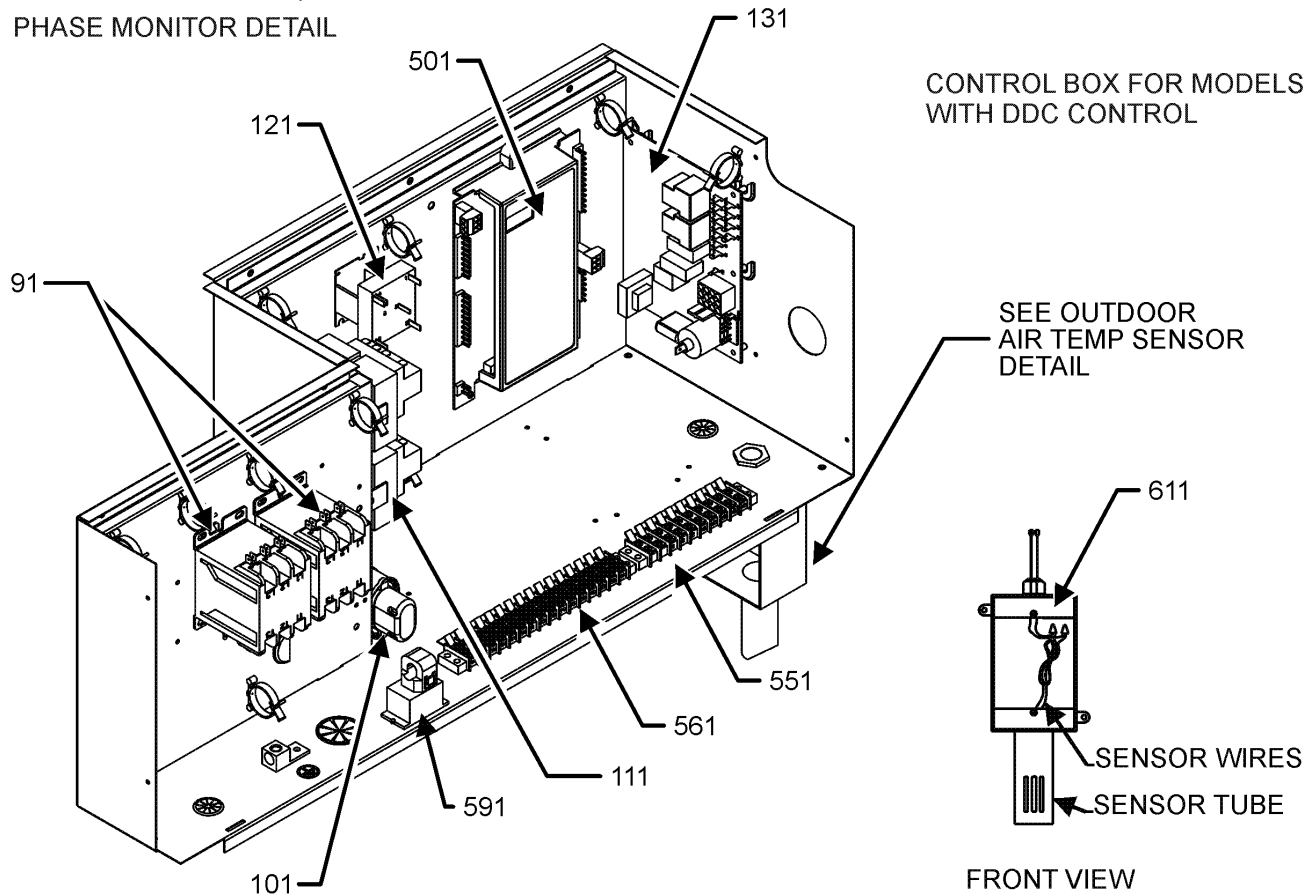
Expanded Model Nomenclature

M1 - DSG0480703BXXXAA
M2 - DSG0480704BXXXAA
M3 - DSG0480903BAXNAA
M4 - DSG0480903BBXXAA
M5 - DSG0480903BFXXAA
M6 - DSG0480903BHXBAA
M7 - DSG0480903BHXXAA
M8 - DSG0480903BJDDAA
M9 - DSG0480903BVSXAA
M10 - DSG0480903BWBBA
M11 - DSG0480903BWXEAA
M12 - DSG0480903BWXNAA
M13 - DSG0480903BXXXAA
M14 - DSG0480904BHXBAA
M15 - DSG0480904BVXMAA
M16 - DSG0480904BWXXAA
M17 - DSG0480904BXXXAA
M18 - DSG0481153BRJEAA
M19 - DSG0481153BWXATA
M20 - DSG0481153BWXXAA
M21 - DSG0481153BXDXAA
M22 - DSG0481153BXXXAA
M23 - DSG0481154BHXXAA
M24 - DSG0481154BWXAAA
M25 - DSG0481154BXDXAA
M26 - DSG0481154BXXXAA
M27 - DSG0481157BHDAAA
M28 - DSG0481157BXDXAA
M29 - DSG0481157BXSXAA
M30 - DSG0481157BXXXAA

Control Box Assembly



PHASE MONITOR DETAIL



FRONT VIEW

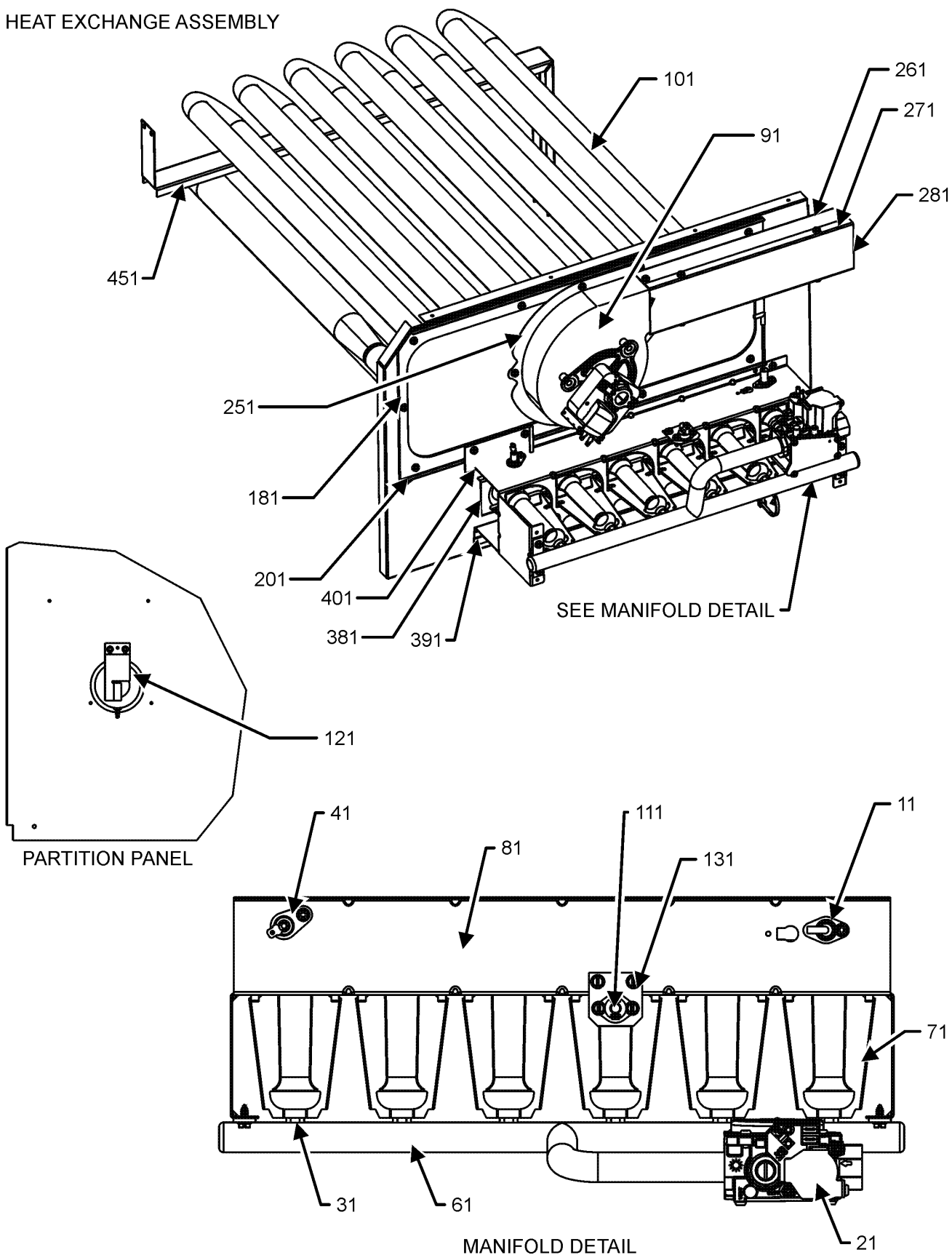
OUTDOOR AIR TEMP SENSOR DETAIL

Control Box Assembly

Ref. Part No:	No:	Description:	Ref. Part No:	No:	Description:
Image 1:			Image 1:		
91	CONT3P025024V	CONTACTOR 25 AMP, 3P, 24V (M2, M14, M15, M16, M17, M23, M24, M25, M26, M27, M28, M29, M30)	NS	0259L00069	WIRING HARNESS
91	CONT3P030024V	CONTACTOR 30 AMP, 3P, 24V (M1, M3, M4, M5, M6, M7, M8, M9, M10, M11, M12, M13, M18, M19, M20, M21, M22)	NS	0259L00070	WIRING HARNESS (M19)
101	CAP075000440LA	CAP 7.5 MFD/440V/OVAL (M2, M14, M16, M17, M23, M24, M25, M26)	NS	0259L00071	WIRING HARNESS (M15)
101	CAP030000440LA	CAPACITOR 3/440V (M27, M28, M29, M30)	Expanded Model Nomenclature		
101	CAP050000370LA	CAPACITOR 5/370V (M4, M5, M15, M18)	M1 - DSG0480703BXXXAA		
101	CAP050000440LA	CAPACITOR 5/440V (M1, M3, M6, M7, M8, M9, M10, M11, M12, M13, M19, M20, M21, M22)	M2 - DSG0480704BXXXAA		
111	0130M00138	TRANSFORMER 208/230, 24V (M1, M3, M4, M5, M6, M7, M8, M9, M10, M11, M12, M13, M18, M19, M20, M21, M22)	M3 - DSG0480903BAXNAA		
111	0130M00145	TRANSFORMER 480V to 24V, 75VA (M2, M14, M15, M16, M17, M23, M24, M25, M26)	M4 - DSG0480903BBXXAA		
111	0130M00148	TRANSFORMER 575V to 24V, 75VA (M27, M28, M29, M30)	M5 - DSG0480903BFXXAA		
121	0130M00025	24V RELAY	M6 - DSG0480903BHXBAA		
131	PCBAG123	IGNITION BOARD, DSI INTEGRATED	M7 - DSG0480903BHXXAA		
141	0130M00038	TERMINAL BOARD (M1, M2, M3, M6, M7, M8, M9, M10, M11, M12, M13, M14, M15, M16, M17, M19, M20, M21, M22, M23, M24, M25, M26, M27, M28, M29, M30)	M8 - DSG0480903BJDDAA		
151	0130M00146	TRANSFORMER 480V TO 230V, 150VA (M2, M14, M15, M16, M17, M23, M24, M25, M26)	M9 - DSG0480903BVSXAA		
151	0130M00147	TRANSFORMER 575V TO 230V, 150VA (M27, M28, M29, M30)	M10 - DSG0480903BWBBA		
201	0130L00105	PHASE MONITOR (M10)	M11 - DSG0480903BWXEAA		
211	0121L01468	CONTROL, PH MON BOX (M10)	M12 - DSG0480903BWXNAA		
221	0121L01467	CONTROL, PH MON LID (M10)	M13 - DSG0480903BXXXAA		
501	PCBCG100	DDC Controller (M4, M5, M18)	M14 - DSG0480904BHXBAA		
551	0130M00274	TERMINAL BOARD (M4, M5, M18)	M15 - DSG0480904BVXMAA		
561	0130M00275	TERMINAL BOARD (M4, M5, M18)	M16 - DSG0480904BWXAA		
591	0259L00368	CURRENT SWITCH WITH TERMS (M4, M5, M18)	M17 - DSG0480904BXXXAA		
611	0130L00108	OD Air Temp Sensor (M4, M5, M18)	M18 - DSG0481153BRJEEA		
NS	B821700	CAPACITOR BOOT (M4, M5, M18)	M19 - DSG0481153BWXTAA		
NS	20520901	CAPACITOR STRAP	M20 - DSG0481153BWXXAA		
NS	0259L00074	CONTROL HARNESS (M1, M3, M4, M5, M6, M7, M8, M9, M10, M11, M12, M13, M18, M19, M20, M21, M22)	M21 - DSG0481153BXDXAA		
NS	0259L00075	CONTROL HARNESS (M2, M14, M15, M16, M17, M23, M24, M25, M26, M27, M28, M29, M30)	M22 - DSG0481153BXXXAA		
NS	0130L00112	Duct Temp Sensor (M4, M5, M18)	M23 - DSG0481154BHXXAA		
NS	0259L00179	HARNESS, ECONOMIZER	M24 - DSG0481154BWXAAA		
NS	0259L00125	HARNESS, WIRING (M18, M19, M20, M21, M22)	M25 - DSG0481154BXDXAA		
NS	0259L00092	HARNESS-SMOKE DETECTOR SENSOR (M19)	M26 - DSG0481154BXXXAA		
NS	0130L00107	ROOM SENSOR (M4, M5, M18)	M27 - DSG0481157BHDAAA		
NS	0259L00427	WIRE ASSY (M10)	M28 - DSG0481157BXDXAA		
NS	0259L00428	WIRE ASSY (M10)	M29 - DSG0481157BXSXAA		
NS	0259L00500	WIRE HARNESS (M18)	M30 - DSG0481157BXXXAA		
NS	0259L00090	WIRE HARNESS-SMOKE DETECTOR (M19)			
NS	0259L00428	WIRE, HARNESS ASSY (M10)			
NS	0259L00427	WIRE, HARNESS ASSY. (M10)			
NS	0259L00054	WIRING HARNESS (M4, M5, M18)			
NS	0259L00060	WIRING HARNESS (M2, M14, M15, M16, M17, M23, M24, M25, M26)			
NS	0259L00065	WIRING HARNESS			

Heat Exchange Assembly

HEAT EXCHANGE ASSEMBLY



Heat Exchange Assembly

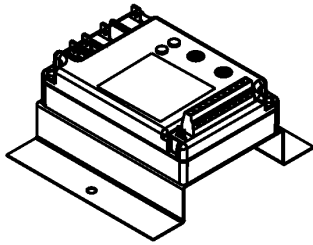
Ref. Part No: No:	Description:	Ref. Part No: No:	Description:
Image 1:		Expanded Model Nomenclature	
11	20261709	IGNITOR	M1 - DSG0480703BXXXAA
21	0151F00000P	GAS VALVE - WHITE-RODGERS 2-STAGE	M2 - DSG0480704BXXXAA
31	0163F00018	ORIFICE (QTY 3)	M3 - DSG0480903BAXNAA
41	0130F00010	FLAME SENSOR	M4 - DSG0480903BBXXAA
61	0163L00026	MANIFOLD - 4 BRNR (M3, M4, M5, M6, M7, M8, M9, M10, M11, M12, M13, M14, M15, M16, M17)	M5 - DSG0480903BFXXAA
61	0163L00029	MANIFOLD - 5 BRNR (M18, M19, M20, M21, M22, M23, M24, M25, M26, M27, M28, M29, M30)	M6 - DSG0480903BHXBAA
61	0163L00143	MANIFOLD, GAS 3 BURNER (M1, M2)	M7 - DSG0480903BHXXAA
71	10735102	BECKETT BURNER (QTY 3)	M8 - DSG0480903BJDDAA
81	0121L02164	BRKT-BURNER 3B FUR (M1, M2)	M9 - DSG0480903BVSXAA
81	20190412	BURNER BRACKET 4B (M3, M4, M5, M6, M7, M8, M9, M10, M11, M12, M13, M14, M15, M16, M17)	M10 - DSG0480903BWBBA
81	20190413	BURNER BRACKET 5B (M18, M19, M20, M21, M22, M23, M24, M25, M26, M27, M28, M29, M30)	M11 - DSG0480903BWXEAA
91	0131M00121	ID COMBUSTION BLOWER	M12 - DSG0480903BWXNAA
101	0270L00092	PART/TUBE ASSY 4B (M3, M4, M5, M6, M7, M8, M10, M11, M12, M13, M14, M15, M16, M17)	M13 - DSG0480903BXXXAA
101	0270L00105	PART/TUBE ASSY 4B (M9)	M14 - DSG0480904BHXBAA
101	0270L00110	PART/TUBE ASSY 5B (M19, M20, M21, M22, M23, M24, M25, M26, M27, M28, M30)	M15 - DSG0480904BVXMAA
101	0270L00111	PART/TUBE ASSY 5B (M18, M29)	M16 - DSG0480904BWXAA
101	0270L00940	PART/TUBE ASSY, 3B (M1, M2)	M17 - DSG0480904BXXXAA
111	10123532	MANUAL RESET LIMIT 350°F	M18 - DSG0481153BRJEAA
121	11112501	PRESSURE SWITCH	M19 - DSG0481153BWXATA
131	0121L00053	FLAME ROLLOUT BRACKET	M20 - DSG0481153BWXAA
181	0154L00018	ID BLOWER PLATE GASKET 4 BRNR (M1, M2, M3, M4, M5, M6, M7, M8, M9, M10, M11, M12, M13, M14, M15, M16, M17)	M21 - DSG0481153BXDXAA
181	0154L00017	ID BLOWER PLATE GASKET 6 BRNR (M18, M19, M20, M21, M22, M23, M24, M25, M26, M27, M28, M29, M30)	M22 - DSG0481153BXXXAA
201	0121L00284	ID BLOWER PLATE 4 BRNR (M1, M2, M3, M4, M5, M6, M7, M8, M9, M10, M11, M12, M13, M14, M15, M16, M17)	M23 - DSG0481154BHXXAA
201	0121L00318	ID BLOWER PLATE 6 BRNR (M18, M19, M20, M21, M22, M23, M24, M25, M26, M27, M28, M29, M30)	M24 - DSG0481154BWXAAA
251	0154L00020	ID BLOWER GASKET	M25 - DSG0481154BXDXAA
261	0121L00277	FLUE CHANNEL	M26 - DSG0481154BXXXAA
271	0121L00278	FLUE SIDE COVER	M27 - DSG0481157BHDAAA
281	0163L00072	SCREEEN-FLUE	M28 - DSG0481157BXDXAA
381	11072202	ORIFICE SHIELD (M1, M2)	M29 - DSG0481157BXSXAA
381	11072203	ORIFICE SHIELD (M3, M4, M5, M6, M7, M8, M9, M10, M11, M12, M13, M14, M15, M16, M17)	M30 - DSG0481157BXXXAA
381	11072204	ORIFICE SHIELD (M18, M19, M20, M21, M22, M23, M24, M25, M26, M27, M28, M29, M30)	
391	0121L00267	BURNER SLIDE BRACKET	
401	0121L00268	RETAINER-BURNER ASSY (M18, M19, M20, M21, M22, M23, M24, M25, M26, M27, M28, M29, M30)	
451	0121L02617	BRACKET-HEAT EXCHANGER	

Accessory Parts List

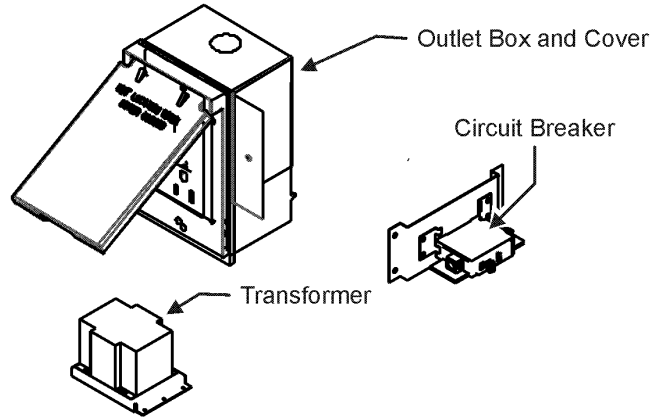
ACCESSORY PARTS LIST

NOTE: NOT ALL OPTIONS AVAILABLE FOR ALL PRODUCTS

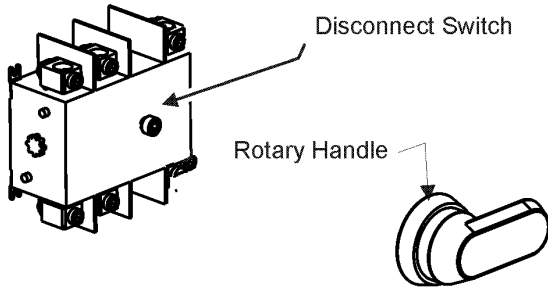
1 LOW AMBIENT KITS



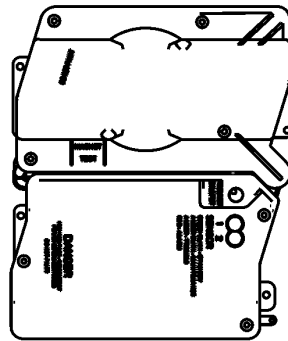
2 GFCI CONVENIENCE OUTLET



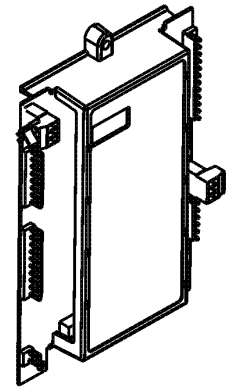
3 DISCONNECT MODULE (NON-FUSED)



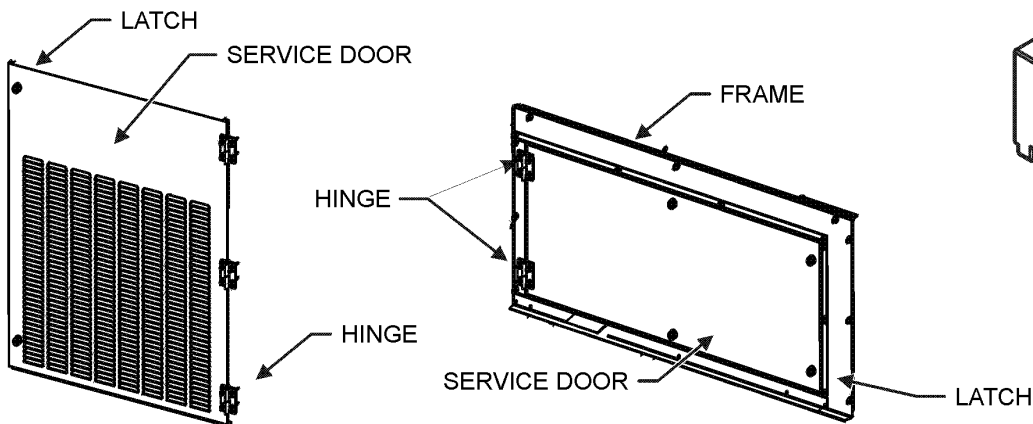
4 SMOKE DETECTORS



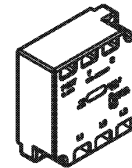
5 DDC CONTROL



6 HINGED DOOR ASSEMBLIES



7 PHASE MONITOR



Accessory Parts List

Ref. Part No: No:	Description:	Ref. Part No: No:	Description:
<i>Image 1:</i>		Expanded Model Nomenclature	
NS 1036609C	3-6 TON DFLOW ECONOMIZER (M3, M8)	M1 - DSG0480703BXXXAA	
NS DDNECNJ3672C	3-6 TON DFLOW ECONOMIZER (M9, M10, M11, M12, M15, M16, M19, M20, M24)	M2 - DSG0480704BXXXAA	
NS 10366D09C	3-6 TON DFLOW ECONOMIZER, DDC (M5, M18)	M3 - DSG0480903BAXNAA	
NS 0121L01373NG	BLOWER DOOR FRAME (M8, M21, M25, M27, M28)	M4 - DSG0480903BBXXAA	
NS 0121L01371NG	BLOWER SERVICE DOOR, BACK (M8, M21, M25, M27, M28)	M5 - DSG0480903BFXXAA	
NS 0121L01370NG	BLOWER SERVICE DOOR, FRONT (M8, M21, M25, M27, M28)	M6 - DSG0480903BHXBAA	
NS 0121L01934	BRACKET SMOKE DETECTOR (M19)	M7 - DSG0480903BHXXAA	
NS 0121L00316	BRACKET-CONV OUTLET MOUNT (M3, M6, M10, M12, M14, M15, M19, M24, M27)	M8 - DSG0480903BJDDAA	
NS 0121L00835	BRACKET-DISCONNECT SWITCH (M6, M7, M8, M10, M11, M12, M14, M16, M18, M19, M20, M23, M24, M27)	M9 - DSG0480903BVSXAA	
NS 0130M00065	CIRCUIT BREAKER, CONVENIENCE OUTLET (M3, M6, M10, M12, M14, M15, M19)	M10 - DSG0480903BWBBA	
NS 0121L00837NG	DISCONNECT COVER (M6, M7, M8, M10, M11, M12, M14, M16, M18, M19, M20, M23, M24, M27)	M11 - DSG0480903BWXEAA	
NS 0130L00012	GANG BOX-GFCI OUTLET (M3, M6, M10, M12, M14, M15, M19, M24, M27)	M12 - DSG0480903BWXNAA	
NS 0130L00039	HANDLE, ROTARY (M6, M7, M8, M10, M11, M12, M14, M16, M18, M19, M20, M23, M24, M27)	M13 - DSG0480903BXXXAA	
NS 0163M00307	HINGE, LEFT HAND (M8, M21, M25, M27, M28)	M14 - DSG0480904BHXBAA	
NS 0163M00308	HINGE, RIGHT HAND (M8, M21, M25, M27, M28)	M15 - DSG0480904BVXMAA	
NS 0163M00322	LATCH (M8, M21, M25, M27, M28)	M16 - DSG0480904BWXAA	
NS 0121L01327NG	LOUVERED CP SERVICE DOOR (M8, M21, M25, M27, M28)	M17 - DSG0480904BXXXAA	
NS 0130M00058	LOW AMBIENT KIT (M15, M19)	M18 - DSG0481153BRJEAA	
NS 0161G00012	POWER OUTLET BOX (M3, M6, M10, M12, M14, M15, M19, M24, M27)	M19 - DSG0481153BWXATA	
NS 0130L00103	RECEPTACLE-GFCI OUTLET (M3, M6, M10, M12, M14, M15, M19, M24, M27)	M20 - DSG0481153BWXAA	
NS 0130L00042	SHAFT, CUT (M6, M7, M8, M10, M11, M12, M14, M16, M18, M19, M20, M23, M24, M27)	M21 - DSG0481153BXXAA	
NS 0130L00049	SHAFT, DISCONNECT (M6, M7, M8, M10, M11, M12, M14, M16, M18, M19, M20, M23, M24, M27)	M22 - DSG0481153BXXXAA	
NS D4120	SMOKE DETECTOR, PHOTO 4WIRE (M19)	M23 - DSG0481154BHXXAA	
NS D4S	SMOKE DETECTOR, SENSOR ONLY (M19)	M24 - DSG0481154BWXAAA	
NS 0130L00046	SWITCH-DISCONNECT 60A (M6, M7, M8, M10, M11, M12, M14, M16, M18, M19, M20, M23, M24, M27)	M25 - DSG0481154BXXAA	
NS 0130M00061	TRANSFORMER, CONVENIENCE OUTLET (M3, M6, M10, M12, M14, M15, M19)	M26 - DSG0481154BXXXAA	
		M27 - DSG0481157BHDAAA	
		M28 - DSG0481157BXXAA	
		M29 - DSG0481157BXSXAA	
		M30 - DSG0481157BXXXAA	