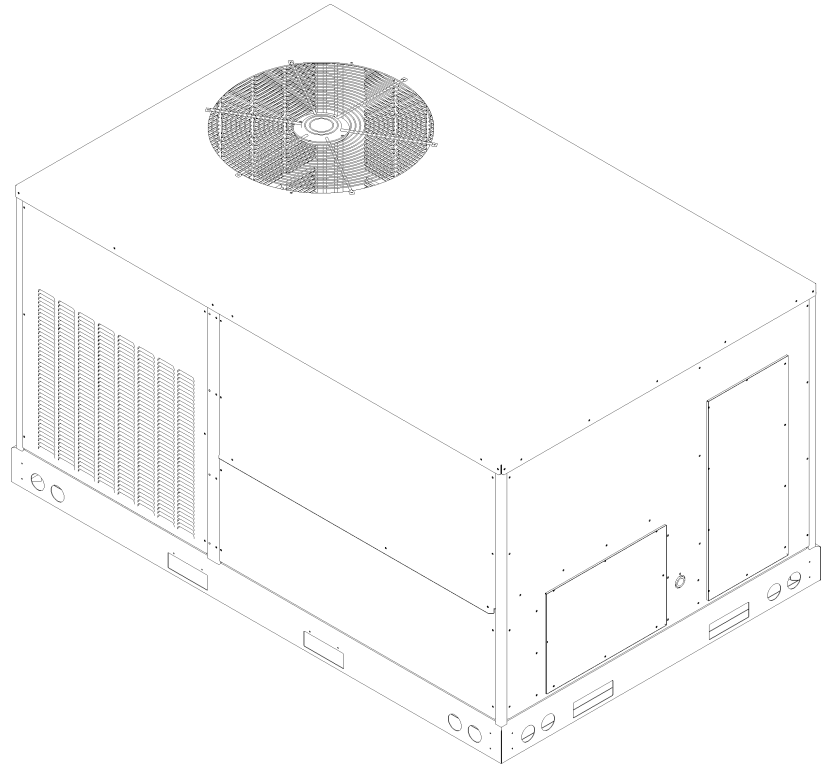


Commercial 3 Ton Belt Drive Package Gas Unit

DSG0360453BAXNAA
DSG0360453BBXXAA
DSG0360453BVXCAA
DSG0360453BVXXAA
DSG0360453BWXGAA
DSG0360453BXXXAA
DSG0360454BBXXAA
DSG0360454BFXXAA
DSG0360454BHXXAA
DSG0360454BXXXAA
DSG0360703BXXXAA
DSG0360704BXXXAA
DSG0360903BHDDAA
DSG0360903BRJEA
DSG0360903BWSXAA
DSG0360903BWXAAA
DSG0360903BWXATA
DSG0360903BXDXAA
DSG0360903BXXXAA
DSG0360904BFMXAA
DSG0360904BFXXAA
DSG0360904BHXXAA
DSG0360904BWSFAA
DSG0360904BWXAAA
DSG0360904BWXBAA
DSG0360904BXXXAA
DSG0360907BHDAAA
DSG0360907BXDXAA
DSG0360907BXSXAA
DSG0360907BXXXAA



This manual is to be used by qualified technicians only.

This manual replaces RP-D1113F.

Important Information

Index

Functional Parts List	3
Illustration and Parts	4 - 17

Views shown are for parts illustrations only, not servicing procedures

Text Codes:

AR - As Required

NA - Not Available

NS - Not Shown

00000000 - See Note

QTY - Quantity Example (QTY 3) (If Quantity not shown, Quantity = 1)

M - Model Example (M1) (If M Code not shown, then part is used on all Models)

Expanded Model Nomenclature:

Example M1 - Model#1 M2 - Model#2 M3 - Model#3

Daikin Company, L.P. is not responsible for personal injury or property damage resulting from improper service. Review all service information before beginning repairs.

Warranty service must be performed by an authorized technician, using authorized factory parts. If service is required after the warranty expires, Daikin Company, L.P. also recommends contacting an authorized technician and using authorized factory parts.

Daikin Company, L.P. reserves the right to discontinue, or change at any time, specifications or designs without notice or without incurring obligations.

For assistance within the U.S.A. contact:

Equipment Support
Daikin North America, LLC
19001 Kermier Road
Waller, Texas 77484
855-770-5678-Telephone
713-863-2382-Facsimile

For assistance outside the U.S.A. contact:

International Division
Daikin North America, LLC
19001 Kermier Road
Waller, Texas 77484
713-861-2500-Telephone
713-863-2382-Facsimile

Functional Parts

Part

No: Description:

Part No:	Description:	Part No:	Description:
0130M00025	24V RELAY	0130F00038	PRIMARY LIMIT - LT BLUE 120° (AUX) (M1, M2, M3, M4, M5, M6, M7, M8, M9, M10)
10735102	BECKETT BURNER (QTY 2)	20162905	PRIMARY LIMIT-YELLOW (M13, M14, M15, M16, M17, M18, M19, M20, M21, M22, M23, M24, M25, M26, M27, M28, M29, M30)
B1368056	BELT DRIVE BLOWER WHEEL	0130M00275	TERMINAL BOARD (M2, M7, M8, M14, M20, M21)
0131L00003	BELT DRIVE MOTOR 1 HP (M1, M2, M3, M4, M5, M6, M7, M8, M9, M10, M11, M12, M13, M14, M15, M16, M17, M18, M19, M20, M21, M22, M23, M24, M25, M26)	0130M00038	TERMINAL BOARD
0131L00004	BELT DRIVE MOTOR 1.5 HP 575V (M27, M28, M29, M30)	0130M00274	TERMINAL BOARD (M2, M7, M8, M14, M20, M21)
CAP075000440LA	CAP 7.5 MFD/440V/OVAL (M9, M10, M12, M22, M23, M24, M25, M26)	0130M00138	TRANSFORMER 208/230, 24V (M1, M2, M3, M4, M5, M6, M11, M13, M14, M15, M16, M17, M18, M19)
CAP030000440LA	CAPACITOR 3/440V (M27, M28, M29, M30)	0130M00146	TRANSFORMER 480V TO 230V, 150VA (M7, M8, M9, M10, M12, M20, M21, M22, M23, M24, M25, M26)
CAP050000370LA	CAPACITOR 5/370V (M2, M14)	0130M00145	TRANSFORMER 480V to 24V, 75VA (M7, M8, M9, M10, M12, M20, M21, M22, M23, M24, M25, M26)
CAP050000440LA	CAPACITOR 5/440V (M1, M3, M4, M5, M6, M11, M13, M15, M16, M17, M18, M19)	0130M00147	TRANSFORMER 575V TO 230V, 150VA (M27, M28, M29, M30)
CAP075000370LA	CAPACITOR 7.5/370V (M7, M8, M20, M21)	0130M00148	TRANSFORMER 575V to 24V, 75VA (M27, M28, M29, M30)
ZP31K5ETFE130	COMPRESSOR 31100, 575/60/3 (M27, M28, M29, M30)		
ZP31K5ETF5130	COMPRESSOR 31200, 200/230/60/3 (M1, M2, M3, M4, M5, M6, M11, M13, M14, M15, M16, M17, M18, M19)		
ZP31K5ETFD130	COMPRESSOR 31200, 460/60/3 (M7, M8, M9, M10, M12, M20, M21, M22, M23, M24, M25, M26)		
0131M00432	COND MOTOR 380/460/50/60 CYCLE (M7, M8, M9, M10, M12, M20, M21, M22, M23, M24, M25, M26)		
0131M00431	COND MOTOR 575V (M27, M28, M29, M30)		
CONT3P025024V	CONTACTOR 25 AMP, 3P, 24V (M7, M8, M9, M10, M12, M20, M21, M22, M23, M24, M25, M26, M27, M28, M29, M30)		
CONT3P030024V	CONTACTOR 30 AMP, 3P, 24V (M1, M2, M3, M4, M5, M6, M11, M13, M14, M15, M16, M17, M18, M19)		
0259L00368	CURRENT SWITCH WITH TERMS (M2, M7, M8, M14, M20, M21)		
0130M00209	CUT-OUT SWITCH, HIGH PRESSURE		
0130L00007	CUT-OUT SWITCH, LOW PRESSURE		
PCBCG100	DDC Controller (M2, M7, M8, M14, M20, M21)		
0130L00112	Duct Temp Sensor (M2, M7, M8, M14, M20, M21)		
0164L00010	FAN BELT, NOTCHED (M27, M28, M29, M30)		
0150G00004	FAN BLADE		
0130F00010	FLAME SENSOR		
0151F00000P	GAS VALVE - WHITE-RODGERS 2-STAGE (M11, M12, M13, M14, M15, M16, M17, M18, M19, M20, M21, M22, M23, M24, M25, M26, M27, M28, M29, M30)		
0151M00013	GAS VALVE (HW) SINGLE STAGE (M1, M2, M3, M4, M5, M6, M7, M8, M9, M10)		
PCBAG123	IGNITION BOARD, DSI INTEGRATED		
20261709	IGNITOR		
10123532	MANUAL RESET LIMIT 350°F		
0131M00847	MOTOR, 1/4 HP, 1 SP, 6 PL (M1, M2, M4, M5, M6, M11, M13, M14, M15, M16, M17, M18, M19)		
0131L00061	Motor, Cond, 1/4 HP, 208/230V (M3, M17, M23)		
0164L00000	NOTCHED FAN BELT AX51 (M1, M2, M3, M4, M5, M6, M7, M8, M9, M10, M11, M12, M13, M14, M15, M16, M17, M18, M19, M20, M21, M22, M23, M24, M25, M26)		
0130L00108	OD Air Temp Sensor (M2, M7, M8, M14, M20, M21)		
11112501	PRESSURE SWITCH		

Expanded Model Nomenclature

M1 - DSG0360453BAXNAA
M2 - DSG0360453BBXXAA
M3 - DSG0360453BVXCAA
M4 - DSG0360453BVXXAA
M5 - DSG0360453BWXGAA
M6 - DSG0360453BXXXAA
M7 - DSG0360454BBXXAA
M8 - DSG0360454BFXXAA
M9 - DSG0360454BHXXAA
M10 - DSG0360454BXXXAA
M11 - DSG0360703BXXXAA
M12 - DSG0360704BXXXAA
M13 - DSG0360903BHDDAA
M14 - DSG0360903BRJEEA
M15 - DSG0360903BWSXAA
M16 - DSG0360903BWXAAA
M17 - DSG0360903BWXATA
M18 - DSG0360903BXDXAA
M19 - DSG0360903BXXXAA
M20 - DSG0360904BFMXAA
M21 - DSG0360904BFXXAA
M22 - DSG0360904BHXXAA
M23 - DSG0360904BWSFAA
M24 - DSG0360904BWXAAA
M25 - DSG0360904BWXBAA
M26 - DSG0360904BXXXAA
M27 - DSG0360907BHDAAA
M28 - DSG0360907BXDXAA
M29 - DSG0360907BXSXAA
M30 - DSG0360907BXXXAA

Top Panel and Tubing Assembly

IMAGE 1

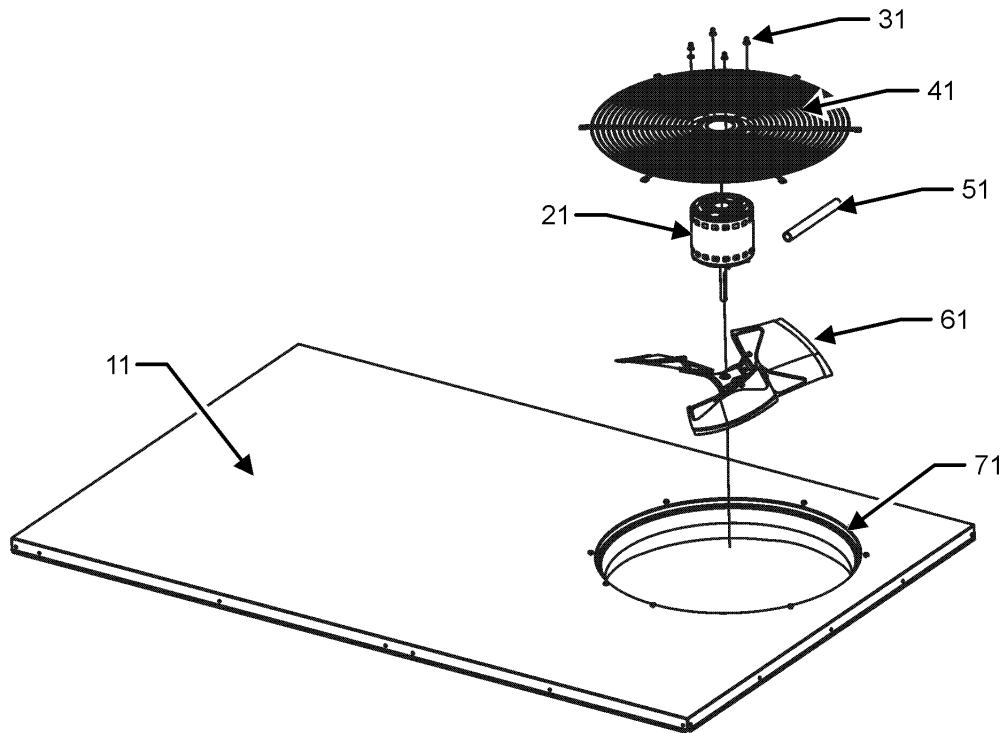
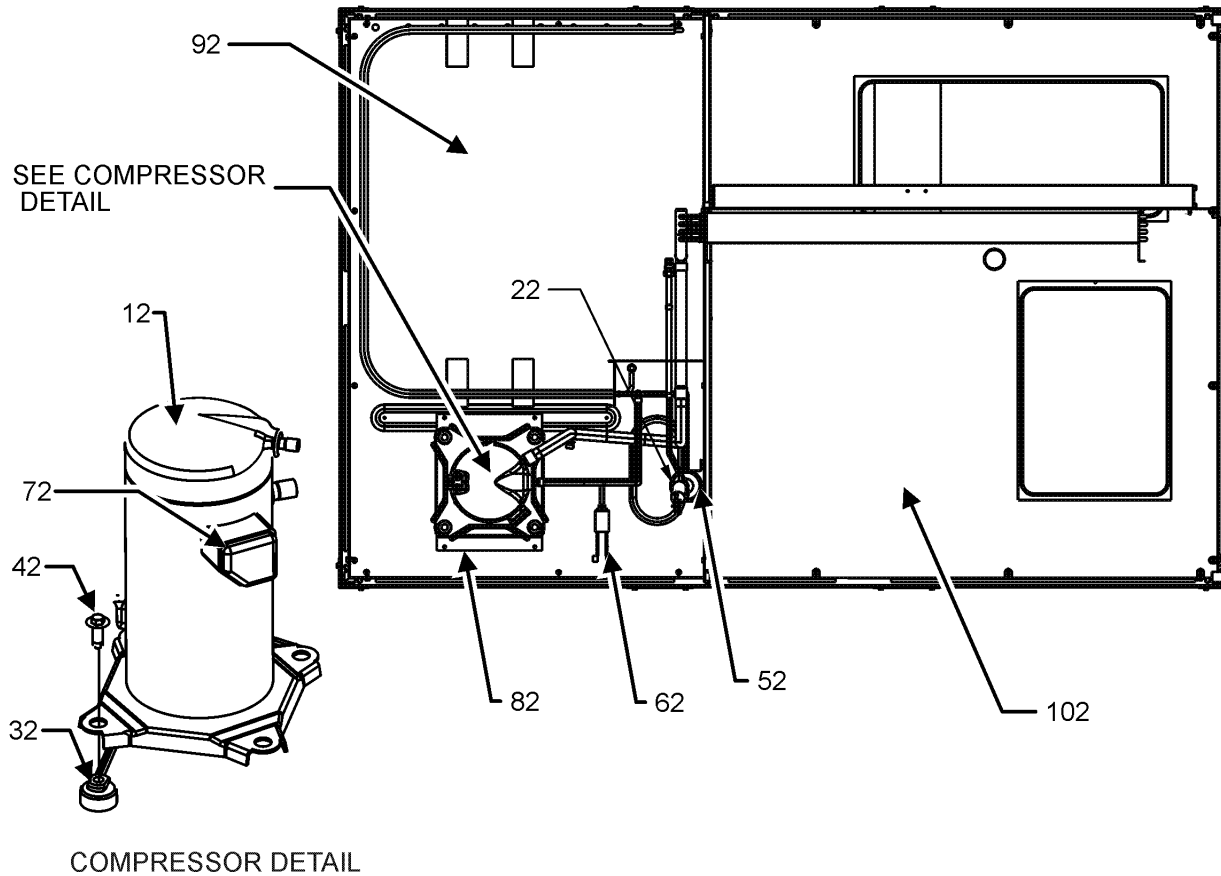


IMAGE 2



Top Panel and Tubing Assembly

**Ref. Part
No: No:**

Description:

**Ref. Part
No: No:**

Description:

Image 1:

11	0121L00235NG	TOP PANEL
21	0131M00432	COND MOTOR 380/460/50/60 CYCLE (M7, M8, M9, M10, M12, M20, M21, M22, M23, M24, M25, M26)
21	0131M00431	COND MOTOR 575V (M27, M28, M29, M30)
21	0131M00847	MOTOR, 1/4 HP, 1 SP, 6 PL (M1, M2, M4, M5, M6, M11, M13, M14, M15, M16, M17, M18, M19)
21	0131L00061	Motor, Cond, 1/4 HP, 208/230V (M3, M17, M23)
31	0163M00006P	ACORN NUT 5/16 HEX BLACK (QTY 4)
41	0152G00003	FAN GRILLE (M1, M2, M4, M5, M6, M7, M8, M9, M10, M11, M12, M13, M14, M15, M16, M18, M19, M20, M21, M22, M24, M25, M26, M27, M28, M29, M30)
41	0152G00000	FAN GRILLE, RAISED (M3, M17, M23)
51	17788000083F	PVC CONDUIT 8.25"
61	0150G00004	FAN BLADE
71	0161L00000	VENTURI RING 22"
NS	0163M00004	SCREW #10X3/4", BLACK (QTY 2)
NS	0163M00005P	WASHER, BLACK (.50 OD .218ID) (QTY 4)

Image 2:

12	ZP31K5ETFE130	COMPRESSOR 31100, 575/60/3 (M27, M28, M29, M30)
12	ZP31K5ETF5130	COMPRESSOR 31200, 200/230/60/3 (M1, M2, M3, M4, M5, M6, M11, M13, M14, M15, M16, M17, M18, M19)
12	ZP31K5ETFD130	COMPRESSOR 31200, 460/60/3 (M7, M8, M9, M10, M12, M20, M21, M22, M23, M24, M25, M26)
22	0130L00007	CUT-OUT SWITCH, LOW PRESSURE
32	B1339533	COMPRESSOR GROMMET (QTY 4)
42	M0221641	TF SHOULDER SCREW (QTY 4)
52	B1219225	SINGLE-FLOW FILTER DRIER, STEEL
62	0130M00209	CUT-OUT SWITCH, HIGH PRESSURE
72	0159L00065	COMPRESSOR SCROLL HARNESS
82	0121L00310	COMPRESSOR MOUNTING PLATE
92	0121L01990	BASE PAN-OUTDOOR
102	0121L00943	BASE PAN-INDOOR
NS	B1373315	ACCESS FITTING (QTY 2)
NS	0141L00003X	FORK BOARD (QTY 2)
NS	0121L00055	FORK BOARD BRACKET (QTY 4)

Expanded Model Nomenclature

M1 - DSG0360453BAXNAA
M2 - DSG0360453BBXXAA
M3 - DSG0360453BVXCAA
M4 - DSG0360453BVXXAA
M5 - DSG0360453BWXGAA
M6 - DSG0360453BXXXAA
M7 - DSG0360454BBXXAA
M8 - DSG0360454BFXXAA
M9 - DSG0360454BHXXAA
M10 - DSG0360454BXXXAA
M11 - DSG0360703BXXXAA
M12 - DSG0360704BXXXAA
M13 - DSG0360903BHDDAA
M14 - DSG0360903BRJEEA
M15 - DSG0360903BWSXAA
M16 - DSG0360903BWXAAA
M17 - DSG0360903BWXATA
M18 - DSG0360903BXDXAA
M19 - DSG0360903BXXXAA
M20 - DSG0360904BFMXAA
M21 - DSG0360904BFXXAA
M22 - DSG0360904BHXXAA
M23 - DSG0360904BWSFAA
M24 - DSG0360904BWXAAA
M25 - DSG0360904BWXBAA
M26 - DSG0360904BXXXAA
M27 - DSG0360907BHDAAA
M28 - DSG0360907BXDXAA
M29 - DSG0360907BXSXAA
M30 - DSG0360907BXXXAA

Cabinet Assembly

IMAGE 1

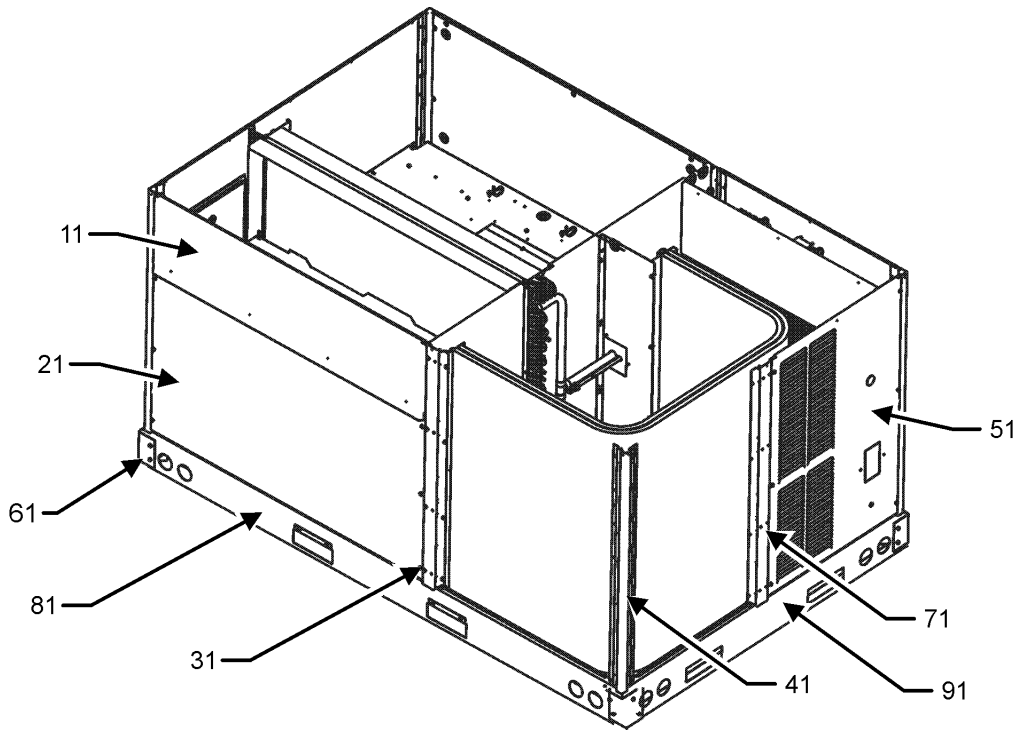
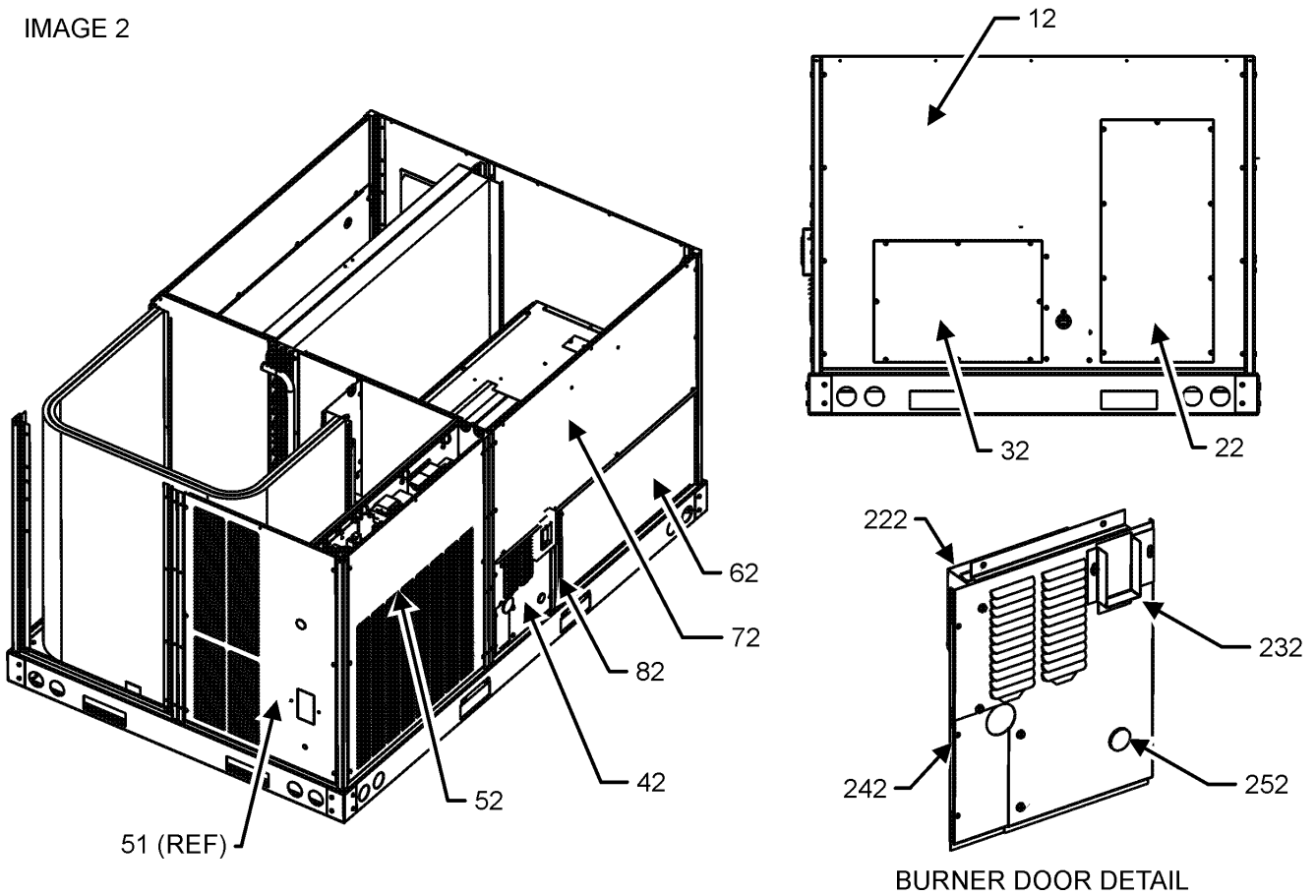


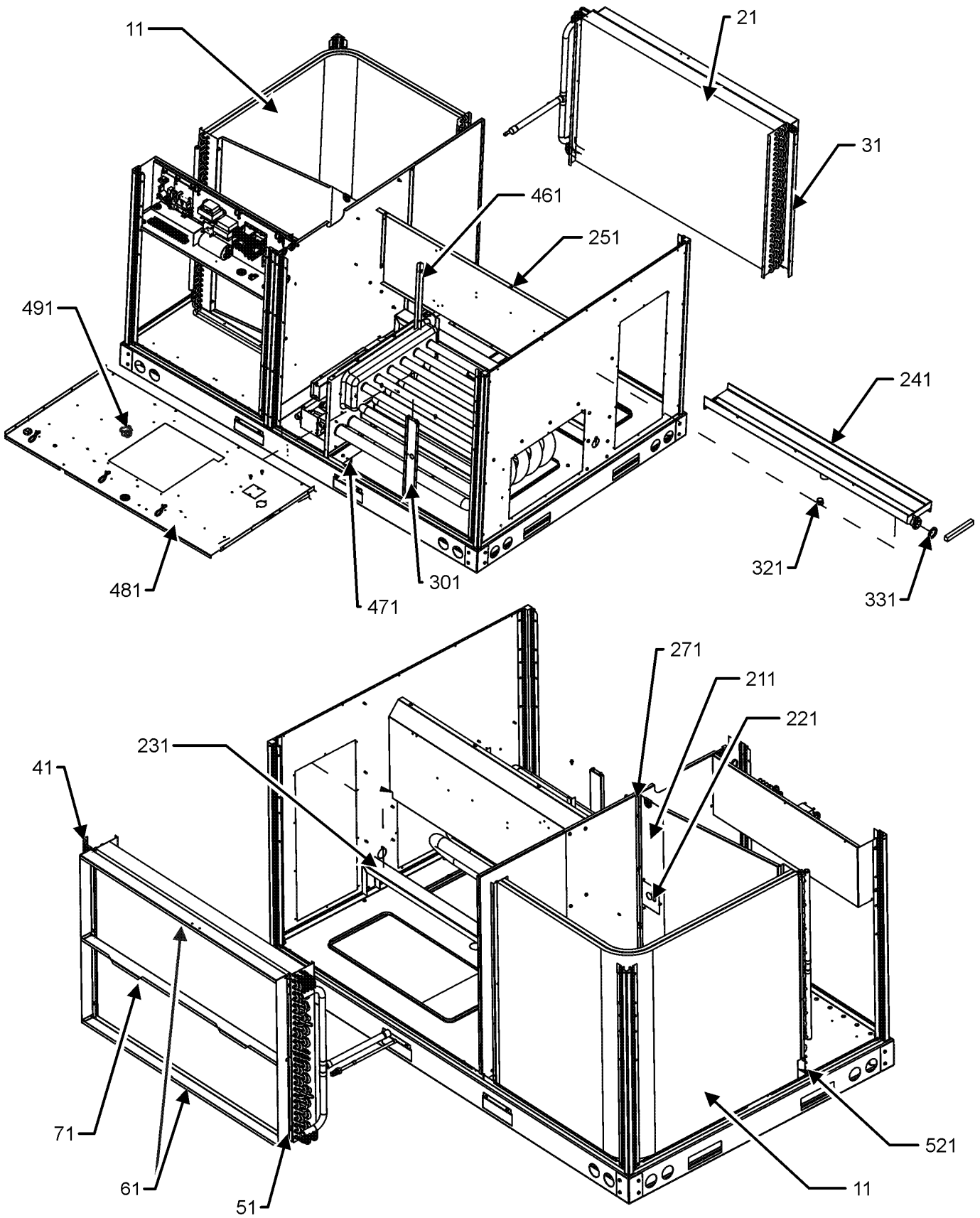
IMAGE 2



Cabinet Assembly

Ref. Part No:	Description:	Ref. Part No:	Description:
Image 1:		Expanded Model Nomenclature	
11	0270L00362NG FILTER DOOR	M1	- DSG0360453BAXNAA
21	0121L00976NG ECONOMIZER DOOR (M2, M3, M4, M5, M6, M7, M8, M9, M10, M11, M12, M13, M14, M15, M16, M17, M18, M19, M20, M21, M22, M23, M24, M25, M26, M27, M28, M29, M30)	M2	- DSG0360453BBXXAA
31	0121L00233RFNG POST-SIDE SUPPORT (QTY 2)	M3	- DSG0360453BVXCAA
41	0121L00237RFNG CORNER POST (QTY 4)	M4	- DSG0360453BVXXAA
41	0121L01935RFNG PNT, ROLL FORMED POST CORNER (M13, M18, M20, M27, M28)	M5	- DSG0360453BWXGAA
51	0121L00263NG LOUVERED COMPRESSOR PANEL (M1, M2, M3, M4, M6, M7, M8, M10, M11, M12, M18, M19, M20, M21, M26, M28, M29, M30)	M6	- DSG0360453BXXXAA
51	0121L00836NG PNT, COMP LOUVER DISC PNL (M5, M9, M13, M14, M15, M16, M17, M22, M23, M24, M25, M27)	M7	- DSG0360454BBXXAA
61	0121G00301 RAIL CORNER BRACKET (QTY 4)	M8	- DSG0360454BFXAA
71	0121L01374RFNG PNT, RL FMD SIDE POST SUPPORT (M13, M18, M20, M27, M28)	M9	- DSG0360454BHXXAA
71	0121L01159RFNG POST-SIDE SUPPORT (M1, M2, M3, M4, M5, M6, M7, M8, M9, M10, M11, M12, M14, M15, M16, M17, M19, M21, M22, M23, M24, M25, M26, M29, M30)	M10	- DSG0360454BXXXAA
81	0121L00244RF SIDE RAIL (QTY 2)	M11	- DSG0360703BXXXAA
91	0121L00245 END RAIL (QTY 2)	M12	- DSG0360704BXXXAA
NS	0121L01309 ECONOMIZER COVER (M1)	M13	- DSG0360903BHDDAA
NS	0164L00009 GASKET-RUBBER, CPOST (QTY 3)	M14	- DSG0360903BRJEEA
NS	0164L00011 GASKET-RUBBER, SIDE POST (QTY 3)	M15	- DSG0360903BWSXAA
Image 2:		M16	- DSG0360903BWXAAA
12	0121L00236NG DUCT PANEL	M17	- DSG0360903BWXATA
22	0121L00023NG RETURN DUCT COVER	M18	- DSG0360903BXXDAA
32	0121L00024NG SUPPLY DUCT COVER	M19	- DSG0360903BXXXAA
42	0121L01438NG BURNER DOOR	M20	- DSG0360904BFMXAA
52	0121L01121NG LOUVERED CONTROL PANEL (M1, M2, M3, M4, M5, M6, M7, M8, M9, M10, M11, M12, M14, M15, M16, M17, M19, M21, M22, M23, M24, M25, M26, M29, M30)	M21	- DSG0360904BFXXAA
52	0121L01327NG LOUVERED CONTROL PANEL (M13, M18, M20, M27, M28)	M22	- DSG0360904BHXXAA
62	0121L01108NG HEAT EXCHANGER DOOR	M23	- DSG0360904BWSFAA
72	0121L01157NG BLOWER DOOR	M24	- DSG0360904BWXAAA
82	0121L01110RFNG BURNER POST	M25	- DSG0360904BWXBAA
222	0121L01439 RAIN SHIELD DOOR	M26	- DSG0360904BXXXAA
232	0121L01440NG FLUE COLLAR	M27	- DSG0360907BHDAAA
242	0121L01441NG BURNER DOOR PANEL	M28	- DSG0360907BXXDAA
252	B1392139 VIEW PORT BUSHING-BLOWER DOOR	M29	- DSG0360907BXSXAA
NS	B1910012 GAS LINE GROMMET	M30	- DSG0360907BXXXAA

Partition Assembly

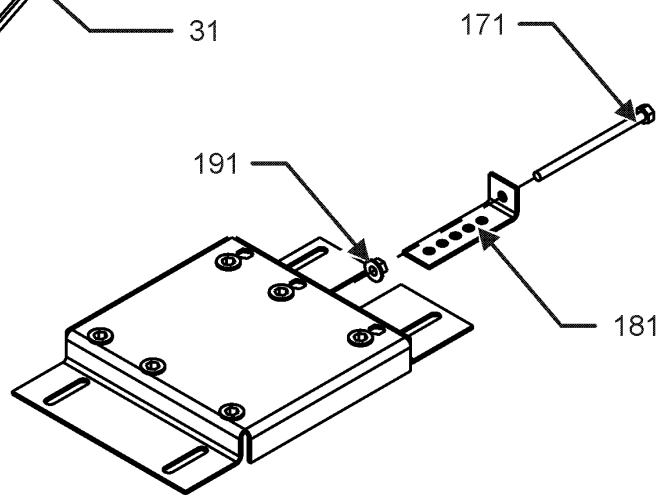
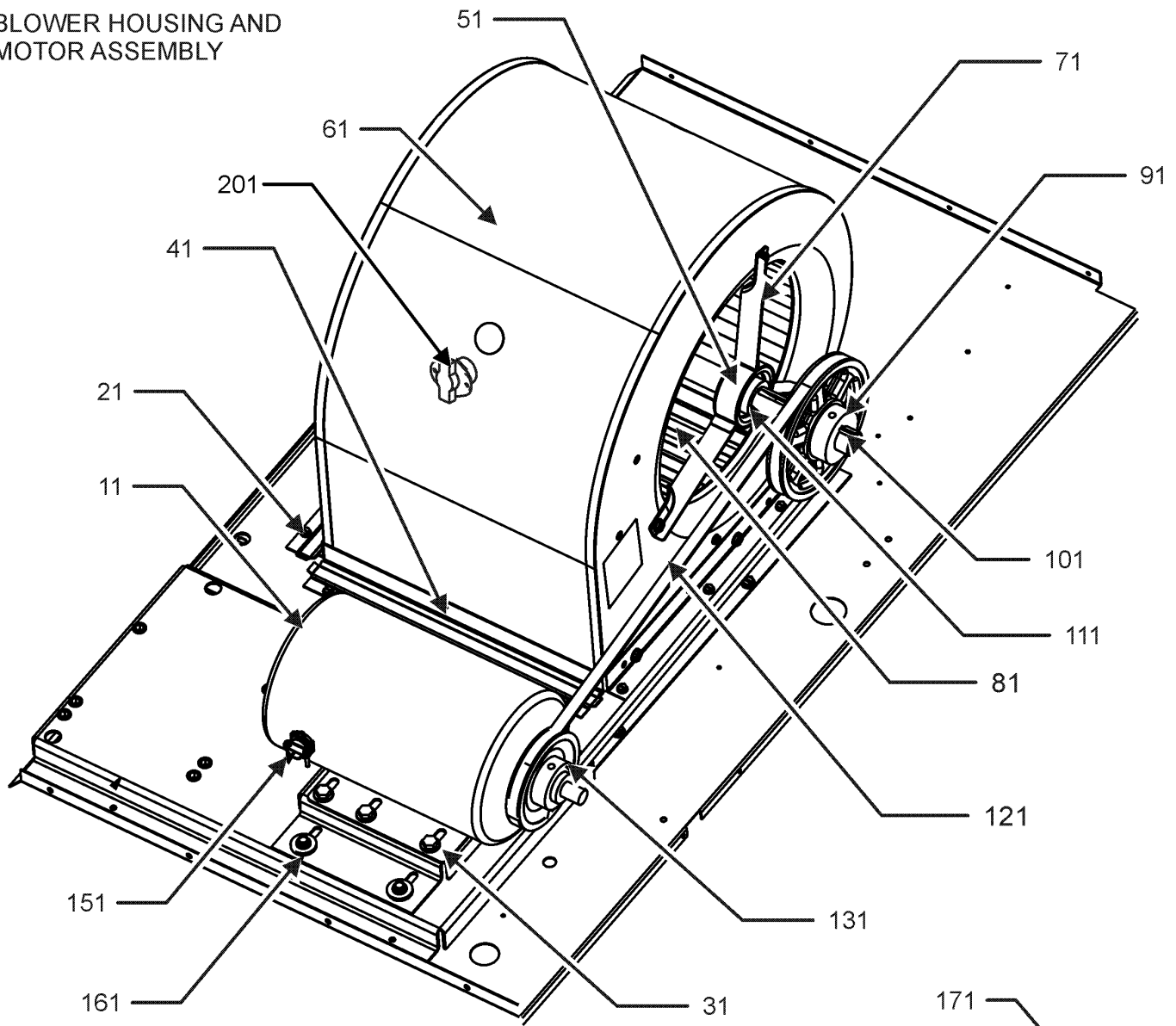


Partition Assembly

Ref. Part No: No:	Description:	Ref. Part No: No:	Description:
<i>Image 1:</i>		Expanded Model Nomenclature	
11	0201L00036 TUBING ASSY, COND COIL	M1	- DSG0360453BAXNAA
21	0202L00154 EVAP COIL TUBING ASSY	M2	- DSG0360453BBXXAA
31	0121L00313 BLOCKOFF-EVAPORATOR	M3	- DSG0360453BVXCAA
31	0121L00313 BLOCKOFF-EVAPORATOR (M1, M2, M3, M4, M6, M7, M8, M9, M10, M11, M12, M14, M15, M16, M17, M18, M19, M20, M21, M22, M23, M24, M25, M26, M27, M28, M29, M30)	M4	- DSG0360453BVXXAA
31	0121L00335 BLOCKOFF-EVAPORATOR (M1, M5, M13)	M5	- DSG0360453BWXGAA
41	0121L00303 FILTER ANGLE-VERTICAL (HAIRPIN SIDE)	M6	- DSG0360453BXXXAA
51	0121L00287 FILTER ANGLE-VERTICAL (RETURN SIDE)	M7	- DSG0360454BBXXAA
61	0121L00932 FILTER ANGLE-HORIZONTAL (QTY 2)	M8	- DSG0360454BFXXAA
71	0121L01255 ANGLE-FILTER CENTER	M9	- DSG0360454BHXXAA
211	0121L00311 COND BLOCK-OFF (M1, M2, M3, M4, M5, M6, M7, M8, M9, M10, M11, M12, M13, M14, M15, M16, M17, M18, M19, M20, M21, M22, M23, M24, M25, M26)	M10	- DSG0360454BXXXAA
211	0121L00319 COND BLOCK-OFF (M27, M28, M29, M30)	M11	- DSG0360703BXXXAA
221	0121L00939 CONDENSER BLOCKOFF PLATE	M12	- DSG0360704BXXXAA
231	0121L00238 DRAIN PAN SUPPORT	M13	- DSG0360903BHDDAA
241	0161L00005 DRAIN PAN	M14	- DSG0360903BRJEEA
251	0121L00243 DECK SIDE CHANNEL	M15	- DSG0360903BWSXAA
271	0121L00254 COND MOUNTING ANGLE	M16	- DSG0360903BWXAAA
301	0121L00300 SUPPORT POST-DECK	M17	- DSG0360903BWXATA
321	0163L00071 DRAIN PLUG	M18	- DSG0360903BXXDAA
331	0154L00009 DRAIN PAN GASKET	M19	- DSG0360903BXXXAA
461	0121L00293 BACK ANGLE-HEAT EXCHANGER (QTY 2)	M20	- DSG0360904BFMXAA
471	0121L00266 HEAT PANEL CHANNEL (QTY 2)	M21	- DSG0360904BFXXAA
481	0121L01575 BLOWER DECK	M22	- DSG0360904BHXXAA
491	B1370155 AUXILIARY LIMIT SWITCH 120°F (M13, M14, M15, M16, M17, M18, M19, M20, M21, M22, M23, M24, M25, M26, M27, M28, M29, M30)	M23	- DSG0360904BWSFAA
491	0130M00063 PRIMARY LIMIT - GOLD 140° (M1, M2, M3, M4, M5, M6, M7, M8, M9, M10, M11, M12)	M24	- DSG0360904BWXAAA
521	0121L00322 BRACKET-CONDENSER (M27, M28, M29, M30)	M25	- DSG0360904BWXBAA
NS	0160L00173 AIR FILTER 14 X 20 X 2 (QTY 4)	M26	- DSG0360904BXXXAA
NS	0121L01377 BLOWER DECK SUPPORT (M13, M18, M20, M27, M28)	M27	- DSG0360907BHDAAA
NS	A4568804 GROMMET-D (QTY 4)	M28	- DSG0360907BXXDAA
NS	0121L00321 SMOKE DETECTOR COVER	M29	- DSG0360907BXSXAA
		M30	- DSG0360907BXXXAA

Belt Drive Assembly

BLOWER HOUSING AND
MOTOR ASSEMBLY

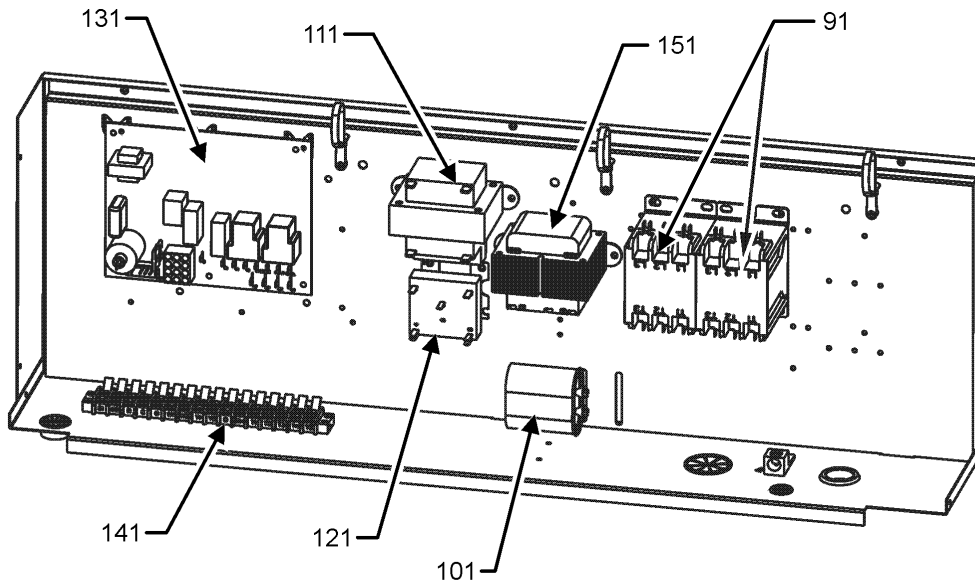


MOUNTING PLATE ASSEMBLY

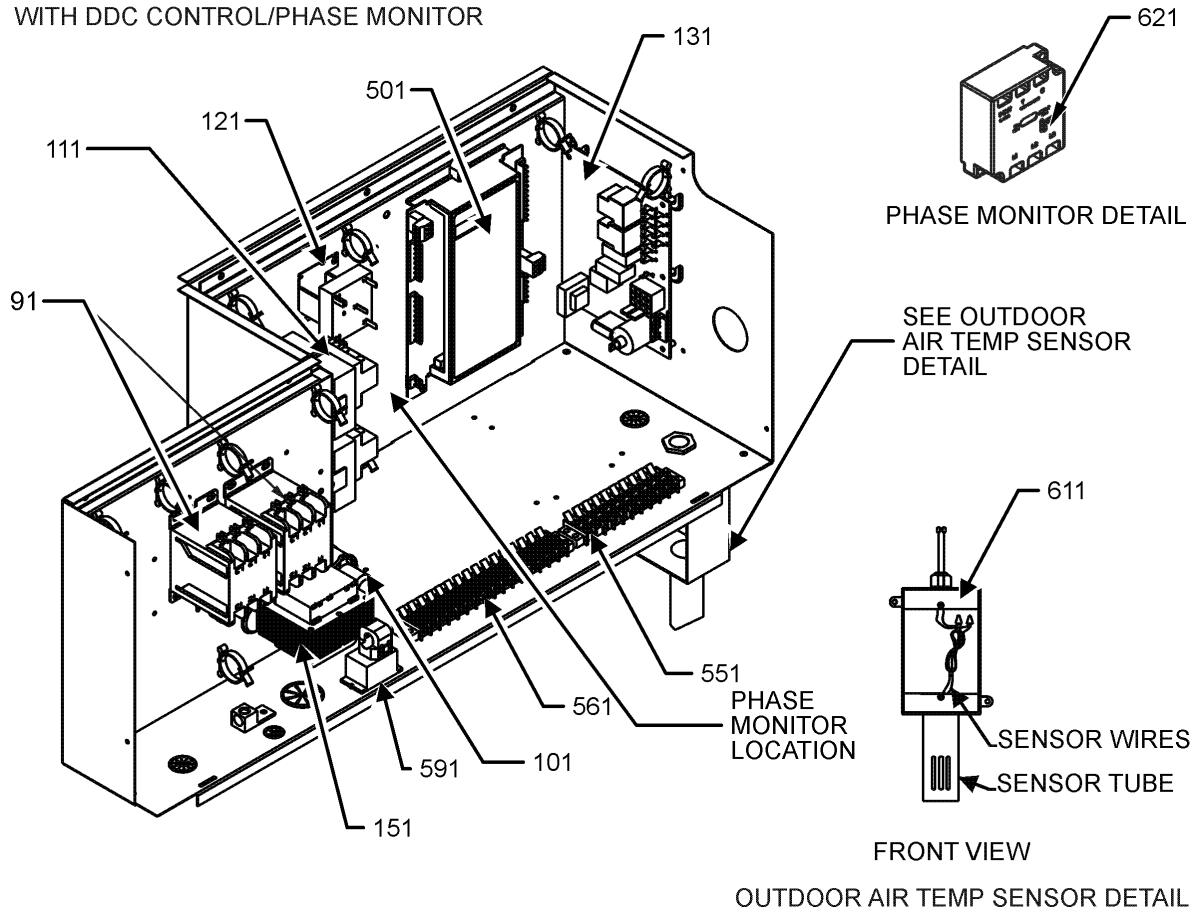
Belt Drive Assembly

Ref. Part No: No:	Description:	Ref. Part No: No:	Description:
Image 1:		Expanded Model Nomenclature	
11	0131L00003	BELT DRIVE MOTOR 1 HP (M1, M2, M3, M4, M5, M6, M7, M8, M9, M10, M11, M12, M13, M14, M15, M16, M17, M18, M19, M20, M21, M22, M23, M24, M25, M26)	M1 - DSG0360453BAXNAA M2 - DSG0360453BBXXAA M3 - DSG0360453BVXCAA M4 - DSG0360453BVXXAA M5 - DSG0360453BWXGAA M6 - DSG0360453BXXXAA M7 - DSG0360454BBXXAA M8 - DSG0360454BFXXAA M9 - DSG0360454BHXXAA M10 - DSG0360454BXXXAA M11 - DSG0360703BXXXAA M12 - DSG0360704BXXXAA M13 - DSG0360903BHDDAA M14 - DSG0360903BRJEEA M15 - DSG0360903BWSXAA M16 - DSG0360903BWXAAA M17 - DSG0360903BWXATA M18 - DSG0360903BXXDAA M19 - DSG0360903BXXXAA M20 - DSG0360904BFMXAA M21 - DSG0360904BFXXAA M22 - DSG0360904BHXXAA M23 - DSG0360904BWSFAA M24 - DSG0360904BWXAAA M25 - DSG0360904BWXBAA M26 - DSG0360904BXXXAA M27 - DSG0360907BHDAAA M28 - DSG0360907BXDXAA M29 - DSG0360907BXSXAA M30 - DSG0360907BXXXAA
11	0131L00004	BELT DRIVE MOTOR 1.5 HP 575V (M27, M28, M29, M30)	
21	0121L00297	BLOWER SIDE ANGLE (QTY 3)	
31	0121L01619	MOTOR BASE	
41	0121L00281	BLOWER MOUNTING ANGLE	
51	0163L00005	BELT DRIVE BLOWER SHAFT	
61	2539302F	BLOWER HOUSING 11 X 10	
71	B3201300	MOUNTING BRACKET BEARING (QTY 2)	
81	B1368056	BELT DRIVE BLOWER WHEEL	
91	0163L00138	SHEAVE, FIXED AK61H	
101	B1398604	STEEL KEY (000158812) 2.0"	
111	B1399500	BALL BEARING 1.00" (QTY 2)	
121	0164L00010	FAN BELT, NOTCHED (M27, M28, M29, M30)	
121	0164L00000	NOTCHED FAN BELT AX51 (M1, M2, M3, M4, M5, M6, M7, M8, M9, M10, M11, M12, M13, M14, M15, M16, M17, M18, M19, M20, M21, M22, M23, M24, M25, M26)	
131	B2120000	VARIABLE PITCH SHEAVE 3.15"	
151	B1393726	ELECT. CONNECTING BUSHING	
161	B1393738	BOLT 1/4-20 X 3/4" (QTY 4)	
171	0163M00045	BOLT 1/4-20 X 4"	
181	3225000F	BELT TIGHTENER ANGLE	
191	B1393023	NUT / LOCK .25-20	
201	0130F00038	PRIMARY LIMIT - LT BLUE 120° (AUX) (M1, M2, M3, M4, M5, M6, M7, M8, M9, M10)	
201	20162905	PRIMARY LIMIT-YELLOW (M13, M14, M15, M16, M17, M18, M19, M20, M21, M22, M23, M24, M25, M26, M27, M28, M29, M30)	
NS	1864703F	BLOWER CUT-OFF	
NS	B1398603	STEEL KEY (000158812) 4.5"	

Control Box Assembly



CONTROL BOX FOR MODELS WITH DDC CONTROL/PHASE MONITOR

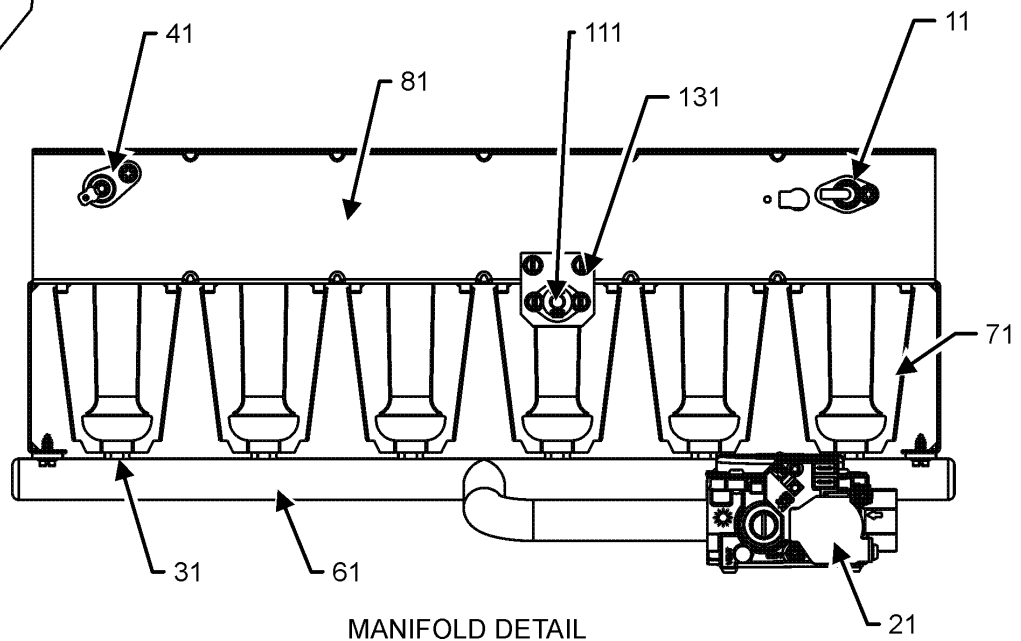
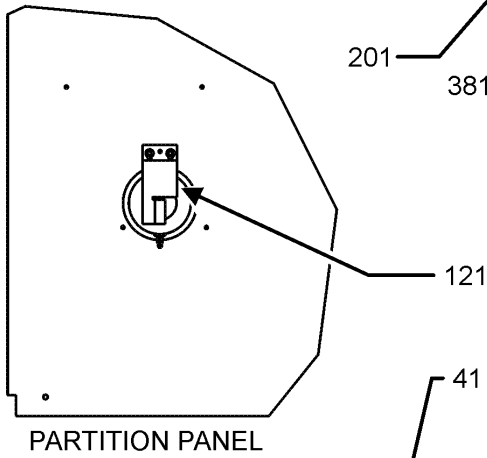
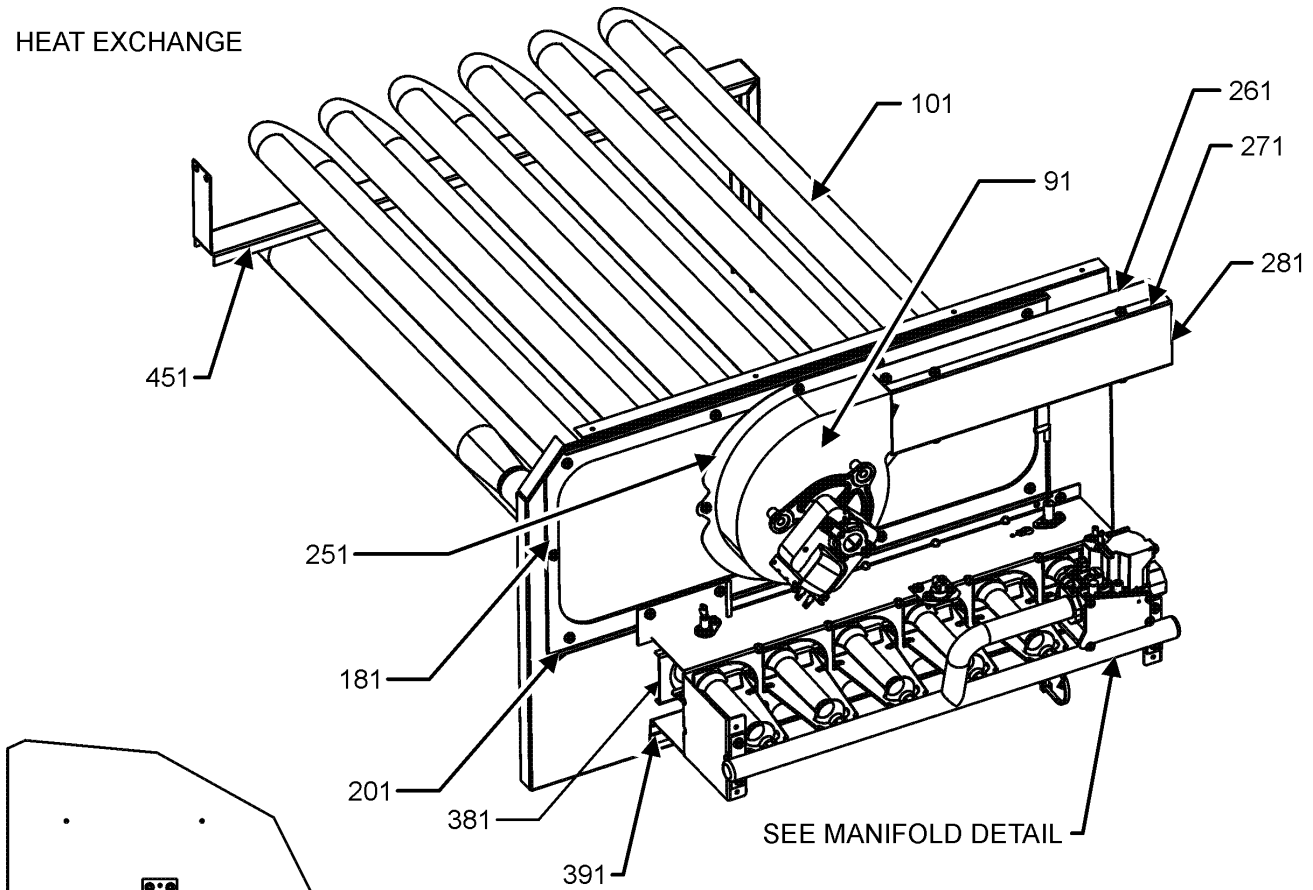


Control Box Assembly

Ref. Part No: No:	Description:	Ref. Part No: No:	Description:
Image 1:		Image 1:	
91	CONT3P025024V CONTACTOR 25 AMP, 3P, 24V (M7, M8, M9, M10, M12, M20, M21, M22, M23, M24, M25, M26, M27, M28, M29, M30)	NS 0259L00070	WIRING HARNESS (M3, M17, M23)
91	CONT3P030024V CONTACTOR 30 AMP, 3P, 24V (M1, M2, M3, M4, M5, M6, M11, M13, M14, M15, M16, M17, M18, M19)	Expanded Model Nomenclature	
101	CAP075000440LA CAP 7.5 MFD/440V/OVAL (M9, M10, M12, M22, M23, M24, M25, M26)	M1 - DSG0360453BAXNAA	
101	CAP030000440LA CAPACITOR 3/440V (M27, M28, M29, M30)	M2 - DSG0360453BBXXAA	
101	CAP050000370LA CAPACITOR 5/370V (M2, M14)	M3 - DSG0360453BVXCAA	
101	CAP050000440LA CAPACITOR 5/440V (M1, M3, M4, M5, M6, M11, M13, M15, M16, M17, M18, M19)	M4 - DSG0360453BVXXAA	
101	CAP075000370LA CAPACITOR 7.5/370V (M7, M8, M20, M21)	M5 - DSG0360453BWXGAA	
111	0130M00138 TRANSFORMER 208/230, 24V (M1, M2, M3, M4, M5, M6, M11, M13, M14, M15, M16, M17, M18, M19)	M6 - DSG0360453BXXXAA	
111	0130M00145 TRANSFORMER 480V to 24V, 75VA (M7, M8, M9, M10, M12, M20, M21, M22, M23, M24, M25, M26)	M7 - DSG0360454BBXXAA	
111	0130M00148 TRANSFORMER 575V to 24V, 75VA (M27, M28, M29, M30)	M8 - DSG0360454BFXXAA	
121	0130M00025 24V RELAY	M9 - DSG0360454BHXXAA	
131	PCBAG123 IGNITION BOARD, DSI INTEGRATED	M10 - DSG0360454BXXXAA	
141	0130M00038 TERMINAL BOARD	M11 - DSG0360703BXXXAA	
151	0130M00146 TRANSFORMER 480V TO 230V, 150VA (M7, M8, M9, M10, M12, M20, M21, M22, M23, M24, M25, M26)	M12 - DSG0360704BXXXAA	
151	0130M00147 TRANSFORMER 575V TO 230V, 150VA (M27, M28, M29, M30)	M13 - DSG0360903BHDDAA	
501	PCBCG100 DDC Controller (M2, M7, M8, M14, M20, M21)	M14 - DSG0360903BRJEEA	
551	0130M00274 TERMINAL BOARD (M2, M7, M8, M14, M20, M21)	M15 - DSG0360903BWSXAA	
561	0130M00275 TERMINAL BOARD (M2, M7, M8, M14, M20, M21)	M16 - DSG0360903BWXAAA	
591	0259L00368 CURRENT SWITCH WITH TERMS (M2, M7, M8, M14, M20, M21)	M17 - DSG0360903BWXTAA	
611	0130L00108 OD Air Temp Sensor (M2, M7, M8, M14, M20, M21)	M18 - DSG0360903BXDXAA	
621	0130L00105 PHASE MONITOR (M14, M20)	M19 - DSG0360903BXXXAA	
NS 0259L00067	12-PIN MALE PLUG ASSY	M20 - DSG0360904BFMXAA	
NS 20520901	CAPACITOR STRAP (QTY 4)	M21 - DSG0360904BFXXAA	
NS 0259L00074	CONTROL HARNESS (M1, M2, M3, M4, M5, M6, M11, M13, M14, M15, M16, M17, M18, M19)	M22 - DSG0360904BHXXAA	
NS 0259L00075	CONTROL HARNESS (M7, M8, M9, M10, M12, M20, M21, M22, M23, M24, M25, M26, M27, M28, M29, M30)	M23 - DSG0360904BWSFAA	
NS 0130L00112	Duct Temp Sensor (M2, M7, M8, M14, M20, M21)	M24 - DSG0360904BWXAAA	
NS 0259L00179	HARNESS, ECONOMIZER	M25 - DSG0360904BWXBAA	
NS 0259L00179	HARNESS, ECONOMIZER	M26 - DSG0360904BXXXAA	
NS 0259L00092	HARNESS-SMOKE DETECTOR SENSOR (M17)	M27 - DSG0360907BHDAAA	
NS 0130L00107	ROOM SENSOR (M2, M7, M8, M14, M20, M21)	M28 - DSG0360907BXDXAA	
NS 0259L00427	WIRE ASSY (M14, M20)	M29 - DSG0360907BXSXAA	
NS 0259L00428	WIRE ASSY (M14, M20)	M30 - DSG0360907BXXXAA	
NS 0259L00500	WIRE HARNESS (M14)		
NS 0259L00090	WIRE HARNESS-SMOKE DETECTOR (M1, M5, M13)		
NS 0259L00054	WIRING HARNESS (M1, M2, M3, M4, M5, M6, M11, M13, M14, M15, M16, M17, M18, M19, M27, M28, M29, M30)		
NS 0259L00060	WIRING HARNESS (M7, M8, M9, M10, M12, M20, M21, M22, M23, M24, M25, M26)		
NS 0259L00065	WIRING HARNESS		
NS 0259L00069	WIRING HARNESS (M11, M12, M13, M14, M15, M16, M17, M18, M19, M20, M21, M22, M23, M24, M25, M26, M27, M28, M29, M30)		

Heat Exchange Assembly

HEAT EXCHANGE



Heat Exchange Assembly

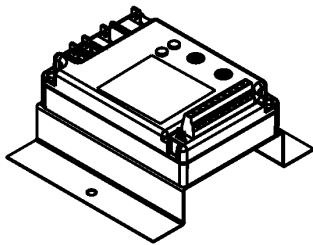
Ref. Part No: No:	Description:	Ref. Part No: No:	Description:
Image 1:		Expanded Model Nomenclature	
11	20261709	IGNITOR	M1 - DSG0360453BAXNAA
21	0151F00000P	GAS VALVE - WHITE-RODGERS 2-STAGE (M11, M12, M13, M14, M15, M16, M17, M18, M19, M20, M21, M22, M23, M24, M25, M26, M27, M28, M29, M30)	M2 - DSG0360453BBXXAA
21	0151M00013	GAS VALVE (HW) SINGLE STAGE (M1, M2, M3, M4, M5, M6, M7, M8, M9, M10)	M3 - DSG0360453BVXCAA
31	0163F00018	ORIFICE (QTY 2)	M4 - DSG0360453BVXXAA
41	0130F00010	FLAME SENSOR	M5 - DSG0360453BWXGAA
61	0163L00027	MANIFOLD - 2 BRNR (M1, M2, M3, M4, M5, M6, M7, M8, M9, M10)	M6 - DSG0360453BXXXAA
61	0163L00026	MANIFOLD - 4 BRNR (M13, M14, M15, M16, M17, M18, M19, M20, M21, M22, M23, M24, M25, M26, M27, M28, M29, M30)	M7 - DSG0360454BBXXAA
61	0163L00143	MANIFOLD, GAS 3 BURNER (M11, M12)	M8 - DSG0360454BFXAA
71	10735102	BECKETT BURNER (QTY 2)	M9 - DSG0360454BHXXAA
81	0121L02164	BRKT-BURNER 3B FUR (M11, M12)	M10 - DSG0360454BXXXAA
81	20190410	BURNER BRACKET 2B (M1, M2, M3, M4, M5, M6, M7, M8, M9, M10)	M11 - DSG0360703BXXXAA
81	20190412	BURNER BRACKET 4B (M13, M14, M15, M16, M17, M18, M19, M20, M21, M22, M23, M24, M25, M26, M27, M28, M29, M30)	M12 - DSG0360704BXXXAA
91	0131M00121	ID COMBUSTION BLOWER	M13 - DSG0360903BHDDAA
101	0270L00099	PART/TUBE ASSY 2B (M1, M2, M3, M4, M5, M6, M7, M8, M9, M10)	M14 - DSG0360903BRJEEA
101	0270L00092	PART/TUBE ASSY 4B (M13, M16, M17, M18, M19, M20, M21, M22, M24, M25, M26, M27, M28, M30)	M15 - DSG0360903BWSXAA
101	0270L00105	PART/TUBE ASSY 4B (M14, M15, M23, M29)	M16 - DSG0360903BWXAAA
101	0270L00940	PART/TUBE ASSY, 3B (M11, M12)	M17 - DSG0360903BWXATA
111	10123532	MANUAL RESET LIMIT 350°F	M18 - DSG0360903BXXDAA
121	11112501	PRESSURE SWITCH	M19 - DSG0360903BXXXAA
131	0121L00053	FLAME ROLLOUT BRACKET	M20 - DSG0360904BFMXAA
181	0154L00018	ID BLOWER PLATE GASKET 4 BRNR	M21 - DSG0360904BFXXAA
201	0121L00285	ID BLOWER PLATE 2 BRNR (M1, M2, M3, M4, M5, M6, M7, M8, M9, M10)	M22 - DSG0360904BHXXAA
201	0121L00284	ID BLOWER PLATE 4 BRNR (M11, M12, M13, M14, M15, M16, M17, M18, M19, M20, M21, M22, M23, M24, M25, M26, M27, M28, M29, M30)	M23 - DSG0360904BWSFAA
251	0154L00020	ID BLOWER GASKET	M24 - DSG0360904BWXAAA
261	0121L00277	FLUE CHANNEL	M25 - DSG0360904BWXBAA
271	0121L00278	FLUE SIDE COVER	M26 - DSG0360904BXXXAA
281	0163L00072	SCREEN-FLUE	M27 - DSG0360907BHDAAA
381	11072201	ORIFICE SHIELD (M1, M2, M3, M4, M5, M6, M7, M8, M9, M10)	M28 - DSG0360907BXXDAA
381	11072202	ORIFICE SHIELD (M11, M12)	M29 - DSG0360907BXSXAA
381	11072203	ORIFICE SHIELD (M13, M14, M15, M16, M17, M18, M19, M20, M21, M22, M23, M24, M25, M26, M27, M28, M29, M30)	M30 - DSG0360907BXXXAA
391	0121L00267	BURNER SLIDE BRACKET	
451	0121L00325	BRACKET-HEAT EXCHANGER	

Accessory Parts List

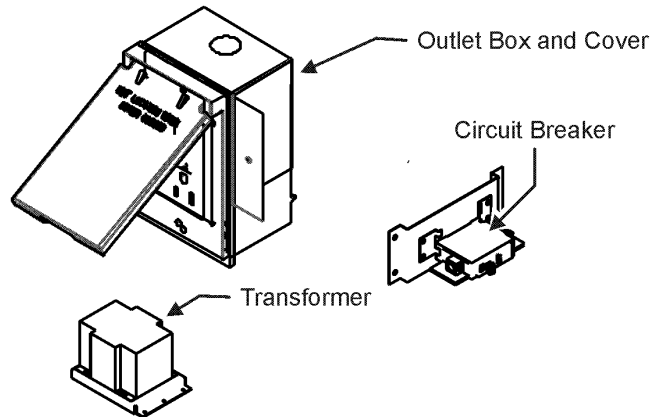
ACCESSORY PARTS LIST

NOTE: NOT ALL OPTIONS AVAILABLE FOR ALL PRODUCTS

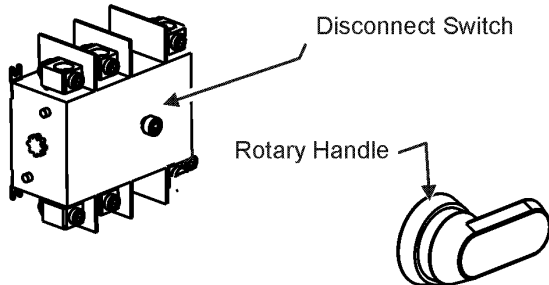
1 LOW AMBIENT KITS



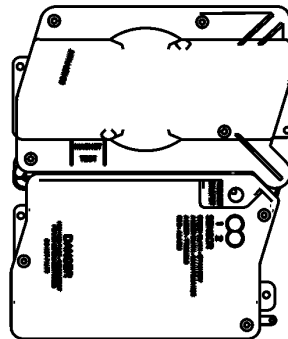
2 GFCI CONVENIENCE OUTLET



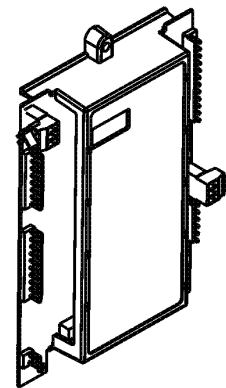
3 DISCONNECT MODULE (NON-FUSED)



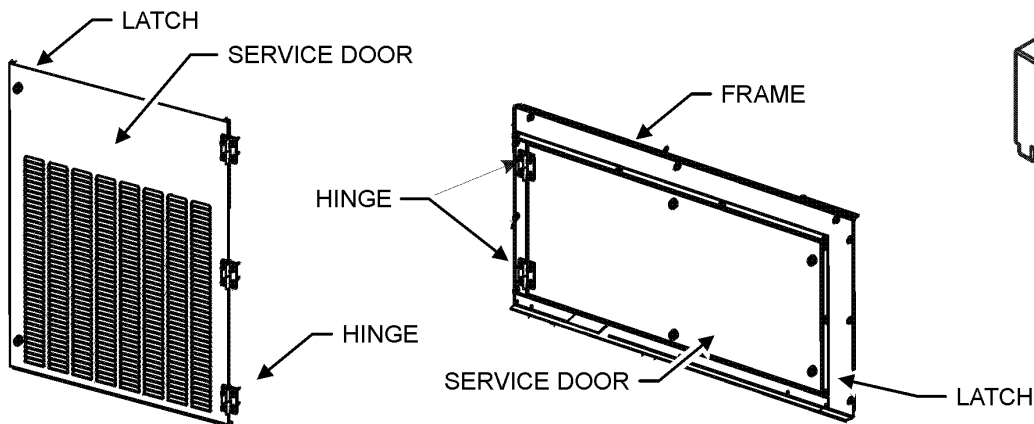
4 SMOKE DETECTORS



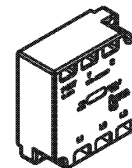
5 DDC CONTROL



6 HINGED DOOR ASSEMBLIES



7 PHASE MONITOR



Accessory Parts List

Ref. Part No: No:	Description:	Ref. Part No: No:	Description:
Image 1:		Expanded Model Nomenclature	
NS 1036609C	3-6 TON DFLOW ECONOMIZER (M1)	M1 - DSG0360453BAXNAA	
NS DDNECNJ3672C	3-6 TON DFLOW ECONOMIZER (M3, M4, M5, M15, M16, M17, M23, M24, M25)	M2 - DSG0360453BBXXAA	
NS 10366D09C	3-6 TON DFLOW ECONOMIZER, DDC (M8, M14, M20, M21)	M3 - DSG0360453BVXCAA	
NS 0121L01373NG	BLOWER DOOR FRAME (M13, M18, M20, M27, M28)	M4 - DSG0360453BVXXAA	
NS 0121L01371NG	BLOWER SERVICE DOOR, BACK (M13, M18, M20, M27, M28)	M5 - DSG0360453BWXGAA	
NS 0121L01370NG	BLOWER SERVICE DOOR, FRONT (M13, M18, M20, M27, M28)	M6 - DSG0360453BXXXAA	
NS 0121L01934	BRACKET SMOKE DETECTOR (M17)	M7 - DSG0360454BBXXAA	
NS 0121L00316	BRACKET-CONV OUTLET MOUNT (M1, M5, M16, M17, M23, M24, M25, M27)	M8 - DSG0360454BFXAA	
NS 0121L00835	BRACKET-DISCONNECT SWITCH (M5, M9, M13, M14, M15, M16, M17, M22, M23, M24, M25, M27)	M9 - DSG0360454BHXXAA	
NS 0130M00065	CIRCUIT BREAKER, CONVENIENCE OUTLET (M1, M17, M25)	M10 - DSG0360454BXXXAA	
NS 0121L00837NG	DISCONNECT COVER (M5, M9, M13, M14, M15, M16, M17, M22, M23, M24, M25, M27)	M11 - DSG0360703BXXXAA	
NS 0130L00012	GANG BOX-GFCI OUTLET (M1, M5, M16, M17, M23, M24, M25, M27)	M12 - DSG0360704BXXXAA	
NS 0130L00039	HANDLE, ROTARY (M5, M9, M13, M14, M15, M16, M17, M22, M23, M24, M25, M27)	M13 - DSG0360903BHDDAA	
NS 0163M00307	HINGE, LEFT HAND (M13, M18, M20, M27, M28)	M14 - DSG0360903BRJEEA	
NS 0163M00308	HINGE, RIGHT HAND (M13, M18, M20, M27, M28)	M15 - DSG0360903BWSXAA	
NS 0163M00322	LATCH (M13, M18, M20, M27, M28)	M16 - DSG0360903BWXAAA	
NS 0121L01327NG	LOUVERED CP SERVICE DOOR (M13, M18, M20, M27, M28)	M17 - DSG0360903BWXATA	
NS 0130M00058	LOW AMBIENT KIT (M3, M17, M23)	M18 - DSG0360903BXXAA	
NS 0161G00012	POWER OUTLET BOX (M1, M5, M16, M17, M23, M24, M25, M27)	M19 - DSG0360903BXXXAA	
NS 0130L00103	RECEPTACLE-GFCI OUTLET (M1, M5, M16, M17, M23, M24, M25, M27)	M20 - DSG0360904BFMXAA	
NS 0130L00042	SHAFT, CUT (M5, M9, M13, M14, M15, M16, M17, M22, M23, M24, M25, M27)	M21 - DSG0360904BFXAA	
NS 0130L00049	SHAFT, DISCONNECT (M5, M9, M13, M14, M15, M16, M17, M22, M23, M24, M25, M27)	M22 - DSG0360904BHXXAA	
NS D4120	SMOKE DETECTOR, PHOTO 4WIRE (M17)	M23 - DSG0360904BWSFAA	
NS D4S	SMOKE DETECTOR, SENSOR ONLY (M17)	M24 - DSG0360904BWXAAA	
NS 0130L00046	SWITCH-DISCONNECT 60A (M5, M9, M13, M14, M15, M16, M17, M22, M23, M24, M25, M27)	M25 - DSG0360904BWXBAA	
NS 0130M00061	TRANSFORMER, CONVENIENCE OUTLET (M1, M17, M25)	M26 - DSG0360904BXXXAA	
		M27 - DSG0360907BHDAAA	
		M28 - DSG0360907BXXAA	
		M29 - DSG0360907BXSXAA	
		M30 - DSG0360907BXXXAA	