

Commercial 5 Ton Belt Drive Package Cooling Unit

DSC0600103BADXAA
DSC0600103BFDXAA
DSC0600104BMXBAA
DSC0600104BRDBAA
DSC0600104BXDZAA
DSC0600153BHDAAA
DSC0600153BHXAAA
DSC0600153BWDFAA
DSC0600154BHXBAA
DSC0600203BHXAAA
DSC0600204BVDBAA
DSC0600204BXDCAA
DSC0600207BHDAAA
DSC060XXX3BVXBAA
DSC060XXX3BVXMAA
DSC060XXX3BWXXAA
DSC060XXX3BXDXAA
DSC060XXX3BXXDAA
DSC060XXX3BXXXAA
DSC060XXX4BAXCAA
DSC060XXX4BBXXAA
DSC060XXX4BFXXAA
DSC060XXX4BHXBAA
DSC060XXX4BHXOAA
DSC060XXX4BWXBAA
DSC060XXX4BXDCAA
DSC060XXX4BXXXAA
DSC060XXX7BBXXAA
DSC060XXX7BFXXAA
DSC060XXX7BXXXAA



This manual is to be used by qualified technicians only.

This manual replaces RP-D1112J.

Important Information

Index

Functional Parts List	3
Illustration and Parts	4 - 15

Views shown are for parts illustrations only, not servicing procedures

Text Codes:

AR - As Required

NA - Not Available

NS - Not Shown

00000000 - See Note

QTY - Quantity Example (QTY 3) (If Quantity not shown, Quantity = 1)

M - Model Example (M1) (If M Code not shown, then part is used on all Models)

Expanded Model Nomenclature:

Example M1 - Model#1 M2 - Model#2 M3 - Model#3

Daikin Company, L.P. is not responsible for personal injury or property damage resulting from improper service. Review all service information before beginning repairs.

Warranty service must be performed by an authorized technician, using authorized factory parts. If service is required after the warranty expires, Daikin Company, L.P. also recommends contacting an authorized technician and using authorized factory parts.

Daikin Company, L.P. reserves the right to discontinue, or change at any time, specifications or designs without notice or without incurring obligations.

For assistance within the U.S.A. contact:

Equipment Support
Daikin North America, LLC
19001 Kermier Road
Waller, Texas 77484
855-770-5678-Telephone
713-863-2382-Facsimile

For assistance outside the U.S.A. contact:

International Division
Daikin North America, LLC
19001 Kermier Road
Waller, Texas 77484
713-861-2500-Telephone
713-863-2382-Facsimile

Functional Parts

Part No: **Description:**

Part No:	Description:	Expanded Model Nomenclature
0130M00025	24V RELAY (M11)	M1 - DSC060XXX3BVXBAA
B1368056	BELT DRIVE BLOWER WHEEL	M2 - DSC060XXX3BVXMAA
CAP100000440LA	CAP 10 MFD/440V/OVAL (M1, M3, M4, M5, M6, M18, M23, M24, M27)	M3 - DSC060XXX3BWXXAA
CAP075000440LA	CAP 7.5 MFD/440V/OVAL (M13)	M4 - DSC060XXX3BXDXAA
CAP100000370LA	CAP, 10 MFD/370V/OVAL (M19)	M5 - DSC060XXX3BXXDAA
CAP050000370LA	CAP, 5 MFD/370V/OVAL (M2, M7, M25, M29)	M6 - DSC060XXX3BXXXAA
CAP050000440LA	CAPACITOR (M8, M9, M10, M11, M12, M14, M15, M16, M17, M20, M21, M22, M26, M28, M29, M30)	M7 - DSC060XXX4BAXCAA
ZP51K5ETF5130	COMPRESSOR 51000, 208/230/60/3 (M1, M2, M3, M4, M5, M6, M18, M19, M23, M24, M25, M27)	M8 - DSC060XXX4BBXXAA
ZP51K5ETFD130	COMPRESSOR 51000, 460/60/3 (M7, M8, M9, M10, M11, M12, M13, M14, M20, M21, M22, M26, M28, M29)	M9 - DSC060XXX4BFXXAA
ZP51K5ETFE130	COMPRESSOR 51000, 575/60/3 (M15, M16, M17, M30)	M10 - DSC060XXX4BHXBAA
CONT3P025024V	CONTACTOR 25 AMP, 3P, 24V (M7, M8, M9, M10, M11, M12, M13, M14, M15, M16, M17, M20, M21, M22, M26, M28, M29, M30)	M11 - DSC060XXX4BHXOAA
CONT3P030024V	CONTACTOR 30 AMP, 3P, 24V (M1, M2, M3, M4, M5, M6, M18, M19, M23, M24, M25, M27)	M12 - DSC060XXX4BWXBAA
0259L00368	CURRENT SWITCH WITH TERMS (M8, M9, M15, M16, M19, M20, M21)	M13 - DSC060XXX4BXDCAA
0130M00074	CUT-OUT SWITCH, HIGH PRESSURE	M14 - DSC060XXX4BXXXAA
0130M00087	CUT-OUT SWITCH, LOW PRESSURE	M15 - DSC060XXX7BBXXAA
0130L00112	Duct Temp Sensor (M8, M9, M15, M16, M19, M20, M21)	M16 - DSC060XXX7BFXXAA
PCBFM103	ELECTRONIC BLOWER TIME DELAY	M17 - DSC060XXX7BXXXAA
0164L00010	FAN BELT, NOTCHED	M18 - DSC0600103BADXAA
0150G00004	FAN BLADE	M19 - DSC0600103BFDXAA
0131L00079	MOTOR, 1 HP BELT DRIVE (M15, M16, M17, M30)	M20 - DSC0600104BMXBAA
0131L00067	MOTOR, 1 HP BELT DRIVE (M1, M2, M3, M4, M5, M6, M7, M8, M9, M10, M11, M12, M13, M14, M18, M19, M20, M21, M22, M23, M24, M25, M26, M27, M28, M29)	M21 - DSC0600104BRDBAA
0131L00061	MOTOR, 1/4 HP, 1SP, 6PL (M2, M25)	M22 - DSC0600104BXDZAA
0131M00839	MOTOR, 1/4 HP, OD (M15, M16, M17, M30)	M23 - DSC0600153BHDXAA
0131M00838	MOTOR, 1/4 HP, OD (M7, M8, M9, M10, M11, M12, M14, M20, M21, M22, M26, M28, M29)	M24 - DSC0600153BHXA AA
0131M00837	MOTOR, 1/4 HP, OD (M1, M3, M4, M5, M6, M18, M19, M23, M24, M27)	M25 - DSC0600153BWDFAA
0131L00062	MOTOR, COND, 1/4 HP, 460V (M13)	M26 - DSC0600154BHXBAA
0130L00108	OD Air Temp Sensor (M8, M9, M15, M16, M19, M20, M21)	M27 - DSC0600203BHXAAA
PCBCG103	PCB, CONTROL, HP, GAS ,AC (M8, M9, M15, M16, M19, M20, M21)	M28 - DSC0600204BVDBAA
0130M00038	TERMINAL BOARD	M29 - DSC0600204BXDCAA
0130M00275	TERMINAL BOARD (M8, M9, M15, M16, M19, M20, M21)	M30 - DSC0600207BHDXAA
0130M00274	TERMINAL BOARD (M8, M9, M15, M16, M19, M20, M21)	
0130M00138	TRANSFORMER 208/230, 24V (M1, M2, M3, M4, M5, M6, M18, M19, M23, M24, M25, M27)	
0130M00595	TRANSFORMER, 75VA, 480V TO 24V (M7, M8, M9, M10, M11, M12, M13, M14, M20, M21, M22, M26, M28, M29)	
0130M00598	TRANSFORMER, 75VA, 575V TO 24V (M15, M16, M17, M30)	

Top Panel and Tubing Assembly

IMAGE 1

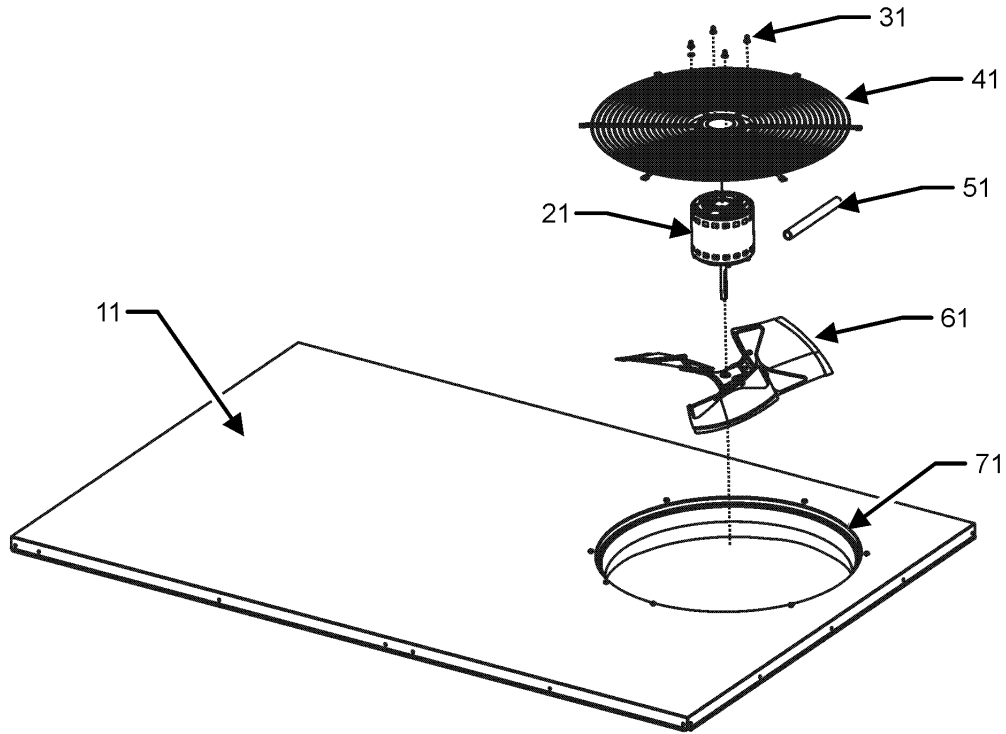
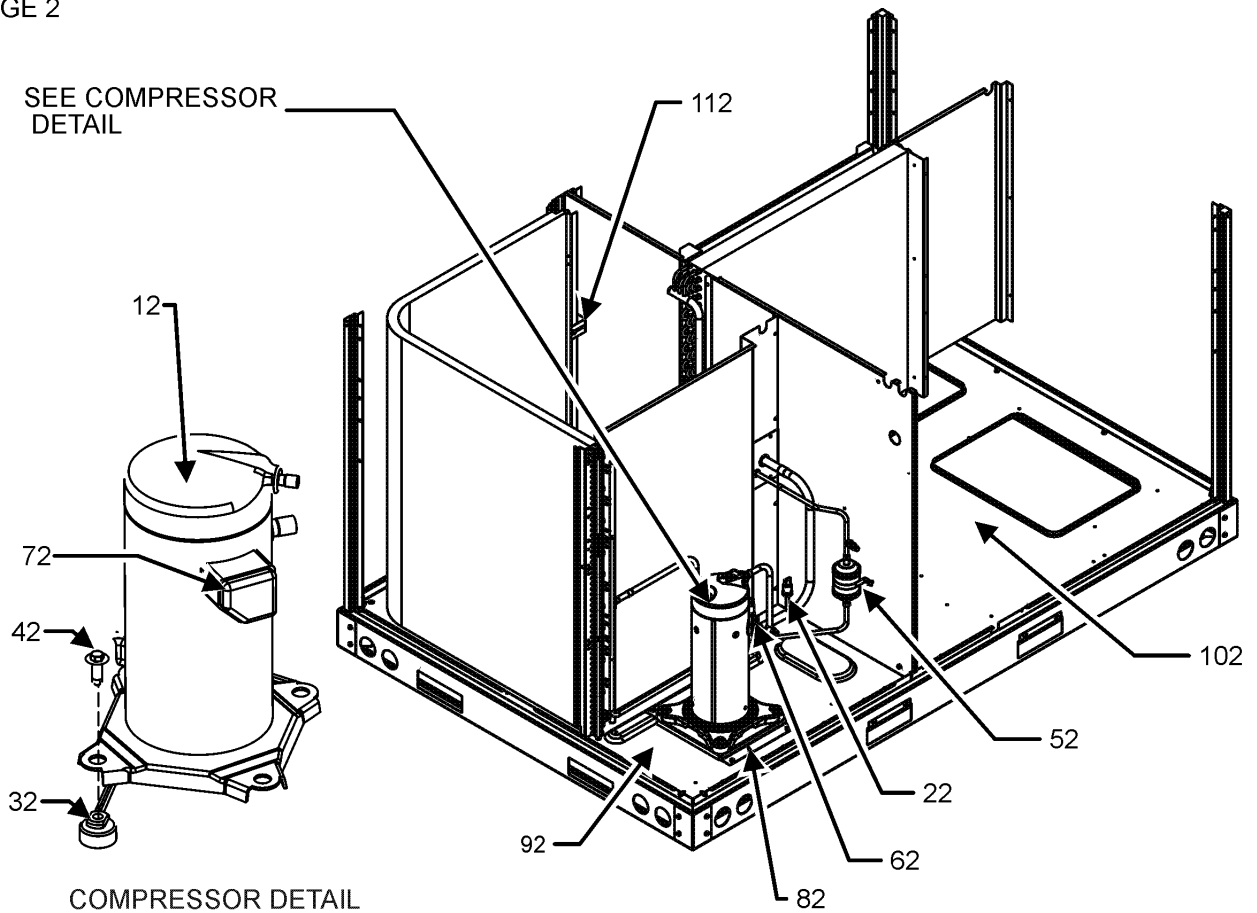


IMAGE 2



Top Panel and Tubing Assembly

Ref. Part No: No:	Description:	Ref. Part No: No:	Description:
Image 1:		Expanded Model Nomenclature	
11	0121L00235NG TOP PANEL	M1	- DSC060XXX3BVXBAA
21	0131L00061 MOTOR, 1/4 HP, 1SP, 6PL (M2, M25)	M2	- DSC060XXX3BVXMAA
21	0131M00837 MOTOR, 1/4 HP, OD (M1, M3, M4, M5, M6, M18, M19, M23, M24, M27)	M3	- DSC060XXX3BWXXAA
21	0131M00838 MOTOR, 1/4 HP, OD (M7, M8, M9, M10, M11, M12, M14, M20, M21, M22, M26, M28, M29)	M4	- DSC060XXX3BXDXAA
21	0131M00839 MOTOR, 1/4 HP, OD (M15, M16, M17, M30)	M5	- DSC060XXX3BXXDAA
21	0131L00062 MOTOR, COND, 1/4 HP, 460V (M13)	M6	- DSC060XXX3BXXXAA
31	0163M00006P ACORN NUT 5/16 HEX BLACK (QTY 4)	M7	- DSC060XXX4BAXCAA
41	0152G00000 FAN GRILLE, RAISED	M8	- DSC060XXX4BBXXAA
51	0161R00003P CONDUIT	M9	- DSC060XXX4BFXXAA
61	0150G00004 FAN BLADE	M10	- DSC060XXX4BHXBAA
71	0161L00000 VENTURI RING 22"	M11	- DSC060XXX4BHXOAA
NS	0163M00004 SCREW #10X3/4", BLACK (QTY 18)	M12	- DSC060XXX4BWXBAA
NS	0163M00005P WASHER, BLACK (.50 OD .218ID) (QTY 4)	M13	- DSC060XXX4BXDCAA
Image 2:		M14	- DSC060XXX4BXXXAA
12	ZP51K5ETF5130 COMPRESSOR 51000, 208/230/60/3 (M1, M2, M3, M4, M5, M6, M18, M19, M23, M24, M25, M27)	M15	- DSC060XXX7BBXXAA
12	ZP51K5ETFD130 COMPRESSOR 51000, 460/60/3 (M7, M8, M9, M10, M11, M12, M13, M14, M20, M21, M22, M26, M28, M29)	M16	- DSC060XXX7BFXXAA
12	ZP51K5ETFE130 COMPRESSOR 51000, 575/60/3 (M15, M16, M17, M30)	M17	- DSC060XXX7BXXXAA
22	0130M00087 CUT-OUT SWITCH, LOW PRESSURE	M18	- DSC0600103BADXAA
32	B1339533 COMPRESSOR GROMMET (QTY 4)	M19	- DSC0600103BFDXAA
42	M0221641 TF SHOULDER SCREW (QTY 4)	M20	- DSC0600104BMXBAA
52	0162R00009 FILTER DRIER	M21	- DSC0600104BRDBAA
62	0130M00074 CUT-OUT SWITCH, HIGH PRESSURE	M22	- DSC0600104BXDZAA
72	0159L00065 COMPRESSOR SCROLL HARNESS	M23	- DSC0600153BHDXAA
82	0121L00310 COMPRESSOR MOUNTING PLATE	M24	- DSC0600153BHXAAA
92	0121L01990 BASE PAN, OUTDOOR	M25	- DSC0600153BWDFAA
102	0121L02619 BASE PAN-INDOOR	M26	- DSC0600154BHXBAA
112	0121L00936 BRACKET-HAIRPIN END	M27	- DSC0600203BHXAAA
NS	B1373315 ACCESS FITTING (QTY 2)	M28	- DSC0600204BVDBAA
NS	0141L00003X FORK BOARD (QTY 2)	M29	- DSC0600204BXDCAA
NS	0121L00055 FORK BOARD BRACKET (QTY 4)	M30	- DSC0600207BHDXAA

Cabinet Assembly

IMAGE 1

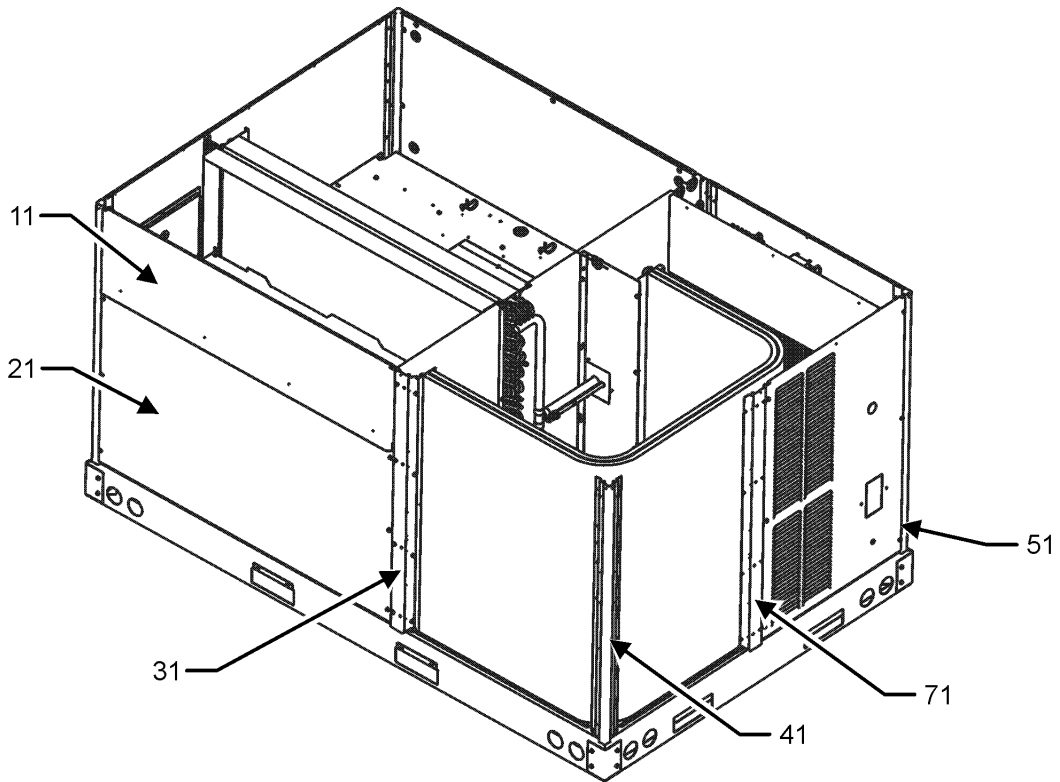
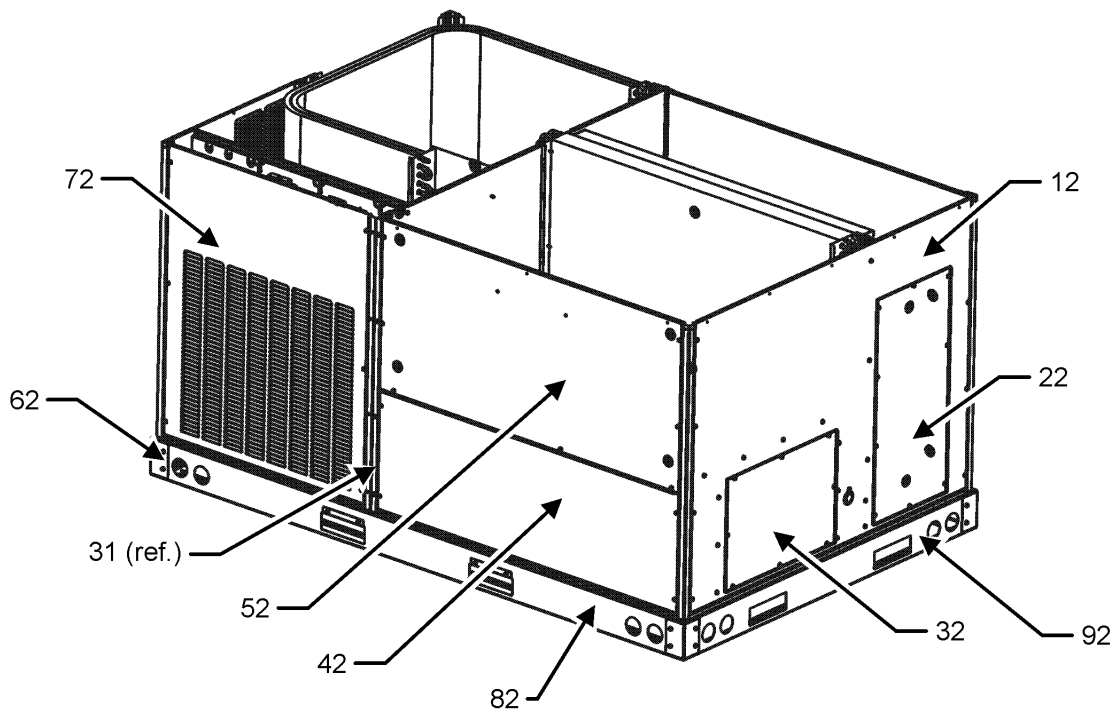


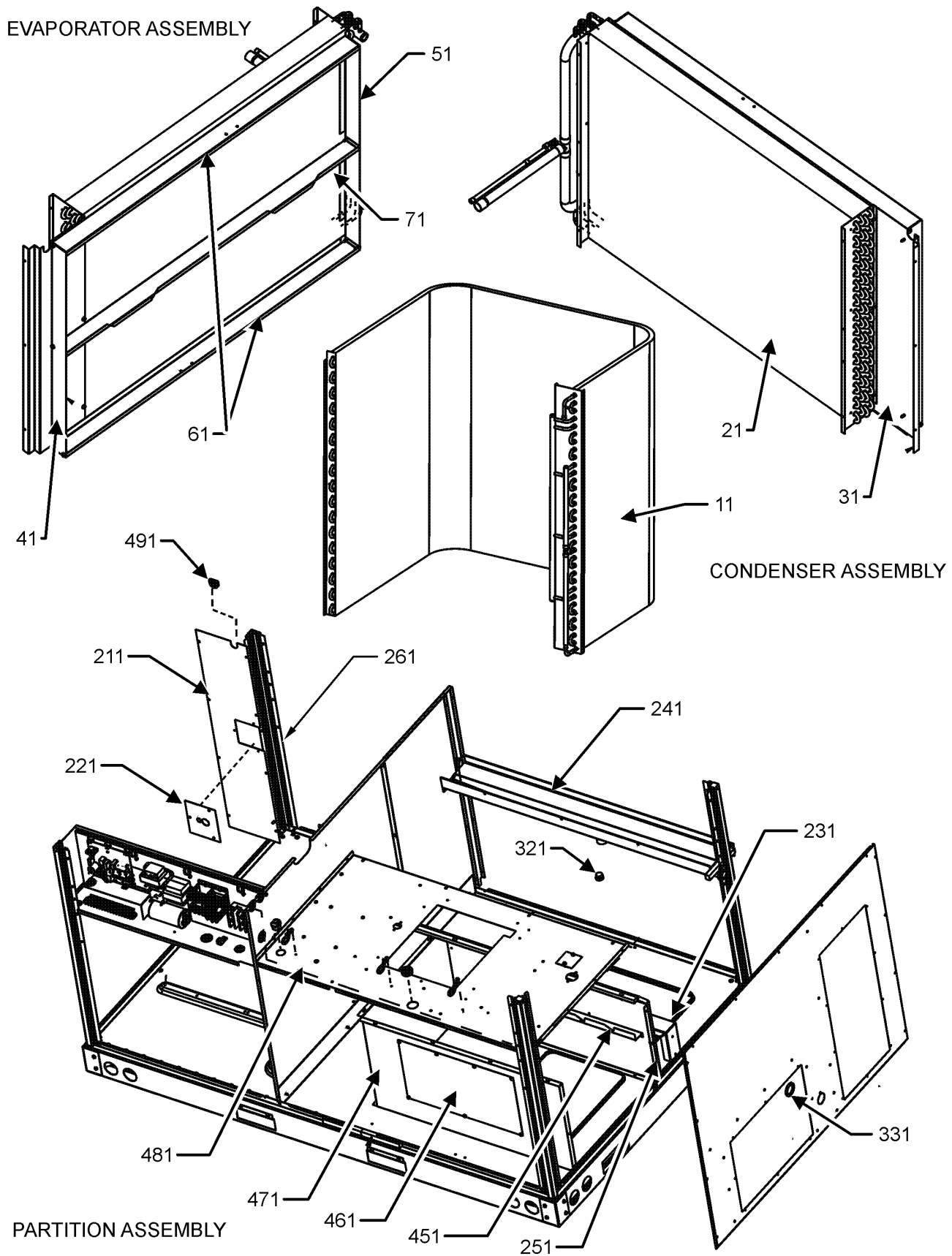
IMAGE 2



Cabinet Assembly

Ref. Part No: No:	Description:	Ref. Part No: No:	Description:
Image 1:		Expanded Model Nomenclature	
11	0270L00362NG FILTER DOOR	M1	- DSC060XXX3BVXBAA
21	0121L01309 ECONOMIZER COVER (M9, M16, M19, M21)	M2	- DSC060XXX3BVXMAA
21	0121L00976NG ECONOMIZER DOOR (M1, M2, M3, M4, M5, M6, M7, M8, M10, M11, M12, M13, M14, M15, M17, M18, M20, M22, M23, M24, M25, M26, M27, M28, M29, M30)	M3	- DSC060XXX3BWXXAA
31	0121L00233RFNG POST-SIDE SUPPORT (QTY 2)	M4	- DSC060XXX3BXDXAA
41	0121L00237RFNG CORNER POST (QTY 4)	M5	- DSC060XXX3BXXDAA
41	0121L02553RFNG PNT, CORNER POST (M4, M13, M18, M19, M21, M22, M23, M25, M28, M29, M30)	M6	- DSC060XXX3BXXXAA
51	0121L00263NG LOUVERED COMPRESSOR PANEL (M1, M2, M4, M5, M6, M7, M8, M9, M10, M11, M12, M13, M14, M15, M16, M17, M18, M19, M20, M21, M22, M23, M24, M25, M26, M28, M29, M30)	M7	- DSC060XXX4BAXCAA
51	0121L00836NG LOUVERED COMPRESSOR PANEL (M3, M27)	M8	- DSC060XXX4BBXXAA
71	0121L01374RFNG PNT, RL FMD SIDE POST SUPPORT (M4, M13, M18, M19, M21, M22, M23, M25, M28, M29, M30)	M9	- DSC060XXX4BFXXAA
71	0121L01159RFNG POST-SIDE SUPPORT (M1, M2, M3, M5, M6, M7, M8, M9, M10, M11, M12, M14, M15, M16, M17, M20, M24, M26, M27)	M10	- DSC060XXX4BHXBAA
NS	0121L02655 END RAIL	M11	- DSC060XXX4BHXOAA
NS	0164L00009 GASKET-RUBBER, CPOST (QTY 3)	M12	- DSC060XXX4BWXBAA
NS	0164L00011 GASKET-RUBBER, SIDE POST (QTY 2)	M13	- DSC060XXX4BXDCAA
Image 2:		M14	- DSC060XXX4BXXXAA
12	0121L00236NG DUCT PANEL	M15	- DSC060XXX7BBXXAA
22	0121L00023NG RETURN DUCT COVER	M16	- DSC060XXX7BFXXAA
32	0121L00024NG SUPPLY DUCT COVER	M17	- DSC060XXX7BXXXAA
42	0121L01176NG ELECTRIC HEAT DOOR	M18	- DSC0600103BADXAA
52	0121L01157NG BLOWER DOOR	M19	- DSC0600103BFDXAA
62	0121G00301 RAIL CORNER BRACKET (QTY 4)	M20	- DSC0600104BMXBAA
72	0121L01121NG LOUVERED CONTROL PANEL (M1, M2, M3, M5, M6, M7, M8, M9, M10, M11, M12, M14, M15, M16, M17, M20, M24, M26, M27)	M21	- DSC0600104BRDBAA
72	0121L02551NG LOUVERED CONTROL PANEL (M4, M13, M18, M19, M21, M22, M23, M25, M28, M29, M30)	M22	- DSC0600104BXDZAA
82	0121L00244RF SIDE RAIL (QTY 2)	M23	- DSC0600153BHDXAA
92	0121L00245 END RAIL	M24	- DSC0600153BHXAAA
		M25	- DSC0600153BWDFAA
		M26	- DSC0600154BHXBAA
		M27	- DSC0600203BHXAAA
		M28	- DSC0600204BVDBAA
		M29	- DSC0600204BXDCAA
		M30	- DSC0600207BHDXAA

Partition, Condenser and Evaporator Assy

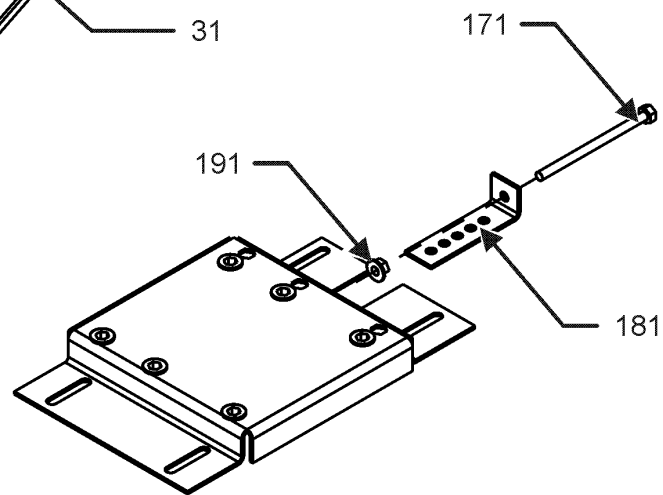
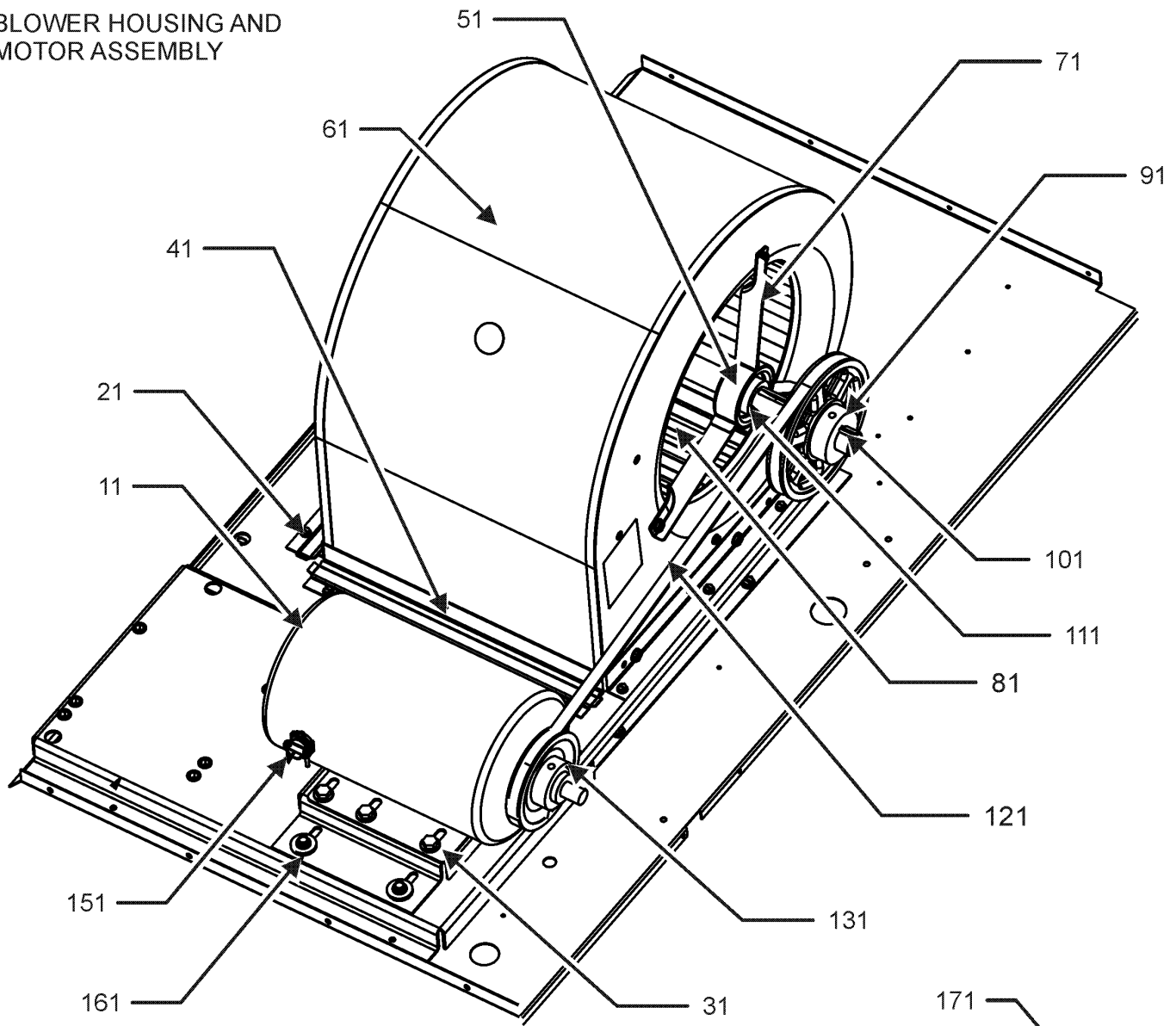


Partition, Condenser and Evaporator Assy

Ref. Part No: No:	Description:	Ref. Part No: No:	Description:
Image 1:		Expanded Model Nomenclature	
11	0201L00141 TUBING ASSY, COND COIL	M1	- DSC060XXX3BVXBAA
21	0202L00020 TUBING ASSY, EVAP COIL	M2	- DSC060XXX3BVXMAA
31	0121L00252 BLOCKOFF-EVAPORATOR (M22)	M3	- DSC060XXX3BWXXAA
31	0121L00337 BLOCKOFF-EVAPORATOR (M11, M22)	M4	- DSC060XXX3BXDXAA
41	0121L00303 FILTER ANGLE-VERTICAL (HAIRPIN SIDE)	M5	- DSC060XXX3BXXDAA
51	0121L00287 FILTER ANGLE-VERTICAL (RETURN SIDE)	M6	- DSC060XXX3BXXXAA
61	0121L00932 FILTER ANGLE-HORIZONTAL (QTY 2)	M7	- DSC060XXX4BAXCAA
71	0121L01255 ANGLE-FILTER CENTER	M8	- DSC060XXX4BBXXAA
211	0121L00882 BLOCKOFF-CONDENSER	M9	- DSC060XXX4BFXXAA
221	0121L00939 CONDENSER BLOCKOFF PLATE	M10	- DSC060XXX4BHXBAA
231	0121L00238 DRAIN PAN SUPPORT	M11	- DSC060XXX4BHXOAA
241	0161L00005 DRAIN PAN	M12	- DSC060XXX4BWXBAA
251	0121L02123 DECK SIDE CHANNEL	M13	- DSC060XXX4BXDCAA
261	0121L00254 COND MOUNTING ANGLE	M14	- DSC060XXX4BXXXAA
321	0163L00071 DRAIN PLUG	M15	- DSC060XXX7BBXXAA
331	0154L00009 DRAIN PAN GASKET	M16	- DSC060XXX7BFXXAA
451	0121L00288 ELECTRIC HEAT RETAINER	M17	- DSC060XXX7BXXXAA
461	0121L00144 ELECTRIC HEAT COVER (M27)	M18	- DSC0600103BADXAA
471	0121L00256 ELECTRIC HEAT PANEL	M19	- DSC0600103BFDXAA
481	0121L03396 DECK-BLOWER	M20	- DSC0600104BMXBAA
491	A4568804 GROMMET-D (QTY 4)	M21	- DSC0600104BRDBAA
NS	0160L00173 AIR FILTER 14 X 20 X 2 (QTY 4)	M22	- DSC0600104BXDZAA
NS	0121L01377 BLOWER DECK SUPPORT (M4, M13, M18, M19, M21, M22, M23, M25, M28, M29, M30)	M23	- DSC0600153BHDXAA
NS	0121L00321 SMOKE DETECTOR COVER	M24	- DSC0600153BHXAAA
		M25	- DSC0600153BWDFAA
		M26	- DSC0600154BHXBAA
		M27	- DSC0600203BHXAAA
		M28	- DSC0600204BVDBAA
		M29	- DSC0600204BXDCAA
		M30	- DSC0600207BHDXAA

Belt Drive Blower Assembly

BLOWER HOUSING AND
MOTOR ASSEMBLY



MOUNTING PLATE ASSEMBLY

Belt Drive Blower Assembly

Ref. Part

No: No:

Description:

Ref. Part

No: No:

Description:

Image 1:

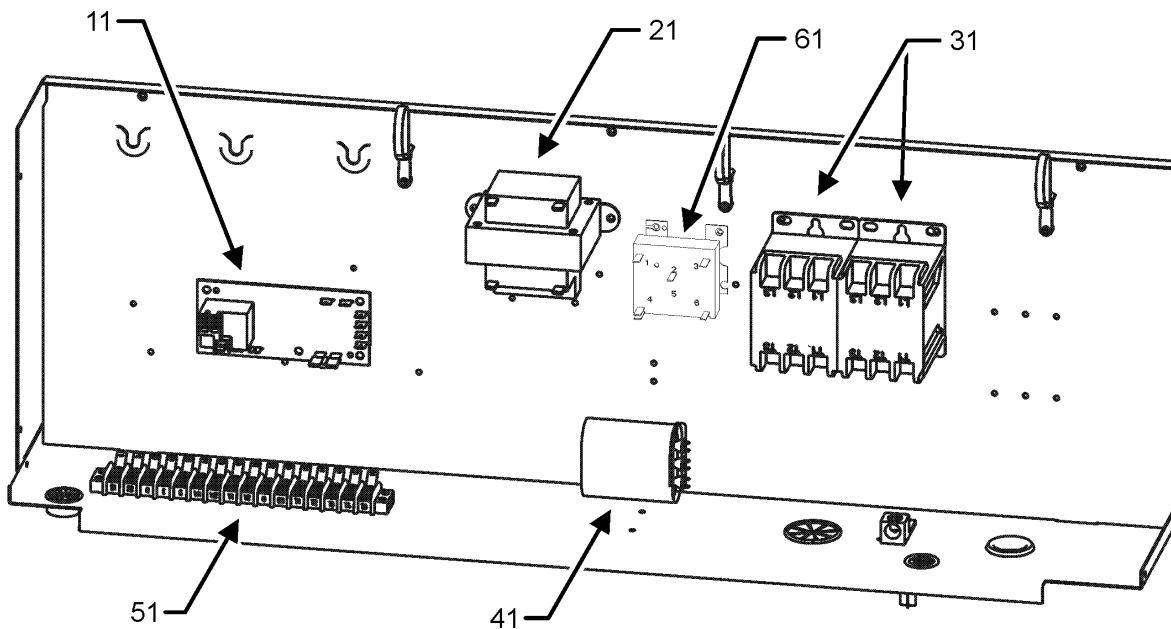
11	0131L00067	MOTOR, 1 HP BELT DRIVE (M1, M2, M3, M4, M5, M6, M7, M8, M9, M10, M11, M12, M13, M14, M18, M19, M20, M21, M22, M23, M24, M25, M26, M27, M28, M29)
11	0131L00079	MOTOR, 1 HP BELT DRIVE (M15, M16, M17, M30)
21	0121L00297	BLOWER SIDE ANGLE (QTY 3)
31	0121L01619	MOTOR BASE
41	0121L00281	BLOWER MOUNTING ANGLE
51	0163L00005	BELT DRIVE BLOWER SHAFT
61	2539302F	BLOWER HOUSING 11 X 10
71	B3201300	MOUNTING BRACKET BEARING (QTY 2)
81	B1368056	BELT DRIVE BLOWER WHEEL
91	0163L00138	SHEAVE, FIXED AK61H
101	0163M00407	MACHINE KEY, SPECIAL
111	0163L00247	BEARING, BALL, MOUNTED (QTY 2)
121	0164L00010	FAN BELT, NOTCHED
131	0163L00012	VARIABLE PITCH SHEAVE VL40
151	B1393726	ELECT. CONNECTING BUSHING
161	B1393738	BOLT 1/4-20 X 3/4" (QTY 4)
171	0163M00045	BOLT 1/4-20 X 4"
181	3225000F	BELT TIGHTENER ANGLE
191	B1393023	NUT / LOCK .25-20
NS	1864703	BLOWER CUT-OFF ASM,5TON,MORRIS
NS	B1398603	STEEL KEY (000158812) 4.5"

Expanded Model Nomenclature

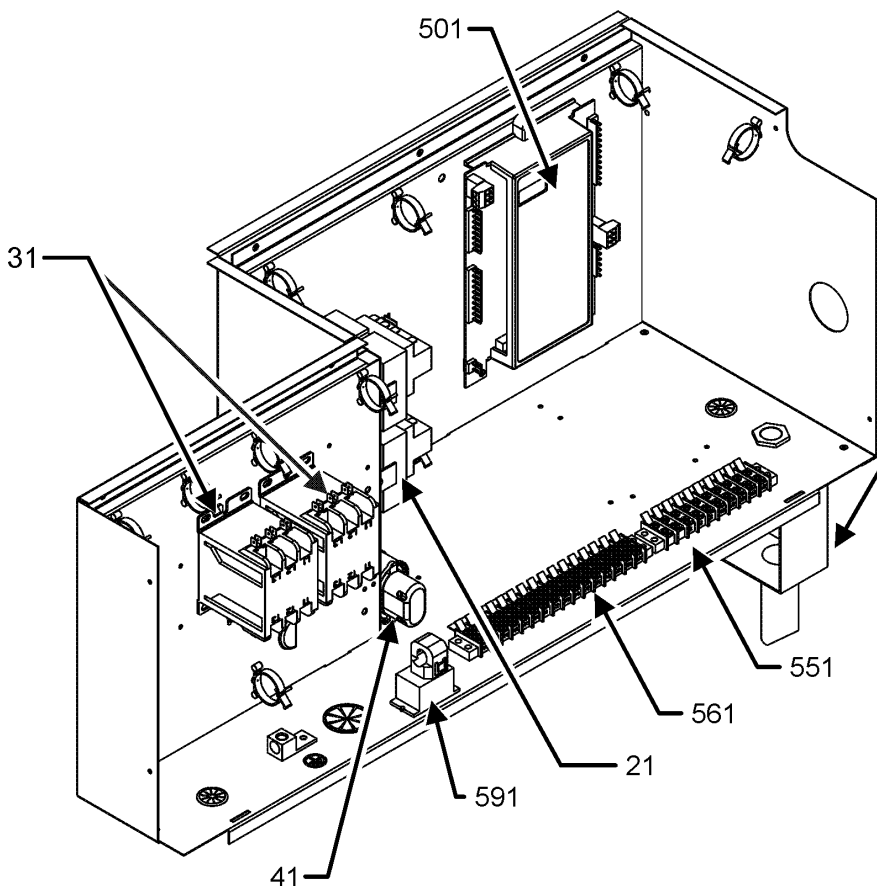
M1 - DSC060XXX3BVXBAA
M2 - DSC060XXX3BVXMAA
M3 - DSC060XXX3BWXXAA
M4 - DSC060XXX3BXDXAA
M5 - DSC060XXX3BXXDAA
M6 - DSC060XXX3BXXXAA
M7 - DSC060XXX4BAXCAA
M8 - DSC060XXX4BBXXAA
M9 - DSC060XXX4BFXXAA
M10 - DSC060XXX4BHXBAA
M11 - DSC060XXX4BHXOAA
M12 - DSC060XXX4BWXBAA
M13 - DSC060XXX4BXDCAA
M14 - DSC060XXX4BXXXAA
M15 - DSC060XXX7BBXXAA
M16 - DSC060XXX7BFXXAA
M17 - DSC060XXX7BXXXAA
M18 - DSC0600103BADXAA
M19 - DSC0600103BFDXAA
M20 - DSC0600104BMXBAA
M21 - DSC0600104BRDBAA
M22 - DSC0600104BXDZAA
M23 - DSC0600153BHDXAA
M24 - DSC0600153BHXAAA
M25 - DSC0600153BWDFAA
M26 - DSC0600154BHXBAA
M27 - DSC0600203BHXAAA
M28 - DSC0600204BVDBAA
M29 - DSC0600204BXDCAA
M30 - DSC0600207BHDXAA

Control Panel Assembly

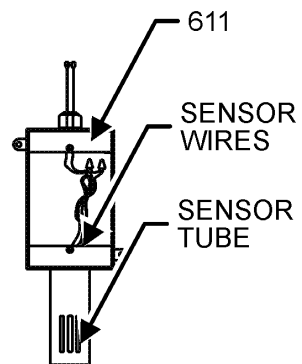
STANDARD CONTROL BOX ASSEMBLY



CONTROL BOX FOR MODELS WITH DDC CONTROL



SEE OUTDOOR AIR TEMP SENSOR DETAIL



FRONT VIEW

OUTDOOR AIR TEMP SENSOR DETAIL

Control Panel Assembly

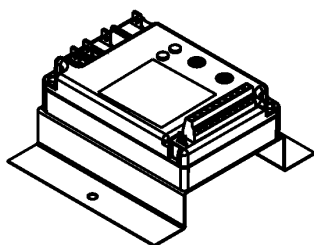
Ref. Part No:	Ref. Part No:	Description:	Description:
Image 1:		Expanded Model Nomenclature	
11	PCBFM103	ELECTRONIC BLOWER TIME DELAY	M1 - DSC060XXX3BVXBAA
21	0130M00138	TRANSFORMER 208/230, 24V (M1, M2, M3, M4, M5, M6, M18, M19, M23, M24, M25, M27)	M2 - DSC060XXX3BVXMAA
21	0130M00595	TRANSFORMER, 75VA, 480V TO 24V (M7, M8, M9, M10, M11, M12, M13, M14, M20, M21, M22, M26, M28, M29)	M3 - DSC060XXX3BWXXAA
21	0130M00598	TRANSFORMER, 75VA, 575V TO 24V (M15, M16, M17, M30)	M4 - DSC060XXX3BXDXAA
31	CONT3P025024V	CONTACTOR 25 AMP, 3P, 24V (M7, M8, M9, M10, M11, M12, M13, M14, M15, M16, M17, M20, M21, M22, M26, M28, M29, M30)	M5 - DSC060XXX3BXXDAA
31	CONT3P030024V	CONTACTOR 30 AMP, 3P, 24V (M1, M2, M3, M4, M5, M6, M18, M19, M23, M24, M25, M27)	M6 - DSC060XXX3BXXXAA
41	CAP100000440LA	CAP 10 MFD/440V/OVAL (M1, M3, M4, M5, M6, M18, M23, M24, M27)	M7 - DSC060XXX4BAXCAA
41	CAP075000440LA	CAP 7.5 MFD/440V/OVAL (M13)	M8 - DSC060XXX4BBXXAA
41	CAP100000370LA	CAP, 10 MFD/370V/OVAL (M19)	M9 - DSC060XXX4BFXXAA
41	CAP050000370LA	CAP, 5 MFD/370V/OVAL (M2, M7, M25, M29)	M10 - DSC060XXX4BHXBAA
41	CAP050000440LA	CAPACITOR (M8, M9, M10, M11, M12, M14, M15, M16, M17, M20, M21, M22, M26, M28, M29, M30)	M11 - DSC060XXX4BHXOAA
51	0130M00038	TERMINAL BOARD	M12 - DSC060XXX4BWXBAA
61	0130M00025	24V RELAY (M11)	M13 - DSC060XXX4BXDCAA
501	PCBCG103	PCB, CONTROL, HP, GAS ,AC (M8, M9, M15, M16, M19, M20, M21)	M14 - DSC060XXX4BXXXAA
551	0130M00274	TERMINAL BOARD (M8, M9, M15, M16, M19, M20, M21)	M15 - DSC060XXX7BBXXAA
561	0130M00275	TERMINAL BOARD (M8, M9, M15, M16, M19, M20, M21)	M16 - DSC060XXX7BFXXAA
591	0259L00368	CURRENT SWITCH WITH TERMS (M8, M9, M15, M16, M19, M20, M21)	M17 - DSC060XXX7BXXXAA
611	0130L00108	OD Air Temp Sensor (M8, M9, M15, M16, M19, M20, M21)	M18 - DSC0600103BADXAA
NS	B821700	CAPACITOR BOOT (M8, M9, M15, M16, M19, M20, M21)	M19 - DSC0600103BFDXAA
NS	20520901	CAPACITOR STRAP	M20 - DSC0600104BMXBAA
NS	0130L00112	Duct Temp Sensor (M8, M9, M15, M16, M19, M20, M21)	M21 - DSC0600104BRDBAA
NS	0259L00178	HARNESS, ECONOMIZER	M22 - DSC0600104BXDZAA
NS	0259L00092	HARNESS-SMOKE DETECTOR SENSOR (M11, M22)	M23 - DSC0600153BHDXAA
NS	0130L00107	ROOM SENSOR (M8, M9, M15, M16, M19, M20, M21)	M24 - DSC0600153BHXAAA
NS	0259L00090	WIRE HARNESS-SMOKE DETECTOR (M22)	M25 - DSC0600153BWDFAA
NS	0259L00091	WIRE HARNESS-SMOKE DETECTOR (M11)	M26 - DSC0600154BHXBAA
NS	0259L00054	WIRING HARNESS	M27 - DSC0600203BHXAAA
NS	0259L00061	WIRING HARNESS	M28 - DSC0600204BVDBAA
NS	0259L00064	WIRING HARNESS	M29 - DSC0600204BXDCAA
NS	0259L00065	WIRING HARNESS	M30 - DSC0600207BHDXAA
NS	0259L00070	WIRING HARNESS (M13)	

Accessory Parts List

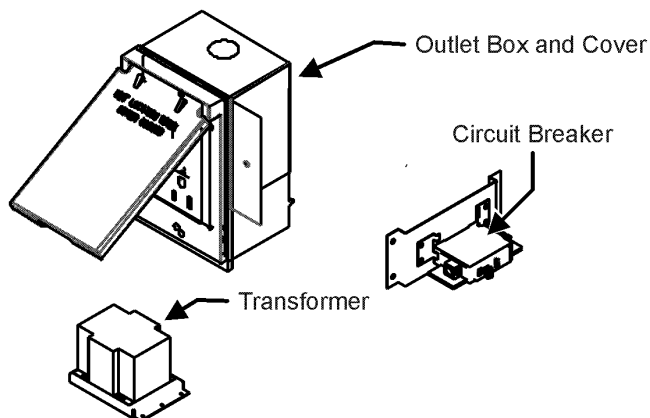
ACCESSORY PARTS LIST

NOTE: NOT ALL OPTIONS AVAILABLE FOR ALL PRODUCTS

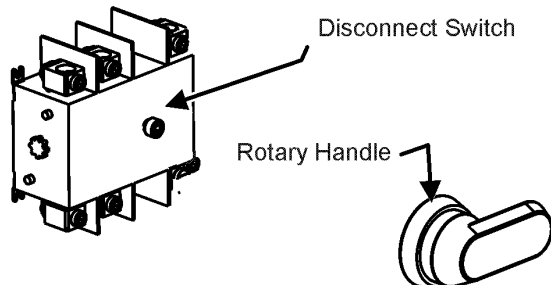
1 LOW AMBIENT KITS



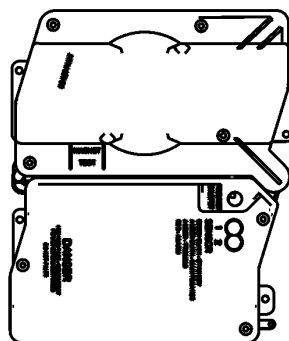
2 GFCI CONVENIENCE OUTLET



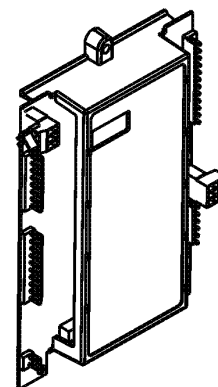
3 DISCONNECT MODULE (NON-FUSED)



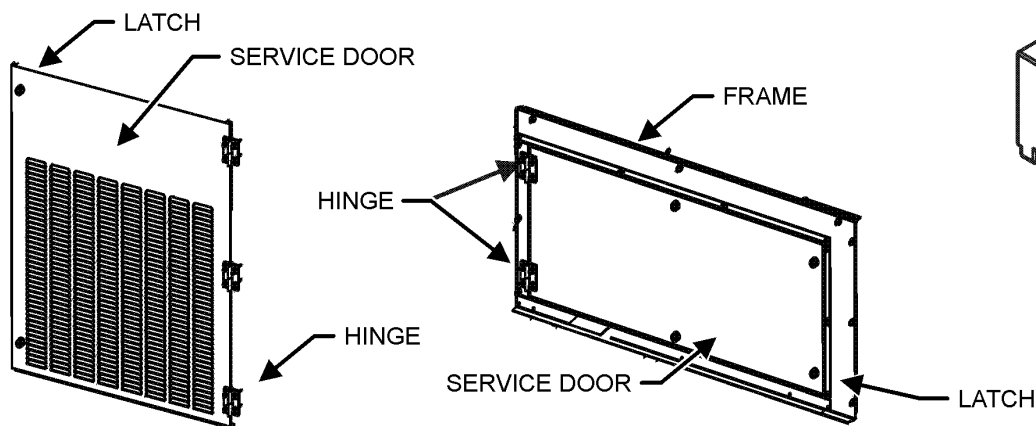
4 SMOKE DETECTORS



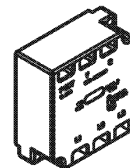
5 DDC CONTROL



6 HINGED DOOR ASSEMBLIES



7 PHASE MONITOR



Accessory Parts List

Ref. Part No:	Description:	Ref. Part No:	Description:
Image 1:		Expanded Model Nomenclature	
NS EHK3-10	10 KW 203-230/3 ELECTRIC EHAT (M18, M19)	M1 - DSC060XXX3BVXBAA	
NS EHK4-15	15KW 460/3 ELECTRIC HEAT (M26)	M2 - DSC060XXX3BVXMAA	
NS DDNECNJ3672C	3-6 TON DFLOW ECONOMIZER (M1, M2, M3, M12, M25, M28)	M3 - DSC060XXX3BWXXAA	
NS 10366D09C	3-6 TON DFLOW ECONOMIZER, DDC (M9, M16, M19, M21)	M4 - DSC060XXX3BXDXAA	
NS 0121L00316	BRACKET-CONV OUTLET MOUNT (M24, M25, M27)	M5 - DSC060XXX3BXXDAA	
NS 0121L00835	BRACKET-DISCONNECT SWITCH (M3, M27)	M6 - DSC060XXX3BXXXAA	
NS 0121L01934	BRACKET-SMOKE DETECTOR (M11, M22)	M7 - DSC060XXX4BAXCAA	
NS 0130M00065	CIRCUIT BREAKER, CONVENIENCE OUTLET (M1, M2, M10, M11, M12, M20, M21, M26, M28)	M8 - DSC060XXX4BBXXAA	
NS 0121L00837NG	DISCONNECT COVER (M3, M10, M11, M12, M20, M21, M23, M24, M25, M26, M27, M30)	M9 - DSC060XXX4BFXXAA	
NS EHK3-15	ELECTRIC HEATER KIT (M23, M24, M25)	M10 - DSC060XXX4BHXBAA	
NS EHK3-20	ELECTRIC HEATER KIT (M27)	M11 - DSC060XXX4BHXOAA	
NS EHK4-10	ELECTRIC HEATER KIT (M20, M21, M22)	M12 - DSC060XXX4BWXBAA	
NS EHK4-20	ELECTRIC HEATER KIT (M28, M29)	M13 - DSC060XXX4BXDCAA	
NS 0130L00012	GANG BOX-GFCI OUTLET (M24, M25, M27)	M14 - DSC060XXX4BXXXAA	
NS 0130L00039	HANDLE, ROTARY (M3, M10, M11, M12, M20, M21, M23, M24, M25, M26, M27, M30)	M15 - DSC060XXX7BBXXAA	
NS 0163M00307	HINGE, LEFT HAND (M4, M13, M18, M19, M21, M22, M23, M25, M28, M29, M30)	M16 - DSC060XXX7BFXXAA	
NS 0163M00308	HINGE, RIGHT HAND (M4, M13, M18, M19, M21, M22, M23, M25, M28, M29, M30)	M17 - DSC060XXX7BXXXAA	
NS 0163M00360	LATCH (M4, M13, M18, M19, M21, M22, M23, M25, M28, M29, M30)	M18 - DSC0600103BADXAA	
NS 0130M00058	LOW AMBIENT KIT (M13)	M19 - DSC0600103BFDXAA	
NS 0121L02509NG	PNT, BLOWER FRAME (M4, M13, M18, M19, M21, M22, M23, M25, M28, M29, M30)	M20 - DSC0600104BMXBAA	
NS 0161G00012	POWER OUTLET BOX (M24, M25, M27)	M21 - DSC0600104BRDBAA	
NS 0130L00103	RECEPTACLE-GFCI OUTLET (M24, M25, M27)	M22 - DSC0600104BXDZAA	
NS 0121L02527NG	SERVICE DOOR BACK, BLOWER (M4, M13, M18, M19, M21, M22, M23, M25, M28, M29, M30)	M23 - DSC0600153BHDXAA	
NS 0121L02526NG	SERVICE DOOR FRONT, BLOWER (M4, M13, M18, M19, M21, M22, M23, M25, M28, M29, M30)	M24 - DSC0600153BHXAAA	
NS 0130L00042	SHAFT, CUT (M10, M11, M12, M20, M21, M23, M24, M25, M26, M30)	M25 - DSC0600153BWDFAA	
NS 0130L00049	SHAFT, DISCONNECT (M3, M27)	M26 - DSC0600154BHXBAA	
NS D4120	SMOKE DETECTOR, PHOTO 4WIRE (M11, M22)	M27 - DSC0600203BHXAAA	
NS D4S	SMOKE DETECTOR, SENSOR ONLY (M11, M22)	M28 - DSC0600204BVDBAA	
NS 0130L00027	SWITCH-DISCONNECT 100A (M3, M27)	M29 - DSC0600204BXDCAA	
NS 0130L00046	SWITCH-DISCONNECT 60A (M10, M11, M12, M20, M21, M23, M24, M25, M26, M30)	M30 - DSC0600207BHDXAA	
NS 0130M00061	TRANSFORMER, CONVENIENCE OUTLET (M1, M2, M10, M11, M12, M20, M21, M26, M28)		