

## Commercial 5 Ton High Static Belt Drive Package Cooling Unit

DSC0600103HHDAAA  
DSC0600157HRMXAA  
DSC0600203HRBQAA  
DSC0600204HHXDAA  
DSC060XXX3HXXXAA  
DSC060XXX4HAXAAA



This manual is to be used by qualified technicians only.

This manual replaces RP-D1225A.

# Important Information

---

## Index

|                              |        |
|------------------------------|--------|
| Functional Parts List .....  | 3      |
| Illustration and Parts ..... | 4 - 15 |

*Views shown are for parts illustrations only, not servicing procedures*

### Text Codes:

AR - As Required

NA - Not Available

NS - Not Shown

00000000 - See Note

QTY - Quantity Example (QTY 3) (If Quantity not shown, Quantity = 1)

M - Model Example (M1) (If M Code not shown, then part is used on all Models)

### Expanded Model Nomenclature:

|   |
|---|
| Example<br>M1 - Model#1<br>M2 - Model#2<br>M3 - Model#3 |
|---|

Daikin Company, L.P. is not responsible for personal injury or property damage resulting from improper service. Review all service information before beginning repairs.

Warranty service must be performed by an authorized technician, using authorized factory parts. If service is required after the warranty expires, Daikin Company, L.P. also recommends contacting an authorized technician and using authorized factory parts.

Daikin Company, L.P. reserves the right to discontinue, or change at any time, specifications or designs without notice or without incurring obligations.

For assistance within the U.S.A. contact:

Equipment Support  
Daikin North America, LLC  
19001 Kermier Road  
Waller, Texas 77484  
855-770-5678-Telephone  
713-863-2382-Facsimile

For assistance outside the U.S.A. contact:

International Division  
Daikin North America, LLC  
19001 Kermier Road  
Waller, Texas 77484  
713-861-2500-Telephone  
713-863-2382-Facsimile

# Functional Parts

## Part

## No: Description:

---

|                |   |
|----------------|---|
| B1368056       | BELT DRIVE BLOWER WHEEL                             |
| CAP100000440LA | CAP 10 MFD/440V/OVAL (M1, M3, M5)                   |
| CAP050000440LA | CAPACITOR (M2, M4, M6)                              |
| ZP51K5ETF5130  | COMPRESSOR 51000, 208/230/60/3 (M1, M3, M5)         |
| ZP51K5ETFD130  | COMPRESSOR 51000, 460/60/3 (M2, M6)                 |
| ZP51K5ETFE130  | COMPRESSOR 51000, 575/60/3 (M4)                     |
| CONT3P025024V  | CONTACTOR 25 AMP, 3P, 24V (M2, M4, M6)              |
| CONT3P030024V  | CONTACTOR 30 AMP, 3P, 24V (M1, M3, M5)              |
| 0259L00368     | CURRENT SWITCH WITH TERMS (M4, M5)                  |
| 0130M00074     | CUT-OUT SWITCH, HIGH PRESSURE                       |
| 0130M00087     | CUT-OUT SWITCH, LOW PRESSURE                        |
| 0130L00112     | Duct Temp Sensor (M4, M5)                           |
| PCBFM103       | ELECTRONIC BLOWER TIME DELAY                        |
| 0164L00010     | FAN BELT, NOTCHED                                   |
| 0150G00004     | FAN BLADE   |
| 0131M00839     | MOTOR, 1/4 HP, OD (M4)                              |
| 0131M00838     | MOTOR, 1/4 HP, OD (M2, M6)                          |
| 0131M00837     | MOTOR, 1/4 HP, OD (M1, M3, M5)                      |
| 0131L00092     | MOTOR, 208-230 & 460V/60HZ 3PH (M1, M2, M3, M5, M6) |
| 0131L00093     | MOTOR, 575V/60HZ 3PH (M4)                           |
| 0130L00108     | OD Air Temp Sensor (M4, M5)                         |
| PCBCG103       | PCB, CONTROL, HP, GAS, AC (M4, M5)                  |
| 0130M00038     | TERMINAL BOARD                                      |
| 0130M00274     | TERMINAL BOARD (M4, M5)                             |
| 0130M00275     | TERMINAL BOARD (M4, M5)                             |
| 0130M00138     | TRANSFORMER 208/230, 24V (M1, M3, M5)               |
| 0130M00595     | TRANSFORMER, 75VA, 480V TO 24V (M2, M6)             |
| 0130M00598     | TRANSFORMER, 75VA, 575V TO 24V (M4)                 |

### Expanded Model Nomenclature

|                       |
|-----------------------|
| M1 - DSC060XXX3HXXXAA |
| M2 - DSC060XXX4HAXAAA |
| M3 - DSC0600103HHDAAA |
| M4 - DSC0600157HRMXAA |
| M5 - DSC0600203HRBQAA |
| M6 - DSC0600204HHXDAA |

# Top Panel and Tubing Assembly

IMAGE 1

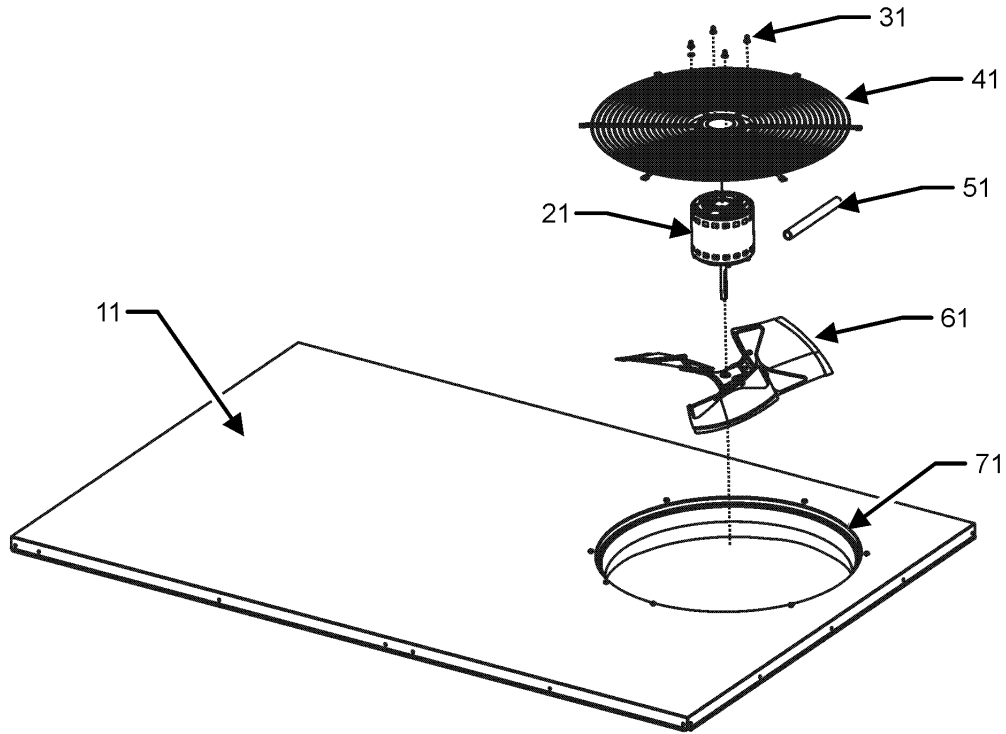
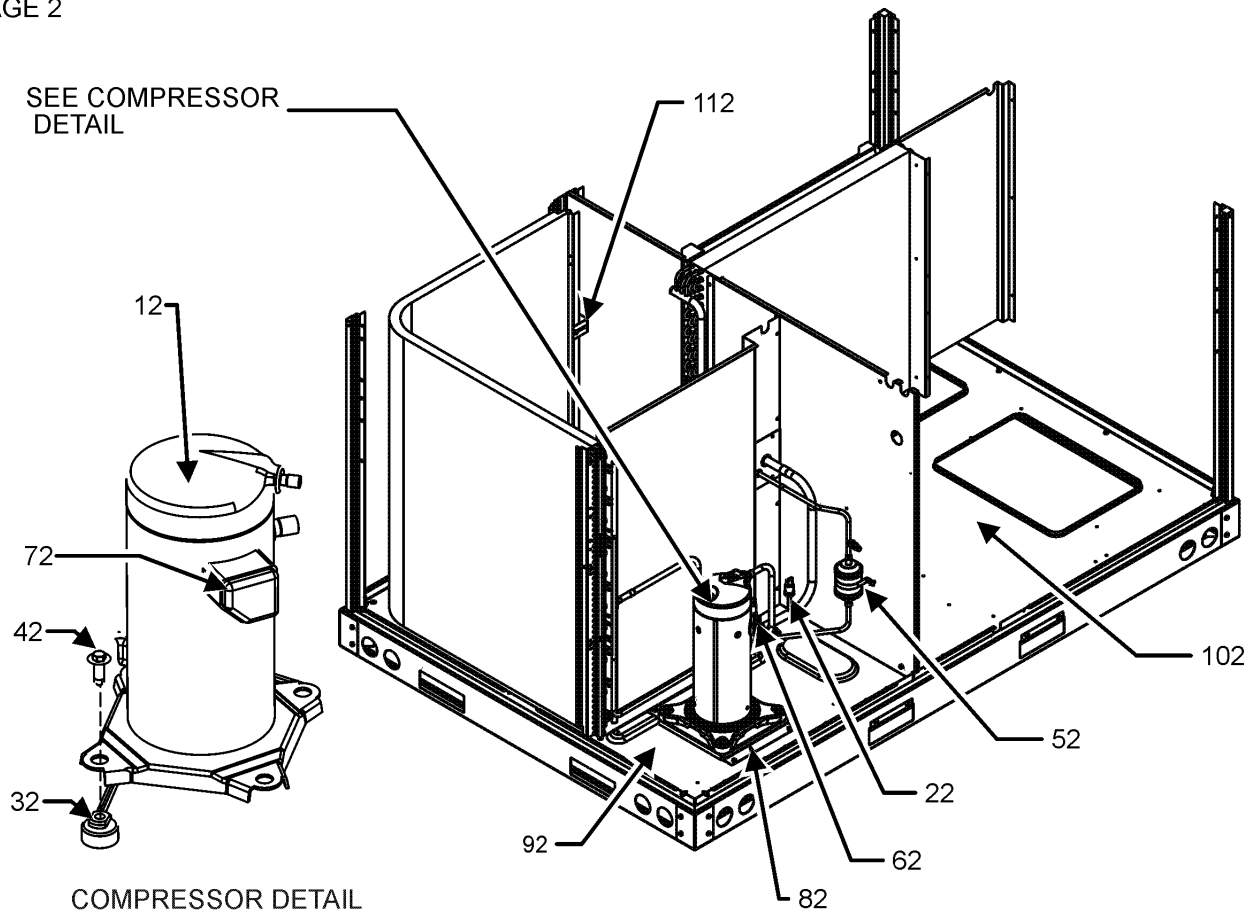


IMAGE 2



# Top Panel and Tubing Assembly

| Ref. Part No: No: | Description: | Ref. Part No: No: | Description: |
|-------------------|--------------|-------------------|--------------|
|-------------------|--------------|-------------------|--------------|

**Image 1:**

|    |              |                                       |
|----|--------------|---------------------------------------|
| 11 | 0121L00235NG | TOP PANEL                             |
| 21 | 0131M00837   | MOTOR, 1/4 HP, OD (M1, M3, M5)        |
| 21 | 0131M00838   | MOTOR, 1/4 HP, OD (M2, M6)            |
| 21 | 0131M00839   | MOTOR, 1/4 HP, OD (M4)                |
| 31 | 0163M00006P  | ACORN NUT 5/16 HEX BLACK (QTY 4)      |
| 41 | 0152G00000   | FAN GRILLE, RAISED                    |
| 51 | 0161R00003P  | CONDUIT                               |
| 61 | 0150G00004   | FAN BLADE                             |
| 71 | 0161L00000   | VENTURI RING 22"                      |
| NS | 0163M00004   | SCREW #10X3/4", BLACK (QTY 3)         |
| NS | 0163M00005P  | WASHER, BLACK (.50 OD .218ID) (QTY 4) |

**Image 2:**

|     |               |   |
|-----|---------------|---|
| 12  | ZP51K5ETF5130 | COMPRESSOR 51000, 208/230/60/3 (M1, M3, M5) |
| 12  | ZP51K5ETFD130 | COMPRESSOR 51000, 460/60/3 (M2, M6)         |
| 12  | ZP51K5ETFE130 | COMPRESSOR 51000, 575/60/3 (M4)             |
| 22  | 0130M00087    | CUT-OUT SWITCH, LOW PRESSURE                |
| 32  | B1339533      | COMPRESSOR GROMMET (QTY 4)                  |
| 42  | M0221641      | TF SHOULDER SCREW (QTY 4)                   |
| 52  | 0162R00009    | FILTER DRIER                                |
| 62  | 0130M00074    | CUT-OUT SWITCH, HIGH PRESSURE               |
| 72  | 0159L00065    | COMPRESSOR SCROLL HARNESS                   |
| 82  | 0121L00310    | COMPRESSOR MOUNTING PLATE                   |
| 92  | 0121L01990    | BASE PAN, OUTDOOR                           |
| 102 | 0121L02619    | BASE PAN-INDOOR                             |
| 112 | 0121L00936    | BRACKET-HAIRPIN END (QTY 2)                 |
| NS  | B1373315      | ACCESS FITTING (QTY 2)                      |
| NS  | 0141L00003X   | FORK BOARD (QTY 2)                          |
| NS  | 0121L00055    | FORK BOARD BRACKET (QTY 4)                  |

**Expanded Model Nomenclature**

|                       |
|-----------------------|
| M1 - DSC060XXX3HXXXAA |
| M2 - DSC060XXX4HAXAAA |
| M3 - DSC0600103HHDAAA |
| M4 - DSC0600157HRMXAA |
| M5 - DSC0600203HRBQAA |
| M6 - DSC0600204HHXDAA |

# Cabinet Assembly

IMAGE 1

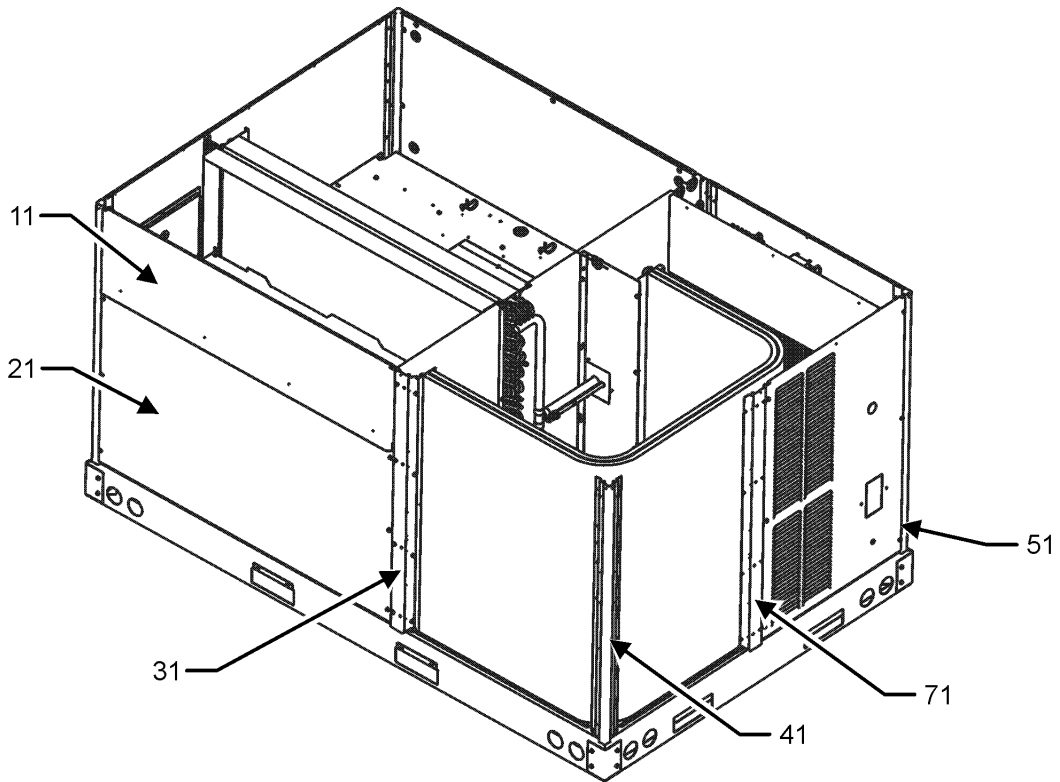
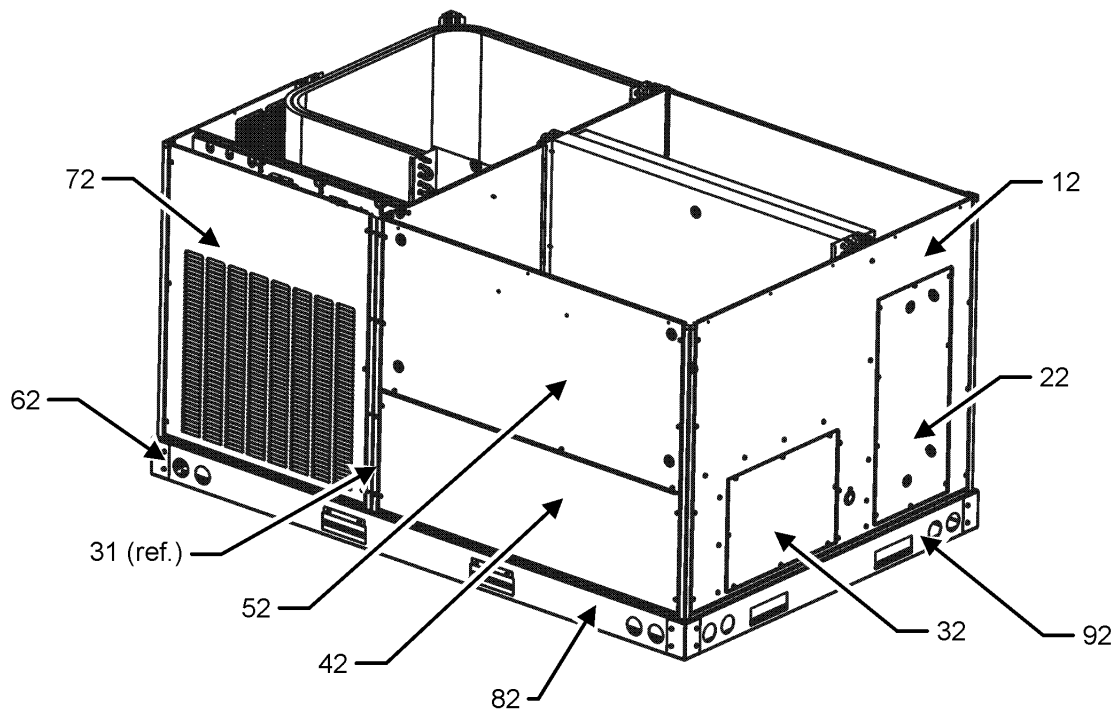


IMAGE 2



# Cabinet Assembly

| Ref. Part No: | Part No: | Description: | Ref. Part No: | Part No: | Description: |
|---------------|----------|--------------|---------------|----------|--------------|
|---------------|----------|--------------|---------------|----------|--------------|

**Image 1:**

|    |                |  |  |  |  |
|----|----------------|--|--|--|--|
| 11 | 0270L00362NG   | FILTER DOOR                                |  |  |  |
| 21 | 0121L01309     | ECONOMIZER COVER (M2, M4, M5)              |  |  |  |
| 21 | 0121L00976NG   | ECONOMIZER DOOR (M1, M3, M6)               |  |  |  |
| 31 | 0121L00233RFNG | POST-SIDE SUPPORT (QTY 2)                  |  |  |  |
| 41 | 0121L00237RFNG | CORNER POST (QTY 4)                        |  |  |  |
| 41 | 0121L02553RFNG | PNT, CORNER POST (M3, M4)                  |  |  |  |
| 51 | 0121L00263NG   | LOUVERED COMPRESSOR PANEL (M1, M2)         |  |  |  |
| 51 | 0121L00836NG   | LOUVERED COMPRESSOR PANEL (M3, M4, M5, M6) |  |  |  |
| 71 | 0121L01374RFNG | PNT, RL FMD SIDE POST SUPPORT (M3, M4)     |  |  |  |
| 71 | 0121L01159RFNG | POST-SIDE SUPPORT (M1, M2, M5, M6)         |  |  |  |
| NS | 0121L02655     | END RAIL                                   |  |  |  |
| NS | 0164L00009     | GASKET-RUBBER, CPOST (QTY 3)               |  |  |  |
| NS | 0164L00011     | GASKET-RUBBER, SIDE POST (QTY 2)           |  |  |  |

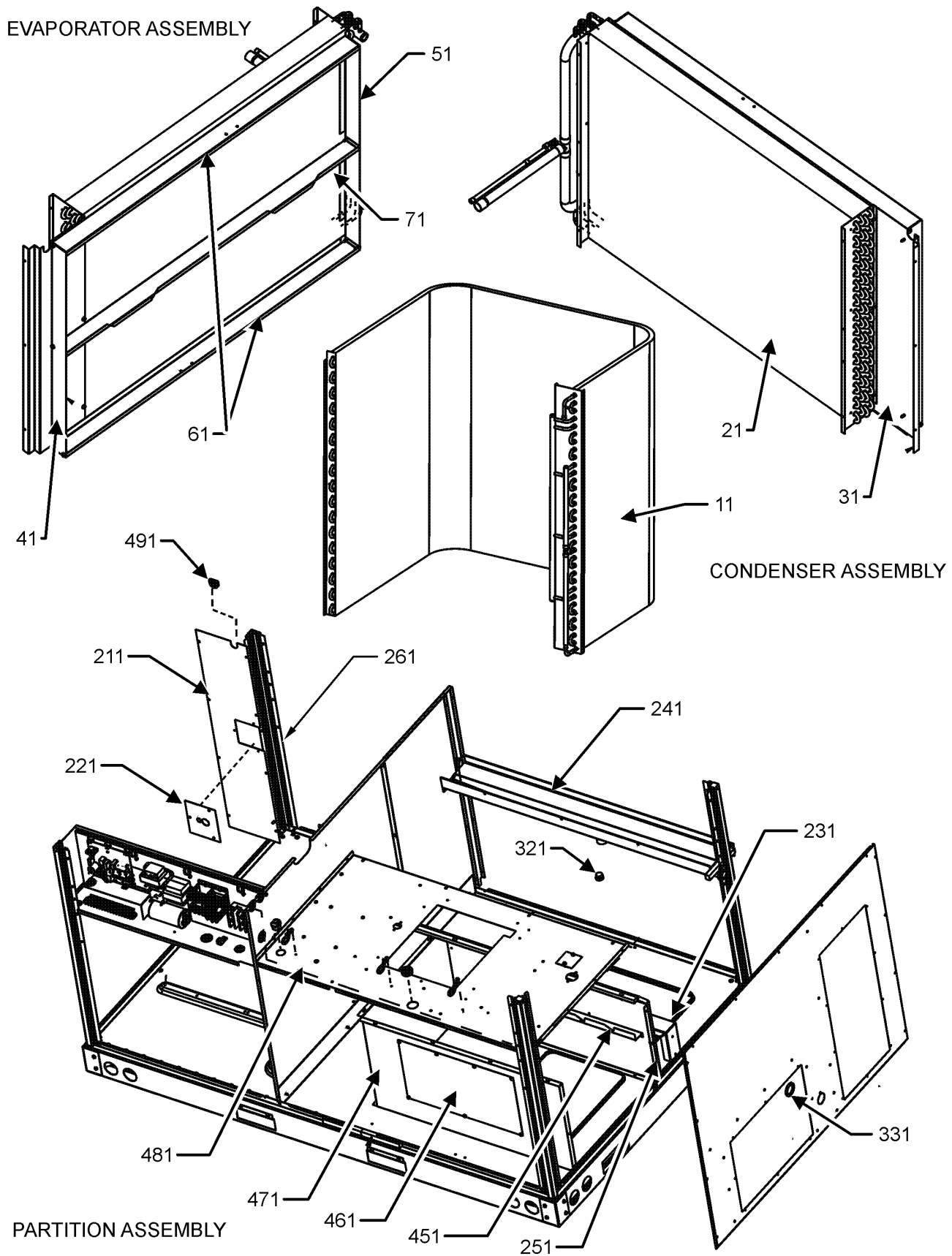
**Image 2:**

|    |              |   |  |  |  |
|----|--------------|---|--|--|--|
| 12 | 0121L00236NG | DUCT PANEL                              |  |  |  |
| 22 | 0121L00023NG | RETURN DUCT COVER                       |  |  |  |
| 32 | 0121L00024NG | SUPPLY DUCT COVER                       |  |  |  |
| 42 | 0121L01176NG | ELECTRIC HEAT DOOR                      |  |  |  |
| 52 | 0121L01157NG | BLOWER DOOR                             |  |  |  |
| 62 | 0121G00301   | RAIL CORNER BRACKET (QTY 4)             |  |  |  |
| 72 | 0121L01121NG | LOUVERED CONTROL PANEL (M1, M2, M5, M6) |  |  |  |
| 72 | 0121L02551NG | LOUVERED CONTROL PANEL (M3, M4)         |  |  |  |
| 82 | 0121L00244RF | SIDE RAIL (QTY 2)                       |  |  |  |
| 92 | 0121L00245   | END RAIL                                |  |  |  |

**Expanded Model Nomenclature**

|                       |
|-----------------------|
| M1 - DSC060XXX3HXXXAA |
| M2 - DSC060XXX4HAXAAA |
| M3 - DSC0600103HHDAAA |
| M4 - DSC0600157HRMXAA |
| M5 - DSC0600203HRBQAA |
| M6 - DSC0600204HHXDAA |

# Partition, Condenser and Evaporator Assy



# Partition, Condenser and Evaporator Assy

| Ref. Part No: | Part No: | Description: | Ref. Part No: | Part No: | Description: |
|---------------|----------|--------------|---------------|----------|--------------|
|---------------|----------|--------------|---------------|----------|--------------|

**Image 1:**

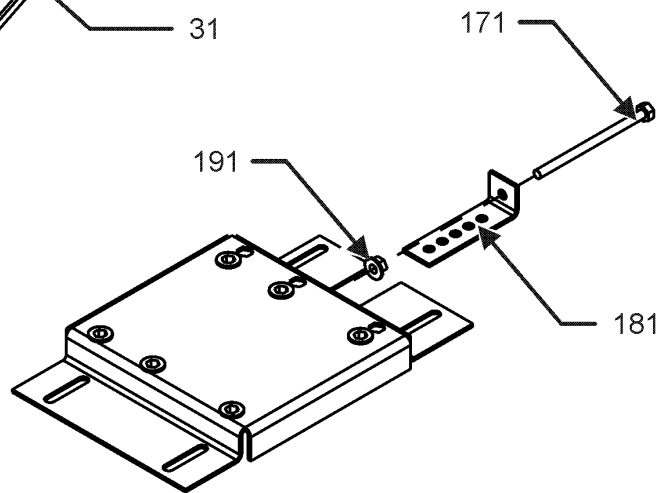
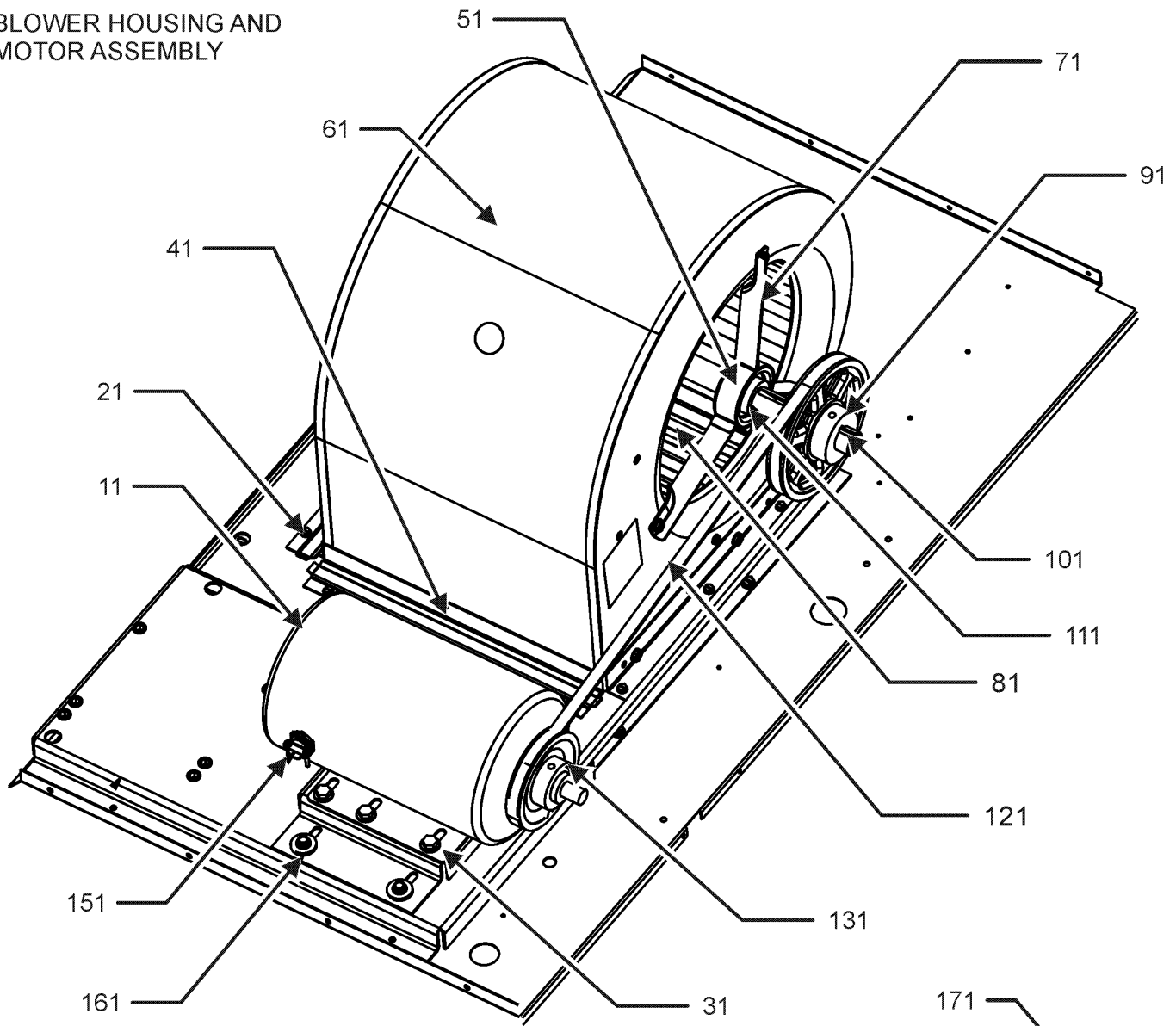
|     |            |                                      |  |  |  |
|-----|------------|--------------------------------------|--|--|--|
| 11  | 0201L00141 | TUBING ASSY, COND COIL               |  |  |  |
| 21  | 0202L00020 | TUBING ASSY, EVAP COIL               |  |  |  |
| 31  | 0121L00252 | BLOCKOFF-EVAPORATOR (M1, M2, M3, M4) |  |  |  |
| 31  | 0121L00337 | BLOCKOFF-EVAPORATOR (M5, M6)         |  |  |  |
| 41  | 0121L00303 | FILTER ANGLE-VERTICAL (HAIRPIN SIDE) |  |  |  |
| 51  | 0121L00287 | FILTER ANGLE-VERTICAL (RETURN SIDE)  |  |  |  |
| 61  | 0121L00932 | FILTER ANGLE-HORIZONTAL (QTY 2)      |  |  |  |
| 71  | 0121L01255 | ANGLE-FILTER CENTER                  |  |  |  |
| 211 | 0121L00882 | BLOCKOFF-CONDENSER                   |  |  |  |
| 221 | 0121L00939 | CONDENSER BLOCKOFF PLATE             |  |  |  |
| 231 | 0121L00238 | DRAIN PAN SUPPORT                    |  |  |  |
| 241 | 0161L00005 | DRAIN PAN                            |  |  |  |
| 251 | 0121L02123 | DECK SIDE CHANNEL                    |  |  |  |
| 261 | 0121L00254 | COND MOUNTING ANGLE                  |  |  |  |
| 321 | 0163L00071 | DRAIN PLUG                           |  |  |  |
| 331 | 0154L00009 | DRAIN PAN GASKET                     |  |  |  |
| 451 | 0121L00288 | ELECTRIC HEAT RETAINER               |  |  |  |
| 461 | 0121L00144 | ELECTRIC HEAT COVER                  |  |  |  |
| 471 | 0121L00256 | ELECTRIC HEAT PANEL                  |  |  |  |
| 481 | 0121L03396 | DECK-BLOWER                          |  |  |  |
| 491 | A4568804   | GROMMET-D (QTY 4)                    |  |  |  |
| NS  | 0160L00173 | AIR FILTER 14 X 20 X 2 (QTY 4)       |  |  |  |
| NS  | 0121L01377 | BLOWER DECK SUPPORT (M3, M4)         |  |  |  |
| NS  | 0121L00321 | SMOKE DETECTOR COVER                 |  |  |  |

**Expanded Model Nomenclature**

|                       |
|-----------------------|
| M1 - DSC060XXX3HXXXAA |
| M2 - DSC060XXX4HAXAAA |
| M3 - DSC0600103HHDAAA |
| M4 - DSC0600157HRMXAA |
| M5 - DSC0600203HRBQAA |
| M6 - DSC0600204HHXDAA |

# Belt Drive Blower Assembly

BLOWER HOUSING AND  
MOTOR ASSEMBLY



MOUNTING PLATE ASSEMBLY

# Belt Drive Blower Assembly

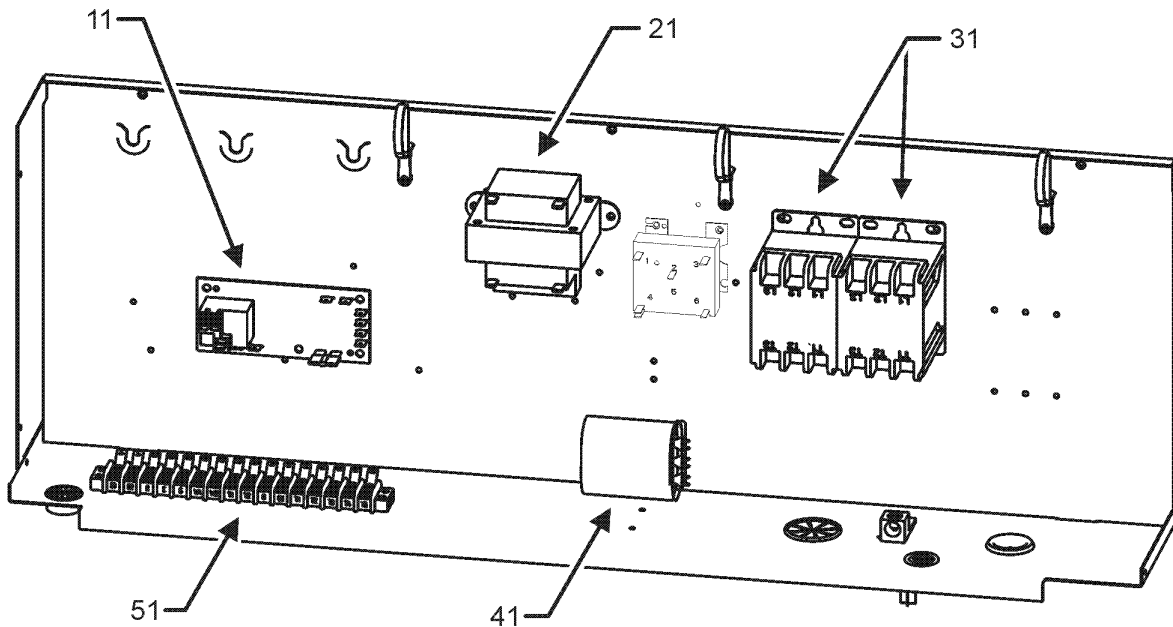
| Ref. Part No:   | No:        | Description:                                       | Ref. Part No: | No: | Description: |
|-----------------|------------|--|---------------|-----|--------------|
| <b>Image 1:</b> |            |  |               |     |              |
| 11              | 0131L00092 | MOTOR,208-230 & 460V/60HZ 3PH (M1, M2, M3, M5, M6) |               |     |              |
| 11              | 0131L00093 | MOTOR,575V/60HZ 3PH (M4)                           |               |     |              |
| 21              | 0121L00297 | BLOWER SIDE ANGLE (QTY 3)                          |               |     |              |
| 31              | 0121L01619 | MOTOR BASE   |               |     |              |
| 41              | 0121L00281 | BLOWER MOUNTING ANGLE                              |               |     |              |
| 51              | 0163L00005 | BELT DRIVE BLOWER SHAFT                            |               |     |              |
| 61              | 2539302F   | BLOWER HOUSING 11 X 10                             |               |     |              |
| 71              | B3201300   | MOUNTING BRACKET BEARING (QTY 2)                   |               |     |              |
| 81              | B1368056   | BELT DRIVE BLOWER WHEEL                            |               |     |              |
| 91              | 0163L00138 | SHEAVE, FIXED AK61H                                |               |     |              |
| 101             | 0163M00407 | MACHINE KEY, SPECIAL                               |               |     |              |
| 111             | 0163L00247 | BEARING, BALL, MOUNTED (QTY 2)                     |               |     |              |
| 121             | 0164L00010 | FAN BELT, NOTCHED                                  |               |     |              |
| 131             | 0163L00061 | SHEAVE, ADJUSTABLE (M4)                            |               |     |              |
| 131             | B2120013   | VARIABLE PITCH SHEAVE 1VM50 (M1, M2, M3, M5, M6)   |               |     |              |
| 151             | B1393726   | ELECT. CONNECTING BUSHING                          |               |     |              |
| 161             | B1393738   | BOLT 1/4-20 X 3/4" (QTY 4)                         |               |     |              |
| 171             | 0163M00045 | BOLT 1/4-20 X 4"                                   |               |     |              |
| 181             | 3225000F   | BELT TIGHTENER ANGLE                               |               |     |              |
| 191             | B1393023   | NUT / LOCK .25-20                                  |               |     |              |
| NS              | 1864703    | BLOWER CUT-OFF ASM,5TON,MORRIS                     |               |     |              |
| NS              | B1398603   | STEEL KEY (000158812) 4.5"                         |               |     |              |

## Expanded Model Nomenclature

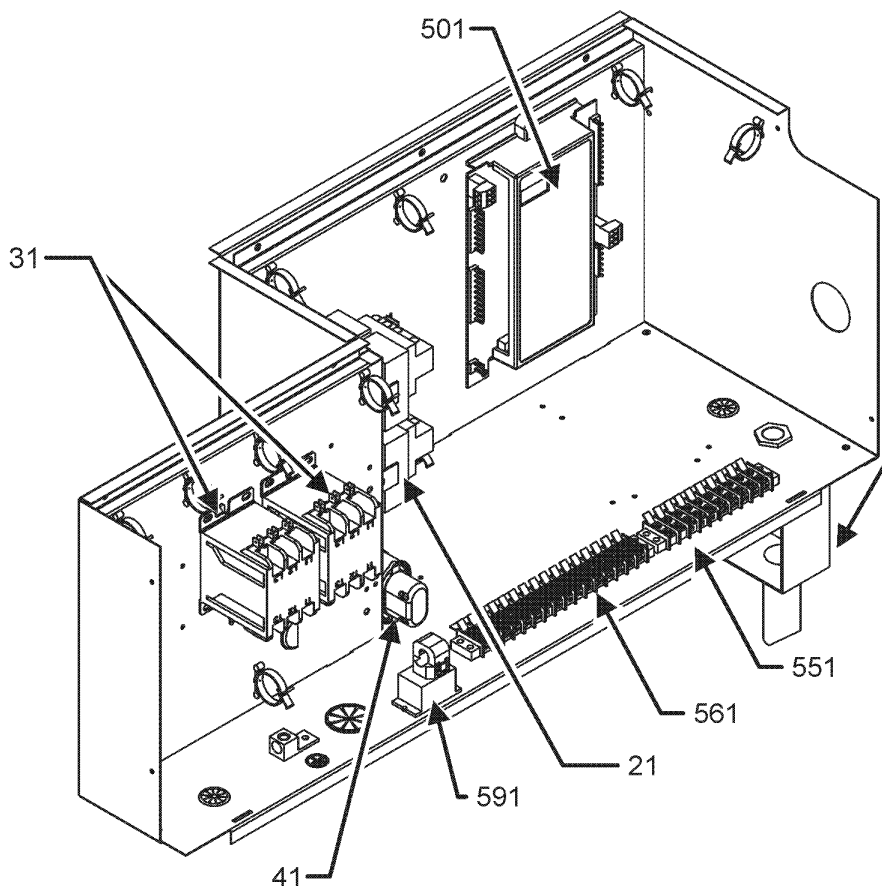
|                       |
|-----------------------|
| M1 - DSC060XXX3HXXXAA |
| M2 - DSC060XXX4HAXAAA |
| M3 - DSC0600103HHDAAA |
| M4 - DSC0600157HRMXAA |
| M5 - DSC0600203HRBQAA |
| M6 - DSC0600204HHXDAA |

# Control Panel Assembly

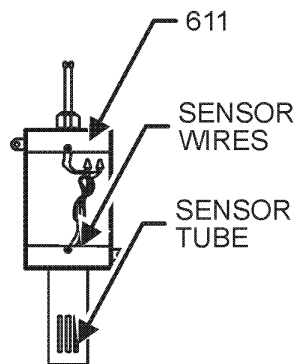
## STANDARD CONTROL BOX ASSEMBLY



CONTROL BOX FOR MODELS WITH DDC CONTROL



SEE OUTDOOR AIR TEMP SENSOR DETAIL



FRONT VIEW

OUTDOOR AIR TEMP SENSOR DETAIL

# Control Panel Assembly

| Ref. Part No: | Part No: | Description: | Ref. Part No: | Part No: | Description: |
|---------------|----------|--------------|---------------|----------|--------------|
|---------------|----------|--------------|---------------|----------|--------------|

**Image 1:**

|     |                |   |
|-----|----------------|---|
| 11  | PCBFM103       | ELECTRONIC BLOWER TIME DELAY            |
| 21  | 0130M00138     | TRANSFORMER 208/230, 24V (M1, M3, M5)   |
| 21  | 0130M00595     | TRANSFORMER, 75VA, 480V TO 24V (M2, M6) |
| 21  | 0130M00598     | TRANSFORMER, 75VA, 575V TO 24V (M4)     |
| 31  | CONT3P025024V  | CONTACTOR 25 AMP, 3P, 24V (M2, M4, M6)  |
| 31  | CONT3P030024V  | CONTACTOR 30 AMP, 3P, 24V (M1, M3, M5)  |
| 41  | CAP100000440LA | CAP 10 MFD/440V/OVAL (M1, M3, M5)       |
| 41  | CAP050000440LA | CAPACITOR (M2, M4, M6)                  |
| 51  | 0130M00038     | TERMINAL BOARD                          |
| 501 | PCBCG103       | PCB, CONTROL, HP, GAS, AC (M4, M5)      |
| 551 | 0130M00274     | TERMINAL BOARD (M4, M5)                 |
| 561 | 0130M00275     | TERMINAL BOARD (M4, M5)                 |
| 591 | 0259L00368     | CURRENT SWITCH WITH TERMS (M4, M5)      |
| 611 | 0130L00108     | OD Air Temp Sensor (M4, M5)             |
| NS  | B821700        | CAPACITOR BOOT (M4, M5)                 |
| NS  | 20520901       | CAPACITOR STRAP                         |
| NS  | 0130L00112     | Duct Temp Sensor (M4, M5)               |
| NS  | 0259L00178     | HARNESS, ECONOMIZER                     |
| NS  | 0130L00105     | PHASE MONITOR (M4, M5)                  |
| NS  | 0130L00107     | ROOM SENSOR (M4, M5)                    |
| NS  | 0259L00427     | WIRE ASSY (M4, M5)                      |
| NS  | 0259L00428     | WIRE ASSY (M4, M5)                      |
| NS  | 0259L00090     | WIRE HARNESS-SMOKE DETECTOR (M6)        |
| NS  | 0259L00054     | WIRING HARNESS                          |
| NS  | 0259L00061     | WIRING HARNESS                          |
| NS  | 0259L00064     | WIRING HARNESS                          |
| NS  | 0259L00065     | WIRING HARNESS                          |

**Expanded Model Nomenclature**

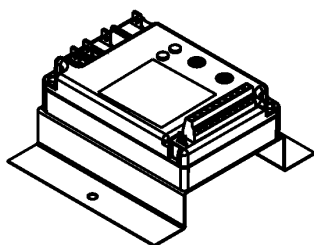
- |                       |
|-----------------------|
| M1 - DSC060XXX3HXXXAA |
| M2 - DSC060XXX4HAXAAA |
| M3 - DSC0600103HHDAAA |
| M4 - DSC0600157HRMXAA |
| M5 - DSC0600203HRBQAA |
| M6 - DSC0600204HHXDAA |

# Accessory Parts List

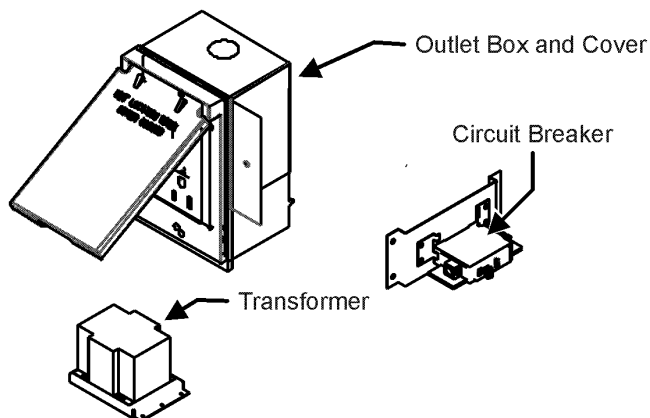
## ACCESSORY PARTS LIST

NOTE: NOT ALL OPTIONS AVAILABLE FOR ALL PRODUCTS

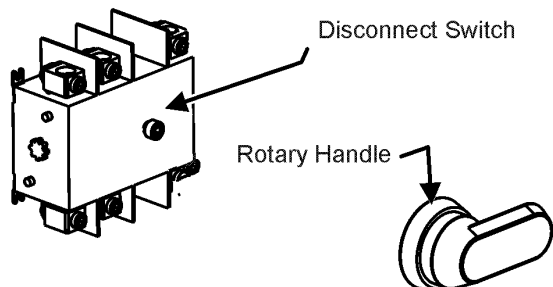
### 1 LOW AMBIENT KITS



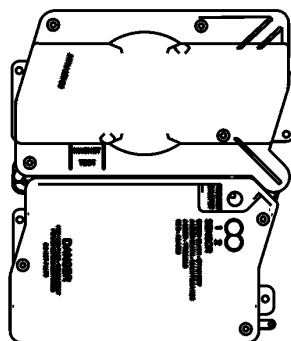
### 2 GFCI CONVENIENCE OUTLET



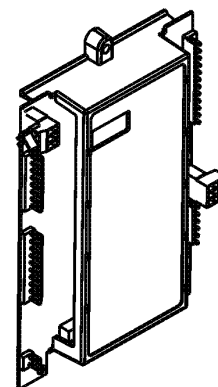
### 3 DISCONNECT MODULE (NON-FUSED)



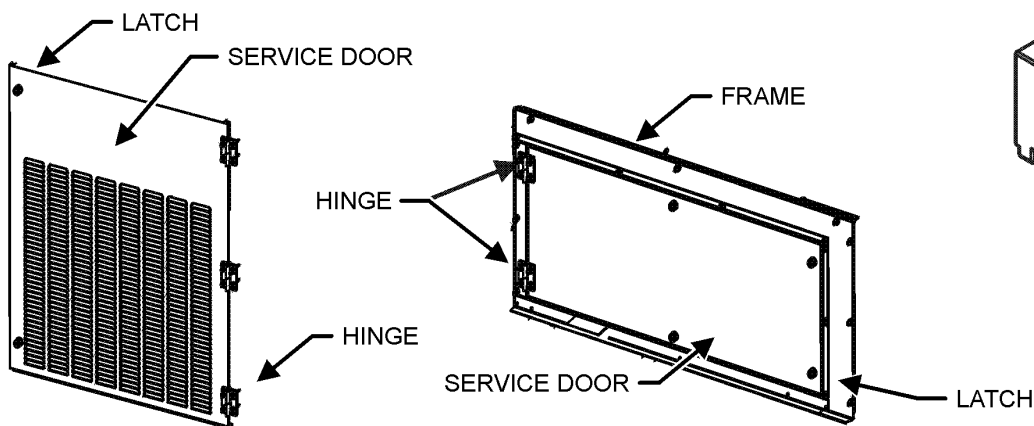
### 4 SMOKE DETECTORS



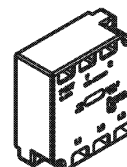
### 5 DDC CONTROL



### 6 HINGED DOOR ASSEMBLIES



### 7 PHASE MONITOR



# Accessory Parts List

| Ref. Part No:   | Ref. Part No: | Description:                               | Description: |
|-----------------|---------------|--|--------------|
| <b>Image 1:</b> |               |  |              |
| NS EHK3-10      |               | 10 KW 203-230/3 ELECTRIC EHAT (M3)         |              |
| NS EHK7-15      |               | 15 KW 575/3 ELECTRIC HEAT (M4)             |              |
| NS 1036609C     |               | 3-6 TON DFLOW ECONOMIZER (M2)              |              |
| NS 10366D09C    |               | 3-6 TON DFLOW ECONOMIZER, DDC (M4, M5)     |              |
| NS 0121L00316   |               | BRACKET-CONV OUTLET MOUNT (M2, M3, M5)     |              |
| NS 0121L00835   |               | BRACKET-DISCONNECT SWITCH (M3, M4, M5, M6) |              |
| NS 0121L01934   |               | BRACKET-SMOKE DETECTOR (M5, M6)            |              |
| NS 0130M00065   |               | CIRCUIT BREAKER, CONVENIENCE OUTLET (M5)   |              |
| NS 0121L00837NG |               | DISCONNECT COVER (M3, M4, M5, M6)          |              |
| NS EHK3-20      |               | ELECTRIC HEATER KIT (M5)                   |              |
| NS EHK4-20      |               | ELECTRIC HEATER KIT (M6)                   |              |
| NS 0130L00012   |               | GANG BOX-GFCI OUTLET (M2, M3, M5)          |              |
| NS 0130L00039   |               | HANDLE, ROTARY (M3, M4, M5, M6)            |              |
| NS 0163M00307   |               | HINGE, LEFT HAND (M3, M4)                  |              |
| NS 0163M00308   |               | HINGE, RIGHT HAND (M3, M4)                 |              |
| NS 0163M00360   |               | LATCH (M3, M4)                             |              |
| NS 0130M00058   |               | LOW AMBIENT KIT (M5)                       |              |
| NS 0121L02509NG |               | PNT, BLOWER FRAME (M3, M4)                 |              |
| NS 0161G00012   |               | POWER OUTLET BOX (M2, M3, M5)              |              |
| NS 0130L00103   |               | RECEPTACLE-GFCI OUTLET (M2, M3, M5)        |              |
| NS 0121L02527NG |               | SERVICE DOOR BACK , BLOWER (M3, M4)        |              |
| NS 0121L02526NG |               | SERVICE DOOR FRONT, BLOWER (M3, M4)        |              |
| NS 0130L00042   |               | SHAFT, CUT (M3, M4, M6)                    |              |
| NS 0130L00049   |               | SHAFT, DISCONNECT (M5)                     |              |
| NS D4120        |               | SMOKE DETECTOR, PHOTO 4WIRE (M5, M6)       |              |
| NS 0130L00027   |               | SWITCH-DISCONNECT 100A (M5)                |              |
| NS 0130L00046   |               | SWITCH-DISCONNECT 60A (M3, M4, M6)         |              |
| NS 0130M00061   |               | TRANSFORMER , CONVENIENCE OUTLET (M5)      |              |

## Expanded Model Nomenclature

- |                       |
|-----------------------|
| M1 - DSC060XXX3HXXXAA |
| M2 - DSC060XXX4HAXAAA |
| M3 - DSC0600103HHDAAA |
| M4 - DSC0600157HRMXAA |
| M5 - DSC0600203HRBQAA |
| M6 - DSC0600204HHXDAA |