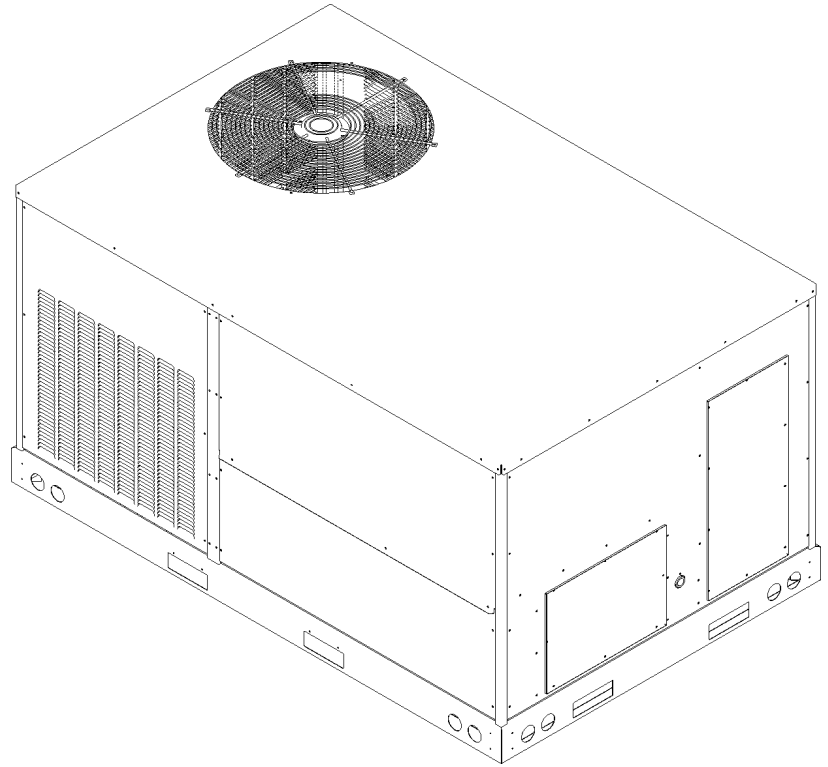


Commercial 5 Ton Direct Drive Package Cooling Units

DSC060XXX1DXXXAA

DSC060XXX3DXXXAA



This manual is to be used by qualified technicians only.

© 2016 **DAIKIN COMPANY, L.P.** ♦ 5151 San Felipe St., Suite 500 ♦ Houston, TX 77056

Important Information

Index

Functional Parts List	3
Illustration and Parts	4 - 11

Views shown are for parts illustrations only, not servicing procedures

Text Codes:

AR - As Required

NA - Not Available

NS - Not Shown

00000000 - See Note

QTY - Quantity Example (QTY 3) (If Quantity not shown, Quantity = 1)

M - Model Example (M1) (If M Code not shown, then part is used on all Models)

Expanded Model Nomenclature:

Example M1 - Model#1 M2 - Model#2 M3 - Model#3

Daikin Company, L.P. is not responsible for personal injury or property damage resulting from improper service. Review all service information before beginning repairs.

Warranty service must be performed by an authorized technician, using authorized factory parts. If service is required after the warranty expires, Daikin Company, L.P. also recommends contacting an authorized technician and using authorized factory parts.

Daikin Company, L.P. reserves the right to discontinue, or change at any time, specifications or designs without notice or without incurring obligations.

For assistance within the U.S.A. contact:

Homeowner Support
Daikin North America, LLC
19001 Kermier Road
Waller, Texas 77484
855-770-5678-Telephone
713-863-2382-Facsimile

For assistance outside the U.S.A. contact:

International Division
Daikin North America, LLC
19001 Kermier Road
Waller, Texas 77484
713-861-2500-Telephone
713-863-2382-Facsimile

Functional Parts

Part

No: Description:

B1368000	BLOWER WHEEL 11 X 10
CAP100700440CT	CAP, 10/70 MFD/ 440V/ DUAL RD (M1)
CAP100000370LA	CAPACITOR 10/370V (M2)
ZP51K5EPFV130	COMPRESSOR 51000, 208/230/60/1 (M1)
ZP51K5ETF5130	COMPRESSOR 51000, 208/230/60/3 (M2)
CONT3P030024V	CONTACTOR 30 AMP, 3P, 24V (M2)
CONT2P040024V	CONTACTOR 40 AMP, 2P, 24V (M1)
0130M00074	CUT-OUT SWITCH, HIGH PRESSURE
0130M00087	CUT-OUT SWITCH, LOW PRESSURE
0150G00004	FAN BLADE
0131M00801	MOTOR, 1/4 HP, OD
0131M00831	MOTOR, 1H.P. PROGRAMMED X-13
0130M00138	TRANSFORMER 208/230, 24V

Expanded Model Nomenclature

M1 - DSC060XXX1DXXXAA

M2 - DSC060XXX3DXXXAA

Top Panel / Compressor / Tubing Assy

IMAGE 1

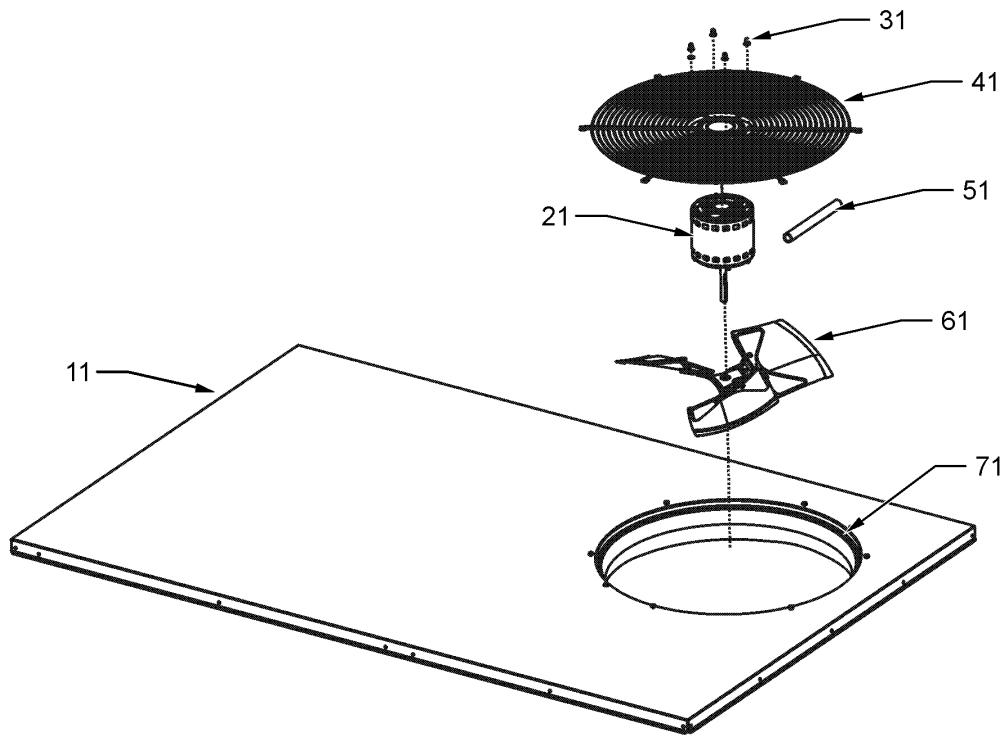
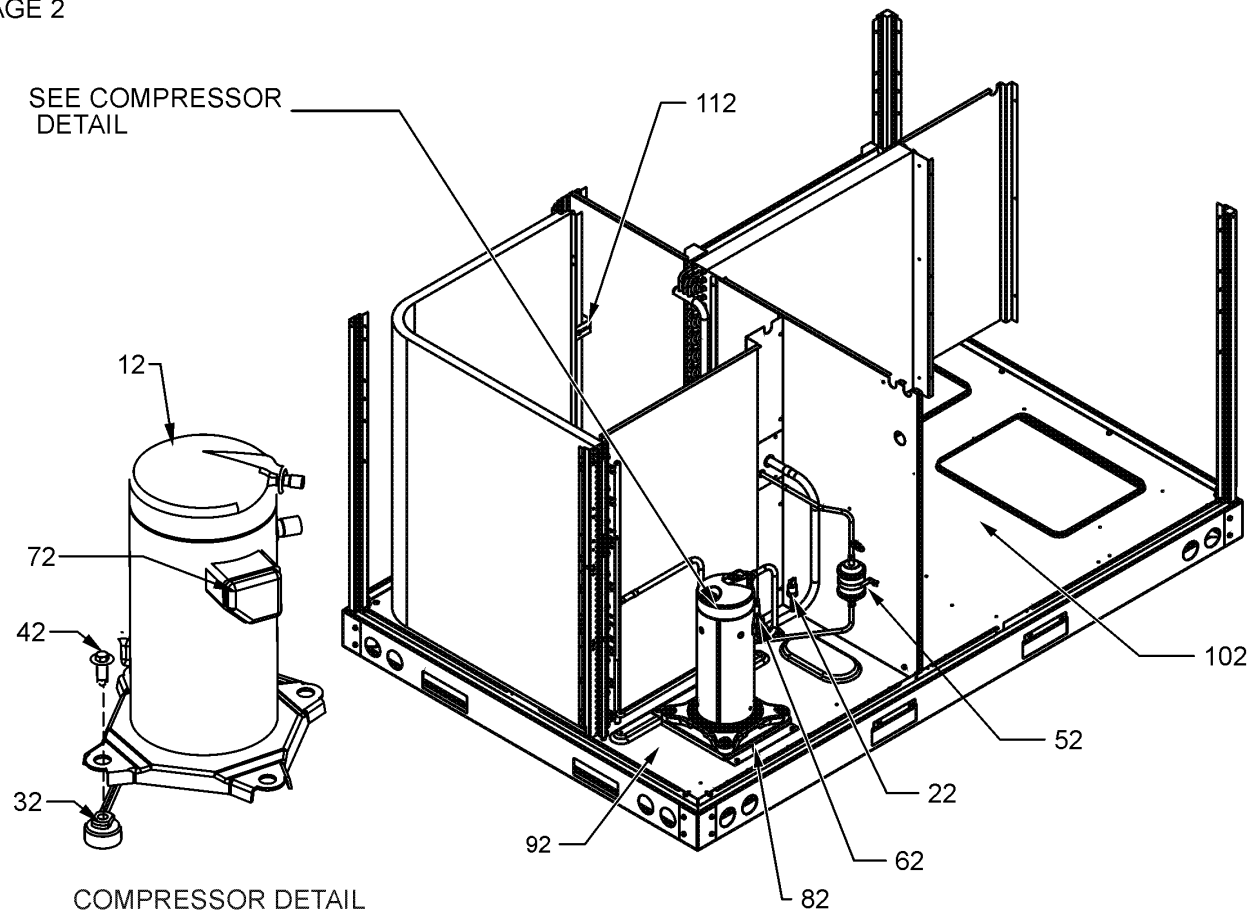


IMAGE 2



Top Panel / Compressor / Tubing Assy

Ref. Part No: No:	Description:	Ref. Part No: No:	Description:
-------------------	--------------	-------------------	--------------

Image 1:

11	0121L00235NG	TOP PANEL
21	0131M00801	MOTOR, 1/4 HP, OD
31	0163M00006P	ACORN NUT 5/16 HEX BLACK (QTY 4)
41	0152G00000	FAN GRILLE, RAISED
51	17788000083F	PVC CONDUIT 8.25"
61	0150G00004	FAN BLADE
71	0161L00000	VENTURI RING 22"
NS	0163M00004	SCREW #10X3/4", BLACK (QTY 3)
NS	0163M00005P	WASHER, BLACK (.50 OD .218ID) (QTY 4)

Image 2:

12	ZP51K5EPFV130	COMPRESSOR 51000, 208/230/60/1 (M1)
12	ZP51K5ETF5130	COMPRESSOR 51000, 208/230/60/3 (M2)
22	0130M00087	CUT-OUT SWITCH, LOW PRESSURE
32	B1339533	COMPRESSOR GROMMET (QTY 4)
42	M0221641	TF SHOULDER SCREW (QTY 4)
52	0162R00009	FILTER DRIER
62	0130M00074	CUT-OUT SWITCH, HIGH PRESSURE
72	0159L00027	COMPRESSOR SCROLL HARNESS (M1)
72	0159L00065	COMPRESSOR SCROLL HARNESS (M2)
82	0121L00310	COMPRESSOR MOUNTING PLATE
92	0121L01307	BASE PAN-OUTDOOR
102	0121L00943	BASE PAN-INDOOR
112	0121L00936	BRACKET-HAIRPIN END
NS	B1373315	ACCESS FITTING (QTY 2)

Expanded Model Nomenclature

M1 - DSC060XXX1DXXXAA

M2 - DSC060XXX3DXXXAA

Cabinet Assembly

IMAGE 1

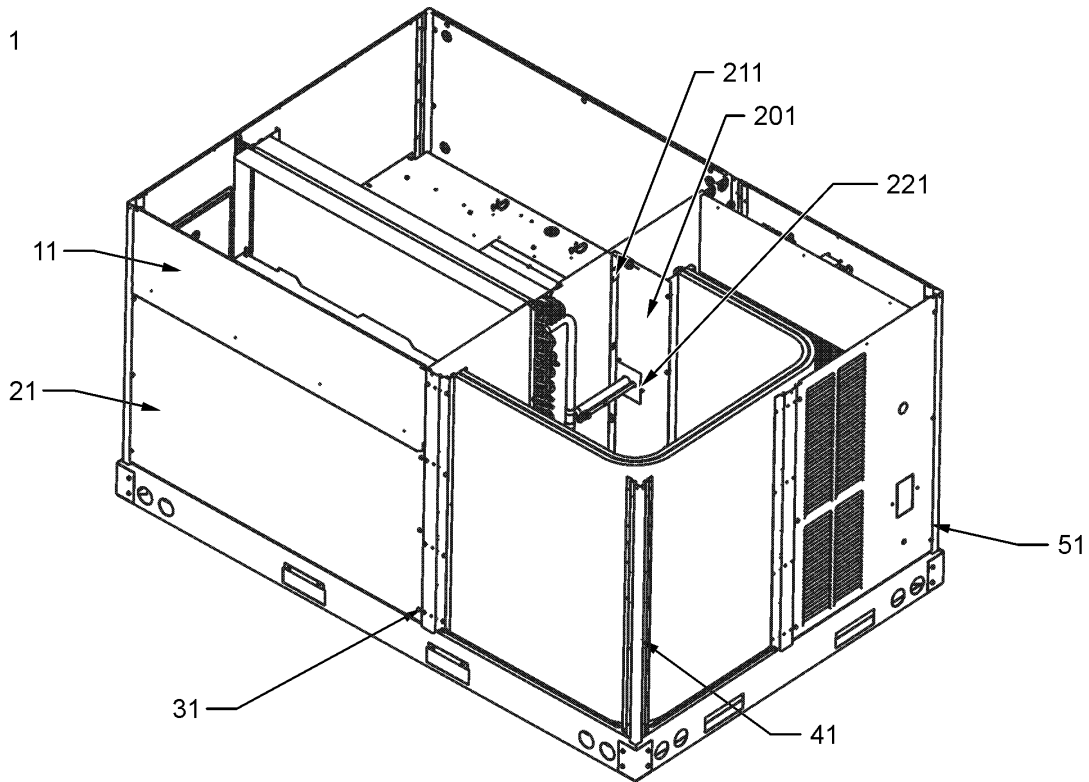
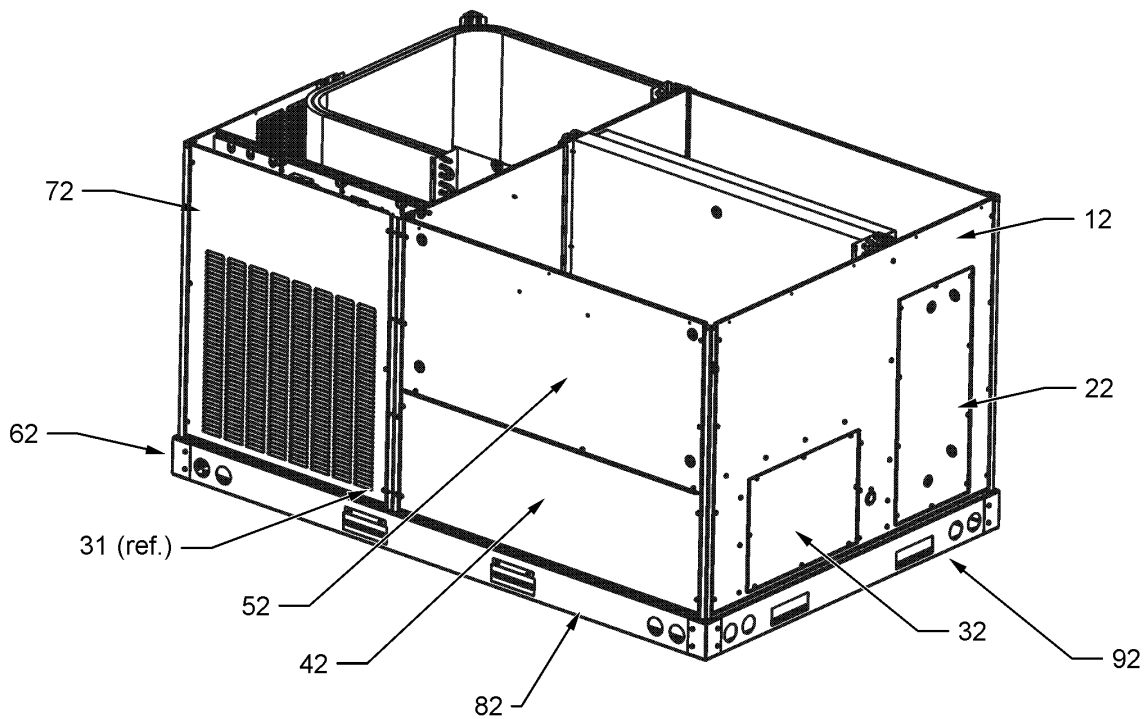


IMAGE 2



Cabinet Assembly

Ref. Part No: No:	Description:	Ref. Part No: No:	Description:
------------------------------	---------------------	------------------------------	---------------------

Image 1:

11	0270L00362NG	FILTER DOOR
21	0121L00976NG	ECONOMIZER DOOR
31	0121L00233RFNG	POST-SIDE SUPPORT (QTY 2)
31	0121L01159RFNG	POST-SIDE SUPPORT
41	0121L00237RFNG	CORNER POST (QTY 4)
51	0121L00263NG	LOUVERED COMPRESSOR PANEL
201	0121L00882	BLOCKOFF-CONDENSER
211	0121L00254	COND MOUNTING ANGLE
221	0121L00939	CONDENSER BLOCKOFF PLATE
NS	0164L00009	GASKET-RUBBER, CPOST (QTY 3)
NS	0164L00011	GASKET-RUBBER, SIDE POST (QTY 2)

Image 2:

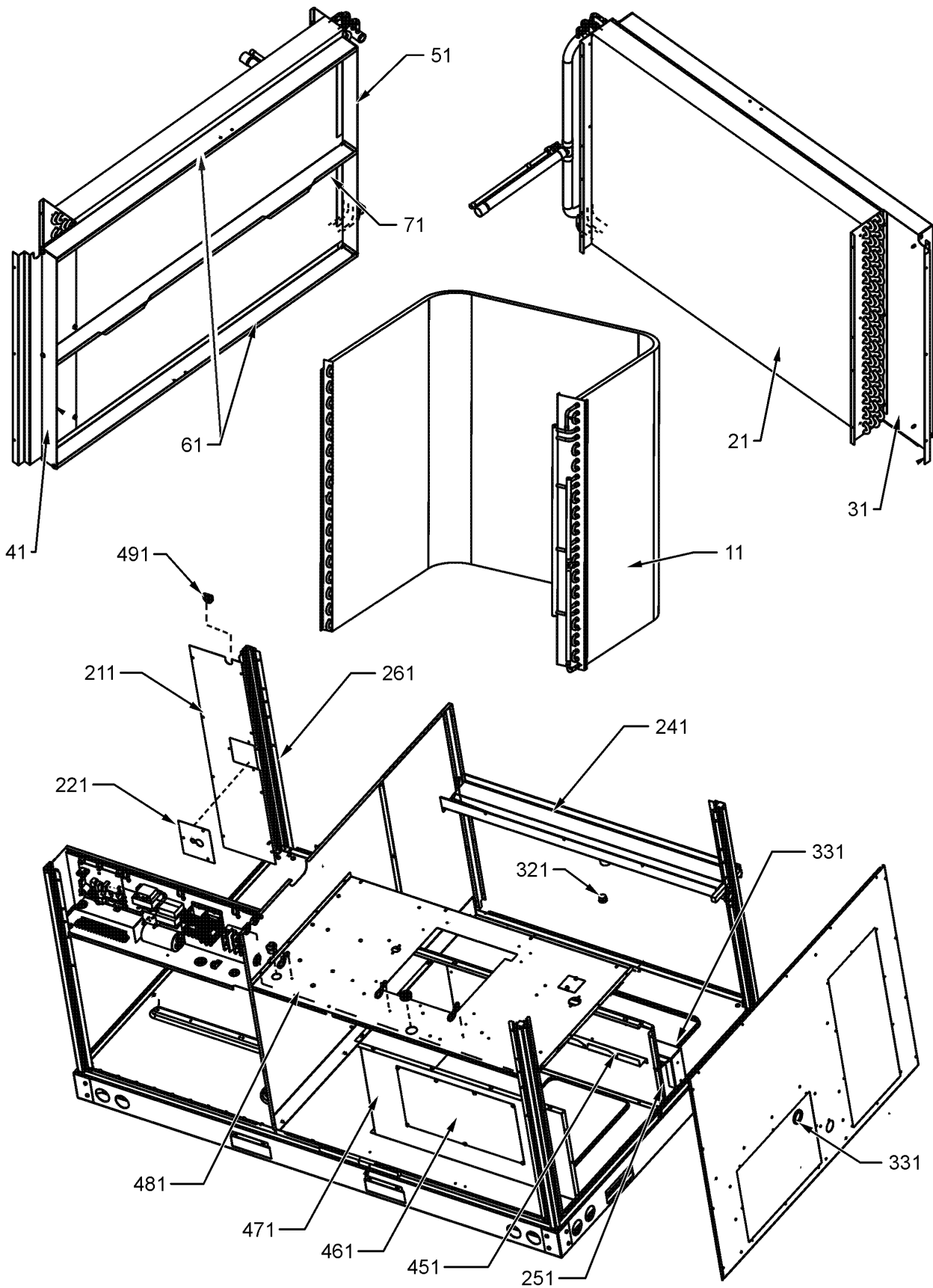
12	0121L00236NG	DUCT PANEL
22	0121L00023NG	RETURN DUCT COVER
32	0121L00024NG	SUPPLY DUCT COVER
42	0121L01176NG	ELECTRIC HEAT DOOR
52	0121L01157NG	BLOWER DOOR
62	0121G00301	RAIL CORNER BRACKET (QTY 4)
72	0121L01121NG	LOUVERED CONTROL PANEL
82	0121L00244RF	SIDE RAIL (QTY 2)
92	0121L00245	END RAIL (QTY 2)
NS	0141L00003X	FORK BOARD (QTY 2)
NS	0121L00055	FORK BOARD BRACKET (QTY 4)

Expanded Model Nomenclature

M1 - DSC060XXX1DXXXAA

M2 - DSC060XXX3DXXXAA

Partition / Condenser / Evaporator Assy



Partition / Condenser / Evaporator Assy

Ref. Part No: No:	Description:	Ref. Part No: No:	Description:
Image 1:			
11	0201L00141		TUBING ASSY, COND COIL
21	0202L00020		TUBING ASSY, EVAP COIL
31	0121L00252		BLOCKOFF-EVAPORATOR
41	0121L00303		FILTER ANGLE-VERTICAL (HAIRPIN SIDE)
51	0121L00287		FILTER ANGLE-VERTICAL (RETURN SIDE)
61	0121L00932		FILTER ANGLE-HORIZONTAL (QTY 2)
71	0121L01255		ANGLE-FILTER CENTER
211	0121L00882		BLOCKOFF-CONDENSER
221	0121L00939		CONDENSER BLOCKOFF PLATE
231	0121L00238		DRAIN PAN SUPPORT
241	0161L00005		DRAIN PAN
251	0121L00243		DECK SIDE CHANNEL
261	0121L00254		COND MOUNTING ANGLE
321	0163L00071		DRAIN PLUG
331	0154L00009		DRAIN PAN GASKET
451	0121L00288		ELECTRIC HEAT RETAINER
461	0121L00144		ELECTRIC HEAT COVER
471	0121L00256		ELECTRIC HEAT PANEL
481	0121L01442		BLOWER DECK
491	A4568804		GROMMET-D (QTY 4)
NS	0160L00173		AIR FILTER 14 X 20 X 2 (QTY 4)
NS	0121L00321		SMOKE DETECTOR COVER

Expanded Model Nomenclature

M1 - DSC060XXX1DXXXAA

M2 - DSC060XXX3DXXXAA

Blower Drive / Control Box Assembly

IMAGE 1

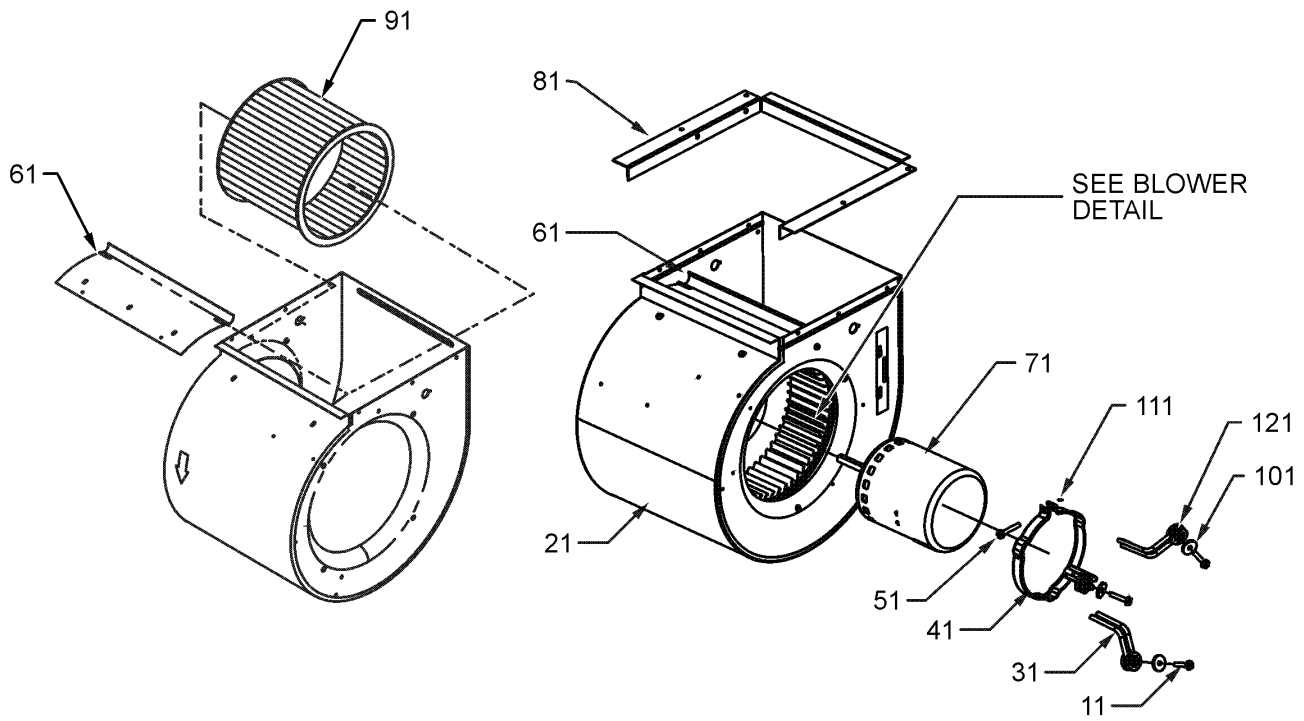
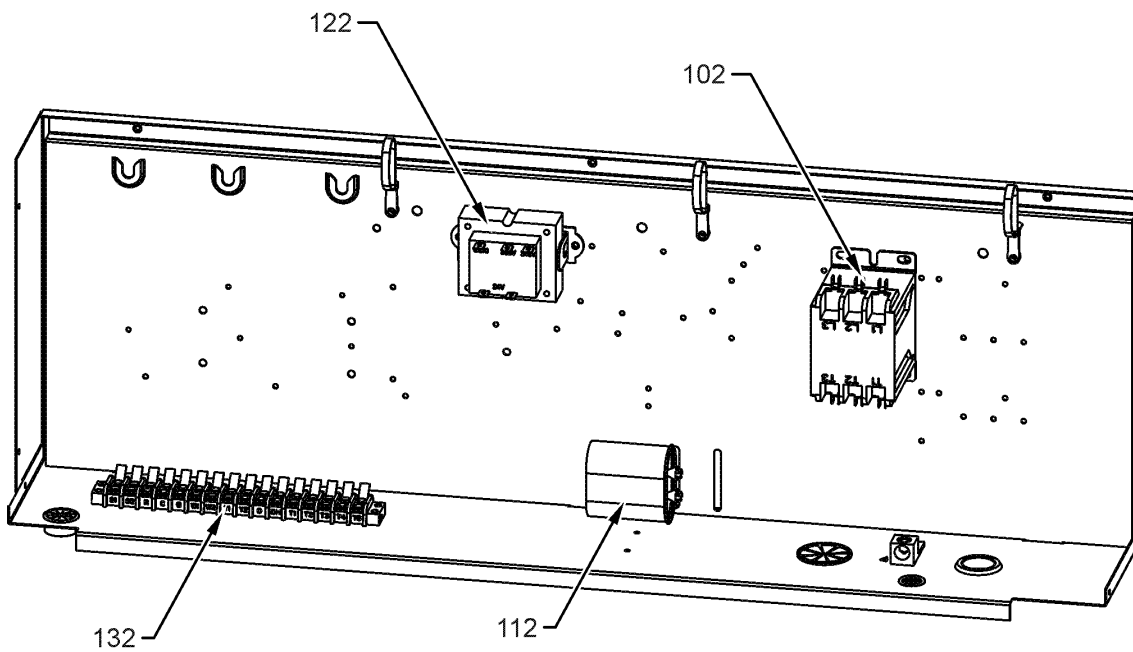


IMAGE 2



Blower Drive / Control Box Assembly

Ref. Part No: No:	Description:	Ref. Part No: No:	Description:
-------------------	--------------	-------------------	--------------

Image 1:

11	M0221461	TC SCREW (QTY 4)
21	11185811	BLOWER HOUSING 11 X 10
31	10441501	MOTOR MOUNT ARM (QTY 4)
41	10441601	MOTOR MOUNT BAND
51	M0267144	MACHINE SCREW
61	C6121807	BLOWER CUT-OFF
71	0131M00831	MOTOR, 1H.P. PROGRAMMED X-13
81	0121L00281	BLOWER MOUNTING ANGLE
91	B1368000	BLOWER WHEEL 11 X 10
101	B1392918	WASHER, FLAT 1/4 ID X 1 OD (QTY 4)
111	M0282015	KEPS NUT
121	A4002702	BLOWER MOTOR GROMMET (QTY 4)
NS	B1392820	WASHER, SPLIT LOCK 1/4BZ (QTY 4)

Image 2:

102	CONT3P030024V	CONTACTOR 30 AMP, 3P, 24V (M2)
102	CONT2P040024V	CONTACTOR 40 AMP, 2P, 24V (M1)
112	CAP100700440CT	CAP, 10/70 MFD/ 440V/ DUAL RD (M1)
112	CAP100000370LA	CAPACITOR 10/370V (M2)
122	0130M00138	TRANSFORMER 208/230, 24V
132	0130M00038	TERMINAL BOARD
NS	0130M00127	MOTOR POWER HARNESS
NS	0259L00054	WIRING HARNESS
NS	0259L00058	WIRING HARNESS
NS	0259L00059	WIRING HARNESS
NS	0130M00126	X-13 LOW VOLTAGE WIRE HARN

Expanded Model Nomenclature

M1 - DSC060XXX1DXXXAA

M2 - DSC060XXX3DXXXAA