

Commercial 4 Ton Belt Drive Package Cooling Unit

DSC0480153BHDAA
DSC0480153BHAAA
DSC0480154BVXAAA
DSC048XXX3BVBCAA
DSC048XXX3BVXBAA
DSC048XXX3BXDXAA
DSC048XXX3BXXXAA
DSC048XXX4BXDCAA
DSC048XXX4BXXXAA
DSC048XXX7BXXFAA
DSC048XXX7BXXXAA



This manual is to be used by qualified technicians only.

This manual replaces RP-D1111F.

Important Information

Index

Functional Parts List	3
Illustration and Parts	4 - 13

Views shown are for parts illustrations only, not servicing procedures

Text Codes:

AR - As Required

NA - Not Available

NS - Not Shown

00000000 - See Note

QTY - Quantity Example (QTY 3) (If Quantity not shown, Quantity = 1)

M - Model Example (M1) (If M Code not shown, then part is used on all Models)

Expanded Model Nomenclature:

Example M1 - Model#1 M2 - Model#2 M3 - Model#3

Daikin Company, L.P. is not responsible for personal injury or property damage resulting from improper service. Review all service information before beginning repairs.

Warranty service must be performed by an authorized technician, using authorized factory parts. If service is required after the warranty expires, Daikin Company, L.P. also recommends contacting an authorized technician and using authorized factory parts.

Daikin Company, L.P. reserves the right to discontinue, or change at any time, specifications or designs without notice or without incurring obligations.

For assistance within the U.S.A. contact:

Equipment Support
Daikin North America, LLC
19001 Kermier Road
Waller, Texas 77484
855-770-5678-Telephone
713-863-2382-Facsimile

For assistance outside the U.S.A. contact:

International Division
Daikin North America, LLC
19001 Kermier Road
Waller, Texas 77484
713-861-2500-Telephone
713-863-2382-Facsimile

Functional Parts

Part

No: Description:

B1368056	BELT DRIVE BLOWER WHEEL
0131L00003	BELT DRIVE MOTOR 1 HP (M1, M2, M3, M4, M5, M6, M9, M10, M11)
0131L00004	BELT DRIVE MOTOR 1.5 HP 575V (M7, M8)
CAP075000440LA	CAP 7.5 MFD/440V/OVAL (M6, M11)
CAP030000440LA	CAPACITOR 3/440V (M8)
CAP050000370LA	CAPACITOR 5/370V (M5, M7)
CAP050000440LA	CAPACITOR 5/440V (M1, M2, M3, M4, M9, M10)
ZP39K5ETF5130	COMPRESSOR 39000, 200/230/60/3 (M1, M2, M3, M4, M9, M10)
ZP39K5ETFD130	COMPRESSOR 39000, 460/60/3 (M5, M6, M11)
ZP39K5ETFE130	COMPRESSOR 39000, 575/60/3 (M7, M8)
0131M00431	COND MOTOR 575V (M8)
CONT3P025024V	CONTACTOR 25 AMP, 3P, 24V (M5, M6, M7, M8, M11)
CONT3P030024V	CONTACTOR 30 AMP, 3P, 24V (M1, M2, M3, M4, M9, M10)
0130M00074	CUT-OUT SWITCH, HIGH PRESSURE
0130M00087	CUT-OUT SWITCH, LOW PRESSURE
PCBFM103	ELECTRONIC BLOWER TIME DELAY
0164L00010	FAN BELT, NOTCHED
0150G00004	FAN BLADE
0131M00857	MOTOR, 380/460 50/60 HZ (M6, M11)
0131L00062	Motor, Cond, 1/4 HP, 460V (M5)
0131L00063	Motor, Cond, 1/4 HP, 575V (M7)
0130M00038	TERMINAL BOARD
0130M00138	TRANSFORMER 208/230, 24V (M1, M2, M3, M4, M9, M10)
0130M00595	TRANSFORMER, 75VA, 480V TO 24V (M5, M6, M11)
0130M00598	TRANSFORMER, 75VA, 575V TO 24V (M7, M8)

Expanded Model Nomenclature

- | |
|------------------------|
| M1 - DSC048XXX3BVBCAA |
| M2 - DSC048XXX3BVXBAA |
| M3 - DSC048XXX3BXDXAA |
| M4 - DSC048XXX3BXXXAA |
| M5 - DSC048XXX4BXDCAA |
| M6 - DSC048XXX4BXXXAA |
| M7 - DSC048XXX7BXXFAA |
| M8 - DSC048XXX7BXXXAA |
| M9 - DSC0480153BHDXAA |
| M10 - DSC0480153BHXAAA |
| M11 - DSC0480154BVXAAA |

Top Panel and Tubing Assembly

IMAGE 1

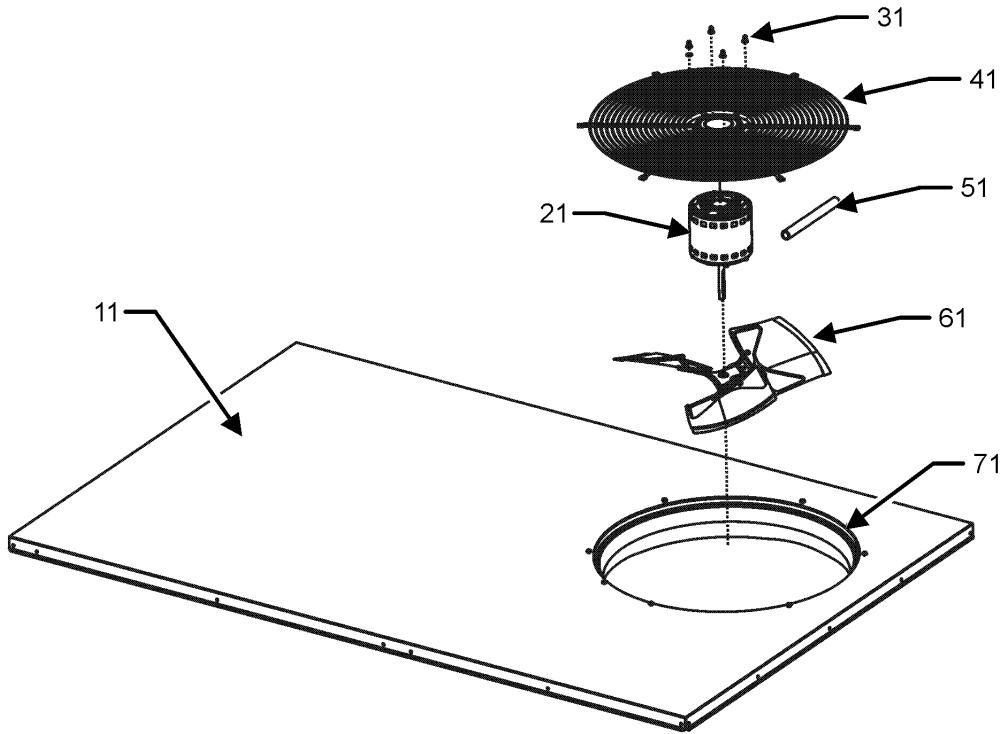
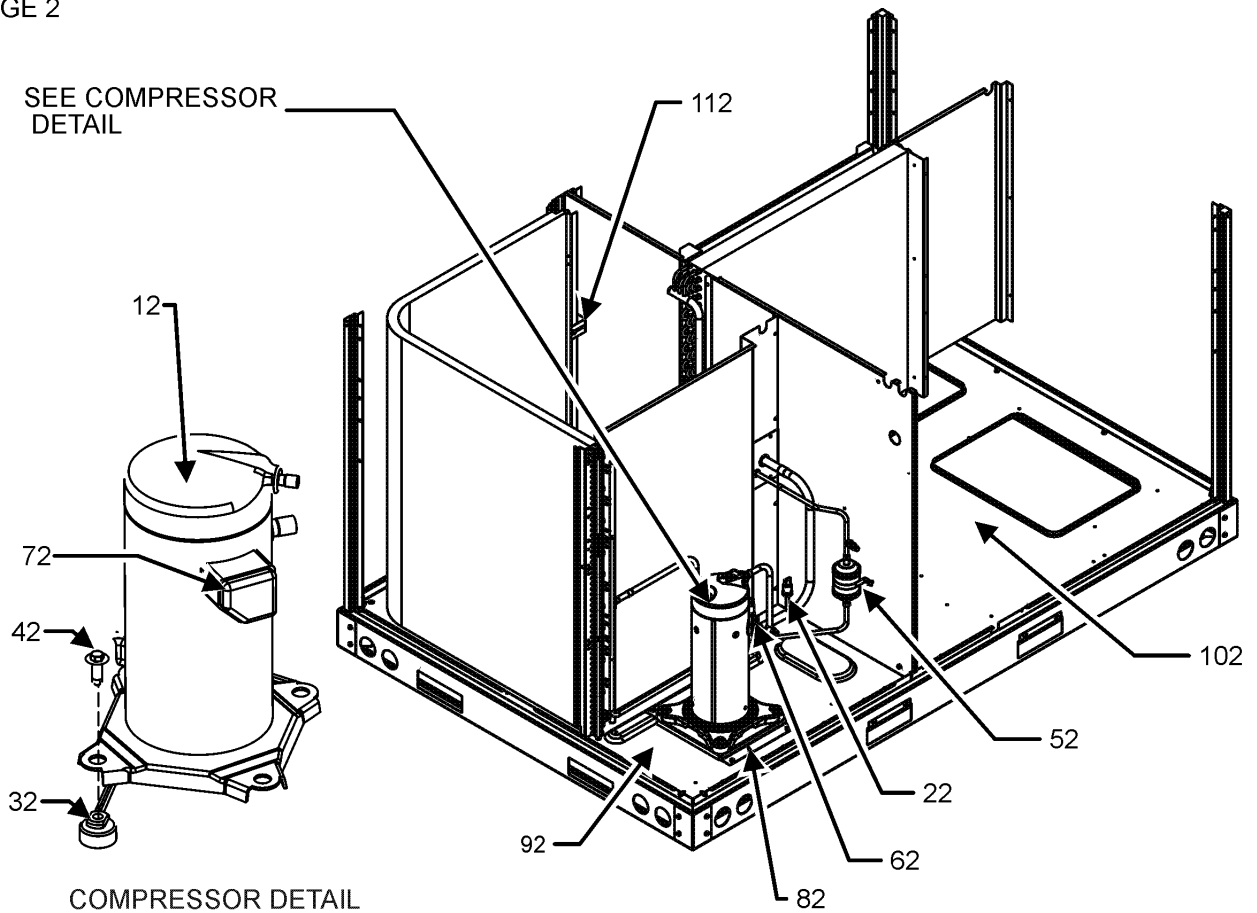


IMAGE 2



Top Panel and Tubing Assembly

Ref. Part No: No:	Description:	Ref. Part No: No:	Description:
-------------------	--------------	-------------------	--------------

Image 1:

11	0121L00235NG	TOP PANEL
21	0131M00431	COND MOTOR 575V (M8)
21	0131M00847	MOTOR, 1/4 HP, 1 SP, 6 PL (M2, M3, M4, M9, M10)
21	0131L00061	MOTOR, 1/4 HP, 1SP, 6PL (M1)
21	0131M00857	MOTOR, 380/460 50/60 HZ (M6, M11)
21	0131L00062	Motor, Cond, 1/4 HP, 460V (M5)
21	0131L00063	Motor, Cond, 1/4 HP, 575V (M7)
31	0163M00006P	ACORN NUT 5/16 HEX BLACK (QTY 4)
41	0152G00000	FAN GRILLE, RAISED (M1, M5, M7)
41	0152G00003	GRILLE-FAN (M2, M3, M4, M6, M8, M9, M10, M11)
51	0161R00003P	CONDUIT
61	0150G00004	FAN BLADE
71	0161L00000	VENTURI RING 22"
NS	0163M00004	SCREW #10X3/4", BLACK (QTY 8)
NS	0163M00005P	WASHER, BLACK (.50 OD .218ID) (QTY 4)

Image 2:

12	ZP39K5ETF5130	COMPRESSOR 39000, 200/230/60/3 (M1, M2, M3, M4, M9, M10)
12	ZP39K5ETFD130	COMPRESSOR 39000, 460/60/3 (M5, M6, M11)
12	ZP39K5ETFE130	COMPRESSOR 39000, 575/60/3 (M7, M8)
22	0130M00087	CUT-OUT SWITCH, LOW PRESSURE
32	B1339533	COMPRESSOR GROMMET (QTY 4)
42	M0221641	TF SHOULDER SCREW (QTY 4)
52	0162R00009	FILTER DRIER
62	0130M00074	CUT-OUT SWITCH, HIGH PRESSURE
72	0159L00065	COMPRESSOR SCROLL HARNESS
82	0121L00310	COMPRESSOR MOUNTING PLATE
92	0121L01990	BASE PAN, OUTDOOR
102	0121L02619	BASE PAN-INDOOR
112	0121L00936	BRACKET-HAIRPIN END
NS	B1373315	ACCESS FITTING (QTY 2)
NS	0141L00003X	FORK BOARD (QTY 2)
NS	0121L00055	FORK BOARD BRACKET (QTY 4)

Expanded Model Nomenclature

M1 - DSC048XXX3BVBCAA
M2 - DSC048XXX3BVXBAA
M3 - DSC048XXX3BXDXAA
M4 - DSC048XXX3BXXXAA
M5 - DSC048XXX4BXDCAA
M6 - DSC048XXX4BXXXAA
M7 - DSC048XXX7BXXFAA
M8 - DSC048XXX7BXXXAA
M9 - DSC0480153BHDAAA
M10 - DSC0480153BHAAAA
M11 - DSC0480154BVXAAA

Cabinet Assembly

IMAGE 1

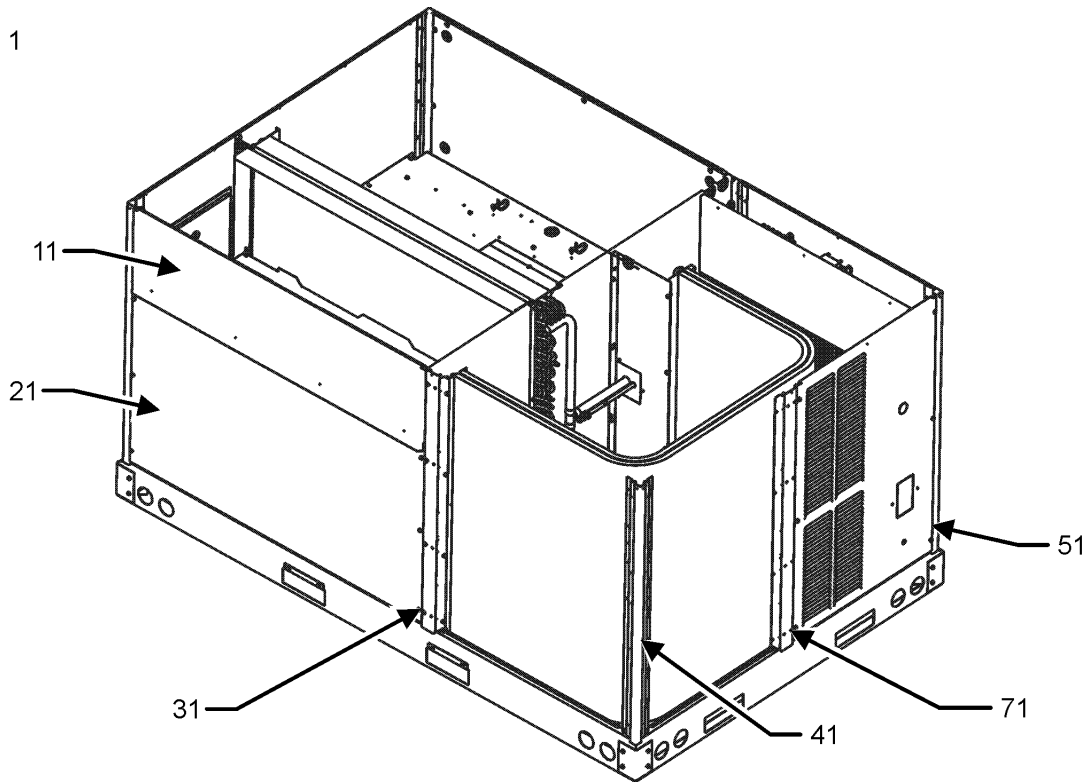
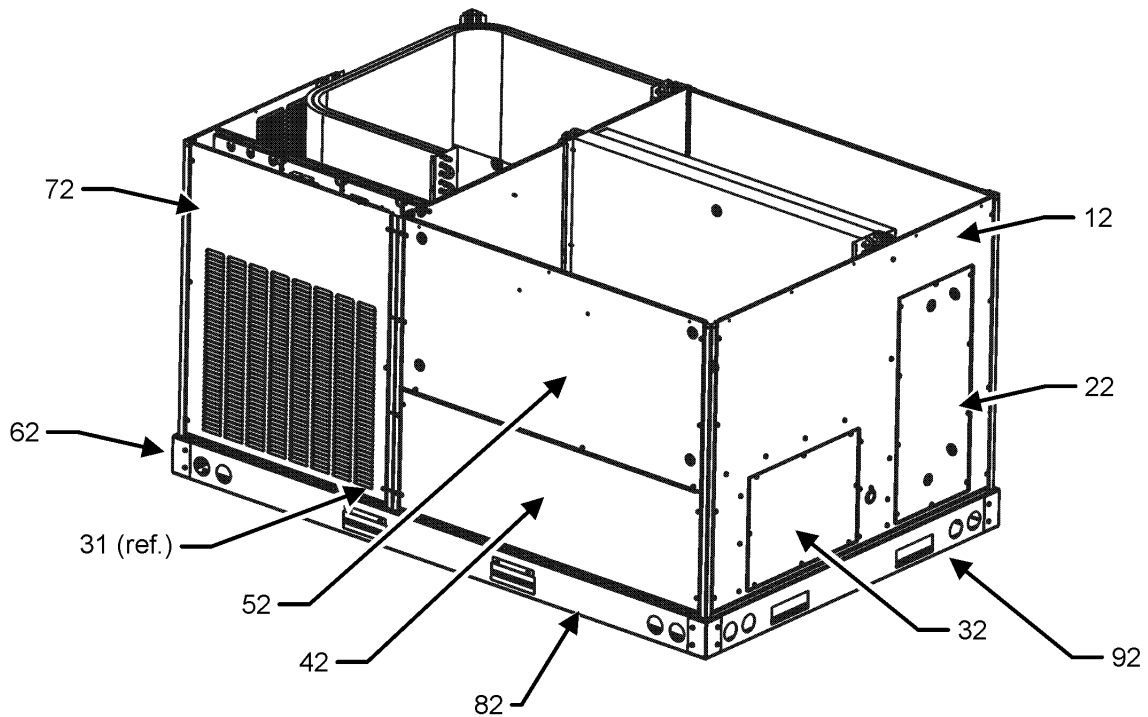


IMAGE 2



Cabinet Assembly

Ref. Part No:	Part No:	Description:	Ref. Part No:	Part No:	Description:
---------------	----------	--------------	---------------	----------	--------------

Image 1:

11	0270L00362NG	FILTER DOOR			
21	0121L00976NG	ECONOMIZER DOOR			
31	0121L00233RFNG	POST-SIDE SUPPORT (QTY 2)			
41	0121L00237RFNG	CORNER POST (QTY 4)			
41	0121L02553RFNG	ROLL FORMED, CORNER POST (M3, M5, M9)			
51	0121L00263NG	LOUVERED COMPRESSOR PANEL (M1, M2, M3, M4, M5, M6, M7, M8, M11)			
51	0121L00836NG	LOUVERED COMPRESSOR PANEL (M9, M10)			
71	0121L01374RFNG	PNT, RL FMD SIDE POST SUPPORT (M3, M5, M9)			
71	0121L01159RFNG	POST-SIDE SUPPORT (M1, M2, M4, M6, M7, M8, M10, M11)			
NS	0121L02655	END RAIL			
NS	0164L00009	GASKET-RUBBER, CPOST (QTY 3)			
NS	0164L00011	GASKET-RUBBER, SIDE POST (QTY 2)			

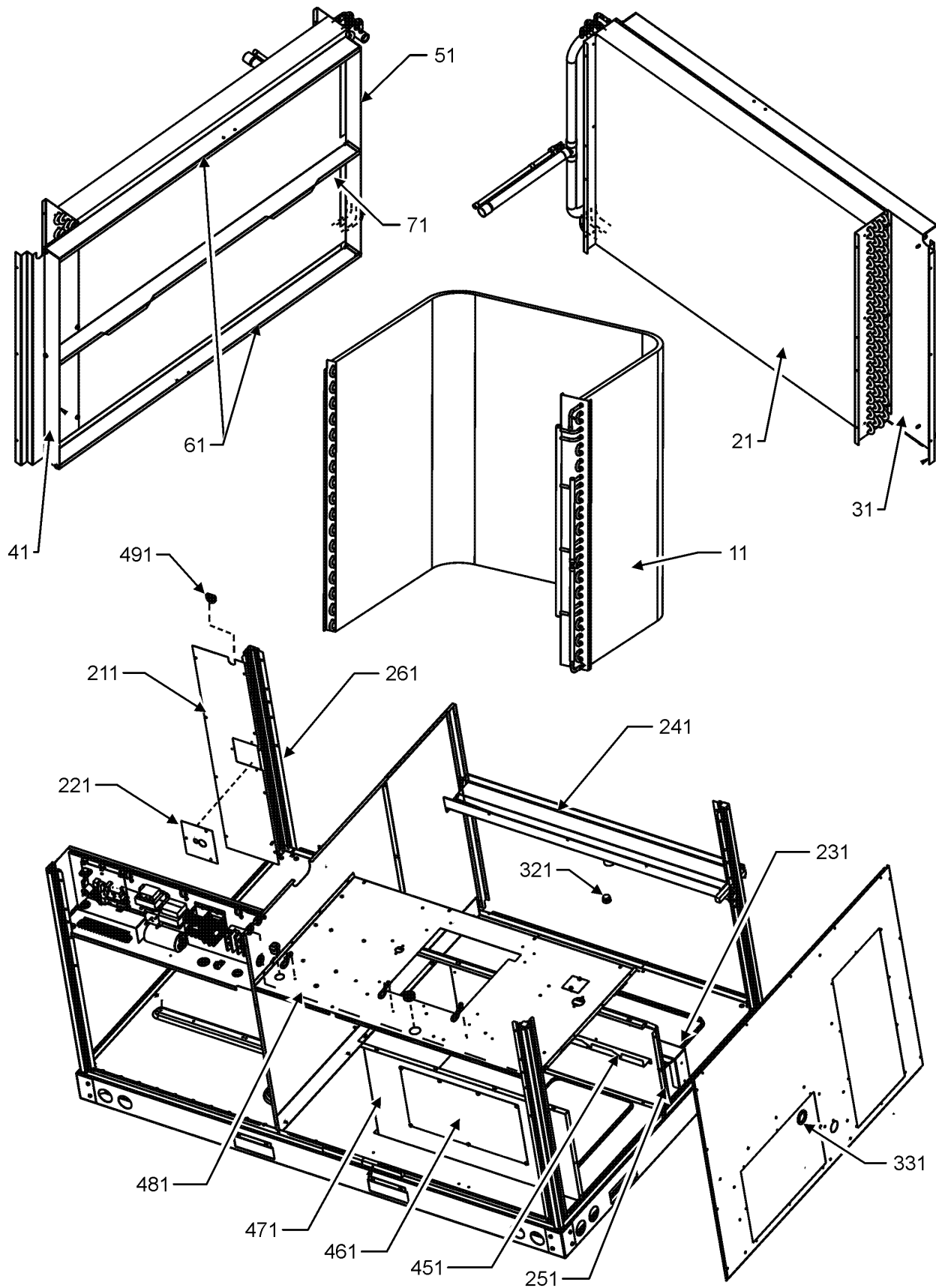
Image 2:

12	0121L00236NG	DUCT PANEL			
22	0121L00023NG	RETURN DUCT COVER			
32	0121L00024NG	SUPPLY DUCT COVER			
42	0121L01176NG	ELECTRIC HEAT DOOR			
52	0121L01157NG	BLOWER DOOR			
62	0121G00301	RAIL CORNER BRACKET (QTY 4)			
72	0121L01121NG	LOUVERED CONTROL PANEL			
82	0121L00244RF	SIDE RAIL (QTY 2)			
92	0121L00245	END RAIL			

Expanded Model Nomenclature

M1 - DSC048XXX3BVBCAA
M2 - DSC048XXX3BVXBAA
M3 - DSC048XXX3BXDXAA
M4 - DSC048XXX3BXXXAA
M5 - DSC048XXX4BXDCAA
M6 - DSC048XXX4BXXXAA
M7 - DSC048XXX7BXXFAA
M8 - DSC048XXX7BXXXAA
M9 - DSC0480153BHDXAA
M10 - DSC0480153BHAXAA
M11 - DSC0480154BVXAAA

Partition, Condenser and Evaporator Assy



Partition, Condenser and Evaporator Assy

Ref. Part No:	Part No:	Description:	Ref. Part No:	Part No:	Description:
---------------	----------	--------------	---------------	----------	--------------

Image 1:

11	0201L00141	TUBING ASSY, COND COIL
21	0202L00163	EVAP COIL TUBING ASSY
31	0121L00252	BLOCKOFF-EVAPORATOR
41	0121L00303	FILTER ANGLE-VERTICAL (HAIRPIN SIDE)
51	0121L00287	FILTER ANGLE-VERTICAL (RETURN SIDE)
61	0121L00932	FILTER ANGLE-HORIZONTAL (QTY 2)
71	0121L01255	ANGLE-FILTER CENTER
211	0121L00882	BLOCKOFF-CONDENSER
221	0121L00939	CONDENSER BLOCKOFF PLATE
231	0121L00238	DRAIN PAN SUPPORT
241	0161L00005	DRAIN PAN
251	0121L02123	CHANNEL-DECK SIDE
261	0121L00254	COND MOUNTING ANGLE
321	0163L00071	DRAIN PLUG
331	0154L00009	DRAIN PAN GASKET
451	0121L00288	ELECTRIC HEAT RETAINER
461	0121L00144	ELECTRIC HEAT COVER
471	0121L00256	ELECTRIC HEAT PANEL
481	0121L01575	BLOWER DECK
491	A4568804	GROMMET-D (QTY 4)
NS	0160L00173	AIR FILTER 14 X 20 X 2 (QTY 4)
NS	0121L01377	BLOWER DECK SUPPORT (M3, M5, M9)
NS	0121L00321	SMOKE DETECTOR COVER

Expanded Model Nomenclature

- | |
|------------------------|
| M1 - DSC048XXX3BVBCAA |
| M2 - DSC048XXX3BVXBAA |
| M3 - DSC048XXX3BXDXAA |
| M4 - DSC048XXX3BXXXAA |
| M5 - DSC048XXX4BXDCAA |
| M6 - DSC048XXX4BXXXAA |
| M7 - DSC048XXX7BXXFAA |
| M8 - DSC048XXX7BXXXAA |
| M9 - DSC0480153BHDCAA |
| M10 - DSC0480153BHXAAA |
| M11 - DSC0480154BVXAAA |

Belt Drive and Control Box Assembly

IMAGE 1

BLOWER HOUSING AND MOTOR ASSEMBLY

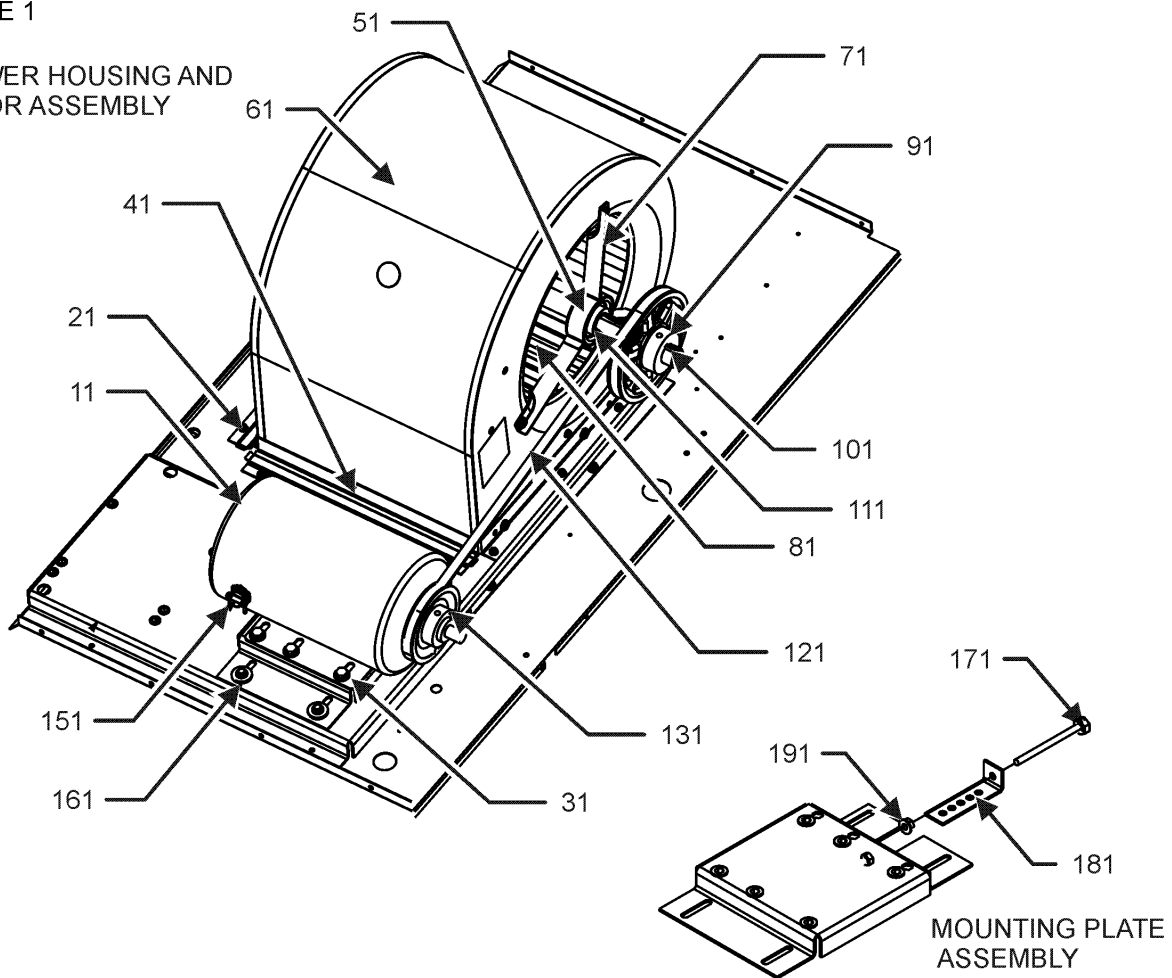
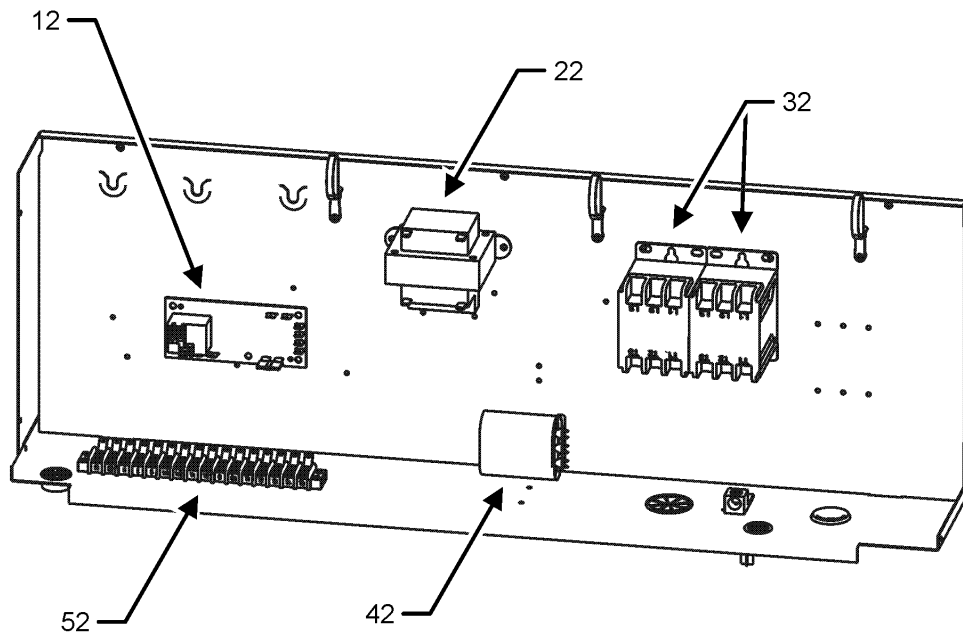


IMAGE 2



Belt Drive and Control Box Assembly

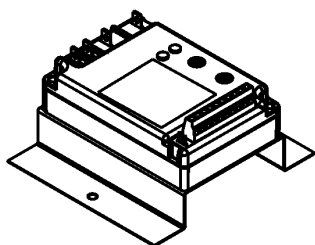
Ref. Part No:	Ref. Part No:	Description:	Description:
Image 1:		Expanded Model Nomenclature	
11	0131L00003	BELT DRIVE MOTOR 1 HP (M1, M2, M3, M4, M5, M6, M9, M10, M11)	M1 - DSC048XXX3BVBCAA M2 - DSC048XXX3BVXBAA M3 - DSC048XXX3BXDXAA M4 - DSC048XXX3BXXXAA M5 - DSC048XXX4BXDCAA M6 - DSC048XXX4BXXXAA M7 - DSC048XXX7BXXFAA M8 - DSC048XXX7BXXXAA M9 - DSC0480153BHDAAA M10 - DSC0480153BHAAAA M11 - DSC0480154BVXAAA
11	0131L00004	BELT DRIVE MOTOR 1.5 HP 575V (M7, M8)	
21	0121L00297	BLOWER SIDE ANGLE (QTY 3)	
31	0121L01619	MOTOR BASE	
41	0121L00281	BLOWER MOUNTING ANGLE	
51	0163L00005	BELT DRIVE BLOWER SHAFT	
61	2539302F	BLOWER HOUSING 11 X 10	
71	B3201300	MOUNTING BRACKET BEARING (QTY 2)	
81	B1368056	BELT DRIVE BLOWER WHEEL	
91	0163L00135	SHEAVE, FIXED AK66H	
101	0163M00407	MACHINE KEY, SPECIAL	
111	0163L00247	BEARING, BALL, MOUNTED (QTY 2)	
121	0164L00010	FAN BELT, NOTCHED	
131	0163L00024	VARIABLE PITCH SHEAVE 1VL40 X 5/8"	
151	B1393726	ELECT. CONNECTING BUSHING	
161	B1393738	BOLT 1/4-20 X 3/4" (QTY 4)	
171	0163M00045	BOLT 1/4-20 X 4"	
181	3225000F	BELT TIGHTENER ANGLE	
191	B1393023	NUT / LOCK .25-20	
NS	1864703	BLOWER CUT-OFF ASM,5TON,MORRIS	
NS	B1398603	STEEL KEY (000158812) 4.5"	
Image 2:			
12	PCBFM103	ELECTRONIC BLOWER TIME DELAY	
22	0130M00138	TRANSFORMER 208/230, 24V (M1, M2, M3, M4, M9, M10)	
22	0130M00595	TRANSFORMER, 75VA, 480V TO 24V (M5, M6,	
22	0130M00598	TRANSFORMER, 75VA, 575V TO 24V (M7, M8)	
32	CONT3P025024V	CONTACTOR 25 AMP, 3P, 24V (M5, M6, M7, M8, M11)	
32	CONT3P030024V	CONTACTOR 30 AMP, 3P, 24V (M1, M2, M3, M4, M9, M10)	
42	CAP075000440LA	CAP 7.5 MFD/440V/OVAL (M6, M11)	
42	CAP030000440LA	CAPACITOR 3/440V (M8)	
42	CAP050000370LA	CAPACITOR 5/370V (M5, M7)	
42	CAP050000440LA	CAPACITOR 5/440V (M1, M2, M3, M4, M9, M10)	
52	0130M00038	TERMINAL BOARD	
NS	20520901	CAPACITOR STRAP	
NS	0121L01468	CONTROL, PH MON BOX (M1)	
NS	0121L01467	CONTROL, PH MON LID (M1)	
NS	0259L00178	HARNESS, ECONOMIZER	
NS	0259L00070	HARNESS, WIRING (M5, M7)	
NS	0130L00105	PHASE MONITOR (M1)	
NS	0259L00427	WIRE ASSY (M1)	
NS	0259L00428	WIRE ASSY (M1)	
NS	0259L00054	WIRING HARNESS	
NS	0259L00061	WIRING HARNESS	
NS	0259L00064	WIRING HARNESS	
NS	0259L00065	WIRING HARNESS	

Accessory Parts List

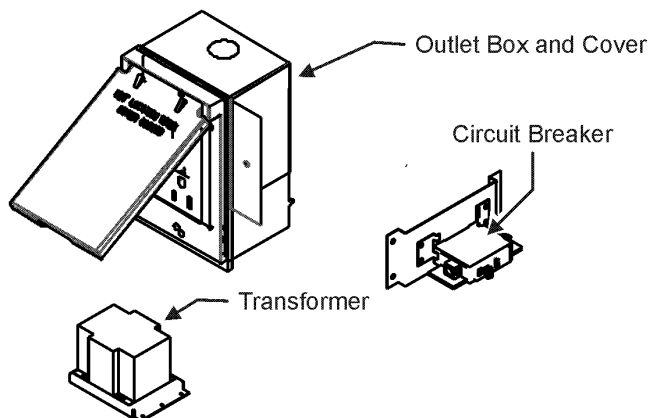
ACCESSORY PARTS LIST

NOTE: NOT ALL OPTIONS AVAILABLE FOR ALL PRODUCTS

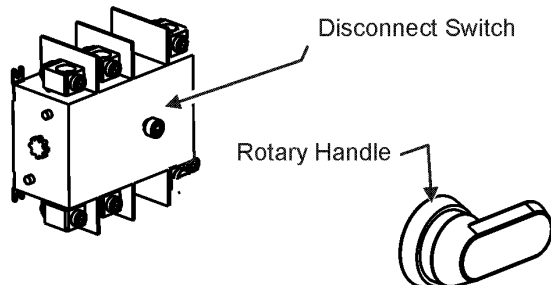
1 LOW AMBIENT KITS



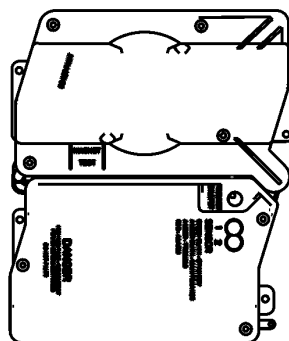
2 GFCI CONVENIENCE OUTLET



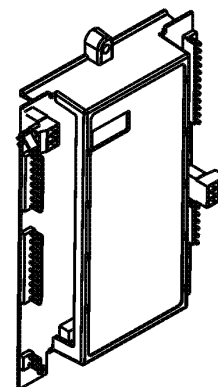
3 DISCONNECT MODULE (NON-FUSED)



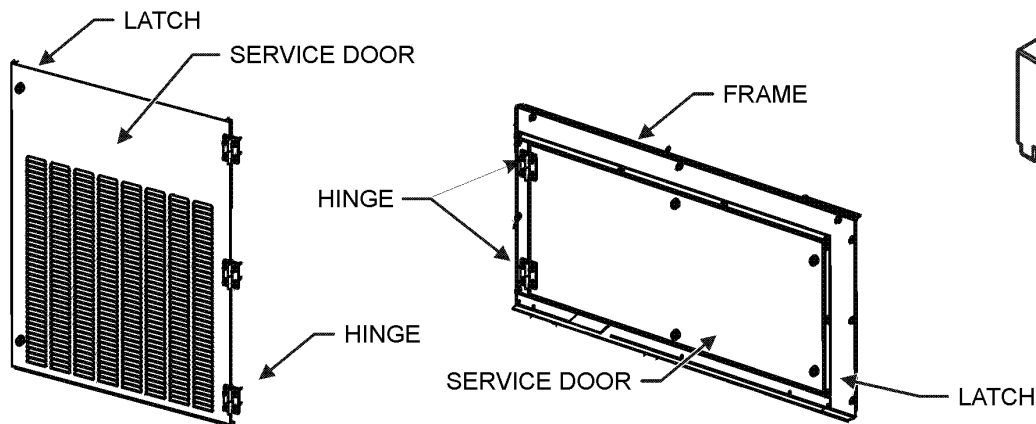
4 SMOKE DETECTORS



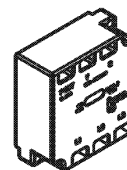
5 DDC CONTROL



6 HINGED DOOR ASSEMBLIES



7 PHASE MONITOR



Accessory Parts List

Ref. Part No:	Ref. Part No:	Description:	Description:
Image 1:			
NS EHK3-15		15 KW 208-230/3 ELECTRIC HEAT (M9, M10)	
NS EHK4-15		15 KW 460/3 (M11)	
NS DDNECNJ3672C		3-6 TON DFLOW ECONOMIZER (M1, M2, M11)	
NS 0121L00316		BRACKET-CONV OUTLET MOUNT (M2, M7, M10, M11)	
NS 0121L00835		BRACKET-DISCONNECT SWITCH (M9, M10)	
NS 0130M00065		CIRCUIT BREAKER, CONVENIENCE OUTLET (M2)	
NS 0121L00837NG		DISCONNECT COVER (M9, M10)	
NS 0130L00012		GANG BOX-GFCI OUTLET (M2, M7, M10, M11)	
NS 0130L00039		HANDLE, ROTARY (M9, M10)	
NS 0163M00307		HINGE, LEFT HAND (M3, M5, M9)	
NS 0163M00308		HINGE, RIGHT HAND (M3, M5, M9)	
NS 0163M00360		LATCH (M3, M5, M9)	
NS 0130M00058		LOW AMBIENT KIT (M5, M7)	
NS 0121L02509NG		PNT, BLOWER DOOR FRAME (M3, M5, M9)	
NS 0161G00012		POWER OUTLET BOX (M2, M7, M10, M11)	
NS 0130L00103		RECEPTACLE-GFCI OUTLET (M2, M7, M10, M11)	
NS 0121L02527NG		SERVICE DOOR BACK , BLOWER (M3, M5, M9)	
NS 0121L02526NG		SERVICE DOOR FRONT, BLOWER (M3, M5, M9)	
NS 0130L00042		SHAFT, CUT (M9, M10)	
NS 0130L00049		SHAFT, DISCONNECT (M9, M10)	
NS 0130L00046		SWITCH-DISCONNECT 60A (M9, M10)	
NS 0130M00061		TRANSFORMER , CONVENIENCE OUTLET (M2)	

Expanded Model Nomenclature

- M1 - DSC048XXX3BVBCAA
- M2 - DSC048XXX3BVXBAA
- M3 - DSC048XXX3BXDXAA
- M4 - DSC048XXX3BXXXAA
- M5 - DSC048XXX4BXDCAA
- M6 - DSC048XXX4BXXXAA
- M7 - DSC048XXX7BXXFAA
- M8 - DSC048XXX7BXXXAA
- M9 - DSC0480153BHDAAA
- M10 - DSC0480153BHAAAA
- M11 - DSC0480154BVXAAA