

Commercial 4 Ton High Static Package Cooling Unit

DSC0480104HRXMAA
DSC0480154HWXXAA
DSC0480184HFXXAA
DSC048XXX3HXXXAA



This manual is to be used by qualified technicians only.

This manual replaces RP-D1189B.

Important Information

Index

Functional Parts List	3
Illustration and Parts	4 - 15

Views shown are for parts illustrations only, not servicing procedures

Text Codes:

AR - As Required

NA - Not Available

NS - Not Shown

00000000 - See Note

QTY - Quantity Example (QTY 3) (If Quantity not shown, Quantity = 1)

M - Model Example (M1) (If M Code not shown, then part is used on all Models)

Expanded Model Nomenclature:

Example M1 - Model#1 M2 - Model#2 M3 - Model#3

Daikin Company, L.P. is not responsible for personal injury or property damage resulting from improper service. Review all service information before beginning repairs.

Warranty service must be performed by an authorized technician, using authorized factory parts. If service is required after the warranty expires, Daikin Company, L.P. also recommends contacting an authorized technician and using authorized factory parts.

Daikin Company, L.P. reserves the right to discontinue, or change at any time, specifications or designs without notice or without incurring obligations.

For assistance within the U.S.A. contact:

Equipment Support
Daikin North America, LLC
19001 Kermier Road
Waller, Texas 77484
855-770-5678-Telephone
713-863-2382-Facsimile

For assistance outside the U.S.A. contact:

International Division
Daikin North America, LLC
19001 Kermier Road
Waller, Texas 77484
713-861-2500-Telephone
713-863-2382-Facsimile

Functional Parts

Part

No: Description:

B1368056	BELT DRIVE BLOWER WHEEL
CAP075000440LA	CAP 7.5 MFD/440V/OVAL (M3)
CAP075000370LA	CAP, 7.5 MFD/370V/OVAL (M2, M4)
CAP050000440LA	CAPACITOR (M1)
ZP39K5ETF5130	COMPRESSOR 39000, 200/230/60/3 (M1)
ZP39K5ETFD130	COMPRESSOR 39000, 460/60/3 (M2, M3, M4)
CONT3P025024V	CONTACTOR 25 AMP, 3P, 24V (M2, M3, M4)
CONT3P030024V	CONTACTOR 30 AMP, 3P, 24V (M1)
0130M00074	CUT-OUT SWITCH, HIGH PRESSURE
0130M00087	CUT-OUT SWITCH, LOW PRESSURE
PCBFM103	ELECTRONIC BLOWER TIME DELAY
0164L00002	FAN BELT, NOTCHED
0150G00004	FAN BLADE
0131M00847	MOTOR, 1/4 HP, 1 SP, 6 PL (M1)
B3240007	MOTOR, 230 & 460 / 60Hz 3PH
0131M00857	MOTOR, 380/460 50/60 HZ (M2, M3, M4)
0130M00038	TERMINAL BOARD
0130M00138	TRANSFORMER 208/230, 24V (M1)
0130M00595	TRANSFORMER, 75VA, 480V TO 24V (M2, M3, M4)

Expanded Model Nomenclature

M1 - DSC048XXX3HXXXAA
M2 - DSC0480104HRXMAA
M3 - DSC0480154HWXXAA
M4 - DSC0480184HFXXAA

Top Panel and Tubing Assembly

Ref. Part No: No:	Description:	Ref. Part No: No:	Description:
-------------------	--------------	-------------------	--------------

Image 1:

11	0121L00235NG	TOP PANEL
21	0131M00847	MOTOR, 1/4 HP, 1 SP, 6 PL (M1)
21	0131M00857	MOTOR, 380/460 50/60 HZ (M2, M3, M4)
31	0163M00006P	ACORN NUT 5/16 HEX BLACK (QTY 4)
41	0152G00003	FAN GRILLE
51	17788000083F	PVC CONDUIT 8.25"
61	0150G00004	FAN BLADE
71	0161L00000	VENTURI RING 22"
NS	0163M00004	SCREW #10X3/4", BLACK (QTY 18)
NS	0163M00005P	WASHER, BLACK (.50 OD .218ID) (QTY 4)

Image 2:

12	ZP39K5ETF5130	COMPRESSOR 39000, 200/230/60/3 (M1)
12	ZP39K5ETFD130	COMPRESSOR 39000, 460/60/3 (M2, M3, M4)
22	0130M00087	CUT-OUT SWITCH, LOW PRESSURE
32	B1339533	COMPRESSOR GROMMET (QTY 4)
42	M0221641	TF SHOULDER SCREW (QTY 4)
52	0162R00009	FILTER DRIER
62	0130M00074	CUT-OUT SWITCH, HIGH PRESSURE
72	0159L00065	COMPRESSOR SCROLL HARNESS
82	0121L00310	COMPRESSOR MOUNTING PLATE
92	0121L01990	BASE PAN, OUTDOOR
102	0121L02619	BASE PAN, INDOOR
112	0121L00936	BRACKET-HAIRPIN END
NS	B1373315	ACCESS FITTING (QTY 2)
NS	0141L00003X	FORK BOARD (QTY 2)
NS	0121L00055	FORK BOARD BRACKET (QTY 4)

Expanded Model Nomenclature

M1 - DSC048XXX3HXXXAA
M2 - DSC0480104HRXMAA
M3 - DSC0480154HWXXAA
M4 - DSC0480184HFXXAA

Cabinet Assembly

IMAGE 1

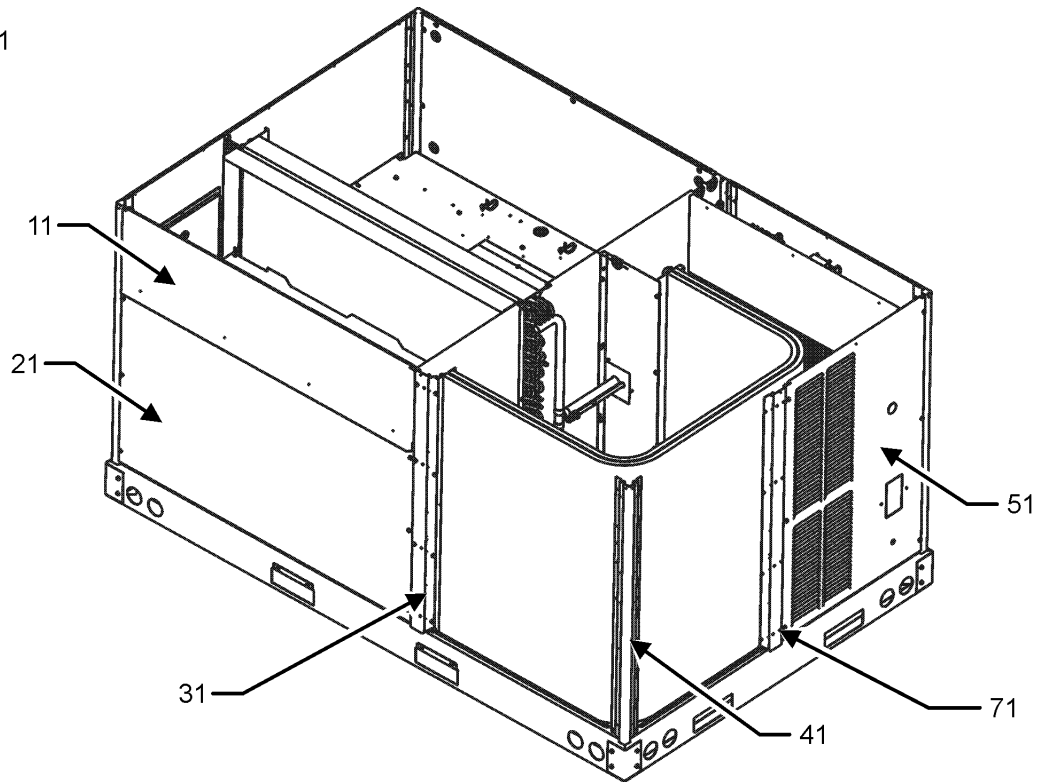
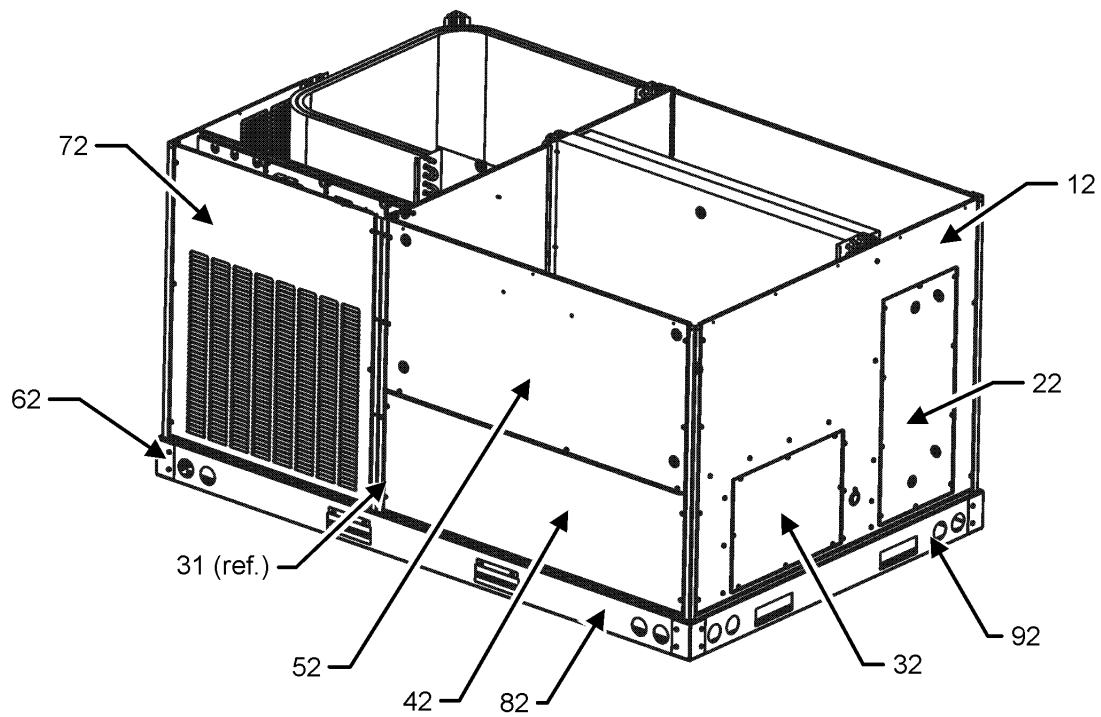


IMAGE 2



Cabinet Assembly

Ref. Part No:	Part No:	Description:	Ref. Part No:	Part No:	Description:
---------------	----------	--------------	---------------	----------	--------------

Image 1:

11	0270L00362NG	FILTER DOOR			
21	0121L01309	ECONOMIZER COVER (M2, M4)			
21	0121L00976NG	ECONOMIZER DOOR (M1, M3)			
31	0121L00233RFNG	POST-SIDE SUPPORT (QTY 2)			
41	0121L00237RFNG	CORNER POST (QTY 4)			
51	0121L00263NG	LOUVERED COMPRESSOR PANEL (M1, M4)			
51	0121L00836NG	PNT, COMP LOUVER DISC PNL (M2, M3)			
71	0121L01159RFNG	POST-SIDE SUPPORT			
NS	0164L00009	GASKET-RUBBER, CPOST (QTY 3)			
NS	0164L00011	GASKET-RUBBER, SIDE POST (QTY 2)			

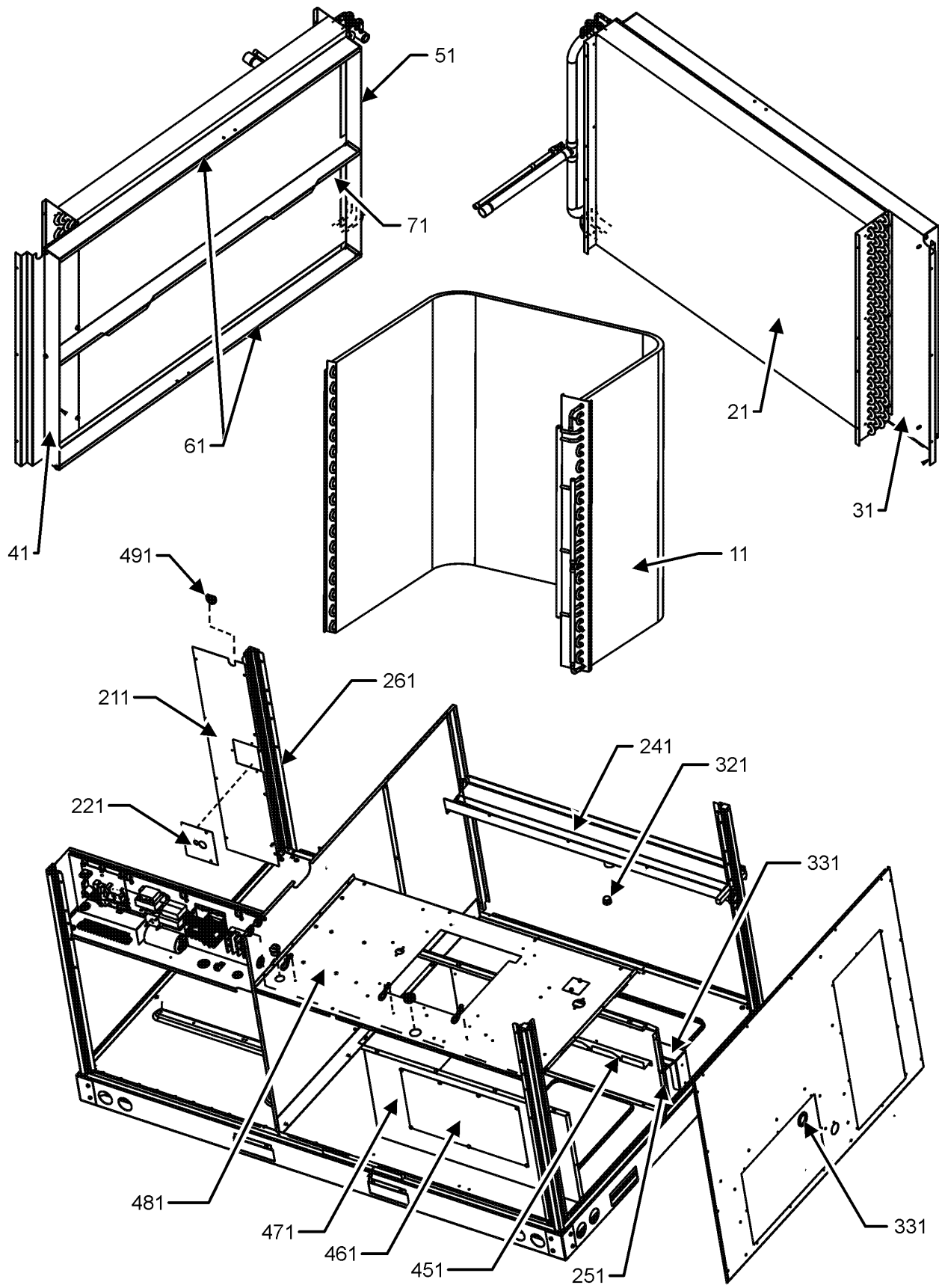
Image 2:

12	0121L00236NG	DUCT PANEL			
22	0121L00023NG	RETURN DUCT COVER			
32	0121L00024NG	SUPPLY DUCT COVER			
42	0121L01176NG	ELECTRIC HEAT DOOR			
52	0121L01157NG	BLOWER DOOR			
62	0121G00301	RAIL CORNER BRACKET (QTY 4)			
72	0121L01121NG	LOUVERED CONTROL PANEL			
82	0121L00244RF	SIDE RAIL (QTY 2)			
92	0121L00245	END RAIL			

Expanded Model Nomenclature

M1 - DSC048XXX3HXXXAA
M2 - DSC0480104HRXMAA
M3 - DSC0480154HWXXAA
M4 - DSC0480184HFXXAA

Partition, Condenser and Evaporator Assy



Partition, Condenser and Evaporator Assy

Ref. Part No:	Ref. Part No:	Description:	Description:
---------------	---------------	--------------	--------------

Image 1:

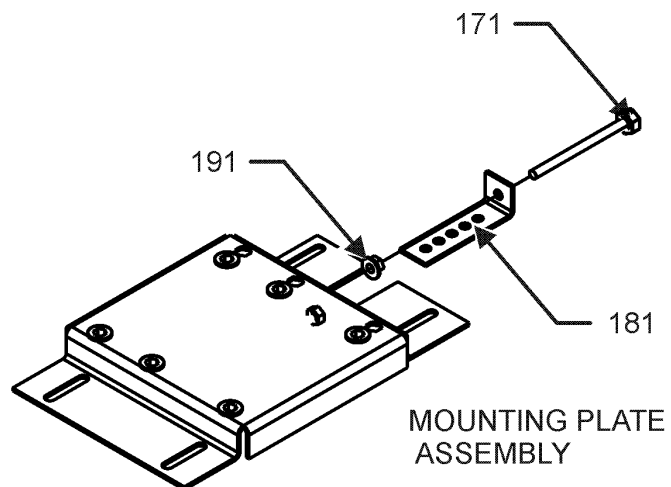
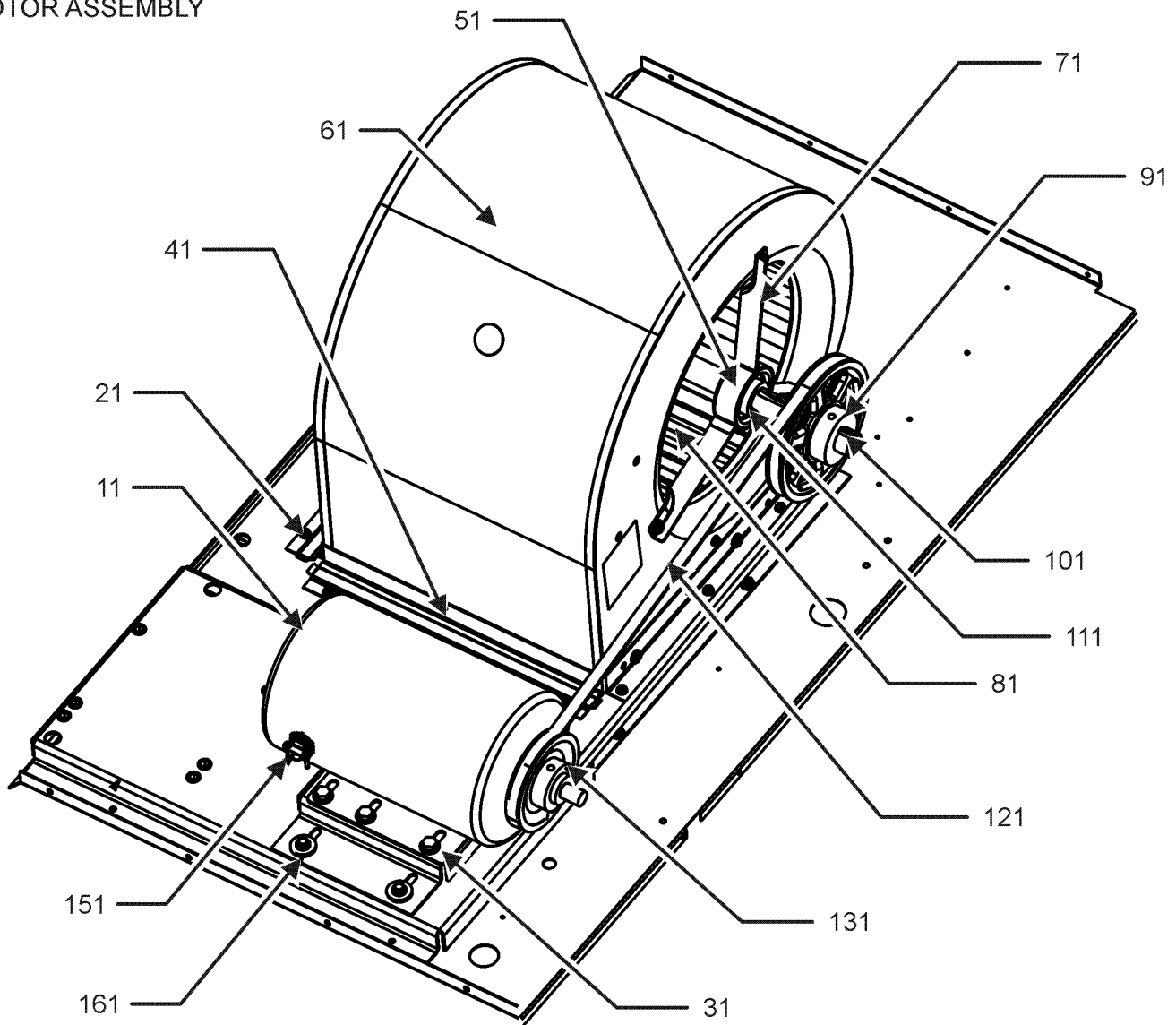
11	0201L00141	TUBING ASSY, COND COIL
21	0202L00163	EVAP COIL TUBING ASSY
31	0121L00252	BLOCKOFF-EVAPORATOR
41	0121L00303	FILTER ANGLE-VERTICAL (HAIRPIN SIDE)
51	0121L00287	FILTER ANGLE-VERTICAL (RETURN SIDE)
61	0121L00932	FILTER ANGLE-HORIZONTAL (QTY 2)
71	0121L01255	ANGLE-FILTER CENTER
211	0121L00882	BLOCKOFF-CONDENSER
221	0121L00939	CONDENSER BLOCKOFF PLATE
231	0121L00238	DRAIN PAN SUPPORT
241	0161L00005	DRAIN PAN
251	0121L02123	DECK SIDE CHANNEL
261	0121L00254	COND MOUNTING ANGLE
321	0163L00071	DRAIN PLUG
331	0154L00009	DRAIN PAN GASKET
451	0121L00288	ELECTRIC HEAT RETAINER
461	0121L00144	ELECTRIC HEAT COVER
471	0121L00256	ELECTRIC HEAT PANEL
481	0121L01575	BLOWER DECK
491	A4568804	GROMMET-D (QTY 4)
NS	0160L00173	AIR FILTER 14 X 20 X 2 (QTY 4)
NS	0121L00321	SMOKE DETECTOR COVER

Expanded Model Nomenclature

M1 - DSC048XXX3HXXXAA
M2 - DSC0480104HRXMAA
M3 - DSC0480154HWXXAA
M4 - DSC0480184HFXXAA

Belt Drive Assembly

BLOWER HOUSING AND MOTOR ASSEMBLY



MOUNTING PLATE ASSEMBLY

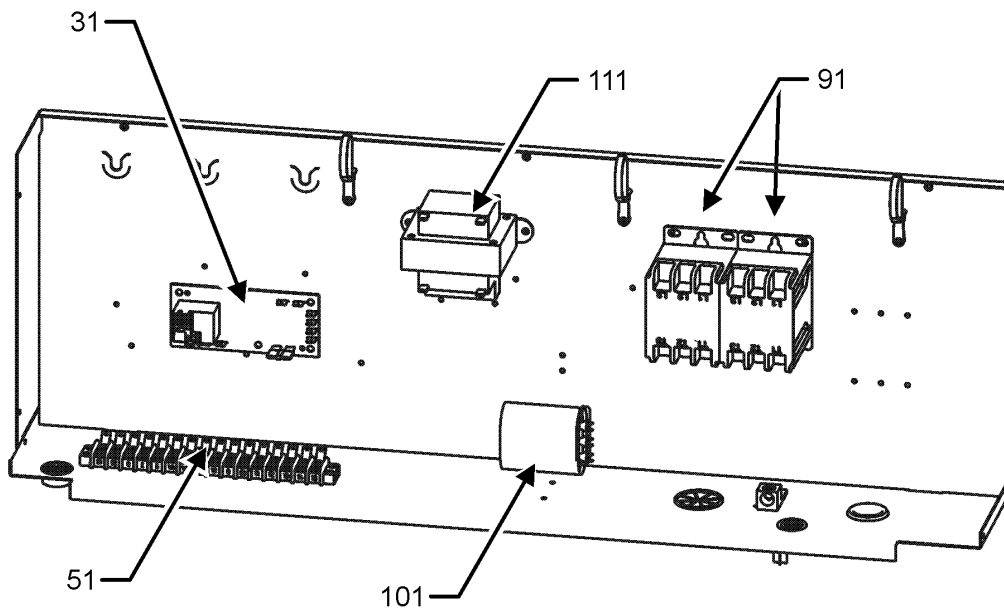
Belt Drive Assembly

Ref. Part No:	Part No:	Description:	Ref. Part No:	Part No:	Description:
Image 1:					
11	B3240007	MOTOR, 230 & 460 / 60Hz 3PH			
21	0121L00297	BLOWER SIDE ANGLE (QTY 3)			
31	0121L01619	MOTOR BASE			
41	0121L00281	BLOWER MOUNTING ANGLE			
51	0163L00005	BELT DRIVE BLOWER SHAFT			
61	2539302F	BLOWER HOUSING 11 X 10			
71	B3201300	MOUNTING BRACKET BEARING (QTY 2)			
81	B1368056	BELT DRIVE BLOWER WHEEL			
91	0163L00135	SHEAVE, FIXED AK66H			
101	0163M00407	MACHINE KEY, SPECIAL			
111	B1399500	BALL BEARING 1.00" (QTY 2)			
121	0164L00002	FAN BELT, NOTCHED			
131	B2120013	VARIABLE PITCH SHEAVE 1VM50			
151	B1393726	ELECT. CONNECTING BUSHING			
161	B1393738	BOLT 1/4-20 X 3/4" (QTY 4)			
171	0163M00045	BOLT 1/4-20 X 4"			
181	3225000F	BELT TIGHTENER ANGLE			
191	B1393023	NUT / LOCK .25-20			
NS	1864703	BLOWER CUT-OFF ASM,5TON,MORRIS			
NS	B1398603	STEEL KEY (000158812) 4.5"			

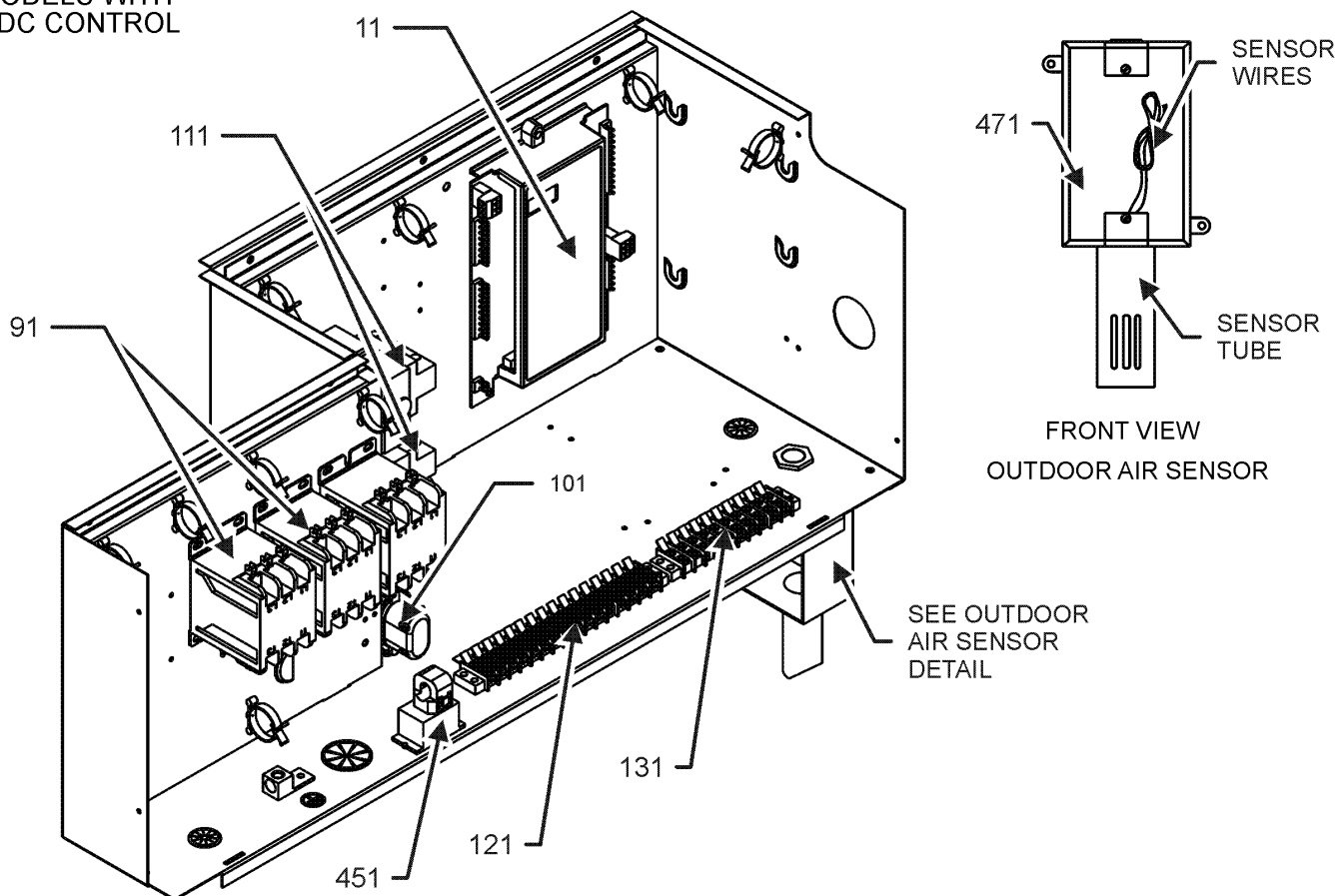
Expanded Model Nomenclature

M1 - DSC048XXX3HXXXAA
M2 - DSC0480104HRXMAA
M3 - DSC0480154HWXXAA
M4 - DSC0480184HFXXAA

Control Box Assembly



CONTROL BOX FOR MODELS WITH DDC CONTROL



Control Box Assembly

Ref. Part No:	Part No:	Description:	Ref. Part No:	Part No:	Description:
---------------	----------	--------------	---------------	----------	--------------

Image 1:

11	PCBCG103	PCB, CONTROL, HP, GAS ,AC (M2, M4)
31	PCBFM103	ELECTRONIC BLOWER TIME DELAY
51	0130M00038	TERMINAL BOARD
91	CONT3P025024V	CONTACTOR 25 AMP, 3P, 24V (M2, M3, M4)
91	CONT3P030024V	CONTACTOR 30 AMP, 3P, 24V (M1)
101	CAP075000440LA	CAP 7.5 MFD/440V/OVAL (M3)
101	CAP075000370LA	CAP, 7.5 MFD/370V/OVAL (M2, M4)
101	CAP050000440LA	CAPACITOR (M1)
111	0130M00138	TRANSFORMER 208/230, 24V (M1)
111	0130M00595	TRANSFORMER, 75VA, 480V TO 24V (M2, M3, M4)
121	0130M00274	TERMINAL BOARD (M2, M4)
131	0130M00275	TERMINAL BOARD (M2, M4)
451	0259L00368	CURRENT SWITCH WITH TERMS (M2, M4)
471	0130L00108	OD Air Temp Sensor (M2, M4)
NS	B821700	CAPACITOR BOOT (M2, M4)
NS	20520901	CAPACITOR STRAP
NS	0130L00112	Duct Temp Sensor (M2, M4)
NS	0259L00178	HARNESS, ECONOMIZER
NS	0130L00107	ROOM SENSOR -OE213-G (M2, M4)
NS	0259L00054	WIRING HARNESS
NS	0259L00061	WIRING HARNESS
NS	0259L00064	WIRING HARNESS
NS	0259L00065	WIRING HARNESS

Expanded Model Nomenclature

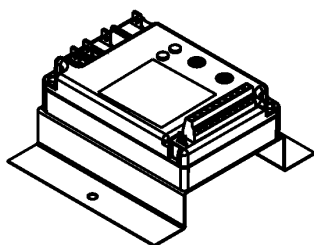
- | |
|-----------------------|
| M1 - DSC048XXX3HXXXAA |
| M2 - DSC0480104HRXMAA |
| M3 - DSC0480154HWXXAA |
| M4 - DSC0480184HFXXAA |

Accessory Parts List

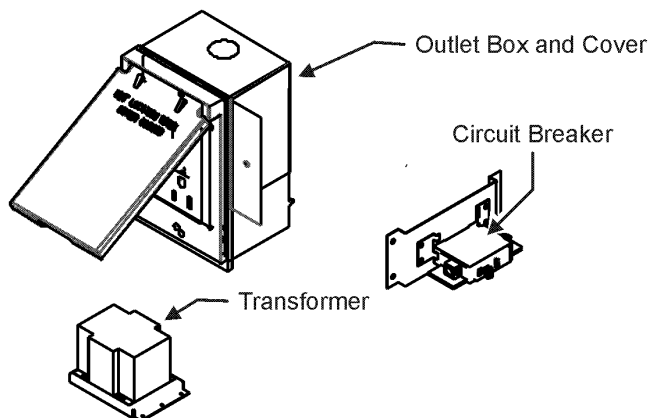
ACCESSORY PARTS LIST

NOTE: NOT ALL OPTIONS AVAILABLE FOR ALL PRODUCTS

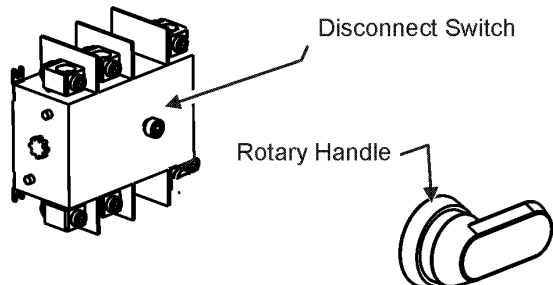
1 LOW AMBIENT KITS



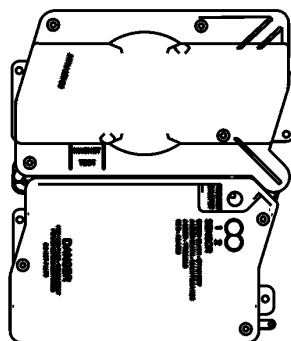
2 GFCI CONVENIENCE OUTLET



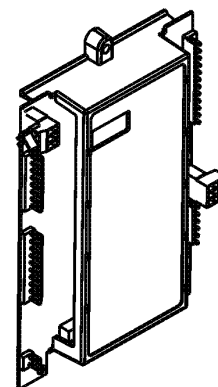
3 DISCONNECT MODULE (NON-FUSED)



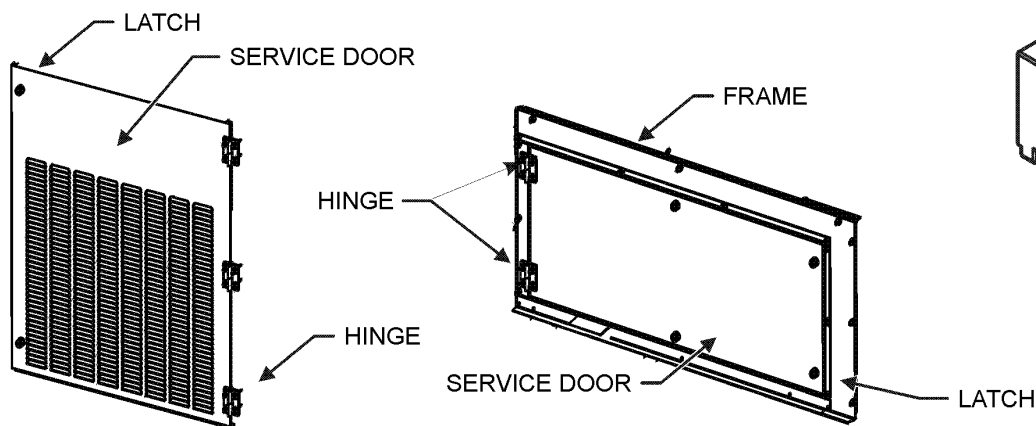
4 SMOKE DETECTORS



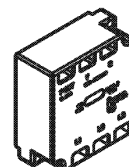
5 DDC CONTROL



6 HINGED DOOR ASSEMBLIES



7 PHASE MONITOR



Accessory Parts List

Ref. Part No:	Part No:	Description:	Ref. Part No:	Part No:	Description:
---------------	----------	--------------	---------------	----------	--------------

Image 1:

NS	EHK4-15	15 KW 460/3 (M3)			
NS	EHK4-18	18 KW 460/3 ELECTRIC HEAT (M4)			
NS	DDNECNJ3672C	3-6 TON DFLOW ECONOMIZER (M3)			
NS	10366D09C	3-6 TON DFLOW ECONOMIZER, DDC (M2, M4)			
NS	0121L00316	BRACKET-CONV OUTLET MOUNT (M2)			
NS	0121L00835	BRACKET-DISCONNECT SWITCH (M2, M3)			
NS	0130M00065	CIRCUIT BREAKER, CONVENIENCE OUTLET (M2)			
NS	0121L00837NG	DISCONNECT COVER (M2, M3)			
NS	EHK4-10	ELECTRIC HEATER KIT (M2)			
NS	0130L00012	GANG BOX-GFCI OUTLET (M2)			
NS	0130L00039	HANDLE, ROTARY (M2, M3)			
NS	0130M00058	LOW AMBIENT KIT (M2)			
NS	0161G00012	POWER OUTLET BOX (M2)			
NS	0130L00103	RECEPTACLE-GFCI OUTLET (M2)			
NS	0130L00042	SHAFT, CUT (M2, M3)			
NS	0130L00049	SHAFT, DISCONNECT (M2, M3)			
NS	0130L00046	SWITCH-DISCONNECT 60A (M2, M3)			
NS	0130M00061	TRANSFORMER, CONVENIENCE OUTLET (M2)			

Expanded Model Nomenclature

M1 - DSC048XXX3HXXXAA
M2 - DSC0480104HRXMAA
M3 - DSC0480154HWXXAA
M4 - DSC0480184HFXXAA