

Commercial 3 Ton Belt Drive Package Cooling Unit

DSC0360103BMXXAA
DSC0360104BHDXAA
DSC0360104BWXAAA
DSC0360154BHXBAA
DSC0360154BVXAAA
DSC0360157BBDAAA
DSC036XXX3BBXXAA
DSC036XXX3BFDXAA
DSC036XXX3BXDXAA
DSC036XXX3BXXXAA
DSC036XXX4BBXXAA
DSC036XXX4BFXXAA
DSC036XXX4BRBWAA
DSC036XXX4BVDBAA
DSC036XXX4BXXBAA
DSC036XXX4BXXXAA
DSC036XXX7BXXXAA



This manual is to be used by qualified technicians only.

This manual replaces RP-D1110J.

Important Information

Index

Functional Parts List	3
Illustration and Parts	4 - 15

Views shown are for parts illustrations only, not servicing procedures

Text Codes:

AR - As Required

NA - Not Available

NS - Not Shown

00000000 - See Note

QTY - Quantity Example (QTY 3) (If Quantity not shown, Quantity = 1)

M - Model Example (M1) (If M Code not shown, then part is used on all Models)

Expanded Model Nomenclature:

Example M1 - Model#1 M2 - Model#2 M3 - Model#3

Daikin Company, L.P. is not responsible for personal injury or property damage resulting from improper service. Review all service information before beginning repairs.

Warranty service must be performed by an authorized technician, using authorized factory parts. If service is required after the warranty expires, Daikin Company, L.P. also recommends contacting an authorized technician and using authorized factory parts.

Daikin Company, L.P. reserves the right to discontinue, or change at any time, specifications or designs without notice or without incurring obligations.

For assistance within the U.S.A. contact:

Equipment Support
Daikin North America, LLC
19001 Kermier Road
Waller, Texas 77484
855-770-5678-Telephone
713-863-2382-Facsimile

For assistance outside the U.S.A. contact:

International Division
Daikin North America, LLC
19001 Kermier Road
Waller, Texas 77484
713-861-2500-Telephone
713-863-2382-Facsimile

Functional Parts

Part No: **Description:**

Part No:	Description:	Expanded Model Nomenclature
B1368056	BELT DRIVE BLOWER WHEEL	M1 - DSC036XXX3BBXXAA
0131L00003	BELT DRIVE MOTOR 1 HP (M1, M2, M3, M4, M5, M6, M7, M8, M9, M10, M12, M13, M14, M15, M16)	M2 - DSC036XXX3BFDXAA
0131L00004	BELT DRIVE MOTOR 1.5 HP 575V (M11, M17)	M3 - DSC036XXX3BXDXAA
CAP075000440LA	CAP 7.5 MFD/440V/OVAL (M8, M9, M10, M13, M14, M15, M16)	M4 - DSC036XXX3BXXAA
CAP050000370LA	CAP, 5 MFD/370V/OVAL (M1, M2)	M5 - DSC036XXX4BBXXAA
CAP030000440LA	CAPACITOR 3/440V (M11, M17)	M6 - DSC036XXX4BFXXAA
CAP050000440LA	CAPACITOR 5/440V (M3, M4, M12)	M7 - DSC036XXX4BRBWAA
CAP075000370LA	CAPACITOR 7.5/370V (M5, M6, M7)	M8 - DSC036XXX4BVDBAA
ZP31K5ETFE130	COMPRESSOR 31100, 575/60/3 (M11, M17)	M9 - DSC036XXX4BXXBAA
ZP31K5ETF5130	COMPRESSOR 31200, 200/230/60/3 (M1, M2, M3, M4, M12)	M10 - DSC036XXX4BXXAA
ZP31K5ETFD130	COMPRESSOR 31200, 460/60/3 (M5, M6, M7, M8, M9, M10, M13, M14, M15, M16)	M11 - DSC036XXX7BXXAA
0131M00431	COND MOTOR 575V (M11, M17)	M12 - DSC0360103BMXXAA
CONT3P025024V	CONTACTOR 25 AMP, 3P, 24V (M5, M6, M7, M8, M9, M10, M11, M13, M14, M15, M16, M17)	M13 - DSC0360104BHDXAA
CONT3P030024V	CONTACTOR 30 AMP, 3P, 24V (M1, M2, M3, M4, M12)	M14 - DSC0360104BWXXAA
0259L00368	CURRENT SWITCH WITH TERMS (M1, M2, M5, M6, M7, M12, M17)	M15 - DSC0360154BHXBAA
0130M00209	CUT-OUT SWITCH, HIGH PRESSURE	M16 - DSC0360154BVXAAA
0130L00007	CUT-OUT SWITCH, LOW PRESSURE	M17 - DSC0360157BBDAAA
0130L00112	Duct Temp Sensor (M1, M2, M5, M6, M7, M12, M17)	
PCBFM103	ELECTRONIC BLOWER TIME DELAY	
0150G00004	FAN BLADE	
0131M00847	MOTOR, 1/4 HP, 1 SP, 6 PL (M1, M2, M3, M4, M12)	
0131M00857	MOTOR, 380/460 50/60 HZ (M5, M6, M7, M8, M9, M10, M13, M14, M15, M16)	
0164L00000	NOTCHED FAN BELT AX51	
0130L00108	OD Air Temp Sensor (M1, M2, M5, M6, M7, M12, M17)	
PCBCG103	PCB, CONTROL, HP, GAS ,AC (M1, M2, M5, M6, M7, M12, M17)	
0130M00275	TERMINAL BOARD (M1, M2, M5, M6, M7, M12, M17)	
0130M00038	TERMINAL BOARD	
0130M00274	TERMINAL BOARD (M1, M2, M5, M6, M7, M12, M17)	
0130M00138	TRANSFORMER 208/230, 24V (M1, M2, M3, M4, M12)	
0130M00595	TRANSFORMER, 75VA, 480V TO 24V (M5, M6, M7, M8, M9, M10, M13, M14, M15, M16)	
0130M00598	TRANSFORMER, 75VA, 575V TO 24V (M11, M17)	

Top Panel and Tubing Assembly

IMAGE 1

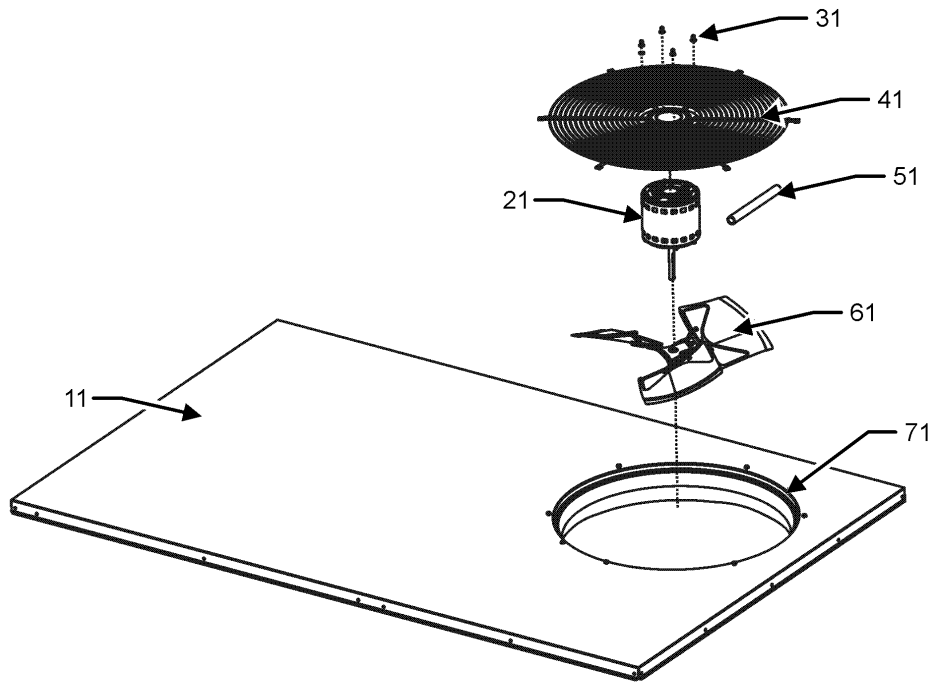
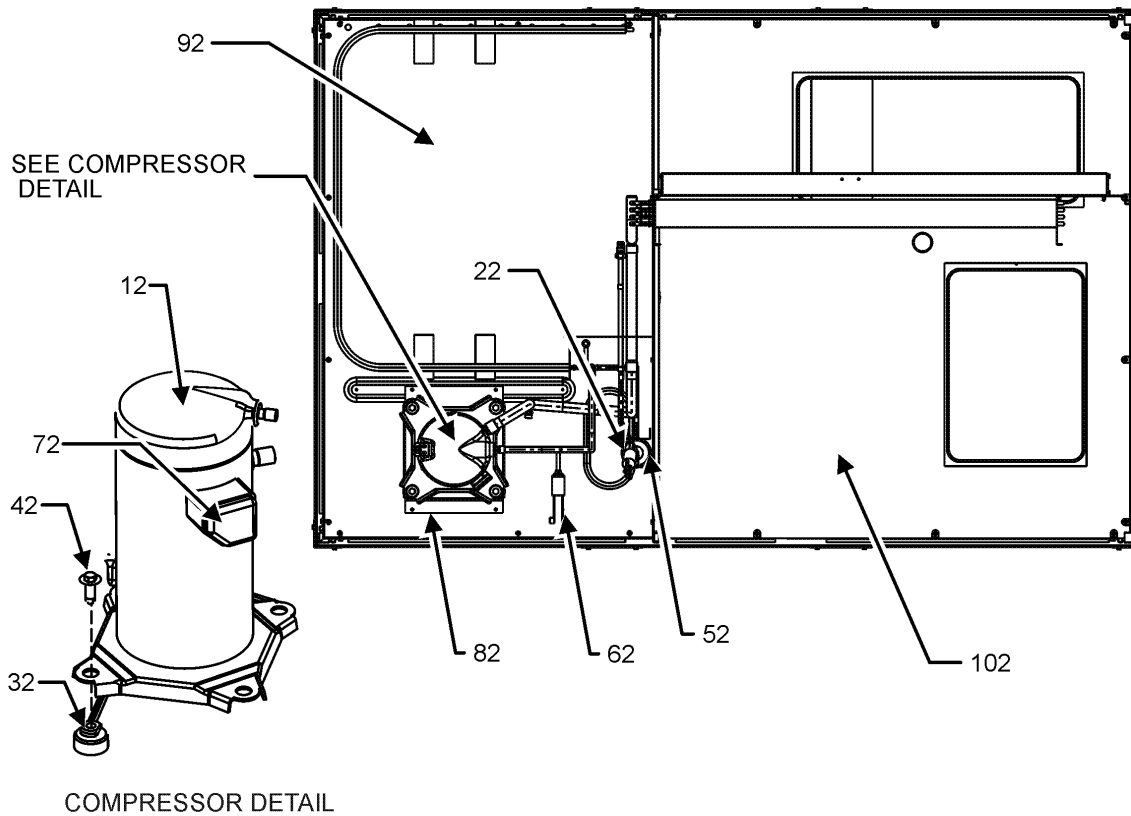


IMAGE 2



Top Panel and Tubing Assembly

Ref. Part No:	Part No:	Description:	Ref. Part No:	Part No:	Description:
---------------	----------	--------------	---------------	----------	--------------

Image 1:

11	0121L00235NG	TOP PANEL
21	0131M00431	COND MOTOR 575V (M11, M17)
21	0131M00847	MOTOR, 1/4 HP, 1 SP, 6 PL (M1, M2, M3, M4, M12)
21	0131M00857	MOTOR, 380/460 50/60 HZ (M5, M6, M7, M8, M9, M10, M13, M14, M15, M16)
31	0163M00006P	ACORN NUT 5/16 HEX BLACK (QTY 4)
41	0152G00003	FAN GRILLE
51	0161R00003P	CONDUIT
61	0150G00004	FAN BLADE
71	0161L00000	VENTURI RING 22"
NS	0163M00004	SCREW #10X3/4", BLACK (QTY 18)
NS	0163M00005P	WASHER, BLACK (.50 OD .218ID) (QTY 4)

Image 2:

12	ZP31K5ETFE130	COMPRESSOR 31100, 575/60/3 (M11, M17)
12	ZP31K5ETF5130	COMPRESSOR 31200, 200/230/60/3 (M1, M2, M3, M4, M12)
12	ZP31K5ETFD130	COMPRESSOR 31200, 460/60/3 (M5, M6, M7, M8, M9, M10, M13, M14, M15, M16)
22	0130L00007	CUT-OUT SWITCH, LOW PRESSURE
32	B1339533	COMPRESSOR GROMMET (QTY 4)
42	M0221641	TF SHOULDER SCREW (QTY 4)
52	B1219225	SINGLE-FLOW FILTER DRIER, STEEL
62	0130M00209	CUT-OUT SWITCH, HIGH PRESSURE
72	0159L00065	COMPRESSOR SCROLL HARNESS
82	0121L00310	COMPRESSOR MOUNTING PLATE
92	0121L01990	BASE PAN-OUTDOOR
102	0121L02619	BASE PAN, INDOOR
NS	B1373315	ACCESS FITTING (QTY 2)
NS	0141L00003X	FORK BOARD (QTY 2)
NS	0121L00055	FORK BOARD BRACKET (QTY 4)

Expanded Model Nomenclature

M1 - DSC036XXX3BBXXAA
M2 - DSC036XXX3BFDXAA
M3 - DSC036XXX3BXDXAA
M4 - DSC036XXX3BXXXAA
M5 - DSC036XXX4BBXXAA
M6 - DSC036XXX4BFXAA
M7 - DSC036XXX4BRBWAA
M8 - DSC036XXX4BVDBAA
M9 - DSC036XXX4BXXBAA
M10 - DSC036XXX4BXXXAA
M11 - DSC036XXX7BXXXAA
M12 - DSC0360103BMXXAA
M13 - DSC0360104BHDAA
M14 - DSC0360104BWXAAA
M15 - DSC0360154BHXBAA
M16 - DSC0360154BVXAAA
M17 - DSC0360157BBDAAA

Cabinet Assembly

IMAGE 1

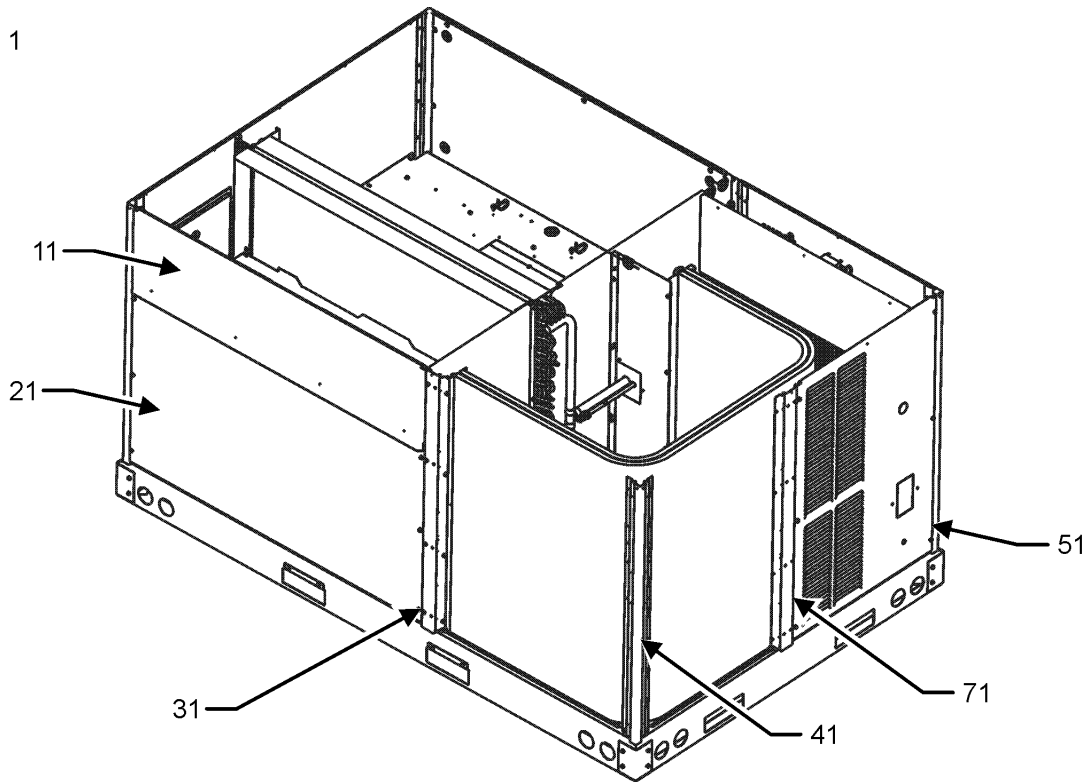
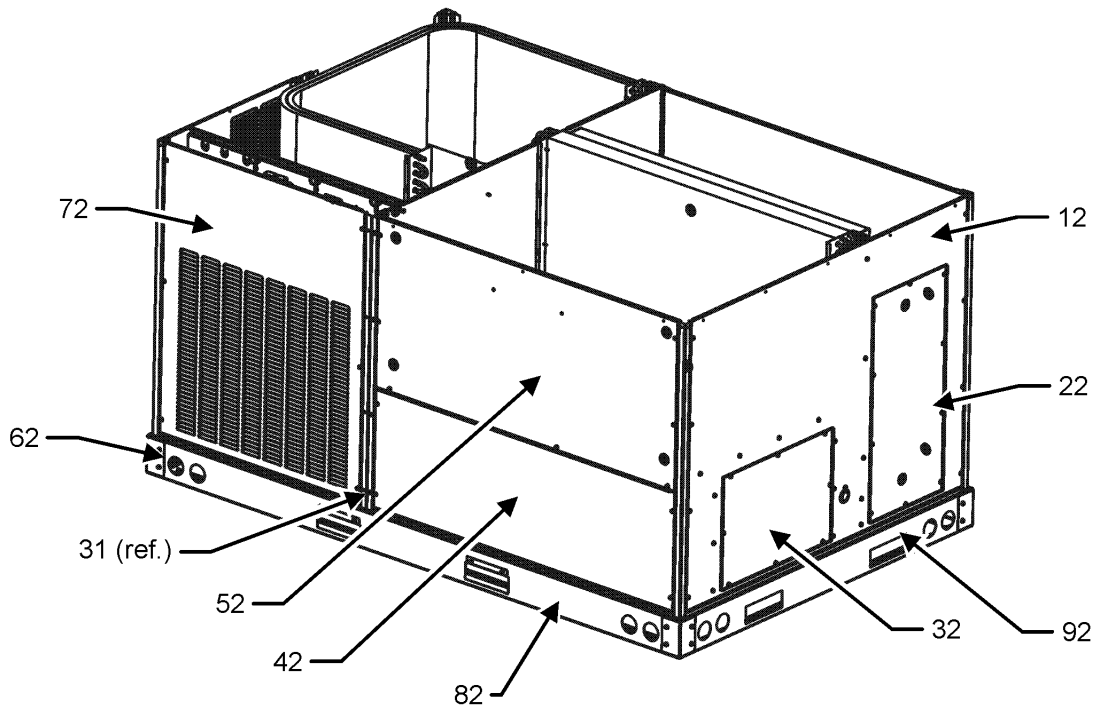


IMAGE 2



Cabinet Assembly

Ref. Part No:	Part No:	Description:	Ref. Part No:	Part No:	Description:
---------------	----------	--------------	---------------	----------	--------------

Image 1:

11	0270L00362NG	FILTER DOOR			
21	0121L00976NG	ECONOMIZER DOOR (M1, M3, M4, M5, M8, M9, M10, M11, M12, M13, M14, M15, M16, M17)			
31	0121L00233RFNG	POST-SIDE SUPPORT (QTY 2)			
41	0121L00237RFNG	CORNER POST (QTY 4)			
41	0121L02553RFNG	PNT, CORNER POST (M2, M3, M8, M13, M17)			
51	0121L00263NG	LOUVERED COMPRESSOR PANEL (M1, M2, M3, M4, M5, M6, M8, M9, M10, M11, M16, M17)			
51	0121L00836NG	LOUVERED COMPRESSOR PANEL (M7, M12, M13, M14, M15)			
71	0121L01374RFNG	PNT, RL FMD SIDE POST SUPPORT (M2, M3, M8, M13, M17)			
71	0121L01159RFNG	POST-SIDE SUPPORT (M1, M4, M5, M6, M7, M9, M10, M11, M12, M14, M15, M16)			
NS	0121L01309	ECONOMIZER COVER (M2, M6, M7)			
NS	0164L00009	GASKET-RUBBER, CPOST (QTY 3)			
NS	0164L00011	GASKET-RUBBER, SIDE POST (QTY 2)			

Image 2:

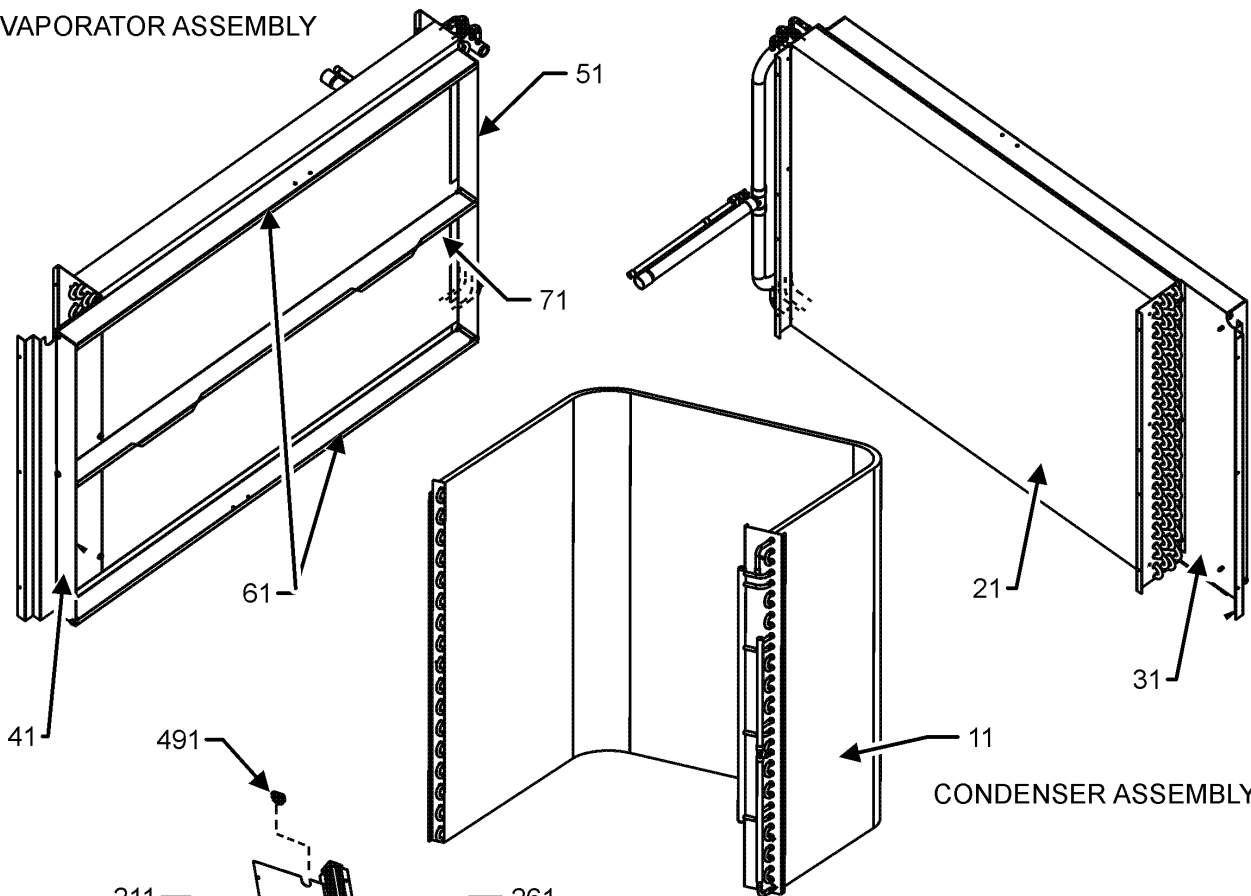
12	0121L00236NG	DUCT PANEL			
22	0121L00023NG	RETURN DUCT COVER			
32	0121L00024NG	SUPPLY DUCT COVER			
42	0121L01176NG	ELECTRIC HEAT DOOR			
52	0121L01157NG	BLOWER DOOR			
62	0121G00301	RAIL CORNER BRACKET (QTY 4)			
72	0121L01121NG	LOUVERED CONTROL PANEL (M1, M4, M5, M6, M7, M9, M10, M11, M12, M14, M15, M16)			
72	0121L02551NG	PNT, CONTROL DOOR (M2, M3, M8, M13, M17)			
82	0121L00244RF	SIDE RAIL (QTY 2)			
92	0121L00245	END RAIL			
92	0121L02655	END RAIL			

Expanded Model Nomenclature

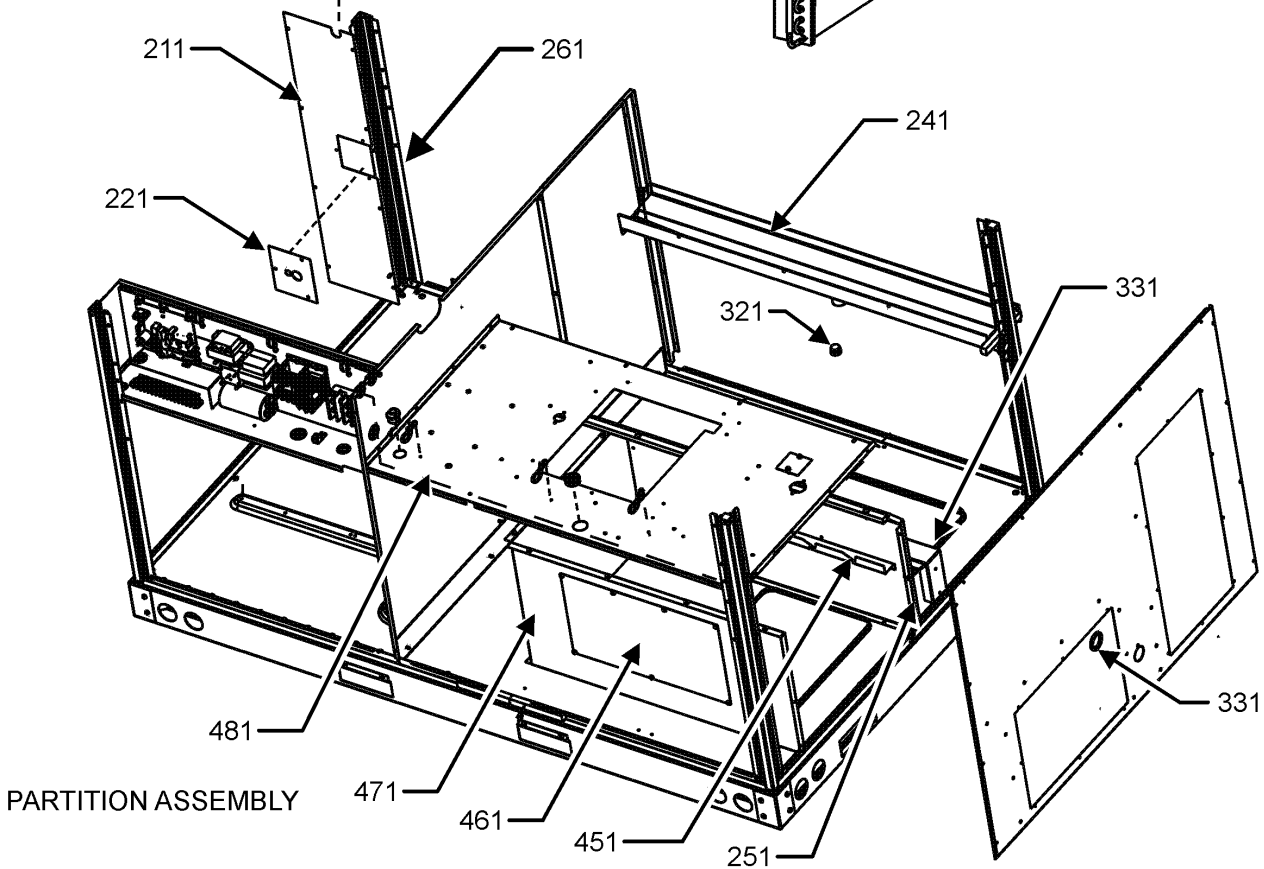
M1 - DSC036XXX3BBXXAA
M2 - DSC036XXX3BFDXAA
M3 - DSC036XXX3BXDXAA
M4 - DSC036XXX3BXXXAA
M5 - DSC036XXX4BBXXAA
M6 - DSC036XXX4BFXAA
M7 - DSC036XXX4BRBWAA
M8 - DSC036XXX4BVDBAA
M9 - DSC036XXX4BXXBAA
M10 - DSC036XXX4BXXXAA
M11 - DSC036XXX7BXXXAA
M12 - DSC0360103BMXXAA
M13 - DSC0360104BHDXAA
M14 - DSC0360104BWXAAA
M15 - DSC0360154BHXBAA
M16 - DSC0360154BVXAAA
M17 - DSC0360157BBDAAA

Partition, Condenser and Evaporator Assy

EVAPORATOR ASSEMBLY



CONDENSER ASSEMBLY



PARTITION ASSEMBLY

Partition, Condenser and Evaporator Assy

Ref. Part No:	Part No:	Description:	Ref. Part No:	Part No:	Description:
---------------	----------	--------------	---------------	----------	--------------

Image 1:

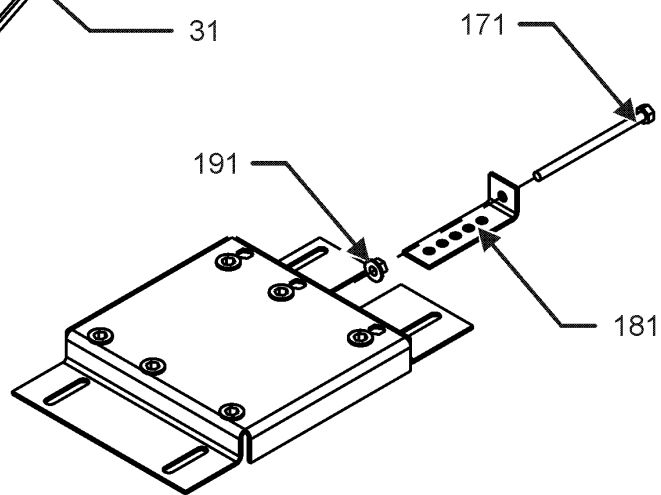
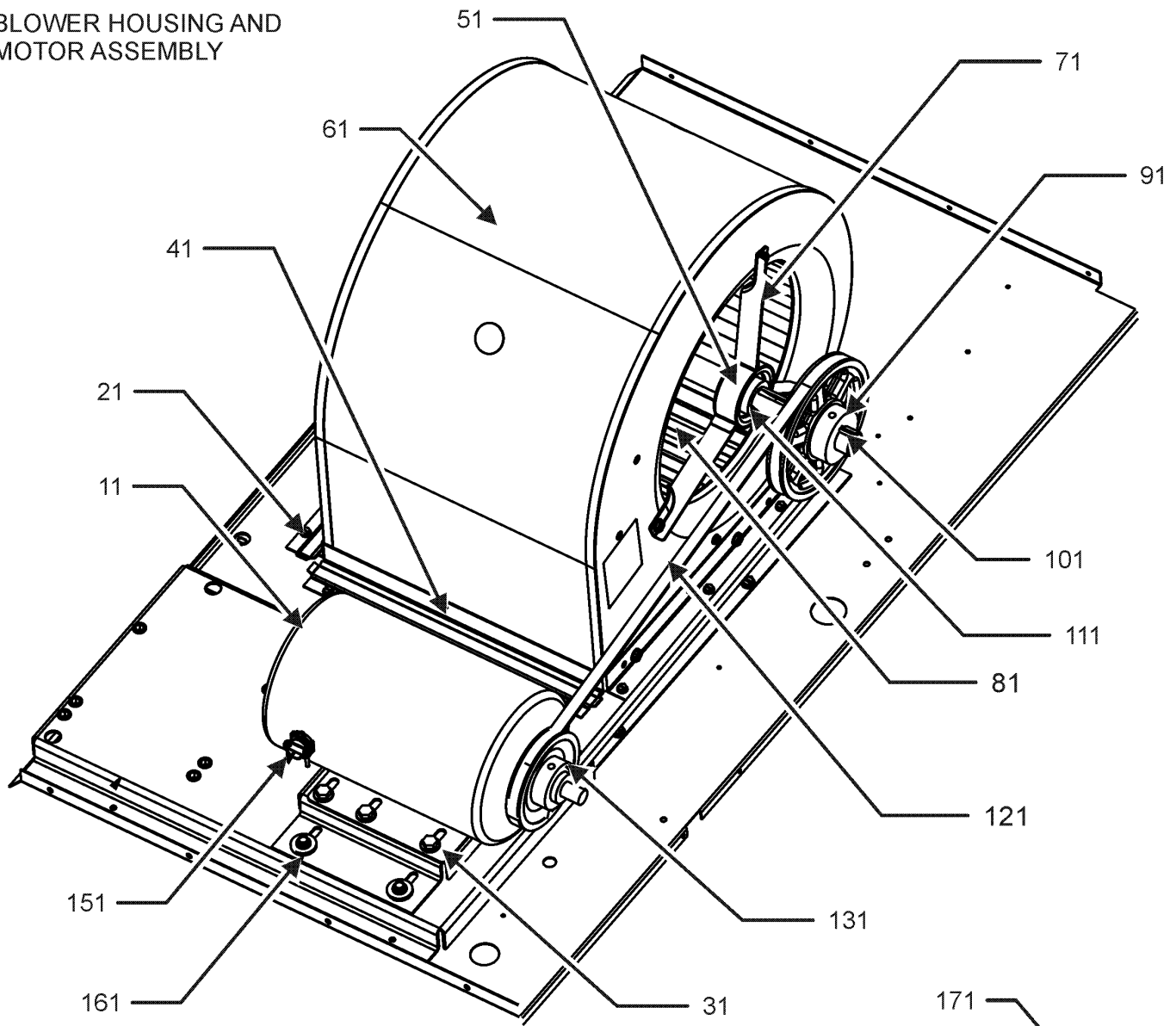
11	0201L00036	TUBING ASSY, COND COIL			
21	0202L00154	EVAP COIL TUBING ASSY			
31	0121L00313	BLOCKOFF-EVAPORATOR			
41	0121L00303	FILTER ANGLE-VERTICAL (HAIRPIN SIDE)			
51	0121L00287	FILTER ANGLE-VERTICAL (RETURN SIDE)			
61	0121L00932	FILTER ANGLE-HORIZONTAL (QTY 2)			
71	0121L01255	ANGLE-FILTER CENTER			
211	0121L00311	COND BLOCK-OFF			
221	0121L00939	CONDENSER BLOCKOFF PLATE			
231	0121L00238	DRAIN PAN SUPPORT			
241	0161L00005	DRAIN PAN			
251	0121L02123	CHANNEL-DECK SIDE			
261	0121L00254	COND MOUNTING ANGLE			
321	0163L00071	DRAIN PLUG			
331	0154L00009	DRAIN PAN GASKET			
451	0121L00288	ELECTRIC HEAT RETAINER			
461	0121L00144	ELECTRIC HEAT COVER			
471	0121L00256	ELECTRIC HEAT PANEL			
481	0121L03396	DECK-BLOWER			
491	A4568804	GROMMET-D (QTY 4)			
NS	0160L00173	AIR FILTER 14 X 20 X 2 (QTY 4)			
NS	0121L01377	BLOWER DECK SUPPORT (M2, M3, M8, M13, M17)			
NS	0121L00321	SMOKE DETECTOR COVER			

Expanded Model Nomenclature

- | |
|------------------------|
| M1 - DSC036XXX3BBXXAA |
| M2 - DSC036XXX3BFDXAA |
| M3 - DSC036XXX3BXDXAA |
| M4 - DSC036XXX3BXXXAA |
| M5 - DSC036XXX4BBXXAA |
| M6 - DSC036XXX4BFXAA |
| M7 - DSC036XXX4BRBWAA |
| M8 - DSC036XXX4BVDBAA |
| M9 - DSC036XXX4BXXBAA |
| M10 - DSC036XXX4BXXXAA |
| M11 - DSC036XXX7BXXXAA |
| M12 - DSC0360103BMXXAA |
| M13 - DSC0360104BHDXAA |
| M14 - DSC0360104BWXAAA |
| M15 - DSC0360154BHXBAA |
| M16 - DSC0360154BVXAAA |
| M17 - DSC0360157BBDAAA |

Belt Drive Blower Assembly

BLOWER HOUSING AND
MOTOR ASSEMBLY



MOUNTING PLATE ASSEMBLY

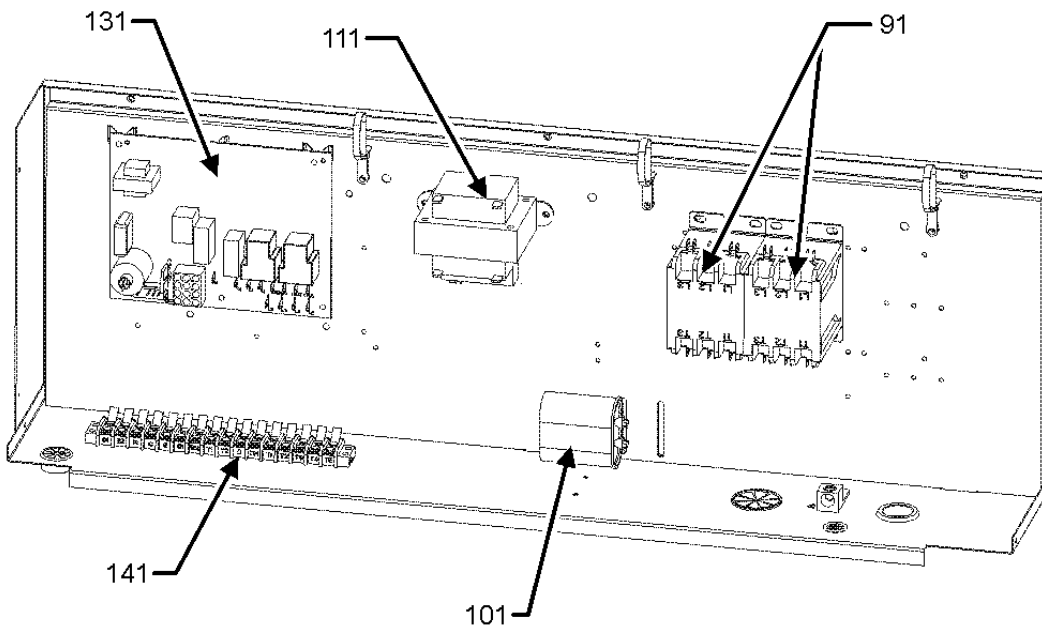
Belt Drive Blower Assembly

Ref. Part No:	Ref. Part No:	Description:	Description:
Image 1:			
11	0131L00003	BELT DRIVE MOTOR 1 HP (M1, M2, M3, M4, M5, M6, M7, M8, M9, M10, M12, M13, M14, M15, M16)	
11	0131L00004	BELT DRIVE MOTOR 1.5 HP 575V (M11, M17)	
21	0121L00297	BLOWER SIDE ANGLE (QTY 3)	
31	0121L01619	MOTOR BASE	
41	0121L00281	BLOWER MOUNTING ANGLE	
51	0163L00005	SHAFT-BLOWER BELT DRIVE	
61	2539302F	BLOWER HOUSING 11 X 10	
71	B3201300	MOUNTING BRACKET BEARING (QTY 2)	
81	B1368056	BELT DRIVE BLOWER WHEEL	
91	0163L00138	SHEAVE, FIXED AK61H	
101	0163M00407	MACHINE KEY, SPECIAL	
111	0163L00247	BEARING, BALL, MOUNTED (QTY 2)	
121	0164L00000	NOTCHED FAN BELT AX51	
131	B2120000	VARIABLE PITCH SHEAVE 3.15"	
151	B1393726	ELECT. CONNECTING BUSHING	
161	B1393738	BOLT 1/4-20 X 3/4" (QTY 4)	
171	0163M00045	BOLT 1/4-20 X 4"	
181	3225000F	BELT TIGHTENER ANGLE	
191	B1393023	NUT / LOCK .25-20	
NS	1864703	BLOWER CUT-OFF ASM,5TON,MORRIS	
NS	B1398603	STEEL KEY (000158812) 4.5"	

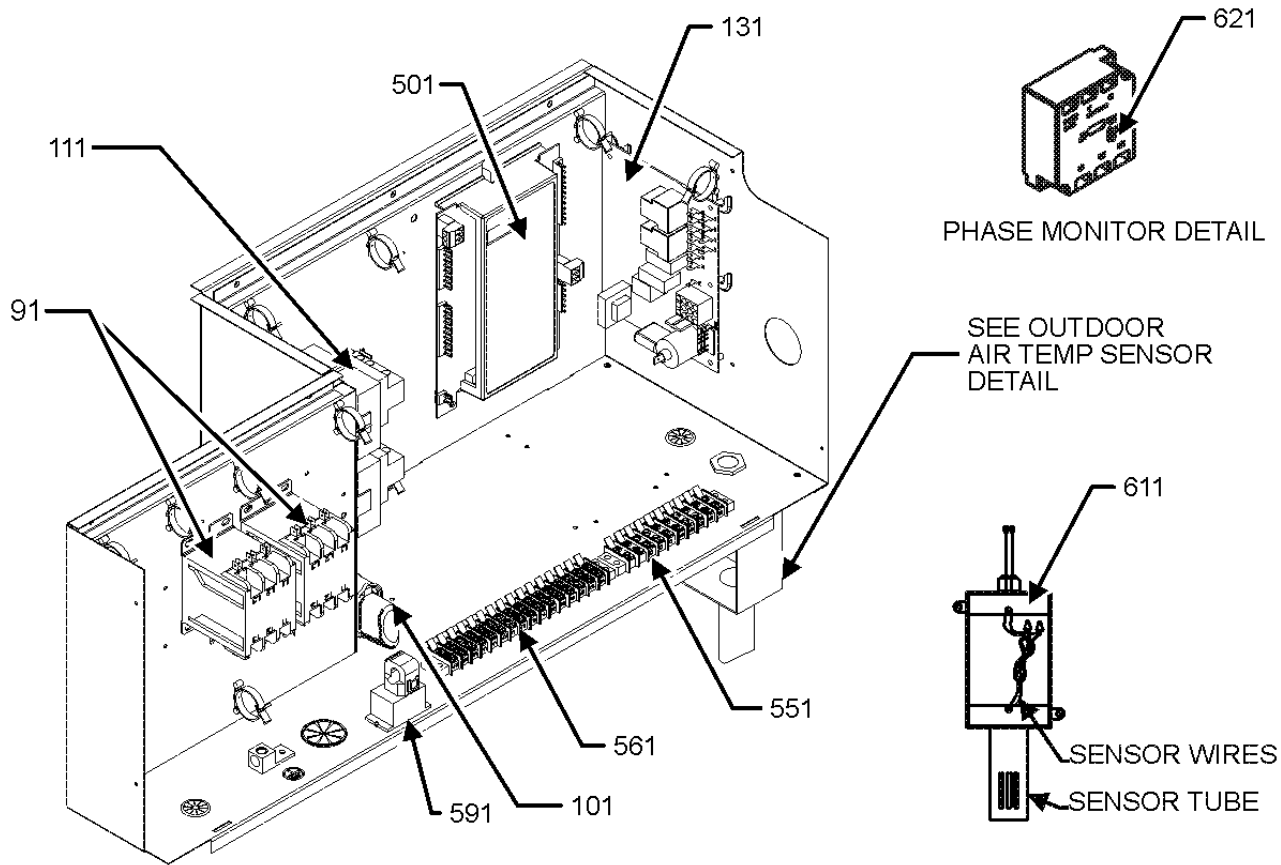
Expanded Model Nomenclature

M1 - DSC036XXX3BBXXAA
M2 - DSC036XXX3BFDXAA
M3 - DSC036XXX3BXDXAA
M4 - DSC036XXX3BXXXAA
M5 - DSC036XXX4BBXXAA
M6 - DSC036XXX4BFXXAA
M7 - DSC036XXX4BRBWAA
M8 - DSC036XXX4BVDBAA
M9 - DSC036XXX4BXXBAA
M10 - DSC036XXX4BXXXAA
M11 - DSC036XXX7BXXXAA
M12 - DSC0360103BMXXAA
M13 - DSC0360104BHDXAA
M14 - DSC0360104BWXAAA
M15 - DSC0360154BHXBAA
M16 - DSC0360154BVXAAA
M17 - DSC0360157BBDAAA

Control Box Assembly



CONTROL BOX FOR MODELS WITH DDC CONTROL



PHASE MONITOR DETAIL

SEE OUTDOOR AIR TEMP SENSOR DETAIL

FRONT VIEW

OUTDOOR AIR TEMP SENSOR DETAIL

Control Box Assembly

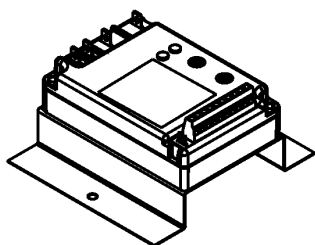
Ref. Part No:	Ref. Part No:	Description:	Description:
Image 1:		Expanded Model Nomenclature	
91	CONT3P025024V	CONTACTOR 25 AMP, 3P, 24V (M5, M6, M7, M8, M9, M10, M11, M13, M14, M15, M16, M17)	M1 - DSC036XXX3BBXXAA M2 - DSC036XXX3BFDXAA M3 - DSC036XXX3BXDXAA M4 - DSC036XXX3BXXAA M5 - DSC036XXX4BBXXAA M6 - DSC036XXX4BFXAA M7 - DSC036XXX4BRBWAA M8 - DSC036XXX4BVDAAA M9 - DSC036XXX4BXXBAA M10 - DSC036XXX4BXXAA M11 - DSC036XXX7BXXAA M12 - DSC0360103BMXXAA M13 - DSC0360104BHDAAA M14 - DSC0360104BWAAAA M15 - DSC0360154BHXBAA M16 - DSC0360154BVAAAA M17 - DSC0360157BBDAAA
91	CONT3P030024V	CONTACTOR 30 AMP, 3P, 24V (M1, M2, M3, M4, M12)	
101	CAP075000440LA	CAP 7.5 MFD/440V/OVAL (M8, M9, M10, M13, M14, M15, M16)	
101	CAP050000370LA	CAP, 5 MFD/370V/OVAL (M1, M2)	
101	CAP030000440LA	CAPACITOR 3/440V (M11, M17)	
101	CAP050000440LA	CAPACITOR 5/440V (M3, M4, M12)	
101	CAP075000370LA	CAPACITOR 7.5/370V (M5, M6, M7)	
111	0130M00138	TRANSFORMER 208/230, 24V (M1, M2, M3, M4, M12)	
111	0130M00595	TRANSFORMER, 75VA, 480V TO 24V (M5, M6, M7, M8, M9, M10, M13, M14, M15, M16)	
111	0130M00598	TRANSFORMER, 75VA, 575V TO 24V (M11, M17)	
131	PCBFM103	ELECTRONIC BLOWER TIME DELAY	
141	0130M00038	TERMINAL BOARD	
501	PCBCG103	PCB, CONTROL, HP, GAS ,AC (M1, M2, M5, M6, M7, M12, M17)	
551	0130M00274	TERMINAL BOARD (M1, M2, M5, M6, M7, M12, M17)	
561	0130M00275	TERMINAL BOARD (M1, M2, M5, M6, M7, M12, M17)	
591	0259L00368	CURRENT SWITCH WITH TERMS (M1, M2, M5, M6, M7, M12, M17)	
611	0130L00108	OD Air Temp Sensor (M1, M2, M5, M6, M7, M12, M17)	
621	0130L00105	PHASE MONITOR (M7)	
NS	20520901	CAPACITOR STRAP	
NS	0130L00112	Duct Temp Sensor (M1, M2, M5, M6, M7, M12, M17)	
NS	0259L00178	HARNESS, ECONOMIZER	
NS	0130L00107	ROOM SENSOR (M1, M2, M5, M6, M7, M12, M17)	
NS	0259L00427	WIRE ASSY (M7)	
NS	0259L00428	WIRE ASSY (M7)	
NS	0259L00500	WIRE HARNESS (M7)	
NS	0259L00054	WIRING HARNESS	
NS	0259L00061	WIRING HARNESS	
NS	0259L00064	WIRING HARNESS	
NS	0259L00065	WIRING HARNESS	

Accessory Parts List

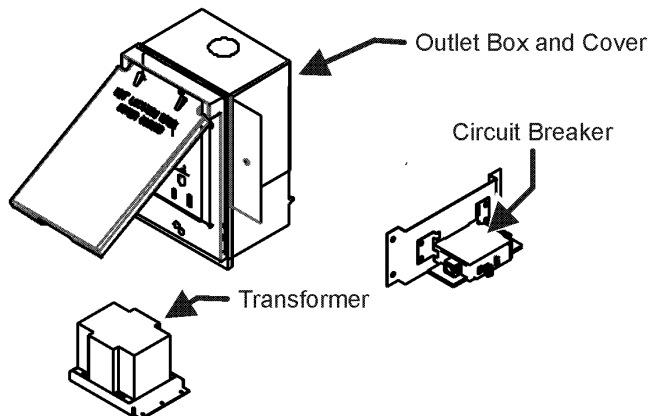
ACCESSORY PARTS LIST

NOTE: NOT ALL OPTIONS AVAILABLE FOR ALL PRODUCTS

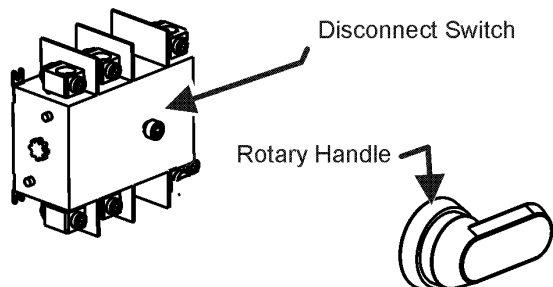
1 LOW AMBIENT KITS



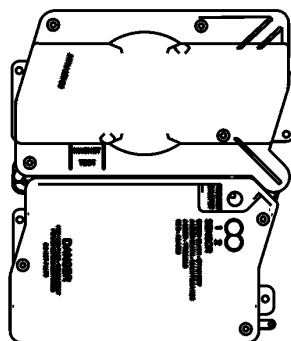
2 GFCI CONVENIENCE OUTLET



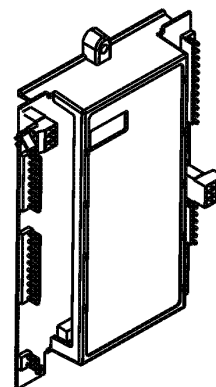
3 DISCONNECT MODULE (NON-FUSED)



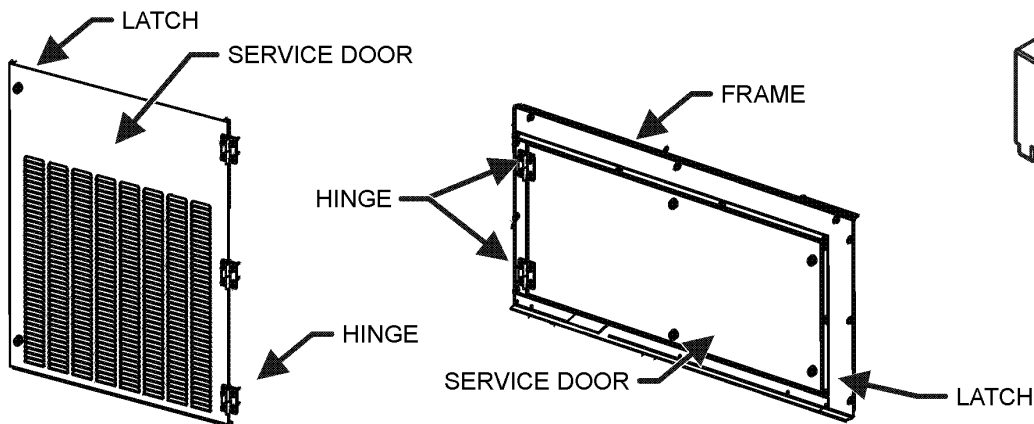
4 SMOKE DETECTORS



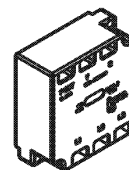
5 DDC CONTROL



6 HINGED DOOR ASSEMBLIES



7 PHASE MONITOR



Accessory Parts List

Ref. Part No:	Description:	Ref. Part No:	Description:
Image 1:		Expanded Model Nomenclature	
NS EHK4-10	10 KW 460/3 ELECTRIC HEAT (M13, M14)	M1 - DSC036XXX3BBXXAA	
NS EHK4-15	15 KW 460/3 (M15, M16)	M2 - DSC036XXX3BFDXAA	
NS EHK7-15	15 KW 575/3 ELECTRIC HEAT (M17)	M3 - DSC036XXX3BXDXAA	
NS DDNECNJ3672C	3-6 TON DFLOW ECONOMIZER (M8, M14, M16)	M4 - DSC036XXX3BXXAA	
NS 10366D09C	3-6 TON DFLOW ECONOMIZER, DDC (M2, M6,	M5 - DSC036XXX4BBXXAA	
NS 0121L01934	BRACKET SMOKE DETECTOR (M7)	M6 - DSC036XXX4BFXAA	
NS 0121L00316	BRACKET-CONV OUTLET MOUNT (M8, M9, M14, M15, M16, M17)	M7 - DSC036XXX4BRBWAA	
NS 0121L00835	BRACKET-DISCONNECT SWITCH (M7, M12, M13, M14, M15)	M8 - DSC036XXX4BVDBAA	
NS 0130M00065	CIRCUIT BREAKER, CONVENIENCE OUTLET (M8, M9, M15)	M9 - DSC036XXX4BXXBAA	
NS 0121L00837NG	DISCONNECT COVER (M7, M12, M13, M14, M15)	M10 - DSC036XXX4BXXAA	
NS 0130L00012	GANG BOX-GFCI OUTLET (M8, M9, M14, M15, M16, M17)	M11 - DSC036XXX7BXXAA	
NS 0130L00039	HANDLE, ROTARY (M7, M12, M13, M14, M15)	M12 - DSC0360103BMXXAA	
NS 0163M00307	HINGE, LEFT HAND (M2, M3, M8, M13, M17)	M13 - DSC0360104BHDXAA	
NS 0163M00308	HINGE, RIGHT HAND (M2, M3, M8, M13, M17)	M14 - DSC0360104BWXAAA	
NS 0163M00360	LATCH (M2, M3, M8, M13, M17)	M15 - DSC0360154BHXBAA	
NS 0130M00058	LOW AMBIENT KIT (M7)	M16 - DSC0360154BVXAAA	
NS 0121L02509NG	PNT, BLOWER FRAME (M2, M3, M8, M13, M17)	M17 - DSC0360157BBDAAA	
NS 0161G00012	POWER OUTLET BOX (M8, M9, M14, M15, M16, M17)		
NS 0130L00103	RECEPTACLE-GFCI OUTLET (M8, M9, M14, M15, M16, M17)		
NS 0121L02527NG	SERVICE DOOR BACK , BLOWER (M2, M3, M8, M13, M17)		
NS 0121L02526NG	SERVICE DOOR FRONT, BLOWER (M2, M3, M8, M13, M17)		
NS 0130L00042	SHAFT, CUT (M7, M12, M13, M14, M15)		
NS 0130L00049	SHAFT, DISCONNECT (M7, M12, M13, M14, M15)		
NS D4120	SMOKE DETECTOR, PHOTO 4WIRE (M7)		
NS 0130L00046	SWITCH-DISCONNECT 60A (M7, M12, M13, M14, M15)		
NS 0130M00061	TRANSFORMER , CONVENIENCE OUTLET (M8, M9, M15)		