

Commercial 3 Ton Direct Drive Package Cooling Units

DSC0360101DFDMAA
DSC0360103DHDBAA
DSC036XXX1DRXFAA
DSC036XXX1DXXXAA
DSC036XXX3DXXBAA
DSC036XXX3DXXXAA



This manual is to be used by qualified technicians only.

This manual replaces RP-D1119C.

Important Information

Index

Functional Parts List	3
Illustration and Parts	4 - 15

Views shown are for parts illustrations only, not servicing procedures

Text Codes:

AR - As Required

NA - Not Available

NS - Not Shown

00000000 - See Note

QTY - Quantity Example (QTY 3) (If Quantity not shown, Quantity = 1)

M - Model Example (M1) (If M Code not shown, then part is used on all Models)

Expanded Model Nomenclature:

Example M1 - Model#1 M2 - Model#2 M3 - Model#3

Daikin Company, L.P. is not responsible for personal injury or property damage resulting from improper service. Review all service information before beginning repairs.

Warranty service must be performed by an authorized technician, using authorized factory parts. If service is required after the warranty expires, Daikin Company, L.P. also recommends contacting an authorized technician and using authorized factory parts.

Daikin Company, L.P. reserves the right to discontinue, or change at any time, specifications or designs without notice or without incurring obligations.

For assistance within the U.S.A. contact:

Equipment Support
Daikin North America, LLC
19001 Kermier Road
Waller, Texas 77484
855-770-5678-Telephone
713-863-2382-Facsimile

For assistance outside the U.S.A. contact:

International Division
Daikin North America, LLC
19001 Kermier Road
Waller, Texas 77484
713-861-2500-Telephone
713-863-2382-Facsimile

Functional Parts

Part

No: **Description:**

0131M00126	BLOWER MOTOR
D6723303	BLOWER WHEEL
CAP100450440CS	CAP, 10/45 MFD/ 440V DUAL RD (M1, M5)
ZP31K5EPFV130	COMPRESSOR 31100, 208/230/60/1 (M1, M2, M5)
ZP31K5ETF5130	COMPRESSOR 31200, 200/230/60/3 (M3, M4, M6)
CONT3P025024V	CONTACTOR 25 AMP, 3P, 24V (M3, M4, M6)
CONT1P030024V	CONTACTOR 30 AMP, 1P, 24V (M1, M2, M5)
CONT2P040024V	CONTACTOR 40 AMP, 2P, 24V (M1, M5)
0130M00209	CUT-OUT SWITCH, HIGH PRESSURE
0130L00007	CUT-OUT SWITCH, LOW PRESSURE
0150G00004	FAN BLADE
0131M00837	MOTOR, 1/4 HP, OD
PCBFM103	PCB, TIME DELAY, EBTDR
0130M00025	RELAY, SPDT
0130M00138	TRANSFOMER, 208/230, 24V (QTY 2)

Expanded Model Nomenclature

M1 - DSC036XXX1DRXFAA
M2 - DSC036XXX1DXXXAA
M3 - DSC036XXX3DXXBAA
M4 - DSC036XXX3DXXXAA
M5 - DSC0360101DFDMAA
M6 - DSC0360103DHDBAA

Top Panel and Tubing Assembly

IMAGE 1

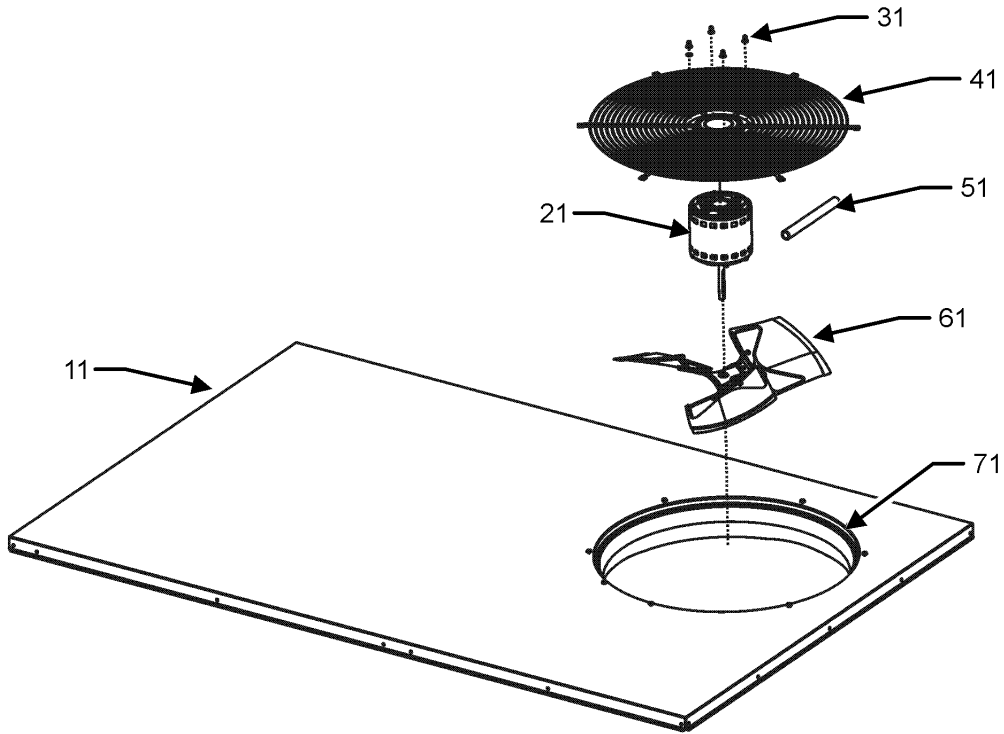
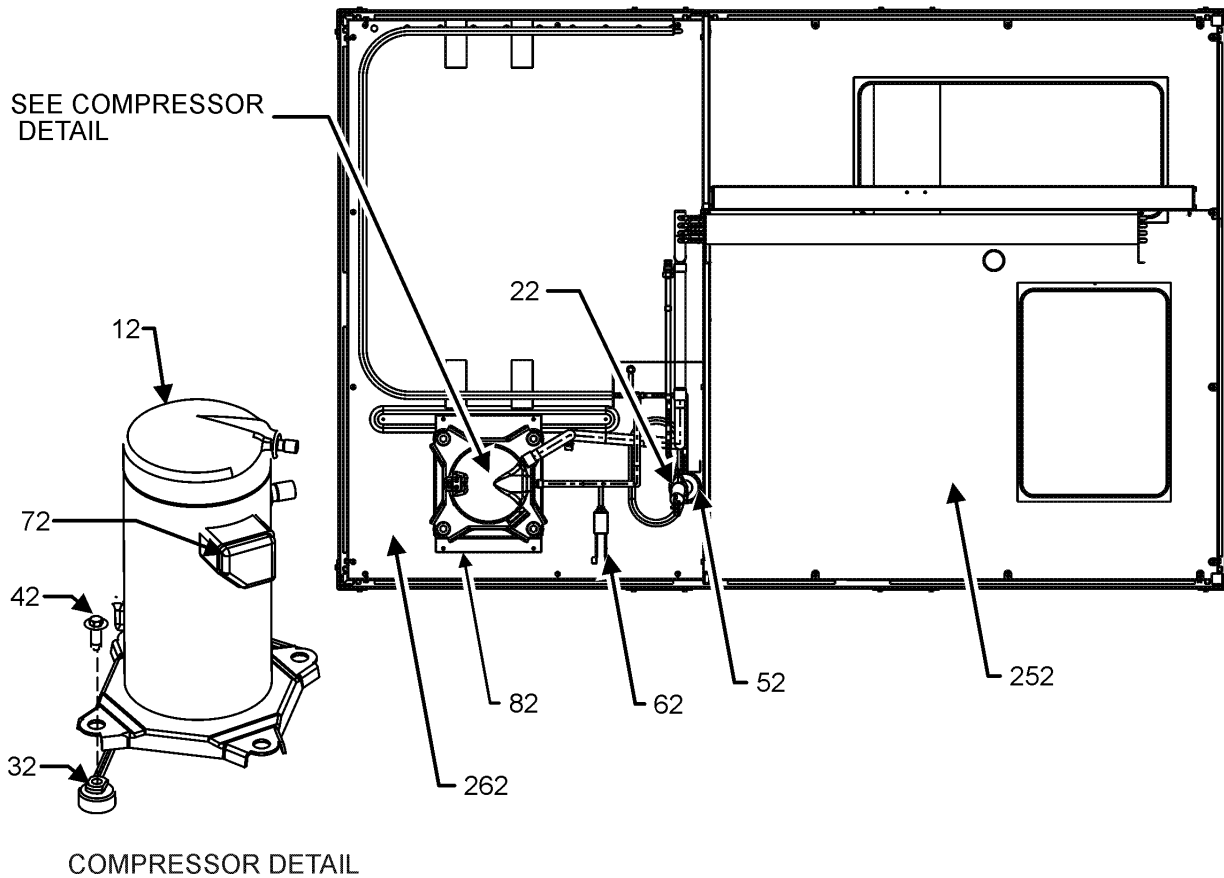


IMAGE 2



Top Panel and Tubing Assembly

Ref. Part No: No:	Description:	Ref. Part No: No:	Description:
-------------------	--------------	-------------------	--------------

Image 1:

11	0121L00235NG	TOP PANEL
21	0131M00837	MOTOR, 1/4 HP, OD
31	0163M00006P	ACORN NUT 5/16 HEX BLACK (QTY 4)
41	0152G00000	FAN GRILLE, RAISED
51	17788000083F	PVC CONDUIT 8.25"
61	0150G00004	FAN BLADE
71	0161L00000	VENTURI RING 22"
NS	0163M00004	SCREW #10X3/4", BLACK (QTY 18)
NS	0163M00005P	WASHER, BLACK (.50 OD .218ID) (QTY 4)

Image 2:

12	ZP31K5EPFV130	COMPRESSOR 31100, 208/230/60/1 (M1, M2, M5)
12	ZP31K5ETF5130	COMPRESSOR 31200, 200/230/60/3 (M3, M4, M6)
22	0130L00007	CUT-OUT SWITCH, LOW PRESSURE
32	B1339533	COMPRESSOR GROMMET (QTY 4)
42	M0221641	TF SHOULDER SCREW (QTY 4)
52	B1219225	SINGLE-FLOW FILTER DRIER, STEEL
62	0130M00209	CUT-OUT SWITCH, HIGH PRESSURE
72	0159L00027	COMPRESSOR SCROLL HARNESS (M1, M2, M5)
72	0159L00065	COMPRESSOR SCROLL HARNESS (M3, M4, M6)
82	0121L00310	COMPRESSOR MOUNTING PLATE
252	0121L02619	BASE PAN, INDOOR
262	0121L01990	BASE PAN - OUTDOOR

Expanded Model Nomenclature

M1 - DSC036XXX1DRXFAA
M2 - DSC036XXX1DXXXAA
M3 - DSC036XXX3DXXBAA
M4 - DSC036XXX3DXXXAA
M5 - DSC0360101DFDMAA
M6 - DSC0360103DHDBAA

Cabinet Assembly

IMAGE 1

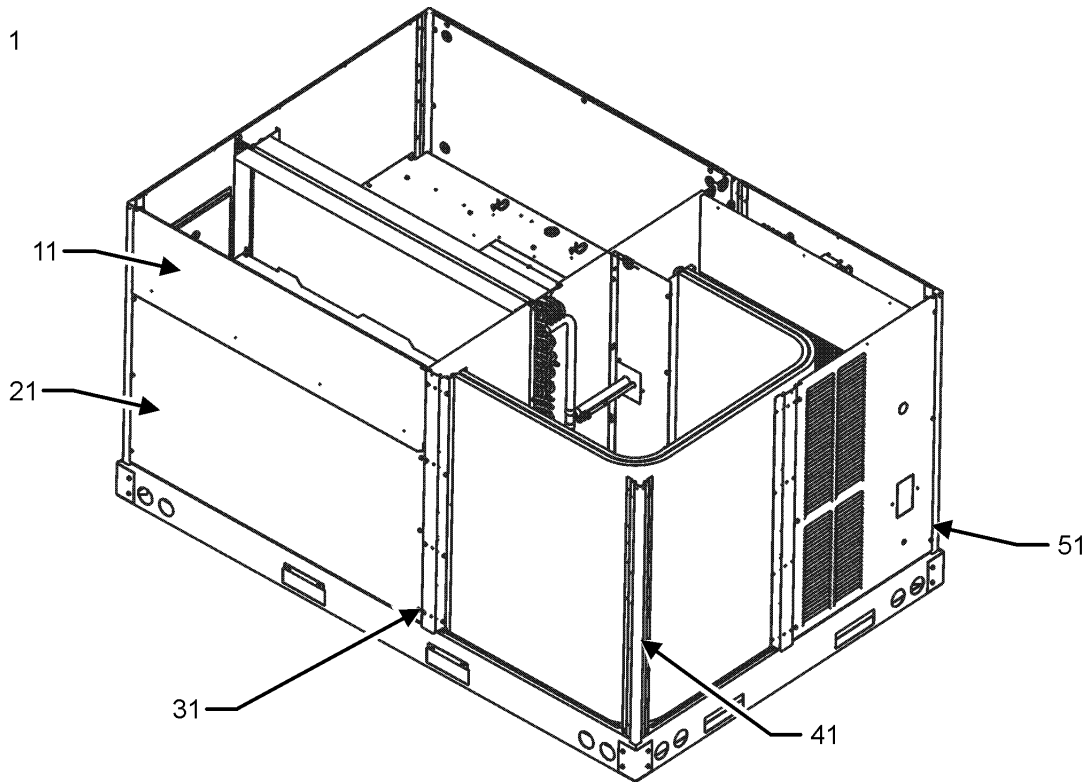
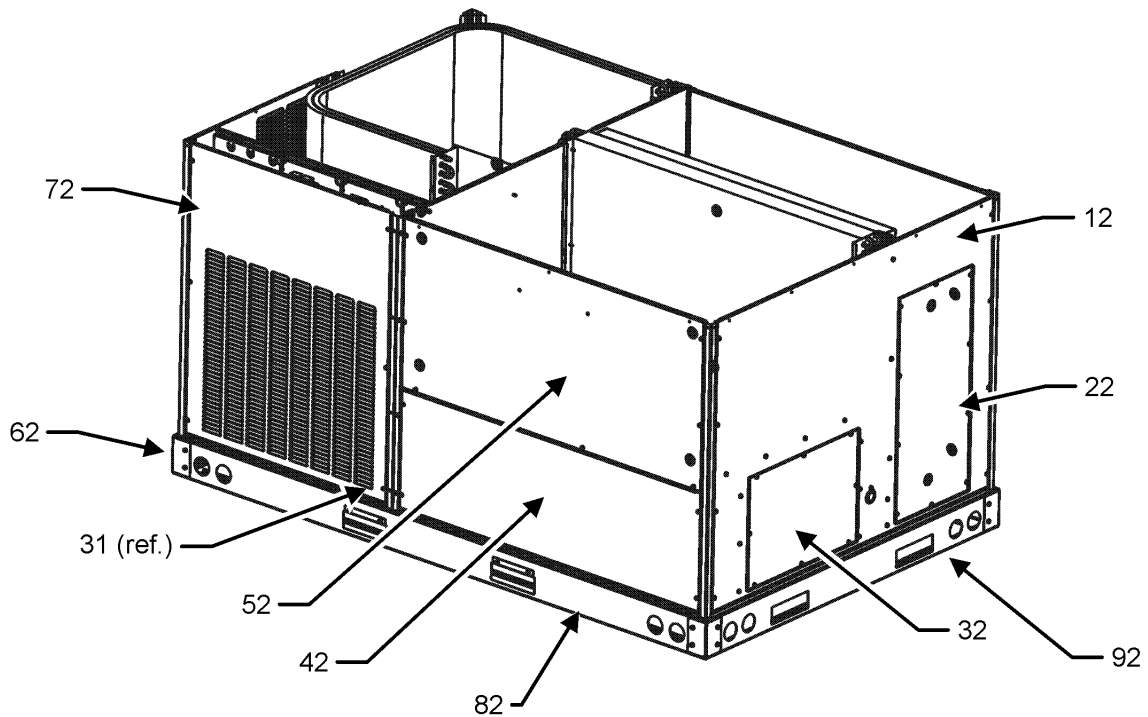


IMAGE 2



Cabinet Assembly

Ref. Part No:	Part No:	Description:	Ref. Part No:	Part No:	Description:
---------------	----------	--------------	---------------	----------	--------------

Image 1:

11	0270L00362NG	FILTER DOOR			
21	0121L00976NG	ECONOMIZER DOOR (M2, M3, M4, M6)			
31	0121L00233RFNG	POST-SIDE SUPPORT (QTY 2)			
41	0121L00237RFNG	CORNER POST (QTY 4)			
41	0121L02553RFNG	PNT, CORNER POST (M5, M6)			
51	0121L00263NG	LOUVERED COMPRESSOR PANEL (M2, M3, M4, M5, M6)			
51	0121L00836NG	LOUVERED COMPRESSOR PANEL (M1)			
NS	0121L01309	ECONOMIZER COVER (M1, M5)			
NS	0121L02655	END RAIL			
NS	0164L00009	GASKET-RUBBER, CPOST (QTY 3)			
NS	0164L00011	GASKET-RUBBER, SIDE POST (QTY 2)			
NS	0121L01159RFNG	POST-SIDE SUPPORT (M1, M2, M3, M4)			
NS	0121L01374RFNG	POST-SIDE SUPPORT (M5, M6)			

Image 2:

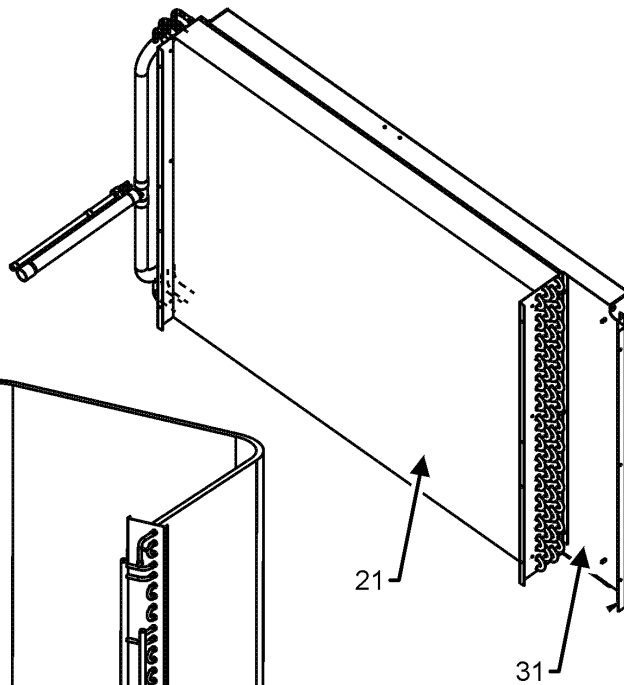
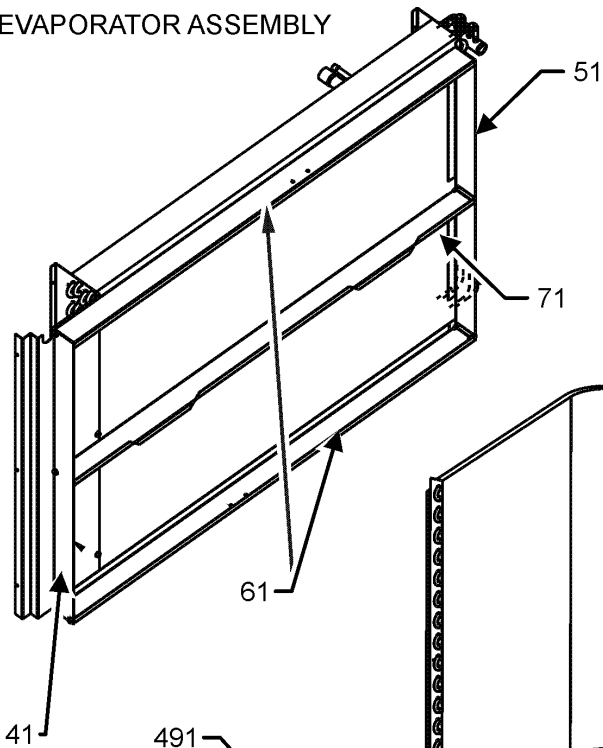
12	0121L00236NG	DUCT PANEL			
22	0121L00023NG	RETURN DUCT COVER			
32	0121L00024NG	SUPPLY DUCT COVER			
42	0121L01176NG	ELECTRIC HEAT DOOR			
52	0121L01157NG	BLOWER DOOR			
62	0121G00301	RAIL CORNER BRACKET (QTY 4)			
72	0121L01121NG	LOUVERED CONTROL PANEL			
82	0121L00244RF	SIDE RAIL (QTY 2)			
92	0121L00245	END RAIL			
NS	0141L00003X	FORK BOARD (QTY 2)			
NS	0121L00055	FORK BOARD BRACKET (QTY 4)			

Expanded Model Nomenclature

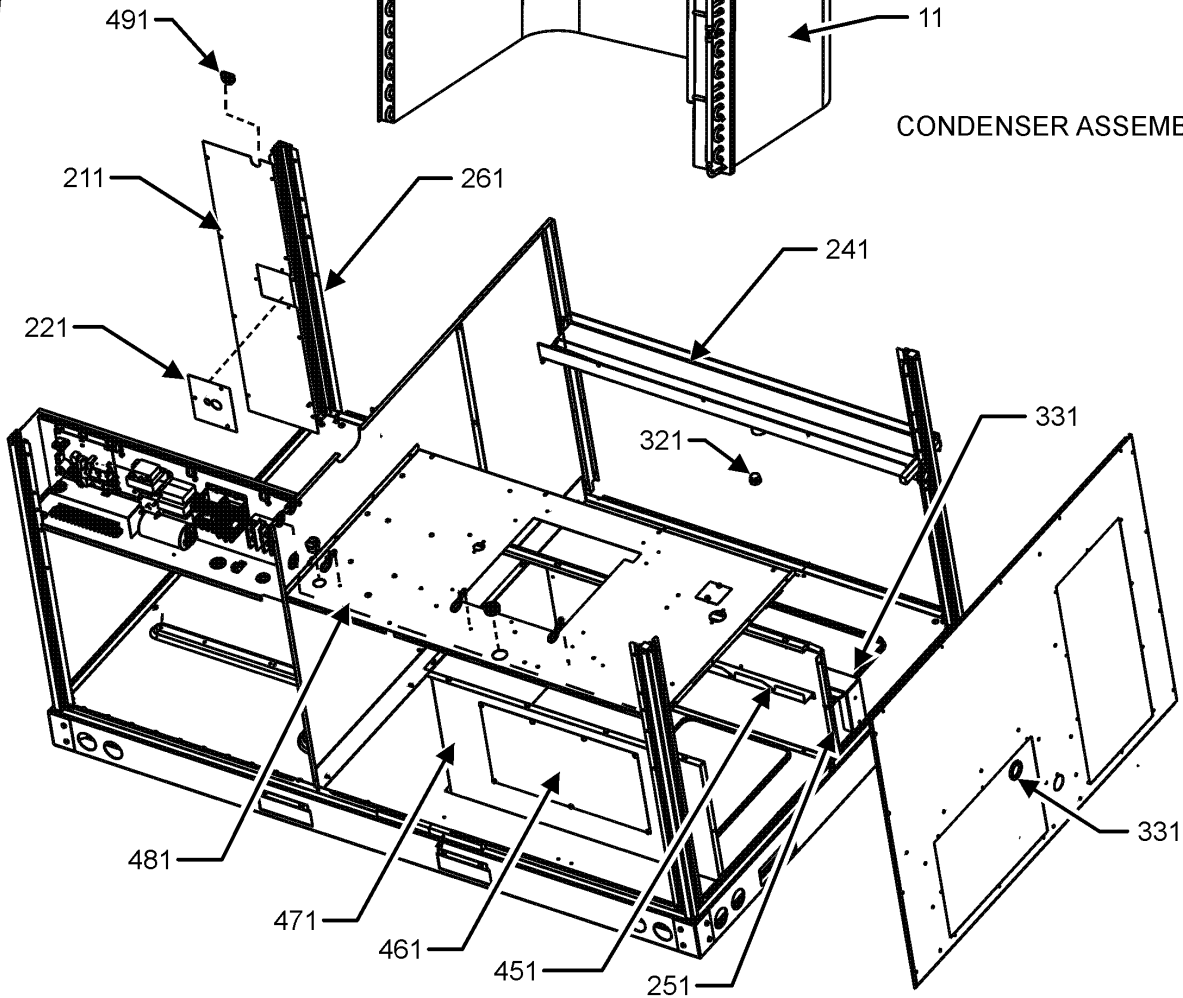
M1 - DSC036XXX1DRXFAA
M2 - DSC036XXX1DXXXAA
M3 - DSC036XXX3DXXBAA
M4 - DSC036XXX3DXXXAA
M5 - DSC0360101DFDMAA
M6 - DSC0360103DHDBAA

Condenser, Evaporator and Partition Assy

EVAPORATOR ASSEMBLY



CONDENSER ASSEMBLY



Condenser, Evaporator and Partition Assy

Ref. Part No:	Part No:	Description:	Ref. Part No:	Part No:	Description:
---------------	----------	--------------	---------------	----------	--------------

Image 1:

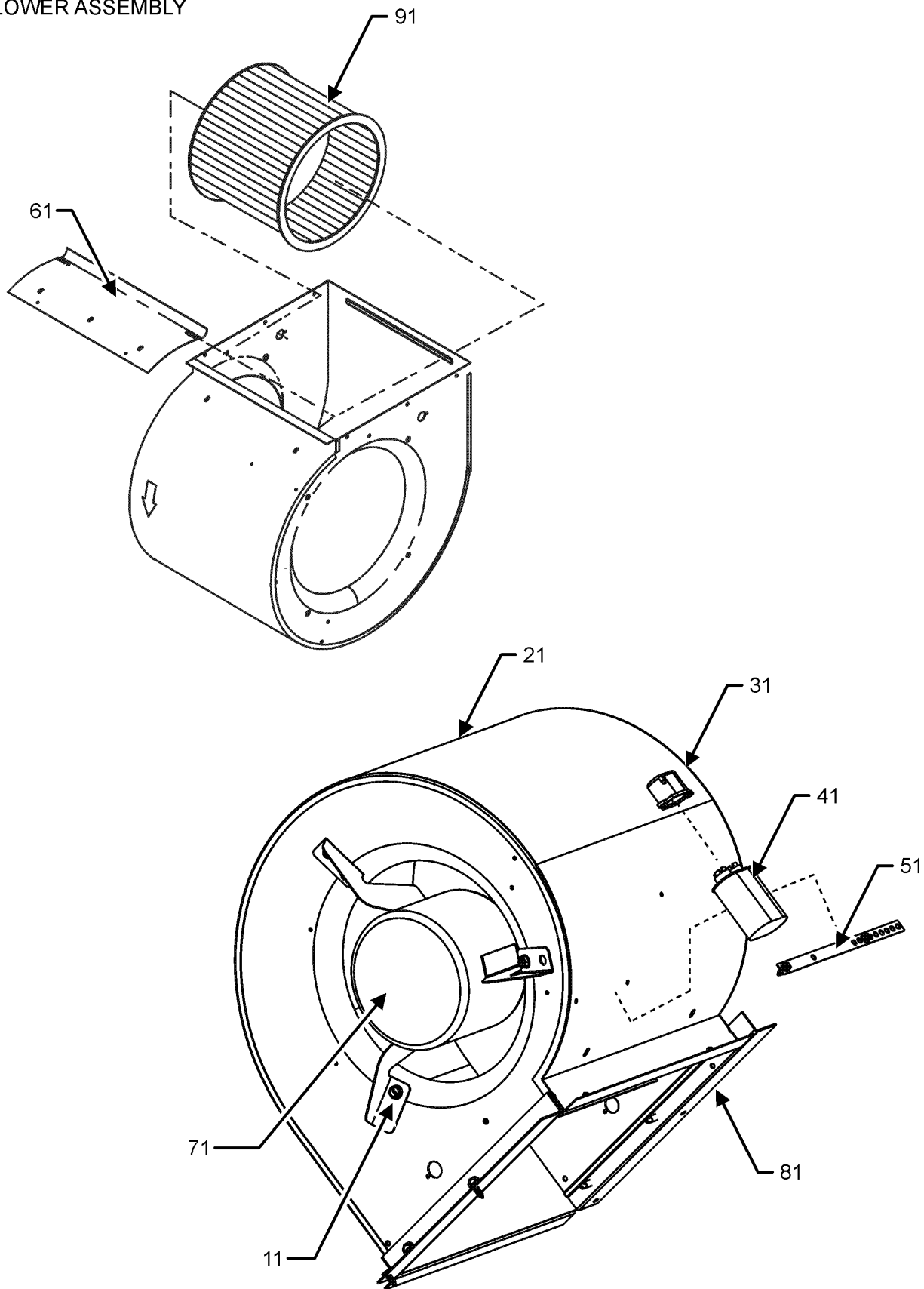
11	0201L00036	TUBING ASSY, COND COIL
21	0202L00154	EVAP COIL TUBING ASSY
31	0121L00313	BLOCKOFF-EVAPORATOR
41	0121L00303	FILTER ANGLE-VERTICAL (HAIRPIN SIDE)
51	0121L00287	FILTER ANGLE-VERTICAL (RETURN SIDE)
61	0121L00932	FILTER ANGLE-HORIZONTAL (QTY 2)
71	0121L01255	ANGLE-FILTER CENTER
211	0121L00311	COND BLOCK-OFF
221	0121L00939	CONDENSER BLOCKOFF PLATE
231	0121L00238	DRAIN PAN SUPPORT
241	0161L00005	DRAIN PAN
251	0121L02123	CHANNEL-DECK SIDE
261	0121L00254	COND MOUNTING ANGLE
321	0163L00071	DRAIN PLUG
331	0154L00009	DRAIN PAN GASKET
451	0121L00288	ELECTRIC HEAT RETAINER
461	0121L00144	ELECTRIC HEAT COVER
471	0121L00256	ELECTRIC HEAT PANEL
481	0121L01575	BLOWER DECK
491	A4568804	GROMMET-D (QTY 4)
NS	0160L00173	AIR FILTER 14 X 20 X 2 (QTY 4)
NS	0121L00321	SMOKE DETECTOR COVER

Expanded Model Nomenclature

M1 - DSC036XXX1DRXFAA
M2 - DSC036XXX1DXXXAA
M3 - DSC036XXX3DXXBAA
M4 - DSC036XXX3DXXXAA
M5 - DSC0360101DFDMAA
M6 - DSC0360103DHDBAA

Blower Assembly

BLOWER ASSEMBLY



Blower Assembly

Ref. Part No:	No:	Description:	Ref. Part No:	No:	Description:
---------------	-----	--------------	---------------	-----	--------------

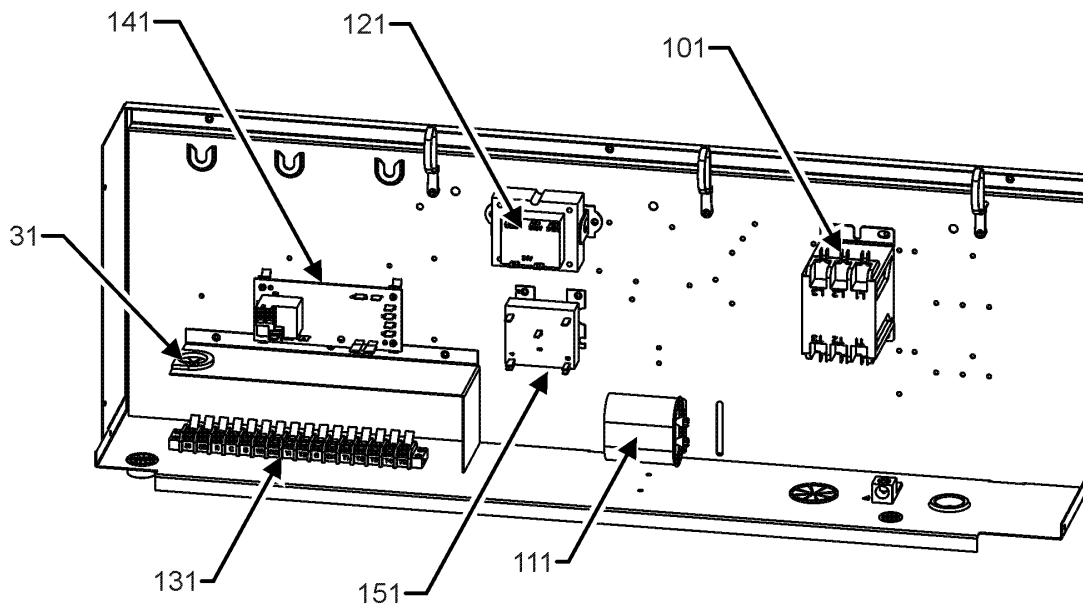
Image 1:

11	M0250558	TC SCREW (QTY 3)
21	11185817	HSG WELD-BLWR FUR
31	B821700	CAPACITOR BOOT
41	CAP100000370LA	CAP, 10 MFD/370V/OVAL
51	20520901	CAPACITOR STRAP
61	C6121806	BLOWER CUT-OFF
71	0131M00126	BLOWER MOTOR
81	0121L00308	BLOWER MOUNTING ANGLE
91	D6723303	BLOWER WHEEL

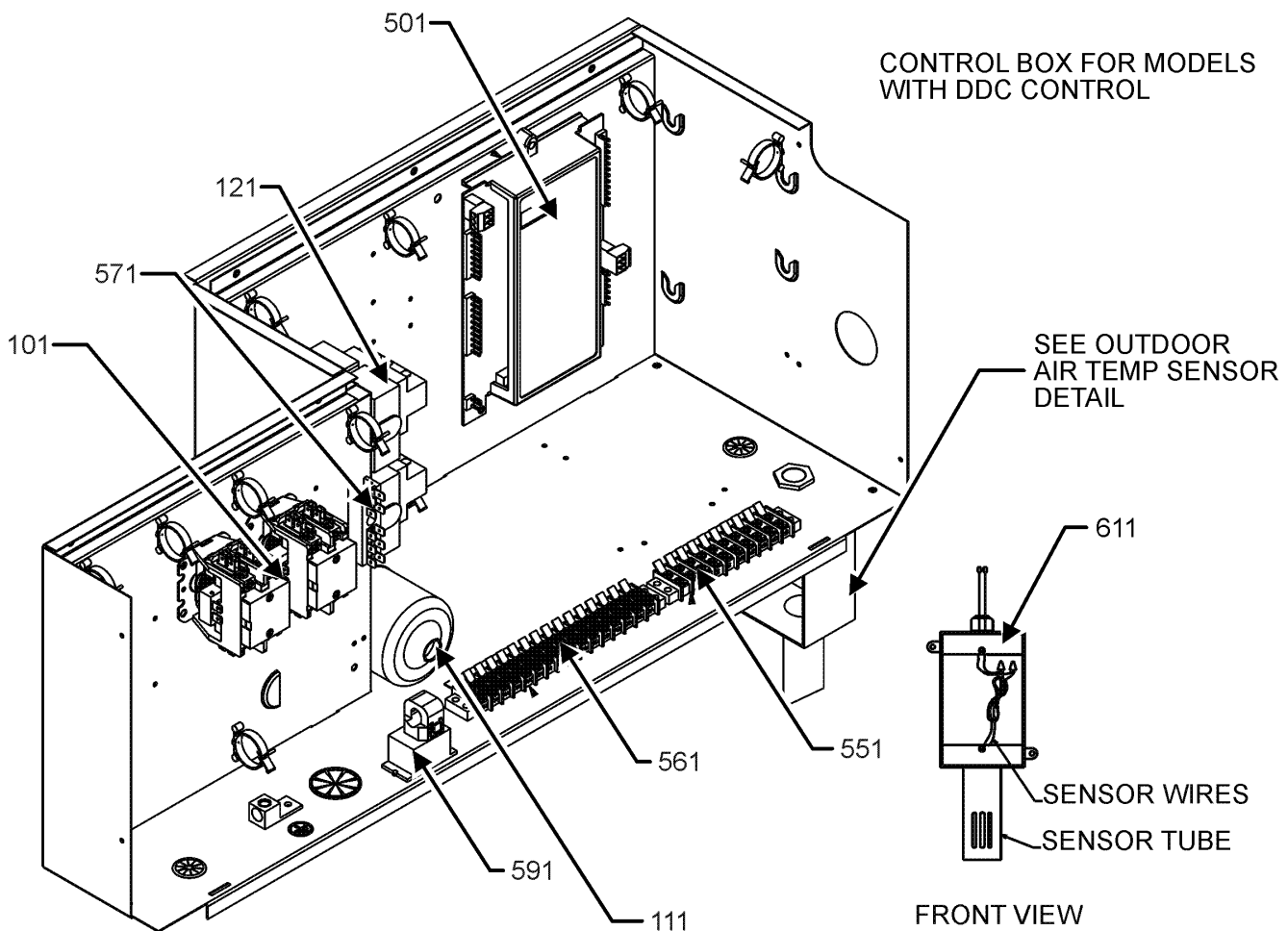
Expanded Model Nomenclature

M1 - DSC036XXX1DRXFAA
M2 - DSC036XXX1DXXXAA
M3 - DSC036XXX3DXXBAA
M4 - DSC036XXX3DXXXAA
M5 - DSC0360101DFDMAA
M6 - DSC0360103DHDBAA

Control Box Assembly



CONTROL BOX FOR MODELS WITH DDC CONTROL



FRONT VIEW

OUTDOOR AIR TEMP SENSOR DETAIL

Control Box Assembly

Ref. Part No:	Part No:	Description:	Ref. Part No:	Part No:	Description:
---------------	----------	--------------	---------------	----------	--------------

Image 1:

31	0121L00307	VOLTAGE BARRIER			
101	CONT3P025024V	CONTACTOR 25 AMP, 3P, 24V (M3, M4, M6)			
101	CONT1P030024V	CONTACTOR 30 AMP, 1P, 24V (M1, M2, M5)			
101	CONT2P040024V	CONTACTOR 40 AMP, 2P, 24V (M1, M5)			
111	CAP100000370LA	CAP, 10 MFD/370V/OVAL			
111	CAP100450440CS	CAP, 10/45 MFD/ 440V DUAL RD (M1, M5)			
121	0130M00138	TRANSFOMER, 208/230, 24V (QTY 2)			
131	0130M00038	TERMINAL BOARD			
141	PCBFM103	PCB, TIME DELAY, EBTDR			
151	0130M00025	RELAY, SPDT			
501	PCBCG100	DDC Controller (M1, M5)			
551	0130M00274	TERMINAL BOARD (M1, M5)			
561	0130M00275	TERMINAL BOARD (M1, M5)			
571	802007090	TERM BOARD (M1, M5)			
591	0259L00368	CURRENT SWITCH WITH TERMS (M1, M5)			
611	0130L00108	OD Air Temp Sensor (M1, M5)			
NS	0164M00079	BOOT-CAPACITOR, ROUND (M1, M5)			
NS	0130L00112	Duct Temp Sensor (M1, M5)			
NS	0259L00178	HARNESS, ECONOMIZER			
NS	0259L00178	HARNESS-ECONOMIZER			
NS	0130L00107	ROOM SENSOR (M1, M5)			
NS	0259L00061	WIRE HARNESS			
NS	0259L00080	WIRE HARNESS-CONTROL			
NS	0259L00080	WIRE HARNESS-CONTROL			
NS	0259L00079	WIRE HARNESS-EVAP MOTOR (M1, M5)			
NS	0259L00079	WIRE HARNESS-EVAP MOTOR (M1, M5)			
NS	0259L00054	WIRING HARNESS (M1, M5)			
NS	0259L00054	WIRING HARNESS (M1, M5)			
NS	0259L00061	WIRING HARNESS			

Expanded Model Nomenclature

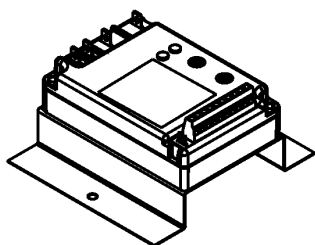
- | |
|-----------------------|
| M1 - DSC036XXX1DRXFAA |
| M2 - DSC036XXX1DXXXAA |
| M3 - DSC036XXX3DXXBAA |
| M4 - DSC036XXX3DXXXAA |
| M5 - DSC0360101DFDMAA |
| M6 - DSC0360103DHDBAA |

Accessory Parts List

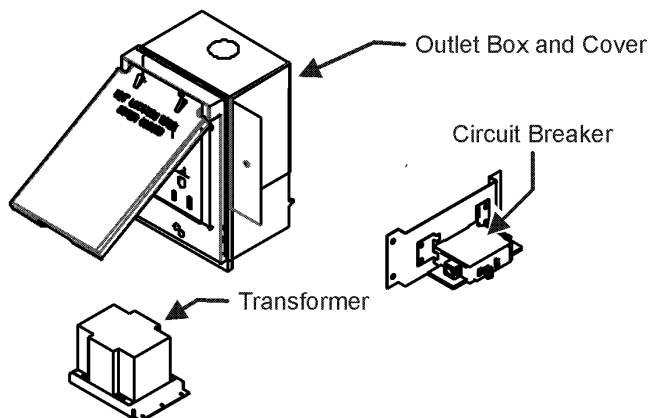
ACCESSORY PARTS LIST

NOTE: NOT ALL OPTIONS AVAILABLE FOR ALL PRODUCTS

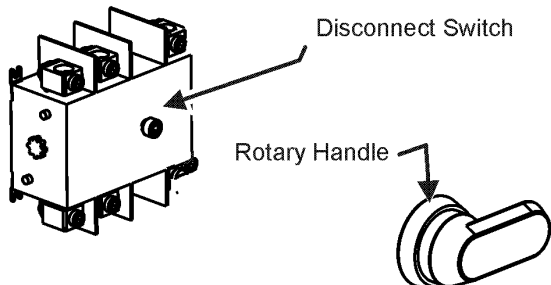
1 LOW AMBIENT KITS



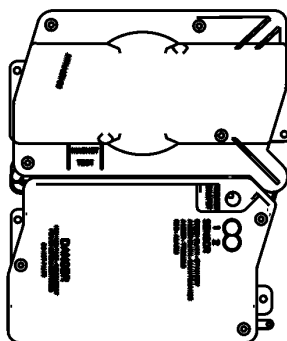
2 GFCI CONVENIENCE OUTLET



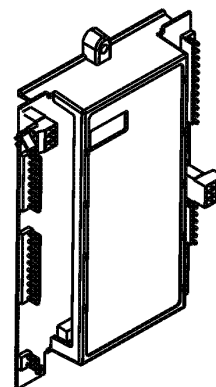
3 DISCONNECT MODULE (NON-FUSED)



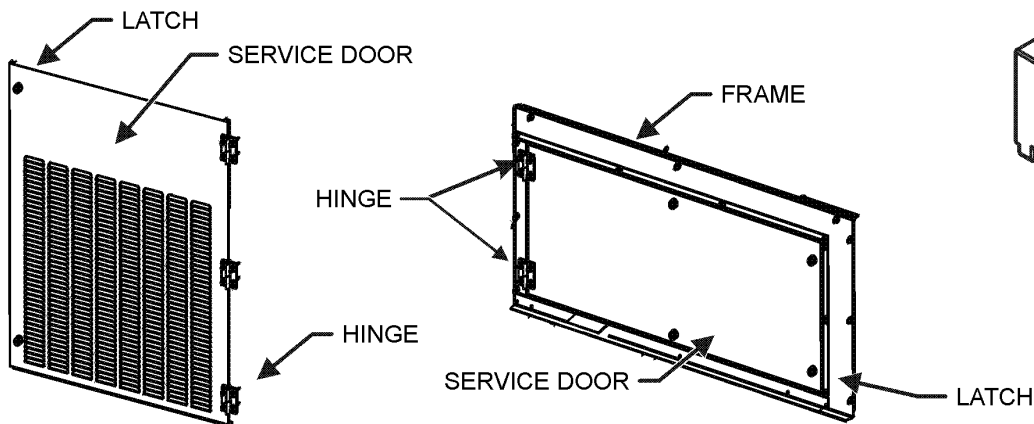
4 SMOKE DETECTORS



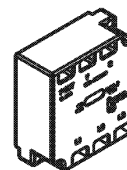
5 DDC CONTROL



6 HINGED DOOR ASSEMBLIES



7 PHASE MONITOR



Accessory Parts List

Ref. Part No:	Description:	Ref. Part No:	Description:
Image 1:			
NS EHK3-10	10 KW 203-230/3 ELECTRIC EHAT (M6)		
NS EHK1-10	10 KW 208-230/1 ELECTRIC HEAT (M5)		
NS 10366D09C	3-6 TON DFLOW ECONOMIZER, DDC (M1, M5)		
NS 0121L00316	BRACKET-CONV OUTLET MOUNT (M1, M3, M5,		
NS 0121L00835	BRACKET-DISCONNECT SWITCH (M1, M6)		
NS 0130M00065	CIRCUIT BREAKER, CONVENIENCE OUTLET (M3, M5, M6)		
NS 0121L00837NG	DISCONNECT COVER (M1, M6)		
NS 0130L00012	GANG BOX-GFCI OUTLET (M1, M3, M5, M6)		
NS 0130L00039	HANDLE, ROTARY (M1, M6)		
NS 0163M00307	HINGE, LEFT HAND (M5, M6)		
NS 0163M00308	HINGE, RIGHT HAND (M5, M6)		
NS 0163M00360	LATCH (M5, M6)		
NS 0130M00058	LOW AMBIENT KIT (M1, M5)		
NS 0121L02527NG	PNT, BLOWER DOOR BACK (M5, M6)		
NS 0121L02526NG	PNT, BLOWER DOOR FRONT (M5, M6)		
NS 0121L02509NG	PNT, BLOWER FRAME (M5, M6)		
NS 0161G00012	POWER OUTLET BOX (M1, M3, M5, M6)		
NS 0130L00103	RECEPTACLE-GFCI OUTLET (M1, M3, M5, M6)		
NS 0130L00042	SHAFT, CUT (M6)		
NS 0130L00049	SHAFT, DISCONNECT (M1, M6)		
NS 0130L00027	SWITCH-DISCONNECT 100A (M1)		
NS 0130L00046	SWITCH-DISCONNECT 60A (M6)		
NS 0130M00061	TRANSFORMER, CONVENIENCE OUTLET (M3, M5, M6)		

Expanded Model Nomenclature

- | |
|-----------------------|
| M1 - DSC036XXX1DRXFAA |
| M2 - DSC036XXX1DXXXAA |
| M3 - DSC036XXX3DXXBAA |
| M4 - DSC036XXX3DXXXAA |
| M5 - DSC0360101DFDMAA |
| M6 - DSC0360103DHDBAA |