

## Commercial 5 Ton DDC Control Package Heat Pump

DRH0603DDDCAA  
DRH0603WDDCAA  
DRH0604DDDCAA  
DRH0604WDDCAA  
DRH0607DDDCAA  
DRH0607WDDCAA



This manual is to be used by qualified technicians only.

# Important Information

---

## Index

Functional Parts List .....	3
Illustration and Parts .....	4 - 15

*Views shown are for parts illustrations only, not servicing procedures*

### Text Codes:

AR - As Required

NA - Not Available

NS - Not Shown

00000000 - See Note

QTY - Quantity Example (QTY 3) (If Quantity not shown, Quantity = 1)

M - Model Example (M1) (If M Code not shown, then part is used on all Models)

### Expanded Model Nomenclature:

Example M1 - Model#1 M2 - Model#2 M3 - Model#3
---------------------------------------------------------

Daikin Company, L.P. is not responsible for personal injury or property damage resulting from improper service. Review all service information before beginning repairs.

Warranty service must be performed by an authorized technician, using authorized factory parts. If service is required after the warranty expires, Daikin Company, L.P. also recommends contacting an authorized technician and using authorized factory parts.

Daikin Company, L.P. reserves the right to discontinue, or change at any time, specifications or designs without notice or without incurring obligations.

For assistance within the U.S.A. contact:

Equipment Support  
Daikin North America, LLC  
19001 Kermier Road  
Waller, Texas 77484  
855-770-5678-Telephone  
713-863-2382-Facsimile

For assistance outside the U.S.A. contact:

International Division  
Daikin North America, LLC  
19001 Kermier Road  
Waller, Texas 77484  
713-861-2500-Telephone  
713-863-2382-Facsimile

# Functional Parts

**Part No:**            **Description:**

0251L00058	ASSY., EXPANSION VALVE
0251L00017	ASSY., EXPANSION VALVE
10625733	BLADE-FAN 22" ALUM CCW
0130L00164	CLASS CC FUSE 5A (M5, M6)
ZPS49K5ETF5130	COMP, 49000/208/230/60/3 2 ST (M1, M2)
ZPS49K5ETFE130	COMPRESSOR (M5, M6)
ZPS49K5ETFD130	COMPRESSOR (M3, M4)
CONT2P025024V	CONT, 2 POLE, 25 AMP, 24 VAC
CONT3P025024V	CONT, 3 POLE, 25 AMP, 24 VAC
CONT3P030024V	CONT, 3 POLE, 30 AMP, 24 VAC (M1, M2)
0130M00583	CONTROL, DEFROST
0130M00198	CONTROL, DEFROST
0130M00579	DDC CONTROLLER 39IO
0130M00178	DPDT RELAY 24VAC (QTY 2)
0130L00228	DUCT TEMP SENSOR
0130M00583	FREEZE STAT
0130L00209	HEATER, CRANKCASE 240V, 40W (M1, M2)
0130L00211	HEATER, CRANKCASE 480V, 40W (M3, M4)
0130L00213	HEATER, CRANKCASE 575V, 40W (M5, M6)
0130M00280	HIGH PRESSURE SWITCH
0131M00878	ID MOTOR (M6)
0131M00877	ID MOTOR (M4)
0131M00948	ID MOTOR (M1)
0131M00949	ID MOTOR (M3)
0131M00950	ID MOTOR (M5)
0131M00876	ID MOTOR (M2)
0130M00075	LOW PRESSURE SWITCH
0131M00910	MOTOR (M1, M2, M5, M6)
0131M00915	MOTOR (M3, M4)
0130L00227	OUTDOOR AIR TEMP SENSOR
0130F00647	PRESSURE SWITCH
0130L00252	PROGRAM, APP, CONTROLLER, DDC
0130L00252	PROGRAM, APP, CONTROLLER, DDC
0151R00071	REVERSING VALVE
B1225022	SOLENOID COIL
0130L00226	SPACE TEMPERATURE SENSOR
0130M00199	SWITCH, CRANK CASE HEATER
0130M00598	TRANSFMR, 75VA, 575V TO 24V (M5, M6)
0130M00594	TRANSFORMER (M1, M2)
0130M00668	TRANSFORMER (M5, M6)
0130M00595	TRANSFORMER, 75VA, 480V TO 24V (M3, M4)

## Expanded Model Nomenclature

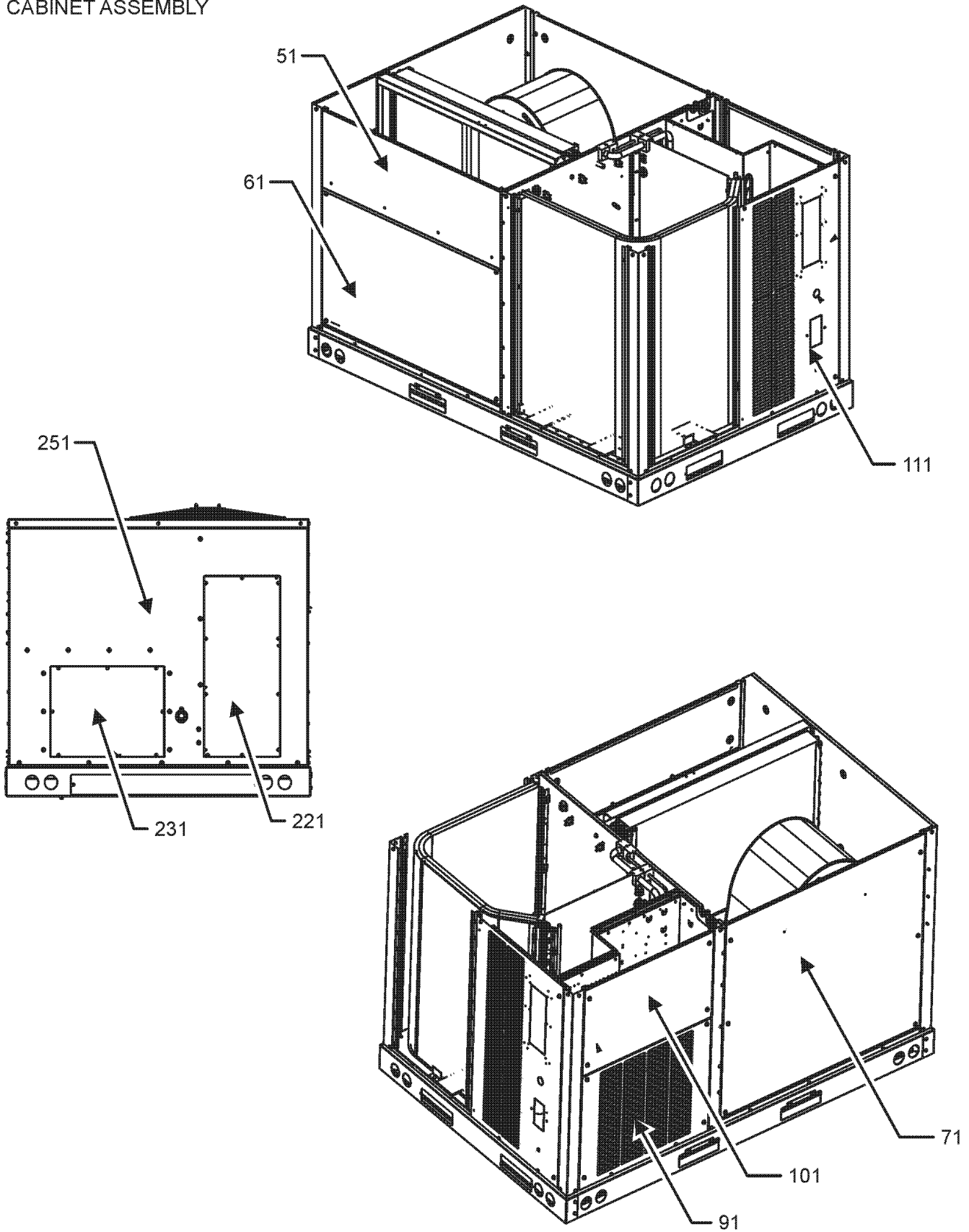
M1 - DRH0603DDDCAA
M2 - DRH0603WDDCAA
M3 - DRH0604DDDCAA
M4 - DRH0604WDDCAA
M5 - DRH0607DDDCAA
M6 - DRH0607WDDCAA

### SPECIAL PARTS

RP-FIOPSC*	ACCESSORY RP MANUAL
BDG-ILINQA	DAIKIN ILINQ BACNET DES GUIDE DAIKIN
QSG-ILINQA	ILINQ QUICK START GUIDE DAIKIN ILINQ
UM-ILINQA	USER MANUAL
RP-EHX(D/B)SC*	HEATER KIT RP MANUAL
RP-EHS(D/B)SC*	HEATER KIT RP MANUAL

# CABINET ASSEMBLY

## CABINET ASSEMBLY



# CABINET ASSEMBLY

Ref. Part No:	No:	Description:	Ref. Part No:	No:	Description:
---------------	-----	--------------	---------------	-----	--------------

---

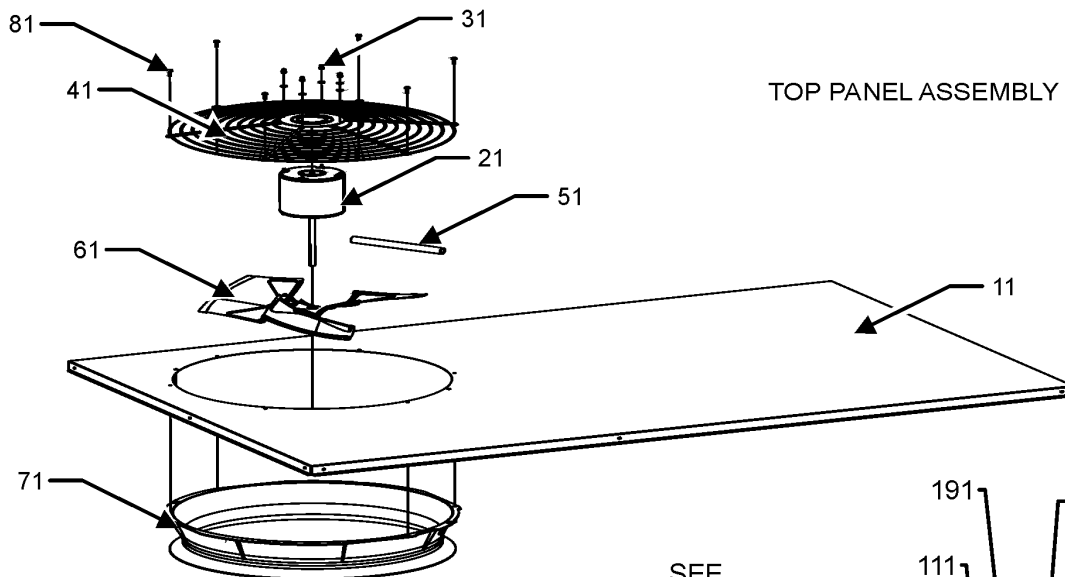
**Image 1:**

51	0121L01650SB	PAINTED FILTER PANEL
61	0121L01651SB	PAINTED ECONOMIZER PANEL
71	0121L02264SB	PAINTED BLOWER PANEL
91	0121L02265SB	PAINTED COMPRESSOR PANEL
101	0121L02262SB	PAINTED CONTROL BOX PANEL
111	0121L03643SB	PAINTED, COMPRESSOR BACK PANEL
221	0121L02910SB	PAINTED COVER-DUCT RETURN
231	0121L02911SB	PAINTED COVER-DUCT SUPPLY
251	0121L03346SB	PAINTED, DUCT PANEL

**Expanded Model Nomenclature**

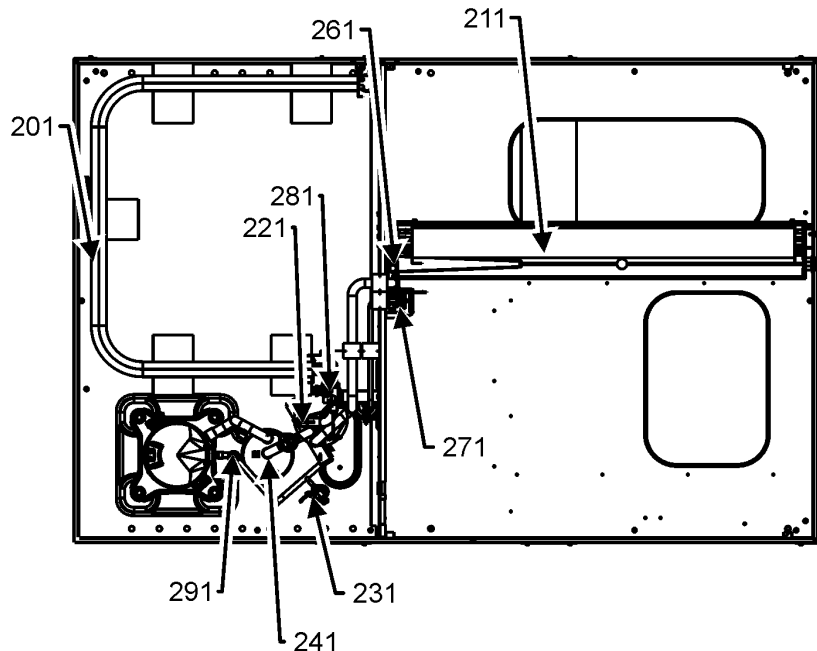
- M1 - DRH0603DDDCAA
- M2 - DRH0603WDDCAA
- M3 - DRH0604DDDCAA
- M4 - DRH0604WDDCAA
- M5 - DRH0607DDDCAA
- M6 - DRH0607WDDCAA

# TOP PANEL AND TUBING ASSEMBLY

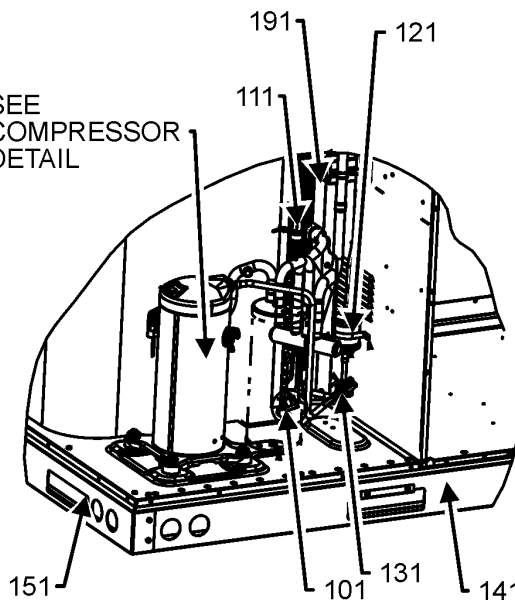


TOP PANEL ASSEMBLY

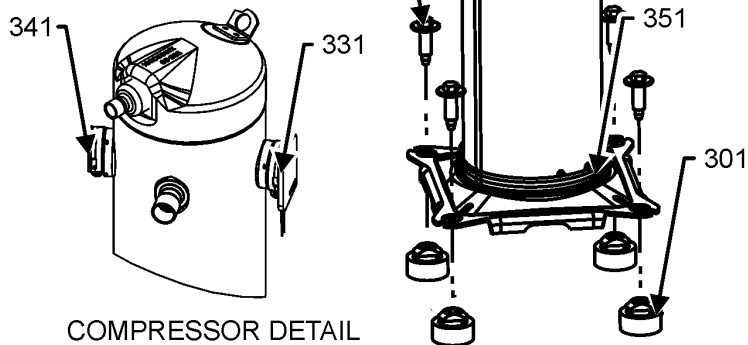
TUBING ASSEMBLY



SEE COMPRESSOR DETAIL



TUBING ASSEMBLY MAY DIFFER FROM WHAT IS SHOWN



COMPRESSOR DETAIL

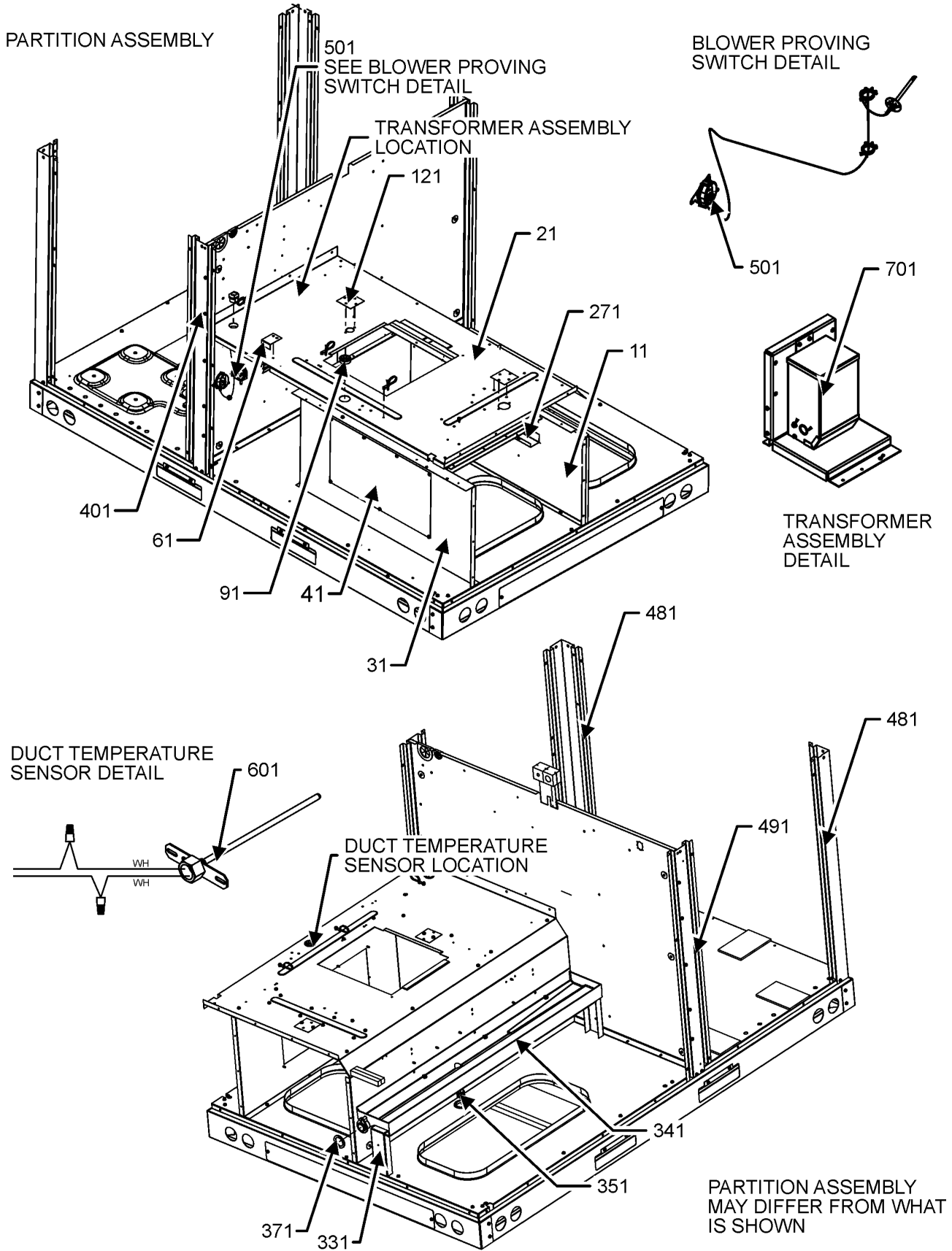
# TOP PANEL AND TUBING ASSEMBLY

Ref. Part No:	Part No:	Description:	Ref. Part No:	Part No:	Description:
<b>Image 1:</b>					
11	0121L03080SB	PAINTED TOP PANEL (M3, M4)			
11	0121L01626SB	PAINTED, TOP PANEL (M1, M2, M5, M6)			
21	0131M00910	MOTOR (M1, M2, M5, M6)			
21	0131M00915	MOTOR (M3, M4)			
31	0163M00006P	ACORN NUT 5/16 HEX BLACK (M1, M2, M5, M6)			
41	0152G00000	FAN GRILLE, RAISED			
51	0161R00003P	CONDUIT (M1, M2, M5, M6)			
61	10625733	BLADE-FAN 22" ALUM CCW			
71	0161R00048	MOLDED RING-VENTURI 22			
81	0163M00004	SCREW #10X3/4", BLACK (QTY 8)			
101	0130M00198	CONTROL, DEFROST			
111	0130M00075	LOW PRESSURE SWITCH			
121	0162R00056	FILTER/DRIER-BI-FLOW			
131	0130M00280	HIGH PRESSURE SWITCH			
141	0121L01620	SMALL SIDE RAIL (QTY 2)			
151	0121L01621	SMALL END RAIL (QTY 2)			
191	0121L01634	OD COIL BLOCKOFF			
201	0201L00574	ASSY, OD, COIL, TUBING			
211	0202L00323	ASSY., ID COIL TUBING			
221	0151R00071	REVERSING VALVE			
231	0130M00583	CONTROL, DEFROST			
241	0151L00058	ACCUMULATOR			
261	0130M00583	FREEZE STAT			
271	0251L00058	ASSY., EXPANSION VALVE			
281	0251L00017	ASSY., EXPANSION VALVE			
291	0130M00199	SWITCH, CRANK CASE HEATER			
301	B1339533	COMPRESSOR GROMMET (QTY 4)			
311	B1393740	COMP. BOLT & SLEEVE (QTY 4)			
321	ZPS49K5ETF5130	COMP, 49000/208/230/60/3 2 ST (M1, M2)			
321	ZPS49K5ETFD130	COMPRESSOR (M3, M4)			
321	ZPS49K5ETFE130	COMPRESSOR (M5, M6)			
331	0159L00065	Harness, comp scroll			
341	0159G00010	CABLE, COMPR SCROLL			
351	0130L00209	HEATER, CRANKCASE 240V, 40W (M1, M2)			
351	0130L00211	HEATER, CRANKCASE 480V, 40W (M3, M4)			
351	0130L00213	HEATER, CRANKCASE 575V, 40W (M5, M6)			
NS	0141L00003X	BOARD-FORK (QTY 2)			
NS	0121R00301	BRACKET, MOTOR MOUNTING (M3, M4)			
NS	B1393024	LOCK NUT (M3, M4)			
NS	B1393804	NYLON LOCKNUT, .31 - 18 (M3, M4)			
NS	0121L03516	PNL, BRACKET, FORK BOARD (QTY 4)			
NS	0163M00129	SCREW H2 .31X1.52 (M3, M4)			
NS	B1225022	SOLENOID COIL			
NS	0163M00005P	WASHER, BLACK (.50 OD .218ID) (M1, M2, M5,			

## Expanded Model Nomenclature

M1 - DRH0603DDDCAA
M2 - DRH0603WDDCAA
M3 - DRH0604DDDCAA
M4 - DRH0604WDDCAA
M5 - DRH0607DDDCAA
M6 - DRH0607WDDCAA

# PARTITION ASSEMBLY



# PARTITION ASSEMBLY

Ref. Part No:	Ref. Part No:	Description:	Description:
---------------	---------------	--------------	--------------

**Image 1:**

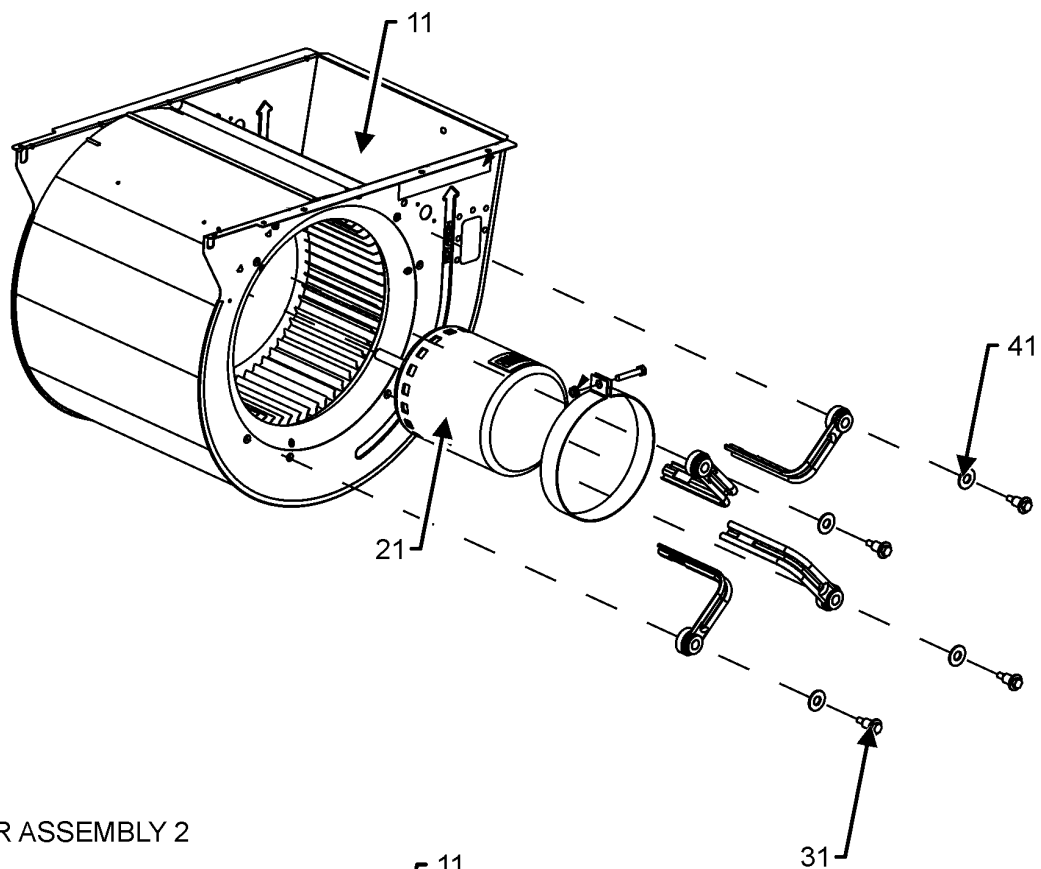
11	0121L02584	BLOWER DECK SIDE
21	0121L04271	PANEL, BLOWER DECK
31	0121L04004	HEAT KIT BOX
41	0121L00144	COVER-ELECTRIC HEAT
61	0121L01709	BLOWER DECK PLATE
91	B1392147	UNIVERSIAL BUSHING WITH SLICE (QTY 2)
121	0121L00321	COVER-SMOKE DETECTOR (QTY 2)
271	0121L02633	BLOWER DECK U-BRACKET
331	0121L01628	DRAINPAN SUPPORT
341	0161L00007	DRAIN PAN, EVAPORATOR 3-5 TON
351	0163L00071	PLUG, DRAIN
371	0154L00180	GASKET, DRAIN PAN
401	0121L02698SB	PAINTED SIDE POST
481	0121L01625SB	PAINTED CORNER POST (QTY 2)
491	0121L03445SB	PAINTED, SIDE POST
501	0130F00647	PRESSURE SWITCH
601	0130L00228	DUCT TEMP SENSOR
701	0130M00668	TRANSFORMER (M5, M6)
NS	0160L00173	AIR FILTER 14X20X2 (QTY 2)
NS	A4568804	GROMMET-D
NS	0164G00005	GROMMET-HORSESHOW 1.675
NS	0121L02260	OD COIL BLOCKOFF ANGLE
NS	0121L03515	RETAINER - ELECTRIC HEAT

**Expanded Model Nomenclature**

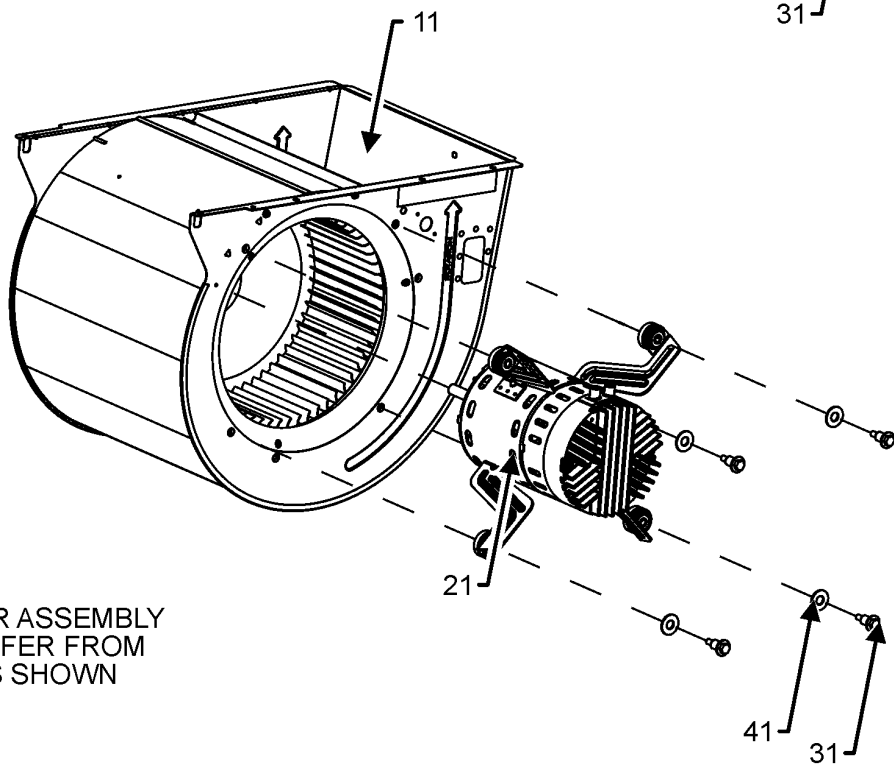
M1 - DRH0603DDDCAA
M2 - DRH0603WDDCAA
M3 - DRH0604DDDCAA
M4 - DRH0604WDDCAA
M5 - DRH0607DDDCAA
M6 - DRH0607WDDCAA

# BLOWER ASSEMBLY

## BLOWER ASSEMBLY 1



## BLOWER ASSEMBLY 2



BLOWER ASSEMBLY  
MAY DIFFER FROM  
WHAT IS SHOWN

# BLOWER ASSEMBLY

Ref. Part No:	No:	Description:	Ref. Part No:	No:	Description:
---------------	-----	--------------	---------------	-----	--------------

---

**Image 1:**

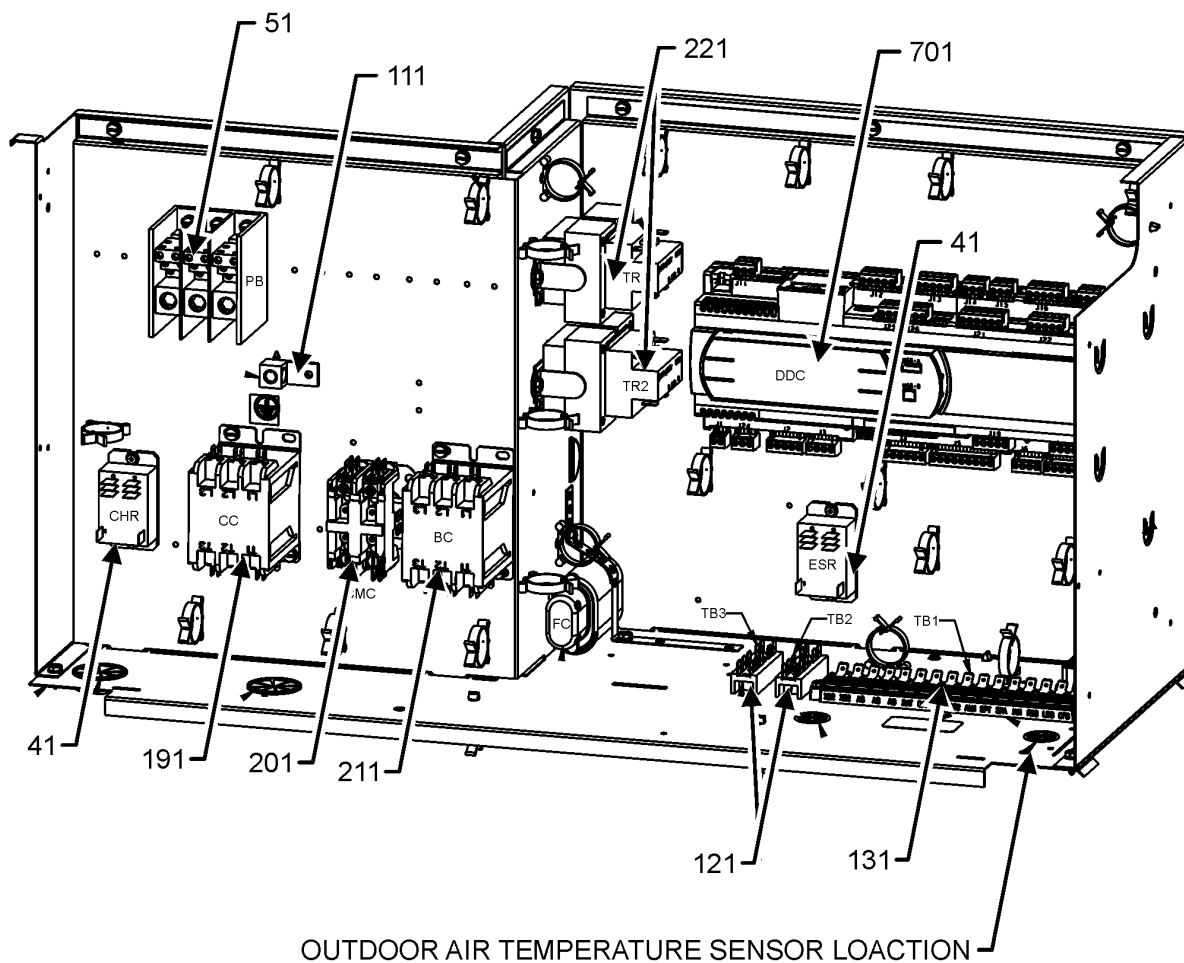
11	0271L00137	ASSY., BLOWER HOUSING
21	0131M00876	ID MOTOR (M2)
21	0131M00877	ID MOTOR (M4)
21	0131M00878	ID MOTOR (M6)
21	0131M00948	ID MOTOR (M1)
21	0131M00949	ID MOTOR (M3)
21	0131M00950	ID MOTOR (M5)
31	M0250565	SCREW-TC 1.25" (QTY 4)
41	B1392918	WASHER, FLAT 1/4 ID X 1 OD (QTY 4)

**Expanded Model Nomenclature**

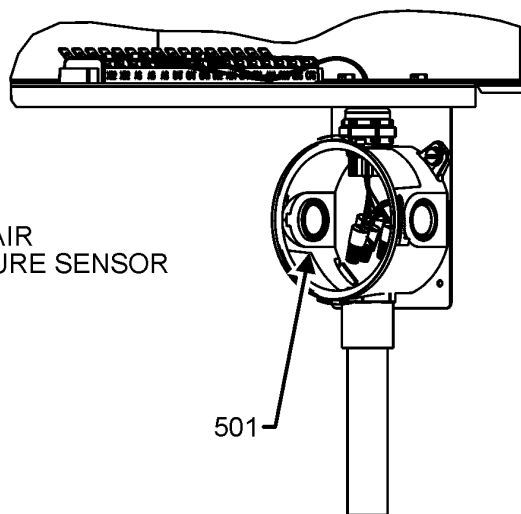
M1 - DRH0603DDDCAA
M2 - DRH0603WDDCAA
M3 - DRH0604DDDCAA
M4 - DRH0604WDDCAA
M5 - DRH0607DDDCAA
M6 - DRH0607WDDCAA

# CONTROL BOX ASSEMBLY

## CONTROL BOX ASSEMBLY



OUTDOOR AIR TEMPERATURE SENSOR DETAIL



CONTROL BOX ASSEMBLY MAY DIFFER FROM WHAT IS SHOWN

# CONTROL BOX ASSEMBLY

Ref. Part No:	Part No:	Description:	Ref. Part No:	Part No:	Description:
---------------	----------	--------------	---------------	----------	--------------

**Image 1:**

41	0130M00178	DPDT RELAY 24 VAC (QTY 2)
51	0130M00509	BLOCK POWER
111	0130L00005	GROUND LUG
121	802007090	TERM BOARD (QTY 2)
131	0130M00415	TERMINAL BOARD
191	CONT3P025024V	CONT, 3 POLE, 25 AMP, 24 VAC (M3, M4, M5, M6)
191	CONT3P030024V	CONT, 3 POLE, 30 AMP, 24 VAC (M1, M2)
201	CONT2P025024V	CONT, 2 POLE, 25 AMP, 24 VAC
211	CONT3P025024V	CONT, 3 POLE, 25 AMP, 24 VAC
221	0130M00598	TRANSFMR, 75VA, 575V TO 24V (M5, M6)
221	0130M00594	TRANSFORMER (M1, M2)
221	0130M00595	TRANSFORMER, 75VA, 480V TO 24V (M3, M4)
501	0130L00227	OUTDOOR AIR TEMP SENSOR
701	0130M00579	DDC CONTROLLER 39IO
NS	0130L00164	CLASS CC FUSE 5A (M5, M6)
NS	BDG-ILINQA	DAIKIN ILINQ BACNET DES GUIDE
NS	QSG-ILINQA	DAIKIN ILINQ QUICK START GUIDE
NS	UM-ILINQA	DAIKIN ILINQ USER MANUAL
NS	B1393726	ELECT CONNECTING BUSHING (M5, M6)
NS	0130M00670	FUSE BLOCK CLASS CC (M5, M6)
NS	0130L00252	PROGRAM, APP, CONTROLLER, DDC
NS	0130L00252	PROGRAM, APP, CONTROLLER, DDC
NS	0130L00226	SPACE TEMPERATURE SENSOR
NS	20520901	STRAP CAPACITOR (QTY 6)

**Expanded Model Nomenclature**

M1 - DRH0603DDDCAA
M2 - DRH0603WDDCAA
M3 - DRH0604DDDCAA
M4 - DRH0604WDDCAA
M5 - DRH0607DDDCAA
M6 - DRH0607WDDCAA

# ACCESSORY PARTS LIST

NOTE: NOT ALL OPTIONS AVAILABLE FOR ALL PRODUCTS

FOR ACCESSORY PARTS SEE THE FOLLOWING PART MANUAL

**RP-FIOPSC\***

**RP-EHS[D/B]SC\***

**RP-EHX[D/B]SC\***

# ACCESSORY PARTS

**Ref. Part**

**No: No:**

**Description:**

**Ref. Part**

**No: No:**

**Description:**

---

**Image 1:**

NS RP-FIOPSC\* ACCESSORY RP MANUAL

NS RP-EHS(D/B)SC\* HEATER KIT RP MANUAL

NS RP-EHX(D/B)SC\* HEATER KIT RP MANUAL

**Expanded Model Nomenclature**

M1 - DRH0603DDDCAA

M2 - DRH0603WDDCAA

M3 - DRH0604DDDCAA

M4 - DRH0604WDDCAA

M5 - DRH0607DDDCAA

M6 - DRH0607WDDCAA