

## Commercial 4 Ton DDC Control Package Heat Pump

DRH0483DDDCAA  
DRH0483WDDCAA  
DRH0484DDDCAA  
DRH0484WDDCAA  
DRH0487DDDCAA  
DRH0487WDDCAA



This manual is to be used by qualified technicians only.

# Important Information

---

## Index

Functional Parts List .....	3
Illustration and Parts .....	4 - 15

*Views shown are for parts illustrations only, not servicing procedures*

### Text Codes:

AR - As Required

NA - Not Available

NS - Not Shown

00000000 - See Note

QTY - Quantity Example (QTY 3) (If Quantity not shown, Quantity = 1)

M - Model Example (M1) (If M Code not shown, then part is used on all Models)

### Expanded Model Nomenclature:

Example M1 - Model#1 M2 - Model#2 M3 - Model#3
---

Daikin Company, L.P. is not responsible for personal injury or property damage resulting from improper service. Review all service information before beginning repairs.

Warranty service must be performed by an authorized technician, using authorized factory parts. If service is required after the warranty expires, Daikin Company, L.P. also recommends contacting an authorized technician and using authorized factory parts.

Daikin Company, L.P. reserves the right to discontinue, or change at any time, specifications or designs without notice or without incurring obligations.

For assistance within the U.S.A. contact:

Equipment Support  
Daikin North America, LLC  
19001 Kermier Road  
Waller, Texas 77484  
855-770-5678-Telephone  
713-863-2382-Facsimile

For assistance outside the U.S.A. contact:

International Division  
Daikin North America, LLC  
19001 Kermier Road  
Waller, Texas 77484  
713-861-2500-Telephone  
713-863-2382-Facsimile

# Functional Parts

**Part No:**      **Description:**

0251L00098	ASSY., EXPANSION VALVE
0251L00097	ASSY., EXPANSION VALVE
10625733	BLADE-FAN 22" ALUM CCW
0130L00164	CLASS CC FUSE 5A (M5, M6)
ZPS40K5ETF5130	COMPRESSOR (M1, M2)
ZPS40K5ETFE130	COMPRESSOR (M5, M6)
ZPS40K5ETFD130	COMPRESSOR (M3, M4)
CONT2P025024V	CONT, 2 POLE, 25 AMP, 24 VAC
CONT3P025024V	CONT, 3 POLE, 25 AMP, 24 VAC
CONT3P030024V	CONT, 3 POLE, 30 AMP, 24 VAC (M1, M2)
0130M00583	CONTROL, DEFROST
0130M00198	CONTROL, DEFROST
0130M00579	DDC CONTROLLER 39IO
0130M00178	DPDT RELAY 24VAC (QTY 2)
0130L00228	DUCT TEMP SENSOR
0130M00583	FREEZE STAT
0130L00209	HEATER, CRANKCASE 240V, 40W (M1, M2)
0130L00211	HEATER, CRANKCASE 480V, 40W (M3, M4)
0130L00213	HEATER, CRANKCASE 575V, 40W (M5, M6)
0130M00280	HIGH PRESSURE SWITCH
0131M00949	ID MOTOR (M3, M4)
0131M00948	ID MOTOR (M1, M2)
0131M00950	ID MOTOR (M5, M6)
0130M00075	LOW PRESSURE SWITCH
0131M00916	MOTOR (M3, M4)
0131M00918	MOTOR (M1, M2, M5, M6)
0130L00227	OUTDOOR AIR TEMP SENSOR
0130F00647	PRESSURE SWITCH
0130L00252	PROGRAM, APP, CONTROLLER, DDC
0151R00071	REVERSING VALVE
B1225022	SOLENOID COIL
0130L00226	SPACE TEMPERATURE SENSOR
0130M00199	SWITCH, CRANK CASE HEATER
0130M00598	TRANSFMR, 75VA, 575V TO 24V (M5, M6)
0130M00594	TRANSFORMER (M1, M2) TRANSFORMER (M5, M6)
0130M00668	TRANSFORMER, 75VA, 480V TO 24V (M3, M4)

## Expanded Model Nomenclature

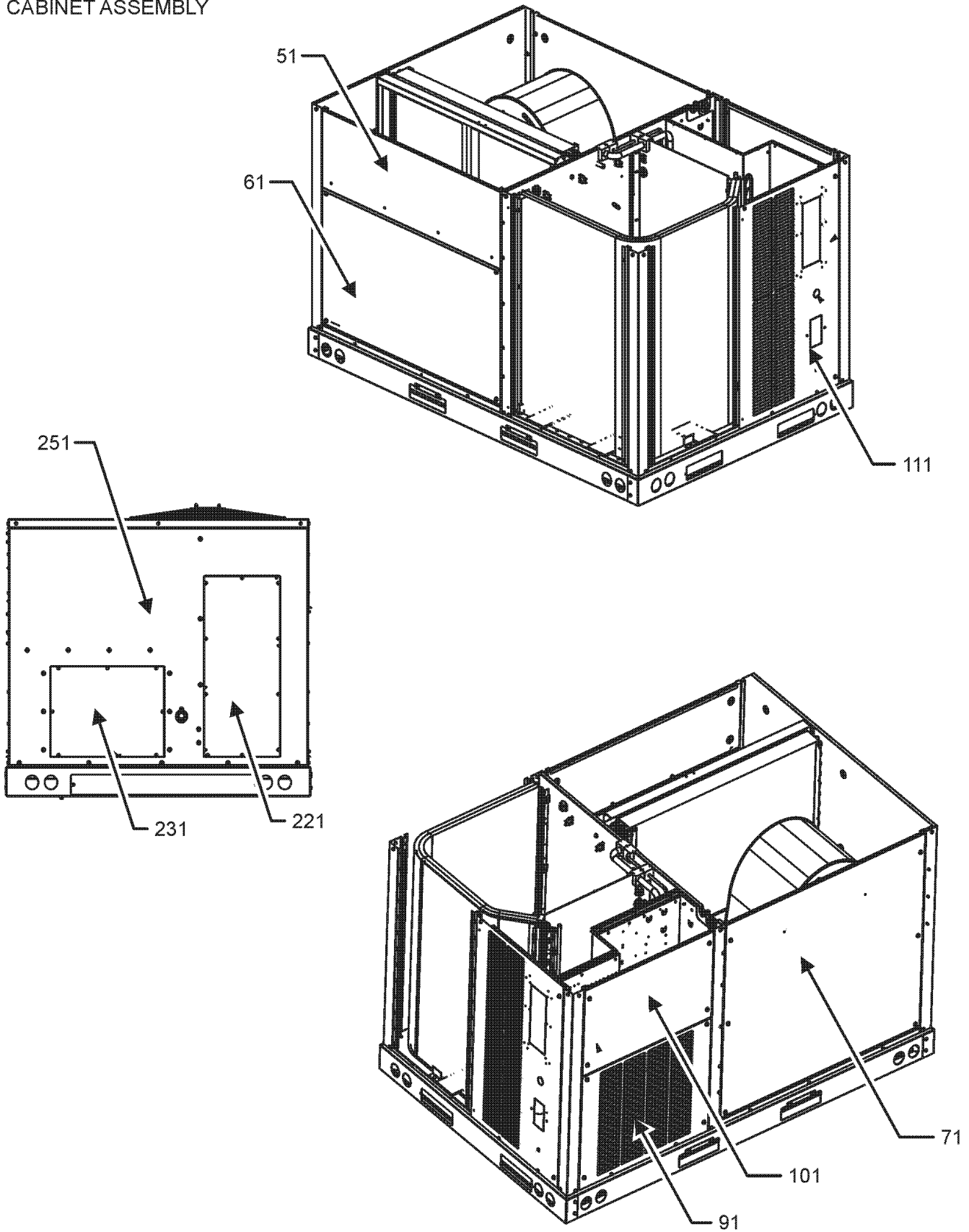
M1 - DRH0483DDDCAA
M2 - DRH0483WDDCAA
M3 - DRH0484DDDCAA
M4 - DRH0484WDDCAA
M5 - DRH0487DDDCAA
M6 - DRH0487WDDCAA

### SPECIAL PARTS

RP-FIOPSC*	ACCESSORY RP MANUAL
BDG-ILINQA	DAIKIN ILINQ BACNET DES GUIDE DAIKIN
QSG-ILINQA	ILINQ QUICK START GUIDE DAIKIN ILINQ
UM-ILINQA	USER MANUAL
RP-EHS(D/B)SC*	HEATER KIT RP MANUAL
RP-EHX(D/B)SC*	HEATER KIT RP MANUAL

# CABINET ASSEMBLY

## CABINET ASSEMBLY



# CABINET ASSEMBLY

Ref. Part No:	No:	Description:	Ref. Part No:	No:	Description:
---------------	-----	--------------	---------------	-----	--------------

---

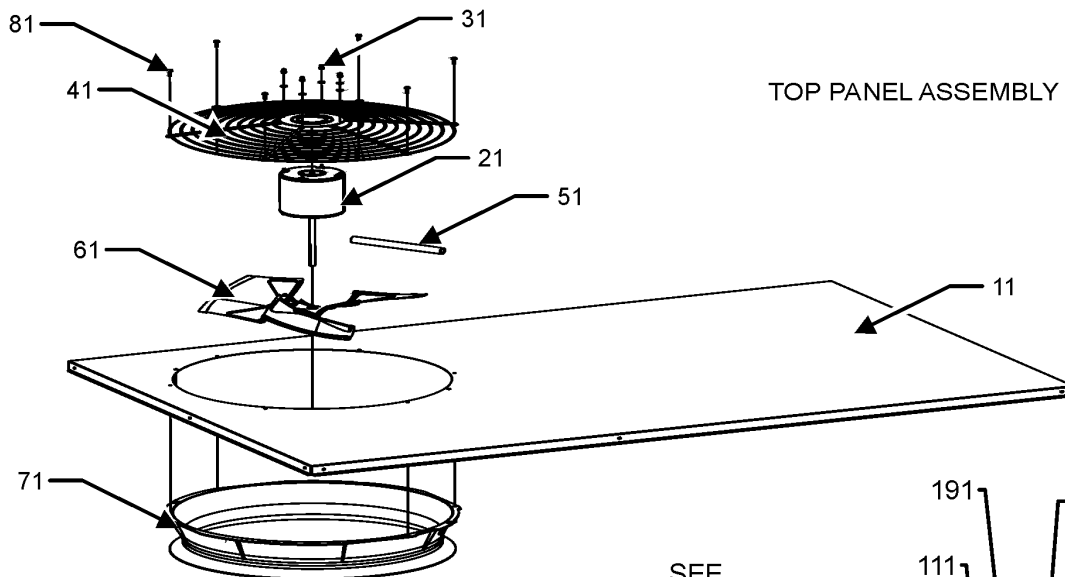
**Image 1:**

51	0121L01650SB	PAINTED FILTER PANEL
61	0121L01651SB	PAINTED ECONOMIZER PANEL
71	0121L02264SB	PAINTED BLOWER PANEL
91	0121L02265SB	PAINTED COMPRESSOR PANEL
101	0121L02262SB	PAINTED CONTROL BOX PANEL
111	0121L03643SB	PAINTED, COMPRESSOR BACK PANEL
221	0121L02910SB	PAINTED COVER-DUCT RETURN
231	0121L02911SB	PAINTED COVER-DUCT SUPPLY
251	0121L03345SB	PAINTED, DUCT PANEL

**Expanded Model Nomenclature**

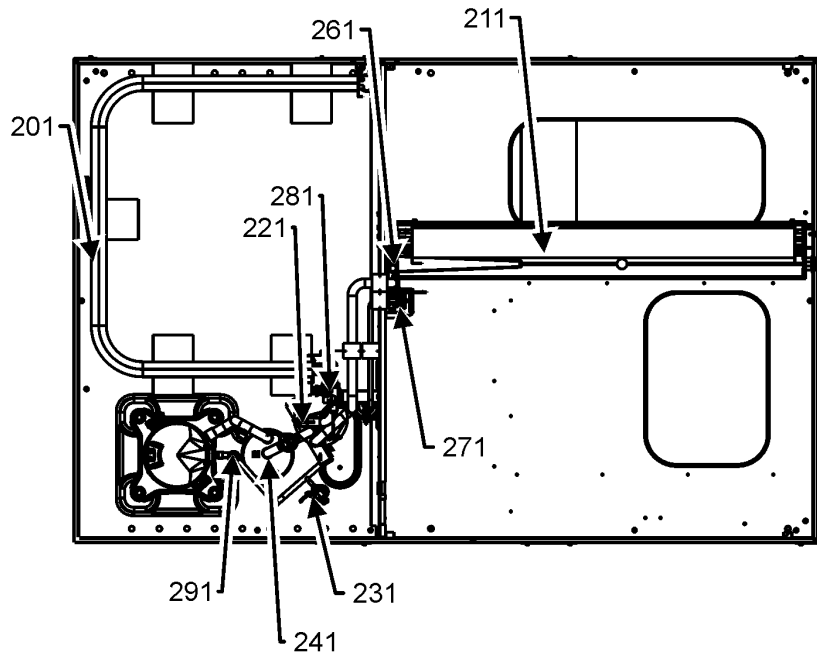
- M1 - DRH0483DDDCAA
- M2 - DRH0483WDDCAA
- M3 - DRH0484DDDCAA
- M4 - DRH0484WDDCAA
- M5 - DRH0487DDDCAA
- M6 - DRH0487WDDCAA

# TOP PANEL AND TUBING ASSEMBLY

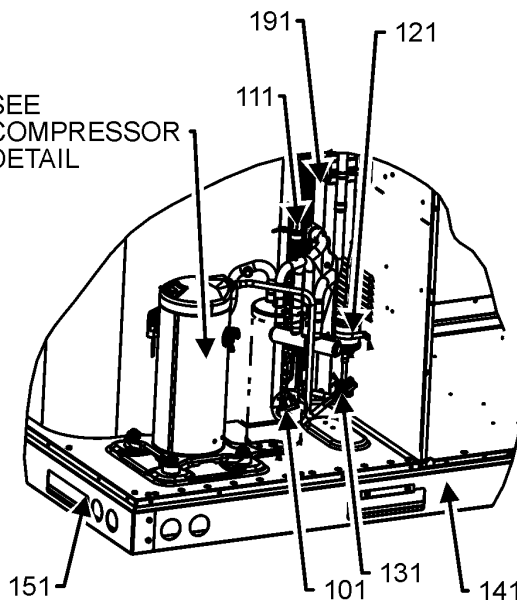


TOP PANEL ASSEMBLY

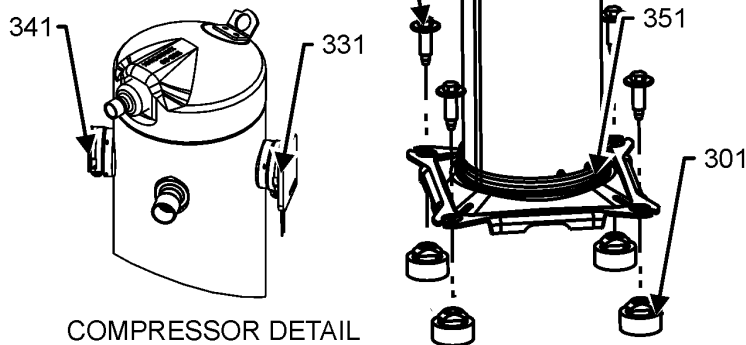
TUBING ASSEMBLY



SEE COMPRESSOR DETAIL



TUBING ASSEMBLY MAY DIFFER FROM WHAT IS SHOWN



COMPRESSOR DETAIL

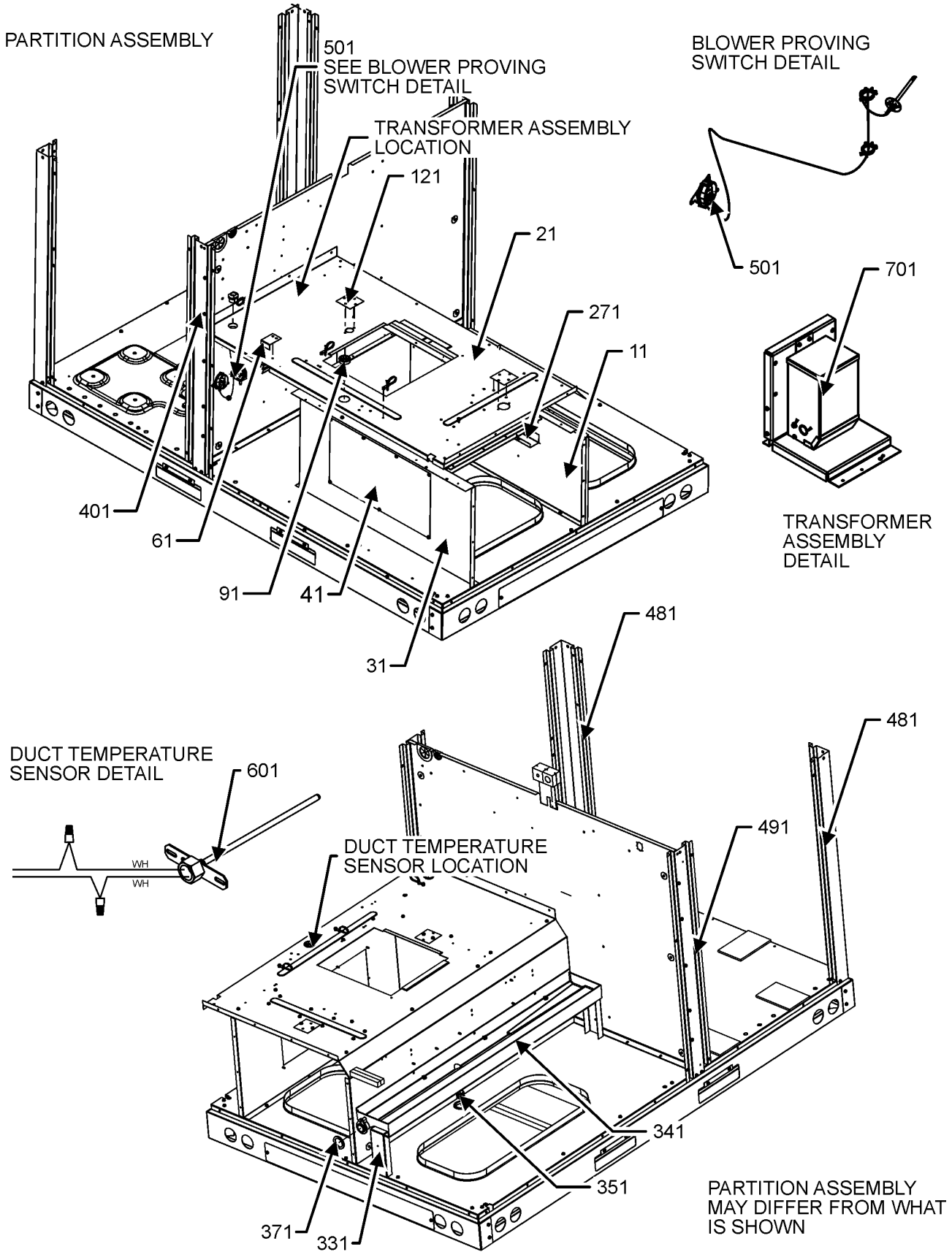
# TOP PANEL AND TUBING ASSEMBLY

Ref. Part No: No:	Description:	Ref. Part No: No:	Description:
<b>Image 1:</b>			
11	0121L03080SB		PAINTED TOP PANEL (M3, M4)
11	0121L01626SB		PAINTED, TOP PANEL (M1, M2, M5, M6)
21	0131M00916		MOTOR (M3, M4)
21	0131M00918		MOTOR (M1, M2, M5, M6)
31	0163M00006P		ACORN NUT 5/16 HEX BLACK (M1, M2, M5, M6)
41	0152G00000		FAN GRILLE, RAISED
51	0161R00003P		CONDUIT (M1, M2, M5, M6)
61	10625733		BLADE-FAN 22" ALUM CCW
71	0161R00048		MOLDED RING-VENTURI 22
81	0163M00004		SCREW #10X3/4", BLACK (QTY 8)
101	0130M00198		CONTROL, DEFROST
111	0130M00075		LOW PRESSURE SWITCH
121	0162R00056		FILTER/DRIER-BI-FLOW
131	0130M00280		HIGH PRESSURE SWITCH
141	0121L01620		SMALL SIDE RAIL (QTY 2)
151	0121L01621		SMALL END RAIL (QTY 2)
191	0121L01634		OD COIL BLOCKOFF
201	0201L00345		ASSY, OD, COIL, TUBING
211	0202L00322		ASSY., ID COIL TUBING
221	0151R00071		REVERSING VALVE
231	0130M00583		CONTROL, DEFROST
241	0151L00058		ACCUMULATOR
261	0130M00583		FREEZE STAT
271	0251L00097		ASSY., EXPANSION VALVE
281	0251L00098		ASSY., EXPANSION VALVE
291	0130M00199		SWITCH, CRANK CASE HEATER
301	B1339533		COMPRESSOR GROMMET (QTY 4)
311	B1393740		COMP. BOLT & SLEEVE (QTY 4)
321	ZPS40K5ETF5130		COMPRESSOR (M1, M2)
321	ZPS40K5ETFD130		COMPRESSOR (M3, M4)
321	ZPS40K5ETFE130		COMPRESSOR (M5, M6)
331	0159L00065		Harness, comp s scroll
341	0159G00010		CABLE, COMPR SCROLL
351	0130L00209		HEATER, CRANKCASE 240V, 40W (M1, M2)
351	0130L00211		HEATER, CRANKCASE 480V, 40W (M3, M4)
351	0130L00213		HEATER, CRANKCASE 575V, 40W (M5, M6)
NS	0141L00003X		BOARD-FORK (QTY 2)
NS	0121R00301		BRACKET, MOTOR MOUNTING (M3, M4)
NS	B1393024		LOCK NUT (M3, M4)
NS	B1393804		NYLON LOCKNUT, .31 - 18 (M3, M4)
NS	0121L03516		PNL, BRACKET, FORK BOARD (QTY 4)
NS	0163M00129		SCREW H2 .31X1.52 (M3, M4)
NS	B1225022		SOLENOID COIL
NS	0163M00005P		WASHER, BLACK (.50 OD .218ID) (M1, M2, M5,

## Expanded Model Nomenclature

M1 - DRH0483DDDCAA
M2 - DRH0483WDDCAA
M3 - DRH0484DDDCAA
M4 - DRH0484WDDCAA
M5 - DRH0487DDDCAA
M6 - DRH0487WDDCAA

# PARTITION ASSEMBLY



# PARTITION ASSEMBLY

Ref. Part No:	Part No:	Description:	Ref. Part No:	Part No:	Description:
---------------	----------	--------------	---------------	----------	--------------

**Image 1:**

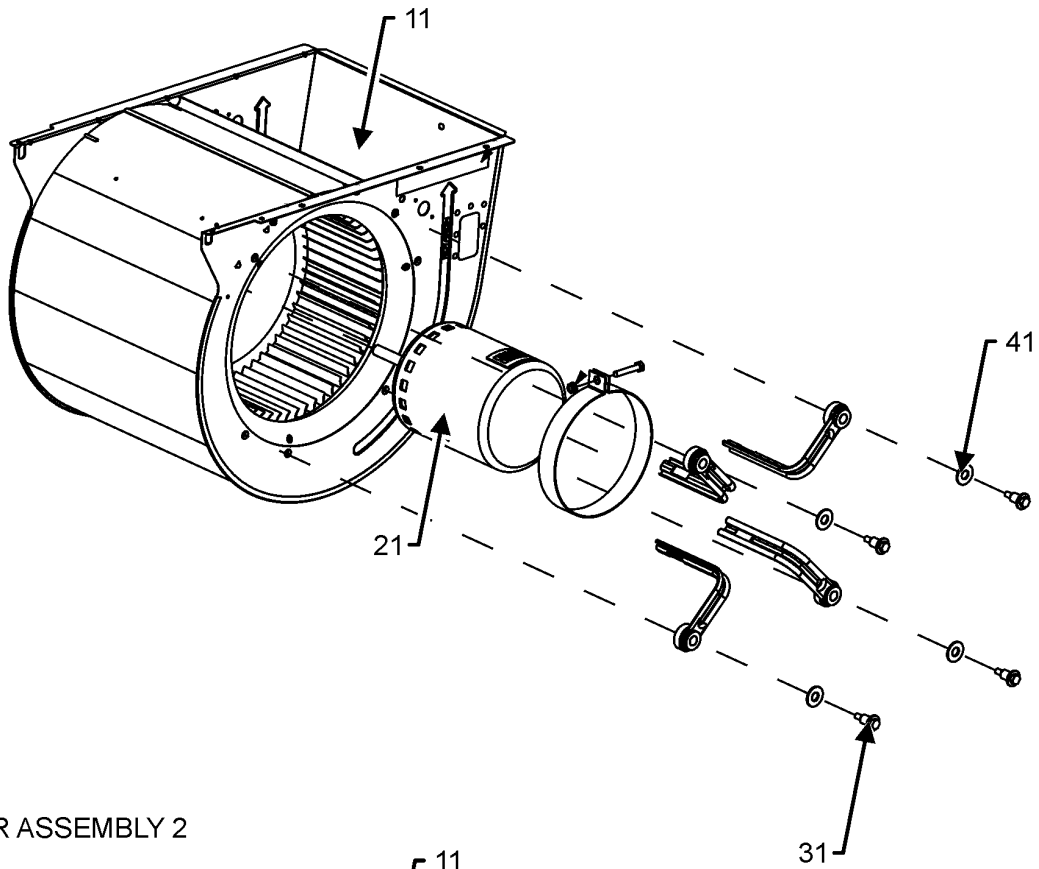
11	0121L02584	BLOWER DECK SIDE			
21	0121L04271	PANEL, BLOWER DECK			
31	0121L04004	HEAT KIT BOX			
41	0121L00144	COVER-ELECTRIC HEAT			
61	0121L01709	BLOWER DECK PLATE			
91	B1392147	UNIVERSIAL BUSHING WITH SLICE (QTY 2)			
121	0121L00321	COVER-SMOKE DETECTOR (QTY 2)			
271	0121L02633	BLOWER DECK U-BRACKET			
331	0121L01635	DRAINPAN SUPPORT			
341	0161L00007	DRAIN PAN, EVAPORATOR 3-5 TON			
351	0163L00071	PLUG, DRAIN			
371	0154L00180	GASKET, DRAIN PAN			
401	0121L02698SB	PAINTED SIDE POST			
481	0121L01625SB	PAINTED CORNER POST (QTY 2)			
491	0121L03445SB	PAINTED, SIDE POST			
501	0130F00647	PRESSURE SWITCH			
601	0130L00228	DUCT TEMP SENSOR			
701	0130M00668	TRANSFORMER (M5, M6)			
NS	0160L00173	AIR FILTER 14X20X2 (QTY 4)			
NS	A4568804	GROMMET-D			
NS	0164G00005	GROMMET-HORSESHOW 1.675			
NS	0121L02260	OD COIL BLOCKOFF ANGLE			
NS	0121L03515	RETAINER - ELECTRIC HEAT			

**Expanded Model Nomenclature**

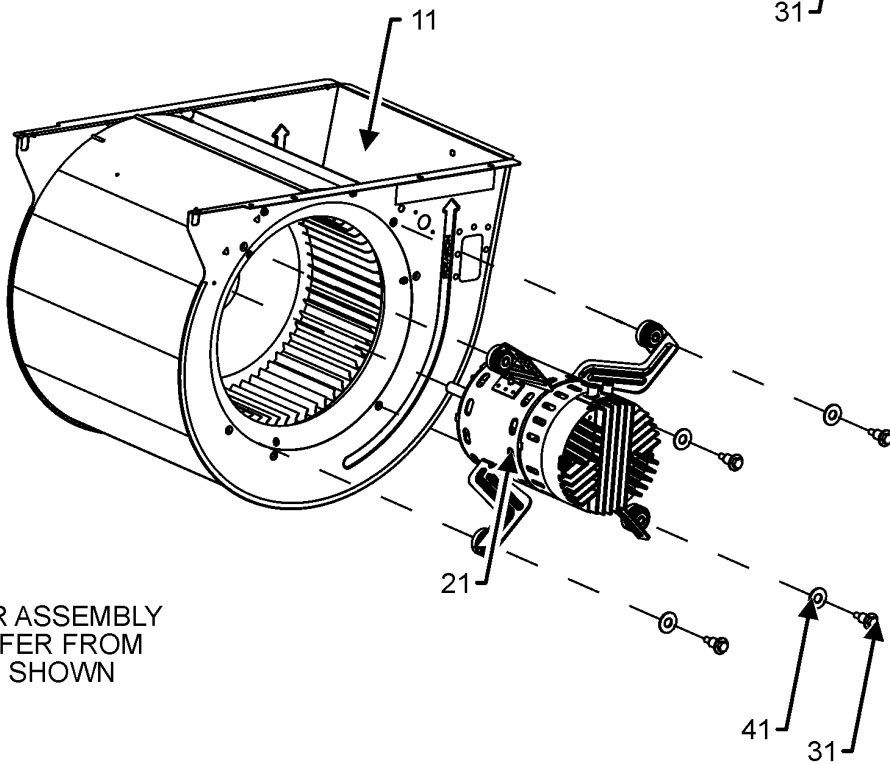
- |                    |
|--------------------|
| M1 - DRH0483DDDCAA |
| M2 - DRH0483WDDCAA |
| M3 - DRH0484DDDCAA |
| M4 - DRH0484WDDCAA |
| M5 - DRH0487DDDCAA |
| M6 - DRH0487WDDCAA |

# BLOWER ASSEMBLY

## BLOWER ASSEMBLY 1



## BLOWER ASSEMBLY 2



BLOWER ASSEMBLY  
MAY DIFFER FROM  
WHAT IS SHOWN

# BLOWER ASSEMBLY

Ref. Part

No: No:

Description:

Ref. Part

No: No:

Description:

---

**Image 1:**

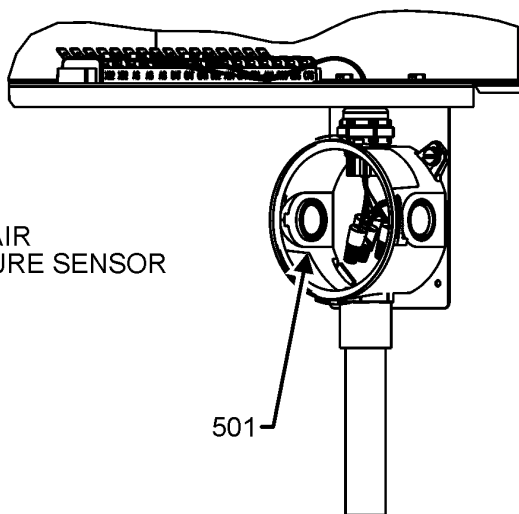
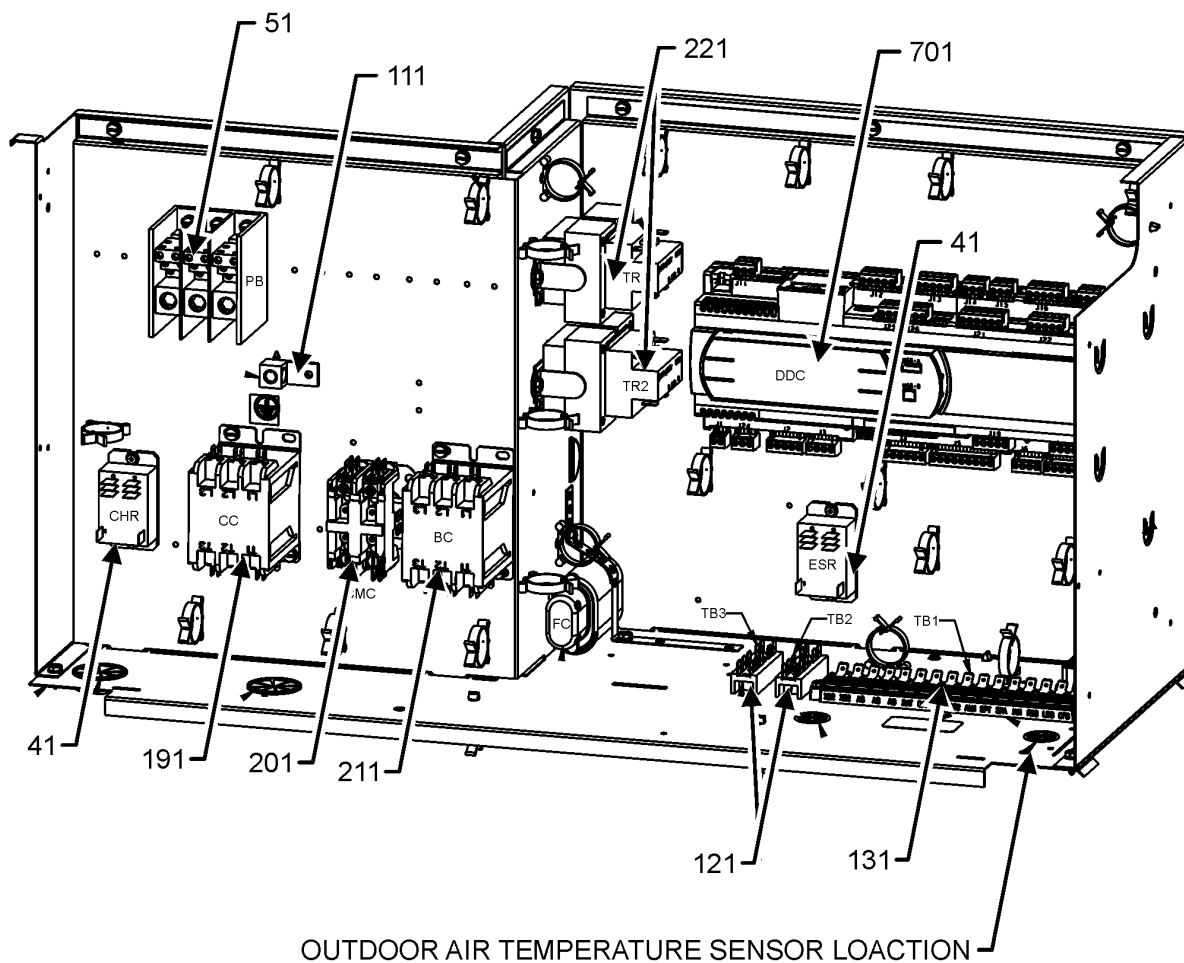
11	0271L00137	ASSY., HOUSING, BLWR
21	0131M00948	ID MOTOR (M1, M2)
21	0131M00949	ID MOTOR (M3, M4)
21	0131M00950	ID MOTOR (M5, M6)
31	M0250565	SCREW-TC 1.25" (QTY 4)
41	B1392918	WASHER, FLAT 1/4 ID X 1 OD (QTY 4)

**Expanded Model Nomenclature**

M1 - DRH0483DDDCAA
M2 - DRH0483WDDCAA
M3 - DRH0484DDDCAA
M4 - DRH0484WDDCAA
M5 - DRH0487DDDCAA
M6 - DRH0487WDDCAA

# CONTROL BOX ASSEMBLY

## CONTROL BOX ASSEMBLY



CONTROL BOX ASSEMBLY MAY DIFFER FROM WHAT IS SHOWN

# CONTROL BOX ASSEMBLY

Ref. Part No: No:	Description:	Ref. Part No: No:	Description:
-------------------	--------------	-------------------	--------------

**Image 1:**

41	0130M00178	DPDT RELAY 24 VAC (QTY 2)
51	0130M00509	BLOCK POWER
111	0130L00005	GROUND LUG
121	802007090	TERM BOARD (QTY 2)
131	0130M00415	TERMINAL BOARD
191	CONT3P025024V	CONT, 3 POLE, 25 AMP, 24 VAC
191	CONT3P030024V	CONT, 3 POLE, 30 AMP, 24 VAC (M1, M2)
201	CONT2P025024V	CONT, 2 POLE, 25 AMP, 24 VAC
211	CONT3P025024V	CONT, 3 POLE, 25 AMP, 24 VAC
221	0130M00598	TRANSFMR, 75VA, 575V TO 24V (M5, M6)
221	0130M00594	TRANSFORMER (M1, M2)
221	0130M00595	TRANSFORMER, 75VA, 480V TO 24V (M3, M4)
501	0130L00227	OUTDOOR AIR TEMP SENSOR
701	0130M00579	DDC CONTROLLER 39IO
NS	0130L00164	CLASS CC FUSE 5A (M5, M6)
NS	BDG-ILINQA	DAIKIN ILINQ BACNET DES GUIDE
NS	QSG-ILINQA	DAIKIN ILINQ QUICK START GUIDE
NS	UM-ILINQA	DAIKIN ILINQ USER MANUAL
NS	B1393726	ELECT CONNECTING BUSHING (M5, M6)
NS	0130M00670	FUSE BLOCK CLASS CC (M5, M6)
NS	0130L00252	PROGRAM, APP, CONTROLLER, DDC
NS	0130L00226	SPACE TEMPERATURE SENSOR
NS	20520901	STRAP-CAPACITOR (QTY 6)

**Expanded Model Nomenclature**

M1 - DRH0483DDDCAA
M2 - DRH0483WDDCAA
M3 - DRH0484DDDCAA
M4 - DRH0484WDDCAA
M5 - DRH0487DDDCAA
M6 - DRH0487WDDCAA

# ACCESSORY PARTS LIST

NOTE: NOT ALL OPTIONS AVAILABLE FOR ALL PRODUCTS

FOR ACCESSORY PARTS SEE THE FOLLOWING PART MANUAL

**RP-FIOPSC\***

**RP-EHS[D/B]SC\***

**RP-EHX[D/B]SC\***

# ACCESSORY PARTS

**Ref. Part**

**No: No:**

**Description:**

**Ref. Part**

**No: No:**

**Description:**

---

**Image 1:**

NS RP-FIOPSC\* ACCESSORY RP MANUAL

NS RP-EHS(D/B)SC\* HEATER KIT RP MANUAL

NS RP-EH(D/B)SC\* HEATER KIT RP MANUAL

**Expanded Model Nomenclature**

M1 - DRH0483DDDCAA

M2 - DRH0483WDDCAA

M3 - DRH0484DDDCAA

M4 - DRH0484WDDCAA

M5 - DRH0487DDDCAA

M6 - DRH0487WDDCAA