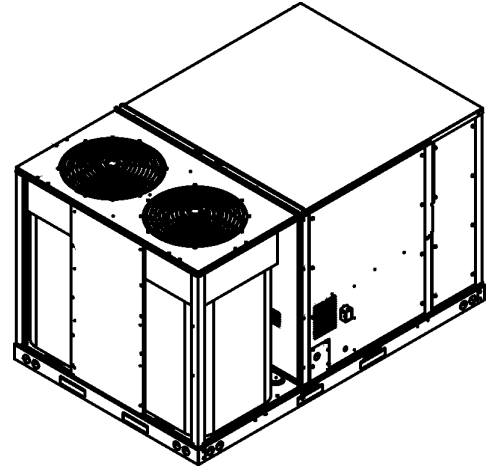


DRG 8.5 Ton Light Commercial Package Gas Unit

DRG1023DH00001SAA
DRG1023DL00001SAA
DRG1023DM00001SAA
DRG1024DH00001SAA
DRG1024DL00001SAA
DRG1024DM00001SAA
DRG1027DH00001SAA
DRG1027DL00001SAA
DRG1027DM00001SAA



This manual is to be used by qualified technicians only.

Important Information

Index

Functional Parts List	3
Illustration and Parts	4 - 17

Views shown are for parts illustrations only, not servicing procedures

Text Codes:

AR - As Required

NA - Not Available

NS - Not Shown

00000000 - See Note

QTY - Quantity Example (QTY 3) (If Quantity not shown, Quantity = 1)

M - Model Example (M1) (If M Code not shown, then part is used on all Models)

Expanded Model Nomenclature:

Example M1 - Model#1 M2 - Model#2 M3 - Model#3

Daikin Company, L.P. is not responsible for personal injury or property damage resulting from improper service. Review all service information before beginning repairs.

Warranty service must be performed by an authorized technician, using authorized factory parts. If service is required after the warranty expires, Daikin Company, L.P. also recommends contacting an authorized technician and using authorized factory parts.

Daikin Company, L.P. reserves the right to discontinue, or change at any time, specifications or designs without notice or without incurring obligations.

For assistance within the U.S.A. contact:

Equipment Support
Daikin North America, LLC
19001 Kermier Road
Waller, Texas 77484
855-770-5678-Telephone
713-863-2382-Facsimile

For assistance outside the U.S.A. contact:

International Division
Daikin North America, LLC
19001 Kermier Road
Waller, Texas 77484
713-861-2500-Telephone
713-863-2382-Facsimile

Functional Parts

Part No: **Description:**

0251L00079	ASSY., EXPANSION VALVE
0251L00080	ASSY., EXPANSION VALVE
0150L00003	BLADE-FAN 22" ALUM. CCW 30 DEG (QTY 2)
0163L00006	BURNER BECKETT
CAP100000370LA	CAP, 10 MFD/370V/OVAL (M1, M2, M3, M4, M5, M6)
CAP050000440LA	CAPACITOR (M7, M8, M9)
ZP44K5ETFD130	COMP 44000, 460/60/3 (M4, M5, M6)
ZP44K5ETF5130	COMP, 44000, 200/230/60/3 (M1, M2, M3)
ZP44K5ETFE130	COMP, 44000, 575/60/3 (M7, M8, M9)
CONT2P025024V	CONT 2 POLE 25 AMP 24 VAC
CONT3P030024V	CONT, 3 POLE 30 AMP 24VAC (QTY 3)
0130M00582	CONTROL, DEFROST (QTY 2)
0130M00178	DPDT RELAY 24VAC (QTY 3)
0130F00010	FLAME SENSOR
0151L00000	GAS VALVE MANIFOLD 36H
0130M00074	HIGH PRESSURE SWITCH
0130L00251	IGNITOR
20162904	LIMIT, PRIMARY
20162901	LIMIT, PRIMARY
10123527	LIMIT-RESET MAN-BROWN (M3, M6, M9)
10123532	LIMIT-RESET MAN-GRAY (M1, M2, M4, M5, M7, M8)
0130M00075	LOW PRESSURE SWITCH
0131L00236	MOTOR CONTROLLER (M1, M2, M3)
0131L00238	MOTOR CONTROLLER (M4, M5, M6)
0131L00240	MOTOR CONTROLLER (M7, M8, M9)
0131M00907	MOTOR, HP, 1/3, OD (M4, M5, M6)
0131M00908	MOTOR, HP, 1/3, OD, LAK (M7, M8, M9)
0131M00906	MOTOR, HP, 1/3, SP, 1, PL, 6 (M1, M2, M3)
0131L00154	MOTOR, PROGRAMMED (M2, M5, M8)
0131L00196	MOTOR, PROGRAMMED (M3, M6, M9)
0131L00218	MOTOR, PROGRAMMED (M1, M4, M7)
PCBAG123	PCB IGNITION DSI INTEG
11112501	SWITCH-PRESSURE
B1370772	TIME DELAY ICM 180SEC DELA
0130M00598	TRANSFMR 75VA 575V TO 24V (M7, M8, M9)
0130M00596	TRANSFMR, 150VA, 480V TO 23 (M4, M5, M6)
0130M00597	TRANSFMR, 150VA, 575V TO 230V (M7, M8, M9)
0130M00594	TRANSFORMER (M1, M2, M3)
0130M00595	TRANSFORMER, 75VA, 480V TO 24V (M4, M5, M6)
0131L00120	VENT MOTOR

Expanded Model Nomenclature

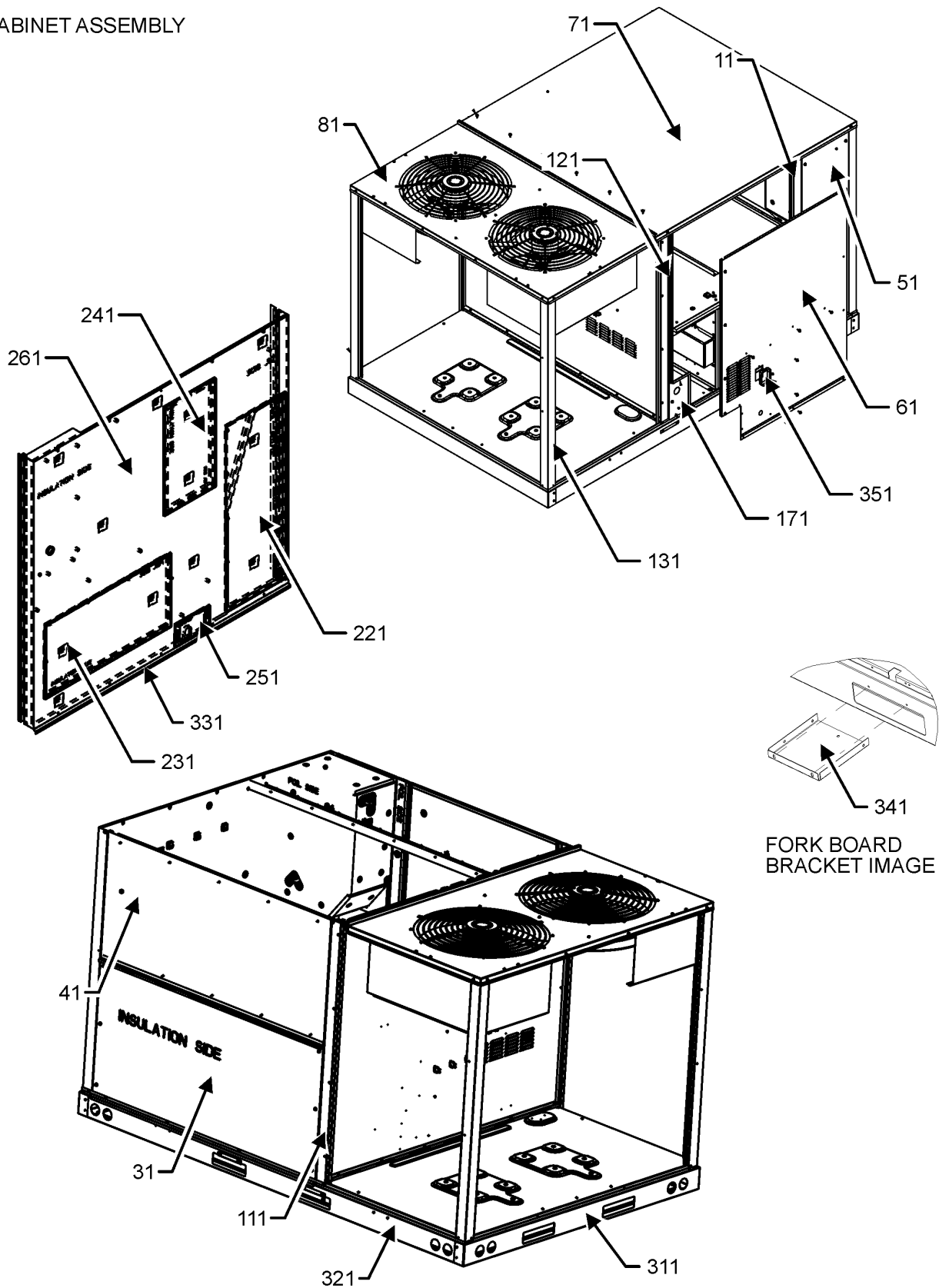
M1 - DRG1023DH00001SAA
M2 - DRG1023DL00001SAA
M3 - DRG1023DM00001SAA
M4 - DRG1024DH00001SAA
M5 - DRG1024DL00001SAA
M6 - DRG1024DM00001SAA
M7 - DRG1027DH00001SAA
M8 - DRG1027DL00001SAA
M9 - DRG1027DM00001SAA

SPECIAL PARTS

RP-FIOPMC*	ACCESSORY RP MANUAL
RP-HXMC*	HEAT EXCHANGE FOR MEDIUM CHASSIS RP MANUAL
RP-EHS(D/B)MC*	HEATER KIT RP MANUAL
RP-EHX(D/B)MC*	HEATER KIT RP MANUAL

CABINET ASSEMBLY

CABINET ASSEMBLY



CABINET ASSEMBLY MAY DIFFER FROM WHAT IS SHOWN

CABINET ASSEMBLY

Ref. Part No: No:	Description:	Ref. Part No: No:	Description:
----------------------	--------------	----------------------	--------------

Image 1:

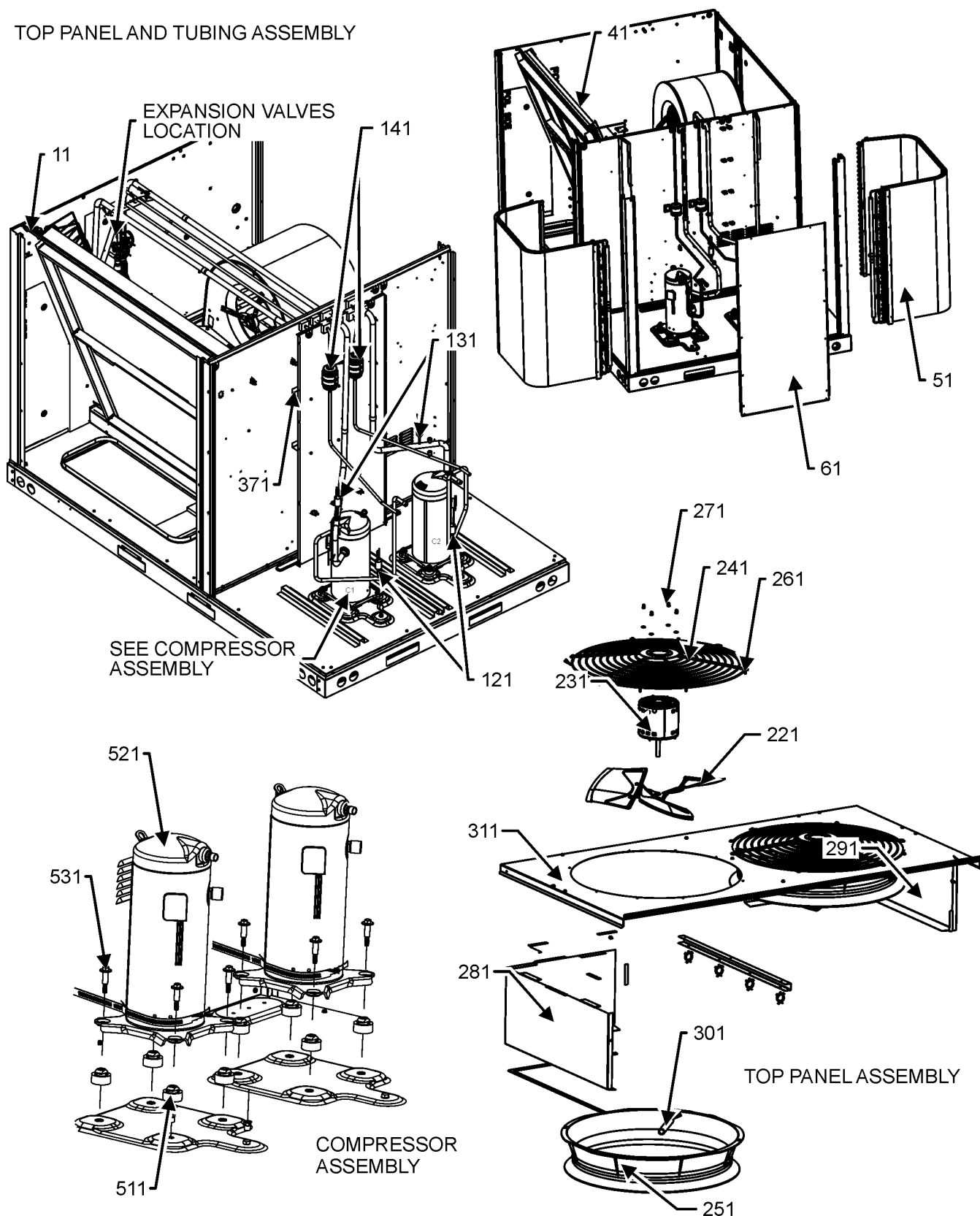
11	0121L04041SB	PAINTED, PANEL, SIDE POST
31	0121L04154SB	PAINTED, ECONOMIZER PANEL
41	0121L03188SB	PAINTED, FILTER PANEL-7.5 TON
51	0121L02952SB	PAINTED, CONTROL PANEL
61	0121L03822SB	PAINTED, BLOWER PANEL
71	0121L02428SB	PAINTED, TOP PANEL INDOOR
81	0121L02437SB	PAINTED PANEL OUTDOOR TOP
111	0121L03187SB	PAINTED, SIDE POST
121	0121L03469SB	PAINTED, SIDE POST
131	0121L03902SB	PAINTED, PANEL, CORNER POST (QTY 2)
171	0121L03464SB	PAINTED, GAS ACCESS PANEL
221	0121L03508SB	PAINTED COVER DUCT RETURN
231	0121L02921SB	PAINTED COVER DUCT SUPPLY
241	0121L02599SB	PAINTED, TXV PANEL
251	0121L03958SB	PAINTED, DRAIN PAN COVER
261	0121L03959SB	PAINTED, PANEL, DUCT
311	0121L04127	BASE RAIL (QTY 2)
321	0121L01910	END RAIL
331	0121L01920	END RAIL
341	0121L03727	BRACKET-FORK BOARD (QTY 4)
351	0121L03481SB	PAINTED BRKT FLUE COLLAR
NS	0141L00084	BOARD FORK (QTY 2)

Expanded Model Nomenclature

M1 - DRG1023DH00001SAA
M2 - DRG1023DL00001SAA
M3 - DRG1023DM00001SAA
M4 - DRG1024DH00001SAA
M5 - DRG1024DL00001SAA
M6 - DRG1024DM00001SAA
M7 - DRG1027DH00001SAA
M8 - DRG1027DL00001SAA
M9 - DRG1027DM00001SAA

TOP PANEL AND TUBING ASSEMBLY

TOP PANEL AND TUBING ASSEMBLY



NOTE: TOP PANEL AND TUBING ASSEMBLY MAY DIFFER FROM WHAT IS SHOWN

TOP PANEL AND TUBING ASSEMBLY

Ref. Part No: No:	Description:	Ref. Part No: No:	Description:
-------------------	--------------	-------------------	--------------

Image 1:

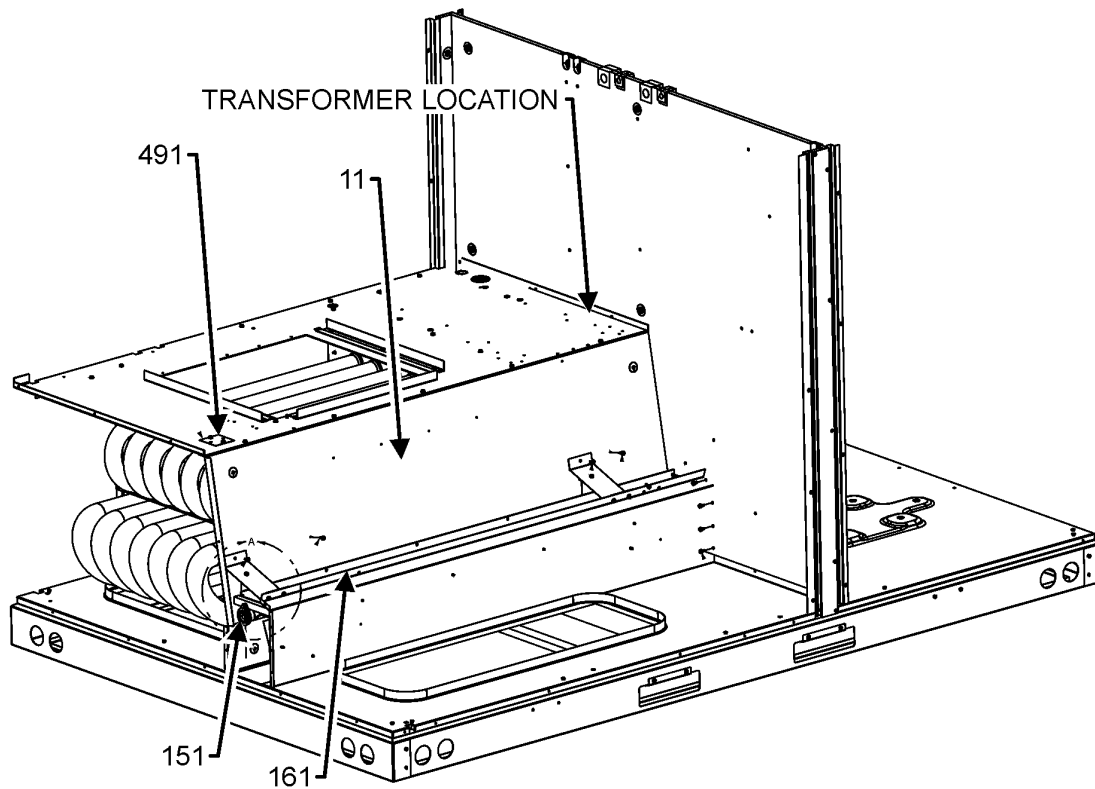
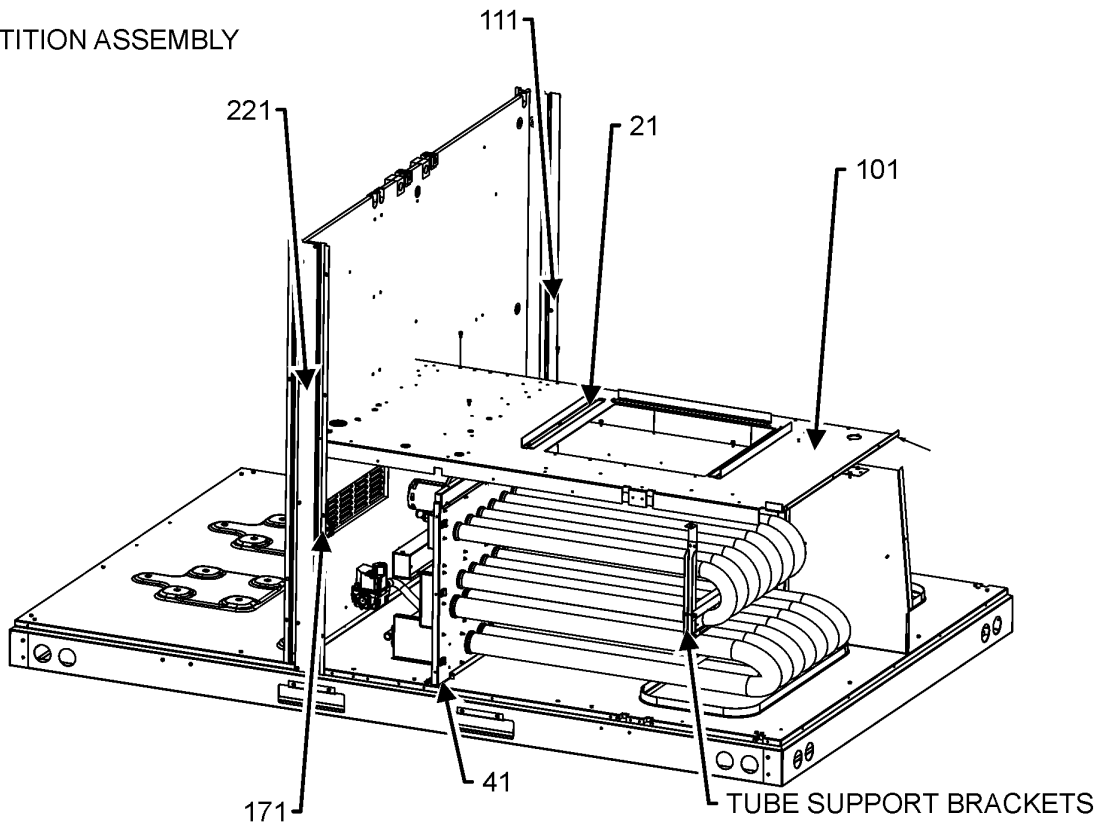
11	0130M00582	CONTROL, DEFROST (QTY 2)
41	0202L00266	ASSY., EVAP COIL
51	0201L00608	ASSY. OD COIL CIRCUITING (QTY 2)
61	0121L04202SB	PAINTED, PANEL, OUTDOOR
121	0130M00074	HIGH PRESSURE SWITCH
131	0130M00075	LOW PRESSURE SWITCH
141	0162R00056	FILTER/DRIER-BI-FLOW
221	0150L00003	BLADE-FAN 22" ALUM. GCW 30 DEG (QTY 2)
231	0131M00907	MOTOR, HP, 1/3, OD (M4, M5, M6)
231	0131M00908	MOTOR, HP, 1/3, OD, LAK (M7, M8, M9)
231	0131M00906	MOTOR, HP, 1/3, SP, 1, PL, 6 (M1, M2, M3)
241	0152G00000	FAN GRILLE, RAISED (QTY 2)
251	0161R00048	MOLDED RING VENTURI 22 (QTY 2)
261	0163M00004	SCREW #10X3/4 BLK (QTY 16)
271	0163M00006P	NUT, ACORN 5/16 HEX BLACK (QTY 8)
281	0121L02894	COIL BLOCKOFF
291	0121L02897	COIL BLOCKOFF
301	0161R00003P	CONDUIT (QTY 2)
311	0121L02437SB	PAINTED PANEL OUTDOOR TOP
371	0121L02573	C CHANNEL (QTY 2)
511	B1339533	GROMMET, COMPRESSOR (QTY 8)
521	ZP44K5ETFD130	COMP 44000, 460/60/3 (M4, M5, M6)
521	ZP44K5ETF5130	COMP, 44000, 200/230/60/3 (M1, M2, M3)
521	ZP44K5ETFE130	COMP, 44000, 575/60/3 (M7, M8, M9)
531	B1393740	COMP BOLT & SLEEVE (QTY 8)
NS	0160L00137	AIR FILTER (QTY 2)
NS	0160L00267	AIR FILTER (QTY 2)
NS	0251L00079	ASSY., EXPANSION VALVE
NS	0251L00080	ASSY., EXPANSION VALVE
NS	0159L00066	Harness, comp scroll
NS	0159L00067	Harness, comp scroll
NS	M0272803	WASHER LOCK (QTY 4)
NS	0163M00005P	WASHER, BLACK .50OD.218ID (QTY 8)

Expanded Model Nomenclature

- M1 - DRG1023DH00001SAA
- M2 - DRG1023DL00001SAA
- M3 - DRG1023DM00001SAA
- M4 - DRG1024DH00001SAA
- M5 - DRG1024DL00001SAA
- M6 - DRG1024DM00001SAA
- M7 - DRG1027DH00001SAA
- M8 - DRG1027DL00001SAA
- M9 - DRG1027DM00001SAA

PARTITION ASSEMBLY

PARTITION ASSEMBLY



PARTITION ASSEMBLY MAY DIFFER FROM WHAT IS SHOWN

PARTITION ASSEMBLY

Ref. Part No:	No:	Description:	Ref. Part No:	No:	Description:
---------------	-----	--------------	---------------	-----	--------------

Image 1:

11	0121L03677	BLOWER DECK, BOTTOM
21	0121L02651	BLOWER SLIDE PLATE (QTY 3)
41	0121L02337	HEAT EXCHANGER RAIL
41	0121L03676	HEAT EXCHANGER RAIL
101	0121L04124	PANEL, BLOWER DECK
111	0121L03469SB	PAINTED, SIDE POST
151	0154L00180	GASKET, DRAIN PAN
161	0161L00002	DRAIN PAN EVAP 7TO12
171	11112501	SWITCH-PRESSURE
221	0121L03187SB	PAINTED, SIDE POST
491	0121L00321	COVER SMOKE DETECTOR
NS	0121L02903	BRACKET, TUBE SUPPORT
NS	0121L02904	BRACKET, TUBE SUPPORT
NS	0121L04024	BRACKET, TUBE SUPPORT
NS	0121L02929	BRACKET, MOUNT SUPPORT TUBE
NS	0154L00157	GASKET
NS	0161L00012	PLUG DRAIN PAN

Expanded Model Nomenclature

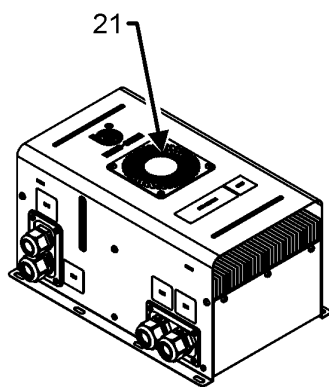
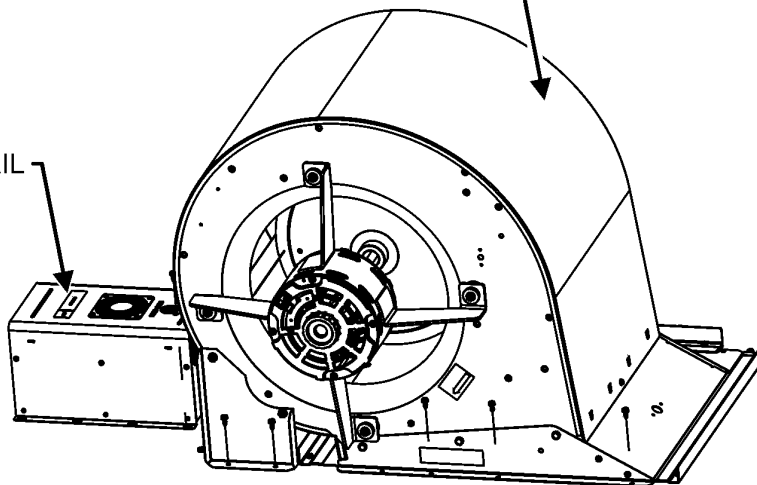
M1 - DRG1023DH00001SAA
M2 - DRG1023DL00001SAA
M3 - DRG1023DM00001SAA
M4 - DRG1024DH00001SAA
M5 - DRG1024DL00001SAA
M6 - DRG1024DM00001SAA
M7 - DRG1027DH00001SAA
M8 - DRG1027DL00001SAA
M9 - DRG1027DM00001SAA

BLOWER ASSEMBLY

BLOWER ASSEMBLY

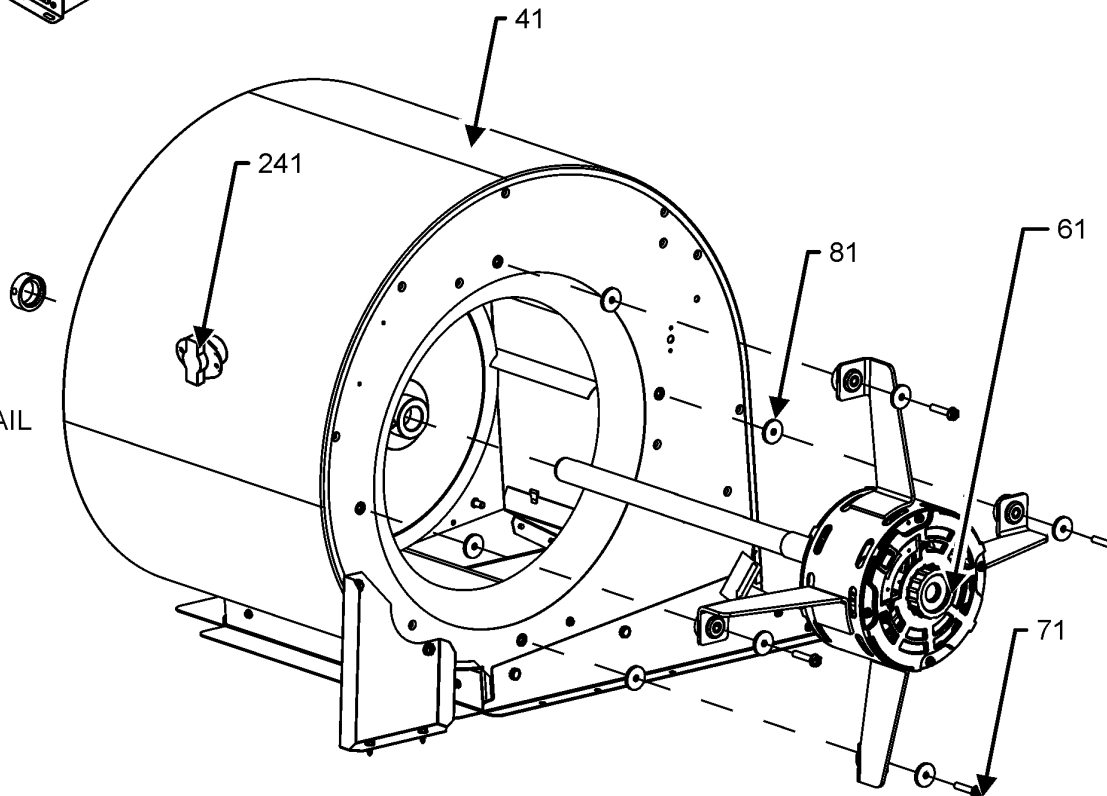
SEE BLOWER DETAIL

SEE MOTOR CONTROLLER DETAIL



MOTOR CONTROLLER DETAIL

BLOWER DETAIL



BLOWER ASSEMBLY MAY DIFFER FROM WHAT IS SHOWN

BLOWER ASSEMBLY

Ref. Part No: No:	Description:	Ref. Part No: No:	Description:
-------------------	--------------	-------------------	--------------

Image 1:

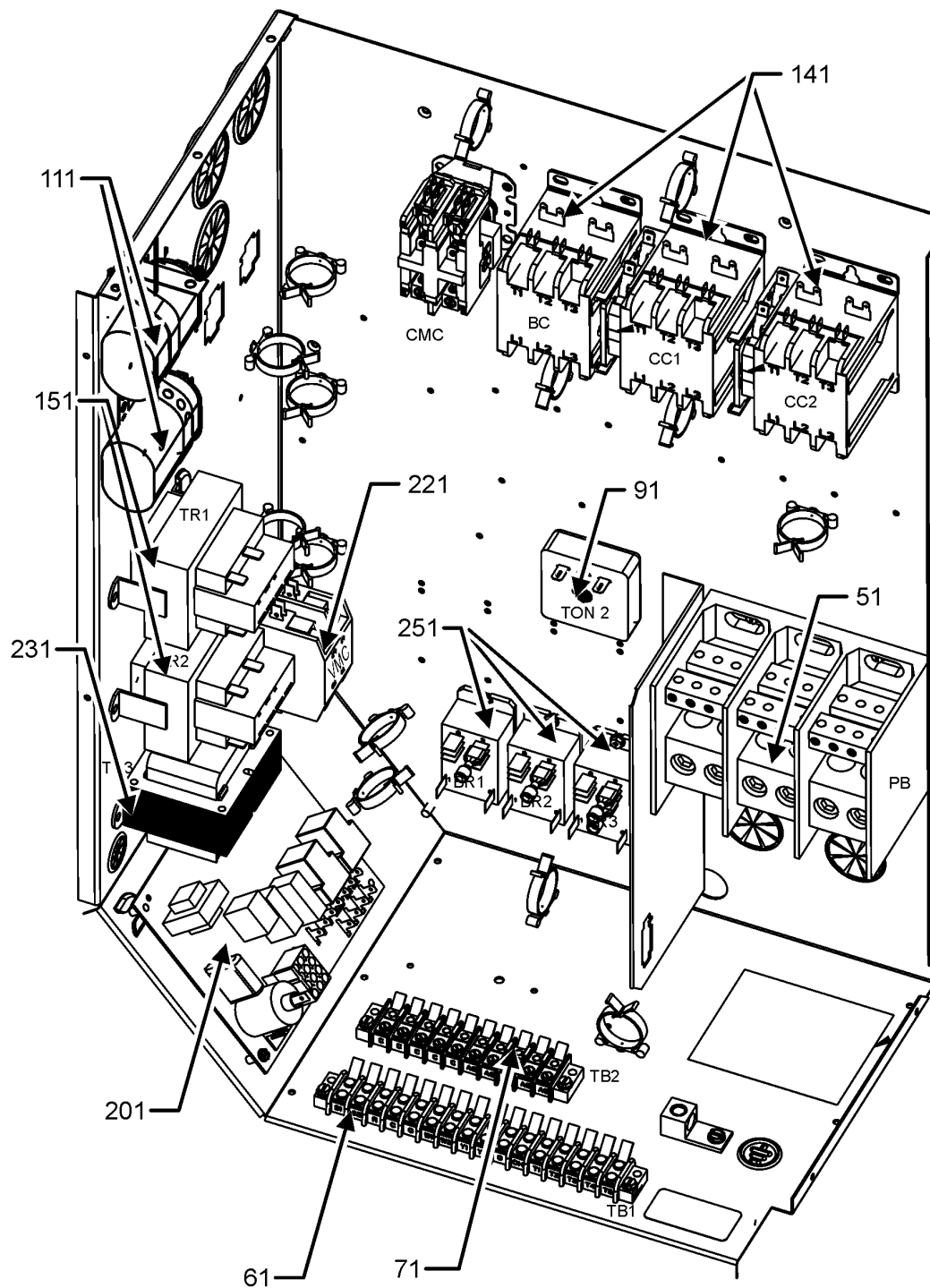
21	0131L00236	MOTOR CONTROLLER (M1, M2, M3)
21	0131L00238	MOTOR CONTROLLER (M4, M5, M6)
21	0131L00240	MOTOR CONTROLLER (M7, M8, M9)
41	0271L00147	ASSY, BLOWER PURCHASED 16X16
61	0131L00154	MOTOR, PROGRAMMED (M2, M5, M8)
61	0131L00196	MOTOR, PROGRAMMED (M3, M6, M9)
61	0131L00218	MOTOR, PROGRAMMED (M1, M4, M7)
71	M0250565	SCREW-TC 1.25" (QTY 4)
81	B1392918	WASHER FLAT 1/4IDX1OD (QTY 8)
241	20162904	LIMIT, PRIMARY

Expanded Model Nomenclature

- M1 - DRG1023DH00001SAA
- M2 - DRG1023DL00001SAA
- M3 - DRG1023DM00001SAA
- M4 - DRG1024DH00001SAA
- M5 - DRG1024DL00001SAA
- M6 - DRG1024DM00001SAA
- M7 - DRG1027DH00001SAA
- M8 - DRG1027DL00001SAA
- M9 - DRG1027DM00001SAA

CONTROL BOX ASSEMBLY

CONTROL PANEL ASSEMBLY



CONTROL BOX ASSEMBLY MAY DIFFER FROM WHAT IS SHOWN

CONTROL BOX ASSEMBLY

Ref. Part No:	Part No:	Description:	Ref. Part No:	Part No:	Description:
---------------	----------	--------------	---------------	----------	--------------

Image 1:

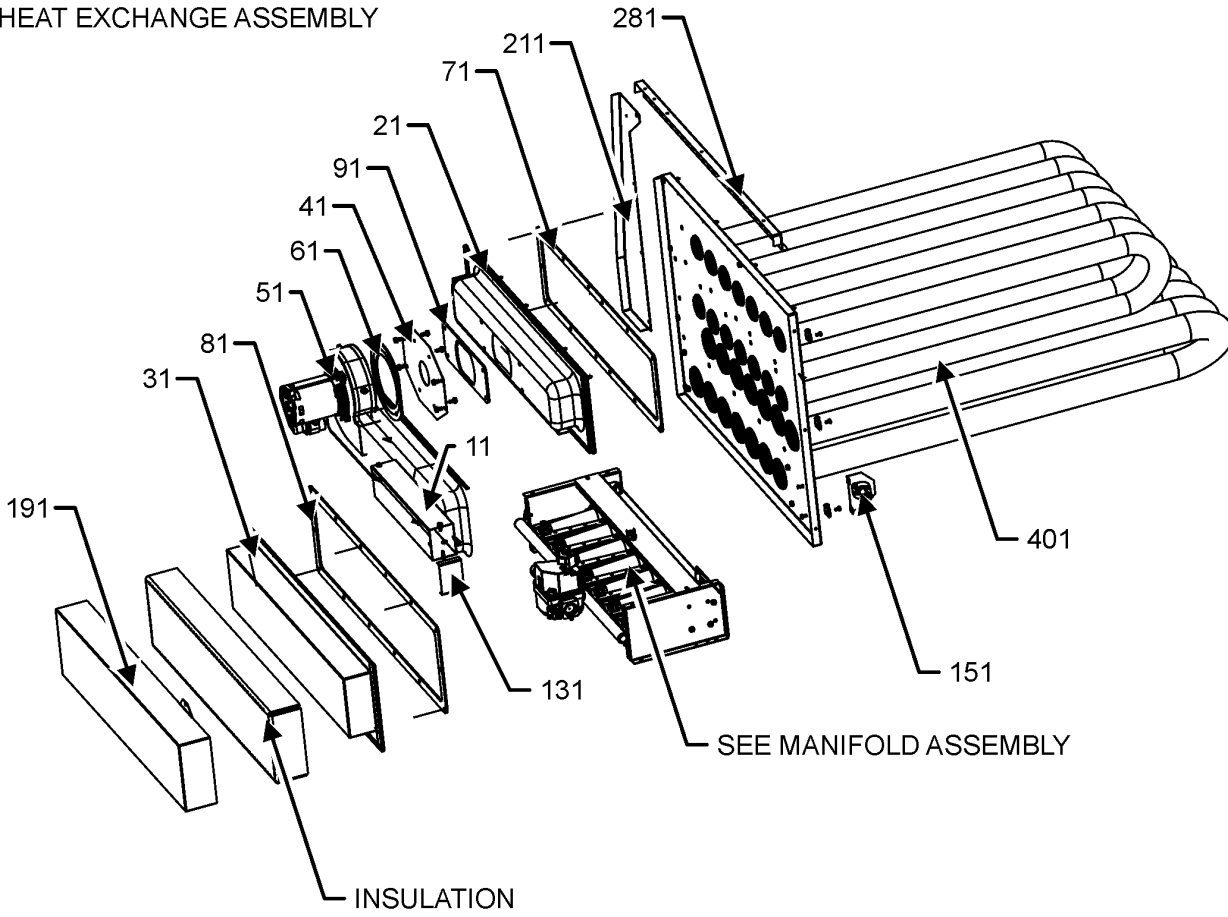
51	0130L00217	POWER,BLOCK			
61	0130M00038	TERMINAL BOARD			
71	0130M00443	TERMINAL BLOCK			
91	B1370772	TIME DELAY ICM 180SEC DELA			
111	CAP100000370LA	CAP, 10 MFD/370V/OVAL (M1, M2, M3, M4, M5, M6)			
111	CAP050000440LA	CAPACITOR (M7, M8, M9)			
141	CONT3P030024V	CONT, 3 POLE 30 AMP 24VAC (QTY 3)			
151	0130M00598	TRANSFMR 75VA 575V TO 24V (M7, M8, M9)			
151	0130M00594	TRANSFORMER (M1, M2, M3)			
151	0130M00595	TRANSFORMER, 75VA, 480V TO 24V (M4, M5, M6)			
201	PCBAG123	PCB IGNITION DSI INTEG			
221	CONT2P025024V	CONT 2 POLE 25 AMP 24 VAC			
231	0130M00596	TRANSFMR, 150 VA, 480V TO 23 (M4, M5, M6)			
231	0130M00597	TRANSFMR, 150 VA, 575V TO 230V (M7, M8, M9)			
251	0130M00178	DPDT RELAY 24VAC (QTY 3)			
NS	B821700	BOOT CAPACITOR (QTY 2)			
NS	20520901	STRAP-CAPACITOR (QTY 7)			

Expanded Model Nomenclature

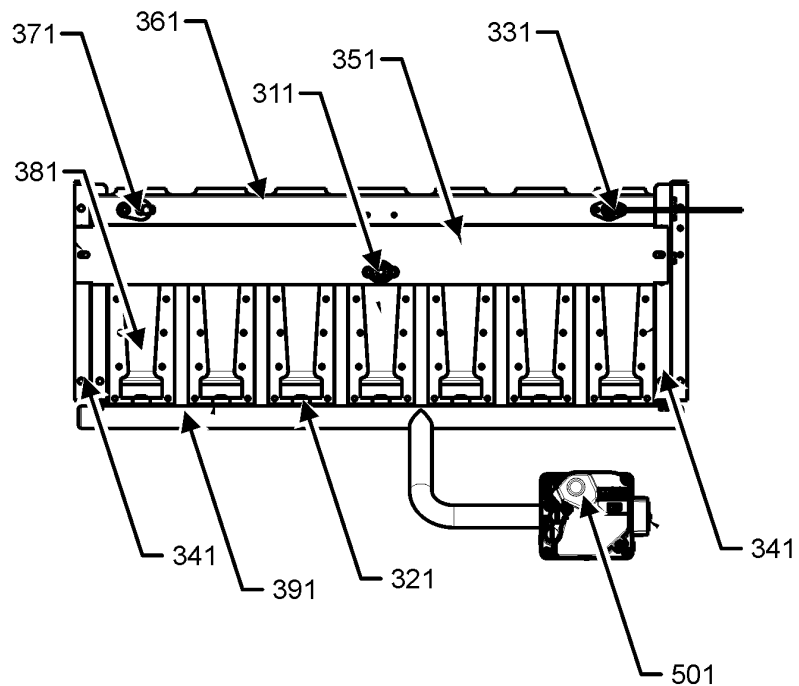
M1 - DRG1023DH00001SAA
M2 - DRG1023DL00001SAA
M3 - DRG1023DM00001SAA
M4 - DRG1024DH00001SAA
M5 - DRG1024DL00001SAA
M6 - DRG1024DM00001SAA
M7 - DRG1027DH00001SAA
M8 - DRG1027DL00001SAA
M9 - DRG1027DM00001SAA

HEAT EXCHANGE ASSEMBLY

HEAT EXCHANGE ASSEMBLY



MANIFOLD ASSEMBLY



HEAT EXCHANGE ASSY MAY DIFFER FROM WHAT IS SHOWN

HEAT EXCHANGE ASSEMBLY

Ref. Part No:	Part No:	Description:	Ref. Part No:	Part No:	Description:
Image 1:					
11	0121L03623	FLUE HT EXCH (QTY 2)			
21	0121L02892	BOX, COLLECTOR UPPER			
31	0121L02893	BOX, COLLECTOR LOWER			
41	0121L03181	PLATE, ORIFICE (M1, M4, M7)			
41	0121L03193	PLATE, ORIFICE (M2, M5, M8)			
41	0121L03195	PLATE, ORIFICE (M3, M6, M9)			
51	0131L00120	VENT MOTOR			
61	0154L00141	GASKET			
71	0154L00039	GASKET			
81	0154L00038	GASKET			
91	0154L00040	GASKET			
131	0163L00006	SCREEN FLUE			
151	20162901	LIMIT, PRIMARY			
191	0121L02660	COVER INSUL BOX COLL LOWER			
211	0121L03220	HEAT EXCHANGER BLOCKOFF			
281	0121L03221	SUPPORT BLOCKOFF HT EXCH			
311	10123527	LIMIT-RESET MAN-BROWN (M3, M6, M9)			
311	10123532	LIMIT-RESET MAN-GRAY (M1, M2, M4, M5, M7, M8)			
321	0163L00020	ORIFICE (M1, M4, M7)			
321	0163L00021	ORIFICE (M3, M6, M9)			
321	0163L00195	ORIFICE (M2, M5, M8)			
331	0130L00251	IGNITOR			
341	0121L02998	BRACKET SUPPORT BURNER (QTY 2)			
351	0121L03025	BRACKET, ROLLOUT, FLAME, BR, 5 (M2, M5, M8)			
351	0121L03024	BRACKET, ROLLOUT, FLAME, BR, 6 (M3, M6, M9)			
351	0121L03023	BRACKET, ROLLOUT, FLAME, BR, 7 (M1, M4, M7)			
361	0121L02692	BRACKET, BURNER, 5 (M2, M5, M8)			
361	0121L02691	BRACKET, BURNER, 6 (M3, M6, M9)			
361	0121L02690	BRACKET, BURNER, 7 (M1, M4, M7)			
371	0130F00010	FLAME SENSOR			
381	0163L00006	BURNER BECKETT			
391	0163L00144	MANIFOLD (M1, M4, M7)			
391	0163L00145	MANIFOLD (M3, M6, M9)			
391	0163L00162	MANIFOLD (M2, M5, M8)			
401	0270L01355	ASSY, PANEL PARTITION (M1, M4, M7)			
401	0270L01356	ASSY, PANEL PARTITION (M3, M6, M9)			
401	0270L01357	ASSY, PANEL PARTITION (M2, M5, M8)			
501	0151L00000	GAS VALVE MANIFOLD 36H			
NS	0121L02859	BRACKET, LIMIT PRIMARY			
NS	0259L01055	WIRE HARNESS ASSY			

Expanded Model Nomenclature

M1 - DRG1023DH00001SAA
M2 - DRG1023DL00001SAA
M3 - DRG1023DM00001SAA
M4 - DRG1024DH00001SAA
M5 - DRG1024DL00001SAA
M6 - DRG1024DM00001SAA
M7 - DRG1027DH00001SAA
M8 - DRG1027DL00001SAA
M9 - DRG1027DM00001SAA

ACCESSORY PARTS LIST

NOTE: NOT ALL OPTIONS AVAILABLE FOR ALL PRODUCTS

FOR ACCESSORY PARTS SEE THE FOLLOWING PART MANUAL

RP-FIOPMC

ACCESSORY PARTS

Ref. Part No:	No:	Description:	Ref. Part No:	No:	Description:
---------------	-----	--------------	---------------	-----	--------------

Image 1:

NS	RP-FIOPMC*	ACCESSORY RP MANUAL
NS	RP-HXMC*	HEAT EXCHANGE FOR MEDIUM CHASSIS RP MANUAL
NS	RP-EHS(D/B)MC*	HEATER KIT RP MANUAL
NS	RP-EH(D/B)MC*	HEATER KIT RP MANUAL

Expanded Model Nomenclature

- M1 - DRG1023DH00001SAA
- M2 - DRG1023DL00001SAA
- M3 - DRG1023DM00001SAA
- M4 - DRG1024DH00001SAA
- M5 - DRG1024DL00001SAA
- M6 - DRG1024DM00001SAA
- M7 - DRG1027DH00001SAA
- M8 - DRG1027DL00001SAA
- M9 - DRG1027DM00001SAA