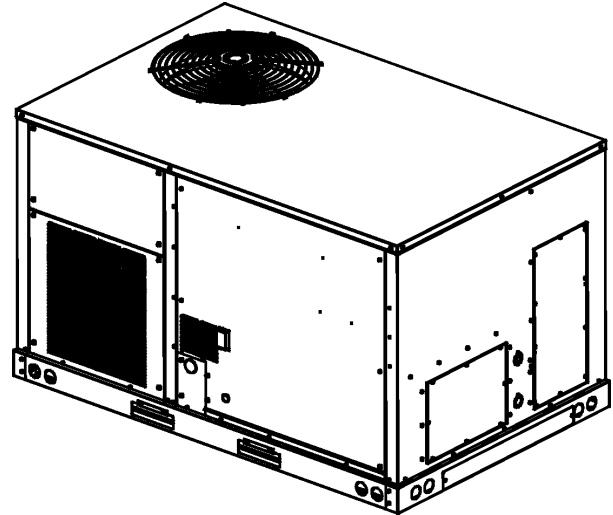


Commercial 5 Ton DDC Control Package Gas Unit

DRG0603DDDCAA
DRG0603WDDCAA
DRG0604DDDCAA
DRG0604WDDCAA
DRG0607DDDCAA
DRG0607WDDCAA



This manual is to be used by qualified technicians only.

Important Information

Index

Functional Parts List	3
Illustration and Parts	4 - 15

Views shown are for parts illustrations only, not servicing procedures

Text Codes:

AR - As Required

NA - Not Available

NS - Not Shown

00000000 - See Note

QTY - Quantity Example (QTY 3) (If Quantity not shown, Quantity = 1)

M - Model Example (M1) (If M Code not shown, then part is used on all Models)

Expanded Model Nomenclature:

Example M1 - Model#1 M2 - Model#2 M3 - Model#3

Daikin Company, L.P. is not responsible for personal injury or property damage resulting from improper service. Review all service information before beginning repairs.

Warranty service must be performed by an authorized technician, using authorized factory parts. If service is required after the warranty expires, Daikin Company, L.P. also recommends contacting an authorized technician and using authorized factory parts.

Daikin Company, L.P. reserves the right to discontinue, or change at any time, specifications or designs without notice or without incurring obligations.

For assistance within the U.S.A. contact:

Equipment Support
Daikin North America, LLC
19001 Kermier Road
Waller, Texas 77484
855-770-5678-Telephone
713-863-2382-Facsimile

For assistance outside the U.S.A. contact:

International Division
Daikin North America, LLC
19001 Kermier Road
Waller, Texas 77484
713-861-2500-Telephone
713-863-2382-Facsimile

Functional Parts

Part

No: Description:

10625733	BLADE-FAN 22" ALUM CCW
0130L00164	CLASS CC FUSE 5A (M5, M6)
ZPS49K5ETF5130	COMP, 49000/208/230/60/3 2 ST (M1, M2)
ZPS49K5ETFE130	COMPRESSOR (M5, M6)
ZPS49K5ETFD130	COMPRESSOR (M3, M4)
CONT2P025024V	CONT, 2 POLE, 25 AMP, 24 VAC
CONT3P025024V	CONT, 3 POLE, 25 AMP, 24 VAC
CONT3P030024V	CONT, 3 POLE, 30 AMP, 24 VAC (M1, M2)
0130M00579	DDC CONTROLLER 39IO
0130M00178	DPDT RELAY 24VAC
0130L00228	DUCT TEMP SENSOR
0130M00280	HIGH PRESSURE SWITCH
0131M00878	ID MOTOR (M6)
0131M00877	ID MOTOR (M4)
0131M00948	ID MOTOR (M1)
0131M00949	ID MOTOR (M3)
0131M00876	ID MOTOR (M2)
0131M00950	ID MOTOR (M5)
0130M00087	LOW PRESSURE SWITCH
0131M00919	MOTOR (M3, M4)
0131M00804	MOTOR, ECM (M1, M2, M5, M6)
0130L00227	OUTDOOR AIR TEMP SENSOR
PCBAG123	PCB, IGNITION, DSI, INTEG
0130F00647	PRESSURE SWITCH
0130L00252	PROGRAM, APP, CONTROLLER, DDC
0130L00226	SPACE TEMPERATURE SENSOR
11112501	SWITCH-PRESSURE
0130M00596	TRANSFMR, 150VA, 480V TO 23 (M3, M4)
0130M00597	TRANSFMR, 150VA, 575V TO 230V (M5, M6)
0130M00598	TRANSFMR, 75VA, 575V TO 24V (M5, M6)
0130M00668	TRANSFORMER (M5, M6)
0130M00594	TRANSFORMER (M1, M2)
0130M00595	TRANSFORMER, 75VA, 480V TO 24V (M3, M4)

SPECIAL PARTS

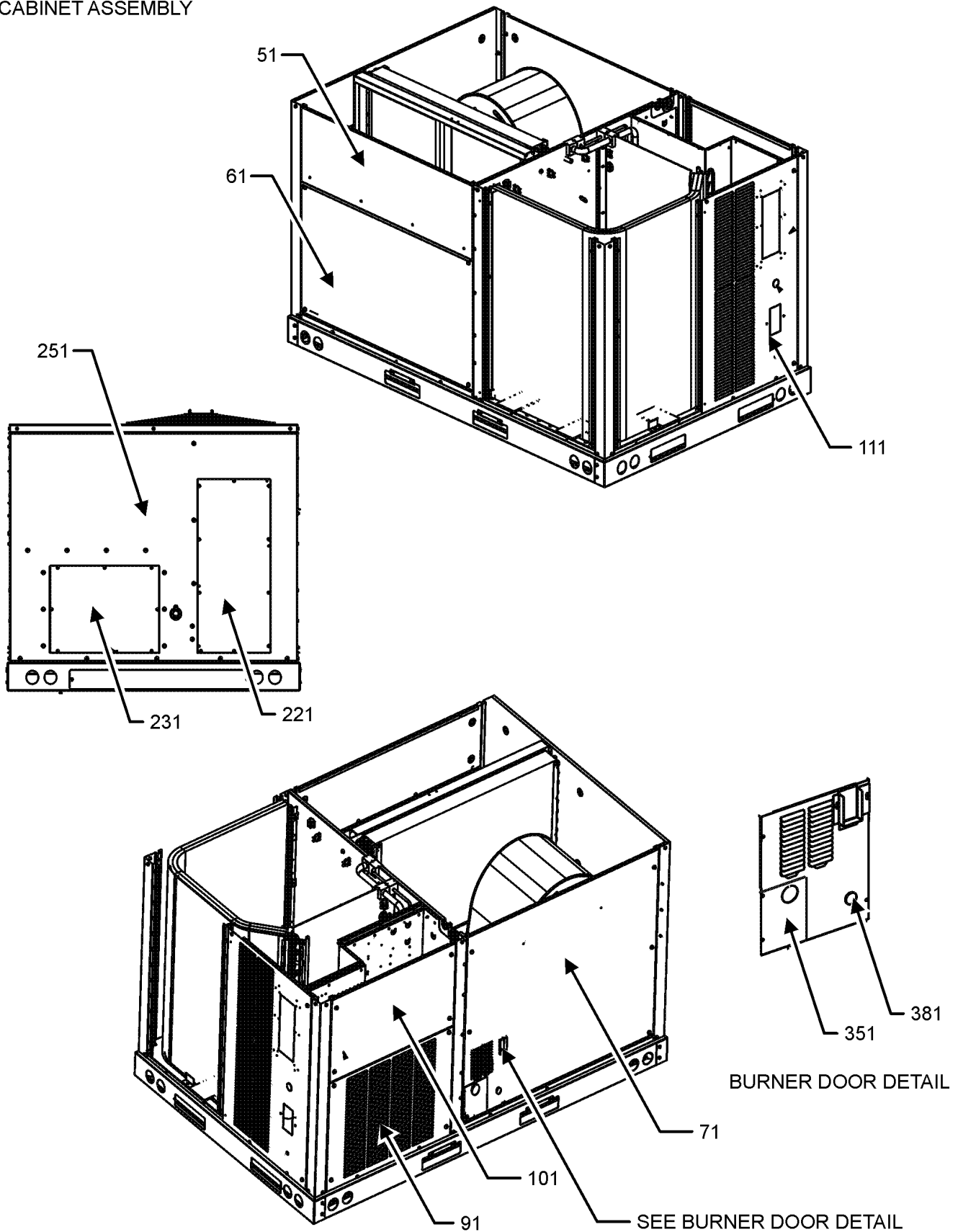
RP-FIOPSC*	ACCESSORY RP MANUAL
BDG-ILINQA	DAIKIN ILINQ BACNET DES GUIDE
QSG-ILINQA	DAIKIN ILINQ QUICK START GUIDE DAIKIN
UM-ILINQA	ILINQ USER MANUAL
RP-HXSC*	HEAT EXCHANGE RP MANUAL
RP-EHS(D/B)SC*	HEATER KIT RP MANUAL
RP-EHX(D/B)SC*	HEATER KIT RP MANUAL

Expanded Model Nomenclature

M1 - DRG0603DDDCAA
M2 - DRG0603WDDCAA
M3 - DRG0604DDDCAA
M4 - DRG0604WDDCAA
M5 - DRG0607DDDCAA
M6 - DRG0607WDDCAA

CABINET ASSEMBLY

CABINET ASSEMBLY



CABINET ASSEMBLY

Ref. Part No: No:	Description:	Ref. Part No: No:	Description:
------------------------------	---------------------	------------------------------	---------------------

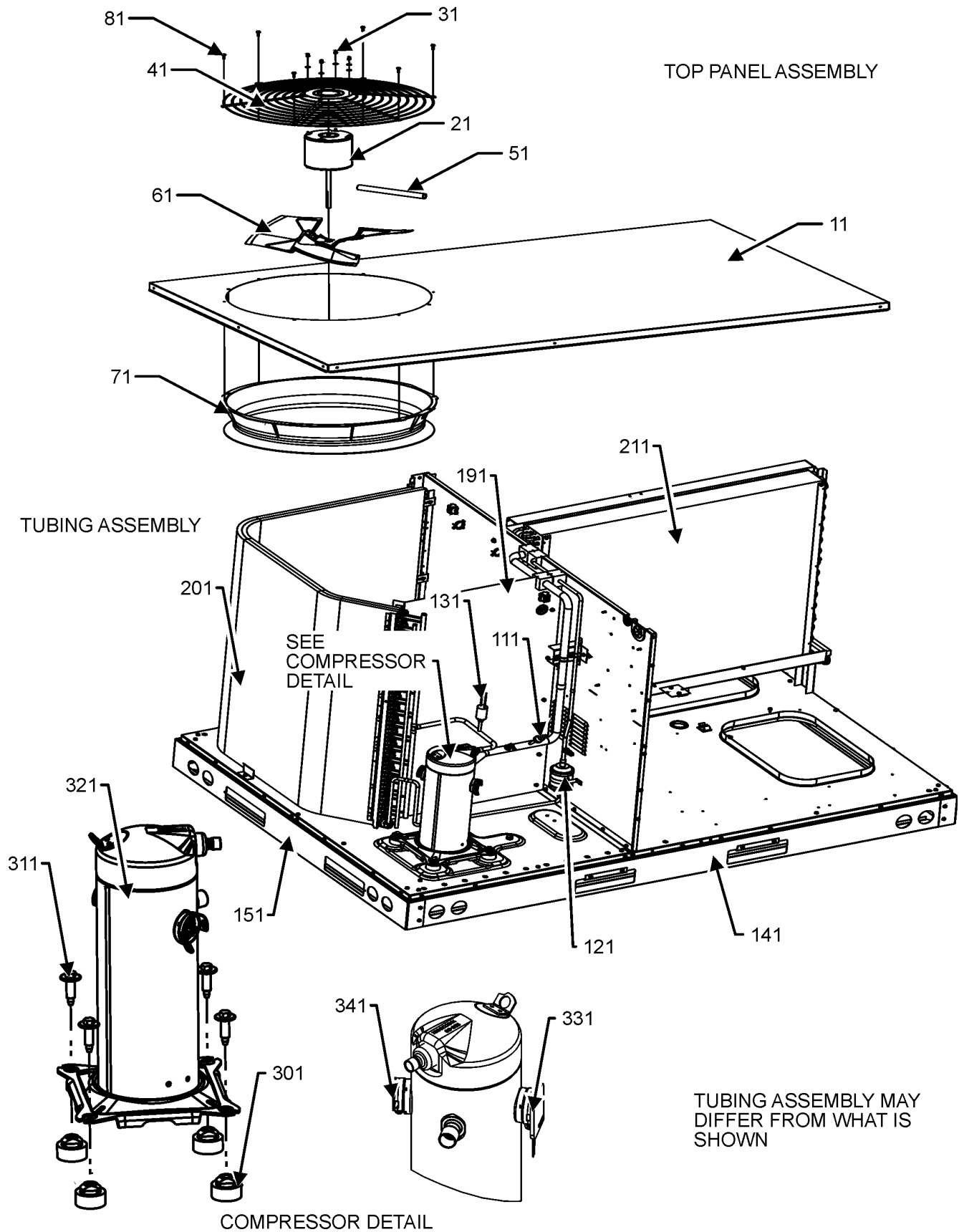
Image 1:

51	0121L01650SB	PAINTED FILTER PANEL
61	0121L01651SB	PAINTED ECONOMIZER PANEL
71	0121L03627SB	PAINTED, PANEL GAS BLOWER
91	0121L02265SB	PAINTED COMPRESSOR PANEL
101	0121L02262SB	PAINTED CONTROL BOX PANEL
111	0121L03643SB	PAINTED, COMPRESSOR BACK PANEL
221	0121L02910SB	PAINTED COVER-DUCT RETURN
231	0121L02911SB	PAINTED COVER-DUCT SUPPLY
251	0121L03346SB	PAINTED, DUCT PANEL
351	0121L03443SB	PAINTED, GAS INLET PANEL
381	B1392139	VIEW PORT BUSHING, CLEAR 1.00
NS	B1910010	GAS LINE GROMMET
NS	0121L03892	HEAT EXCHANGER FLASHING
NS	0121L03288SB	PAINTED, COLLAR, FLUE

Expanded Model Nomenclature

M1 - DRG0603DDDCAA
M2 - DRG0603WDDCAA
M3 - DRG0604DDDCAA
M4 - DRG0604WDDCAA
M5 - DRG0607DDDCAA
M6 - DRG0607WDDCAA

TOP PANEL AND TUBING ASSEMBLY



TOP PANEL AND TUBING ASSEMBLY

Ref. Part No: No:	Description:	Ref. Part No: No:	Description:
-------------------	--------------	-------------------	--------------

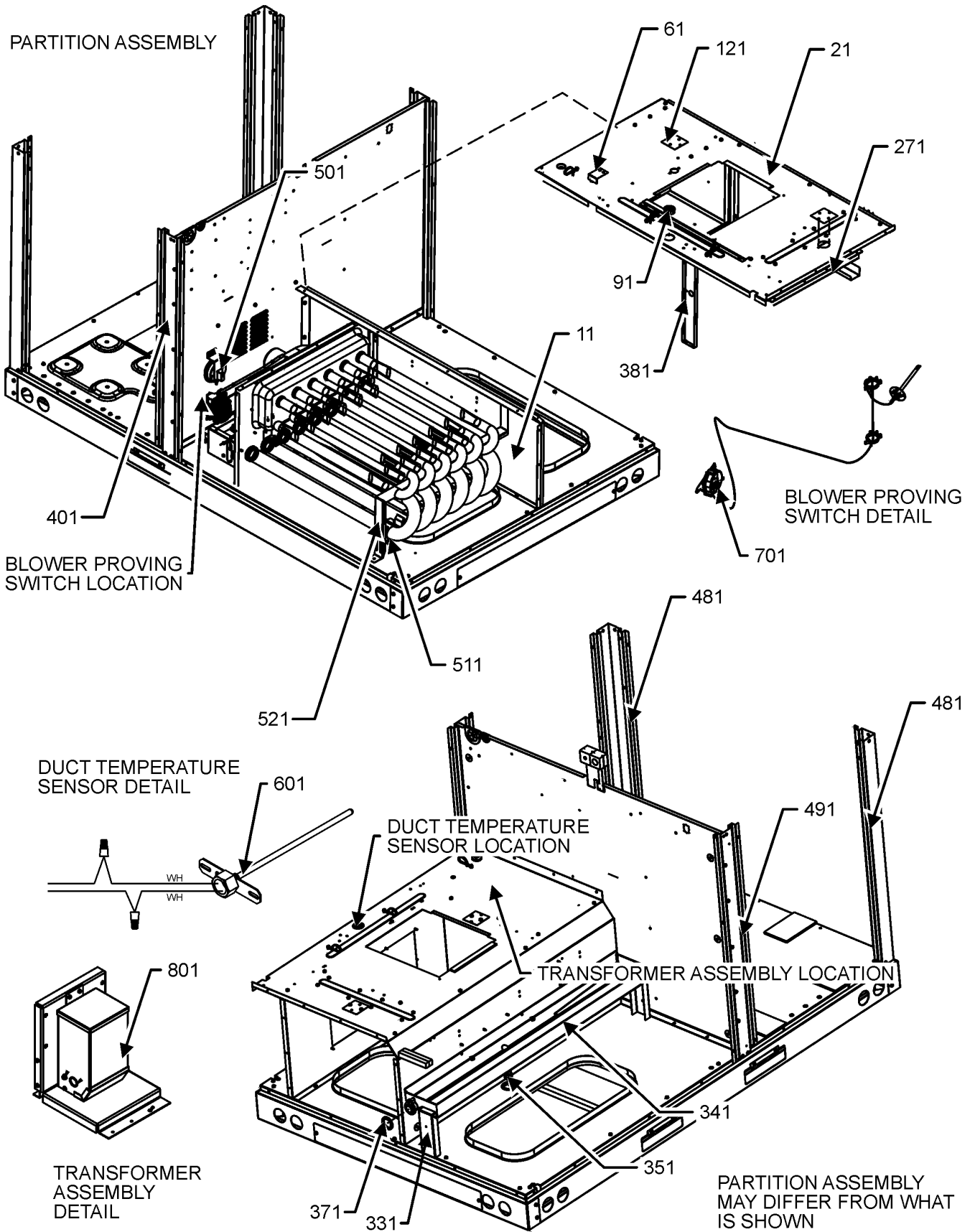
Image 1:

11	0121L03080SB	PAINTED TOP PANEL (M3, M4)
11	0121L01626SB	PAINTED, TOP PANEL (M1, M2, M5, M6)
21	0131M00919	MOTOR (M3, M4)
21	0131M00804	MOTOR, ECM (M1, M2, M5, M6)
31	0163M00006P	ACORN NUT 5/16 HEX BLACK (M1, M2, M5, M6)
41	0152G00000	FAN GRILLE, RAISED
51	0161R00003P	CONDUIT (M1, M2, M5, M6)
61	10625733	BLADE-FAN 22" ALUM CCW
71	0161R00048	MOLDED RING-VENTURI 22
81	0163M00004	SCREW #10X3/4", BLACK (QTY 8)
111	0130M00087	LOW PRESSURE SWITCH
121	0162R00056	FILTER/DRIER-BI-FLOW
131	0130M00280	HIGH PRESSURE SWITCH
141	0121L01620	SMALL SIDE RAIL (QTY 2)
151	0121L01621	SMALL END RAIL (QTY 2)
191	0121L01634	OD COIL BLOCKOFF
201	0201L00323	ASSY., OD COIL TUBING
211	0202L00191	ASSY, ID, COIL, TUBING
301	B1339533	COMPRESSOR GROMMET (QTY 4)
311	B1393740	COMP. BOLT & SLEEVE (QTY 4)
321	ZPS49K5ETF5130	COMP, 49000/208/230/60/3 2 ST (M1, M2)
321	ZPS49K5ETFD130	COMPRESSOR (M3, M4)
321	ZPS49K5ETFE130	COMPRESSOR (M5, M6)
331	0159L00065	HARNESS, COMP SCROLL
341	0159G00010	CABLE, COMPR SCROLL
NS	0141L00003X	BOARD-FORK (QTY 2)
NS	0121R00301	BRACKET, MOTOR MOUNTING (M3, M4)
NS	0251L00011	EXPANSION VALVE ASSY
NS	B1393024	LOCK NUT (M3, M4)
NS	B1393804	NYLON LOCKNUT, .31 - 18 (M3, M4)
NS	0121L03516	PNL, BRACKET, FORK BOARD (QTY 4)
NS	0163M00005P	WASHER, BLACK (.50 OD .218ID) (M1, M2, M5,

Expanded Model Nomenclature

M1 - DRG0603DDDCAA
M2 - DRG0603WDDCAA
M3 - DRG0604DDDCAA
M4 - DRG0604WDDCAA
M5 - DRG0607DDDCAA
M6 - DRG0607WDDCAA

PARTITION ASSEMBLY



PARTITION ASSEMBLY

Ref. Part No:	Part No:	Description:	Ref. Part No:	Part No:	Description:
---------------	----------	--------------	---------------	----------	--------------

Image 1:

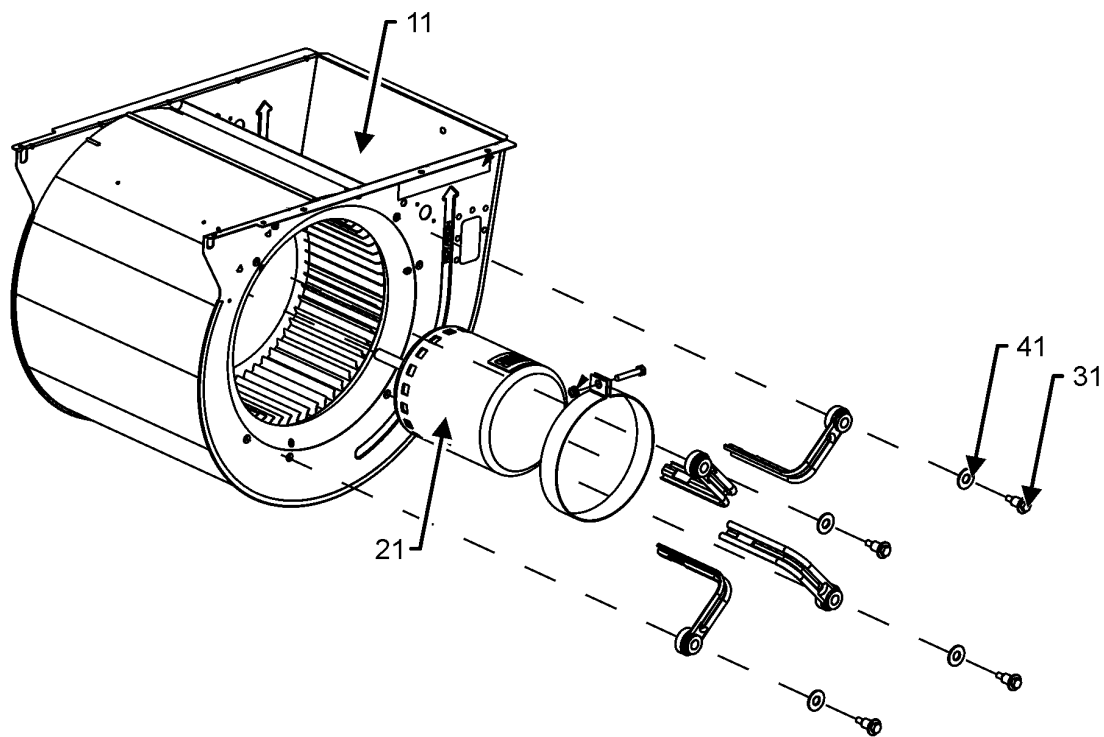
11	0121L02584	BLOWER DECK SIDE			
21	0121L04271	PANEL, BLOWER DECK			
61	0121L01709	BLOWER DECK PLATE			
91	B1392147	UNIVERSIAL BUSHING WITH SLICE (QTY 2)			
121	0121L00321	COVER-SMOKE DETECTOR (QTY 2)			
271	0121L02633	BLOWER DECK U-BRACKET			
331	0121L01628	DRAINPAN SUPPORT			
341	0161L00007	DRAIN PAN, EVAPORATOR 3-5 TON			
351	0163L00071	PLUG, DRAIN			
371	0154L00180	GASKET, DRAIN PAN			
381	0121L00300	POST-DECK SUPPORT			
401	0121L03445SB	PAINTED, SIDE POST			
481	0121L01625SB	PAINTED CORNER POST (QTY 2)			
491	0121L02698SB	PAINTED SIDE POST			
501	11112501	SWITCH-PRESSURE			
511	0121L02935	BRACKET, SUPPORT, TUBE			
521	0121L03320	BRACKET, TUBE SUPPORT			
601	0130L00228	DUCT TEMP SENSOR			
701	0130F00647	PRESSURE SWITCH			
801	0130M00668	TRANSFORMER (M5, M6)			
NS	0160L00173	AIR FILTER 14X20X2 (QTY 2)			
NS	A4568804	GROMMET-D			
NS	0164G00005	GROMMET-HORSESHOW 1.675			
NS	0121L02260	OD COIL BLOCKOFF ANGLE			

Expanded Model Nomenclature

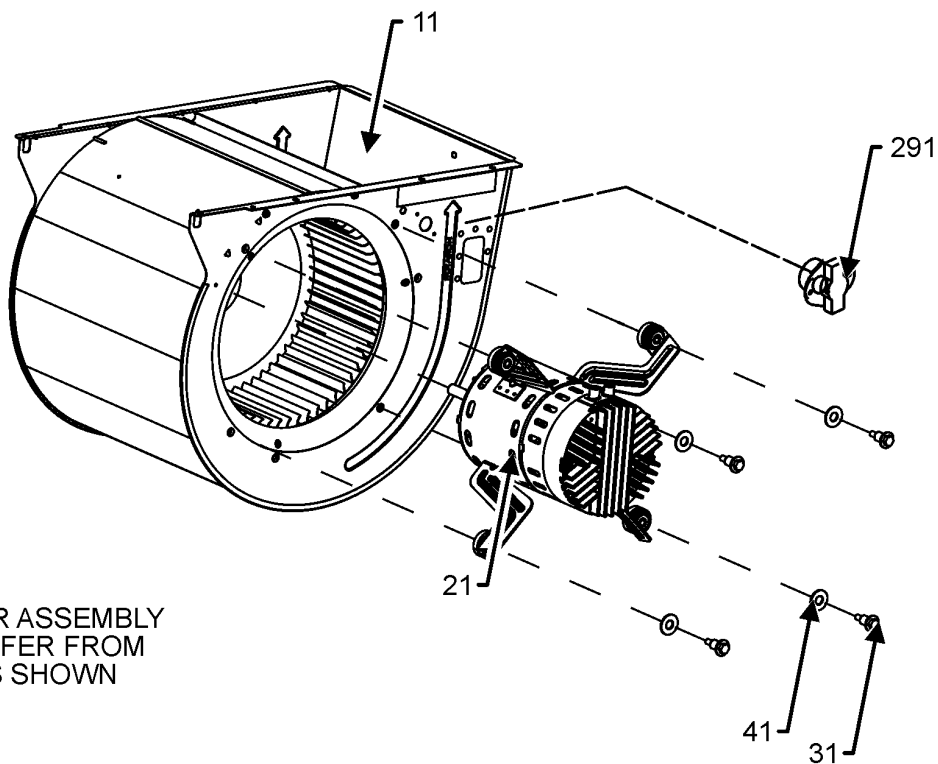
M1 - DRG0603DDDCAA
M2 - DRG0603WDDCAA
M3 - DRG0604DDDCAA
M4 - DRG0604WDDCAA
M5 - DRG0607DDDCAA
M6 - DRG0607WDDCAA

BLOWER ASSEMBLY

BLOWER ASSEMBLY 1



BLOWER ASSEMBLY 2



BLOWER ASSEMBLY
MAY DIFFER FROM
WHAT IS SHOWN

BLOWER ASSEMBLY

Ref. Part No:	No:	Description:	Ref. Part No:	No:	Description:
---------------	-----	--------------	---------------	-----	--------------

Image 1:

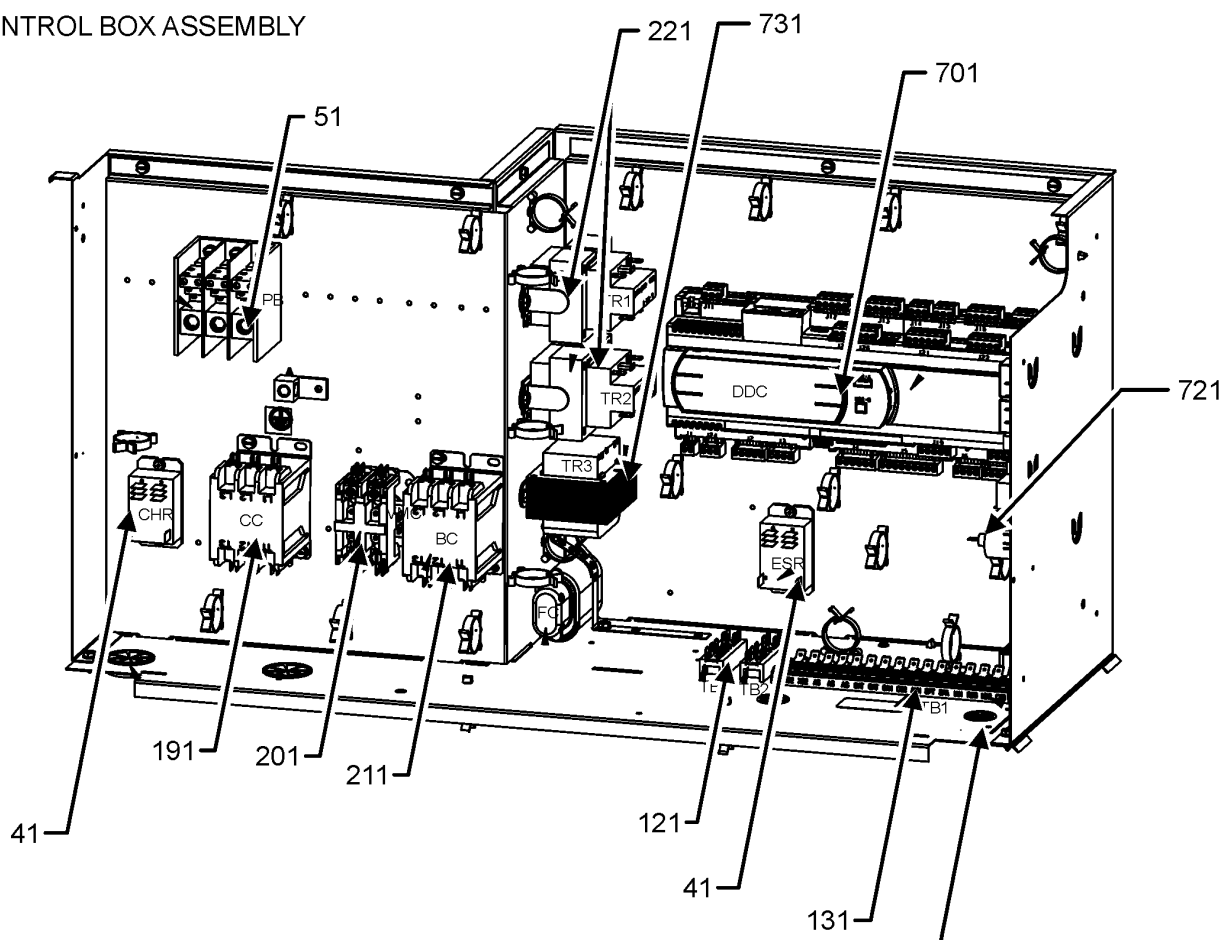
11	0271L00137	ASSY., BLOWER HOUSING
21	0131M00876	ID MOTOR (M2)
21	0131M00877	ID MOTOR (M4)
21	0131M00878	ID MOTOR (M6)
21	0131M00948	ID MOTOR (M1)
21	0131M00949	ID MOTOR (M3)
21	0131M00950	ID MOTOR (M5)
31	M0250565	SCREW-TC 1.25" (QTY 4)
41	B1392918	WASHER, FLAT 1/4 ID X 1 OD (QTY 4)

Expanded Model Nomenclature

M1 - DRG0603DDDCAA
M2 - DRG0603WDDCAA
M3 - DRG0604DDDCAA
M4 - DRG0604WDDCAA
M5 - DRG0607DDDCAA
M6 - DRG0607WDDCAA

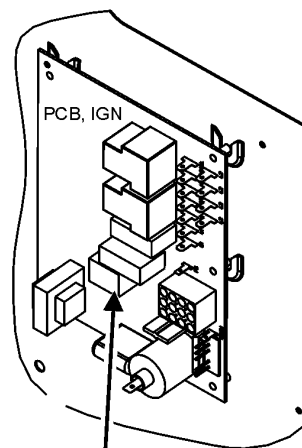
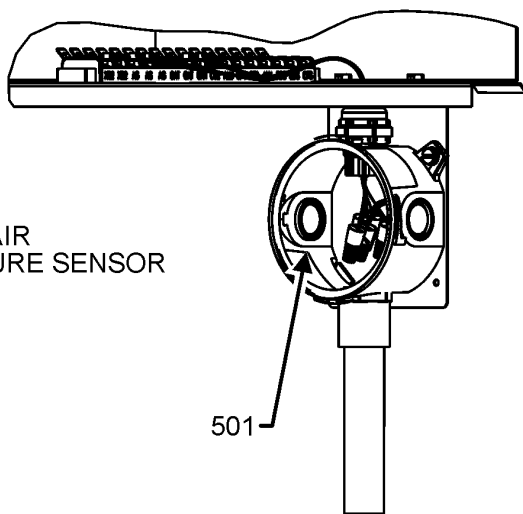
CONTROL BOX ASSEMBLY

CONTROL BOX ASSEMBLY



OUTDOOR AIR TEMPERATURE SENSOR LOCATION

OUTDOOR AIR TEMPERATURE SENSOR DETAIL



IGNITOR PCB DETAIL

CONTROL BOX ASSEMBLY MAY DIFFER FROM WHAT IS SHOWN

CONTROL BOX ASSEMBLY

Ref. Part No:	Ref. Part No:	Description:	Description:
---------------	---------------	--------------	--------------

Image 1:

41	0130M00178	DPDT RELAY 24 VAC
51	0130M00509	BLOCK, POWER
121	802007090	TERM BOARD (QTY 2)
131	0130M00415	TERMINAL BOARD
191	CONT3P030024V	CONT, 3 POLE, 30 AMP, 24 VAC (M1, M2)
201	CONT2P025024V	CONT, 2 POLE, 25 AMP, 24 VAC
211	CONT3P025024V	CONT, 3 POLE, 25 AMP, 24 VAC
221	0130M00598	TRANSFMR, 75VA, 575V TO 24V (M5, M6)
221	0130M00594	TRANSFORMER (M1, M2)
221	0130M00595	TRANSFORMER, 75VA, 480V TO 24V (M3, M4)
501	0130L00227	OUTDOOR AIR TEMP SENSOR
701	0130M00579	DDC CONTROLLER 39IO
721	PCBAG123	PCB, IGNITION, DSI, INTEG
731	0130M00596	TRANSFMR, 150 VA, 480V TO 23 (M3, M4)
731	0130M00597	TRANSFMR, 150 VA, 575V TO 230V (M5, M6)
NS	0130L00164	CLASS CC FUSE 5A (M5, M6)
NS	BDG-ILINQA	DAIKIN ILINQ BACNET DES GUIDE
NS	QSG-ILINQA	DAIKIN ILINQ QUICK START GUIDE
NS	UM-ILINQA	DAIKIN ILINQ USER MANUAL
NS	B1393726	ELECT CONNECTING BUSHING (M5, M6)
NS	0130M00670	FUSE BLOCK CLASS CC (M5, M6)
NS	0130L00252	PROGRAM, APP, CONTROLLER, DDC
NS	0130L00226	SPACE TEMPERATURE SENSOR
NS	20520901	STRAP-CAPACITOR

Expanded Model Nomenclature

M1 - DRG0603DDDCAA
M2 - DRG0603WDDCAA
M3 - DRG0604DDDCAA
M4 - DRG0604WDDCAA
M5 - DRG0607DDDCAA
M6 - DRG0607WDDCAA

ACCESSORY PARTS LIST

NOTE: NOT ALL OPTIONS AVAILABLE FOR ALL PRODUCTS

FOR ACCESSORY PARTS SEE THE FOLLOWING PART MANUAL

RP-FIOPSC*

RP-EHS[D/B]SC*

RP-EHX[D/B]SC*

ACCESSORY PARTS

Ref. Part No:	No:	Description:	Ref. Part No:	No:	Description:
---------------	-----	--------------	---------------	-----	--------------

Image 1:

NS	RP-FIOPSC*	ACCESSORY RP MANUAL
NS	RP-HXSC*	HEAT EXCHANGE RP MANUAL
NS	RP-EHS(D/B)SC*	HEATER KIT RP MANUAL
NS	RP-EHX(D/B)SC*	HEATER KIT RP MANUAL

Expanded Model Nomenclature

- M1 - DRG0603DDDCAA
- M2 - DRG0603WDDCAA
- M3 - DRG0604DDDCAA
- M4 - DRG0604WDDCAA
- M5 - DRG0607DDDCAA
- M6 - DRG0607WDDCAA