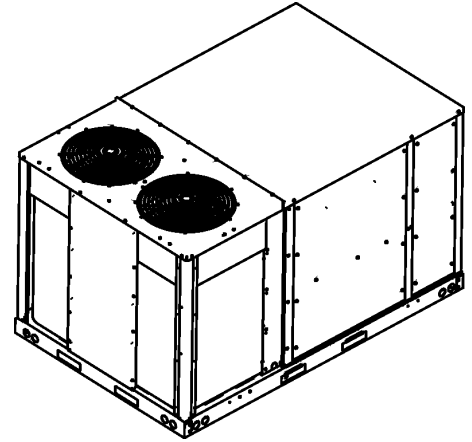


DRC 12.5 Ton Light Commercial Package Cooling Unit

DRC1503D000001SAA

DRC1504D000001SAA

DRC1507D000001SAA



This manual is to be used by qualified technicians only.

Important Information

Index

Functional Parts List	3
Illustration and Parts	4 - 15

Views shown are for parts illustrations only, not servicing procedures

Text Codes:

AR - As Required

NA - Not Available

NS - Not Shown

00000000 - See Note

QTY - Quantity Example (QTY 3) (If Quantity not shown, Quantity = 1)

M - Model Example (M1) (If M Code not shown, then part is used on all Models)

Expanded Model Nomenclature:

Example M1 - Model#1 M2 - Model#2 M3 - Model#3

Daikin Company, L.P. is not responsible for personal injury or property damage resulting from improper service. Review all service information before beginning repairs.

Warranty service must be performed by an authorized technician, using authorized factory parts. If service is required after the warranty expires, Daikin Company, L.P. also recommends contacting an authorized technician and using authorized factory parts.

Daikin Company, L.P. reserves the right to discontinue, or change at any time, specifications or designs without notice or without incurring obligations.

For assistance within the U.S.A. contact:

Equipment Support
Daikin North America, LLC
19001 Kermier Road
Waller, Texas 77484
855-770-5678-Telephone
713-863-2382-Facsimile

For assistance outside the U.S.A. contact:

International Division
Daikin North America, LLC
19001 Kermier Road
Waller, Texas 77484
713-861-2500-Telephone
713-863-2382-Facsimile

Functional Parts

Part

No: Description:

0251L00119	ASSY., EXPANSION VALVE
0251L00120	ASSY., EXPANSION VALVE
0130M00249	AUXILLARY SWITCH (QTY 2)
0150L00003	BLADE-FAN 22" ALUM. CCW 30 DEG (QTY 2)
0130L00164	CLASS CC FUSE 5A (M3)
ZP61KCETFE130	COMP, 61,500, 575/60/3 (M3)
ZP61KCETF5130	Comp, 61500,200/230/60/3 (M1)
ZP61KCETFD130	COMP, 61500,460/60/3 (M2)
CONT2P025024V	CONT, 2 POLE, 25 AMP, 24 VAC
CONT3P030024V	CONT, 3 POLE 30 AMP 24VAC (QTY 3)
0130M00582	CONTROL, DEFROST (QTY 2)
0130L00242	CRANK CASE HEATER-70W 575V (M3)
0130M00178	DPDT RELAY 24VAC (QTY 3)
0163R00004	HEATER CRANKCASE, 460V, 40W (M2)
0163R00003	HEATER, CRANKCASE 230V 40W (M1)
0130M00074	HIGH PRESSURE SWITCH (QTY 2)
0130M00075	LOW PRESSURE SWITCH (QTY 2)
0131L00162	MOTOR CONTROLLER (M1)
0131L00164	MOTOR CONTROLLER (M3)
0131L00163	MOTOR CONTROLLER (M2)
0131L00156	MOTOR PROGRAM
0131M00917	MOTOR, HP, 1/3, OD (M2)
0131M00905	MOTOR, HP, 1/3, SP, 1, PL, 6 (M1, M3)
B1370772	TIME DEALY ICM 180SEC DELA (QTY 2)
0130M00598	TRANSFMR, 75VA, 575V TO 24V (M3)
0130M00594	TRANSFORMER (M1)
0130M00669	TRANSFORMER (M3)
0130M00595	TRANSFORMER, 75VA, 480V TO 24V (M2)

SPECIAL PARTS

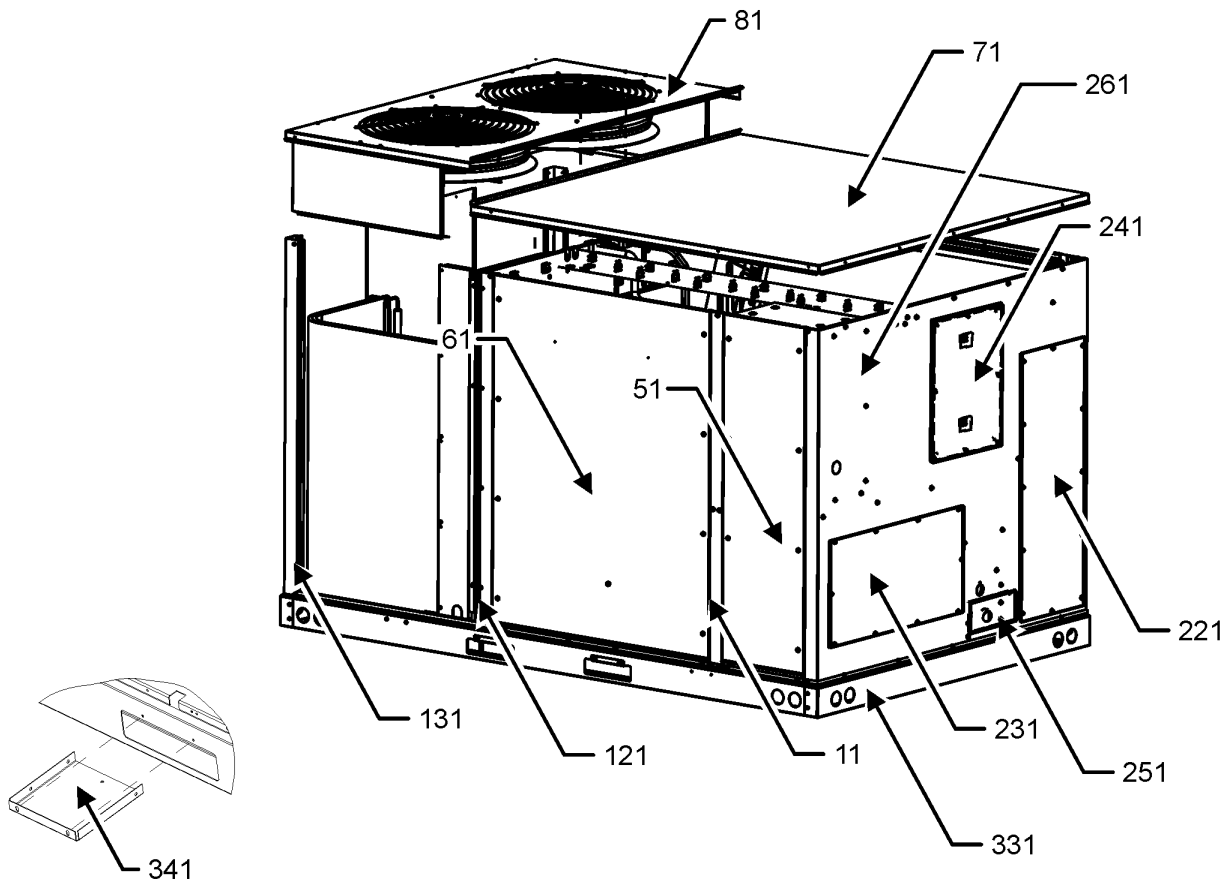
RP-FIOPMC*	ACCESSORY RP MANUAL
RP-HXMC*	HEAT EXCHANGE FOR MEDIUM CHASSIS RP MANUAL
RP-EHS(D/B)MC*	HEATER KIT RP MANUAL
RP-EHX(D/B)MC*	HEATER KIT RP MANUAL

Expanded Model Nomenclature

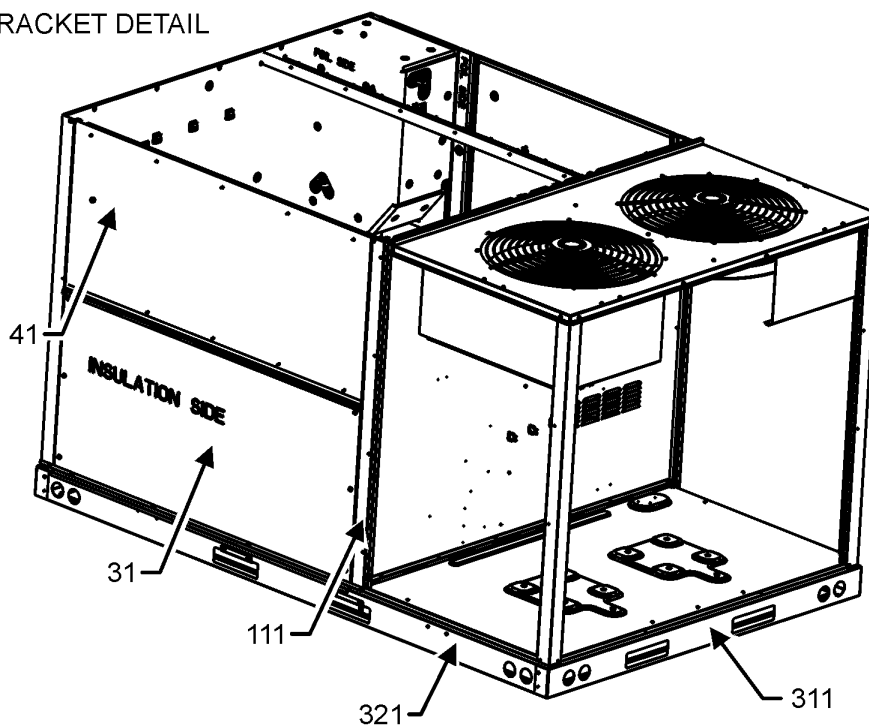
M1 - DRC1503D000001SAA
M2 - DRC1504D000001SAA
M3 - DRC1507D000001SAA

CABINET ASSEMBLY

CABINET ASSEMBLY



FORK BOARD BRACKET DETAIL



CABINET ASSEMBLY MAY DIFFER FROM WHAT IS SHOWN

CABINET ASSEMBLY

Ref. Part No:	No:	Description:	Ref. Part No:	No:	Description:
---------------	-----	--------------	---------------	-----	--------------

Image 1:

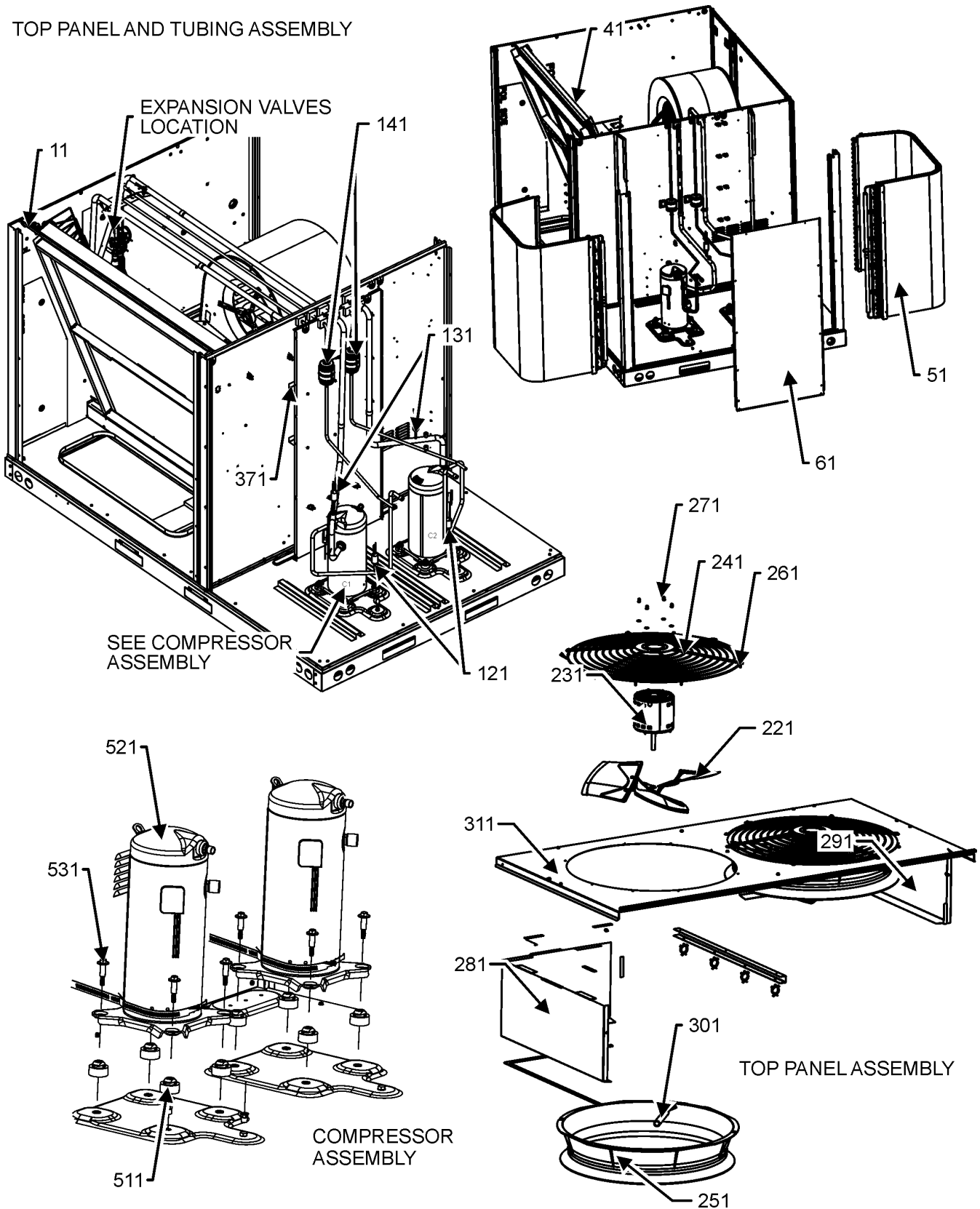
11	0121L03534SB	PAINTED SIDE POST			
31	0121L04154SB	PAINTED, ECONOMIZER PANEL			
41	0121L03173SB	PAINTED, FILTER DOOR			
51	0121L03052SB	PAINTED CONTROL PANEL			
61	0121L03961SB	PAINTED, PANEL BLOWER			
71	0121L02428SB	PAINTED, TOP PANEL INDOOR			
81	0121L02437SB	PAINTED PANEL OUTDOOR TOP (M1, M3)			
81	0121L03101SB	PAINTED PANEL OUTDOOR TOP (M2)			
111	0121L02199SB	PAINTED SIDE POST			
121	0121L03470SB	PAINTED SIDE POST			
131	0121L03903SB	PAINTED, PANEL, CORNER POST (QTY 2)			
221	0121L03508SB	PAINTED COVER DUCT RETURN			
231	0121L02921SB	PAINTED COVER DUCT SUPPLY			
241	0121L02599SB	PAINTED, TXV PANEL			
251	0121L03958SB	PAINTED, DRAIN PAN COVER			
261	0121L04122SB	PAINTED, DUCT PANEL			
311	0121L04127	BASE RAIL (QTY 2)			
321	0121L01910	END RAIL			
331	0121L01920	END RAIL			
341	0121L03727	BRACKET-FORK BOARD (QTY 4)			
NS	0141L00084	BOARD FORK (QTY 2)			

Expanded Model Nomenclature

M1 - DRC1503D000001SAA
M2 - DRC1504D000001SAA
M3 - DRC1507D000001SAA

TOP PANEL AND TUBING ASSEMBLY

TOP PANEL AND TUBING ASSEMBLY



NOTE: TOP PANEL AND TUBING ASSEMBLY MAY DIFFER FROM WHAT IS SHOWN

TOP PANEL AND TUBING ASSEMBLY

Ref. Part No:	Part No:	Description:	Ref. Part No:	Part No:	Description:
---------------	----------	--------------	---------------	----------	--------------

Image 1:

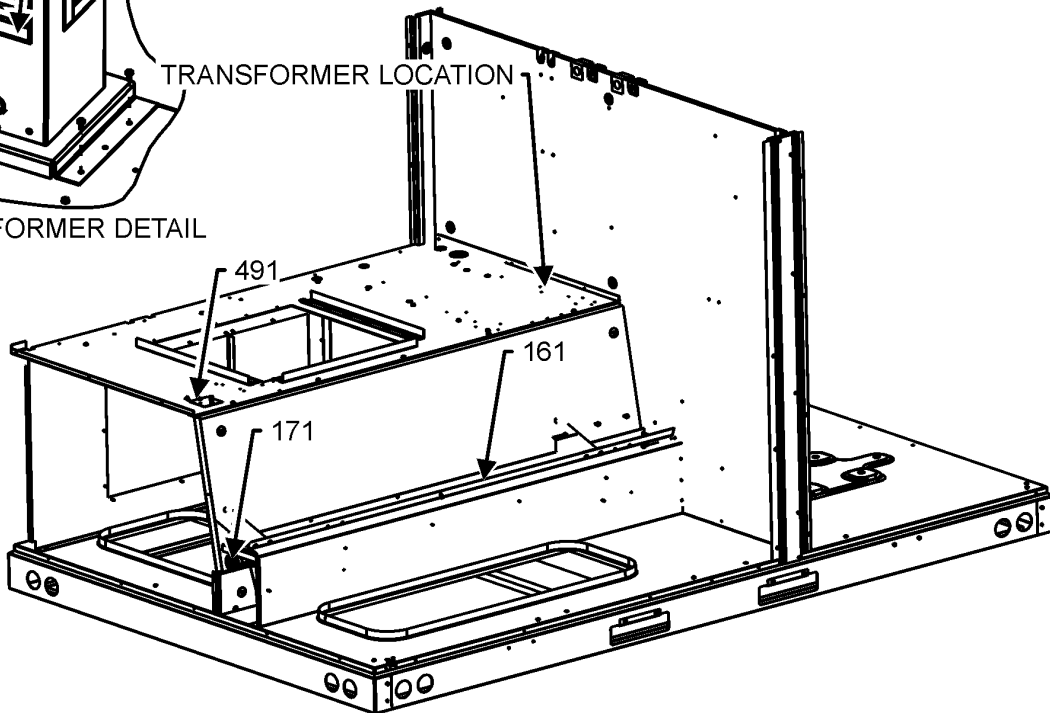
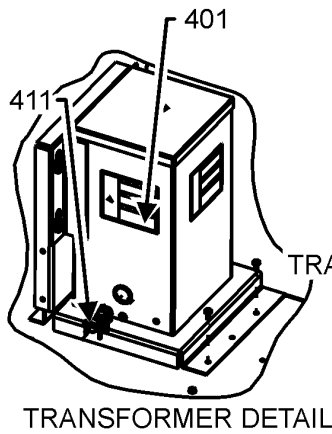
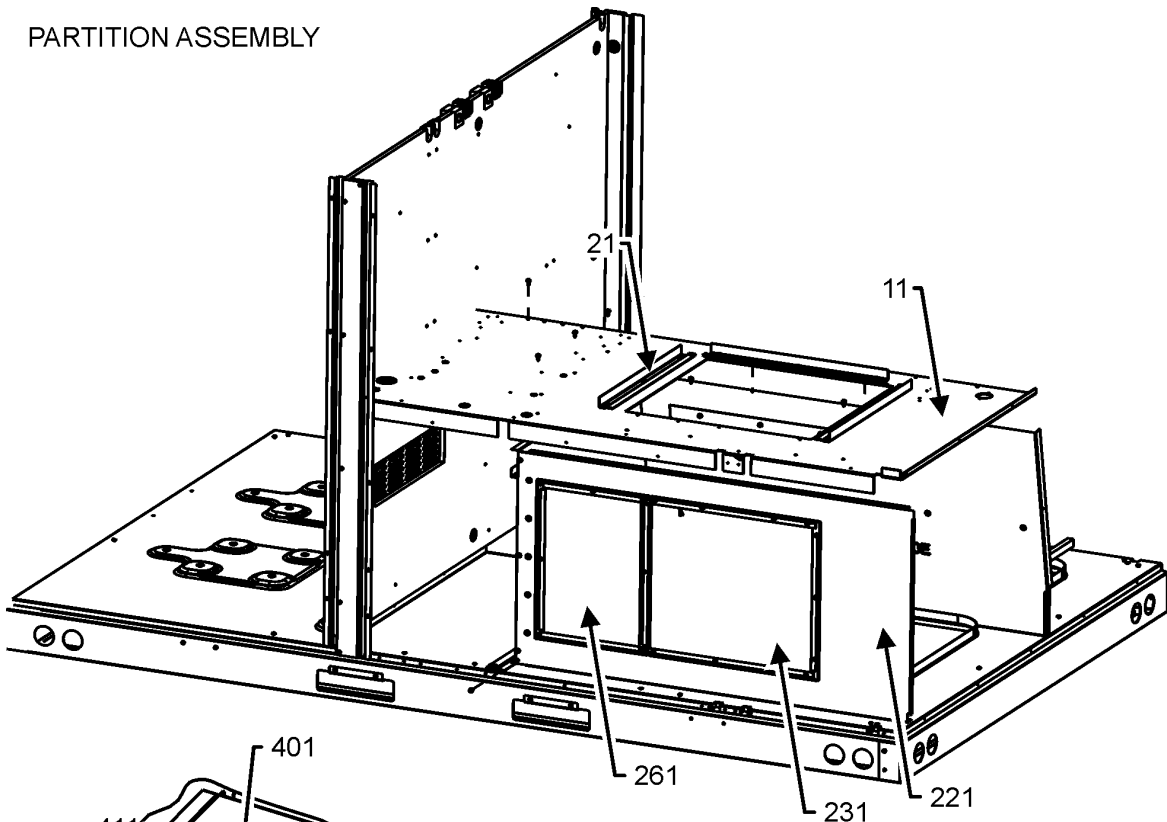
11	0130M00582	CONTROL, DEFROST (QTY 2)
41	0202L00396	ASSY. EVAP COIL
51	0201L00551	ASSY. CONDENSOR COIL
61	0121L04204SB	PAINTED, PLATE, CVER COND COIL
121	0130M00074	HIGH PRESSURE SWITCH
131	0130M00075	LOW PRESSURE SWITCH
141	0151M00012	FILTER/DRIER-BI-FLOW
221	0150L00003	BLADE-FAN 22" ALUM. GCW 30 DEG (QTY 2)
231	0131M00917	MOTOR, HP, 1/3, OD (M2)
231	0131M00905	MOTOR, HP, 1/3, SP, 1, PL, 6 (M1, M3)
241	0152G00000	FAN GRILLE, RAISED (QTY 2)
251	0161R00048	MOLDED RING VENTURI 22 (QTY 2)
261	0163M00004	SCREW #10X3/4 BLK (QTY 16)
271	0163M00006P	NUT, ACORN 5/16 HEX BLACK (M1, M3)
281	0121L02913	COIL BLOCKOFF
291	0121L02914	COIL BLOCKOFF
301	0161G00016	CONDUIT PVC (M1, M3)
311	0121L03101SB	PAINTED PANEL OUTDOOR TOP (M2)
371	0121L02586	C-CHANNEL (QTY 2)
511	B1339533	GROMMET, COMPRESSOR (QTY 8)
521	ZP61KCETFE130	COMP, 61,500, 575/60/3 (M3)
521	ZP61KCETF5130	Comp, 61500,200/230/60/3 (M1)
521	ZP61KCETFD130	COMP, 61500,460/60/3 (M2)
531	B1393740	COMP BOLT & SLEEVE (QTY 8)
NS	0160L00267	AIR FILTER (QTY 4)
NS	0251L00119	ASSY., EXPANSION VALVE
NS	0251L00120	ASSY., EXPANSION VALVE
NS	0121R00922	BRACKET, MOTOR MOUNT (M2)
NS	0130L00242	CRANK CASE HEATER-70W 575V (M3)
NS	0159L00066	Harness, comp s croll (M2, M3)
NS	0159L00067	Harness, comp s croll (M2, M3)
NS	0159L00068	Harness, comp s croll (M1)
NS	0159L00069	Harness, comp s croll (M1)
NS	0163R00004	HEATER CRANKCASE, 460V, 40W (M2)
NS	0163R00003	HEATER, CRANKCASE 230V 40W (M1)
NS	B1393024	LOCK NUT (M2)
NS	B1393804	NYLON LOCKNUT, .31 - 18 (M2)
NS	0163M00129	SCREW, H2, .31 X 1.52 (M2)
NS	M0272803	WASHER LOCK (M1, M3)
NS	0163M00005P	WASHER, BLACK .50OD.218ID (M1, M3)

Expanded Model Nomenclature

M1 - DRC1503D000001SAA
M2 - DRC1504D000001SAA
M3 - DRC1507D000001SAA

PARTITION ASSEMBLY

PARTITION ASSEMBLY



PARTITION ASSEMBLY MAY DIFFER FROM WHAT IS SHOWN

PARTITION ASSEMBLY

Ref. Part No:	No:	Description:	Ref. Part No:	No:	Description:
---------------	-----	--------------	---------------	-----	--------------

Image 1:

11	0121L04124	PANEL, BLOWER DECK
21	0121L02651	BLOWER SLIDE PLATE (QTY 3)
161	0161L00002	DRAIN PAN EVAP 7TO12
171	0154L00180	GASKET, DRAIN PAN
221	0121L04010	PANEL FRONT, EHK
231	0121L03965	PNL, COVER EHK
261	0121L03458	PANEL EHK BLOCK OFF
401	0130M00669	TRANSFORMER (M3)
411	B1393726	ELECT. CONNECTING BUSHING (M3)
491	0121L00321	COVER SMOKE DETECTOR
NS	0121L02873	CHANNEL, DRAINPAN BASE
NS	0121L03810	PLATE, COIL SUPPORT
NS	0161L00012	PLUG DRAIN PAN

Expanded Model Nomenclature

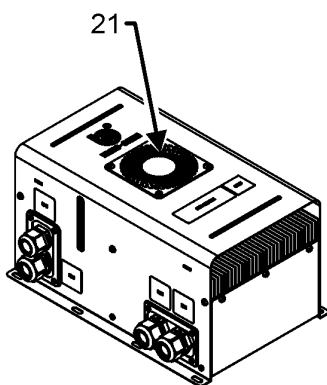
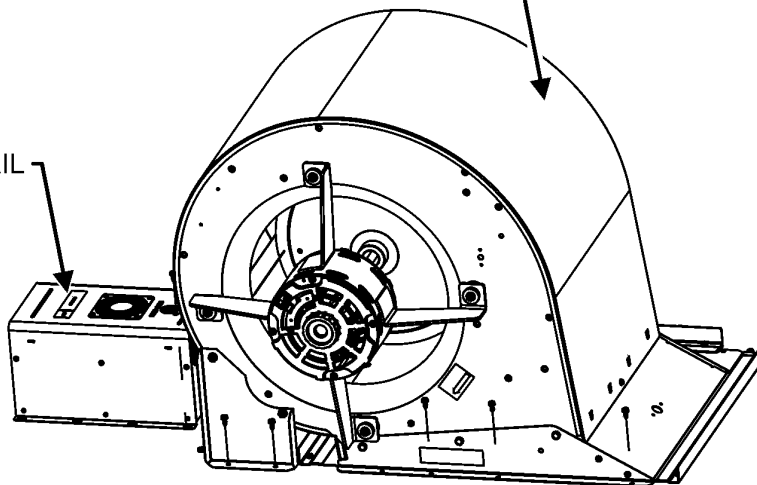
M1 - DRC1503D000001SAA
M2 - DRC1504D000001SAA
M3 - DRC1507D000001SAA

BLOWER ASSEMBLY

BLOWER ASSEMBLY

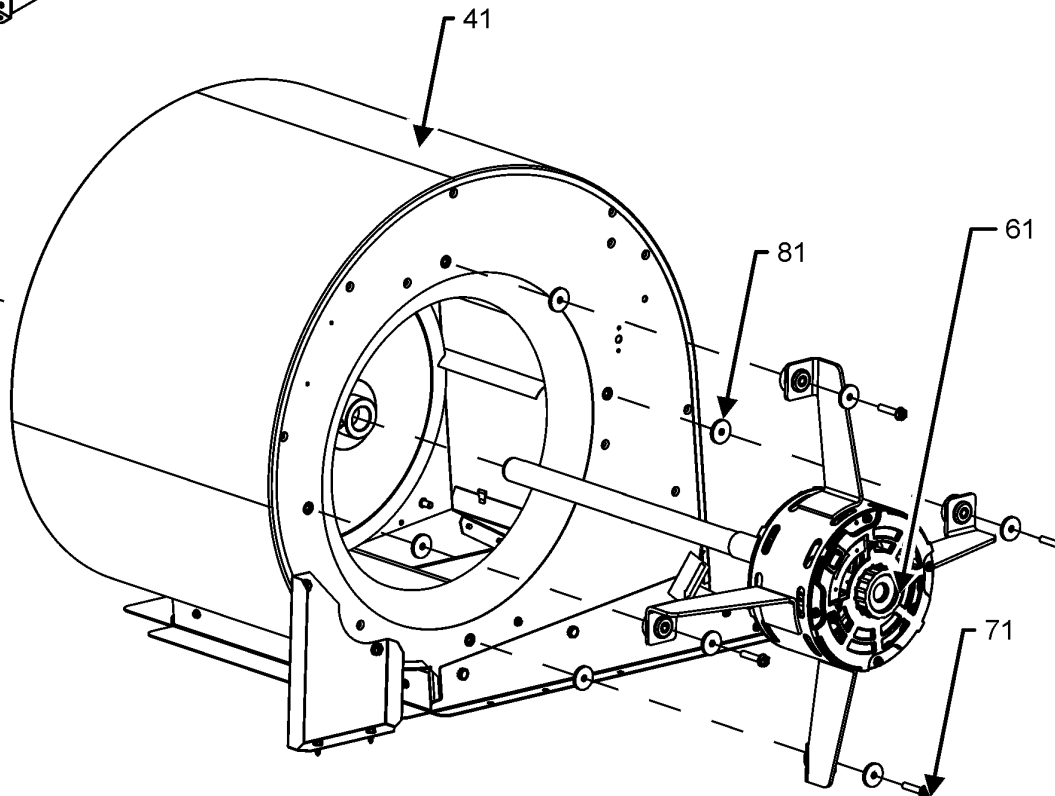
SEE BLOWER DETAIL

SEE MOTOR CONTROLLER DETAIL



MOTOR CONTROLLER DETAIL

BLOWER DETAIL



BLOWER ASSEMBLY MAY DIFFER FROM WHAT IS SHOWN

BLOWER ASSEMBLY

Ref. Part No:	No:	Description:	Ref. Part No:	No:	Description:
---------------	-----	--------------	---------------	-----	--------------

Image 1:

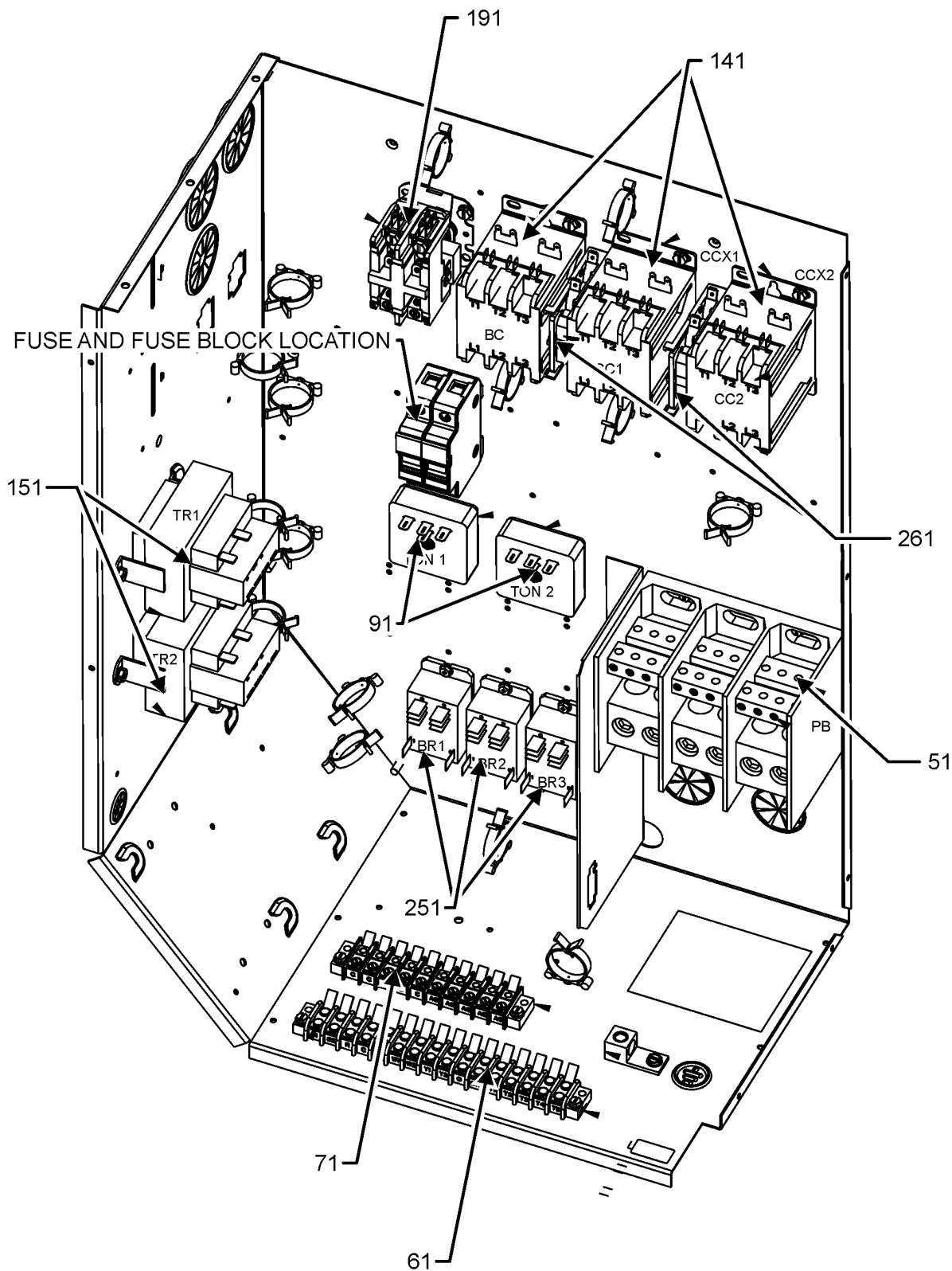
21	0131L00162	MOTOR CONTROLLER (M1)			
21	0131L00163	MOTOR CONTROLLER (M2)			
21	0131L00164	MOTOR CONTROLLER (M3)			
41	0271L00148	ASSY, BLOWER PURCHASED 16X18			
61	0131L00156	MOTOR PROGRAM			
71	M0250565	SCREW-TC 1.25" (QTY 4)			
81	B1392918	WASHER, FLAT 1/4 ID X 1 OD (QTY 8)			
NS	0121L04070	BRACKET, MOTOR HOUSING			

Expanded Model Nomenclature

M1 - DRC1503D000001SAA
M2 - DRC1504D000001SAA
M3 - DRC1507D000001SAA

CONTROL BOX ASSEMBLY

CONTROL BOX ASSEMBLY



CONTROL BOX ASSEMBLY MAY DIFFER FROM WHAT IS SHOWN

CONTROL BOX ASSEMBLY

Ref. Part No: No:	Description:	Ref. Part No: No:	Description:
-------------------	--------------	-------------------	--------------

Image 1:

51	0130L00217	POWER,BLOCK
61	0130M00038	TERMINAL BOARD
71	0130M00443	TERMINAL BLOCK
91	B1370772	TIME DEALY ICM 180SEC DELA (QTY 2)
141	CONT3P030024V	CONT, 3 POLE 30 AMP 24VAC (QTY 3)
151	0130M00598	TRANSFMR, 75VA, 575V TO 24V (M3)
151	0130M00594	TRANSFORMER (M1)
151	0130M00595	TRANSFORMER, 75VA, 480V TO 24V (M2)
191	CONT2P025024V	CONT, 2 POLE, 25 AMP, 24 VAC
251	0130M00178	DPDT RELAY 24 VAC (QTY 3)
261	0130M00249	AUXILLARY SWITCH (QTY 2)
NS	0130L00164	CLASS CC FUSE 5A (M3)
NS	0130M00670	FUSE BLOCK CLASS CC (M3)
NS	20520901	STRAP CAPACITOR (QTY 7)

Expanded Model Nomenclature

M1 - DRC1503D000001SAA
M2 - DRC1504D000001SAA
M3 - DRC1507D000001SAA

ACCESSORY PARTS LIST

NOTE: NOT ALL OPTIONS AVAILABLE FOR ALL PRODUCTS

FOR ACCESSORY PARTS SEE THE FOLLOWING PART MANUAL

RP-FIOPMC*

RP-EHS[D/B]MC*

RP-EHX[D/B]MC*

ACCESSORY LIST

Ref. Part No: No:	Description:	Ref. Part No: No:	Description:
----------------------	--------------	----------------------	--------------

Image 1:

NS	RP-FIOPMC*	ACCESSORY RP MANUAL
NS	RP-HXMC*	HEAT EXCHANGE FOR MEDIUM CHASSIS RP MANUAL
NS	RP-EHS(D/B)MC*	HEATER KIT RP MANUAL
NS	RP-EH(D/B)MC*	HEATER KIT RP MANUAL

Expanded Model Nomenclature

M1 - DRC1503D000001SAA
M2 - DRC1504D000001SAA
M3 - DRC1507D000001SAA