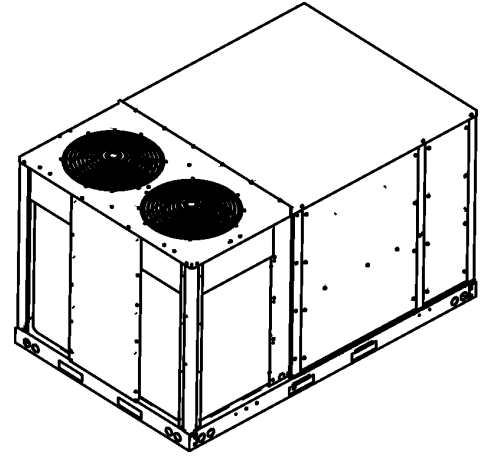


## DRC 10 Ton Light Commercial Package Cooling Unit

DRC1203D000001SAA

DRC1204D000001SAA

DRC1207D000001SAA



This manual is to be used by qualified technicians only.

# Important Information

---

## Index

Functional Parts List .....	3
Illustration and Parts .....	4 - 15

*Views shown are for parts illustrations only, not servicing procedures*

### Text Codes:

AR - As Required

NA - Not Available

NS - Not Shown

00000000 - See Note

QTY - Quantity Example (QTY 3) (If Quantity not shown, Quantity = 1)

M - Model Example (M1) (If M Code not shown, then part is used on all Models)

### Expanded Model Nomenclature:

Example M1 - Model#1 M2 - Model#2 M3 - Model#3
---

Daikin Company, L.P. is not responsible for personal injury or property damage resulting from improper service. Review all service information before beginning repairs.

Warranty service must be performed by an authorized technician, using authorized factory parts. If service is required after the warranty expires, Daikin Company, L.P. also recommends contacting an authorized technician and using authorized factory parts.

Daikin Company, L.P. reserves the right to discontinue, or change at any time, specifications or designs without notice or without incurring obligations.

For assistance within the U.S.A. contact:

Equipment Support  
Daikin North America, LLC  
19001 Kermier Road  
Waller, Texas 77484  
855-770-5678-Telephone  
713-863-2382-Facsimile

For assistance outside the U.S.A. contact:

International Division  
Daikin North America, LLC  
19001 Kermier Road  
Waller, Texas 77484  
713-861-2500-Telephone  
713-863-2382-Facsimile

# Functional Parts

## Part

## No: Description:

---

0251L00083	ASSY., EXPANSION VALVE
0251L00084	ASSY., EXPANSION VALVE
0150L00003	BLADE-FAN 22" ALUM. CCW 30 DEG (QTY 2)
CAP100000370LA	CAP, 10 MFD/370V/OVAL (M1, M2)
CAP050000440LA	CAPACITOR (M3)
ZP49K5ETFD130	COMP, 40700, 380/420/50/3 (M2)
ZP49K5ETF5130	COMP, 49000/208/230/60/3 (M1)
ZP49K5ETFE130	COMP, 49000/208/230/60/3 (M3)
CONT3P030024V	CONT, 3 POLE 30 AMP 24VAC (QTY 3)
0130M00582	CONTROL, DEFROST (QTY 2)
0130M00178	DPDT RELAY 24VAC (QTY 3)
0131L00240	MOTOR CONTROLLER (M3)
0131L00238	MOTOR CONTROLLER (M2)
0131L00236	MOTOR CONTROLLER (M1)
0131M00907	MOTOR, HP, 1/3, OD (M2)
0131M00908	MOTOR, HP, 1/3, OD, LAK (M3)
0131M00906	MOTOR, HP, 1/3, SP, 1, PL, 6 (M1)
0131L00150	MOTOR, PROGRAMMED
B1370772	TIME DEALY ICM 180SEC DELA (QTY 2)
0130M00598	TRANSFMR, 75VA, 575V TO 24V (M3)
0130M00594	TRANSFORMER (M1)
0130M00595	TRANSFORMER, 75VA, 480V TO 24V (M2)

### SPECIAL PARTS

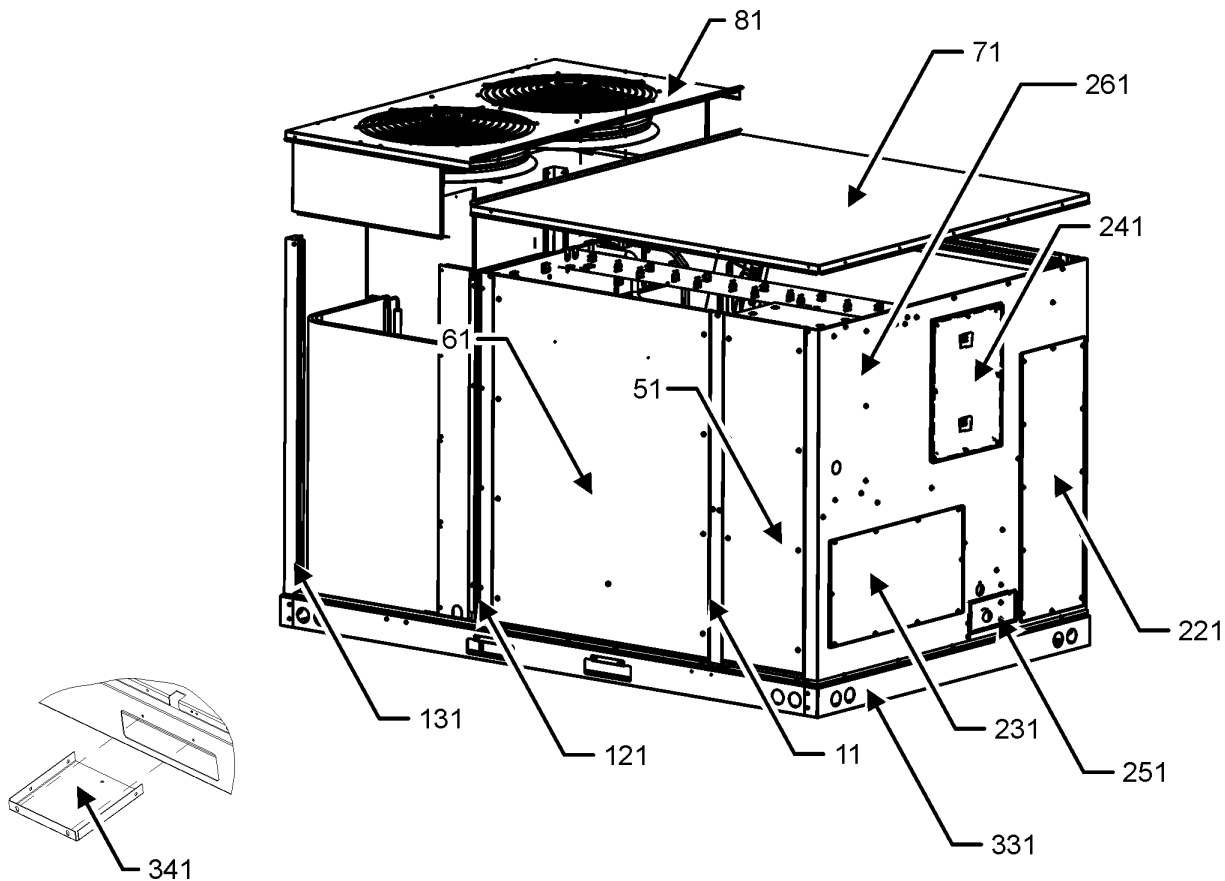
RP-FIOPMC*	ACCESSORY RP MANUAL
RP-HXMC*	HEAT EXCHANGE FOR MEDIUM CHASSIS RP MANUAL
RP-EHS(D/B)MC*	HEATER KIT RP MANUAL
RP-EHX(D/B)MC*	HEATER KIT RP MANUAL

### Expanded Model Nomenclature

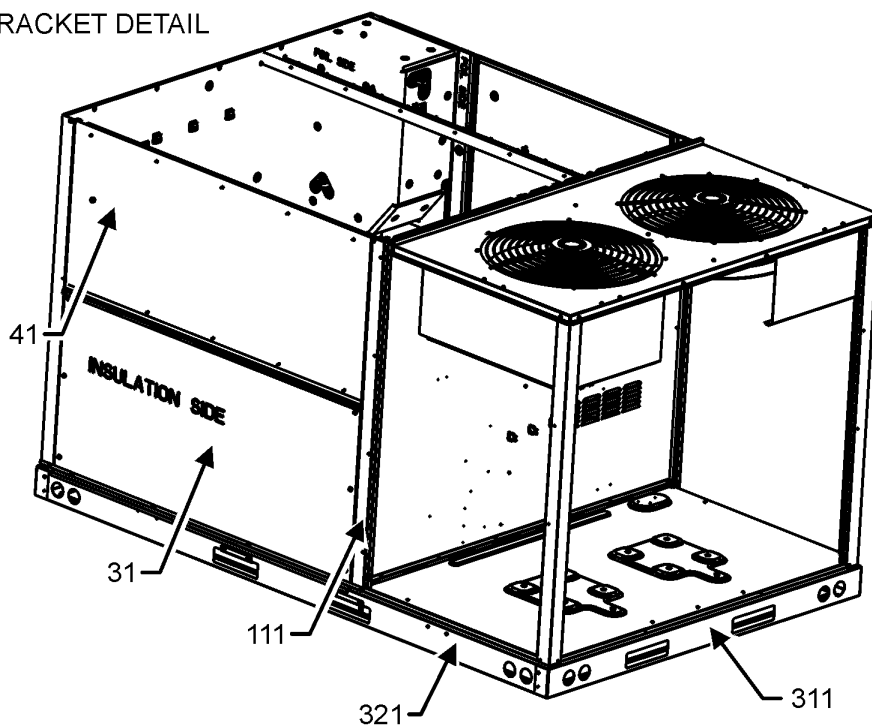
M1 - DRC1203D000001SAA
M2 - DRC1204D000001SAA
M3 - DRC1207D000001SAA

# CABINET ASSEMBLY

## CABINET ASSEMBLY



## FORK BOARD BRACKET DETAIL



CABINET ASSEMBLY MAY DIFFER FROM WHAT IS SHOWN

# CABINET ASSEMBLY

Ref. Part No: No:	Description:	Ref. Part No: No:	Description:
----------------------	--------------	----------------------	--------------

---

**Image 1:**

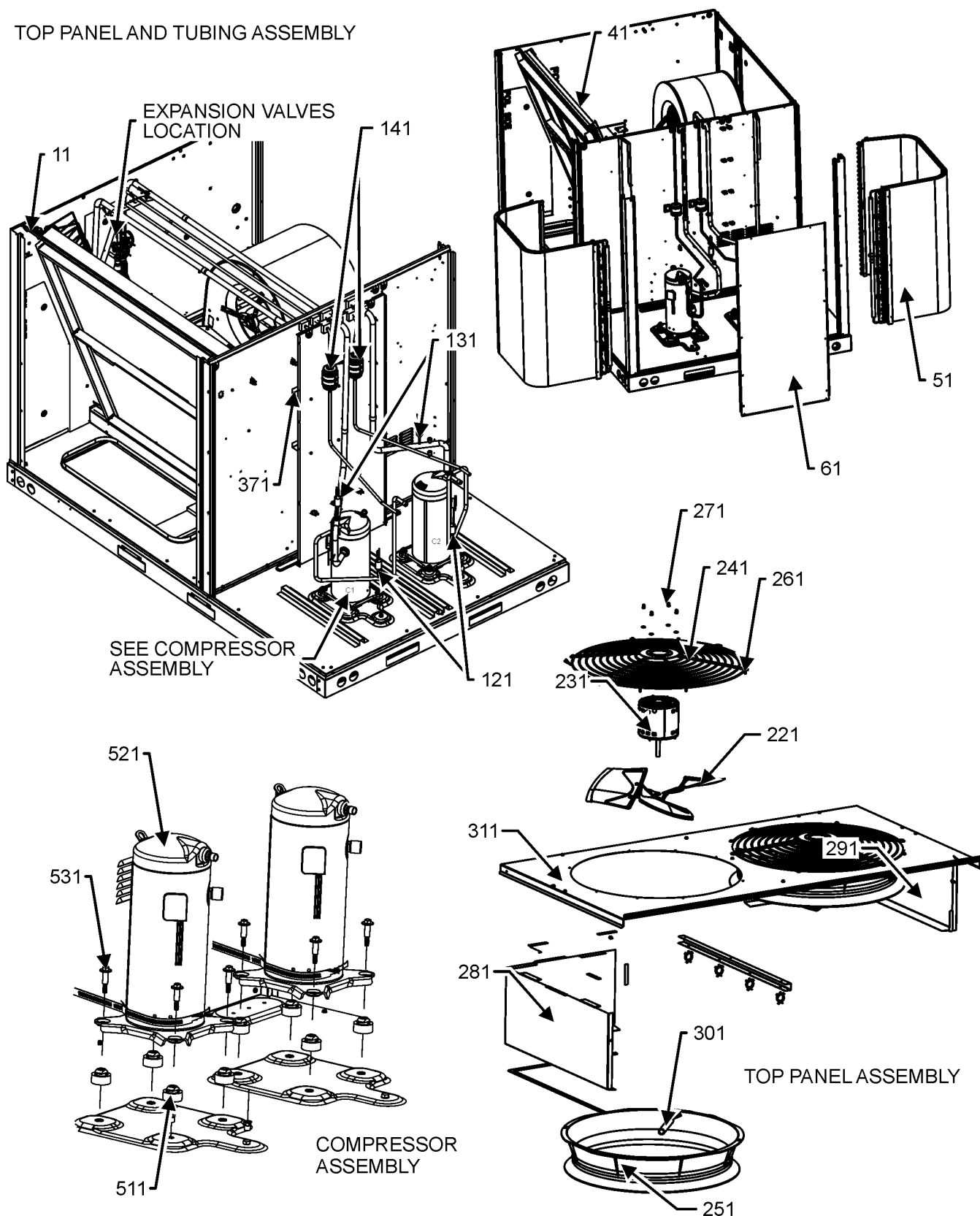
11	0121L04041SB	PAINTED, PANEL, SIDE POST
31	0121L04154SB	PAINTED, ECONOMIZER PANEL
41	0121L03188SB	PAINTED, FILTER PANEL-7.5 TON
51	0121L02952SB	PAINTED, CONTROL PANEL
61	0121L03821SB	PAINTED BLOWER PANEL
71	0121L02428SB	PAINTED, TOP PANEL INDOOR
81	0121L02437SB	PAINTED PANEL OUTDOOR TOP
111	0121L03469SB	PAINTED, SIDE POST
121	0121L03187SB	PAINTED, SIDE POST
131	0121L03902SB	PAINTED, PANEL, CORNER POST (QTY 2)
221	0121L03508SB	PAINTED COVER DUCT RETURN
231	0121L02921SB	PAINTED COVER DUCT SUPPLY
241	0121L02599SB	PAINTED, TXV PANEL
251	0121L03958SB	PAINTED, DRAIN PAN COVER
261	0121L03959SB	PAINTED, PANEL, DUCT
311	0121L04127	BASE RAIL (QTY 2)
321	0121L01910	END RAIL
331	0121L01920	END RAIL
341	0121L03727	BRACKET-FORK BOARD (QTY 4)
NS	0141L00084	BOARD FORK (QTY 2)

**Expanded Model Nomenclature**

M1 - DRC1203D000001SAA
M2 - DRC1204D000001SAA
M3 - DRC1207D000001SAA

# TOP PANEL AND TUBING ASSEMBLY

## TOP PANEL AND TUBING ASSEMBLY



NOTE: TOP PANEL AND TUBING ASSEMBLY MAY DIFFER FROM WHAT IS SHOWN

# TOP PANEL AND TUBING ASSEMBLY

Ref. Part No: No:	Description:	Ref. Part No: No:	Description:
-------------------	--------------	-------------------	--------------

**Image 1:**

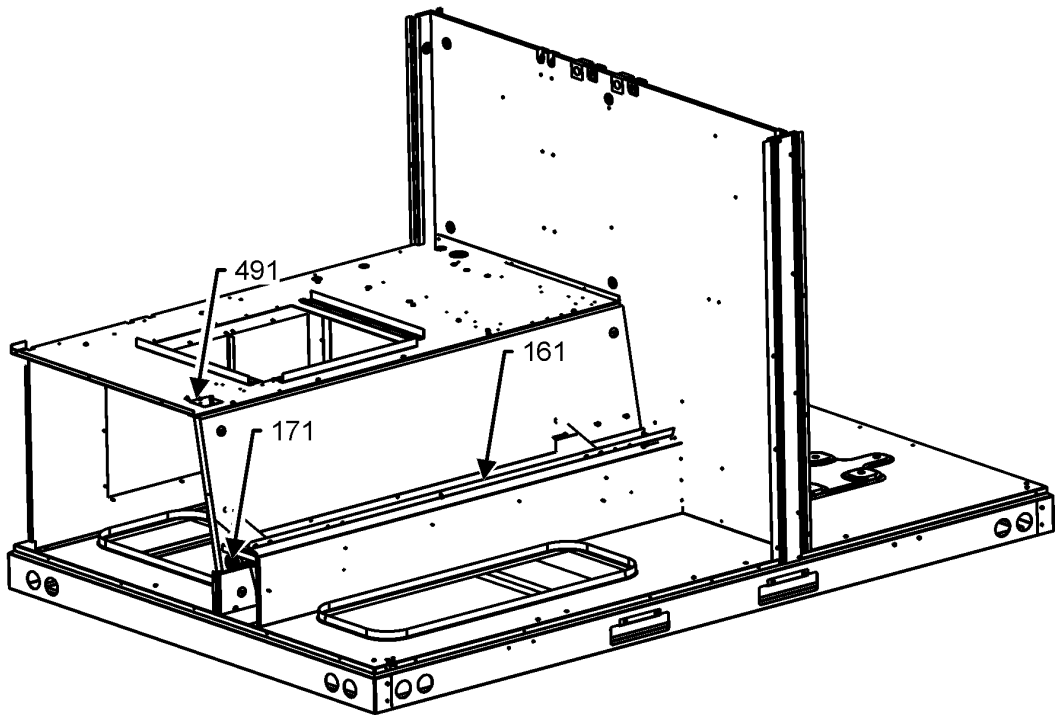
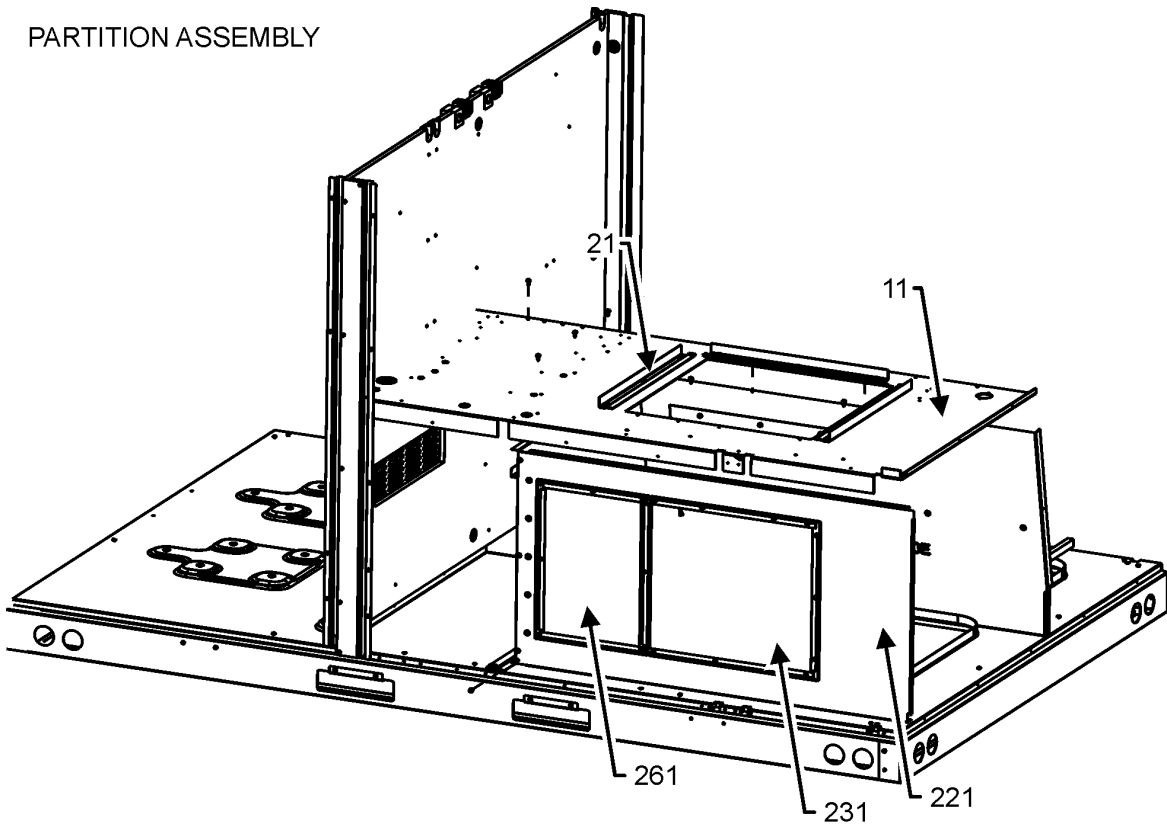
11	0130M00582	CONTROL, DEFROST (QTY 2)
41	0202L00341	ASSY. EVAP COIL
51	0201L00609	ASSY. OD COIL CIRCUITING (QTY 2)
61	0121L04202SB	PAINTED, PANEL, OUTDOOR
121	0130M00074	HIGH PRESSURE SWITCH (QTY 2)
131	0130M00075	LOW PRESSURE SWITCH (QTY 2)
141	0151M00012	FILTER/DRIER-BI-FLOW (QTY 2)
221	0150L00003	BLADE-FAN 22" ALUM. CCW 30 DEG (QTY 2)
231	0131M00907	MOTOR, HP, 1/3, OD (M2)
231	0131M00908	MOTOR, HP, 1/3, OD, LAK (M3)
231	0131M00906	MOTOR, HP, 1/3, SP, 1, PL, 6 (M1)
241	0152G00000	FAN GRILLE, RAISED (QTY 2)
251	0161R00048	MOLDED RING VENTURI 22 (QTY 2)
261	0163M00004	SCREW #10X3/4 BLK (QTY 16)
271	0163M00006P	NUT, ACORN 5/16 HEX BLACK (QTY 8)
281	0121L02895	COIL BLOCKOFF (M2, M3)
281	0121L02896	COIL BLOCKOFF (M1)
291	0121L02898	COIL BLOCKOFF (M2, M3)
291	0121L02899	COIL BLOCKOFF (M1)
301	0161R00003P	CONDUIT (QTY 2)
311	0121L02437SB	PAINTED PANEL OUTDOOR TOP
371	0121L02586	C-CHANNEL (QTY 2)
511	B1339533	GROMMET, COMPRESSOR (QTY 8)
521	ZP49K5ETFD130	COMP, 40700, 380/420/50/3 (M2)
521	ZP49K5ETF5130	COMP, 49000/208/230/60/3 (M1)
521	ZP49K5ETFE130	COMP, 49000/208/230/60/3 (M3)
531	B1393740	COMP BOLT & SLEEVE (QTY 8)
NS	0160L00137	AIR FILTER (QTY 2)
NS	0160L00267	AIR FILTER (QTY 2)
NS	0251L00083	ASSY., EXPANSION VALVE
NS	0251L00084	ASSY., EXPANSION VALVE
NS	0159L00068	Harness, comp scroll (QTY 2)
NS	0159L00069	Harness, comp scroll (QTY 2)
NS	M0272803	WASHER LOCK (QTY 4)
NS	0163M00005P	WASHER, BLACK .500D.218ID (QTY 8)

**Expanded Model Nomenclature**

M1 - DRC1203D000001SAA
M2 - DRC1204D000001SAA
M3 - DRC1207D000001SAA

# PARTITION ASSEMBLY

PARTITION ASSEMBLY



PARTITION ASSEMBLY MAY DIFFER FROM WHAT IS SHOWN

# PARTITION ASSEMBLY

Ref. Part No:	No:	Description:	Ref. Part No:	No:	Description:
---------------	-----	--------------	---------------	-----	--------------

---

**Image 1:**

11	0121L04124	PANEL, BLOWER DECK
21	0121L02651	BLOWER SLIDE PLATE (QTY 3)
161	0161L00002	DRAIN PAN EVAP 7TO12
171	0154L00180	GASKET, DRAIN PAN
221	0121L04010	PANEL FRONT, EHK
231	0121L03965	PNL, COVER EHK
261	0121L03458	PANEL EHK BLOCK OFF
491	0121L00321	COVER SMOKE DETECTOR
NS	0121L02873	CHANNEL, DRAINPAN BASE
NS	0121L03810	PLATE, COIL SUPPORT
NS	0161L00012	PLUG DRAIN PAN

**Expanded Model Nomenclature**

M1 - DRC1203D000001SAA

M2 - DRC1204D000001SAA

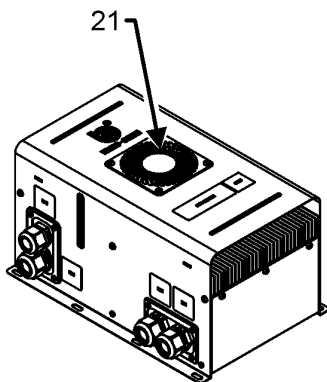
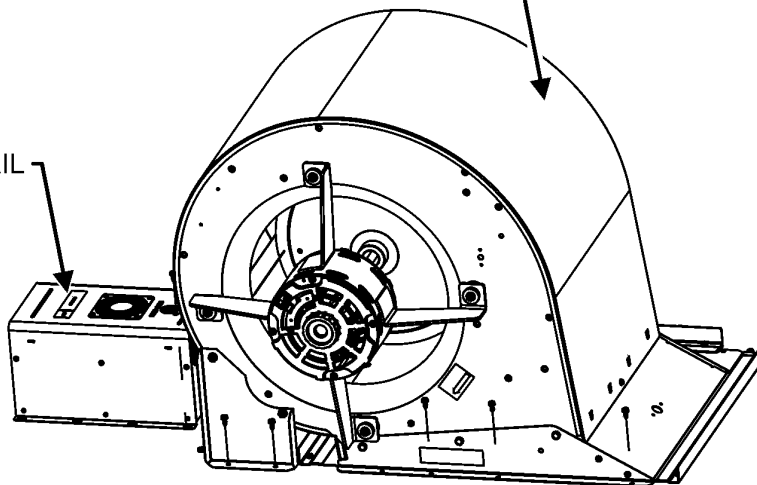
M3 - DRC1207D000001SAA

# BLOWER ASSEMBLY

BLOWER ASSEMBLY

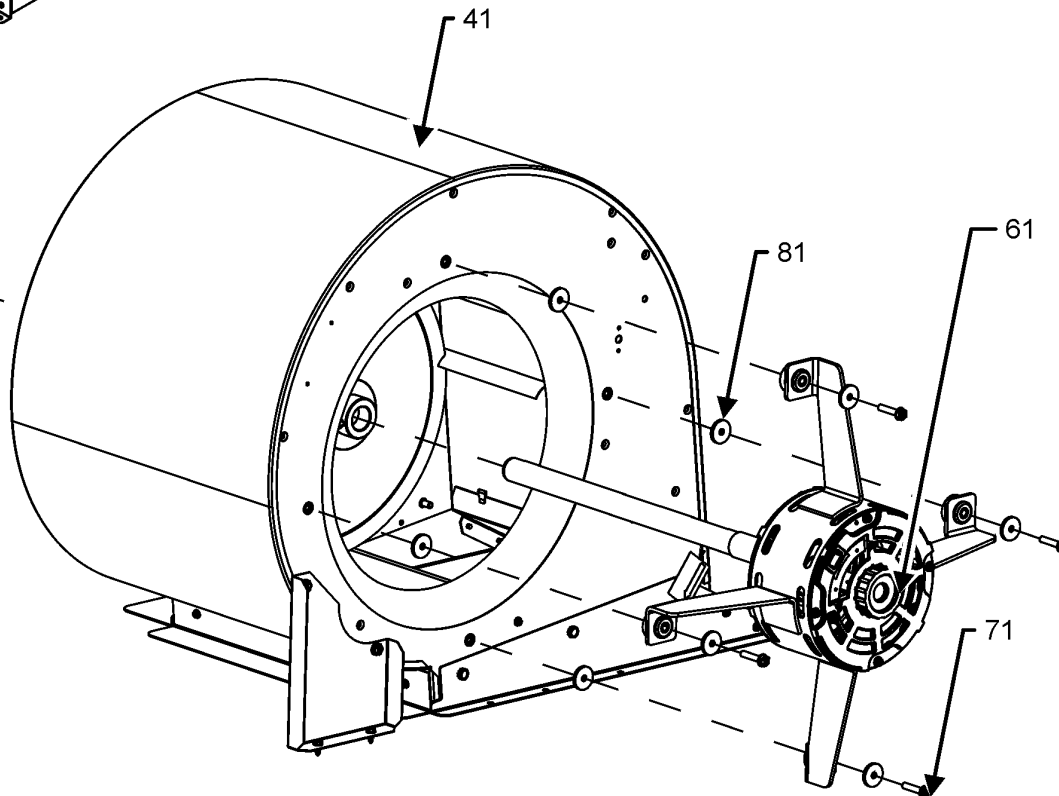
SEE BLOWER DETAIL

SEE MOTOR CONTROLLER DETAIL



MOTOR CONTROLLER DETAIL

BLOWER DETAIL



BLOWER ASSEMBLY MAY DIFFER FROM WHAT IS SHOWN

# BLOWER ASSEMBLY

Ref. Part No:	No:	Description:	Ref. Part No:	No:	Description:
---------------	-----	--------------	---------------	-----	--------------

---

**Image 1:**

21	0131L00236	MOTOR CONTROLLER (M1)			
21	0131L00238	MOTOR CONTROLLER (M2)			
21	0131L00240	MOTOR CONTROLLER (M3)			
41	0271L00148	ASSY, BLOWER PURCHASED 16X18			
61	0131L00150	MOTOR, PROGRAMMED			
71	M0250565	SCREW-TC 1.25" (QTY 4)			
81	B1392918	WASHER, FLAT 1/4 ID X 1 OD (QTY 8)			
NS	0121L04070	BRACKET, MOTOR HOUSING			

**Expanded Model Nomenclature**

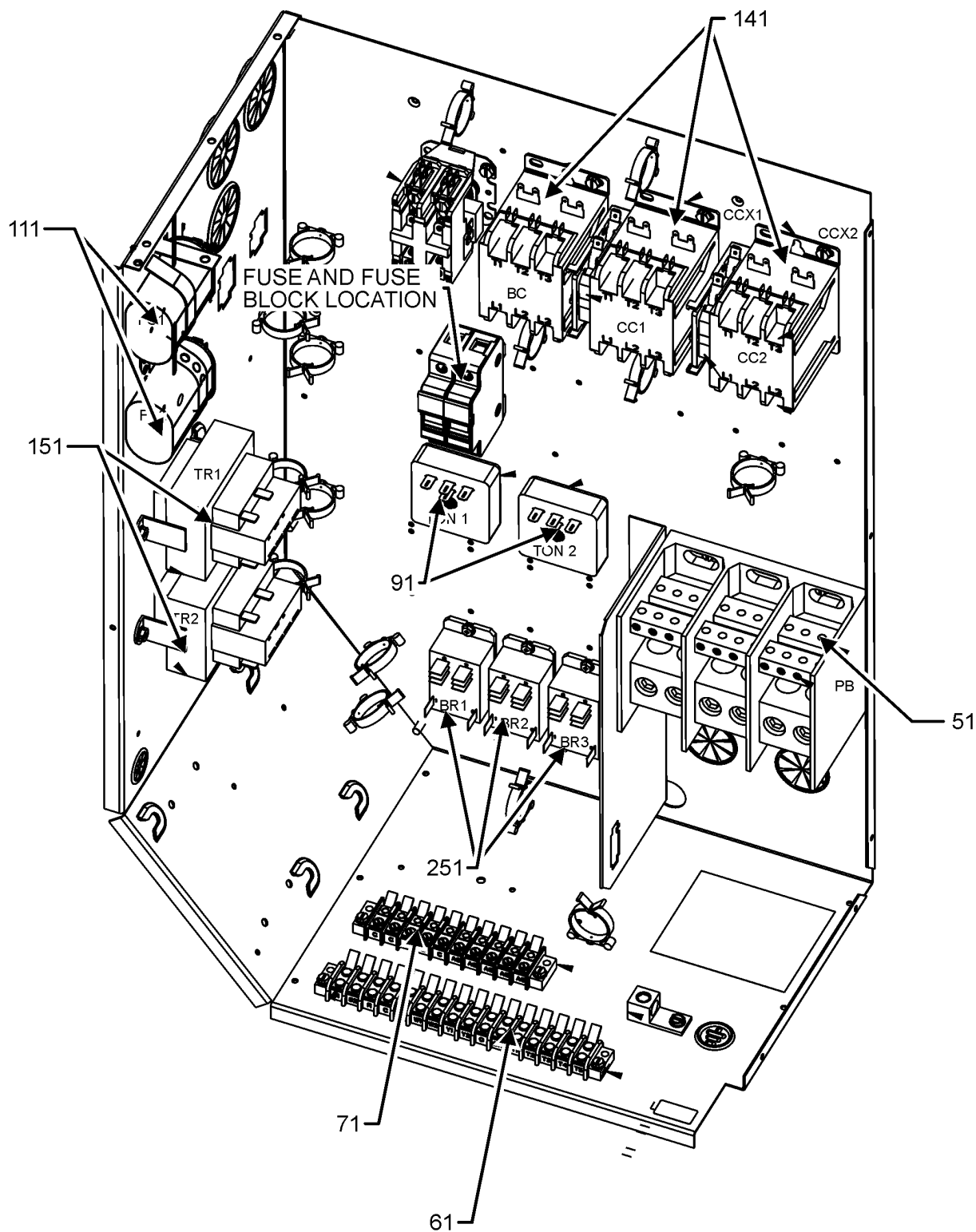
M1 - DRC1203D000001SAA

M2 - DRC1204D000001SAA

M3 - DRC1207D000001SAA

# CONTROL BOX ASSEMBLY

## CONTROL BOX ASSEMBLY



CONTROL BOX ASSEMBLY MAY DIFFER FROM WHAT IS SHOWN

# CONTROL BOX ASSEMBLY

Ref. Part No:	No:	Description:	Ref. Part No:	No:	Description:
---------------	-----	--------------	---------------	-----	--------------

---

**Image 1:**

51	0130L00217	POWER,BLOCK
61	0130M00038	TERMINAL BOARD
71	0130M00443	TERMINAL BLOCK
91	B1370772	TIME DEALY ICM 180SEC DELA (QTY 2)
111	CAP100000370LA	CAP, 10 MFD/370V/OVAL (M1, M2)
111	CAP050000440LA	CAPACITOR (M3)
141	CONT3P030024V	CONT, 3 POLE 30 AMP 24VAC (QTY 3)
151	0130M00598	TRANSFMR, 75VA, 575V TO 24V (M3)
151	0130M00594	TRANSFORMER (M1)
151	0130M00595	TRANSFORMER, 75VA, 480V TO 24V (M2)
251	0130M00178	DPDT RELAY 24 VAC (QTY 3)
NS	B821700	BOOT CAPACITOR (QTY 2)
NS	20520901	STRAP CAPACITOR (QTY 7)

**Expanded Model Nomenclature**

M1 - DRC1203D000001SAA
M2 - DRC1204D000001SAA
M3 - DRC1207D000001SAA

# ACCESSORY PARTS LIST

NOTE: NOT ALL OPTIONS AVAILABLE FOR ALL PRODUCTS

FOR ACCESSORY PARTS SEE THE FOLLOWING PART MANUAL

**RP-FIOPMC\***

**RP-EHS[D/B]MC\***

**RP-EHX[D/B]MC\***

# ACCESSORY LIST

Ref. Part No:	No:	Description:	Ref. Part No:	No:	Description:
---------------	-----	--------------	---------------	-----	--------------

---

**Image 1:**

NS	RP-FIOPMC*	ACCESSORY RP MANUAL			
NS	RP-HXMC*	HEAT EXCHANGE FOR MEDIUM CHASSIS RP MANUAL			
NS	RP-EHS(D/B)MC*	HEATER KIT RP MANUAL			
NS	RP-EH(D/B)MC*	HEATER KIT RP MANUAL			

**Expanded Model Nomenclature**

M1 - DRC1203D000001SAA
M2 - DRC1204D000001SAA
M3 - DRC1207D000001SAA