

## Commercial 6 Ton DDC Control Package Cooling Unit

DRC0723DDDCAA  
DRC0723WDDCAA  
DRC0724DDDCAA  
DRC0724WDDCAA  
DRC0727DDDCAA  
DRC0727WDDCAA



This manual is to be used by qualified technicians only.

# Important Information

---

## Index

Functional Parts List .....	3
Illustration and Parts .....	4 - 15

*Views shown are for parts illustrations only, not servicing procedures*

### Text Codes:

AR - As Required

NA - Not Available

NS - Not Shown

00000000 - See Note

QTY - Quantity Example (QTY 3) (If Quantity not shown, Quantity = 1)

M - Model Example (M1) (If M Code not shown, then part is used on all Models)

### Expanded Model Nomenclature:

Example M1 - Model#1 M2 - Model#2 M3 - Model#3
---

Daikin Company, L.P. is not responsible for personal injury or property damage resulting from improper service. Review all service information before beginning repairs.

Warranty service must be performed by an authorized technician, using authorized factory parts. If service is required after the warranty expires, Daikin Company, L.P. also recommends contacting an authorized technician and using authorized factory parts.

Daikin Company, L.P. reserves the right to discontinue, or change at any time, specifications or designs without notice or without incurring obligations.

For assistance within the U.S.A. contact:

Equipment Support  
Daikin North America, LLC  
19001 Kermier Road  
Waller, Texas 77484  
855-770-5678-Telephone  
713-863-2382-Facsimile

For assistance outside the U.S.A. contact:

International Division  
Daikin North America, LLC  
19001 Kermier Road  
Waller, Texas 77484  
713-861-2500-Telephone  
713-863-2382-Facsimile

# Functional Parts

## Part

## No: Description:

---

CAP100000440LA	CAP 10 MFD/440V/OVAL (M3, M4)
CAP100000370LA	CAP, 10 MFD/370V/OVAL (M1, M2)
CAP050000440LA	CAPACITOR (M5, M6)
ZPS60K5ETFD130	COMP, 60900, 460/60/3 2 STAGE (M3, M4)
ZPS60K5ETF5130	COMP, 61000, 200/230/60/3 2 ST (M1, M2)
ZPS60K5ETFE130	COMP, 61000, 575/60/3 2 STAGE (M5, M6)
CONT3P025024V	CONT, 3 POLE, 25 AMP, 24 VAC
CONT3P030024V	CONT, 3 POLE, 30 AMP, 24 VAC (M1, M2)
0130M00579	DDC CONTROLLER 39IO
0130M00178	DPDT RELAY 24VAC (QTY 2)
0130L00228	DUCT TEMP SENSOR
0251L00012	EXPANSION VALVE ASSY
B1086765	FAN BLADE, TYPE 3
0130M00583	FREEZE STAT
0130M00280	HIGH PRESSURE SWITCH
0131M00876	ID MOTOR (M2)
0131M00948	ID MOTOR (M1)
0131M00949	ID MOTOR (M3)
0131M00878	ID MOTOR (M6)
0131M00950	ID MOTOR (M5)
0131M00877	ID MOTOR (M4)
0130M00087	LOW PRESSURE SWITCH
0131M00430	MOTOR, 1/3 HP, 1 SP, 6 PL (M1, M2)
0131M00774	MOTOR, 1/3 HP, OD (M3, M4)
0131M00858	MOTOR, 1/3 HP, OD (M5, M6)
0130L00227	OUTDOOR AIR TEMP SENSOR
0130F00647	PRESSURE SWITCH
0130L00226	SPACE TEMPERATURE SENSOR
0130M00598	TRANSFMR, 75VA, 575V TO 24V (M5, M6)
0130M00594	TRANSFORMER (M1, M2)
0130M00595	TRANSFORMER, 75VA, 480V TO 24V (M3, M4)

### SPECIAL PARTS

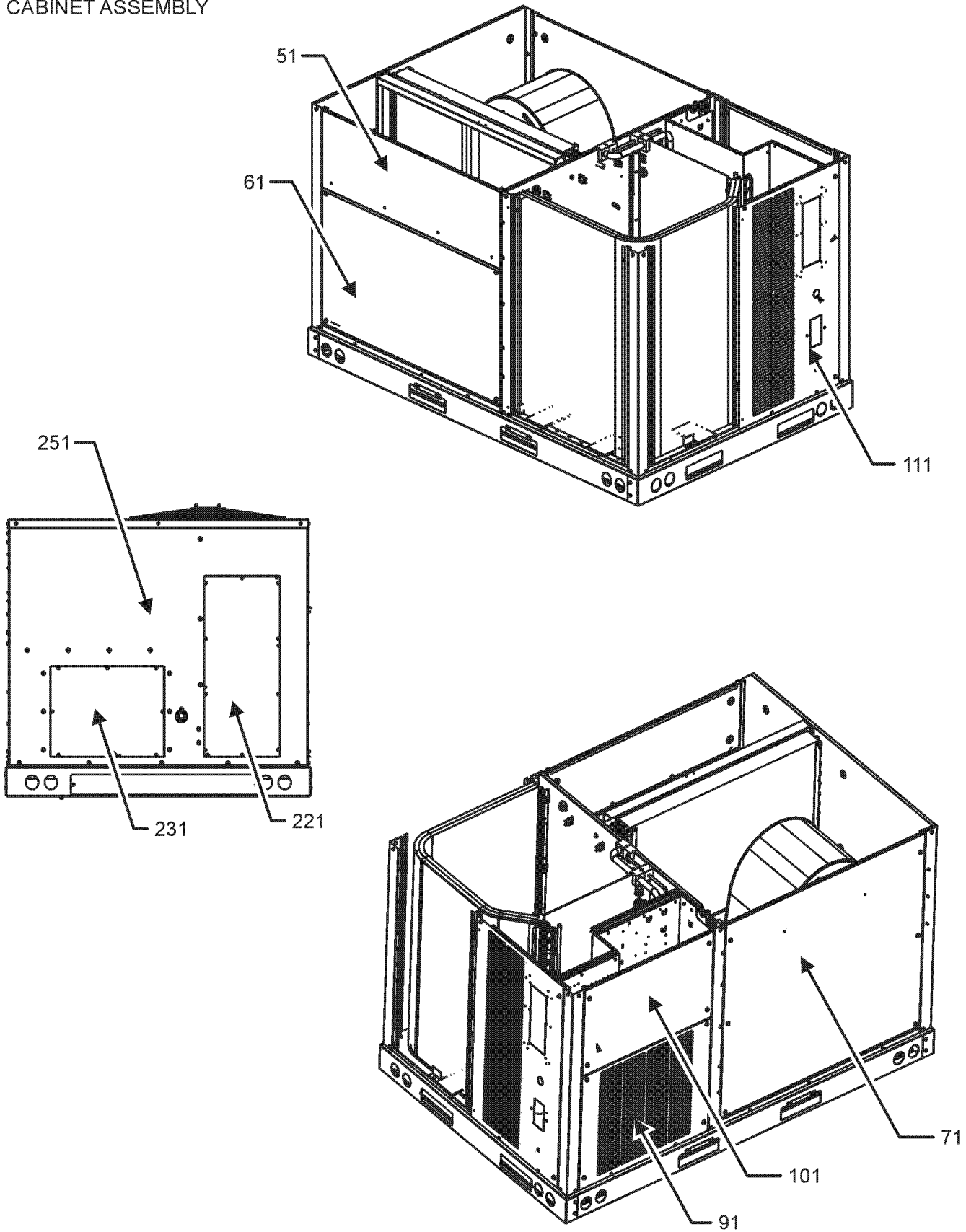
RP-FIOPSC*	ACCESSORY RP MANUAL
BDG-ILINQA	DAIKIN ILINQ BACNET DES GUIDE DAIKIN
QSG-ILINQA	ILINQ QUICK START GUIDE DAIKIN ILINQ
UM-ILINQA	USER MANUAL
RP-EHX(D/B)SC*	HEATER KIT RP MANUAL
RP-EHS(D/B)SC*	HEATER KIT RP MANUAL

### Expanded Model Nomenclature

M1 - DRC0723DDDCAA
M2 - DRC0723WDDCAA
M3 - DRC0724DDDCAA
M4 - DRC0724WDDCAA
M5 - DRC0727DDDCAA
M6 - DRC0727WDDCAA

# CABINET ASSEMBLY

## CABINET ASSEMBLY



# CABINET ASSEMBLY

Ref. Part No:	No:	Description:	Ref. Part No:	No:	Description:
---------------	-----	--------------	---------------	-----	--------------

---

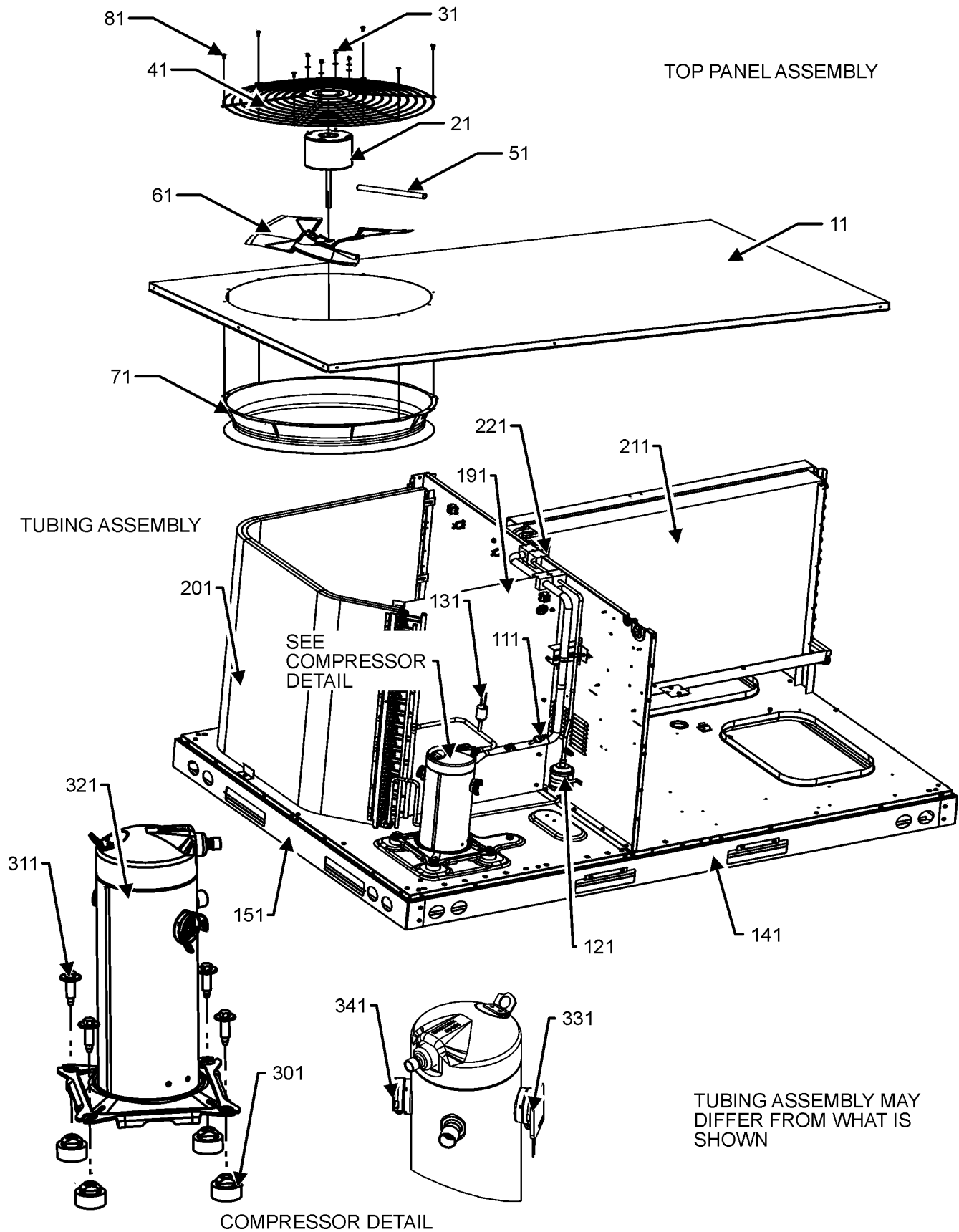
**Image 1:**

51	0121L01807SB	PAINTED FILTER PANEL
61	0121L01651SB	PAINTED ECONOMIZER PANEL
71	0121L02361SB	PAINTED BLOWER PANEL
91	0121L02359SB	PAINTED COMPRESSOR PANEL
101	0121L02262SB	PAINTED CONTROL BOX PANEL
111	0121L03644SB	PAINTED, COMPRESSOR BACK PANEL
221	0121L02910SB	PAINTED COVER-DUCT RETURN
231	0121L02911SB	PAINTED COVER-DUCT SUPPLY
251	0121L03337SB	PAINTED, DUCT PANEL

**Expanded Model Nomenclature**

- |                    |
|--------------------|
| M1 - DRC0723DDDCAA |
| M2 - DRC0723WDDCAA |
| M3 - DRC0724DDDCAA |
| M4 - DRC0724WDDCAA |
| M5 - DRC0727DDDCAA |
| M6 - DRC0727WDDCAA |

# TOP PANEL AND TUBING ASSEMBLY



# TOP PANEL AND TUBING ASSEMBLY

Ref. Part No: No:	Description:	Ref. Part No: No:	Description:
-------------------	--------------	-------------------	--------------

**Image 1:**

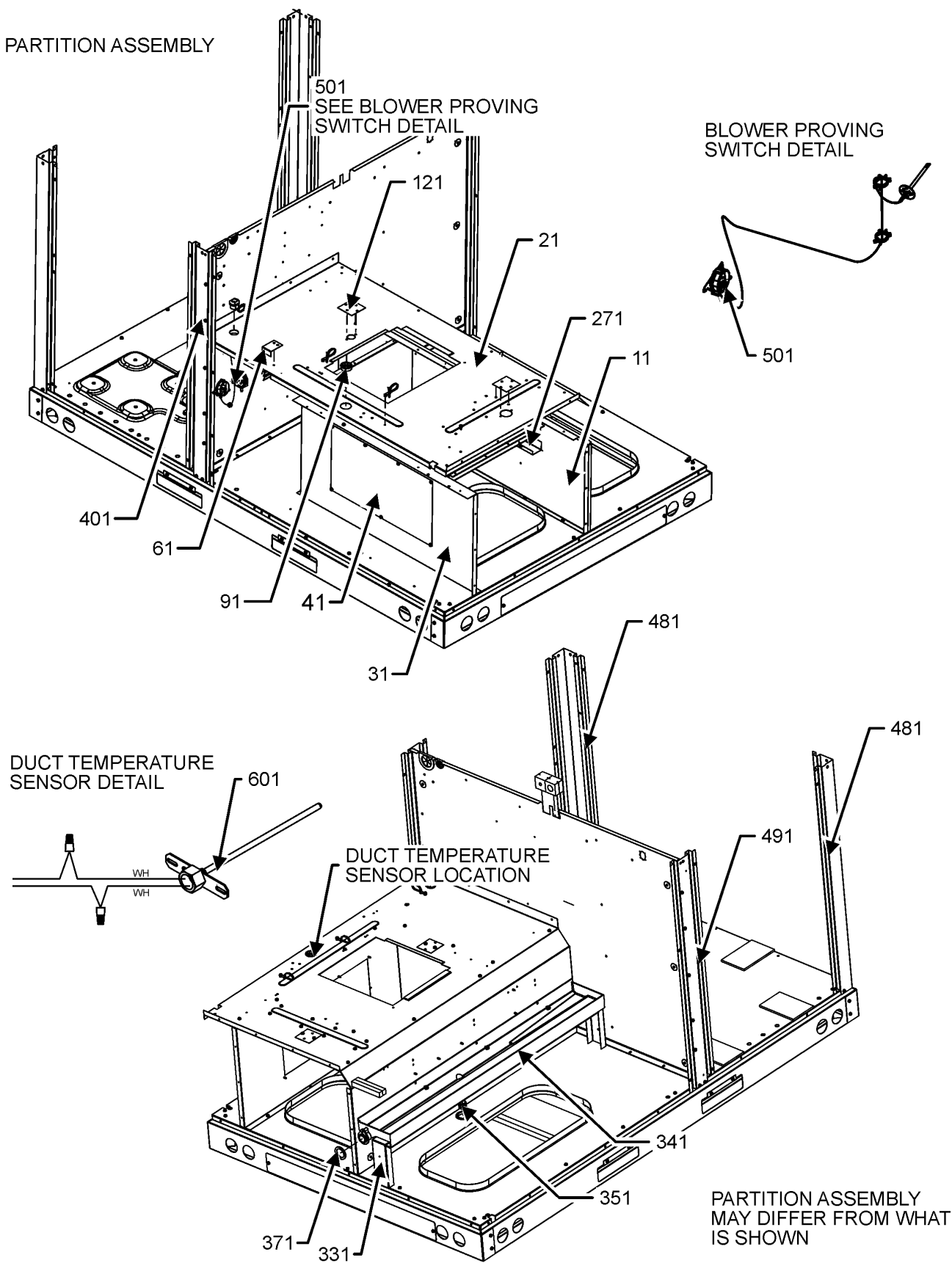
11	0121L01626SB	PAINTED, TOP PANEL
21	0131M00430	MOTOR, 1/3 HP, 1 SP, 6 PL (M1, M2)
21	0131M00774	MOTOR, 1/3 HP, OD (M3, M4)
21	0131M00858	MOTOR, 1/3 HP, OD (M5, M6)
31	0163M00006P	ACORN NUT 5/16 HEX BLACK (QTY 4)
41	0152G00000	FAN GRILLE, RAISED
51	0161R00003P	CONDUIT
61	B1086765	FAN BLADE, TY PE 3
71	0161R00048	MOLDED RING-VENTURI 22
81	0163M00004	SCREW #10X3/4", BLACK (QTY 8)
111	0130M00087	LOW PRESSURE SWITCH
121	0162R00056	FILTER/DRIER-BI-FLOW
131	0130M00280	HIGH PRESSURE SWITCH
141	0121L01620	SMALL SIDE RAIL (QTY 2)
151	0121L01621	SMALL END RAIL (QTY 2)
191	0121L01971	OD COIL BLOCKOFF
201	0201L00334	ASSY., OD COIL TUBING
211	0202L00194	ASSY, ID, COIL, TUBING
221	0251L00012	EXPANSION VALVE ASSY
301	B1339533	COMPRESSOR GROMMET (QTY 4)
311	B1393740	COMP. BOLT & SLEEVE (QTY 4)
321	ZPS60K5ETFD130	COMP, 60900, 460/60/3 2 STAGE (M3, M4)
321	ZPS60K5ETF5130	COMP, 61000, 200/230/60/3 2 ST (M1, M2)
321	ZPS60K5ETFE130	COMP, 61000, 575/60/3 2 STAGE (M5, M6)
331	0159L00065	Harness, comp s croll
341	0159G00010	CABLE, COMPR SCROLL
NS	0141L00003X	BOARD-FORK (QTY 2)
NS	0130M00583	FREEZE STAT
NS	0121L03516	PNL, BRACKET, FORK BOARD (QTY 4)
NS	0163M00005P	WASHER, BLACK (.50 OD .218ID) (QTY 4)

**Expanded Model Nomenclature**

M1 - DRC0723DDDCAA
M2 - DRC0723WDDCAA
M3 - DRC0724DDDCAA
M4 - DRC0724WDDCAA
M5 - DRC0727DDDCAA
M6 - DRC0727WDDCAA

# PARTITION ASSEMBLY

PARTITION ASSEMBLY



# PARTITION ASSEMBLY

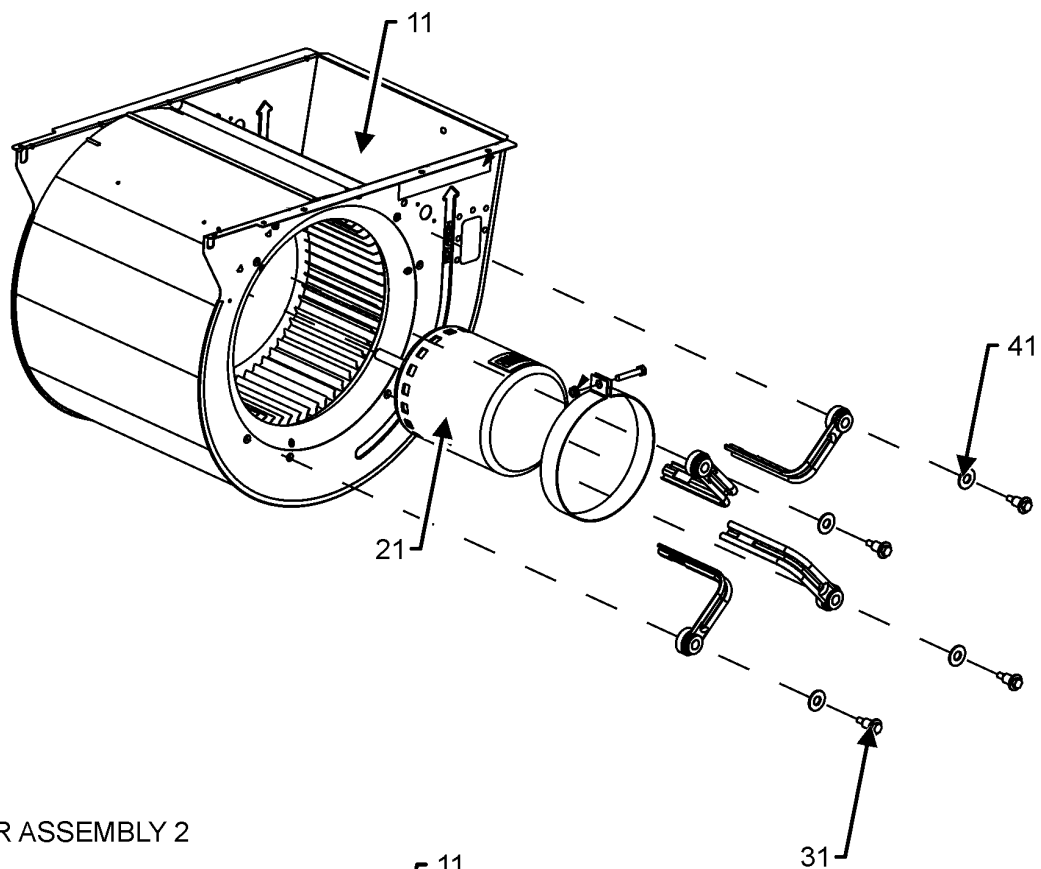
Ref. Part No:	Ref. Part No:	Description:	Description:
<b>Image 1:</b>			
11	0121L02584	BLOWER DECK SIDE	
21	0121L04271	PANEL, BLOWER DECK	
31	0121L04004	HEAT KIT BOX	
41	0121L00144	COVER-ELECTRIC HEAT	
61	0121L01709	BLOWER DECK PLATE	
91	B1392147	UNIVERSIAL BUSHING WITH SLICE (QTY 2)	
121	0121L00321	COVER-SMOKE DETECTOR (QTY 2)	
271	0121L02633	BLOWER DECK U-BRACKET	
331	0121L01803	DRAINPAN SUPPORT	
341	0161L00007	DRAIN PAN, EVAPORATOR 3-5 TON	
351	0163L00071	PLUG, DRAIN	
371	0154L00180	GASKET, DRAIN PAN	
401	0121L02699SB	PAINTED SIDE POST	
481	0121L01802SB	PAINTED CORNER POST (QTY 2)	
491	0121L03449SB	PAINTED, SIDE POST	
501	0130F00647	PRESSURE SWITCH	
601	0130L00228	DUCT TEMP SENSOR	
NS	0160L00136	AIR FILTER (QTY 4)	
NS	A4568804	GROMMET-D	
NS	0164G00005	GROMMET-HORSESHOW 1.675	
NS	0121L01815	OD COIL BLOCKOFF ANGLE	
NS	0121L03515	RETAINER - ELECTRIC HEAT	

## Expanded Model Nomenclature

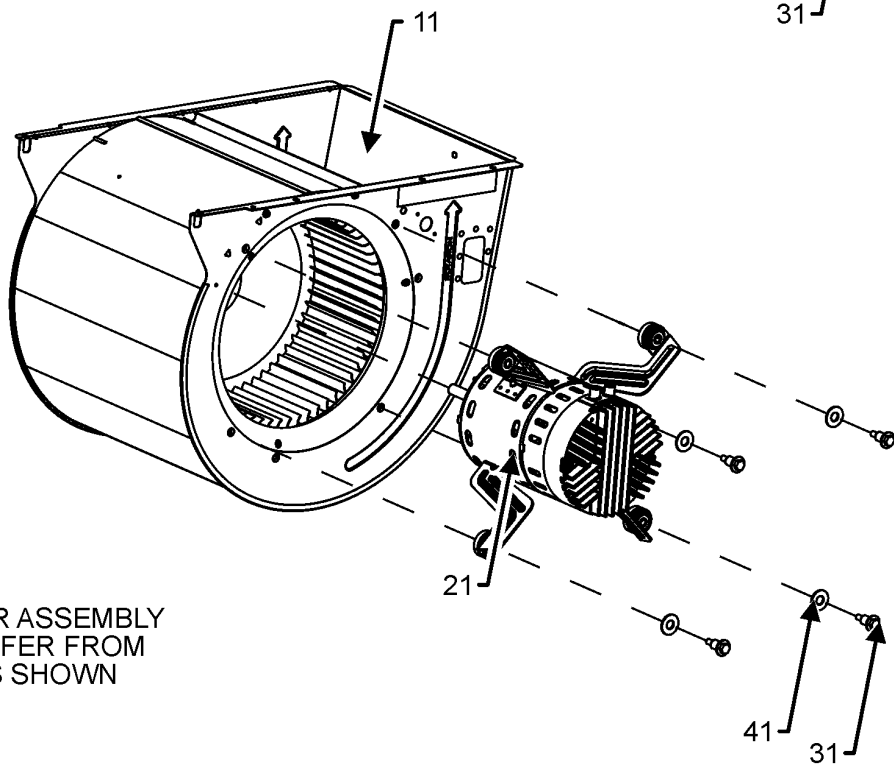
- |                    |
|--------------------|
| M1 - DRC0723DDDCAA |
| M2 - DRC0723WDDCAA |
| M3 - DRC0724DDDCAA |
| M4 - DRC0724WDDCAA |
| M5 - DRC0727DDDCAA |
| M6 - DRC0727WDDCAA |

# BLOWER ASSEMBLY

## BLOWER ASSEMBLY 1



## BLOWER ASSEMBLY 2



BLOWER ASSEMBLY  
MAY DIFFER FROM  
WHAT IS SHOWN

# BLOWER ASSEMBLY

Ref. Part No:	No:	Description:	Ref. Part No:	No:	Description:
---------------	-----	--------------	---------------	-----	--------------

---

**Image 1:**

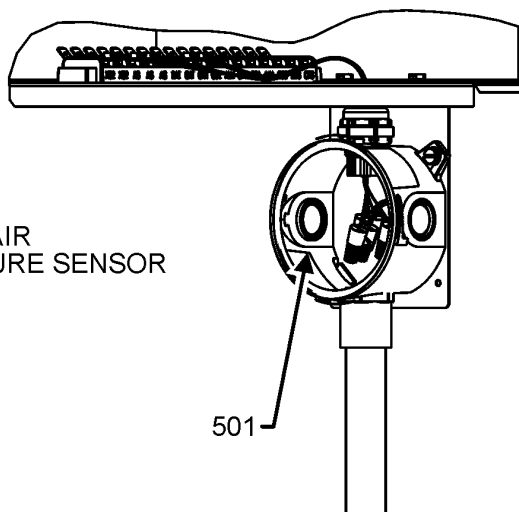
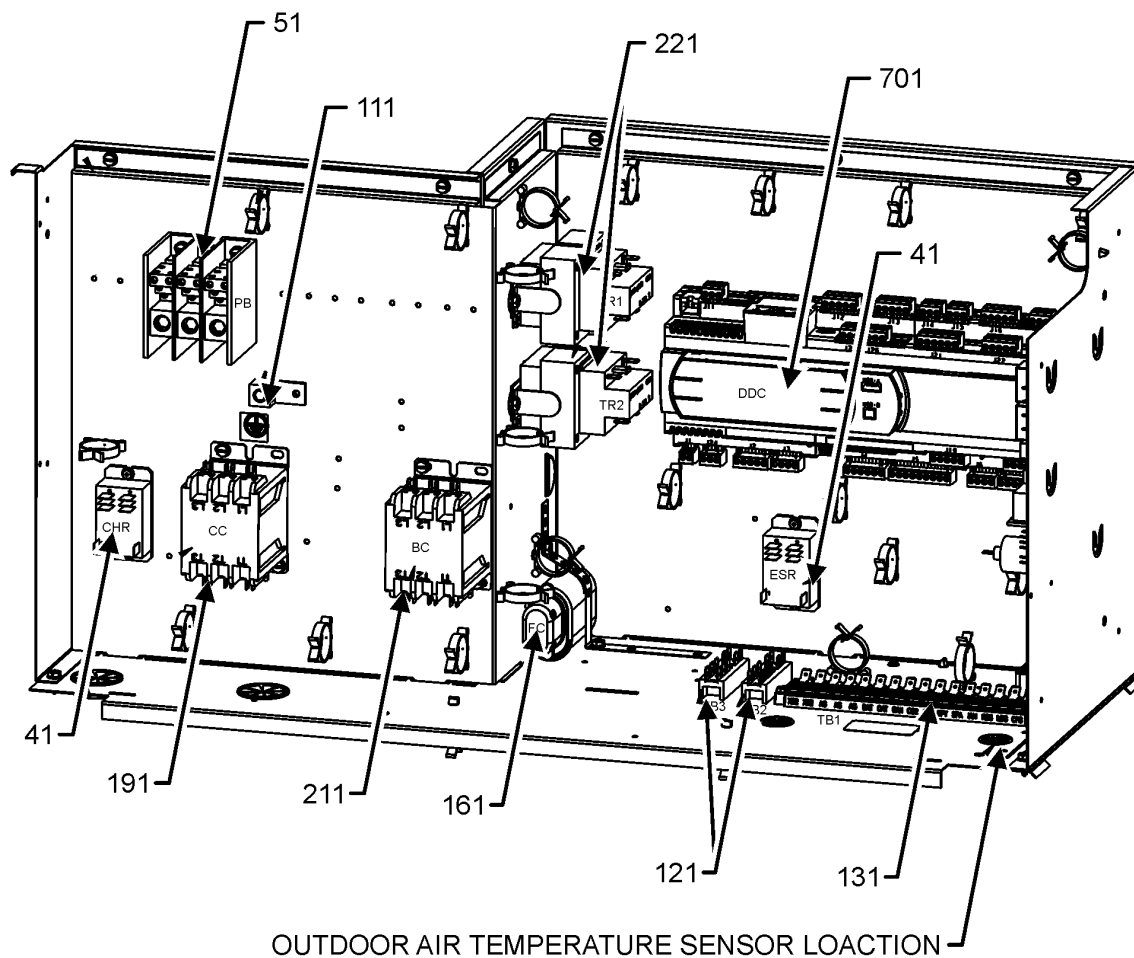
11	0271L00137	ASSY., BLOWER HOUSING
21	0131M00876	ID MOTOR (M2)
21	0131M00877	ID MOTOR (M4)
21	0131M00878	ID MOTOR (M6)
21	0131M00948	ID MOTOR (M1)
21	0131M00949	ID MOTOR (M3)
21	0131M00950	ID MOTOR (M5)
31	M0250565	SCREW-TC 1.25" (QTY 4)
41	B1392918	WASHER, FLAT 1/4 ID X 1 OD (QTY 4)

**Expanded Model Nomenclature**

M1 - DRC0723DDDCAA
M2 - DRC0723WDDCAA
M3 - DRC0724DDDCAA
M4 - DRC0724WDDCAA
M5 - DRC0727DDDCAA
M6 - DRC0727WDDCAA

# CONTROL BOX ASSEMBLY

## CONTROL BOX ASSEMBLY



CONTROL BOX ASSEMBLY MAY DIFFER FROM WHAT IS SHOWN

# CONTROL BOX ASSEMBLY

Ref. Part No:	Part No:	Description:	Ref. Part No:	Part No:	Description:
---------------	----------	--------------	---------------	----------	--------------

**Image 1:**

41	0130M00178	DPDT RELAY 24 VAC (QTY 2)
51	0130M00509	BLOCK POWER
111	0130L00005	GROUND LUG
121	802007090	TERM BOARD (QTY 2)
131	0130M00415	TERMINAL BOARD
161	CAP100000440LA	CAP 10 MFD/440V/OVAL (M3, M4)
161	CAP100000370LA	CAP, 10 MFD/370V/OVAL (M1, M2)
161	CAP050000440LA	CAPACITOR (M5, M6)
191	CONT3P025024V	CONT, 3 POLE, 25 AMP, 24 VAC (M3, M4, M5, M6)
191	CONT3P030024V	CONT, 3 POLE, 30 AMP, 24 VAC (M1, M2)
211	CONT3P025024V	CONT, 3 POLE, 25 AMP, 24 VAC
221	0130M00598	TRANSFMR, 75VA, 575V TO 24V (M5, M6)
221	0130M00594	TRANSFORMER (M1, M2)
221	0130M00595	TRANSFORMER, 75VA, 480V TO 24V (M3, M4)
501	0130L00227	OUTDOOR AIR TEMP SENSOR
701	0130M00579	DDC CONTROLLER 39IO
NS	B821700	BOOT CAPACITOR
NS	BDG-ILINQA	DAIKIN ILINQ BACNET DES GUIDE
NS	QSG-ILINQA	DAIKIN ILINQ QUICK START GUIDE
NS	UM-ILINQA	DAIKIN ILINQ USER MANUAL
NS	0130L00252	PROGRAM APP CONTROLLER DDC
NS	0130L00226	SPACE TEMPERATURE SENSOR
NS	20520901	STRAP-CAPACITOR

**Expanded Model Nomenclature**

M1 - DRC0723DDDCAA
M2 - DRC0723WDDCAA
M3 - DRC0724DDDCAA
M4 - DRC0724WDDCAA
M5 - DRC0727DDDCAA
M6 - DRC0727WDDCAA

# ACCESSORY PARTS LIST

NOTE: NOT ALL OPTIONS AVAILABLE FOR ALL PRODUCTS

FOR ACCESSORY PARTS SEE THE FOLLOWING PART MANUAL

**RP-FIOPSC\***

**RP-EHS[D/B]SC\***

**RP-EHX[D/B]SC\***

# ACCESSORY PARTS

**Ref. Part**

**No: No:**

**Description:**

**Ref. Part**

**No: No:**

**Description:**

---

**Image 1:**

NS RP-FIOPSC\* ACCESSORY RP MANUAL

NS RP-EHS(D/B)SC\* HEATER KIT RP MANUAL

NS RP-EH(D/B)SC\* HEATER KIT RP MANUAL

**Expanded Model Nomenclature**

M1 - DRC0723DDDCAA

M2 - DRC0723WDDCAA

M3 - DRC0724DDDCAA

M4 - DRC0724WDDCAA

M5 - DRC0727DDDCAA

M6 - DRC0727WDDCAA