

Commercial 5 Ton DDC Control Package Cooling Unit

DRC0603DDDCAA
DRC0603WDDCAA
DRC0604DDDCAA
DRC0604WDDCAA
DRC0607DDDCAA
DRC0607WDDCAA



This manual is to be used by qualified technicians only.

Important Information

Index

Functional Parts List	3
Illustration and Parts	4 - 15

Views shown are for parts illustrations only, not servicing procedures

Text Codes:

AR - As Required

NA - Not Available

NS - Not Shown

00000000 - See Note

QTY - Quantity Example (QTY 3) (If Quantity not shown, Quantity = 1)

M - Model Example (M1) (If M Code not shown, then part is used on all Models)

Expanded Model Nomenclature:

Example M1 - Model#1 M2 - Model#2 M3 - Model#3

Daikin Company, L.P. is not responsible for personal injury or property damage resulting from improper service. Review all service information before beginning repairs.

Warranty service must be performed by an authorized technician, using authorized factory parts. If service is required after the warranty expires, Daikin Company, L.P. also recommends contacting an authorized technician and using authorized factory parts.

Daikin Company, L.P. reserves the right to discontinue, or change at any time, specifications or designs without notice or without incurring obligations.

For assistance within the U.S.A. contact:

Equipment Support
Daikin North America, LLC
19001 Kermier Road
Waller, Texas 77484
855-770-5678-Telephone
713-863-2382-Facsimile

For assistance outside the U.S.A. contact:

International Division
Daikin North America, LLC
19001 Kermier Road
Waller, Texas 77484
713-861-2500-Telephone
713-863-2382-Facsimile

Functional Parts

Part

No: Description:

10625733	BLADE-FAN 22" ALUM CCW
0130L00164	CLASS CC FUSE 5A (M5, M6)
ZPS49K5ETF5130	COMP, 49000/208/230/60/3 2 ST (M1, M2)
ZPS49K5ETFE130	COMPRESSOR (M5, M6)
ZPS49K5ETFD130	COMPRESSOR (M3, M4)
CONT3P025024V	CONT, 3 POLE, 25 AMP, 24 VAC
CONT3P030024V	CONT, 3 POLE, 30 AMP, 24 VAC (M1, M2)
0130M00579	DDC CONTROLLER 39IO
0130M00178	DPDT RELAY 24VAC
0130L00228	DUCT TEMP SENSOR
0251L00011	EXPANSION VALVE ASSY
0130M00583	FREEZE STAT
0130M00280	HIGH PRESSURE SWITCH
0131M00950	ID MOTOR (M5)
0131M00878	ID MOTOR (M6)
0131M00876	ID MOTOR (M2)
0131M00877	ID MOTOR (M4)
0131M00949	ID MOTOR (M3)
0131M00948	ID MOTOR (M1)
0130M00087	LOW PRESSURE SWITCH
0131M00919	MOTOR (M3, M4)
0131M00804	MOTOR, ECM (M1, M2, M5, M6)
0130L00227	OUTDOOR AIR TEMP SENSOR
0130F00647	PRESSURE SWITCH
0130L00226	SPACE TEMPERATURE SENSOR
0130M00598	TRANSFMR, 75VA, 575V TO 24V (M5, M6)
0130M00594	TRANSFORMER (M1, M2)
0130M00668	TRANSFORMER (M5, M6)
0130M00595	TRANSFORMER, 75VA, 480V TO 24V (M3, M4)

SPECIAL PARTS

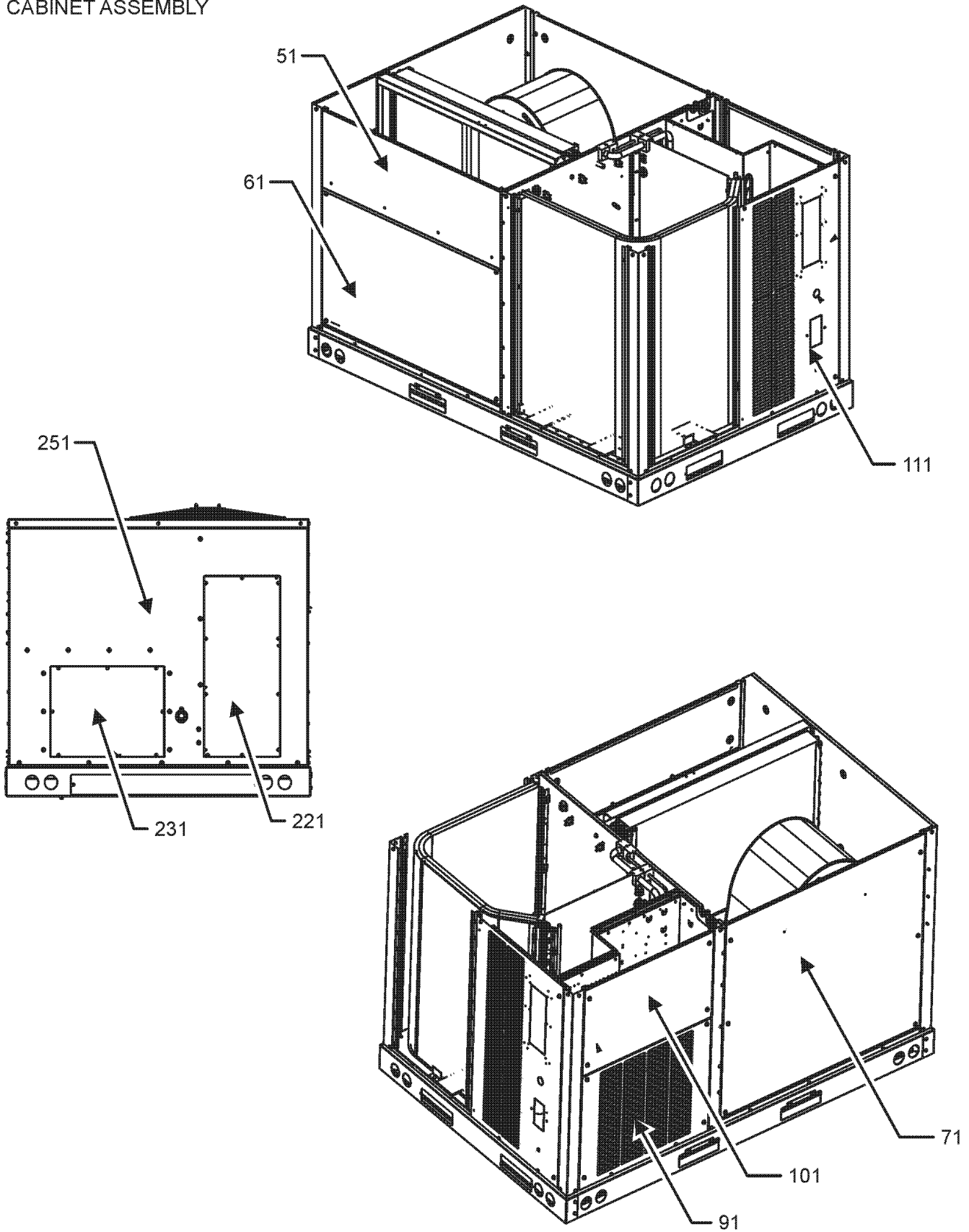
RP-FIOPSC*	ACCESSORY RP MANUAL
BDG-ILINQA	DAIKIN ILINQ BACNET DES GUIDE DAIKIN
QSG-ILINQA	ILINQ QUICK START GUIDE DAIKIN ILINQ
UM-ILINQA	USER MANUAL
RP-EHS(D/B)SC*	HEATER KIT RP MANUAL
RP-EHX(D/B)SC*	HEATER KIT RP MANUAL

Expanded Model Nomenclature

M1 - DRC0603DDDCAA
M2 - DRC0603WDDCAA
M3 - DRC0604DDDCAA
M4 - DRC0604WDDCAA
M5 - DRC0607DDDCAA
M6 - DRC0607WDDCAA

CABINET ASSEMBLY

CABINET ASSEMBLY



CABINET ASSEMBLY

Ref. Part No:	No:	Description:	Ref. Part No:	No:	Description:
---------------	-----	--------------	---------------	-----	--------------

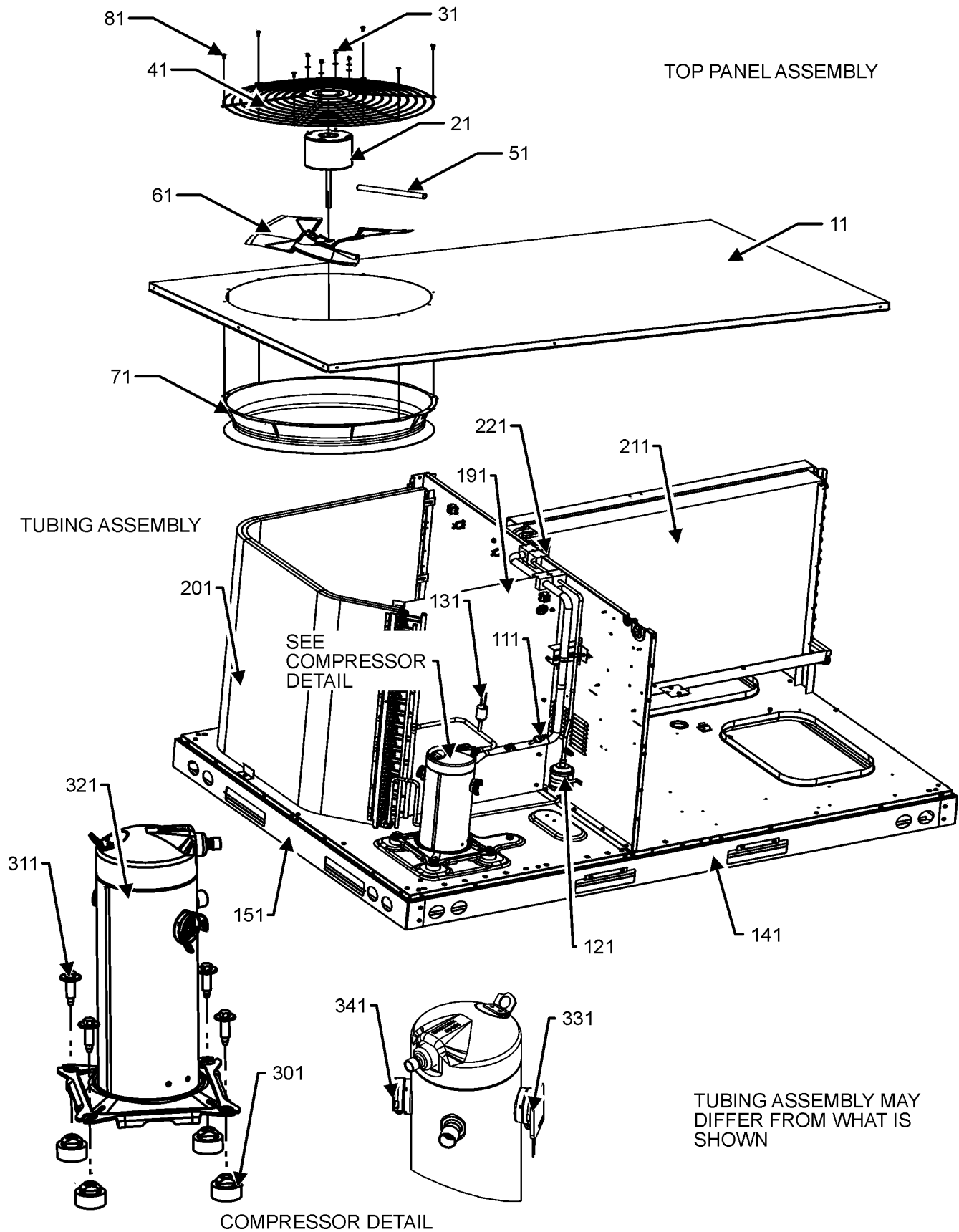
Image 1:

51	0121L01650SB	PAINTED FILTER PANEL
61	0121L01651SB	PAINTED ECONOMIZER PANEL
71	0121L02264SB	PAINTED BLOWER PANEL
91	0121L02265SB	PAINTED COMPRESSOR PANEL
101	0121L02262SB	PAINTED CONTROL BOX PANEL
111	0121L03643SB	PAINTED, COMPRESSOR BACK PANEL
221	0121L02910SB	PAINTED COVER-DUCT RETURN
231	0121L02911SB	PAINTED COVER-DUCT SUPPLY
251	0121L03346SB	PAINTED, DUCT PANEL

Expanded Model Nomenclature

- M1 - DRC0603DDDCAA
- M2 - DRC0603WDDCAA
- M3 - DRC0604DDDCAA
- M4 - DRC0604WDDCAA
- M5 - DRC0607DDDCAA
- M6 - DRC0607WDDCAA

TOP PANEL AND TUBING ASSEMBLY



TOP PANEL AND TUBING ASSEMBLY

Ref. Part No: No:	Description:	Ref. Part No: No:	Description:
-------------------	--------------	-------------------	--------------

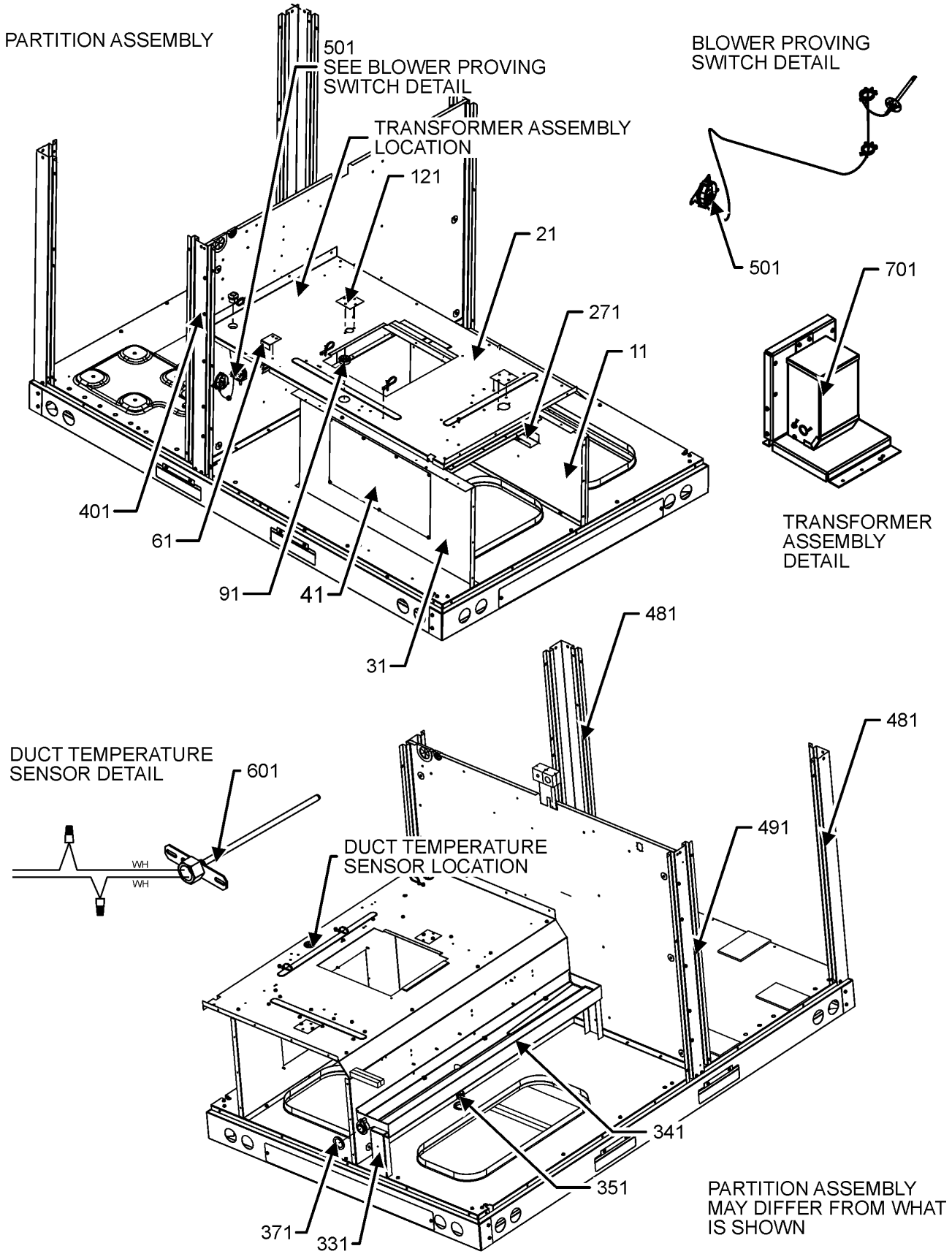
Image 1:

11	0121L01626SB	PAINTED, TOP PANEL (M1, M2, M5, M6)
11	0121L03080SB	PAINTED, TOP PANEL (M3, M4)
21	0131M00919	MOTOR (M3, M4)
21	0131M00804	MOTOR, ECM (M1, M2, M5, M6)
31	0163M00006P	ACORN NUT 5/16 HEX BLACK (M1, M2, M5, M6)
41	0152G00000	FAN GRILLE, RAISED
51	0161R00003P	CONDUIT (M1, M2, M5, M6)
61	10625733	BLADE-FAN 22" ALUM CCW
71	0161R00048	MOLDED RING VENTURI 22
81	0163M00004	SCREW #10X3/4", BLACK (QTY 8)
111	0130M00087	LOW PRESSURE SWITCH
121	0162R00056	FILTER/DRIER-BI-FLOW
131	0130M00280	HIGH PRESSURE SWITCH
141	0121L01620	SMALL SIDE RAIL (QTY 2)
151	0121L01621	SMALL END RAIL (QTY 2)
191	0121L01634	OD COIL BLOCKOFF
201	0201L00323	ASSY., OD COIL TUBING
211	0202L00191	ASSY, ID, COIL, TUBING
221	0251L00011	EXPANSION VALVE ASSY
301	B1339533	COMPRESSOR GROMMET (QTY 4)
311	B1393740	COMP. BOLT & SLEEVE (QTY 4)
321	ZPS49K5ETF5130	COMP, 49000/208/230/60/3 2 ST (M1, M2)
321	ZPS49K5ETFD130	COMPRESSOR (M3, M4)
321	ZPS49K5ETFE130	COMPRESSOR (M5, M6)
331	0159L00065	Harness, comp s scroll
341	0159G00010	CABLE, COMPR SCROLL
NS	0141L00003X	BOARD-FORK (QTY 2)
NS	0121R00301	BRACKET, MOTOR MOUTING (M3, M4)
NS	0130M00583	FREEZE STAT
NS	B1393804	NYLON LOCKNUT .31-18 (M3, M4)
NS	0121L03516	PNL, BRACKET, FORK BOARD (QTY 4)
NS	0163M00129	SCREW HH2 .31x1.52 (M3, M4)
NS	0163M00005P	WASHER, BLACK (.50 OD .218ID) (M1, M2, M5,

Expanded Model Nomenclature

M1 - DRC0603DDDCAA
M2 - DRC0603WDDCAA
M3 - DRC0604DDDCAA
M4 - DRC0604WDDCAA
M5 - DRC0607DDDCAA
M6 - DRC0607WDDCAA

PARTITION ASSEMBLY



PARTITION ASSEMBLY

Ref. Part No:	No:	Description:	Ref. Part No:	No:	Description:
---------------	-----	--------------	---------------	-----	--------------

Image 1:

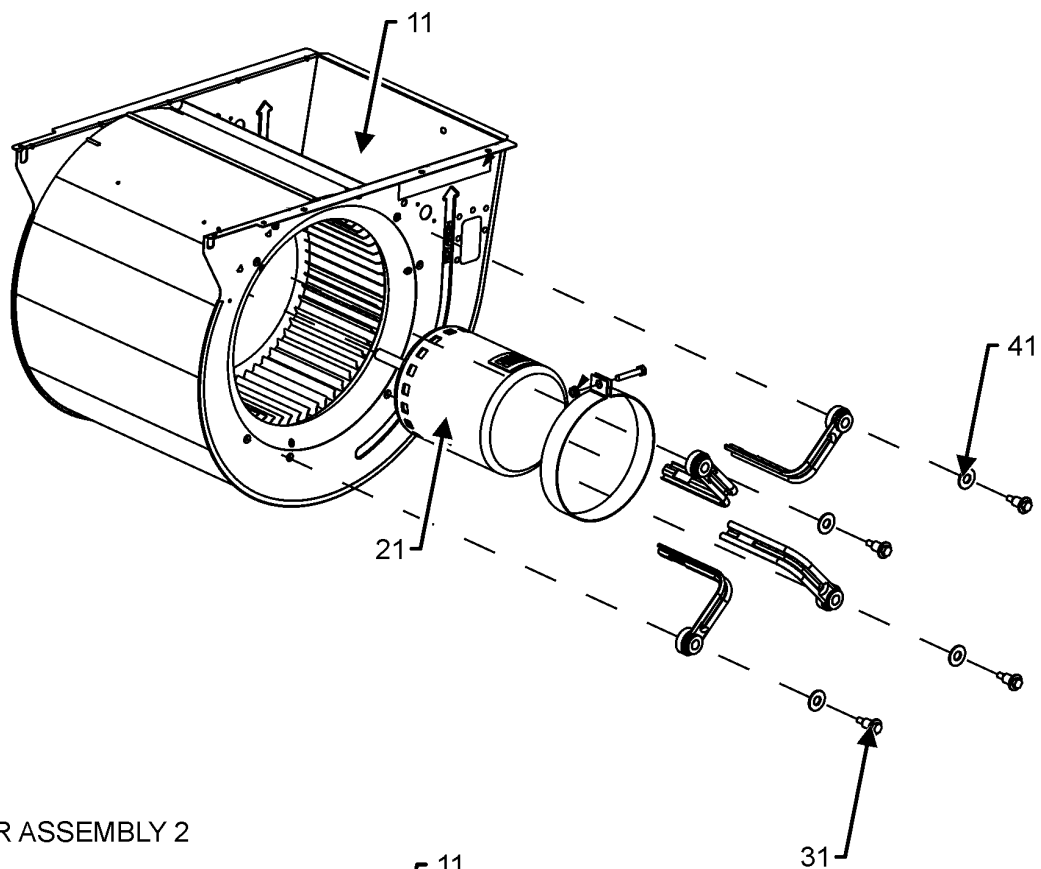
11	0121L02584	BLOWER DECK SIDE
21	0121L04271	PANEL, BLOWER DECK
31	0121L04004	HEAT KIT BOX
41	0121L00144	COVER-ELECTRIC HEAT
61	0121L01709	BLOWER DECK PLATE
91	B1392147	UNIVERSIAL BUSHING WITH SLICE (QTY 2)
121	0121L00321	COVER-SMOKE DETECTOR (QTY 2)
271	0121L02633	BLOWER DECK U-BRACKET
331	0121L01628	DRAINPAN SUPPORT
341	0161L00007	DRAIN PAN, EVAPORATOR 3-5 TON
351	0163L00071	PLUG, DRAIN
371	0154L00180	GASKET, DRAIN PAN
401	0121L02698SB	PAINTED SIDE POST
481	0121L01625SB	PAINTED CORNER POST (QTY 2)
491	0121L03445SB	PAINTED, SIDE POST
501	0130F00647	PRESSURE SWITCH
601	0130L00228	DUCT TEMP SENSOR
701	0130M00668	TRANSFORMER (M5, M6)
NS	0160L00173	AIR FILTER 14X20X2 (QTY 2)
NS	A4568804	GROMMET-D
NS	0164G00005	GROMMET-HORSESHOW 1.675
NS	0121L02260	OD COIL BLOCKOFF ANGLE
NS	0121L03515	RETAINER - ELECTRIC HEAT

Expanded Model Nomenclature

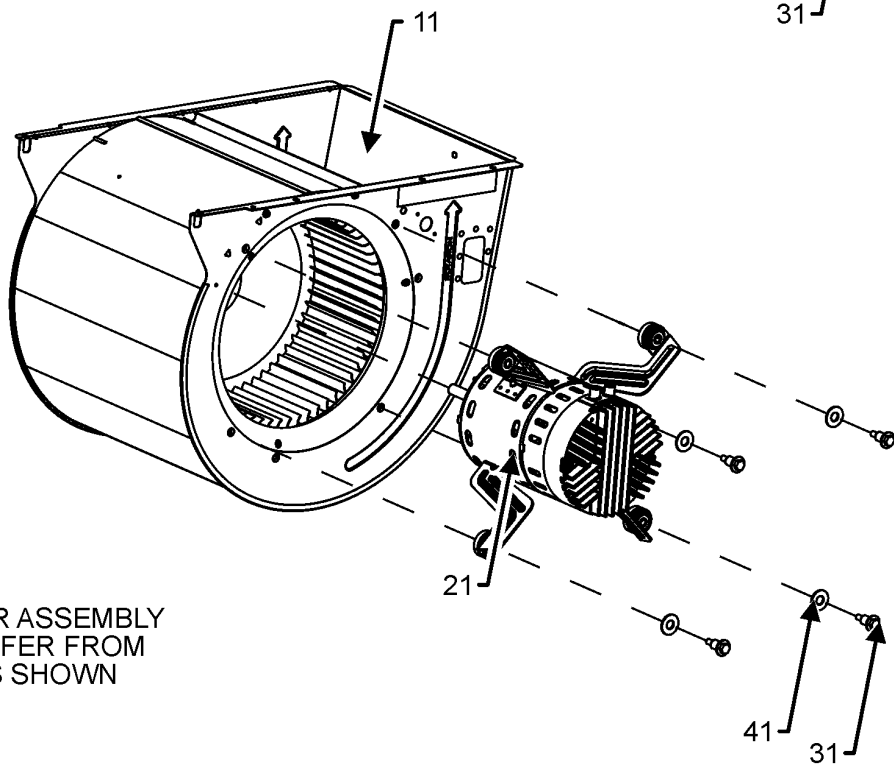
M1 - DRC0603DDDCAA
M2 - DRC0603WDDCAA
M3 - DRC0604DDDCAA
M4 - DRC0604WDDCAA
M5 - DRC0607DDDCAA
M6 - DRC0607WDDCAA

BLOWER ASSEMBLY

BLOWER ASSEMBLY 1



BLOWER ASSEMBLY 2



BLOWER ASSEMBLY
MAY DIFFER FROM
WHAT IS SHOWN

BLOWER ASSEMBLY

Ref. Part No:	No:	Description:	Ref. Part No:	No:	Description:
---------------	-----	--------------	---------------	-----	--------------

Image 1:

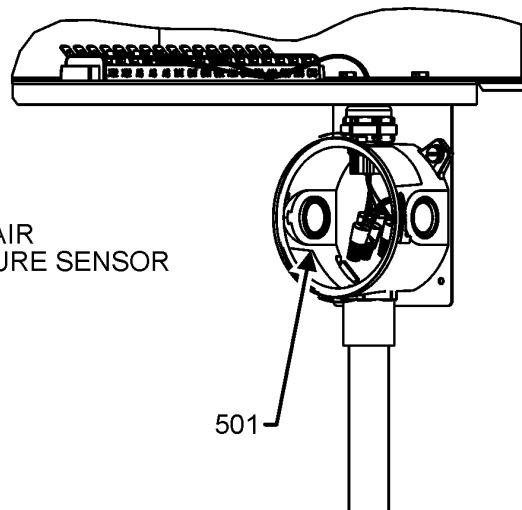
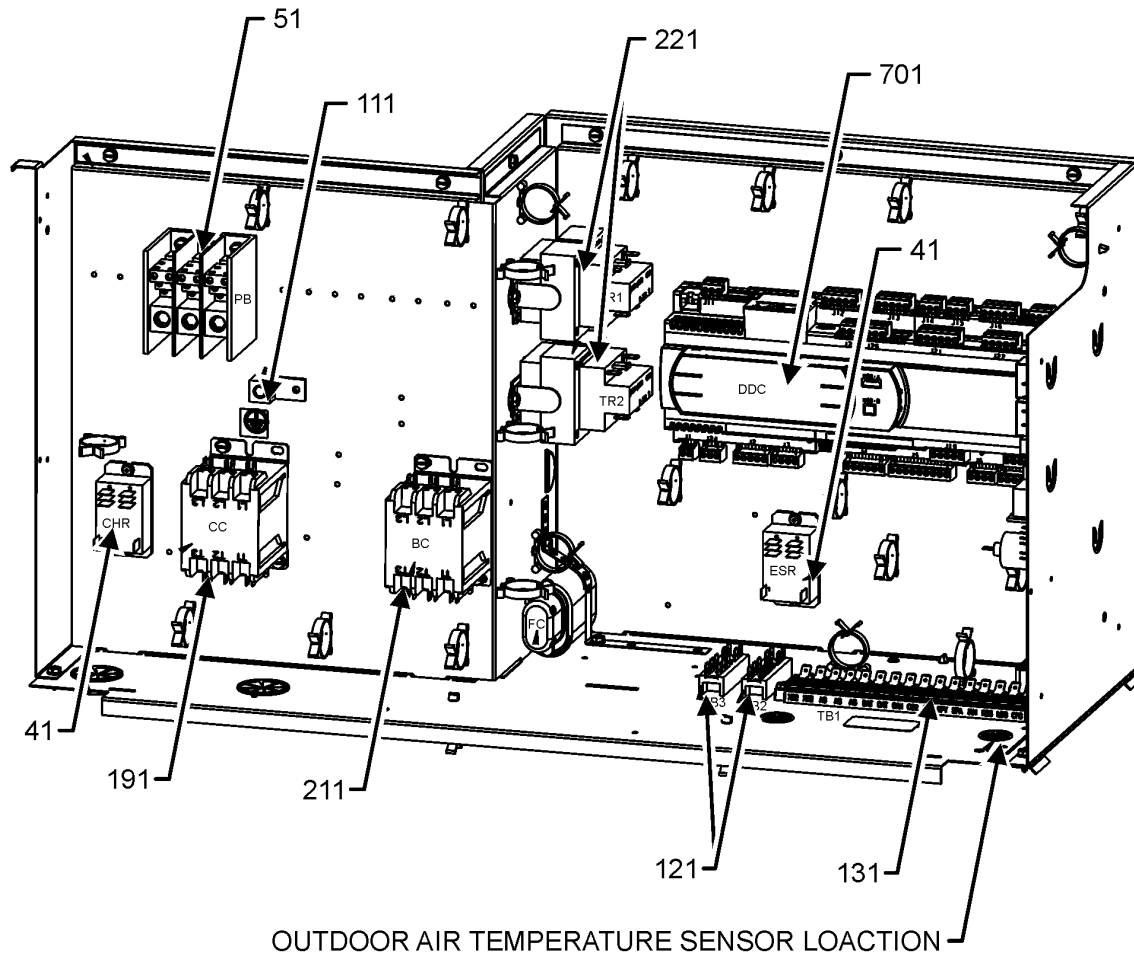
11	0271L00137	ASSY., BLOWER HOUSING
21	0131M00876	ID MOTOR (M2)
21	0131M00877	ID MOTOR (M4)
21	0131M00878	ID MOTOR (M6)
31	M0250565	SCREW-TC 1.25" (QTY 4)
41	B1392918	WASHER, FLAT 1/4 ID X 1 OD (QTY 4)
NS	0131M00948	ID MOTOR (M1)
NS	0131M00949	ID MOTOR (M3)
NS	0131M00950	ID MOTOR (M5)

Expanded Model Nomenclature

- M1 - DRC0603DDDCAA
- M2 - DRC0603WDDCAA
- M3 - DRC0604DDDCAA
- M4 - DRC0604WDDCAA
- M5 - DRC0607DDDCAA
- M6 - DRC0607WDDCAA

CONTROL BOX ASSEMBLY

CONTROL BOX ASSEMBLY



CONTROL BOX ASSEMBLY MAY DIFFER FROM WHAT IS SHOWN

CONTROL BOX ASSEMBLY

Ref. Part No:	Ref. Part No:	Description:	Description:
---------------	---------------	--------------	--------------

Image 1:

41	0130M00178	DPDT RELAY 24 VAC
51	0130M00509	BLOCK POWER
111	0130L00005	GROUND LUG
121	802007090	TERM BOARD (QTY 2)
131	0130M00415	TERMINAL BOARD
191	CONT3P025024V	CONT, 3 POLE, 25 AMP, 24 VAC (M3, M4, M5, M6)
191	CONT3P030024V	CONT, 3 POLE, 30 AMP, 24 VAC (M1, M2)
211	CONT3P025024V	CONT, 3 POLE, 25 AMP, 24 VAC
221	0130M00598	TRANSFMR, 75VA, 575V TO 24V (M5, M6)
221	0130M00594	TRANSFORMER (M1, M2)
221	0130M00595	TRANSFORMER, 75VA, 480V TO 24V (M3, M4)
501	0130L00227	OUTDOOR AIR TEMP SENSOR
701	0130M00579	DDC CONTROLLER 39IO
NS	0130L00164	CLASS CC FUSE 5A (M5, M6)
NS	BDG-ILINQA	DAIKIN ILINQ BACNET DES GUIDE
NS	QSG-ILINQA	DAIKIN ILINQ QUICK START GUIDE
NS	UM-ILINQA	DAIKIN ILINQ USER MANUAL
NS	B1393726	ELECT CONNECTING BUSHING (M5, M6)
NS	0130M00670	FUSE BLOCK CLASS CC (M5, M6)
NS	0130L00252	PROGRAM APP CONTROLLER DDC
NS	0130L00226	SPACE TEMPERATURE SENSOR (M1, M3, M5)
NS	20520901	STRAP-CAPACITOR (QTY 2)

Expanded Model Nomenclature

- | |
|--------------------|
| M1 - DRC0603DDDCAA |
| M2 - DRC0603WDDCAA |
| M3 - DRC0604DDDCAA |
| M4 - DRC0604WDDCAA |
| M5 - DRC0607DDDCAA |
| M6 - DRC0607WDDCAA |

ACCESSORY PARTS LIST

NOTE: NOT ALL OPTIONS AVAILABLE FOR ALL PRODUCTS

FOR ACCESSORY PARTS SEE THE FOLLOWING PART MANUAL

RP-FIOPSC*

RP-EHS[D/B]SC*

RP-EHX[D/B]SC*

ACCESSORY PARTS

Ref. Part No:	No:	Description:	Ref. Part No:	No:	Description:
---------------	-----	--------------	---------------	-----	--------------

Image 1:

NS	RP-FIOPSC*	ACCESSORY RP MANUAL
NS	RP-EHS(D/B)SC*	HEATER KIT RP MANUAL
NS	RP-EHX(D/B)SC*	HEATER KIT RP MANUAL

Expanded Model Nomenclature

- M1 - DRC0603DDDCAA
- M2 - DRC0603WDDCAA
- M3 - DRC0604DDDCAA
- M4 - DRC0604WDDCAA
- M5 - DRC0607DDDCAA
- M6 - DRC0607WDDCAA