

DRC 3 Ton Hot Gas Reheat Light Commercial Cooling Unit

DRC0363DHGAA
DRC0363WHGAA
DRC0364DHGAA
DRC0364WHGAA
DRC0367DHGAA
DRC0367WHGAA



This manual is to be used by qualified technicians only.

Important Information

Index

| | |
|------------------------------|--------|
| Functional Parts List | 3 |
| Illustration and Parts | 4 - 15 |

Views shown are for parts illustrations only, not servicing procedures

Text Codes:

AR - As Required

NA - Not Available

NS - Not Shown

00000000 - See Note

QTY - Quantity Example (QTY 3) (If Quantity not shown, Quantity = 1)

M - Model Example (M1) (If M Code not shown, then part is used on all Models)

Expanded Model Nomenclature:

| |
|---|
| Example M1 - Model#1 M2 - Model#2 M3 - Model#3 |
|---|

Daikin Company, L.P. is not responsible for personal injury or property damage resulting from improper service. Review all service information before beginning repairs.

Warranty service must be performed by an authorized technician, using authorized factory parts. If service is required after the warranty expires, Daikin Company, L.P. also recommends contacting an authorized technician and using authorized factory parts.

Daikin Company, L.P. reserves the right to discontinue, or change at any time, specifications or designs without notice or without incurring obligations.

For assistance within the U.S.A. contact:

Equipment Support
Daikin North America, LLC
19001 Kermier Road
Waller, Texas 77484
855-770-5678-Telephone
713-863-2382-Facsimile

For assistance outside the U.S.A. contact:

International Division
Daikin North America, LLC
19001 Kermier Road
Waller, Texas 77484
713-861-2500-Telephone
713-863-2382-Facsimile

Functional Parts

Part

No: Description:

| | |
|----------------|---------------------------------------|
| 10625733 | BLADE-FAN 22" ALUM CCW |
| CAP050000370LA | CAP, 5 MFD/370V/OVAL (M1, M2) |
| CAP030000440LA | CAPACITOR (M5, M6) |
| CAP040000370VA | CAPACITOR (M3, M4) |
| 0151L00060 | CHECK VALVE |
| ZPS30K5ETF5130 | COMPRESSOR (M1, M2) |
| ZPS30K5ETFD130 | COMPRESSOR (M3, M4) |
| ZPS30K5ETFE130 | COMPRESSOR (M5, M6) |
| CONT3P025024V | CONT, 3 POLE, 25 AMP, 24 VAC |
| CONT3P030024V | CONT, 3 POLE, 30 AMP, 24 VAC (M1, M2) |
| 0130M00580 | DDC CONTROLLER 51IO |
| 0130M00581 | DDC CONTROLLER EVD |
| 0130M00178 | DPDT RELAY 24VAC |
| 0130L00228 | DUCT TEMP SENSOR |
| 0251L00009 | EXPANSION VALVE ASSY |
| 0130M00583 | FREEZE STAT |
| 0130M00280 | HIGH PRESSURE SWITCH |
| 0131M00950 | ID MOTOR (M5, M6) |
| 0131M00949 | ID MOTOR (M3, M4) |
| 0131M00948 | ID MOTOR (M1, M2) |
| 0130M00087 | LOW PRESSURE SWITCH |
| 0131M00962 | MOTOR 1/6H.P., 1SP, 8PL (M3, M4) |
| 0131M00963 | MOTOR 1/6H.P., 1SP, 8PL (M5, M6) |
| 0131M00964 | MOTOR 1/6H.P., 1SP, 8PL (M1, M2) |
| 0130L00227 | OUTDOOR AIR TEMP SENSOR |
| 0130F00647 | PRESSURE SWITCH |
| 0130L00252 | PROGRAM, APP, CONTROLLER, DDC |
| 0151L00022 | REHEAT VALVE |
| 0130L00163 | SENSOR, DISCHARGE PRESSURE |
| 0130L00162 | SENSOR, SUCTION PRESSURE |
| 0130M00444 | SOLID STATE RELAY |
| 0130L00224 | SPACE TEMPERATURE SENSOR |
| 0130L00206 | TRANSFORMER (M3, M4) |
| 0130L00207 | TRANSFORMER (M5, M6) |
| 0130L00205 | TRANSFORMER (M1, M2) |
| 0251L00001 | VALVE, SOLENOID PURGE |

SPECIAL PARTS

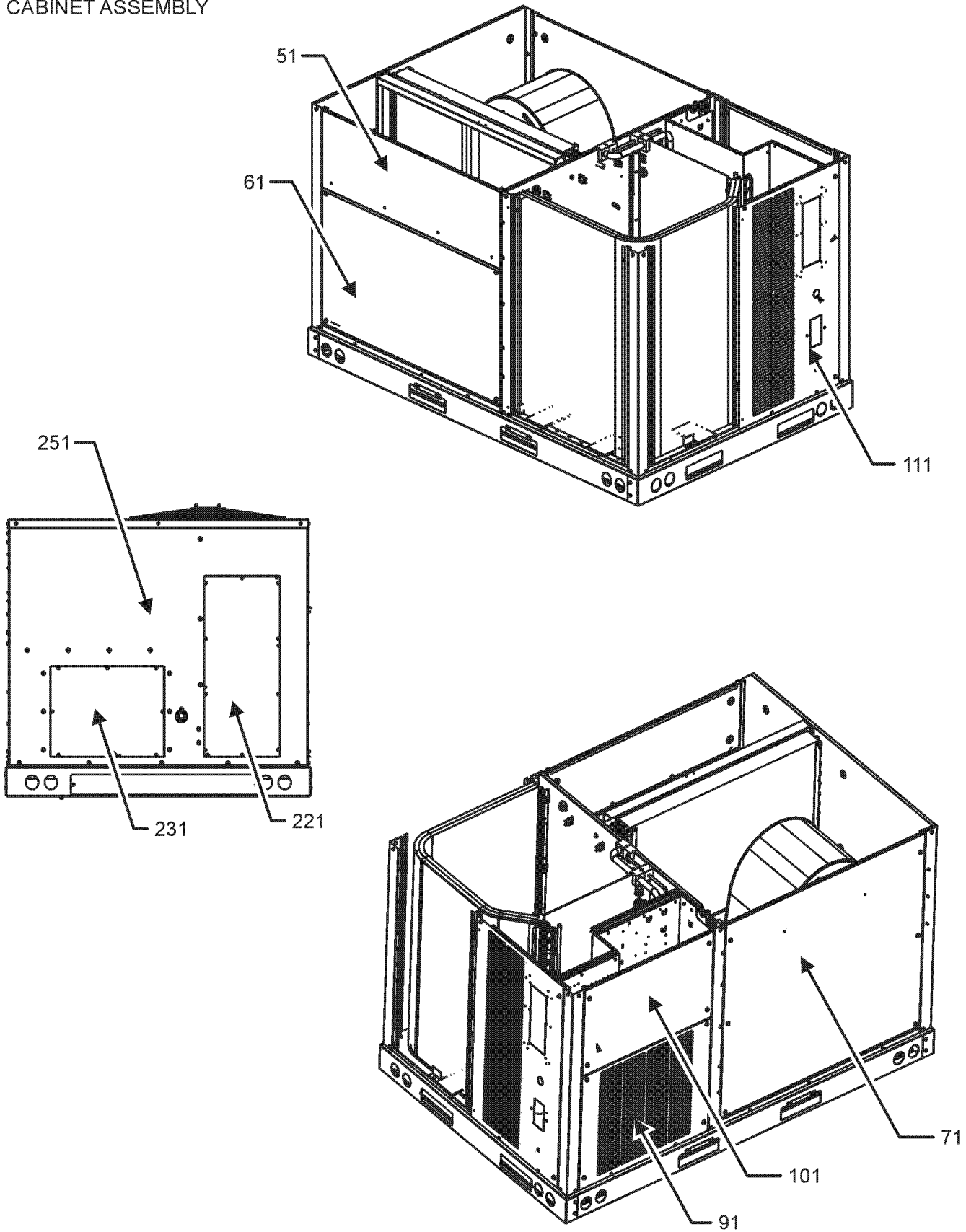
| | |
|----------------|--------------------------------|
| RP-FIOPSC* | ACCESSORY RP MANUAL |
| BDG-ILINQA | DAIKIN ILINQ BACNET DES GUIDE |
| QSG-ILINQA | DAIKIN ILINQ QUICK START GUIDE |
| UM-ILINQA | DAIKIN ILINQ USER MANUAL |
| RP-EHS(D/B)SC* | HEATER KIT RP MANUAL |
| RP-EHX(D/B)SC* | HEATER KIT RP MANUAL |

Expanded Model Nomenclature

| |
|--------------------|
| M1 - DRC0363DHGRAA |
| M2 - DRC0363WHGRAA |
| M3 - DRC0364DHGRAA |
| M4 - DRC0364WHGRAA |
| M5 - DRC0367DHGRAA |
| M6 - DRC0367WHGRAA |

CABINET ASSEMBLY

CABINET ASSEMBLY



CABINET ASSEMBLY

| Ref. Part No: | No: | Description: | Ref. Part No: | No: | Description: |
|---------------|-----|--------------|---------------|-----|--------------|
|---------------|-----|--------------|---------------|-----|--------------|

Image 1:

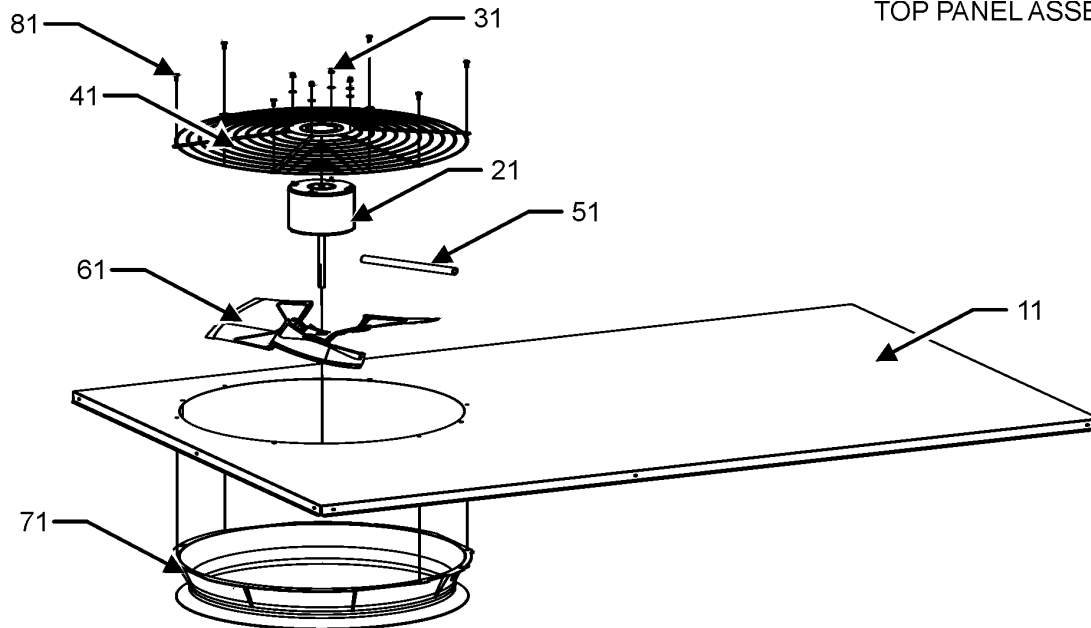
| | | |
|-----|--------------|--------------------------------|
| 51 | 0121L01734SB | PAINTED FILTER PANEL |
| 61 | 0121L01651SB | PAINTED ECONOMIZER PANEL |
| 71 | 0121L02261SB | PAINTED BLOWER PANEL |
| 91 | 0121L02263SB | PAINTED COMPRESSOR PANEL |
| 101 | 0121L02262SB | PAINTED CONTROL BOX PANEL |
| 111 | 0121L03642SB | PAINTED, COMPRESSOR BACK PANEL |
| 221 | 0121L02910SB | PAINTED COVER-DUCT RETURN |
| 231 | 0121L02911SB | PAINTED COVER-DUCT SUPPLY |
| 251 | 0121L03336SB | PAINTED BACK PANEL |

Expanded Model Nomenclature

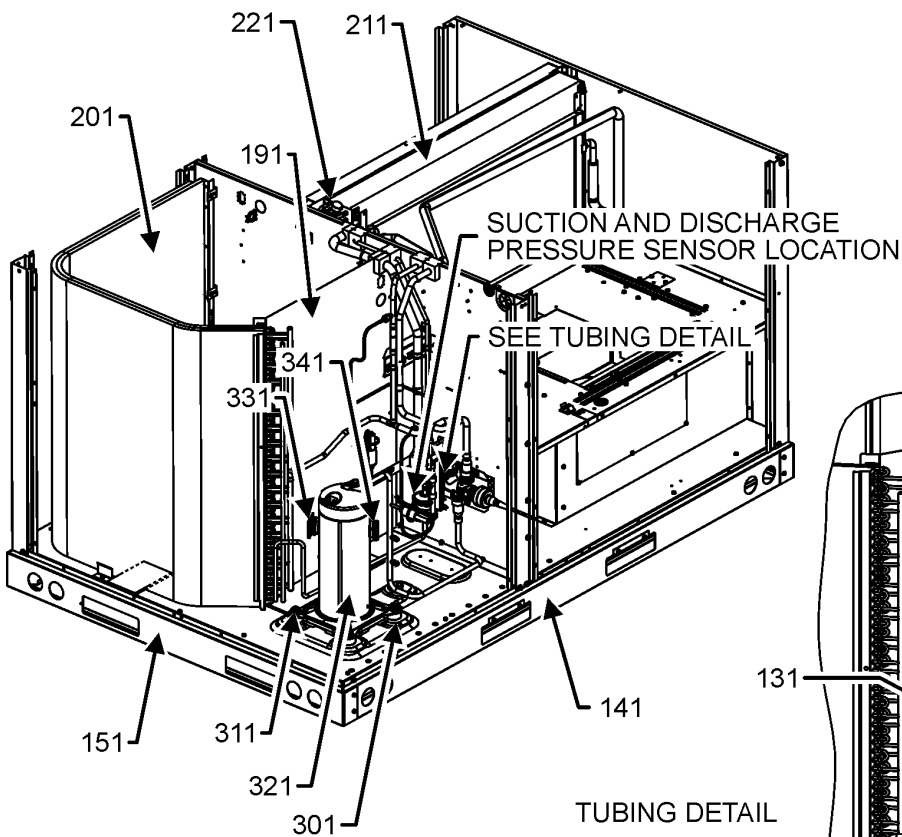
| |
|--------------------|
| M1 - DRC0363DHGRAA |
| M2 - DRC0363WHGRAA |
| M3 - DRC0364DHGRAA |
| M4 - DRC0364WHGRAA |
| M5 - DRC0367DHGRAA |
| M6 - DRC0367WHGRAA |

TOP PANEL AND TUBING ASSEMBLY

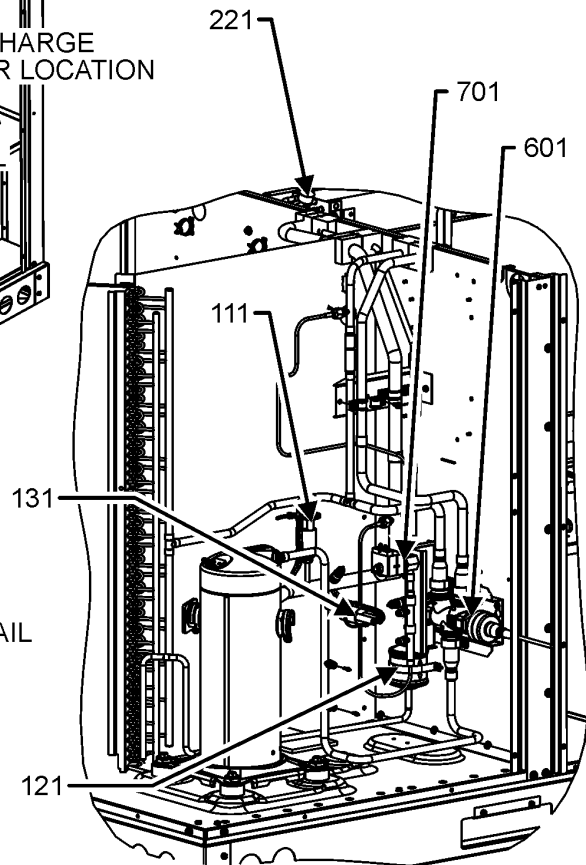
TOP PANEL ASSEMBLY



TUBING ASSEMBLY



TUBING DETAIL



TUBING ASSEMBLY MAY DIFFER FROM WHAT IS SHOWN

TOP PANEL AND TUBING ASSEMBLY

| Ref. Part No: No: | Description: | Ref. Part No: No: | Description: |
|-------------------|--------------|-------------------|--------------|
|-------------------|--------------|-------------------|--------------|

Image 1:

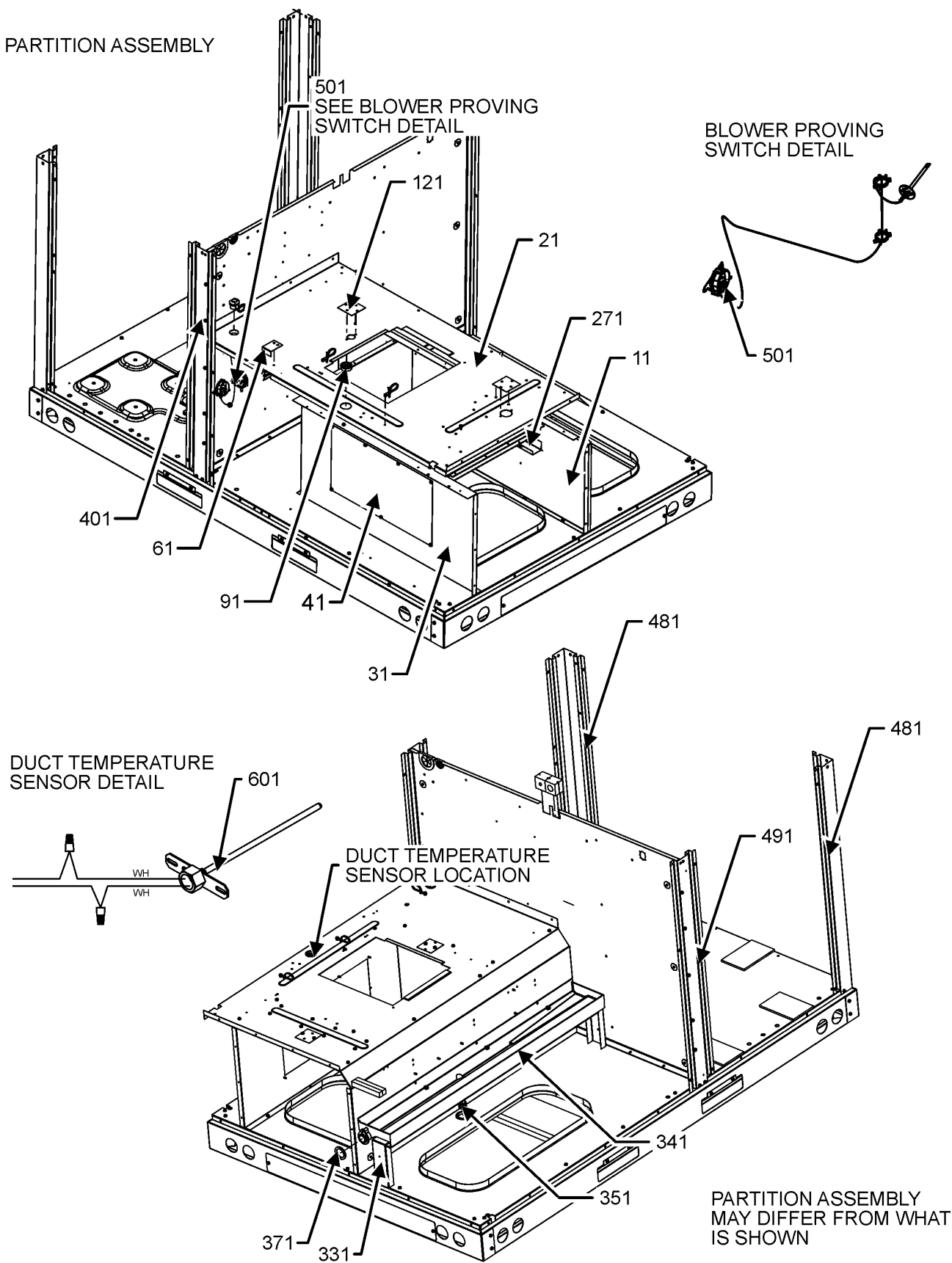
| | | |
|-----|----------------|---------------------------------------|
| 11 | 0121L01626SB | PAINTED, TOP PANEL |
| 21 | 0131M00962 | MOTOR 1/6H.P., 1SP, 8PL (M3, M4) |
| 21 | 0131M00963 | MOTOR 1/6H.P., 1SP, 8PL (M5, M6) |
| 21 | 0131M00964 | MOTOR 1/6H.P., 1SP, 8PL (M1, M2) |
| 31 | 0163M00006P | ACORN NUT 5/16 HEX BLACK (QTY 4) |
| 41 | 0152G00000 | FAN GRILLE, RAISED |
| 51 | 0161R00003P | CONDUIT |
| 61 | 10625733 | BLADE-FAN 22" ALUM CCW |
| 71 | 0161L00000 | RING VENTURI 22 |
| 81 | 0163M00004 | SCREW #10X3/4", BLACK (QTY 8) |
| 111 | 0130M00087 | LOW PRESSURE SWITCH |
| 121 | 0162R00056 | FILTER/DRIER-BI-FLOW |
| 131 | 0130M00280 | HIGH PRESSURE SWITCH |
| 141 | 0121L01620 | SMALL SIDE RAIL (QTY 2) |
| 151 | 0121L01621 | SMALL END RAIL (QTY 2) |
| 191 | 0121L02003 | OD COIL BLOCKOFF |
| 201 | 0201L00331 | OD COIL ASSY |
| 211 | 0202L00193 | ASSY, ID, COIL, TUBING |
| 221 | 0130M00583 | FREEZE STAT |
| 301 | B1339533 | COMPRESSOR GROMMET (QTY 4) |
| 311 | B1393740 | COMP. BOLT & SLEEVE (QTY 4) |
| 321 | ZPS30K5ETF5130 | COMPRESSOR (M1, M2) |
| 321 | ZPS30K5ETFD130 | COMPRESSOR (M3, M4) |
| 321 | ZPS30K5ETFE130 | COMPRESSOR (M5, M6) |
| 331 | 0159L00065 | HARNESS, COMP SCROLL |
| 341 | 0159G00010 | CABLE, COMPR SCROLL |
| 601 | 0151L00022 | REHEAT VALVE |
| 701 | 0251L00001 | VALVE, SOLENOID PURGE |
| NS | 0201L00710 | ASSY., CONDENSER COIL REHEAT |
| NS | 0141L00003X | BOARD-FORK (QTY 2) |
| NS | 0151L00060 | CHECK VALVE |
| NS | 0251L00009 | EXPANSION VALVE ASSY |
| NS | 0121L03516 | PNL, BRACKET, FORK BOARD (QTY 4) |
| NS | 0130L00163 | SENSOR, DISCHARGE PRESSURE |
| NS | 0130L00162 | SENSOR, SUCTION PRESSURE |
| NS | 0163M00005P | WASHER, BLACK (.50 OD .218ID) (QTY 4) |

Expanded Model Nomenclature

- | |
|--------------------|
| M1 - DRC0363DHGRAA |
| M2 - DRC0363WHGRAA |
| M3 - DRC0364DHGRAA |
| M4 - DRC0364WHGRAA |
| M5 - DRC0367DHGRAA |
| M6 - DRC0367WHGRAA |

PARTITION ASSEMBLY

PARTITION ASSEMBLY



PARTITION ASSEMBLY

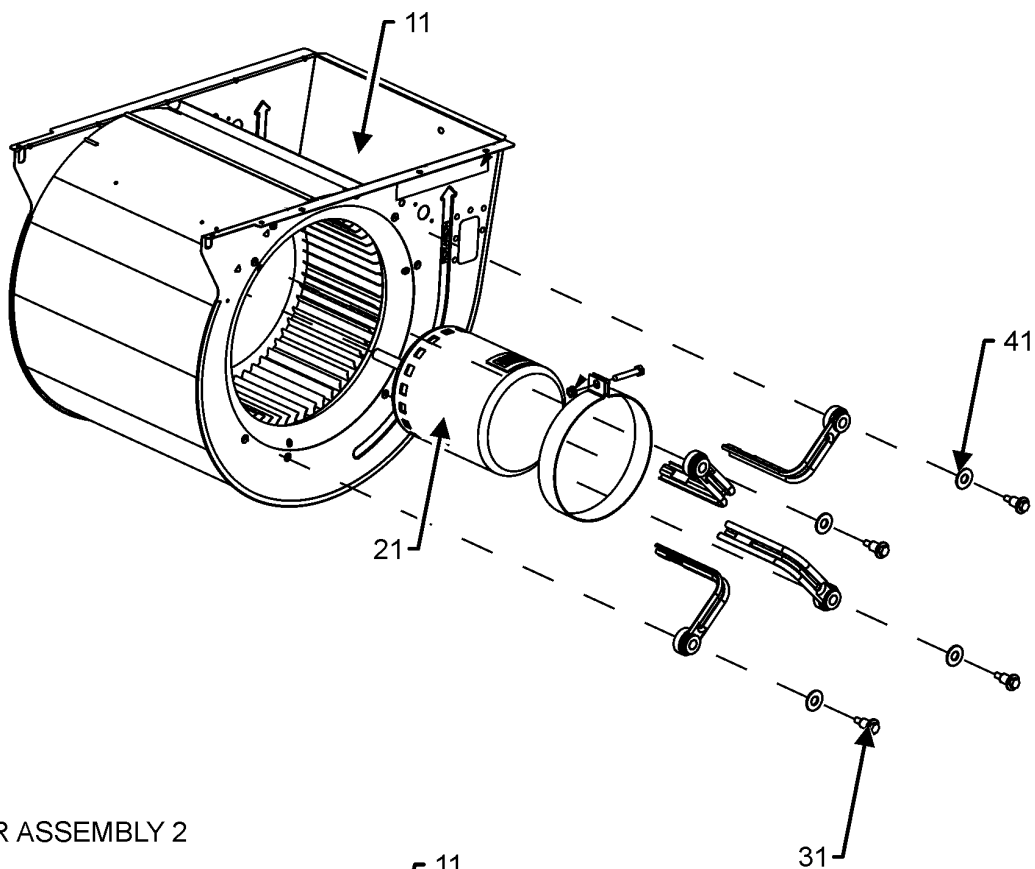
| Ref. Part No: | Ref. Part No: | Description: | Description: |
|-----------------|---------------|-------------------------------|--------------|
| Image 1: | | | |
| 11 | 0121L02584 | BLOWER DECK SIDE | |
| 21 | 0121L04271 | PANEL, BLOWER DECK | |
| 31 | 0121L04004 | HEAT KIT BOX | |
| 41 | 0121L00144 | COVER-ELECTRIC HEAT | |
| 61 | 0121L01709 | BLOWER DECK PLATE | |
| 91 | B1392147 | UNIVERSIAL BUSHING WITH SLICE | |
| 121 | 0121L00321 | COVER-SMOKE DETECTOR (QTY 2) | |
| 271 | 0121L02633 | BLOWER DECK U-BRACKET | |
| 331 | 0121L01729 | DRAIN PAN SUPPORT | |
| 341 | 0161L00007 | DRAIN PAN, EVAPORATOR 3-5 TON | |
| 351 | 0163L00071 | PLUG, DRAIN | |
| 371 | 0154L00180 | GASKET, DRAIN PAN | |
| 401 | 0121L03442SB | PAINTED, SIDE POST | |
| 481 | 0121L01728SB | PAINTED CORNER POST (QTY 2) | |
| 491 | 0121L02697SB | PAINTED SIDE POST | |
| 501 | 0130F00647 | PRESSURE SWITCH | |
| 601 | 0130L00228 | DUCT TEMP SENSOR | |
| NS | 0160L00173 | AIR FILTER 14X20X2 (QTY 4) | |
| NS | A4568804 | GROMMET-D | |
| NS | 0164G00005 | GROMMET-HORSESHOW 1.675 | |
| NS | 0121L01954 | OD COIL BLOCKOFF ANGLE | |
| NS | 0121L03515 | RETAINER - ELECTRIC HEAT | |

Expanded Model Nomenclature

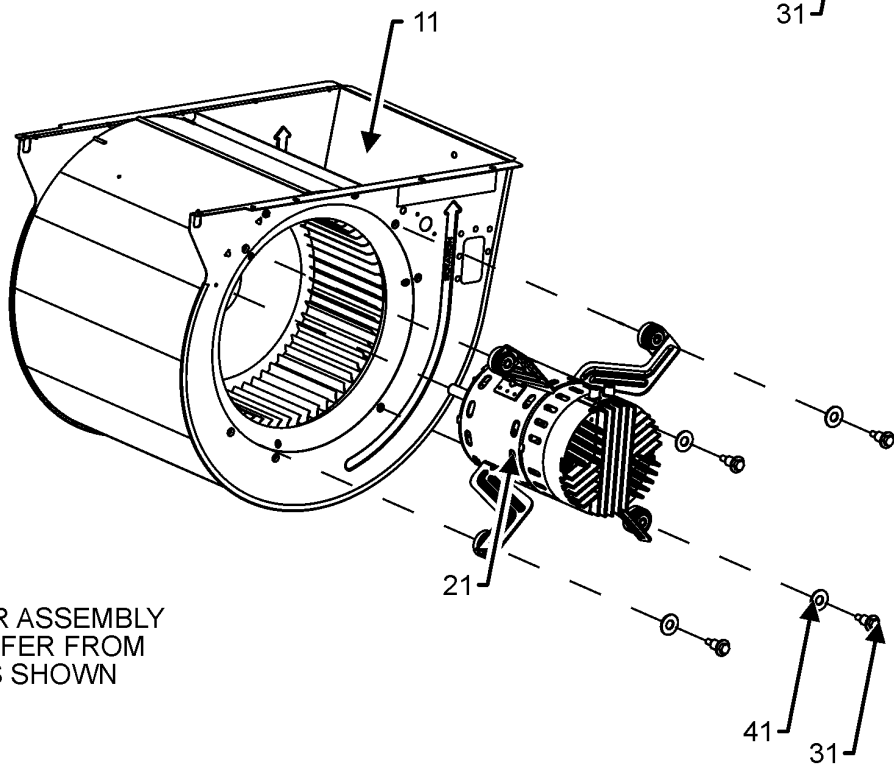
- | |
|--------------------|
| M1 - DRC0363DHGRAA |
| M2 - DRC0363WHGRAA |
| M3 - DRC0364DHGRAA |
| M4 - DRC0364WHGRAA |
| M5 - DRC0367DHGRAA |
| M6 - DRC0367WHGRAA |

BLOWER ASSEMBLY

BLOWER ASSEMBLY 1



BLOWER ASSEMBLY 2



BLOWER ASSEMBLY
MAY DIFFER FROM
WHAT IS SHOWN

BLOWER ASSEMBLY

| Ref. Part No: | No: | Description: | Ref. Part No: | No: | Description: |
|---------------|-----|--------------|---------------|-----|--------------|
|---------------|-----|--------------|---------------|-----|--------------|

Image 1:

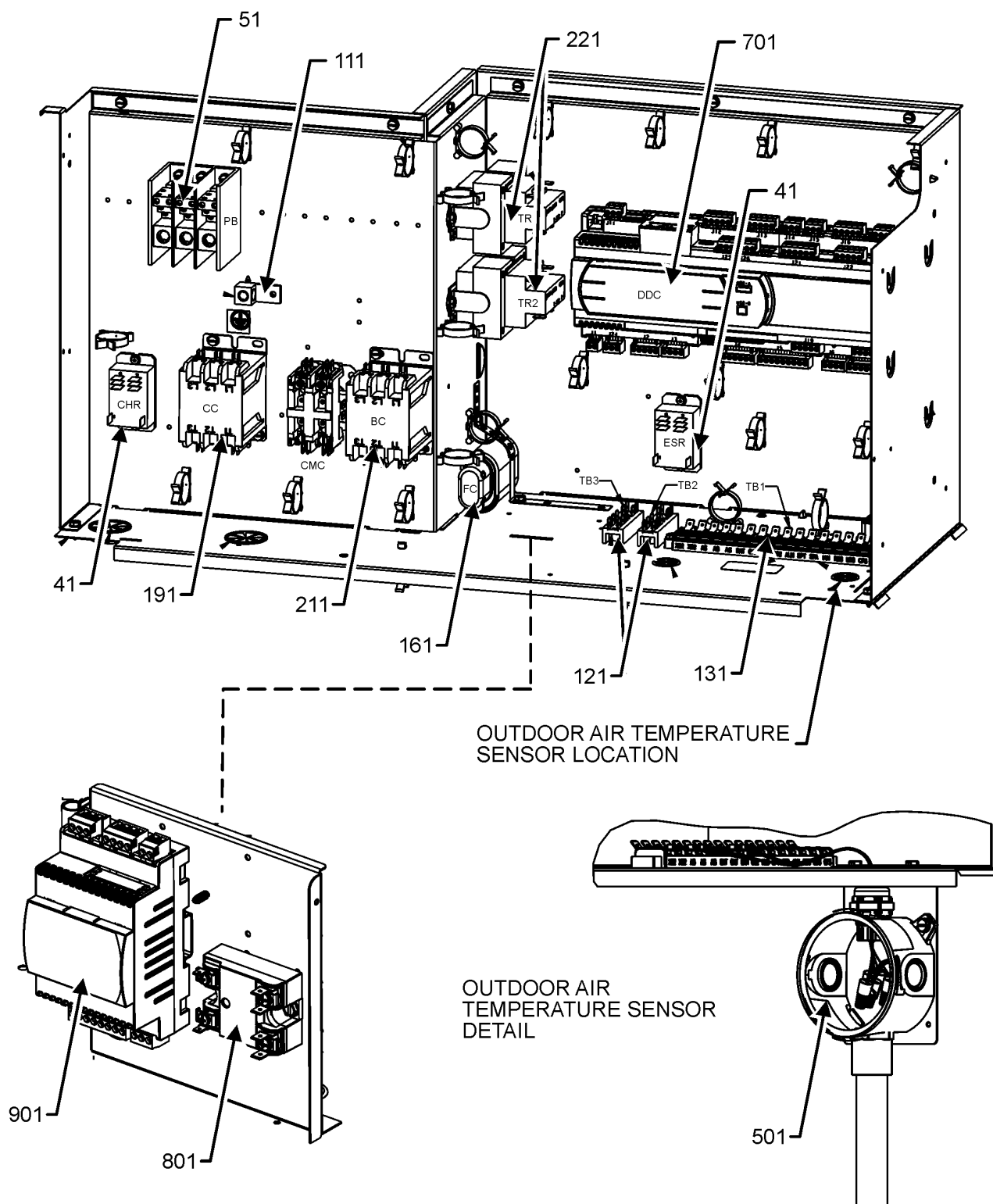
| | | |
|----|------------|------------------------------------|
| 11 | 0271L00137 | ASSY., BLOWER HOUSING |
| 21 | 0131M00948 | ID MOTOR (M1, M2) |
| 21 | 0131M00949 | ID MOTOR (M3, M4) |
| 21 | 0131M00950 | ID MOTOR (M5, M6) |
| 31 | M0250565 | SCREW-TC 1.25" (QTY 4) |
| 41 | B1392918 | WASHER, FLAT 1/4 ID X 1 OD (QTY 4) |

Expanded Model Nomenclature

- M1 - DRC0363DHGRAA
- M2 - DRC0363WHGRAA
- M3 - DRC0364DHGRAA
- M4 - DRC0364WHGRAA
- M5 - DRC0367DHGRAA
- M6 - DRC0367WHGRAA

CONTROL BOX ASSEMBLY

CONTROL BOX ASSEMBLY



CONTROL BOX ASSEMBLY MAY DIFFER FROM WHAT IS SHOWN

CONTROL BOX ASSEMBLY

| Ref. Part No: | Part No: | Description: | Ref. Part No: | Part No: | Description: |
|---------------|----------|--------------|---------------|----------|--------------|
|---------------|----------|--------------|---------------|----------|--------------|

Image 1:

| | | | | | |
|-----|----------------|---|--|--|--|
| 41 | 0130M00178 | DPDT RELAY 24 VAC | | | |
| 51 | 0130M00509 | BLOCK POWER | | | |
| 111 | 0130L00005 | GROUND LUG | | | |
| 121 | 802007090 | TERM BOARD (QTY 2) | | | |
| 131 | 0130M00415 | TERMINAL BOARD | | | |
| 161 | CAP050000370LA | CAP, 5 MFD/370V/OVAL (M1, M2) | | | |
| 161 | CAP030000440LA | CAPACITOR (M5, M6) | | | |
| 161 | CAP040000370VA | CAPACITOR (M3, M4) | | | |
| 191 | CONT3P025024V | CONT, 3 POLE, 25 AMP, 24 VAC (M3, M4, M5, M6) | | | |
| 191 | CONT3P030024V | CONT, 3 POLE, 30 AMP, 24 VAC (M1, M2) | | | |
| 211 | CONT3P025024V | CONT, 3 POLE, 25 AMP, 24 VAC | | | |
| 221 | 0130L00205 | TRANSFORMER (M1, M2) | | | |
| 221 | 0130L00206 | TRANSFORMER (M3, M4) | | | |
| 221 | 0130L00207 | TRANSFORMER (M5, M6) | | | |
| 501 | 0130L00227 | OUTDOOR AIR TEMP SENSOR | | | |
| 701 | 0130M00580 | DDC CONTROLLER 5110 | | | |
| 801 | 0130M00444 | SOLID STATE RELAY | | | |
| 901 | 0130M00581 | DDC CONTROLLER EVD | | | |
| NS | B821700 | BOOT CAPACITOR | | | |
| NS | BDG-ILINQA | DAIKIN ILINQ BACNET DES GUIDE | | | |
| NS | QSG-ILINQA | DAIKIN ILINQ QUICK START GUIDE | | | |
| NS | UM-ILINQA | DAIKIN ILINQ USER MANUAL | | | |
| NS | 0130L00252 | PROGRAM, APP, CONTROLLER, DDC | | | |
| NS | 0130L00224 | SPACE TEMPERATURE SENSOR | | | |
| NS | 20520901 | STRAP-CAPACITOR | | | |

Expanded Model Nomenclature

| |
|--------------------|
| M1 - DRC0363DHGRAA |
| M2 - DRC0363WHGRAA |
| M3 - DRC0364DHGRAA |
| M4 - DRC0364WHGRAA |
| M5 - DRC0367DHGRAA |
| M6 - DRC0367WHGRAA |

ACCESSORY PARTS LIST

NOTE: NOT ALL OPTIONS AVAILABLE FOR ALL PRODUCTS

FOR ACCESSORY PARTS SEE THE FOLLOWING PART MANUAL

RP-FIOPSC*

RP-EHS[D/B]SC*

RP-EHX[D/B]SC*

ACCESSORY PARTS

| Ref. Part No: | Description: | Ref. Part No: | Description: |
|---------------|--------------|---------------|--------------|
|---------------|--------------|---------------|--------------|

Image 1:

| | | |
|----|----------------|----------------------|
| NS | RP-FIOPSC* | ACCESSORY RP MANUAL |
| NS | RP-EHS(D/B)SC* | HEATER KIT RP MANUAL |
| NS | RP-EH(D/B)SC* | HEATER KIT RP MANUAL |

Expanded Model Nomenclature

- M1 - DRC0363DHGRAA
- M2 - DRC0363WHGRAA
- M3 - DRC0364DHGRAA
- M4 - DRC0364WHGRAA
- M5 - DRC0367DHGRAA
- M6 - DRC0367WHGRAA