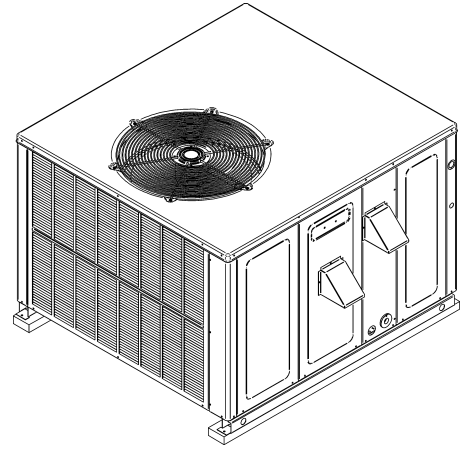


---

**DP16UM ULN Residential Package Gas Unit**

DP16UM3008041AA

DP16UM3608041AA



This manual is to be used by qualified technicians only.

# Important Information

---

## Index

Functional Parts List .....	3
Illustration and Parts .....	4 - 13

*Views shown are for parts illustrations only, not servicing procedures.*

### Text Codes:

AR - As Required

NA - Not Available

NS - Not Shown

00000000 - See Note

QTY - Quantity Example (QTY 3) (If Quantity not shown, Quantity = 1)

M - Model Example (M1) (If M Code not shown, then part is used on all Models)

### Expanded Model Nomenclature:

Example
M1 - Model#1
M2 - Model#2
M3 - Model#3

Daikin Manufacturing Company, L.P. is not responsible for personal injury or property damage resulting from improper service. Review all service information before beginning repairs.

Warranty service must be performed by an authorized technician, using authorized factory parts. If service is required after the warranty expires, Daikin Manufacturing Company, L.P. also recommends contacting an authorized technician and using authorized factory parts.

Daikin Manufacturing Company, L.P. reserves the right to discontinue, or change at any time, specifications or designs without notice or without incurring obligations.

For assistance within the U.S.A. contact:

Homeowner Support  
Daikin North America, LLC  
19001 Kermier Road  
Waller, Texas 77484  
855-770-5678-Telephone  
713-863-2382-Facsimile

For assistance outside the U.S.A. contact:

International Division  
Daikin North America, LLC  
19001 Kermier Road  
Waller, Texas 77484  
713-861-2500-Telephone  
713-863-2382-Facsimile

# Functional Parts

## Part

## No: Description:

---

0150G00003	BLADE, FAN 26 SWEPT WING (M2)
B1368000	BLOWER WHEEL (11 X 10) (M2)
0163G00016	BURNER ULN
CAP050400440CT	CAP, 5/40 MFD/440V/DUAL RD
ZPS30K5EPFV130	COMP,30000,208/230 (M2)
ZPS26K5EPFV130	COMPRESSOR, COPELAND (M1)
CONT1P030024V	CONT 1 POLE 30 AMP 24VAC
0150G00002	FAN BLADE SWP/W (M1)
0130F00762	FLAME SENSOR
0151M00094	GAS VALVE ULN
0130M00074	HIGH PRESSURE SWITCH
0130G00014	ID PLUG
0130M00684	IGNITION MODULE
0130M00722	IGNITOR ULN SPARK ELECTRODE
PCBBL216	INTERGRATED FURNACE CONTROLLER
10728342	LIMIT SWITCH
0131G00103	MOTOR PROGRAMMED (M1)
0131G00105	MOTOR PROGRAMMED (M2)
0131M00966	MOTOR VENT ID
0131M00836	MOTOR, 1/4HP,1SP,8PL,AL
0130G00024	SWITCH HIGH LIMIT ULN
B1370772	TIME DELAY ICM 180SEC DELA
0130M00685	TRANSDUCER PRESSURE SWITCH
0130M00138	TRANSFORMER 208/230 24V
D6723303	WHEEL-BLOWER (M1)

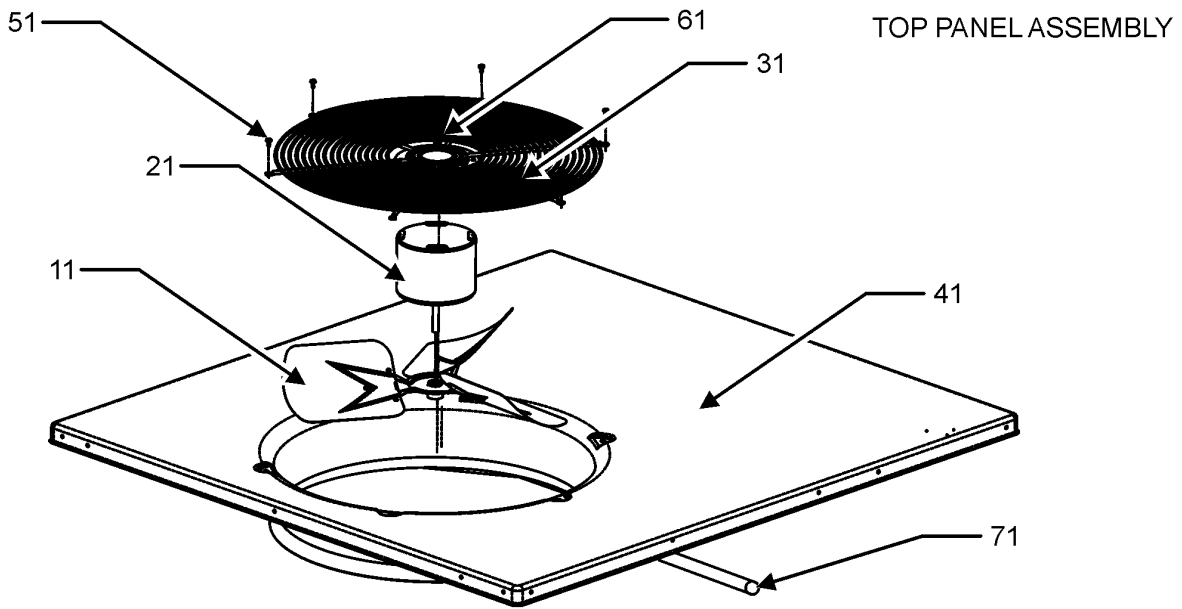
### SPECIAL PARTS

TP-109B	AL COIL-APPROVED CLEANING LIST
HID-3001C	HOMEOWNERS MANUAL
IOD-3021B	I & O MANUAL
PWDPKGETWLS	WARRENTY, PRODUCT

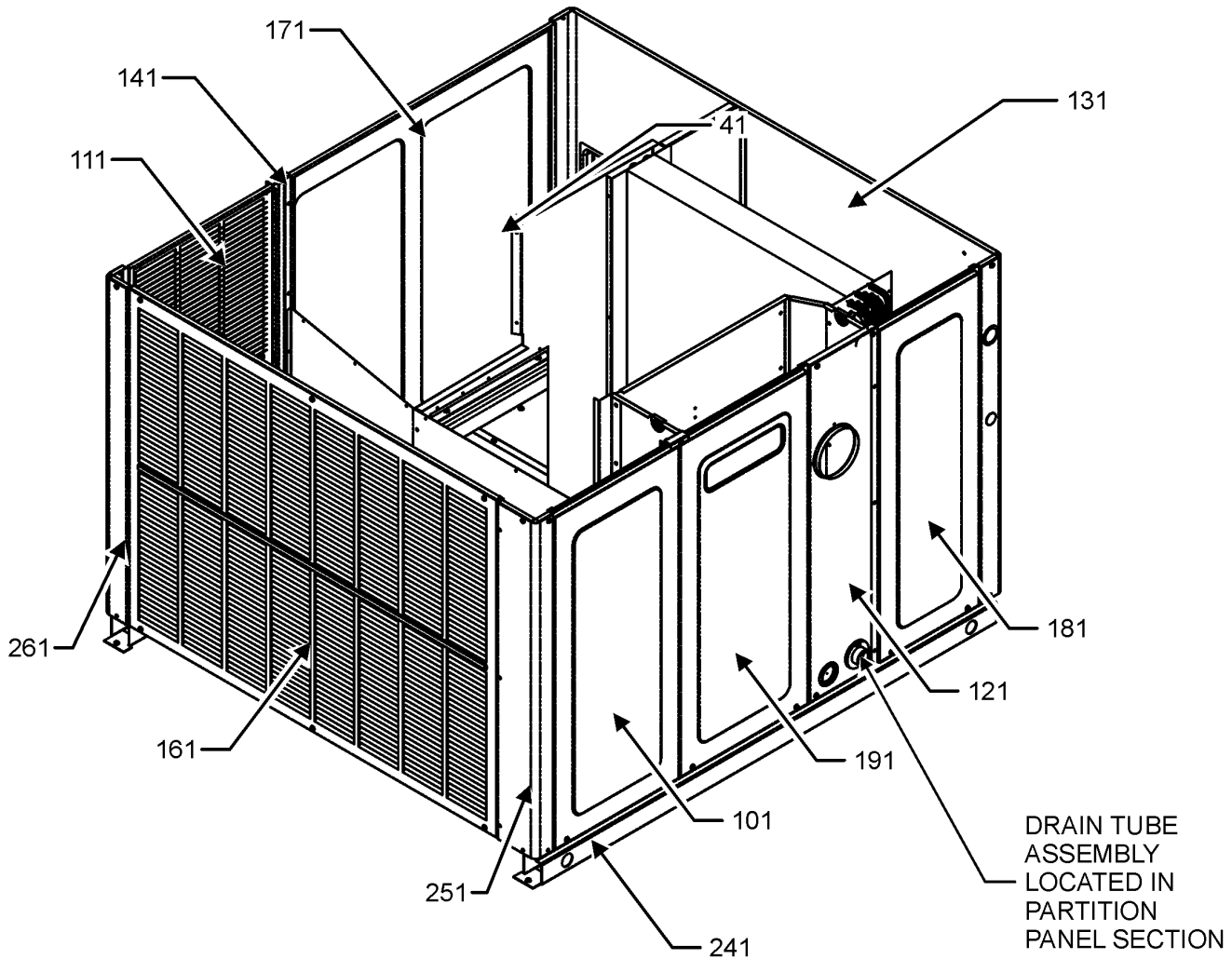
### Expanded Model Nomenclature

M1 - DP16UM3008041AA
M2 - DP16UM3608041AA

# Top Panel and Cabinet Assembly



## CABINET ASSEMBLY



# Top Panel and Cabinet Assembly

Ref. Part No:	Part No:	Description:	Ref. Part No:	Part No:	Description:
---------------	----------	--------------	---------------	----------	--------------

**Image 1:**

11	0150G00003	BLADE, FAN 26 SWEPT WING (M2)
11	0150G00002	FAN BLADE SWP/W (M1)
21	0131M00836	MOTOR, 1/4HP,1SP,8PL,AL
31	0152G00003	GRILLE-FAN
41	0121G00156NG	TOP PANEL
51	M0221817	SMALL SCREW (QTY 6)
61	0163M00006P	ACORN NUT 5/16 HEX BLACK (QTY 4)
71	0161G00016	CONDUIT PVC
101	20464804NG	DOOR-COMPRESSOR 38 (M1)
101	20464809NG	DOOR-COMPRESSOR 40 W/PAINT (M2)
111	0121G00465NG	PANEL-COND SIDE 32, PNT (M1)
111	20467702NG	PANEL-COND SIDE 40, PNT (M2)
121	20466101NG	UTILITY PANEL 32 W/PAINT (M1)
121	20466102NG	UTILITY PANEL 40 W/PAINT (M2)
131	0121G00802NG	PNL, DUCT, GAS 32.5" PNT (M1)
131	0121G00803NG	PNL, DUCT, GAS 40" PNT (M2)
141	0121G00460	POST-SUPPORT, SIDE (M1)
141	0121G00615	POST-SUPPORT, SIDE 40 (M2)
161	0121G00728NG	PANEL-COND LOUVERED 32 (M1)
161	0121G00729NG	PANEL-COND LOUVERED 40 (M2)
171	20464801NG	DOOR - BLOWER 32 W/PAINT (M1)
171	20464806NG	DOOR - BLOWER 40 W/PAINT (M2)
181	20464802NG	DOOR-EVAP/CONTROL 32 W/PAINT (M1)
181	20464807NG	DOOR-EVAP/CONTROL 40 W/PAINT (M2)
191	0121G00526NG	DOOR-HT EXCHANGE 32 (M1)
191	0121G00527NG	DOOR-HT EXCHANGE 38 (M2)
241	0121G00290	RAIL, BASEPAN, PKG (QTY 2)
251	0121G00453NG	CORNER-POST COMP END, PNT (M1)
251	20464202NG	CRNR POST-COMP END 40 W/PAINT (M2)
261	0121G00454NG	CORNER-POST HPIN END, PNT (M1)
261	0121G00456NG	CORNER-POST HPIN END, PNT (M2)
NS	TP-109B	AL COIL-APPROVED CLEANING LIST
NS	0270G00500	FLUE HOOD ASSY
NS	HID-3001C	HOMEOWNERS MANUAL
NS	IOD-3021B	I & O MANUAL
NS	PWDPKGETWLS	WARRENTY, PRODUCT

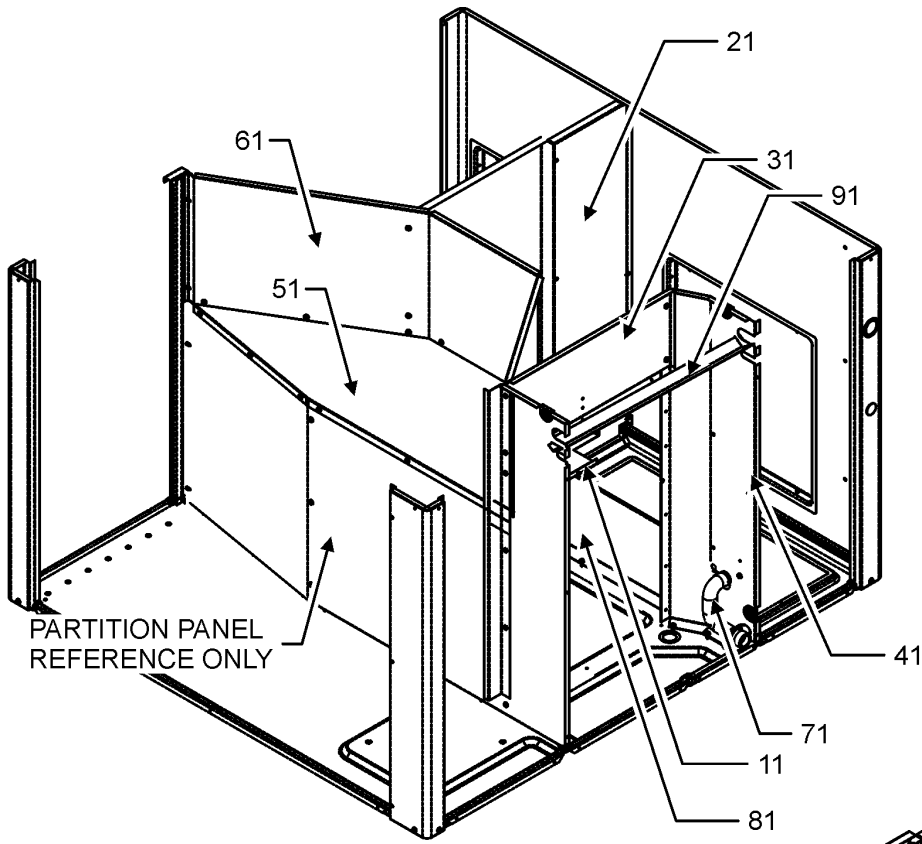
**Expanded Model Nomenclature**

M1 - DP16UM3008041AA

M2 - DP16UM3608041AA

# Partition and Tubing Assembly

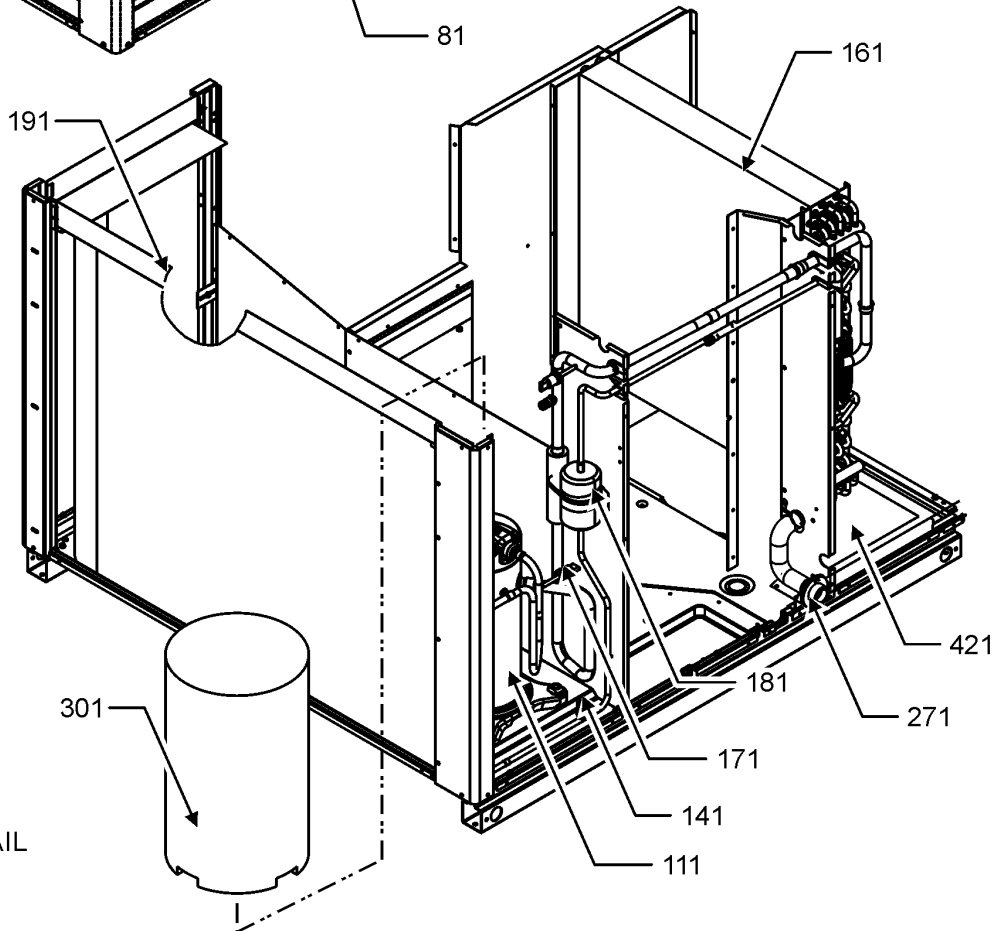
PARTITION ASSEMBLY



PARTITION PANEL  
REFERENCE ONLY

TUBING ASSEMBLY

TUBING ASSEMBLY  
MAY DIFFER FROM  
WHAT IS SHOWN



COMPRESSOR LEG DETAIL

# Partition and Tubing Assembly

Ref. Part No:	Part No:	Description:	Ref. Part No:	Part No:	Description:
<b>Image 1:</b>					
11	20472501	SHIELD-HT TUBES			
21	20465304	DIVIDER-BLOWER 32 10X9 (M1)			
21	20465302	DIVIDER-BLOWER 38 (M2)			
31	0121G00894	PANEL FILLER HT EXCH 32 (M1)			
31	0121G00895	PANEL FILLER HT EXCH 40 (M2)			
41	0121G00757	DIVIDER, EVAP/HT EXCH 32 (M1)			
41	0121G00758	DIVIDER, EVAP/HT EXCH 38 (M2)			
51	20465701	FAN PARTITION SHELF			
61	20465801	SURROUND-FAN 32 (M1)			
61	20465802	SURROUND-FAN 40 (M2)			
71	20498302	TUBE-DRAIN 32 (M1)			
71	20498301	TUBE-DRAIN 40 (M2)			
81	20463802	BLOCK-EVAP/BPAN 32 (M1)			
81	20463801	BLOCK-EVAP/BPAN 40 (M2)			
91	0121G00555	DRAIN CHANNEL, SUCTION TUBE			
111	ZPS30K5EPFV130	COMP,30000,208/230 (M2)			
111	ZPS26K5EPFV130	COMPRESSOR, COPELAND (M1)			
141	B1373315	ACCESS FITTING (QTY 2)			
161	0202G00727	COIL TUBING ASSY (M1)			
161	0202G00728	COIL TUBING ASSY (M2)			
171	0130M00074	HIGH PRESSURE SWITCH			
181	0162G00007	SINGLE-FLOW FILTER DRIER,STL (M2)			
181	0162G00008	SINGLE-FLOW FILTER DRIER,STL (M1)			
191	0201G00249	CONDENSER COIL ASSY (M1)			
191	0201G00460	CONDENSER COIL ASSY (M2)			
241	M0221641	SCREW-SHOULDER TF (QTY 4)			
251	B1339533	COMPRESSOR GROMMET (QTY 4)			
271	20513001	EVAP DRAIN FITTING			
301	0160M00039	COMPRESSOR BLANKET			
421	20464901DF	DRAIN PAN-EVAP COIL			
NS	0259G00293	BLOWER HARNESS,2STG,VSTB,ULN			
NS	0159G00001	CABLE COMP SCROLL			
NS	0163M00175	CAP WITH O-RING (QTY 2)			
NS	0164M00111	GROMMET D (QTY 4)			
NS	0164M00023	GROMMET HORSESHOE			
NS	20333401	GROMMET-HORSESHOE			
NS	20333501	GROMMET-HORSESHOE			
NS	20477501	GROMMET-HORSESHOE			
NS	0159G00005	HARNESS-COMP SCROLL (M1)			
NS	0159G00015	HARNESS-COMP SCROLL (M2)			
NS	0159G00015	HARNESS-COMP SCROLL (M2)			
NS	B1810011	HOSE CLAMP 1.25 (QTY 2)			

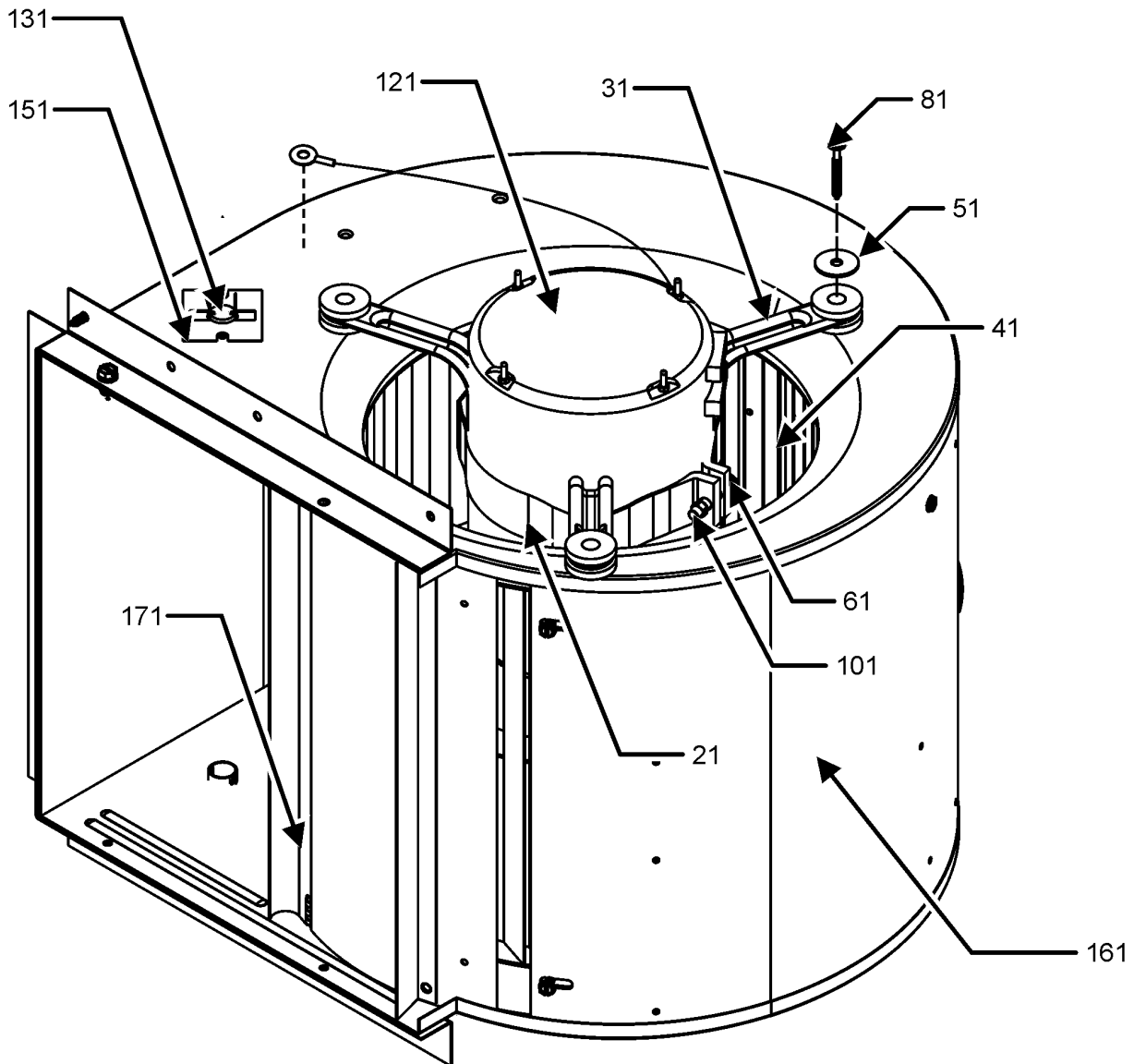
## Expanded Model Nomenclature

M1 - DP16UM3008041AA

M2 - DP16UM3608041AA

# Blower Assembly

BLOWER ASSEMBLY



BLOWER ASSEMBLY MAY DIFFER FROM WHAT IS SHOWN

# Blower Assembly

Ref. Part No:	No:	Description:	Ref. Part No:	No:	Description:
---------------	-----	--------------	---------------	-----	--------------

---

## Image 1:

21	0121M00038	MOTOR MOUNT BAND
31	B1376857	MOTOR MOUNT ARM (QTY 3)
41	B1368000	BLOWER WHEEL (11 X 10) (M2)
41	D6723303	WHEEL-BLOWER (M1)
51	B1392918	WASHER FLAT 1/4 ID X 1 OD (QTY 3)
61	B1393323	SCREW,MACHI HWH 1/4-20X1 1/2 BZ
81	M0250565	TC SCREW 1.25" (QTY 3)
101	B1393800	LOCKNUT, NYLON, INSERT 1/4, 20
121	0131G00103	MOTOR PROGRAMMED (M1)
121	0131G00105	MOTOR PROGRAMMED (M2)
131	20269903	LIMIT
151	2509503	BRACKET F/ROLLOUT SWUT SWITCH
161	0271G00024	BLOWER HOUSING ASSY (10X9) (M1)
161	2539309	BLOWER HOUSING ASSY (11X10) (M2)
171	764742	BLOCK OFF - BLOWER (M1)
171	1864703	BLOWER CUT-OFF ASM,5TON,MORRIS (M2)
NS	0121G00148	SINGLE COVER, DOWN DISCHARGE (QTY 2)

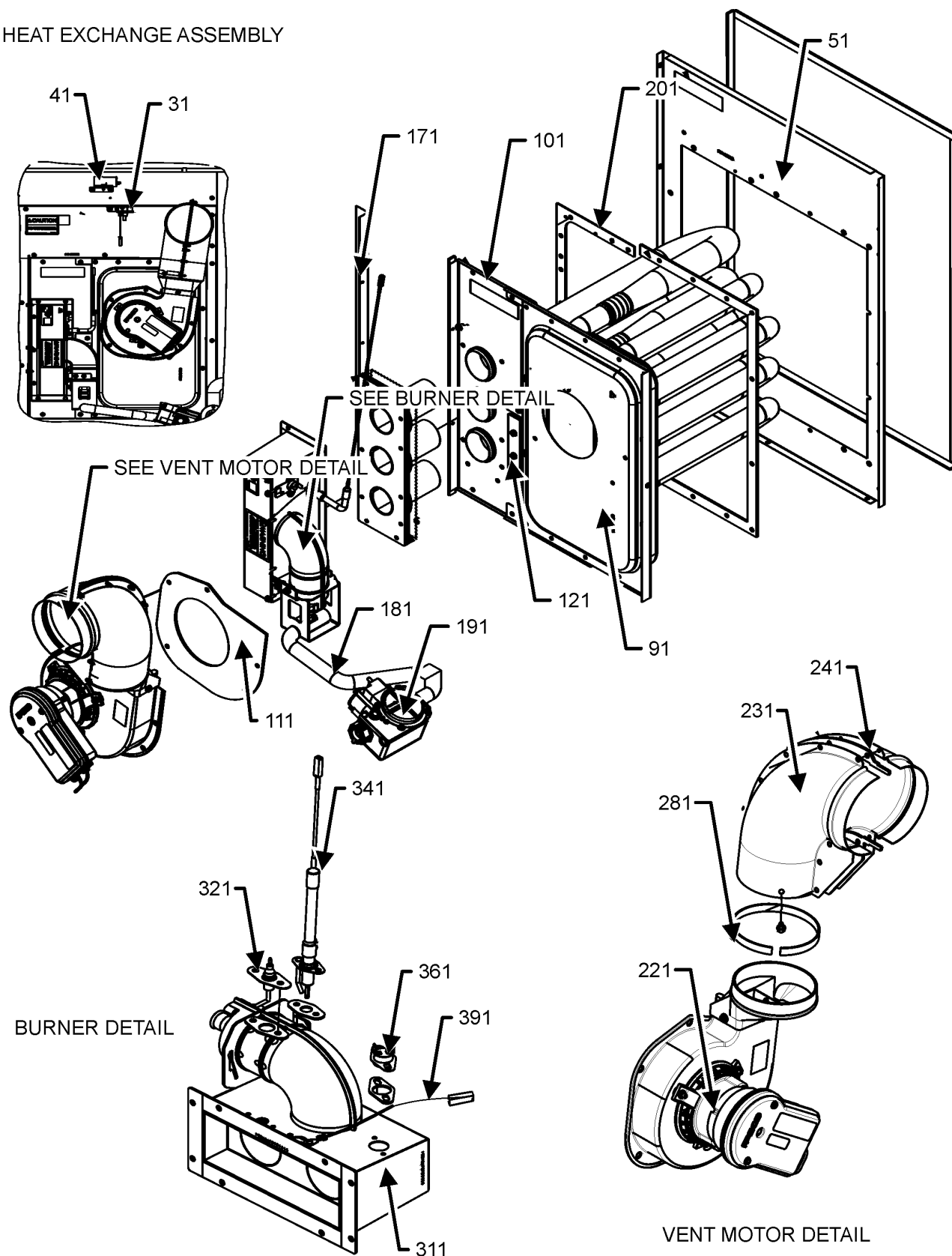
## Expanded Model Nomenclature

M1 - DP16UM3008041AA

M2 - DP16UM3608041AA

# Heat Exchange and Burner Assembly

## HEAT EXCHANGE ASSEMBLY



HEAT EXCHANGE ASSEMBLY MAY DIFFER FROM WHAT IS SHOWN

# Heat Exchange and Burner Assembly

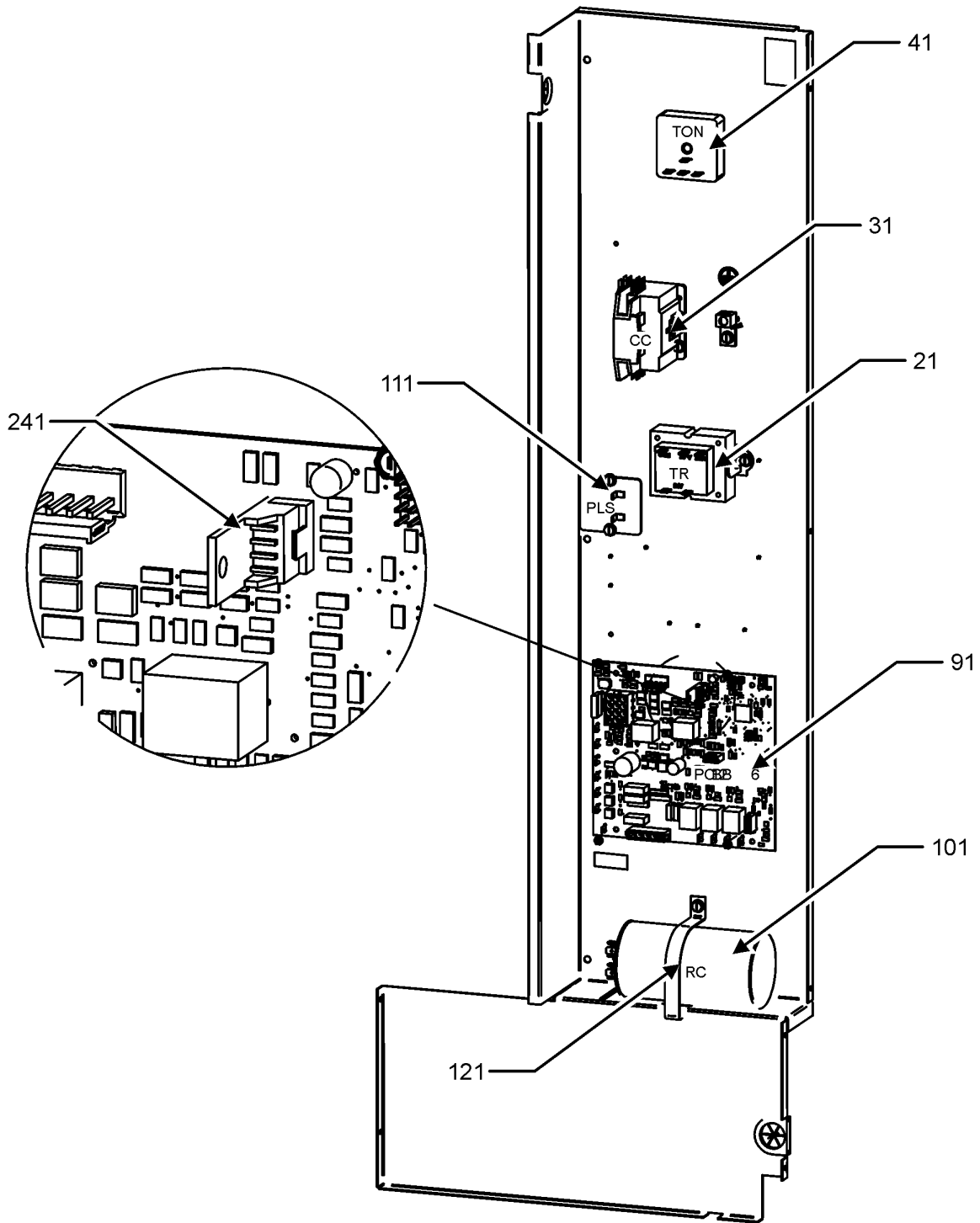
Ref. Part No:	Part No:	Description:	Ref. Part No:	Part No:	Description:
<i>Image 1:</i>					
31	0130M00685	TRANSDUCER PRESSURE SWITCH			
41	0130M00684	IGNITION MODULE			
51	0121G00841	PANEL, BURNER (M1)			
51	0121G00852	PANEL, BURNER (M2)			
91	0121G00850	COLLECTOR BOX 4.5" DIA			
101	0257G00122	HEAT EXCHANGER ASSY			
111	0154G00033	VENT MOTOR GASKET			
121	0121G00844	PLATE ULN HT EX LIMIT COVER			
171	0121G00839	BRACKET BURNER PANEL MOUNT			
181	0263G00007	MANIFOLD ASSY (M1)			
181	0263G00009	MANIFOLD ASSY (M2)			
191	0151M00094	GAS VALVE ULN			
201	0154G00041	GASKET HEAT EXCHNAGER			
221	0131M00966	MOTOR VENT ID			
231	0121G00847	FLUE ELBOW LEFT			
241	0121G00848	FLUE ELBOW RIGHT			
281	0154G00038	GASKET INDUCER TRANSTION			
311	0163G00016	BURNER ULN			
321	0130F00762	FLAME SENSOR			
341	0130M00722	IGNITOR ULN SPARK ELECTRODE			
361	0130G00024	SWITCH HIGH LIMIT ULN			
391	0259L01798	WIRE HARNESS ASSY			
NS	0121G00893	BRACKET IGN MODULE MOUNTING			
NS	0154G00031	FLUE GASKET ELBOW			
NS	0154G00032	FLUE GASKET ELBOW			
NS	0154F00068	GASKER ULN FLAME SENSOR			
NS	0154M00079	GASKET IULN IGNITOR			
NS	0154F00069	GASKET LIMIT ULN			
NS	0154G00034	ULN COLLECTOR BOX GASKET			
NS	0154G00030	ULN LIMIT COVER GASKET			

**Expanded Model Nomenclature**

M1 - DP16UM3008041AA
M2 - DP16UM3608041AA

# Control Panel Assembly

## CONTROL BOX ASSEMBLY



CONTROL BOX ASSEMBLY MAY DIFFER FROM WHAT IS SHOWN

# Control Panel Assembly

Ref. Part No:	No:	Description:	Ref. Part No:	No:	Description:
---------------	-----	--------------	---------------	-----	--------------

---

**Image 1:**

21	0130M00138	TRANSFORMER 208/230 24V
31	CONT1P030024V	CONT 1 POLE 30 AMP 24VAC
41	B1370772	TIME DELAY ICM 180SEC DELA
91	PCBBL216	INTERGRATED FURNACE CONTROLLER
101	CAP050400440CT	CAP, 5/40 MFD/440V/DUAL RD
111	10728342	LIMIT SWITCH
121	20520901	STRAP-CAPACITOR
241	0130G00014	ID PLUG
NS	0259G00293	BLOWER HARNESS,2STG,VSTB,ULN
NS	B1378533	LUG GROUND SMALL 4T

**Expanded Model Nomenclature**

M1 - DP16UM3008041AA

M2 - DP16UM3608041AA