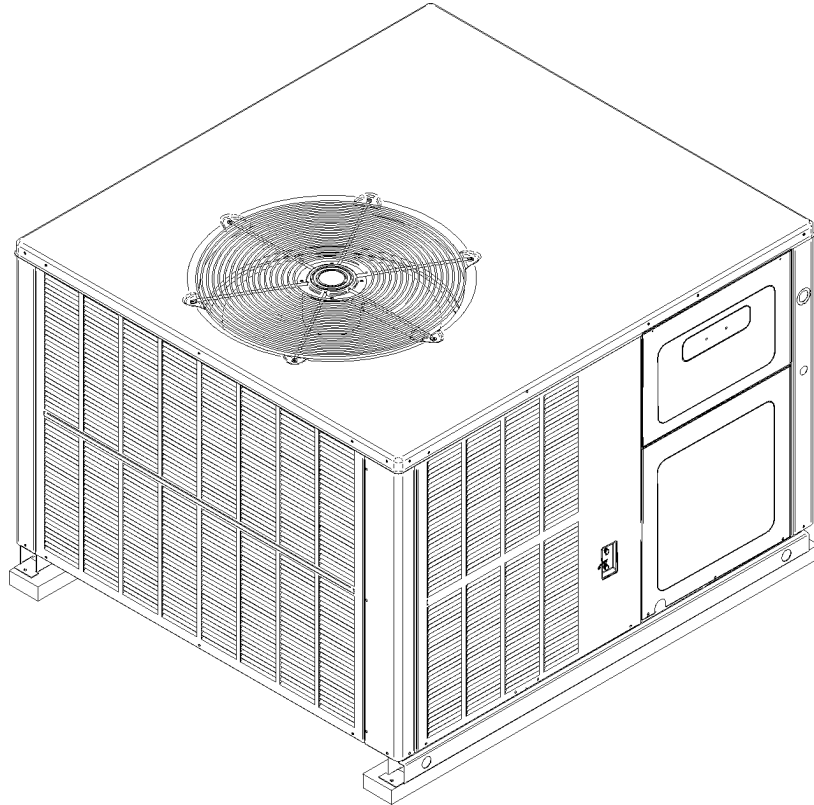


DP16HM Multi-Position Residential Package Heat Pump

DP16HM2441AA
DP16HM2441AB
DP16HM3041AA
DP16HM3041AB
DP16HM3641AA
DP16HM3641AB
DP16HM4241AA
DP16HM4241AB
DP16HM4841AA
DP16HM4841AB



This manual is to be used by qualified technicians only.

This manual replaces RP-D3021.

© 2015-2016 **DAIKIN COMPANY, L.P.** ♦ 5151 San Felipe St., Suite 500 ♦ Houston, TX 77056

Important Information

Index

| | |
|------------------------------|--------|
| Functional Parts List | 3 |
| Illustration and Parts | 4 - 11 |

Views shown are for parts illustrations only, not servicing procedures.

Text Codes:

AR - As Required

NA - Not Available

NS - Not Shown

00000000 - See Note

QTY - Quantity Example (QTY 3) (If Quantity not shown, Quantity = 1)

M - Model Example (M1) (If M Code not shown, then part is used on all Models)

Expanded Model Nomenclature:

| |
|---|
| Example M1 - Model#1 M2 - Model#2 M3 - Model#3 |
|---|

Daikin Company, L.P. is not responsible for personal injury or property damage resulting from improper service. Review all service information before beginning repairs.

Warranty service must be performed by an authorized technician, using authorized factory parts. If service is required after the warranty expires, Daikin Company, L.P. also recommends contacting an authorized technician and using authorized factory parts.

Daikin Company, L.P. reserves the right to discontinue, or change at any time, specifications or designs without notice or without incurring obligations.

For assistance within the U.S.A. contact:

Consumer Affairs Department
Daikin North America, LLC
7401 Security Way
Houston, Texas 77040
855-770-5678-Telephone
713-863-2382-Facsimile

For assistance outside the U.S.A. contact:

International Division
Daikin North America, LLC
7401 Security Way
Houston, Texas 77040
713-861-2500-Telephone
713-863-2382-Facsimile

Functional Parts

Part

No: Description:

| | |
|----------------|--|
| 0130M00242 | 24V RELAY |
| D6723303 | BLOWER WHEEL |
| CAP050300440CS | CAP,5/30MFD/440V/DUAL RD (M9, M10) |
| CAP050350440CS | CAPACITOR 5/35/440V (M1, M2) |
| CAP050400440CT | CAPACITOR 5/40/440V/DUAL RD (M3, M4, M5, M6) |
| CAP050450440CT | CAPACITOR 5/45/440V/DUAL RD (M7, M8) |
| ZPS20K5EPFV130 | COMP, 20000,208/130 (M1, M2) |
| ZPS30K5EPFV130 | COMP,30000,208/230 (M5, M6) |
| ZPS40K5EPFV130 | COMPRESSOR 41100, 208/230/60/1 (M9, M10) |
| ZPS26K5EPFV130 | COMPRESSOR, COPELAND (M3, M4) |
| ZPS35K5EPFV130 | COMPRESSOR, COPELAND (M7, M8) |
| 0131M00061 | COND MOTOR 1/4 HP, 1 SP, 8 PL (M1, M2, M3, M4, M5, M6) |
| 0131M00429 | COND MOTOR 1/4 HP, 1 SP,6 PL (M7, M8, M9, M10) |
| CONT1P025024V | CONTACTOR 25 AMP, 1P, 24V (M1, M2, M3, M4, M5, M6) |
| CONT1P030024V | CONTACTOR 30 AMP, 1P, 24V (M7, M8) |
| CONT2P040024V | CONTACTOR 40 AMP, 2P, 24V (M9, M10) |
| 0130M00197 | CONTROL, DEFROST |
| 0163R00022 | CRANK CASE HEATER (M1, M2, M3, M4, M5, M6) |
| 0163R00021 | CRANK CASE HEATER (M7, M8, M9, M10) |
| 0130M00074 | CUT-OUT SWITCH, HIGH PRESSURE |
| 0130M00075 | CUT-OUT SWITCH, LOW PRESSURE |
| PCBDM133 | DEFROST CONTROL BOARD |
| 0150G00002 | FAN BLADE SWEEP-WING |
| 0131M00633 | MOTOR-1/2 HP PROGRAMMED EON (M1, M2) |
| 0131M00632 | MOTOR-1/2 HP PROGRAMMED EON (M3, M4, M5, M6) |
| 0131M00635 | MOTOR-3/4 HP PROGRAMMED EON (M7, M8, M9, M10) |
| PCBEM102 | PCB, ECM PRIMARY, VSTB |
| 0151R00071 | REVERSING VALVE (M7, M8, M9, M10) |
| 0151R00069 | REVERSING VALVE (M1, M2, M3, M4, M5, M6) |
| B1225022 | SOLENOID COIL |
| 0130M00199 | SWITCH, CRANK CASE HEATER |
| 802007090 | TERMINAL BOARD |
| 0130M00138 | TRANSFORMER 208/230, 24V |
| 0151G00005 | VALVE, NXT (M1, M2, M3, M4) |
| 0151M00049 | VALVE, NXT (M5, M6, M7, M8) |
| 0151M00050 | VALVE, NXT (M9, M10) |

Expanded Model Nomenclature

| |
|--------------------|
| M1 - DP16HM2441AA |
| M2 - DP16HM2441AB |
| M3 - DP16HM3041AA |
| M4 - DP16HM3041AB |
| M5 - DP16HM3641AA |
| M6 - DP16HM3641AB |
| M7 - DP16HM4241AA |
| M8 - DP16HM4241AB |
| M9 - DP16HM4841AA |
| M10 - DP16HM4841AB |

Cabinet Assembly

Image 1

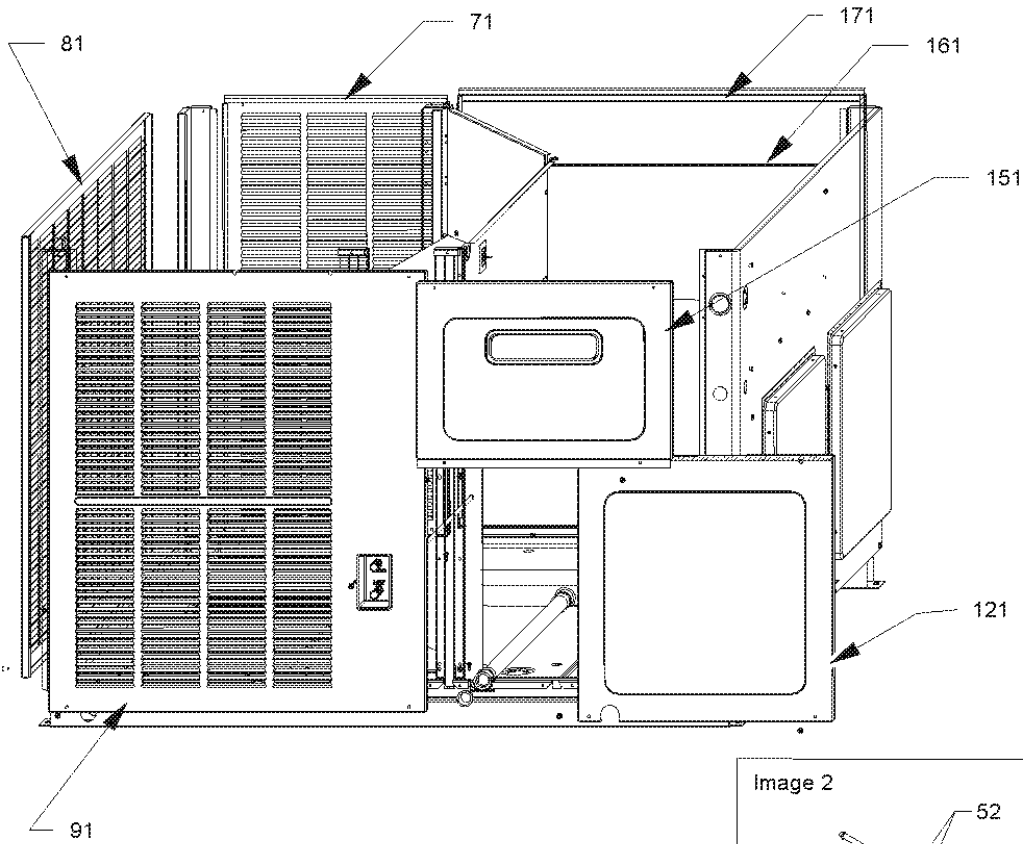
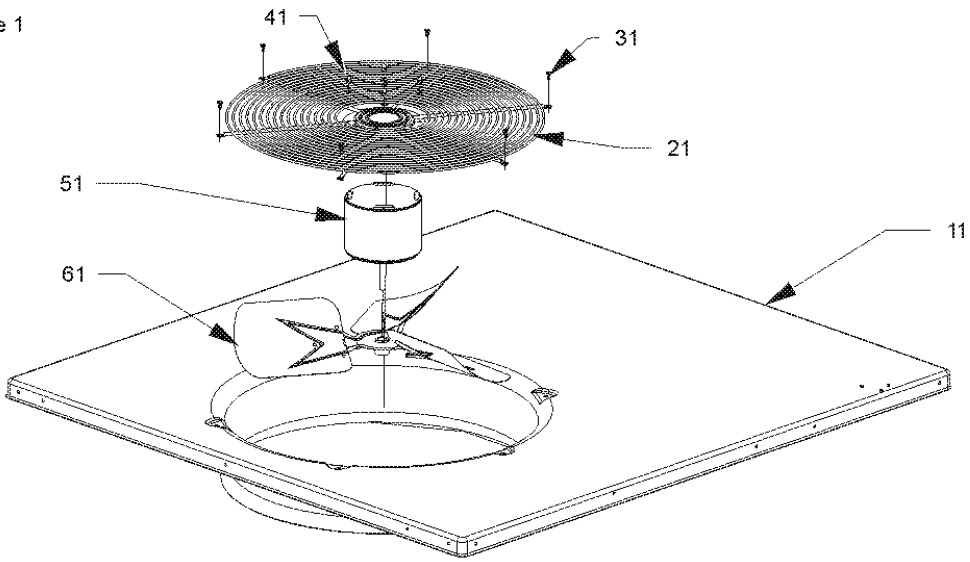
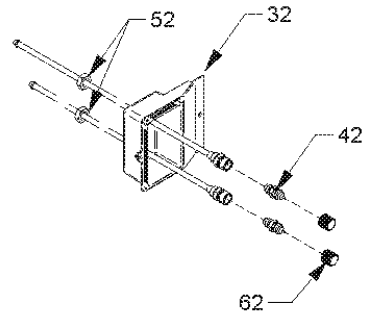


Image 2



Cabinet Assembly

| Ref. Part No: | Part No: | Description: | Ref. Part No: | Part No: | Description: |
|---------------|----------|--------------|---------------|----------|--------------|
|---------------|----------|--------------|---------------|----------|--------------|

Image 1:

| | | |
|-----|--------------|--|
| 11 | 0121G00156NG | PNL, TOP, PNT |
| 21 | 0152G00000 | FAN GRILLE, RAISED |
| 31 | B1393530 | SCREW HWH,10 X 1/2, A, YZD, SLOT, SR (M9, M10) |
| 31 | M0221817 | SMALL SCREW (M1, M2, M3, M4, M5, M6, M7, M8) |
| 41 | 0163M00006P | ACORN NUT 5/16 HEX BLACK (QTY 4) |
| 51 | 0131M00061 | COND MOTOR 1/4 HP, 1 SP, 8 PL (M1, M2, M3, M4, M5, M6) |
| 51 | 0131M00429 | COND MOTOR 1/4 HP, 1 SP,6 PL (M7, M8, M9, M10) |
| 61 | 0150G00002 | FAN BLADE SWEPT-WING |
| 71 | 20467701NG | LOUVERED PANEL, COND SIDE 32" (M1, M2, M3, M4, M5, M6) |
| 71 | 20467702NG | LOUVERED PANEL, COND SIDE 40" (M7, M8, M9, M10) |
| 81 | 20464401NG | LOUVERED PANEL, COND SIDE 32" (M1, M2, M3, M4, M5, M6) |
| 81 | 20464402NG | LOUVERED PANEL, COND SIDE 40" (M7, M8, M9, M10) |
| 91 | 0121G00658NG | COMPRESSOR PANEL (M2, M4, M6) |
| 91 | 0121G00659NG | COMPRESSOR PANEL (M8, M10) |
| 91 | 0121G00144NG | LVR, COMP, 2BANK, CNVRT, 32.5" (M1, M3, M5) |
| 91 | 0121G00145NG | LVR, COMP, 2BANK, CNVRT, 40" (M7, M9) |
| 121 | 0121G00165NG | PNL, BLO, CNVRT, 32.5", PNT (M1, M2, M3, M4, M5, M6) |
| 121 | 0121G00168NG | PNL, BLO, CNVRT, 40" PNT (M7, M8, M9, M10) |
| 151 | 0121G00213NG | PNL, CB, CNVRT,PNT |
| 161 | 0121G00591 | BLK-OFF, EVAP, TOP, CNVRT (M7, M8, M9, M10) |
| 161 | 0121G00592 | BLK-OFF, EVAP, TOP, CNVRT (M1, M2, M3, M4, M5, M6) |
| 171 | 20464801NG | DOOR -BLOWER 32, PNT (M1, M2, M3, M4, M5, M6) |
| 171 | 20464806NG | DOOR-BLOWER 40, PNT (M7, M8, M9, M10) |
| NS | 0121G00235 | FAN BAFFLE |
| NS | 0164G00005 | GROMMET-HORSESHOE 1.675 (M2, M4, M6, M8, M10) |
| NS | 1778800083F | PVC CONDUIT 8.25" |

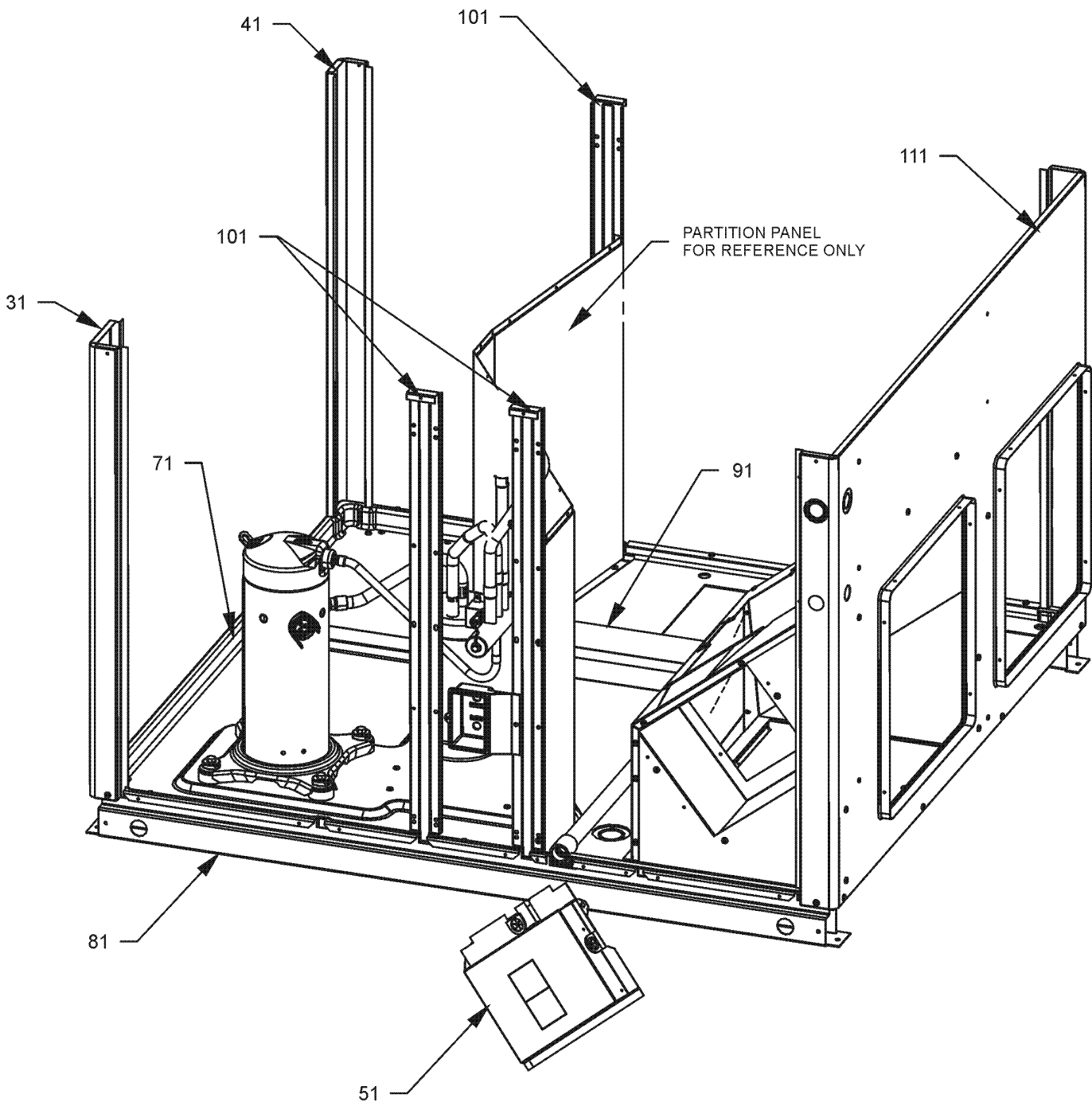
Image 2:

| | | |
|----|-------------|--|
| 32 | 0161G00008 | ACCESS-FITTING BOX (M1, M3, M5, M7, M9) |
| 42 | B1373315 | ACCESS FITTING (QTY 2) |
| 52 | 0163G00000P | FASTEST FITTING NUT (M1, M3, M5, M7, M9) |
| 62 | 0163M00175 | CAP WITH O-RING (QTY 2) |

Expanded Model Nomenclature

| |
|--------------------|
| M1 - DP16HM2441AA |
| M2 - DP16HM2441AB |
| M3 - DP16HM3041AA |
| M4 - DP16HM3041AB |
| M5 - DP16HM3641AA |
| M6 - DP16HM3641AB |
| M7 - DP16HM4241AA |
| M8 - DP16HM4241AB |
| M9 - DP16HM4841AA |
| M10 - DP16HM4841AB |

Panels and Supports



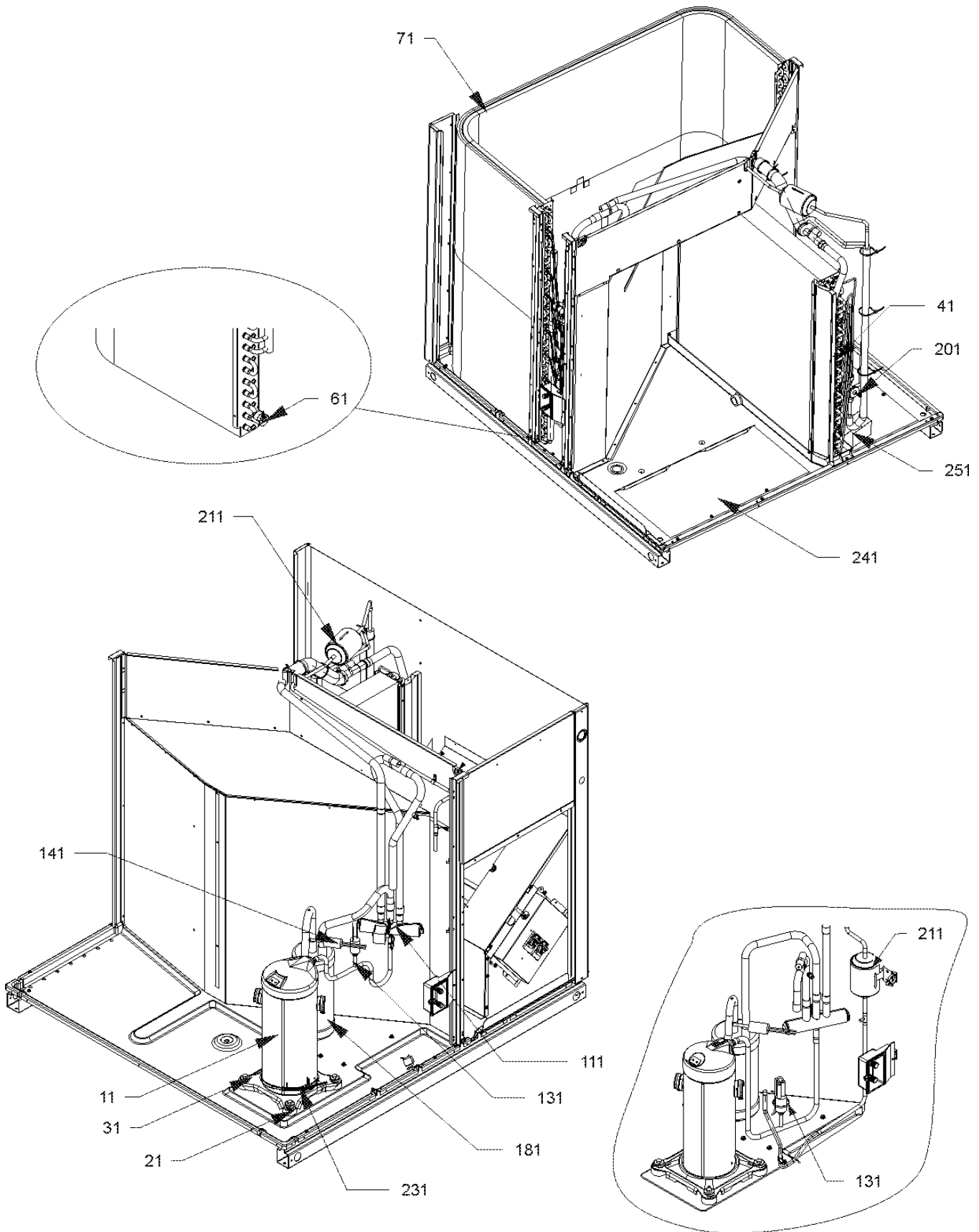
Panels and Supports

| Ref. Part No: | No: | Description: | Ref. Part No: | No: | Description: |
|-----------------|--------------|--|---------------|-----|--------------|
| Image 1: | | | | | |
| 31 | 20464201NG | CORNER POST-COMP END 32" (M1, M2, M3, M4, M5, M6) | | | |
| 31 | 20464202NG | CORNER POST-COMP END 40" (M7, M8, M9, M10) | | | |
| 41 | 20464301NG | CORNER POST-HAIRPIN END 32" (M1, M2, M3, M4, M5, M6) | | | |
| 41 | 20464302NG | CORNER POST-HAIRPIN END 40" (M7, M8, M9, M10) | | | |
| 51 | 0121G00528 | HEATER KIT COVER (QTY 2) | | | |
| 71 | 0121G00290 | BASE PAN RAIL (QTY 2) | | | |
| 81 | 0121G00444 | BASEPAN, PACKAGE | | | |
| 91 | 0161G00003 | PLASTIC DRIP PAN | | | |
| 101 | 0121G00460 | POST-SUPPORT, SIDE (M1, M2, M3, M4, M5, M6) | | | |
| 101 | 0121G00462 | POST-SUPPORT, SIDE (M7, M8, M9, M10) | | | |
| 111 | 0121G00671NG | PNL, DUCT, CNVRT, 32.5" PNT (M1, M2, M3, M4, M5, M6) | | | |
| 111 | 0121G00672NG | PNL, DUCT, CNVRT, 40" PNT (M7, M8, M9, M10) | | | |

Expanded Model Nomenclature

- M1 - DP16HM2441AA
- M2 - DP16HM2441AB
- M3 - DP16HM3041AA
- M4 - DP16HM3041AB
- M5 - DP16HM3641AA
- M6 - DP16HM3641AB
- M7 - DP16HM4241AA
- M8 - DP16HM4241AB
- M9 - DP16HM4841AA
- M10 - DP16HM4841AB

Tubing / Coil Assemblies



Tubing / Coil Assemblies

| Ref. Part No: No: | Description: | Ref. Part No: No: | Description: |
|-------------------|---|------------------------------------|--------------|
| <i>Image 1:</i> | | Expanded Model Nomenclature | |
| 11 | ZPS20K5EPFV130 COMP, 20000,208/130 (M1, M2) | M1 - DP16HM2441AA | |
| 11 | ZPS30K5EPFV130 COMP,30000,208/230 (M5, M6) | M2 - DP16HM2441AB | |
| 11 | ZPS40K5EPFV130 COMPRESSOR 41100, 208/230/60/1 (M9, M10) | M3 - DP16HM3041AA | |
| 11 | ZPS26K5EPFV130 COMPRESSOR, COPELAND (M3, M4) | M4 - DP16HM3041AB | |
| 11 | ZPS35K5EPFV130 COMPRESSOR, COPELAND (M7, M8) | M5 - DP16HM3641AA | |
| 21 | B1339533 COMPRESSOR GROMMET (QTY 4) | M6 - DP16HM3641AB | |
| 31 | M0221641 TF SHOULDER SCREW (QTY 4) | M7 - DP16HM4241AA | |
| 41 | 0202G00542 EVAP COIL ASSY (M9, M10) | M8 - DP16HM4241AB | |
| 41 | 0202G00582 EVAP COIL ASSY (M1, M2, M3, M4) | M9 - DP16HM4841AA | |
| 41 | 0202G00583 EVAP COIL ASSY (M5, M6) | M10 - DP16HM4841AB | |
| 41 | 0202G00707 EVAP COIL ASSY (M7, M8) | | |
| 61 | 0130M00197 CONTROL, DEFROST | | |
| 71 | 0201G00383 COND COIL ASSY (M1, M2, M3, M4) | | |
| 71 | 0201G00402 COND COIL ASSY (M7, M8) | | |
| 71 | 0201G00404 COND COIL ASSY (M5, M6) | | |
| 71 | 0201G00405 COND COIL ASSY (M9, M10) | | |
| 111 | 0151R00069 REVERSING VALVE (M1, M2, M3, M4, M5, M6) | | |
| 111 | 0151R00071 REVERSING VALVE (M7, M8, M9, M10) | | |
| 131 | 0130M00074 CUT-OUT SWITCH, HIGH PRESSURE | | |
| 141 | 0130M00075 CUT-OUT SWITCH, LOW PRESSURE | | |
| 181 | B1226206 ACCUMULATOR (M1, M2, M3, M4) | | |
| 181 | B1226207 ACCUMULATOR .875 (M5, M6, M7, M8, M9, M10) | | |
| 201 | 0151G00005 VALVE, NXT (M1, M2, M3, M4) | | |
| 201 | 0151M00049 VALVE, NXT (M5, M6, M7, M8) | | |
| 201 | 0151M00050 VALVE, NXT (M9, M10) | | |
| 211 | 20485201 BI-FLOW FILTER DRIER | | |
| 231 | 0163R00021 CRANK CASE HEATER (M7, M8, M9, M10) | | |
| 231 | 0163R00022 CRANK CASE HEATER (M1, M2, M3, M4, M5, M6) | | |
| 241 | 0121G00148 SINGLE COVER, DOWN DISCHARGE (QTY 2) | | |
| 251 | 0121G00509 DRIP SHIELD | | |
| NS | 0159G00002 COMPRESSOR SCROLL HARNESS (M1, M2, M3, M4, M5, M6) | | |
| NS | 0159G00004 COMPRESSOR SCROLL HARNESS (M7, M8, M9, M10) | | |
| NS | 0159G00001 COMPRESSOR SOLENOID CABLE | | |
| NS | B1488806 COMPRESSOR SOUND BLANKET (M7, M8, M9, M10) | | |
| NS | B1488807 COMPRESSOR SOUND BLANKET (M1, M2, M3, M4, M5, M6) | | |
| NS | 0162M00055 FLOWRATOR [COND] (M7, M8, M9, M10) | | |
| NS | 0162M00274 FLOWRATOR [COND] (M1, M2, M3, M4, M5, M6) | | |
| NS | 0162M00324 FLOWRATOR [EVAP] (M1, M2, M3, M4, M5, M6) | | |
| NS | 0162M00325 FLOWRATOR [EVAP] (M7, M8, M9, M10) | | |
| NS | B1225022 SOLENOID COIL | | |
| NS | 0130M00199 SWITCH, CRANK CASE HEATER | | |

Control Panel / Blower Assembly

Image 1

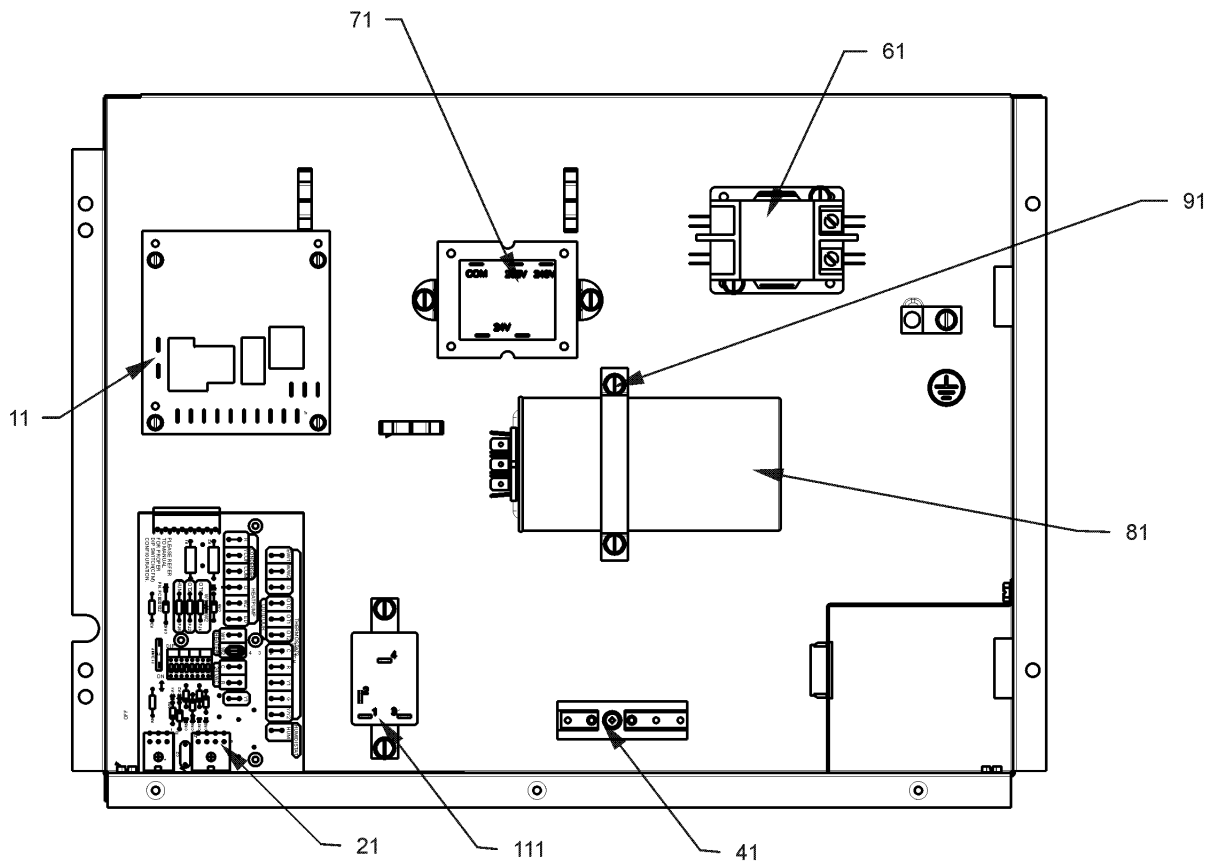
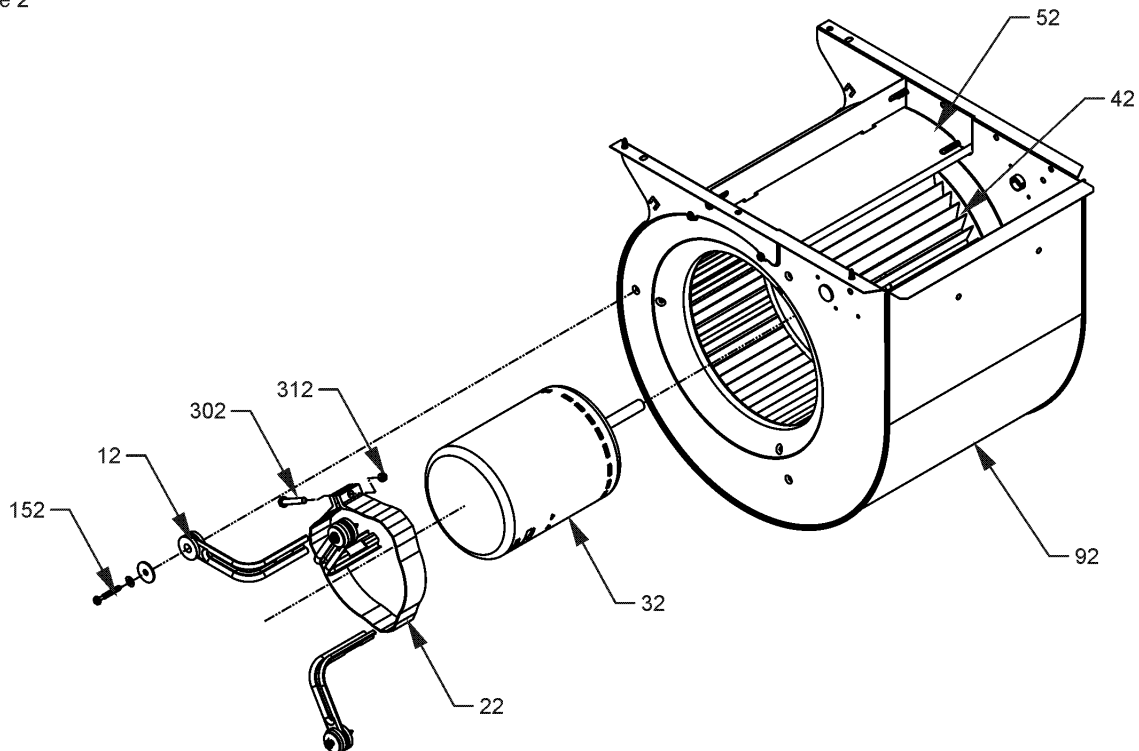


Image 2



Control Panel / Blower Assembly

| Ref. Part No: | Part No: | Description: | Ref. Part No: | Part No: | Description: |
|---------------|----------|--------------|---------------|----------|--------------|
|---------------|----------|--------------|---------------|----------|--------------|

Image 1:

| | | |
|-----|----------------|--|
| 11 | PCBDM133 | DEFROST CONTROL BOARD |
| 21 | PCBEM102 | PCB, ECM PRIMARY, VSTB |
| 41 | 802007090 | TERMINAL BOARD |
| 61 | CONT1P025024V | CONTACTOR 25 AMP, 1P, 24V (M1, M2, M3, M4, M5, M6) |
| 61 | CONT1P030024V | CONTACTOR 30 AMP, 1P, 24V (M7, M8) |
| 61 | CONT2P040024V | CONTACTOR 40 AMP, 2P, 24V (M9, M10) |
| 71 | 0130M00138 | TRANSFORMER 208/230, 24V |
| 81 | CAP050300440CS | CAP,5/30MFD/440V/DUAL RD (M9, M10) |
| 81 | CAP050350440CS | CAPACITOR 5/35/440V (M1, M2) |
| 81 | CAP050400440CT | CAPACITOR 5/40/440V/DUAL RD (M3, M4, M5, M6) |
| 81 | CAP050450440CT | CAPACITOR 5/45/440V/DUAL RD (M7, M8) |
| 91 | 20520901 | CAPACITOR STRAP |
| 111 | 0130M00242 | 24V RELAY |
| NS | 0259G00158 | COMPRESSOR HARNESS ASSEMBLY (M7, M8, M9, M10) |
| NS | 0259G00168 | COMPRESSOR HARNESS ASSEMBLY (M1, M2, M3, M4, M5, M6) |
| NS | 0259G00150 | HARNESS 12 PIN FEMALE |
| NS | 0259G00135 | MAIN CONTROL BOX WIRE HARNESS |
| NS | 0259G00153 | WIRE HARNESS ASSY |

Image 2:

| | | |
|-----|------------|---|
| 12 | B1376857 | MOTOR MOUNT ARM (QTY 3) |
| 22 | 0121M00038 | MOTOR MOUNT BAND |
| 32 | 0131M00632 | MOTOR-1/2 HP PROGRAMMED EON (M3, M4, M5, M6) |
| 32 | 0131M00633 | MOTOR-1/2 HP PROGRAMMED EON (M1, M2) |
| 32 | 0131M00635 | MOTOR-3/4 HP PROGRAMMED EON (M7, M8, M9, M10) |
| 42 | D6723303 | BLOWER WHEEL |
| 52 | 764742 | BLOWER BLOCK-OFF |
| 92 | 0271G00024 | BLOWER HOUSING ASSY 10 X 9 |
| 152 | M0250565 | TC SCREW 1.25" (QTY 5) |
| 302 | B1393323 | MACHINE SCREW HWH 1/4-20 X 1-1/2 BZ |
| 312 | B1393800 | LOCKNUT, NYLON, INSERT 1/4, 20 |
| NS | 0259G00153 | BLOWER HARNESS ASSEMBLY |
| NS | B1378700 | WIRE HARNESS, LOW VOLTAGE (16-PIN ECM) |

Expanded Model Nomenclature

| |
|--------------------|
| M1 - DP16HM2441AA |
| M2 - DP16HM2441AB |
| M3 - DP16HM3041AA |
| M4 - DP16HM3041AB |
| M5 - DP16HM3641AA |
| M6 - DP16HM3641AB |
| M7 - DP16HM4241AA |
| M8 - DP16HM4241AB |
| M9 - DP16HM4841AA |
| M10 - DP16HM4841AB |