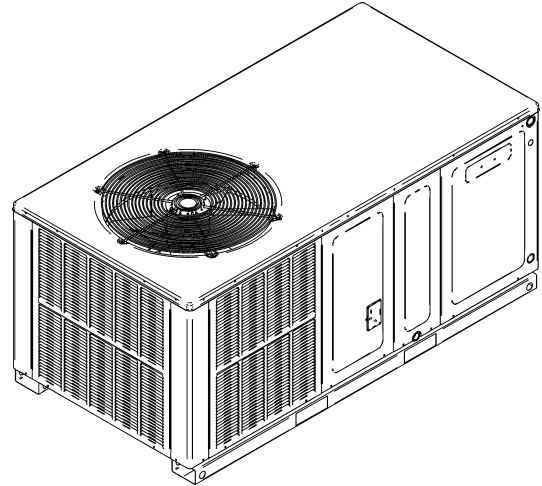

DP16HH Horizontal Package Heat Pumps

DP16HH2441AC
DP16HH3041AC
DP16HH3641BB



This manual is to be used by qualified technicians only.

Important Information

Index

Functional Parts List	3
Illustration and Parts	4 - 11

Views shown are for parts illustrations only, not servicing procedures

Text Codes:

AR - As Required

NA - Not Available

NS - Not Shown

00000000 - See Note

QTY - Quantity Example (QTY 3) (If Quantity not shown, Quantity = 1)

M - Model Example (M1) (If M Code not shown, then part is used on all Models)

Expanded Model Nomenclature:

Example M1 - Model#1 M2 - Model#2 M3 - Model#3

Daikin Manufacturing Company, L.P. is not responsible for personal injury or property damage resulting from improper service. Review all service information before beginning repairs.

Warranty service must be performed by an authorized technician, using authorized factory parts. If service is required after the warranty expires, Daikin Manufacturing Company, L.P. also recommends contacting an authorized technician and using authorized factory parts.

Daikin Manufacturing Company, L.P. reserves the right to discontinue, or change at any time, specifications or designs without notice or without incurring obligations.

For assistance within the U.S.A. contact:

Homeowner Support
Daikin North America, LLC
19001 Kermier Road
Waller, Texas 77484
855-770-5678-Telephone
713-863-2382-Facsimile

For assistance outside the U.S.A. contact:

International Division
Daikin North America, LLC
19001 Kermier Road
Waller, Texas 77484
713-861-2500-Telephone
713-863-2382-Facsimile

Functional Parts

Part

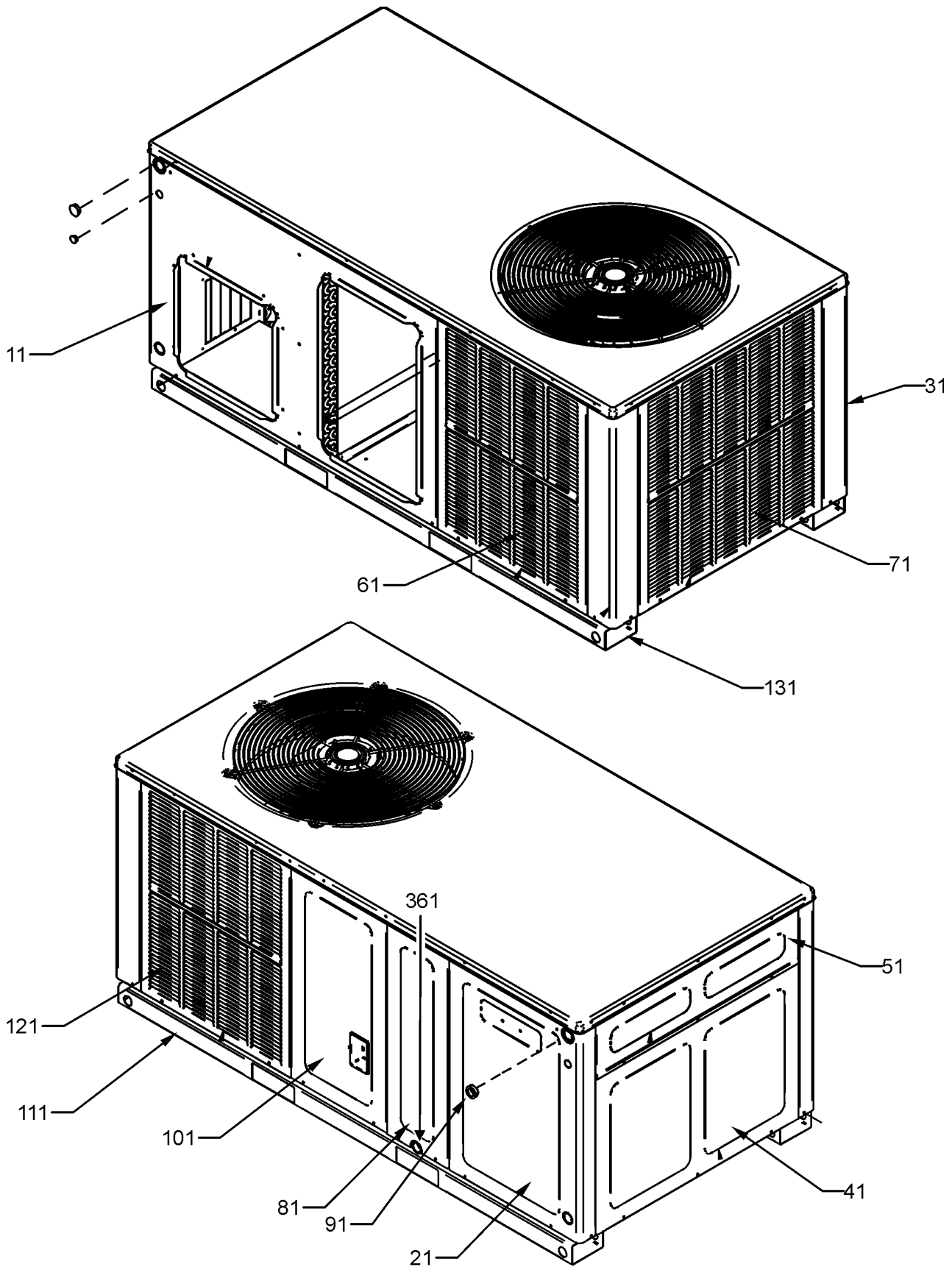
No: Description:

B1368016	BLOWER WHEEL 10 X 8
CAP050400440CT	CAPACITOR 5/40/440V/DUAL RD (M1, M2)
CAP050450440CT	CAPACITOR 5/45/440V/DUAL RD (M3)
ZP29K6EPFV120	COMP, 39700, 208/230/60/1 (M3)
ZP21K5EPFV130	COMP,21300,208/230/60/1 (M1)
ZP25K5EPFV130	COMP,25200,208/230/60/1 (M2)
CONT1P025024V	CONTACTOR 25 AMP, 1P, 24V
0130M00099	CONTROL, DEFROST
0130M00074	CUT-OUT SWITCH, HIGH PRESSURE
PCBDM133	DEFROST CONTROL BOARD
B1086765	FAN BLADE TYPE 3 (M3)
0150M00055	FAN BLADE, 22" (M1, M2)
0130M00075	LOW PRESSURE SWITCH
0131M00753	MOTOR, 1/6HP, 1SP, 8PL, AL (M1, M2)
0131M00951	Motor, OD, PSC, 1/4 HP (M3)
PCBEM102	PCB, ECM PRIMARY, VSTB
0131M00682	PROGRAMMED EON MOTOR 1/2 HP (M1)
0131M00683	PROGRAMMED EON MOTOR 1/2 HP (M2)
0131M00684	PROGRAMMED EON MOTOR 1/2 HP (M3)
0151R00069	REVERSING VALVE (M1, M2)
0151R00071	REVERSING VALVE (M3)
0130M00138	TRANSFORMER 208/230, 24V

Expanded Model Nomenclature

M1 - DP16HH2441AC
M2 - DP16HH3041AC
M3 - DP16HH3641BB

Cabinet Assembly



Cabinet Assembly

Ref. Part No:	Part No:	Description:	Ref. Part No:	Part No:	Description:
---------------	----------	--------------	---------------	----------	--------------

Image 1:

11	0121G00667NG	DUCT PANEL 27.5" (M1, M2)
11	0121G00668NG	DUCT PANEL 32.5" (M3)
21	0121G00664NG	CORNER PANEL 27.5" (M1, M2)
21	0121G00665NG	CORNER PANEL 32.5" (M3)
31	0121G00047NG	CORNER POST 27.5" (M1, M2)
31	0121G00048NG	CORNER POST 32.5" (M3)
41	0121G00271NG	EXTERNAL BLOWER PANEL 27.5" (M1, M2)
41	0121G00272NG	EXTERNAL BLOWER PANEL 32.5" (M3)
51	0121G00276NG	EXTERNAL CONTROL BOX PANEL
61	0121G00069NG	LOUVERED PANEL 4 BANK 27.5" (M1, M2)
61	0121G00070NG	LOUVERED PANEL 4 BANK 32.5" (M3)
71	0121G00072NG	LOUVERED PANEL 5 BANK 27.5" (M1, M2)
71	0121G00073NG	LOUVERED PANEL 5 BANK 32.5" (M3)
81	0121G00065NG	EVAP PANEL 8.75" X 27.5" (M1, M2)
81	0121G00066NG	EVAP PANEL 8.75" X 32.5" (M3)
91	B1392011	GROMMET / HS .62 - .45
101	0121G00711NG	COMPRESSOR PANEL (M1, M2)
101	0121G00712NG	COMPRESSOR PANEL (M3)
111	0121G00046P	BASEPAN
121	0121G00069NG	LOUVERED PANEL 4 BANK 27.5" (M1, M2)
121	0121G00070NG	LOUVERED PANEL 4 BANK 32.5" (M3)
131	0121G00044PRF	BASEPAN RAIL (QTY 2)
361	0164G00005	GROMMET-HORSESHOE 1.675

Expanded Model Nomenclature

M1 - DP16HH2441AC
M2 - DP16HH3041AC
M3 - DP16HH3641BB

Chassis Assembly

Image 1

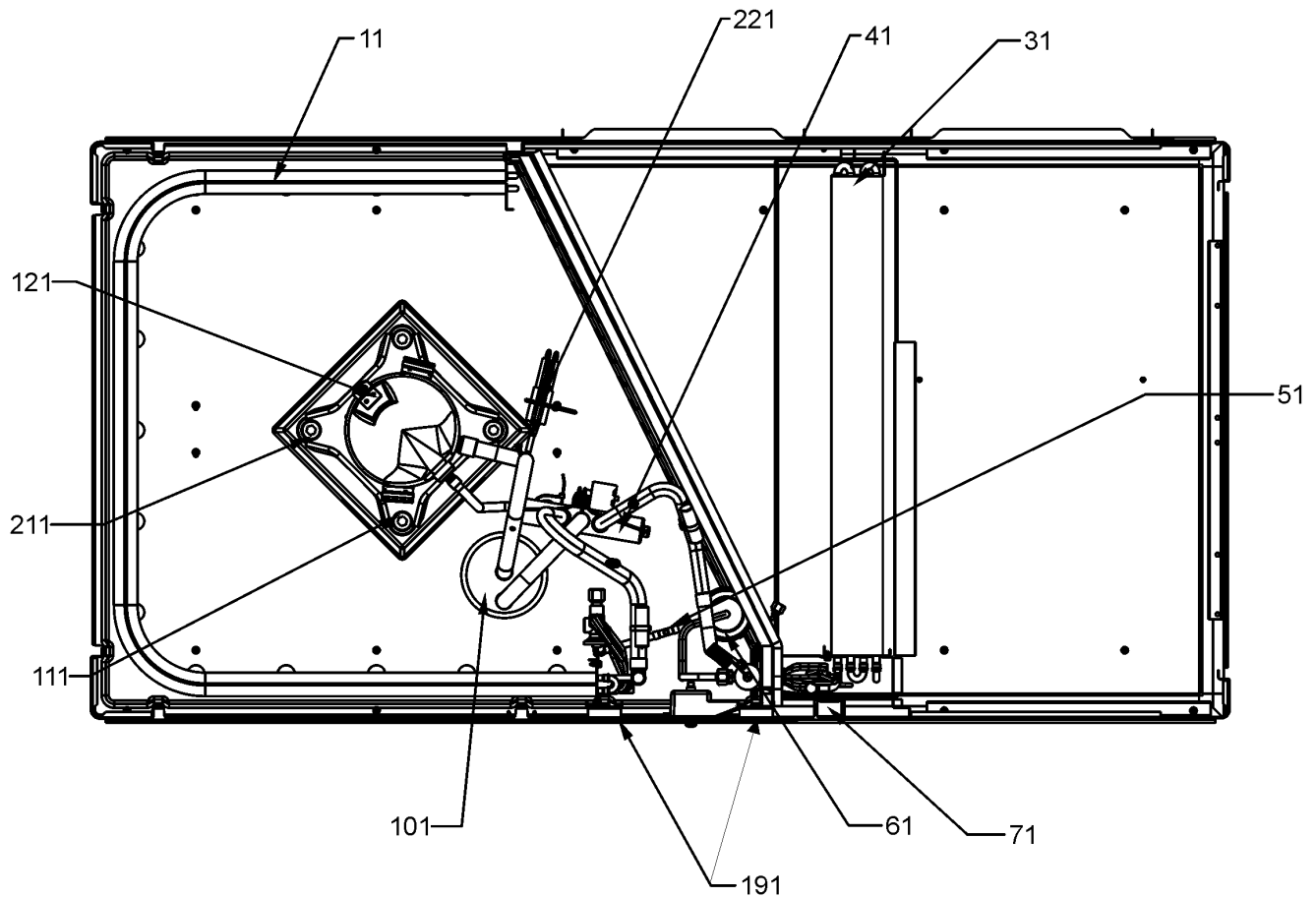


Image 2

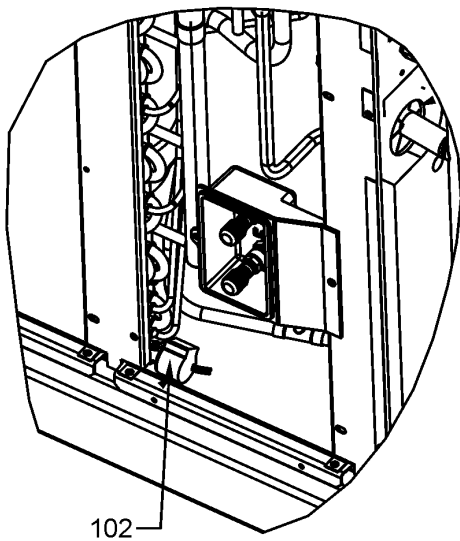
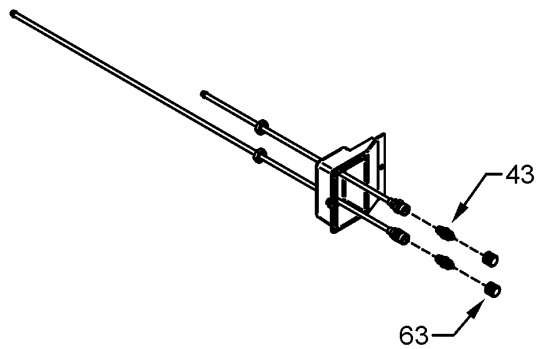


Image 3



Chassis Assembly

Ref. Part No:	Part No:	Description:	Ref. Part No:	Part No:	Description:
---------------	----------	--------------	---------------	----------	--------------

Image 1:

11	0201G00376	COND COIL ASSY (M3)
11	0201G00439	COND COIL ASSY (M1, M2)
31	0202G00651	EVAP COIL ASSY (M3)
31	0202G00665	EVAP COIL ASSY (M1, M2)
41	0151R00069	REVERSING VALVE (M1, M2)
41	0151R00071	REVERSING VALVE (M3)
51	0130M00074	CUT-OUT SWITCH, HIGH PRESSURE
61	20485201	BI-FLOW FILTER DRIER
71	0161G00000P	DRIP PAN
101	B1226206	ACCUMULATOR (M1, M2)
101	B1226207	ACCUMULATOR .875 (M3)
111	B1339533	COMPRESSOR GROMMET (QTY 4)
121	ZP29K6EPFV120	COMP, 39700, 208/230/60/1 (M3)
121	ZP21K5EPFV130	COMP,21300,208/230/60/1 (M1)
121	ZP25K5EPFV130	COMP,25200,208/230/60/1 (M2)
191	0121G00045P	POST 27.5" (M1, M2)
191	0121G00079P	POST 32.5" (M3)
211	M0221641	TF SHOULDER SCREW (QTY 4)
221	0130M00075	LOW PRESSURE SWITCH
NS	0160M00039	COMPRESSOR BLANKET
NS	0159G00004	COMPRESSOR SCROLL HARNESS
NS	0128G00052	EVAP DRIP SHIELD
NS	B1225022	SOLENOID COIL
NS	0151M00078	VALVE-TXV R410A

Image 2:

102	0130M00099	CONTROL, DEFROST
-----	------------	------------------

Image 3:

43	B1373315	ACCESS FITTING (QTY 2)
63	0163M00175	CAP WITH O-RING (QTY 2)

Expanded Model Nomenclature

M1 - DP16HH2441AC
M2 - DP16HH3041AC
M3 - DP16HH3641BB

Top Panel / Control Box Assembly

Image 1

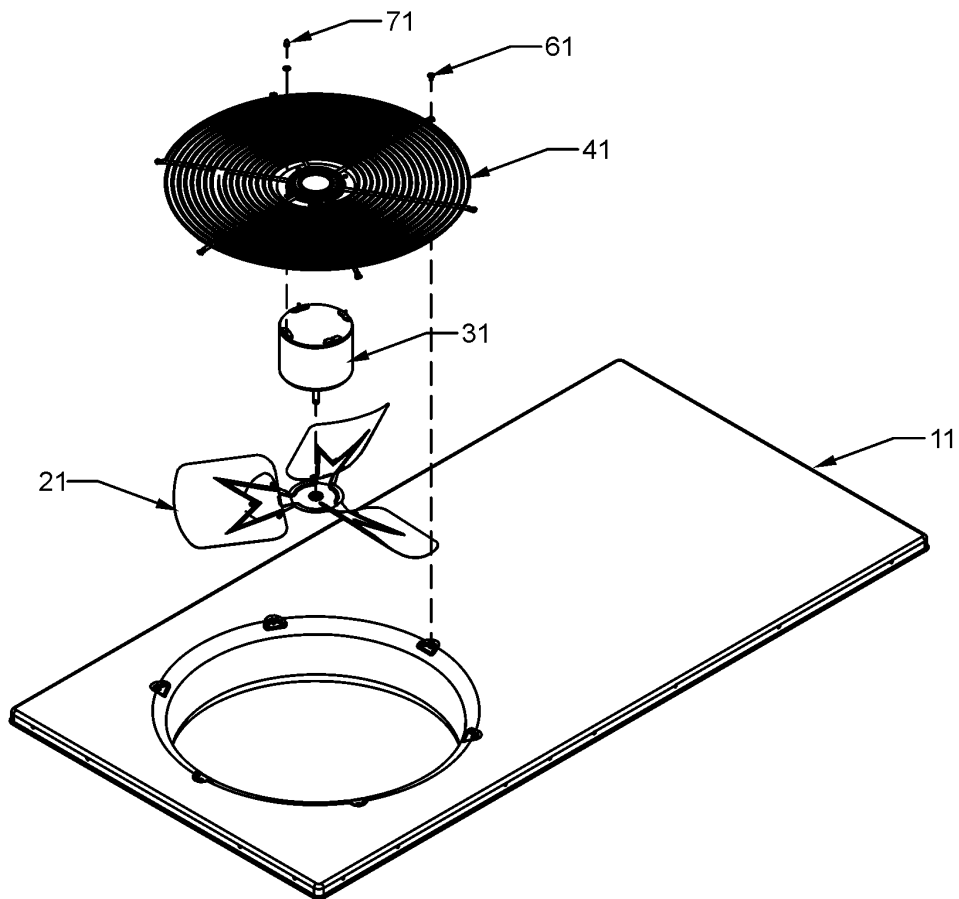
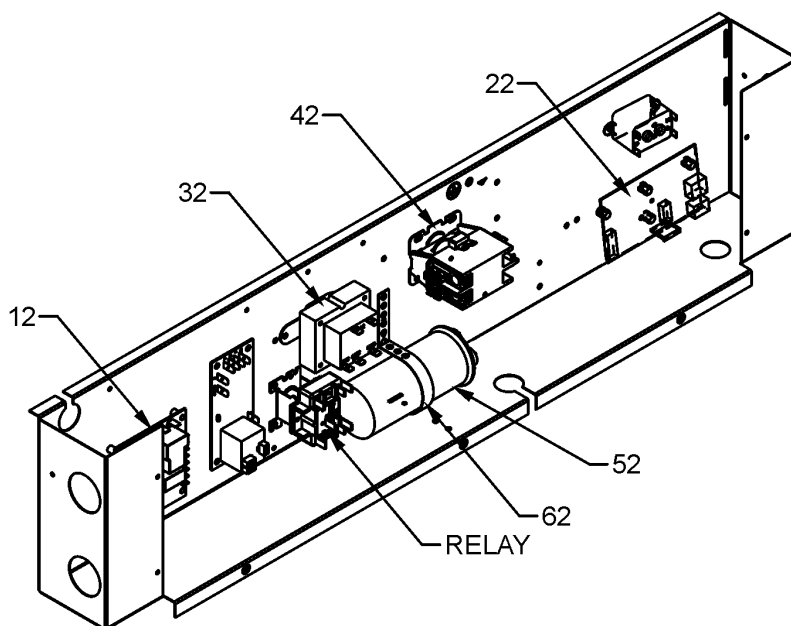


Image 2



Top Panel / Control Box Assembly

Ref. Part No:	Ref. Part No:	Description:	Description:
---------------	---------------	--------------	--------------

Image 1:

11	0121G00274NG	TOP PANEL PAINTED
21	B1086765	FAN BLADE TYPE 3 (M3)
21	0150M00055	FAN BLADE, 22" (M1, M2)
31	0131M00753	MOTOR, 1/6HP, 1SP, 8PL, AL (M1, M2)
31	0131M00951	Motor, OD, PSC, 1/4 HP (M3)
41	0152G00003	FAN GRILLE
61	M0221817	SMALL SCREW (QTY 4)
71	0163M00006P	ACORN NUT 5/16 HEX BLACK (QTY 4)
NS	0161G00016	CONDUIT PVC
NS	0259G00071	WIRE HARNESS, ELECTRIC HEAT

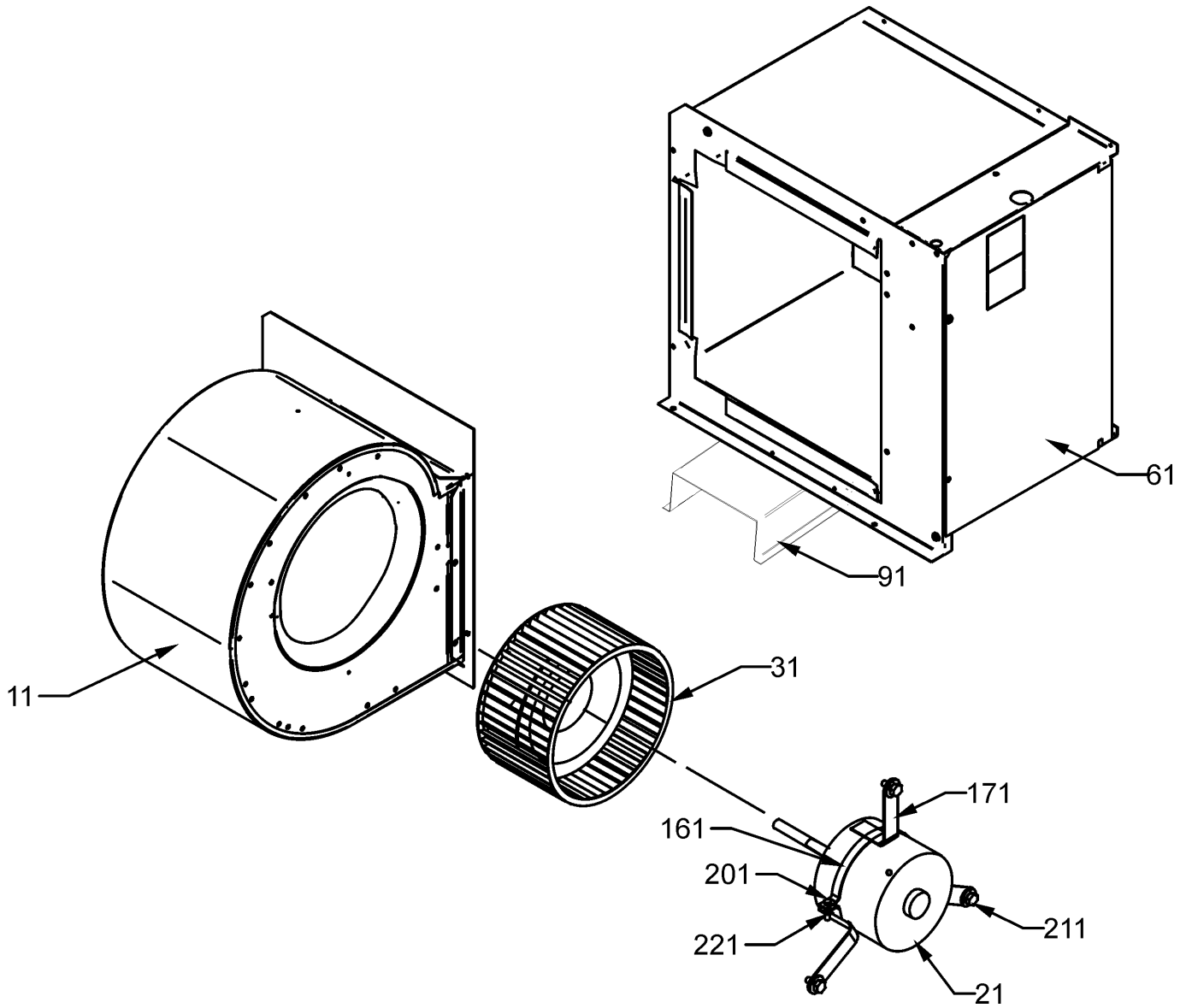
Image 2:

12	PCBDM133	DEFROST CONTROL BOARD
22	PCBEM102	PCB, ECM PRIMARY, VSTB
32	0130M00138	TRANSFORMER 208/230, 24V
42	CONT1P025024V	CONTACTOR 25 AMP, 1P, 24V
52	CAP050400440CT	CAPACITOR 5/40/440V/DUAL RD (M1, M2)
52	CAP050450440CT	CAPACITOR 5/45/440V/DUAL RD (M3)
62	20520901	CAPACITOR STRAP
NS	B1378701	HIGH VOLTAGE WIRE HARNESS
NS	B1378700	LOW VOLTAGE WIRE HARNESS

Expanded Model Nomenclature

M1 - DP16HH2441AC
M2 - DP16HH3041AC
M3 - DP16HH3641BB

Blower Assembly



Blower Assembly

Ref. Part No:	No:	Description:	Ref. Part No:	No:	Description:
---------------	-----	--------------	---------------	-----	--------------

Image 1:

11	10324248	HSG WELD- 10X8 BWR
21	0131M00682	PROGRAMMED EON MOTOR 1/2 HP (M1)
21	0131M00683	PROGRAMMED EON MOTOR 1/2 HP (M2)
21	0131M00684	PROGRAMMED EON MOTOR 1/2 HP (M3)
31	B1368016	BLOWER WHEEL 10 X 8
61	0121G00726	PL, HK COVER
91	0121G00040P	BLOWER SUPPORT
NS	C6121810	BLOWER CUT-OFF

Image 2:

162	0121M00038	MOTOR MOUNT BAND
172	B1376853	MOTOR MOUNT ARM (QTY 3)
202	B1393800	LOCKNUT, NYLON, INSERT 1/4, 20
212	M0250565	TC SCREW 1.25" (QTY 3)
222	B1393323	MACHINE SCREW HWH 1/4-20 X 1-1/2 BZ

Expanded Model Nomenclature

M1 - DP16HH2441AC
M2 - DP16HH3041AC
M3 - DP16HH3641BB