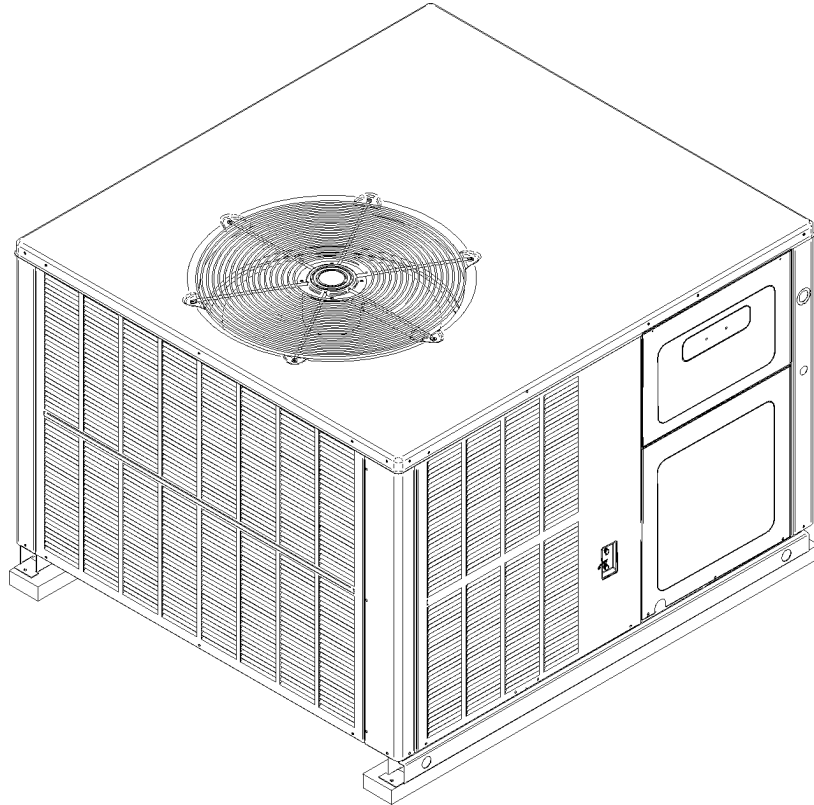


DP15HM Package Heat Pump Units Single Phase

DP15HM2441AA
DP15HM3041AA
DP15HM3641AA
DP15HM4241AA
DP15HM4841AA
DP15HM6041AA



This manual is to be used by qualified technicians only.

This manual replaces RP-D3005.

© 2013-2014 **DAIKIN COMPANY, L.P.** ♦ 5151 San Felipe St., Suite 500 ♦ Houston, TX 77056

Important Information

Index

Functional Parts List	3
Illustration and Parts	4 - 11

Views shown are for parts illustrations only, not servicing procedures

Rev A: updates next generation EON motor to replace ECM2.3 motor
6-12-14: Adding Compressor Solenoid Cable part #.

Text Codes:

AR - As Required

NA - Not Available

NS - Not Shown

00000000 - See Note

QTY - Quantity Example (QTY 3) (If Quantity not shown, Quantity = 1)

M - Model Example (M1) (If M Code not shown, then part is used on all Models)

Expanded Model Nomenclature:

Example M1 - Model#1 M2 - Model#2 M3 - Model#3

Daikin Company, L.P. is not responsible for personal injury or property damage resulting from improper service. Review all service information before beginning repairs.

Warranty service must be performed by an authorized technician, using authorized factory parts. If service is required after the warranty expires, Daikin Company, L.P. also recommends contacting an authorized technician and using authorized factory parts.

Daikin Company, L.P. reserves the right to discontinue, or change at any time, specifications or designs without notice or without incurring obligations.

For assistance within the U.S.A. contact:

Consumer Affairs Department
Daikin North America, LLC
7401 Security Way
Houston, Texas 77040
855-770-5678-Telephone
713-863-2382-Facsimile

For assistance outside the U.S.A. contact:

International Division
Daikin North America, LLC
7401 Security Way
Houston, Texas 77040
713-861-2500-Telephone
713-863-2382-Facsimile

Functional Parts

Part

No: Description:

0130M00025	24V RELAY (M5, M6)
D6723303S	BLOWER WHEEL
CAP100400440CT	CAP, 10/40 MFD, 440V/ DUAL RD (M6)
CAP050400440RTP	CAP, 5/40 MFD/440V/DUAL RD (M1, M2)
CAP050450440RTP	CAP, 5/45 MFD/440V/DUAL RD (M3, M4)
CAP050300440RS	CAPACITOR 5/30/440V (M5)
ZPS51K5EPFV130	COMP, 51900/208/230/60/1 (M6)
ZP34K5EPFV130	COMP,34500,208/230/60/1 (M4)
ZPS40K5EPFV130	COMP,41100,208/230/60/1 (M5)
ZP21K5EPFV130	COMPRESSOR 21300, 208/230/60/1 (M1)
ZP25K5EPFV130	COMPRESSOR 25200, 208/230/60/1 (M2)
ZP31K5EPFV130	COMPRESSOR 31100, 208/230/60/1 (M3)
0131M00061	COND MOTOR 1/4 HP, 1 SP, 8 PL (M1, M2, M3)
CONT1P025024V	CONTACTOR 25 AMP, 1P, 24V (M1, M2, M3)
CONT1P030024V	CONTACTOR 30 AMP, 1P, 24V (M4)
CONT2P040024V	CONTACTOR 40 AMP, 2P, 24V (M5, M6)
0130M00102	CONTROL, DEFROST
0130M00106	CONTROL,DEFROST (M3, M4, M5, M6)
0130L00017	CRANK CASE HEATER-70W 240V (M6)
PCBDM133	DEFROST CONTROL BOARD
0150G00002	FAN BLADE-SWEPT WING
0163R00003	HEATER, CRANKCASE 230V 40W (M4, M5)
0163R00002	HEATER, CRANKCASE 230V, 40W (M3)
0130M00074	HIGH PRESSURE SWITCH (M1, M2, M3)
0130M00075	LOW PRESSURE SWITCH
0131M00430	MOTOR, 1/3 HP, 1 SP, 6 PL (M6)
0131M00429	MOTOR, 1/4 HP, 1 SP, 6 PL (M4, M5)
0131M00637	MOTOR-1 HP PROGRAMMED EON (M6)
0131M00632	MOTOR-1/2 HP PROGRAMMED EON (M2, M3)
0131M00633	MOTOR-1/2 HP PROGRAMMED EON (M1)
0131M00635	MOTOR-3/4 HP PROGRAMMED EON (M4, M5)
PCBEM102	PCB, ECM PRIMARY, VSTB
0151M00021	REVERSING VALVE (M3, M4, M5, M6)
0151M00019	REVERSING VALVE (M1, M2)
B1225022	SOLENOID COIL
0130M00138	TRANSFORMER, 208/230, 24V
0151G00003	VALVE, TXV R-410A (M1, M2)
0151M00030	VALVE-TXV (M5, M6)
0151M00029	VALVE-TXV (M3)

Expanded Model Nomenclature

- | |
|-------------------|
| M1 - DP15HM2441AA |
| M2 - DP15HM3041AA |
| M3 - DP15HM3641AA |
| M4 - DP15HM4241AA |
| M5 - DP15HM4841AA |
| M6 - DP15HM6041AA |

Cabinet Assembly

Image 1

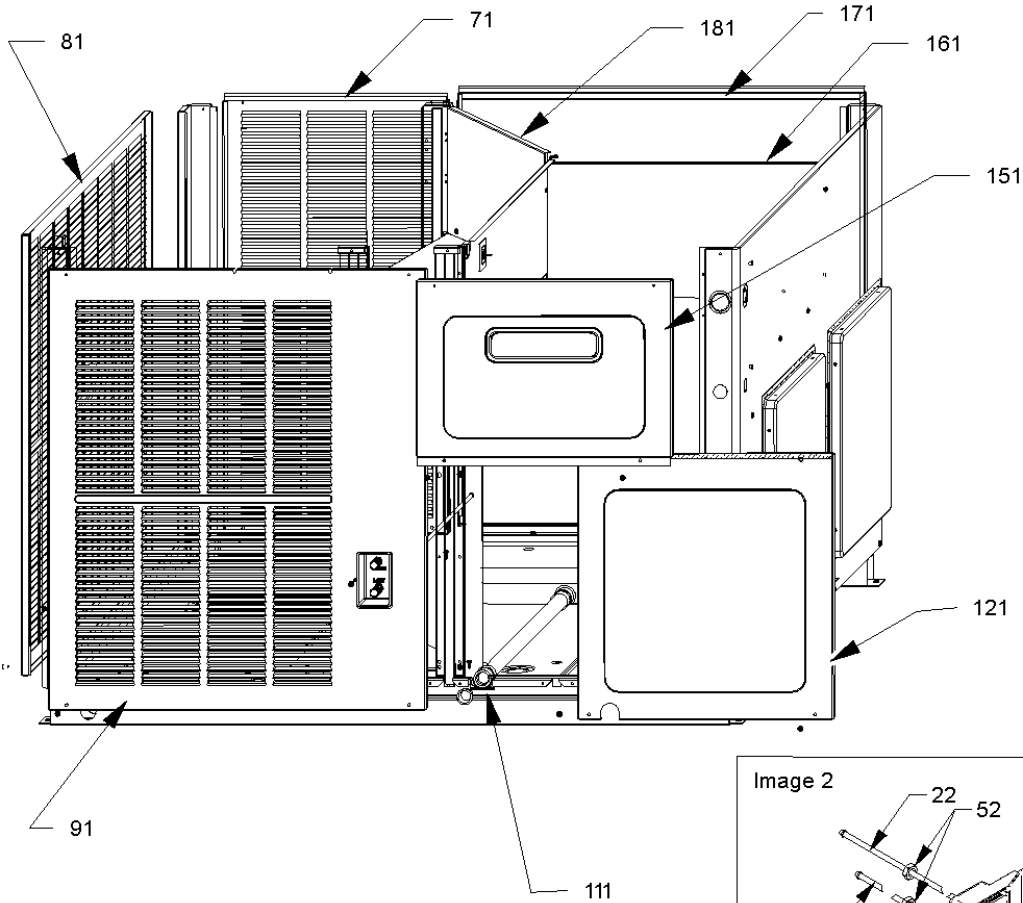
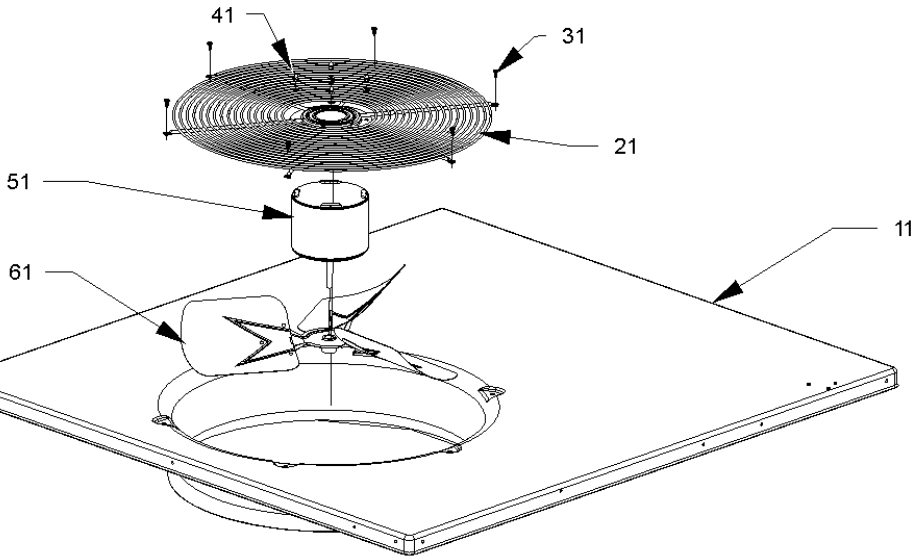
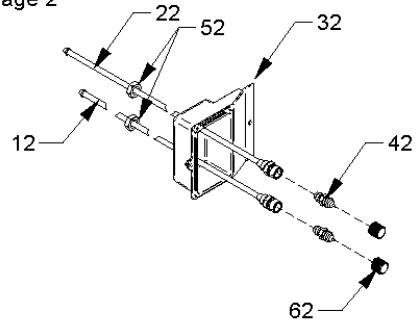


Image 2



Cabinet Assembly

Ref. Part No: No:	Description:	Ref. Part No: No:	Description:
-------------------	--------------	-------------------	--------------

Image 1:

11	0121G00156NG	PNL, TOP, PNT
21	0152G00000	FAN GRILLE, RAISED
31	B1393530	SCREW HWH,10 X 1/2, A, YZD, SLOT, SR (QTY 2)
31	M0221817	SMALL SCREW (QTY 9)
41	0163M00006P	ACORN NUT 5/16 HEX BLACK (QTY 4)
51	0131M00061	COND MOTOR 1/4 HP, 1 SP, 8 PL (M1, M2, M3)
51	0131M00430	MOTOR, 1/3 HP, 1 SP, 6 PL (M6)
51	0131M00429	MOTOR, 1/4 HP, 1 SP, 6 PL (M4, M5)
61	0150G00002	FAN BLADE-SWEPT WING
71	20467701NG	LOUVERED PANEL, COND SIDE 32" (M1, M2, M3)
71	20467702NG	LOUVERED PANEL, COND SIDE 40" (M4, M5, M6)
81	20464401NG	LOUVERED PANEL, COND SIDE 32" (M1, M2, M3)
81	20464402NG	LOUVERED PANEL, COND SIDE 40" (M4, M5, M6)
91	0121G00146NG	LVR, COMP, 4BANK, CNVRT, 32.5" (M1, M2, M3)
91	0121G00224NG	LVR, COMP, 4BANK, CNVRT, 40" (M4, M5, M6)
111	0261G00000	DRAIN PIPE
121	0121G00165NG	PNL, BLO, CNVRT, 32.5", PNT (M1, M2, M3)
121	0121G00168NG	PNL, BLO, CNVRT, 40" PNT (M4, M5, M6)
151	0121G00137	PL, LV BARRIER
161	0121G00158	EVAP BLOCK-OFF 32.5" (M1, M2, M3)
161	0121G00159	EVAP BLOCK-OFF 40" (M4, M5, M6)
171	20464801NG	DOOR -BLOWER 32, PNT (M1, M2, M3)
171	20464806NG	DOOR-BLOWER 40, PNT (M4, M5, M6)
181	0221G00013P	FAN SHROUD
NS	0121G00235	FAN BAFFLE
NS	17788000083F	PVC CONDUIT 8.25"

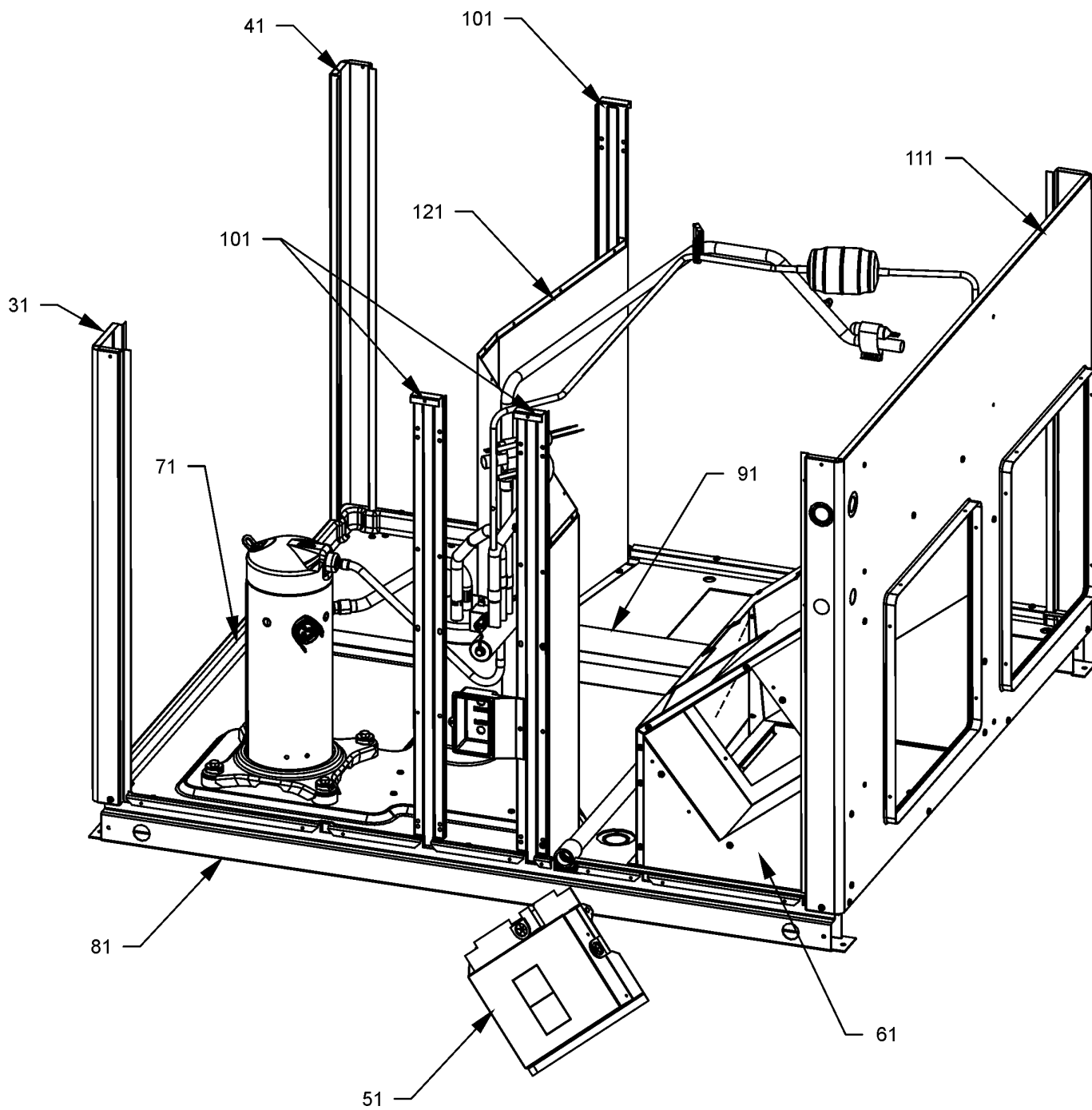
Image 2:

12	0210G00031P	PROCESS TUBE ASSY-SUCTION
22	0210G00392	PROCESS TUBING ASSY (M4, M5, M6)
22	0210G00482	PROCESS TUBING ASSY (M1, M2, M3)
32	0161G00008	ACCESS-FITTING BOX
42	B1373315	ACCESS FITTING (QTY 2)
52	0163G00000P	FASTEST FITTING NUT (QTY 2)
62	0163M00175	CAP WITH O-RING (QTY 2)

Expanded Model Nomenclature

- | |
|-------------------|
| M1 - DP15HM2441AA |
| M2 - DP15HM3041AA |
| M3 - DP15HM3641AA |
| M4 - DP15HM4241AA |
| M5 - DP15HM4841AA |
| M6 - DP15HM6041AA |

Panels and Supports



Panels and Supports

Ref. Part No: No:	Description:	Ref. Part No: No:	Description:
-------------------	--------------	-------------------	--------------

Image 1:

31	20464201NG	CORNER POST-COMP END 32" (M1, M2, M3)
31	20464202NG	CORNER POST-COMP END 40" (M4, M5, M6)
41	20464301NG	CORNER POST-HAIRPIN END 32" (M1, M2, M3)
41	20464302NG	CORNER POST-HAIRPIN END 40" (M4, M5, M6)
51	0121G00528	HEATER KIT COVER (QTY 2)
61	0221G00014	BLOWER TRANSITION ASSY
71	0121G00290	BASE PAN RAIL (QTY 2)
81	0121G00444	BASEPAN, PACKAGE
91	0161G00003	PLASTIC DRIP PAN
101	0121G00460	POST-SUPPORT, SIDE (M1, M2, M3)
101	0121G00462	POST-SUPPORT, SIDE (M4, M5, M6)
111	0121G00440NG	PNL, DUCT, CNVRT 32.5",PNT (M1, M2, M3)
111	0121G00441NG	PNL, DUCT, CNVRT 40", PNT (M4, M5, M6)
121	0121G00510	PARTITION, 32.5" (M1, M2, M3)
121	0121G00549	PARTITION, 40" (M4, M5, M6)
NS	0121G00158	EVAP BLOCK-OFF 32.5" (M1, M2, M3)
NS	0121G00159	EVAP BLOCK-OFF 40" (M4, M5, M6)

Expanded Model Nomenclature

M1 - DP15HM2441AA
M2 - DP15HM3041AA
M3 - DP15HM3641AA
M4 - DP15HM4241AA
M5 - DP15HM4841AA
M6 - DP15HM6041AA

Tubing / Coil Assemblies

Image 1

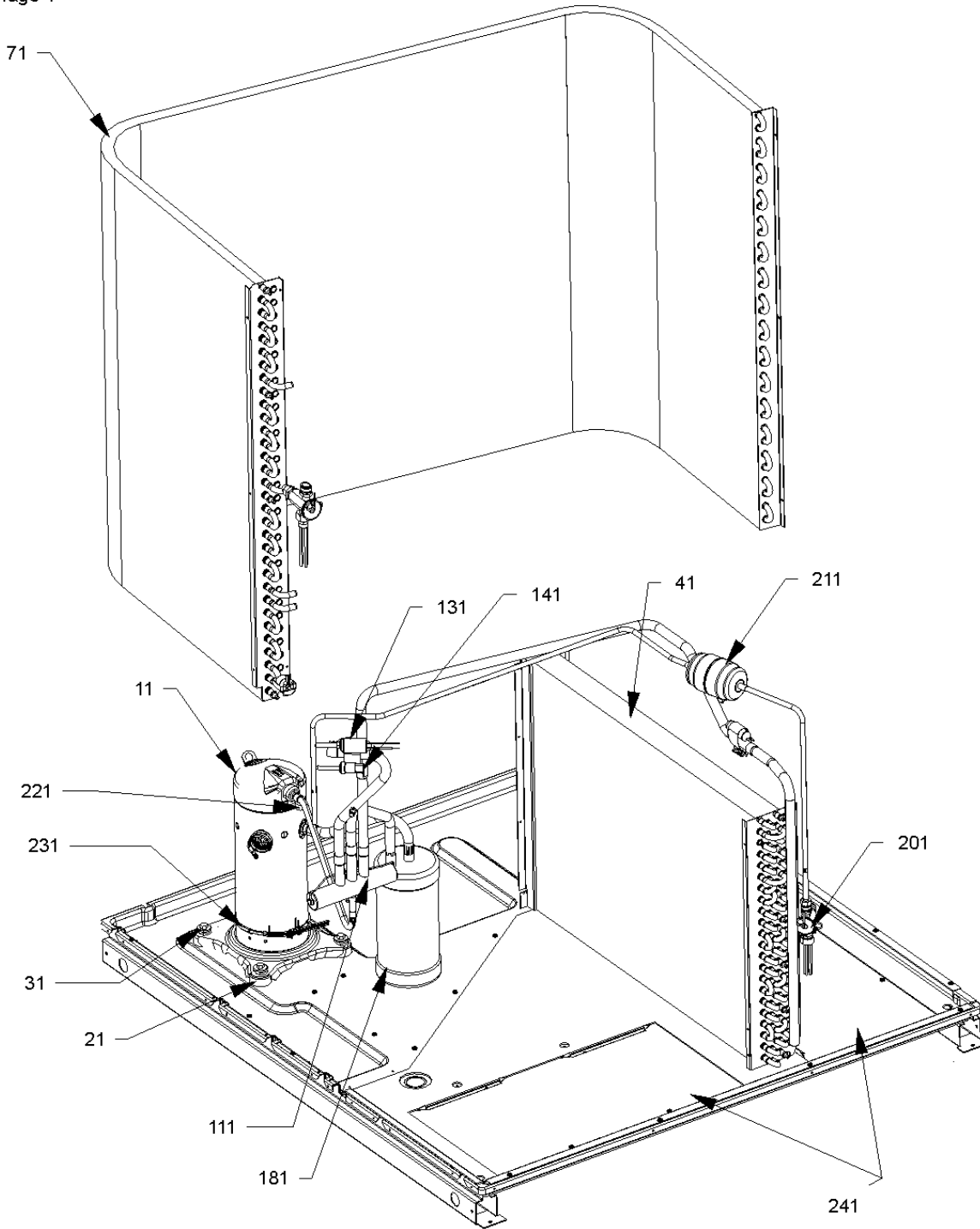
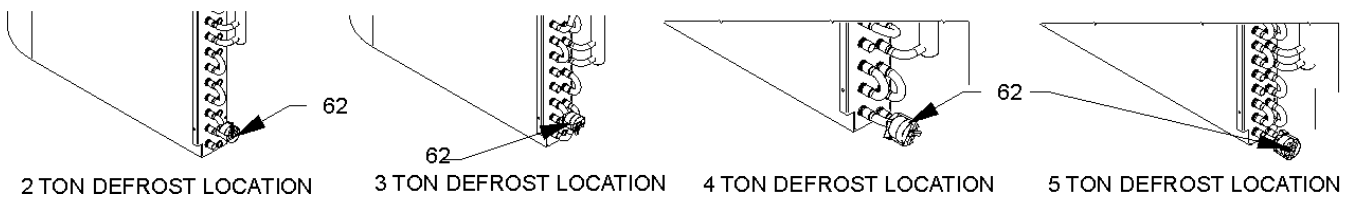


Image 2



Tubing / Coil Assemblies

Ref. Part No: No:	Description:	Ref. Part No: No:	Description:
-------------------	--------------	-------------------	--------------

Image 1:

11	ZPS51K5EPFV130	COMP, 51900/208/230/60/1 (M6)
11	ZP34K5EPFV130	COMP,34500,208/230/60/1 (M4)
11	ZPS40K5EPFV130	COMP,41100,208/230/60/1 (M5)
11	ZP21K5EPFV130	COMPRESSOR 21300, 208/230/60/1 (M1)
11	ZP25K5EPFV130	COMPRESSOR 25200, 208/230/60/1 (M2)
11	ZP31K5EPFV130	COMPRESSOR 31100, 208/230/60/1 (M3)
21	B1339533	COMPRESSOR GROMMET (QTY 4)
31	M0221641	TF SHOULDER SCREW (QTY 4)
41	0202G00408	EVAP COIL ASSY (M1, M2)
41	0202G00409	EVAP COIL ASSY (M3)
41	0202G00410	EVAP COIL ASSY (M4)
41	0202G00411	EVAP COIL ASSY (M5, M6)
61	0130M00102	CONTROL, DEFROST
71	0201G00277	COND COIL ASSY (M3)
71	0201G00316	COND COIL ASSY (M5, M6)
71	0201G00317	COND COIL ASSY (M1)
71	0201G00318	COND COIL ASSY (M2)
71	0201G00319	COND COIL ASSY (M4)
111	0151M00019	REVERSING VALVE (M1, M2)
111	0151M00021	REVERSING VALVE (M3, M4, M5, M6)
131	0130M00074	HIGH PRESSURE SWITCH (M1, M2, M3)
141	0130M00075	LOW PRESSURE SWITCH
181	B1226206	ACCUMULATOR (M1, M2)
181	B1226207	ACCUMULATOR .875 (M3, M4, M5, M6)
201	0151G00003	VALVE, TXV R-410A (M1, M2)
201	0151M00029	VALVE-TXV (M3)
201	0151M00030	VALVE-TXV (M5, M6)
211	20485201	BI-FLOW FILTER DRIER
221	0230G00005	CRANKCASE HEATER SWITCH (M3, M4, M5, M6)
231	0130L00017	CRANK CASE HEATER-70W 240V (M6)
231	0163R00003	HEATER, CRANKCASE 230V 40W (M4, M5)
231	0163R00002	HEATER, CRANKCASE 230V, 40W (M3)
241	0121G00148	SINGLE COVER, DOWN DISCHARGE (QTY 2)
NS	0159G00002	COMPRESSOR SCROLL HARNESS (M1, M2, M3)
NS	0159G00004	COMPRESSOR SCROLL HARNESS (M4, M5, M6)
NS	0159G00001	COMPRESSOR SOLENOID CABLE (M5, M6)
NS	B1488806	COMPRESSOR SOUND BLANKET (M4, M5, M6)
NS	B1488807	COMPRESSOR SOUND BLANKET (M1, M2, M3)
NS	0130M00106	CONTROL,DEFROST (M3, M4, M5, M6)
NS	B1225022	SOLENOID COIL

Expanded Model Nomenclature

M1 - DP15HM2441AA
M2 - DP15HM3041AA
M3 - DP15HM3641AA
M4 - DP15HM4241AA
M5 - DP15HM4841AA
M6 - DP15HM6041AA

Control Panel / Blower Assembly

Image 1

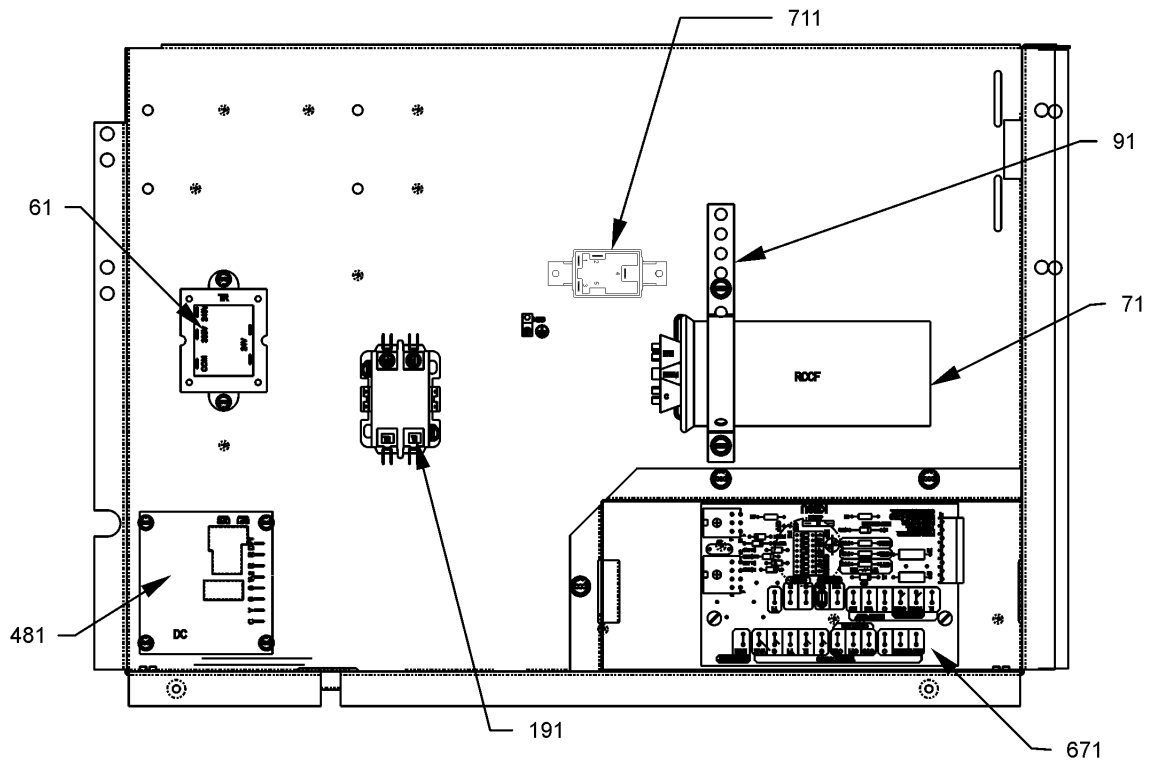
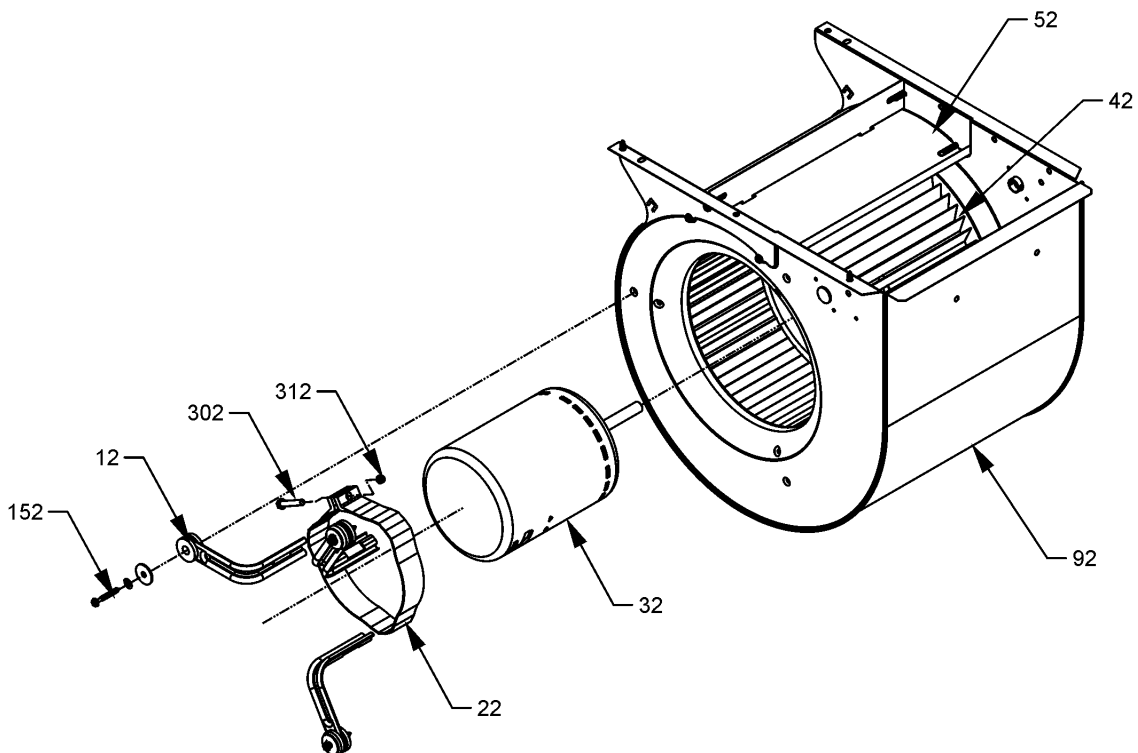


Image 2



Control Panel / Blower Assembly

Ref. Part No:	Description:	Ref. Part No:	Description:
---------------	--------------	---------------	--------------

Image 1:

61	0130M00138	TRANSFORMER, 208/230, 24V
71	CAP100400440CT	CAP, 10/40 MFD, 440V/ DUAL RD (M6)
71	CAP050400440RTP	CAP, 5/40 MFD/440V/DUAL RD (M1, M2)
71	CAP050450440RTP	CAP, 5/45 MFD/440V/DUAL RD (M3, M4)
71	CAP050300440RS	CAPACITOR 5/30/440V (M5)
91	20520901	CAPACITOR STRAP
191	CONT1P025024V	CONTACTOR 25 AMP, 1P, 24V (M1, M2, M3)
191	CONT1P030024V	CONTACTOR 30 AMP, 1P, 24V (M4)
191	CONT2P040024V	CONTACTOR 40 AMP, 2P, 24V (M5, M6)
481	PCBDM133	DEFROST CONTROL BOARD
671	PCBEM102	PCB, ECM PRIMARY, VSTB
711	0130M00025	24V RELAY (M5, M6)
NS	0259G00071	WIRE HARNESS, ELECTRIC HEAT
NS	B1378701	WIRE HARNESS, HIGH VOLTAGE (5-PIN ECM)
NS	B1378700	WIRE HARNESS, LOW VOLTAGE (16-PIN ECM)

Image 2:

12	B1376857	MOTOR MOUNT ARM (QTY 3)
22	0121M00038	MOTOR MOUNT BAND
32	0131M00637	MOTOR-1 HP PROGRAMMED EON (M6)
32	0131M00632	MOTOR-1/2 HP PROGRAMMED EON (M2, M3)
32	0131M00633	MOTOR-1/2 HP PROGRAMMED EON (M1)
32	0131M00635	MOTOR-3/4 HP PROGRAMMED EON (M4, M5)
42	D6723303S	BLOWER WHEEL
52	764742	BLOWER BLOCK-OFF
92	0271G00024	BLOWER HOUSING ASSY 10 X 9
152	M0250565	TC SCREW 1.25" (QTY 5)
302	B1393323	MACHINE SCREW HWH 1/4-20 X 1-1/2 BZ
312	B1393800	LOCKNUT, NYLON, INSERT 1/4, 20

Expanded Model Nomenclature

- | |
|-------------------|
| M1 - DP15HM2441AA |
| M2 - DP15HM3041AA |
| M3 - DP15HM3641AA |
| M4 - DP15HM4241AA |
| M5 - DP15HM4841AA |
| M6 - DP15HM6041AA |