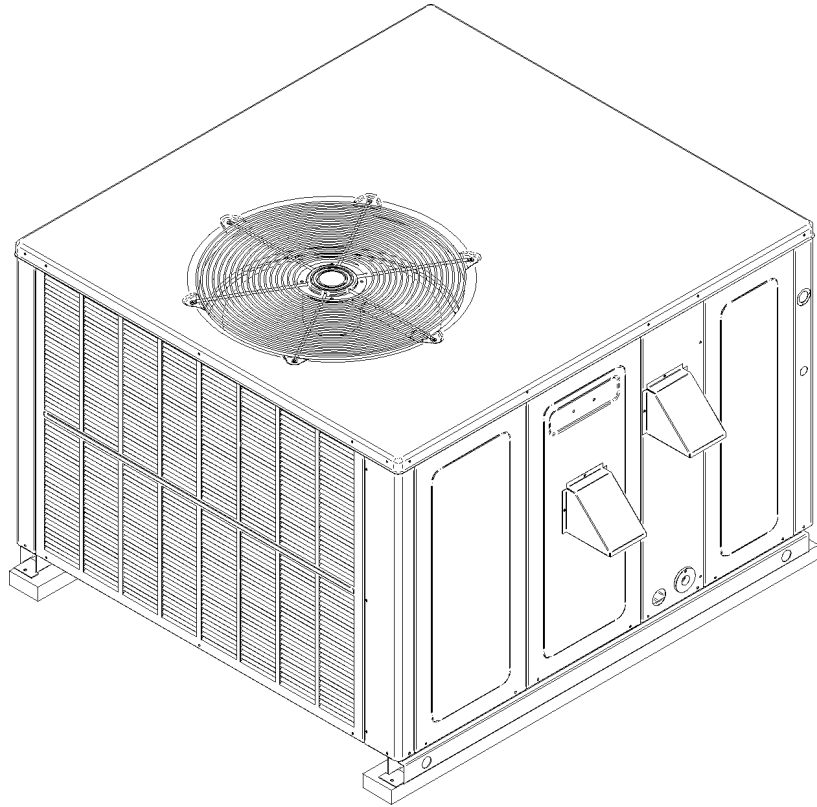


DP15GM Package Gas Units Single Phase

DP15GM2407041AA
DP15GM3009041AA
DP15GM3609041AA
DP15GM4211541AA
DP15GM4811541AA
DP15GM6014041AA



This manual is to be used by qualified technicians only.

© 2013 Daikin Company, L.P. ♦ 5151 San Felipe St., Suite 500 ♦ Houston, TX 77056

Important Information

Index

Functional Parts List	3
Illustration and Parts	4 - 15

Views shown are for parts illustrations only, not servicing procedures

Introduction of Daikin branded products.
6-12-14: Addition of compressor solenoid cable.

Text Codes:

- AR - As Required
- NA - Not Available
- NS - Not Shown
- 00000000 - See Note
- QTY - Quantity Example (QTY 3) (If Quantity not shown, Quantity = 1)
- M - Model Example (M1) (If M Code not shown, then part is used on all Models)

Expanded Model Nomenclature:

Example
M1 - Model#1
M2 - Model#2
M3 - Model#3

Daikin Company, L.P. is not responsible for personal injury or property damage resulting from improper service. Review all service information before beginning repairs.

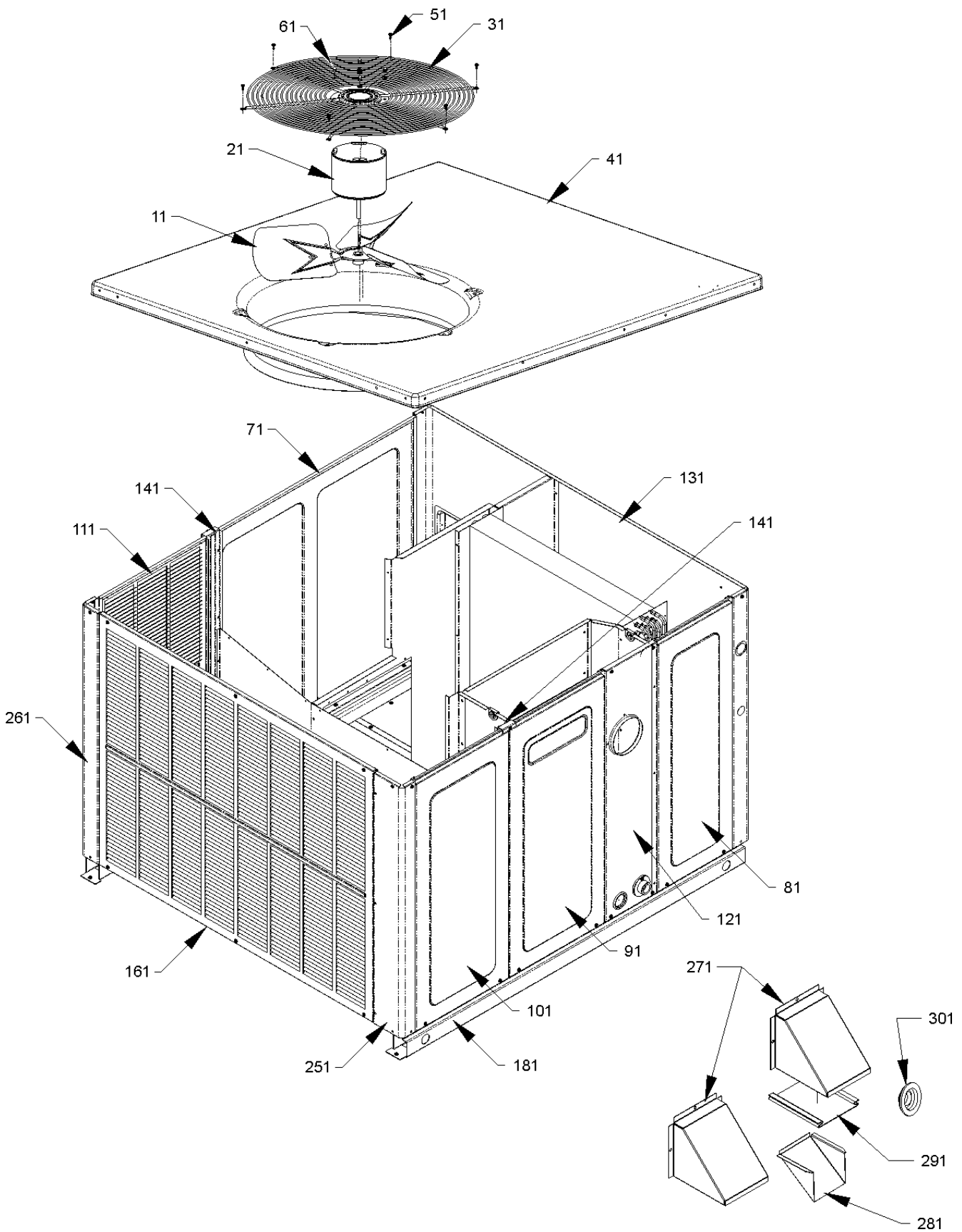
Warranty service must be performed by an authorized technician, using authorized factory parts. If service is required after the warranty expires, Daikin Company, L.P. also recommends contacting an authorized technician and using authorized factory parts.

Daikin Company, L.P. reserves the right to discontinue, or change at any time, specifications or designs without notice or without incurring obligations.

For assistance within the U.S.A. contact:
Consumer Affairs Department
Daikin North America, LLC
7401 Security Way
Houston, Texas 77040
855-770-5678-Telephone
713-863-2382-Facsimile

For assistance outside the U.S.A. contact:
International Division
Daikin North America, LLC
7401 Security Way
Houston, Texas 77040
713-861-2500-Telephone
713-863-2382-Facsimile

Top Panel/Fan/Cabinet



Functional Parts

Part

No: Description:

20269903	AUXILIARY LIMIT, AUTO RESET (M2, M3, M4, M5, M6)
D6723303	BLOWER WHEEL (M2, M3)
B1368058	BLOWER WHEEL 10 X 8 (M1)
B1368000	BLOWER WHEEL 11 X 10 (M4, M5, M6)
CAP050350440RS	CAPACITOR 5/35/440V (M1)
CAP050400440RT	CAPACITOR 5/40/440V (M2, M6)
CAP050450440RT	CAPACITOR 5/45/440V (M3, M4, M5)
ZPS51K5EPFV130	COMP, 51900/208/230/60/1 (M6)
ZP20K5EPFV130	COMP, 20000, 208/230/60/1 (M1)
ZP34K5EPFV130	COMP, 34500, 208/230/60/1 (M4)
ZP25K5EPFV130	COMPRESSOR 25200, 208/230/60/1 (M2)
ZP31K5EPFV130	COMPRESSOR 31100, 208/230/60/1 (M3)
ZP39K5EPFV130	COMPRESSOR 39000, 208/230/60/1 (M5)
0131M00429	COND MOTOR 1/4 HP, 1 SP, 6 PL (M4, M5, M6)
0131M00061	COND MOTOR 1/4 HP, 1 SP, 8 PL (M2, M3)
0131M00009P	COND MOTOR 1/6 HP, 1 SP, 8 PL (M1)
CONT1P025024V	CONTACTOR 25 AMP, 1P, 24V (M1, M2, M3)
CONT1P030024V	CONTACTOR 30 AMP, 1P, 24V (M4, M5)
CONT2P040024V	CONTACTOR 40 AMP, 2P, 24V (M6)
B1086773	FAN BLADE 22" (M1)
0150G00003	FAN BLADE SWEPT-WING (M4, M5, M6)
0150G00002	FAN BLADE-SWEPT WING (M2, M3)
0130F00010	FLAME SENSOR
0151F00000P	GAS VALVE - WHITE-RODGERS 2-STAGE
0130M00074	HIGH PRESSURE SWITCH
0130F00014	IGNITOR
10728344	LIMIT SWITCH (M4, M5)
10728343	LIMIT SWITCH (M1, M2, M3, M6)
0130M00087	LOW PRESSURE SWITCH
10123529	MANUAL RESET LIMIT
0131G00009	MOTOR, ID BLOWER
PCBAG127	PCB, IGNITION, DSI, 2 STG
11112501S	PRESSURE SWITCH (M1)
0131M00437	PROGRAMMED MOTOR (M3)
0131M00445	PROGRAMMED MOTOR (M1)
0131M00439	PROGRAMMED MOTOR (M5)
0131M00446	PROGRAMMED MOTOR (M2)
0131M00438	PROGRAMMED MOTOR (M4)
0131M00444	PROGRAMMED MOTOR (M6)
0130M00138	TRANSFORMER, 208/230, 24V

Expanded Model Nomenclature

M1 - DP15GM2407041AA
M2 - DP15GM3009041AA
M3 - DP15GM3609041AA
M4 - DP15GM4211541AA
M5 - DP15GM4811541AA
M6 - DP15GM6014041AA

Top Panel/Fan/Cabinet

Ref. Part No: No:	Description:	Ref. Part No: No:	Description:
-------------------	--------------	-------------------	--------------

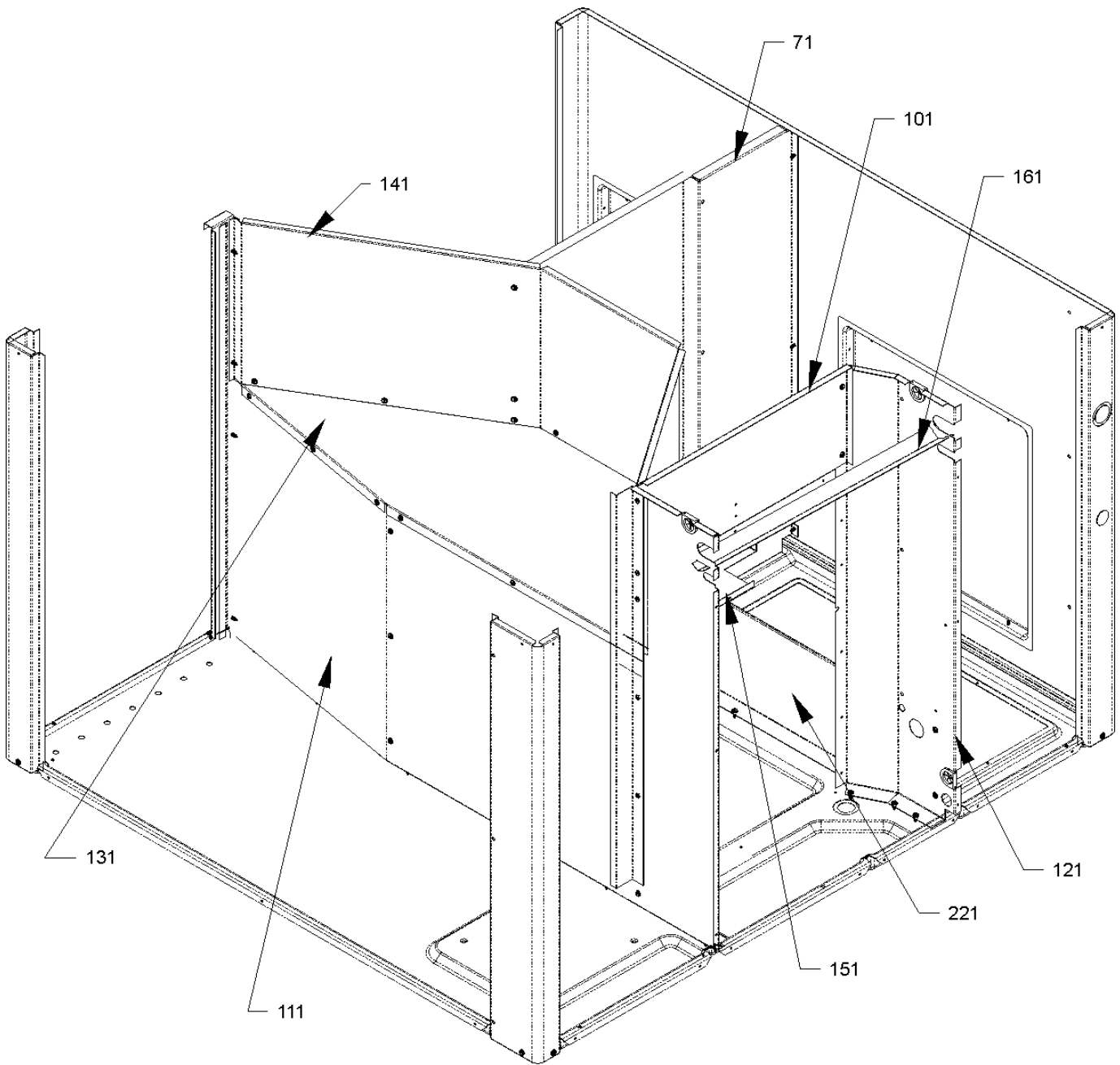
Image 1:

11	B1086773	FAN BLADE 22" (M1)
11	0150G00003	FAN BLADE SWEPT-WING (M4, M5, M6)
11	0150G00002	FAN BLADE-SWEPT WING (M2, M3)
21	0131M00429	COND MOTOR 1/4 HP, 1 SP, 6 PL (M4, M5, M6)
21	0131M00061	COND MOTOR 1/4 HP, 1 SP, 8 PL (M2, M3)
21	0131M00009P	COND MOTOR 1/6 HP, 1 SP, 8 PL (M1)
31	0152G00002	GRILLE-FAN
41	0121G00156NG	PNL, TOP, PNT
51	M0221817	SMALL SCREW (QTY 6)
61	0163M00006P	ACORN NUT 5/16 HEX BLACK (QTY 4)
71	20464801NG	BLOWER DOOR 32" (M1, M2, M3)
71	20464806NG	BLOWER DOOR 40" (M4, M5, M6)
81	20464802NG	EVAP/CONTROL DOOR 32" (M1, M2, M3)
81	20464807NG	EVAP/CONTROL DOOR 40" (M4, M5, M6)
91	0121G00526NG	HEAT EXCHANGER DOOR 32" (M1, M2, M3)
91	0121G00527NG	HEAT EXCHANGER DOOR 40" (M4, M5, M6)
101	20464804NG	DOOR-COMPRESSOR 32 W/PAINT (M1, M2, M3)
101	20464809NG	DOOR-COMPRESSOR 40 W/PAINT (M4, M5, M6)
111	0121G00465NG	PANEL-COND SIDE 32 (M1, M2, M3)
111	0121G00467NG	PANEL-COND SIDE 40, PNT (M4, M5, M6)
121	20466101NG	UTILITY PANEL 32" (M1, M2, M3)
121	20466102NG	UTILITY PANEL 40" (M4, M5, M6)
131	0121G00442NG	PNL, DUCT, GAS 32.5" (M1, M2, M3)
131	0121G00443NG	PNL, DUCT, GAS 40" (M4, M5, M6)
141	0121G00460	SUPPORT POST 32" (M1, M2, M3)
141	0121G00462	SUPPORT POST 40" (M4, M5, M6)
161	20464401NG	LOUVERED PANEL, COND SIDE 32" (M1, M2, M3)
161	20464402NG	LOUVERED PANEL, COND SIDE 40" (M4, M5, M6)
181	0121G00290	BASE PAN RAIL (QTY 2)
251	0121G00453NG	CORNER-POST COMP END, PNT (M1, M2, M3)
251	0121G00455NG	CORNER-POST COMP END, PNT (M4, M5, M6)
261	0121G00454NG	CORNER-POST HPIN END, PNT (M1, M2, M3)
261	0121G00456NG	CORNER-POST HPIN END, PNT (M4, M5, M6)
271	0121G00323	FLUE HOOD (QTY 2)
281	0121G00190	FLUE HOOD-LOWER
291	20472601	SCREEN-FLUE HOOD
301	B1910012	GAS LINE GROMMET
NS	0270G00070	FLUE HOOD ASSY
NS	17788000083F	PVC CONDUIT 8.25"
NS	0259G00041	WIRE HARNESS, FAN MOTOR (M1)
NS	0259G00088	WIRE HARNESS, FAN MOTOR (M4)
NS	0259G00089	WIRE HARNESS, FAN MOTOR (M2, M3)
NS	0259G00117	WIRE HARNESS, FAN MOTOR (M5, M6)

Expanded Model Nomenclature

M1 - DP15GM2407041AA
M2 - DP15GM3009041AA
M3 - DP15GM3609041AA
M4 - DP15GM4211541AA
M5 - DP15GM4811541AA
M6 - DP15GM6014041AA

Partition Panels



Partition Panels

Ref. Part No: No:	Description:	Ref. Part No: No:	Description:
-------------------	--------------	-------------------	--------------

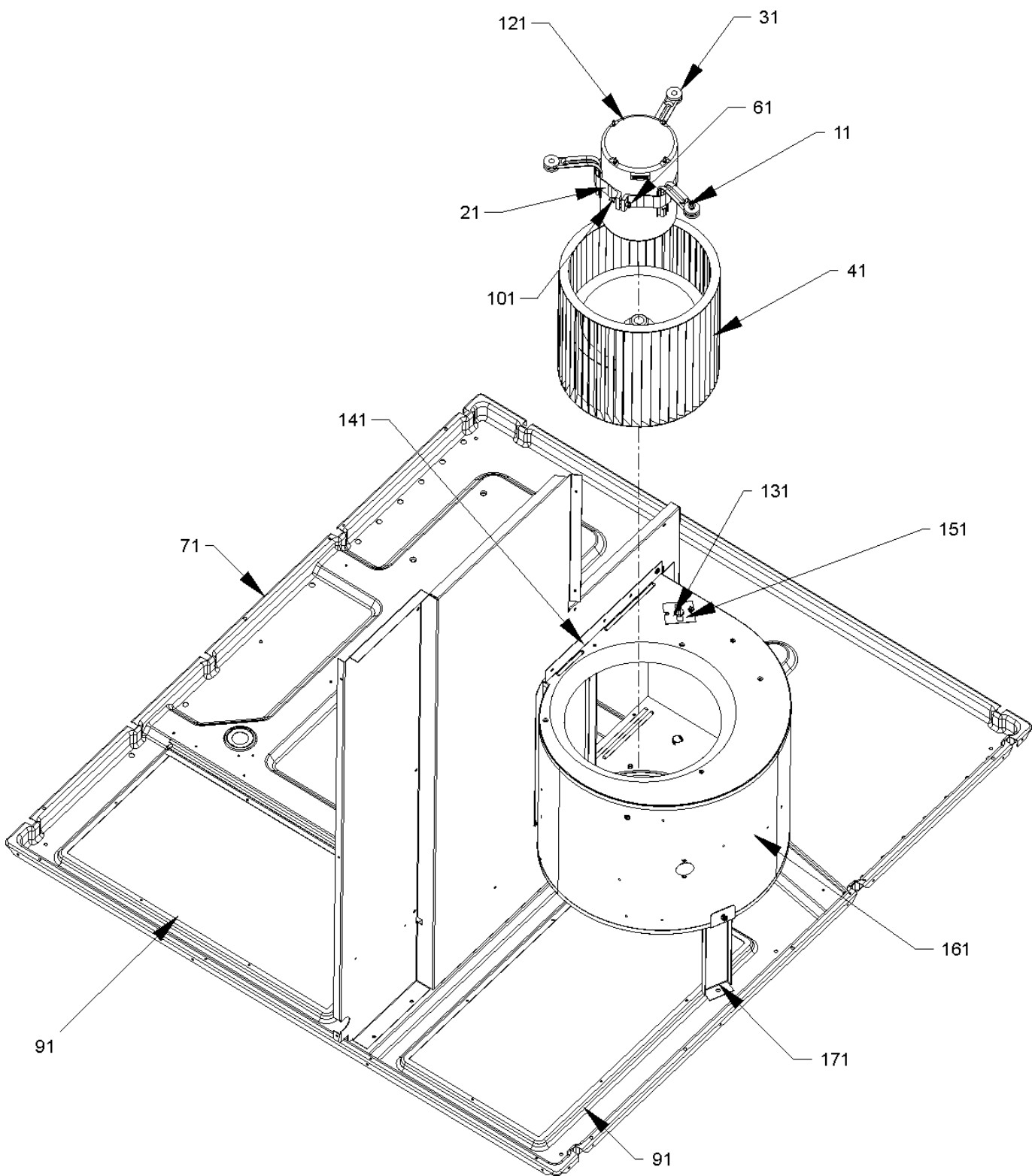
Image 1:

71	20465305	BLOWER DIVIDER (M1)
71	20465304	BLOWER DIVIDER 32" 10 X 9 (M2, M3)
71	0121G00177	BLOWER DIVIDER 38" (M4, M5, M6)
101	20465201	FILLER PANEL, HEAT EXCHANGER 32" (M1, M2, M3)
101	20465202	FILLER PANEL, HEAT EXCHANGER 40" (M4, M5, M6)
111	0121G00360	PNL, PTN, 32.5" (M1, M2, M3)
111	0121G00361	PNL, PTN, 40" (M4, M5, M6)
121	20465501	EVAP/HEAT EXCHANGER DIVIDER 32" (M1, M2, M3)
121	20465502	EVAP/HEAT EXCHANGER DIVIDER 38" (M4, M5, M6)
131	20465701	FAN PARTITION SHELF
141	20465801	FAN SURROUND 32" (M1, M2, M3)
141	20465802	FAN SURROUND 40" (M4, M5, M6)
151	20472501	SHIELD, HEAT EXCHANGER TUBES
161	20496801	DRAIN CHANNEL, SUCTION TUBE
221	20463802	EVAP/BASEPAN BLOCK 32" (M1, M2, M3)
221	20463801	EVAP/BASEPAN BLOCK 40" (M4, M5, M6)

Expanded Model Nomenclature

M1 - DP15GM2407041AA
M2 - DP15GM3009041AA
M3 - DP15GM3609041AA
M4 - DP15GM4211541AA
M5 - DP15GM4811541AA
M6 - DP15GM6014041AA

Basepan/Blower Assembly



Basepan/Blower Assembly

Ref. Part No: No:	Description:	Ref. Part No: No:	Description:
-------------------	--------------	-------------------	--------------

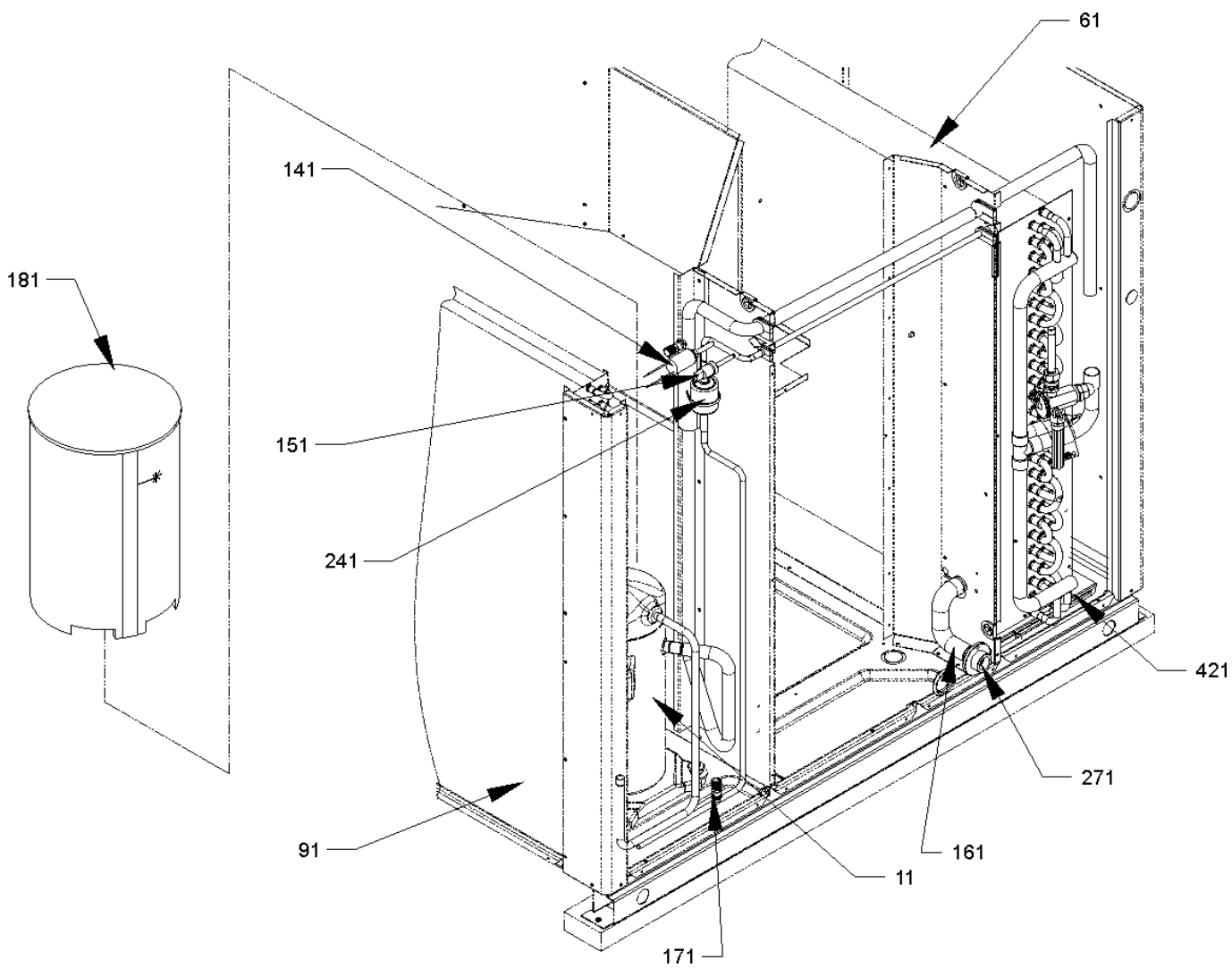
Image 1:

11	M0250565	TC SCREW 1.25" (QTY 3)
21	0121M00038	MOTOR MOUNT BAND
31	B1376857	MOTOR MOUNT ARM (QTY 3)
41	D6723303	BLOWER WHEEL (M2, M3)
41	B1368058	BLOWER WHEEL 10 X 8 (M1)
41	B1368000	BLOWER WHEEL 11 X 10 (M4, M5, M6)
61	B1393323	MACHINE SCREW HWH 1/4-20 X 1-1/2 BZ
71	0121G00444	BASEPAN, PACKAGE
91	0121G00148	SINGLE COVER, DOWN DISCHARGE (QTY 2)
101	B1393800	LOCKNUT, NYLON, INSERT 1/4, 20
121	0131M00437	PROGRAMMED MOTOR (M3)
121	0131M00438	PROGRAMMED MOTOR (M4)
121	0131M00439	PROGRAMMED MOTOR (M5)
121	0131M00444	PROGRAMMED MOTOR (M6)
121	0131M00445	PROGRAMMED MOTOR (M1)
121	0131M00446	PROGRAMMED MOTOR (M2)
131	20269903	AUXILIARY LIMIT, AUTO RESET (M2, M3, M4, M5, M6)
151	2509503F	AUXILIARY LIMIT BRACKET (M2, M3, M4, M5, M6)
161	2539202	BLOWER SCROLL (M4, M5, M6)
161	2539207	BLOWER SCROLL (M2, M3)
161	2939203	BLOWER SCROLL (M1)
171	4322801	11 X 10 BLOWER SUPPORT LRG
NS	764742	BLOWER BLOCK-OFF (M2, M3)
NS	1864703F	BLOWER CUT-OFF (M4, M5, M6)
NS	764740	BLWR BLK-OFF,10X8 (M1)

Expanded Model Nomenclature

M1 - DP15GM2407041AA
M2 - DP15GM3009041AA
M3 - DP15GM3609041AA
M4 - DP15GM4211541AA
M5 - DP15GM4811541AA
M6 - DP15GM6014041AA

Compressor/Tubing Assembly



Compressor/Tubing Assembly

Ref. Part No: No:	Description:	Ref. Part No: No:	Description:
-------------------	--------------	-------------------	--------------

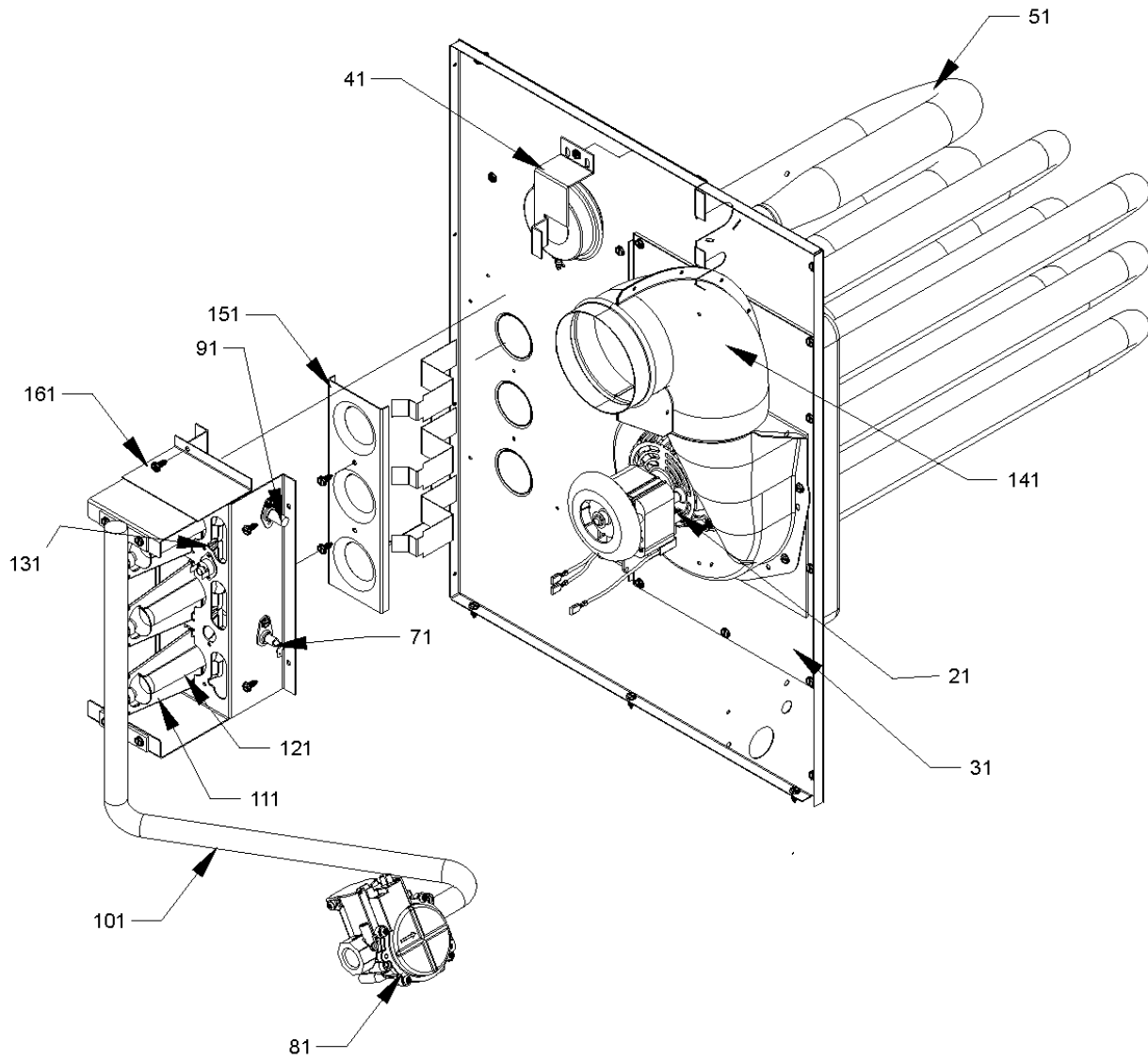
Image 1:

11	ZPS51K5EPFV130	COMP, 51900/208/230/60/1 (M6)
11	ZP20K5EPFV130	COMP,20000,208/230/60/1 (M1)
11	ZP34K5EPFV130	COMP,34500,208/230/60/1 (M4)
11	ZP25K5EPFV130	COMPRESSOR 25200, 208/230/60/1 (M2)
11	ZP31K5EPFV130	COMPRESSOR 31100, 208/230/60/1 (M3)
11	ZP39K5EPFV130	COMPRESSOR 39000, 208/230/60/1 (M5)
61	0202G00436	EVAP COIL ASSY (M1)
61	0202G00440	EVAP COIL ASSY (M6)
61	0202G00441	EVAP COIL ASSY (M2)
61	0202G00442	EVAP COIL ASSY (M3)
61	0202G00443	EVAP COIL ASSY (M4)
61	0202G00444	EVAP COIL ASSY (M5)
91	0201G00249	CONDENSER COIL ASSY (M1, M2)
91	0201G00252	CONDENSER COIL ASSY (M4, M5, M6)
91	0201G00262	CONDENSER COIL ASSY (M3)
141	0130M00074	HIGH PRESSURE SWITCH
151	0130M00087	LOW PRESSURE SWITCH
161	20498302	DRAIN TUBE 32" (M1, M2, M3)
161	20498301	DRAIN TUBE 40" (M4, M5, M6)
171	0163M00175	CAP WITH O-RING (QTY 2)
181	0160M00004	COMPRESSOR SOUND BLANKET (M1, M2, M3)
181	0160M00005	COMPRESSOR SOUND BLANKET (M4, M5, M6)
241	0162R00009	FILTER DRIER
271	20513001	EVAP DRAIN FITTING (M1, M2)
421	20464901DF	DRAIN PAN-EVAP COIL
NS	0159G00001	COMPRESSOR SOLENOID CABLE (M6)
NS	M0250565	TC SCREW 1.25" (QTY 3)
NS	M0221641	TF SHOULDER SCREW (QTY 4)

Expanded Model Nomenclature

M1 - DP15GM2407041AA
M2 - DP15GM3009041AA
M3 - DP15GM3609041AA
M4 - DP15GM4211541AA
M5 - DP15GM4811541AA
M6 - DP15GM6014041AA

Heat Exchange/Manifold/Gas Valve



Heat Exchange/Manifold/Gas Valve

Ref. Part No: No:	Description:	Ref. Part No: No:	Description:
-------------------	--------------	-------------------	--------------

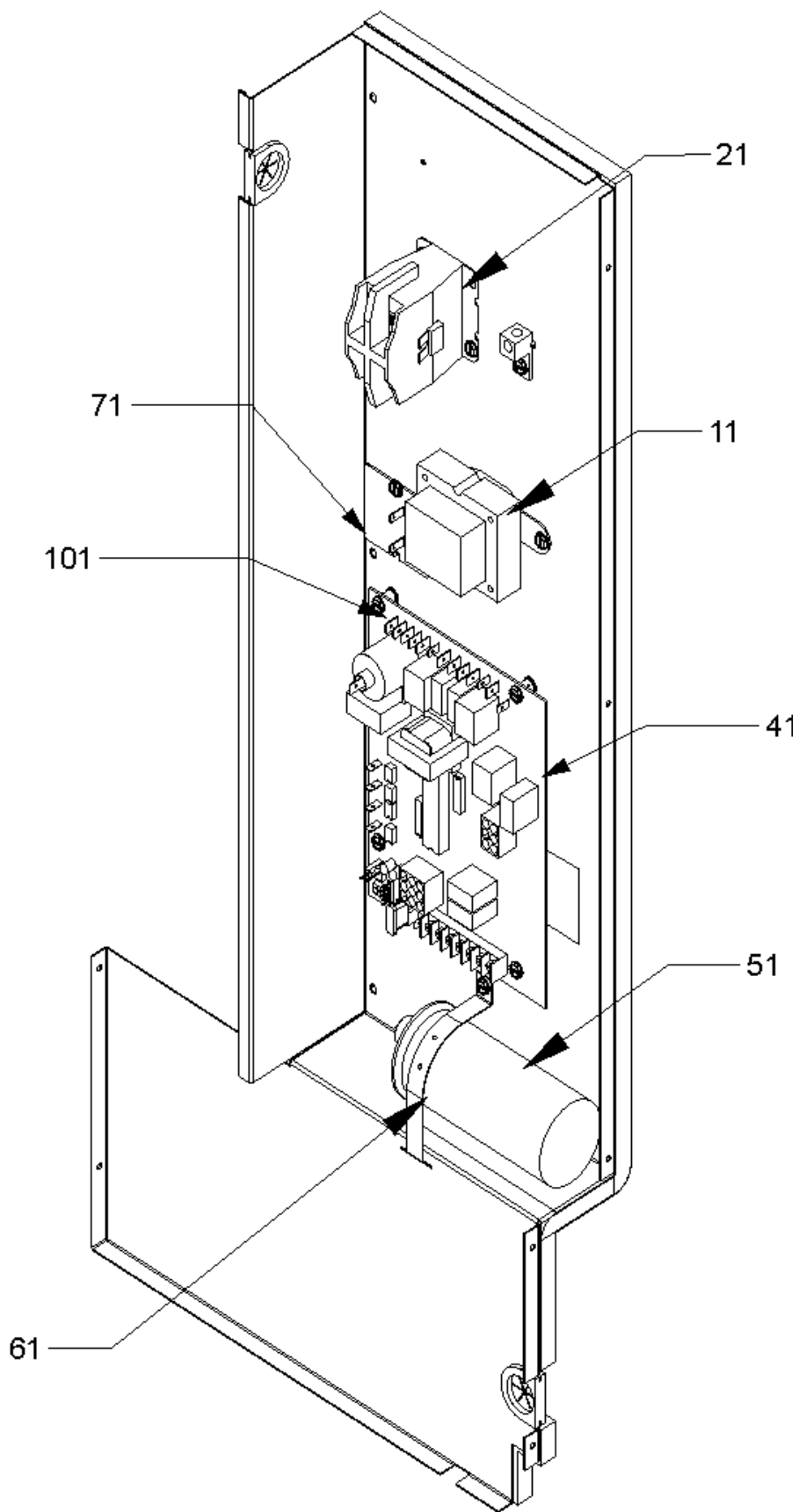
Image 1:

21	0131G00009	MOTOR, ID BLOWER
31	0121G00434	PLATE-ID BLWR LRG 5 BRNR (M4, M5)
31	0121G00432	PLATE-ID BLWR LRG 6 BRNR (M6)
31	0121G00428	PLATE-ID BLWR SML 3 BRNR (M1)
31	0121G00429	PLATE-ID BLWR SML 4 BRNR (M2, M3)
41	11112501S	PRESSURE SWITCH (M1)
51	20490718	PART/TUBE ASSY (M6)
51	20490710	PART/TUBE ASSY 3B (M1)
51	20490711	PART/TUBE ASSY 4B (M2, M3)
51	20490713	PART/TUBE ASSY 5B (M4, M5)
71	0130F00014	IGNITOR
81	0151F00000P	GAS VALVE - WHITE-RODGERS 2-STAGE
91	0130F00010	FLAME SENSOR
101	0270G00085	MANIFOLD ASSY-3BR (M1)
101	0270G00086	MANIFOLD ASSY-4BR (M2, M3)
101	0270G00087	MANIFOLD ASSY-5BR (M4, M5)
101	0270G00088	MANIFOLD ASSY-6BR (M6)
111	10735102	BECKETT BURNER (QTY A/R)
121	20190411	BURNER BRACKET 3B (M1)
121	20190412	BURNER BRACKET 4B (M2, M3)
121	20190413	BURNER BRACKET 5B (M4, M5)
121	0121F00145	BURNER BRACKET 6B (M6)
131	10123529	MANUAL RESET LIMIT
141	20484401W	FLUE ELBOW LEFT
141	20484402W	FLUE ELBOW RIGHT
151	11072202	ORIFICE SHIELD (M1)
151	11072203	ORIFICE SHIELD (M2, M3)
151	11072204	ORIFICE SHIELD (M4, M5)
151	11072205	ORIFICE SHIELD (M6)
161	M0221817	SMALL SCREW (QTY 25)
NS	0154G00003	GASKET, ID BLOWER & PLATE (M1, M2, M3)
NS	0154G00004	GASKET, ID BLOWER & PLATE (M4, M5, M6)
NS	10716003	ORIFICE (QTY A/R)

Expanded Model Nomenclature

M1 - DP15GM2407041AA
M2 - DP15GM3009041AA
M3 - DP15GM3609041AA
M4 - DP15GM4211541AA
M5 - DP15GM4811541AA
M6 - DP15GM6014041AA

Control Panel



Control Panel

Ref. Part No: No:	Description:	Ref. Part No: No:	Description:
-------------------	--------------	-------------------	--------------

Image 1:

11	0130M00138	TRANSFORMER, 208/230, 24V
21	CONT1P025024V	CONTACTOR 25 AMP, 1P, 24V (M1, M2, M3)
21	CONT1P030024V	CONTACTOR 30 AMP, 1P, 24V (M4, M5)
21	CONT2P040024V	CONTACTOR 40 AMP, 2P, 24V (M6)
41	PCBAG127	PCB, IGNITION, DSI, 2 STG
51	CAP050350440RS	CAPACITOR 5/35/440V (M1)
51	CAP050400440RT	CAPACITOR 5/40/440V (M2, M6)
51	CAP050450440RT	CAPACITOR 5/45/440V (M3, M4, M5)
61	20520901	CAPACITOR STRAP
71	10728343	LIMIT SWITCH (M1, M2, M3, M6)
71	10728344	LIMIT SWITCH (M4, M5)
101	B1393803	SUPPORT, SINGLE-WING BOARD (QTY 2)

Expanded Model Nomenclature

M1 - DP15GM2407041AA
M2 - DP15GM3009041AA
M3 - DP15GM3609041AA
M4 - DP15GM4211541AA
M5 - DP15GM4811541AA
M6 - DP15GM6014041AA