
DP15CH Horizontal Package Cooling Units

DP15CH3641BA

DP15CH6041BA



This manual is to be used by qualified technicians only.

This manual replaces RP-D3303.

© 2018 **DAIKIN MANUFACTURING COMPANY, L.P.** ♦ 5151 San Felipe St, Suite 500 ♦ Houston, TX 77056

Important Information

Index

Functional Parts List	3
Illustration and Parts	4 - 11

Views shown are for parts illustrations only, not servicing procedures

Text Codes:

AR - As Required

NA - Not Available

NS - Not Shown

00000000 - See Note

QTY - Quantity Example (QTY 3) (If Quantity not shown, Quantity = 1)

M - Model Example (M1) (If M Code not shown, then part is used on all Models)

Expanded Model Nomenclature:

Example M1 - Model#1 M2 - Model#2 M3 - Model#3

Daikin Manufacturing Company, L.P. is not responsible for personal injury or property damage resulting from improper service. Review all service information before beginning repairs.

Warranty service must be performed by an authorized technician, using authorized factory parts. If service is required after the warranty expires, Daikin Manufacturing Company, L.P. also recommends contacting an authorized technician and using authorized factory parts.

Daikin Manufacturing Company, L.P. reserves the right to discontinue, or change at any time, specifications or designs without notice or without incurring obligations.

For assistance within the U.S.A. contact:

Homeowner Support
Daikin North America, LLC
19001 Kermier Road
Waller, Texas 77484
855-770-5678-Telephone
713-863-2382-Facsimile

For assistance outside the U.S.A. contact:

International Division
Daikin North America, LLC
19001 Kermier Road
Waller, Texas 77484
713-861-2500-Telephone
713-863-2382-Facsimile

Functional Parts

Part

No: Description:

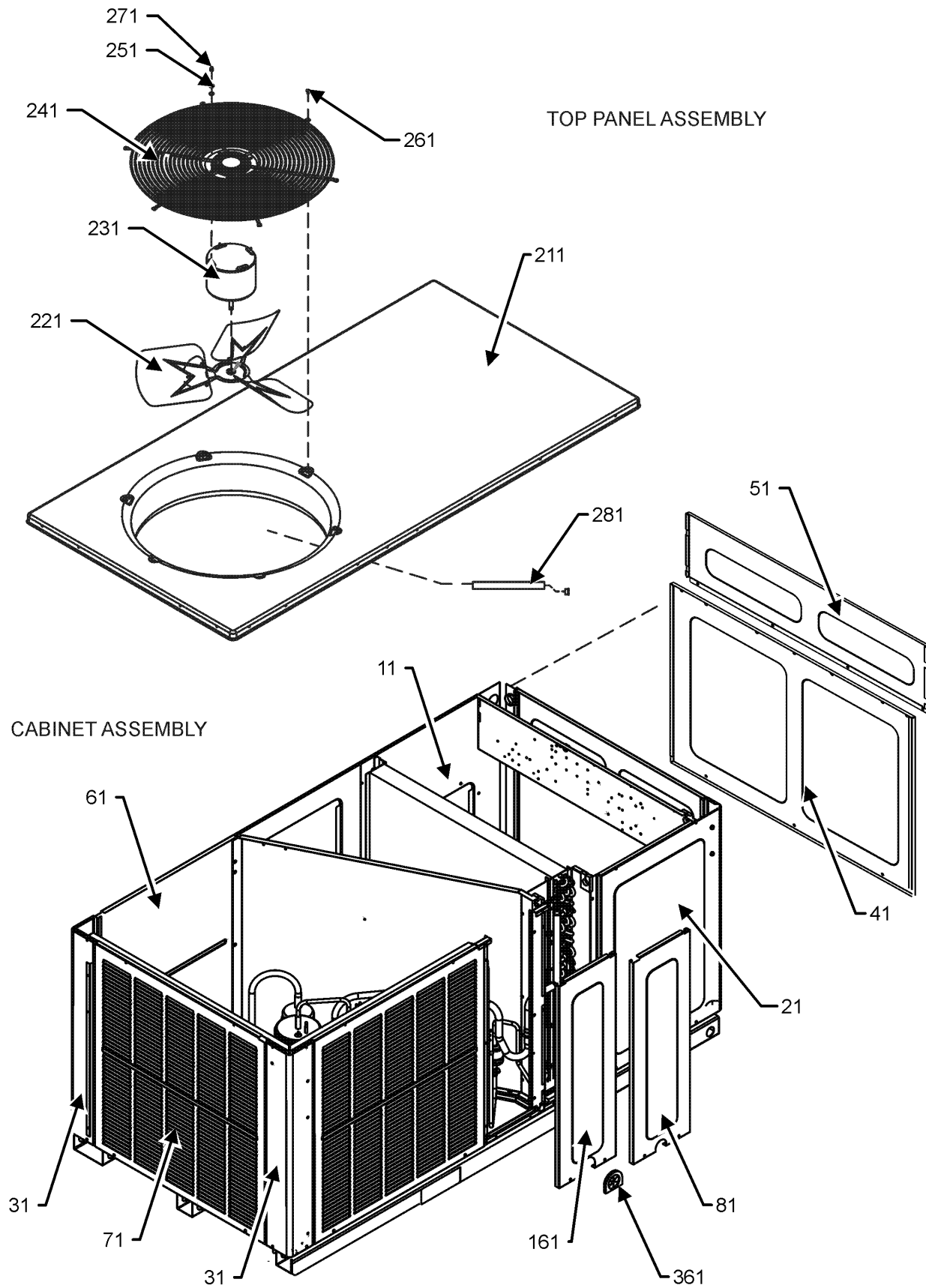
B1368016	BLOWER WHEEL 10 X 8
CAP050450440CT	CAP, 5/45 MFD/440V/DUAL RD (M2)
CAP050400440CT	CAPACITOR 5/40/440V/DUAL RD (M1)
ZPS49K6EPFV130	COMP 49000,208/230/60/1 (M2)
ZP29K5EPFV130	COMP,29000,208/230/60/1 (M1)
CONT1P025024V	CONTACTOR 25 AMP, 1P, 24V (M1)
CONT2P040024V	CONTACTOR 40 AMP, 2P, 24V (M2)
0150G00004	FAN BLADE (M2)
B1086765	FAN BLADE TYPE 3 (M1)
0130M00074	HIGH PRESSURE SWITCH (M2)
0131M00847	MOTOR, 1/4 HP, 1 SP, 6 PL (M2)
0131M00836	MOTOR, 1/4HP,1SP,8PL,AL (M1)
PCBEM102	PCB, ECM PRIMARY, VSTB
0131M00703	PROGRAMMED MOTOR (M1)
0131M00723	PROGRAMMED MOTOR (M2)
0130M00242	RELAY, 24V (M2)
0130M00138	TRANSFORMER, 208/230, 24V
0151M00075	VALVE-TXV R410A (M2)

Expanded Model Nomenclature

M1 - DP15CH3641BA

M2 - DP15CH6041BA

Top Panel and Cabinet Assembly



Top Panel and Cabinet Assembly

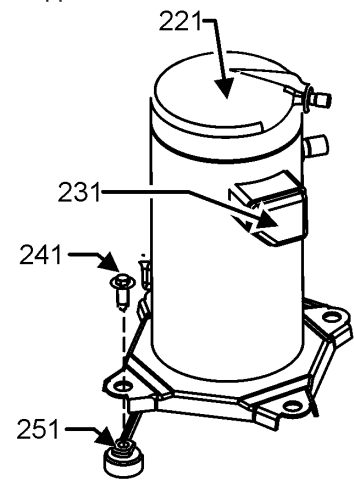
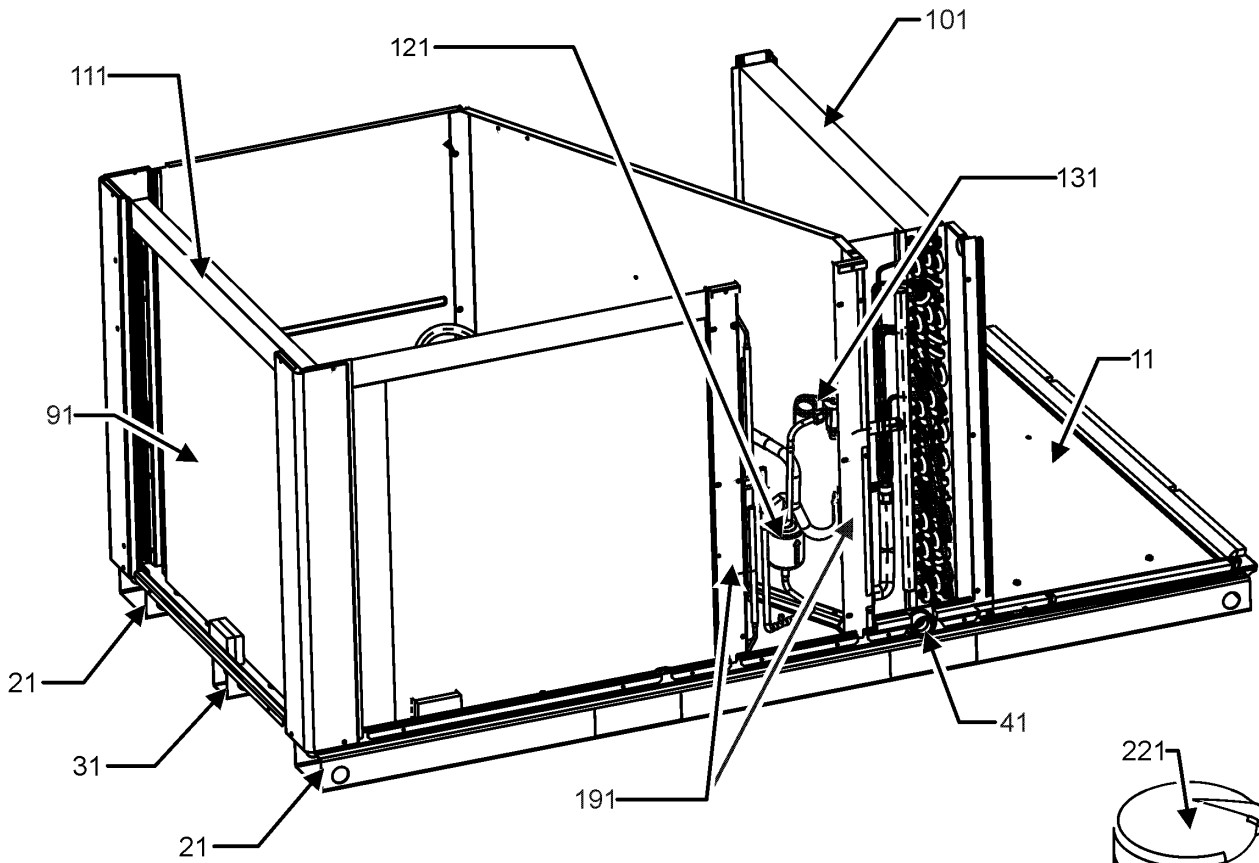
Ref. Part No: No:	Description:	Ref. Part No: No:	Description:
Image 1:			
11	0121G00667NG		DUCT PANEL 27.5" (M1)
11	0121G00668NG		DUCT PANEL 32.5" (M2)
21	0121G00664NG		CORNER PANEL 27.5" (M1)
21	0121G00665NG		CORNER PANEL 32.5" (M2)
31	0121G00047NG		CORNER POST 27.5" (M1)
31	0121G00048NG		CORNER POST 32.5" (M2)
41	0121G00271NG		EXTERNAL BLOWER PANEL 27.5" (M1)
41	0121G00272NG		EXTERNAL BLOWER PANEL 32.5" (M2)
51	0121G00276NG		EXTERNAL CONTROL BOX PANEL
61	0121G00069NG		LOUVERED PANEL 4 BANK 27.5" (M1)
61	0121G00070NG		LOUVERED PANEL 4 BANK 32.5" (M2)
71	0121G00072NG		PNL, LVR, 27.5" 5BANK (M1)
71	0121G00073NG		PNL, LVR, 32.5" 5BANK (M2)
81	0121G00065NG		PNL, EVAP, 8.75" X 27.5" (M1)
81	0121G00066NG		PNL, EVAP, 8.75" X 32.5" (M2)
161	0121G00712NG		COMPRESSOR PANEL (M2)
161	0121G00713NG		COMPRESSOR PANEL (M1)
211	0121G00274NG		TOP PANEL PAINTED
221	0150G00004		FAN BLADE (M2)
221	B1086765		FAN BLADE TYPE 3 (M1)
231	0131M00847		MOTOR, 1/4 HP, 1 SP, 6 PL (M2)
231	0131M00836		MOTOR, 1/4HP,1SP,8PL,AL (M1)
241	0152G00003		FAN GRILLE
251	0163M00005P		WASHER, BLACK (.50 OD .218ID) (QTY 4)
261	M0221817		SMALL SCREW (QTY 6)
271	0163M00006P		ACORN NUT 5/16 HEX BLACK (QTY 4)
281	17788000083F		PVC CONDUIT 8.25"
361	0164G00005		GROMMET-HORSESHOE 1.675
NS	B1392012		GROMMET / HS 1.0 - .79
NS	B1392012		GROMMET / HS 1.0 - .79

Expanded Model Nomenclature

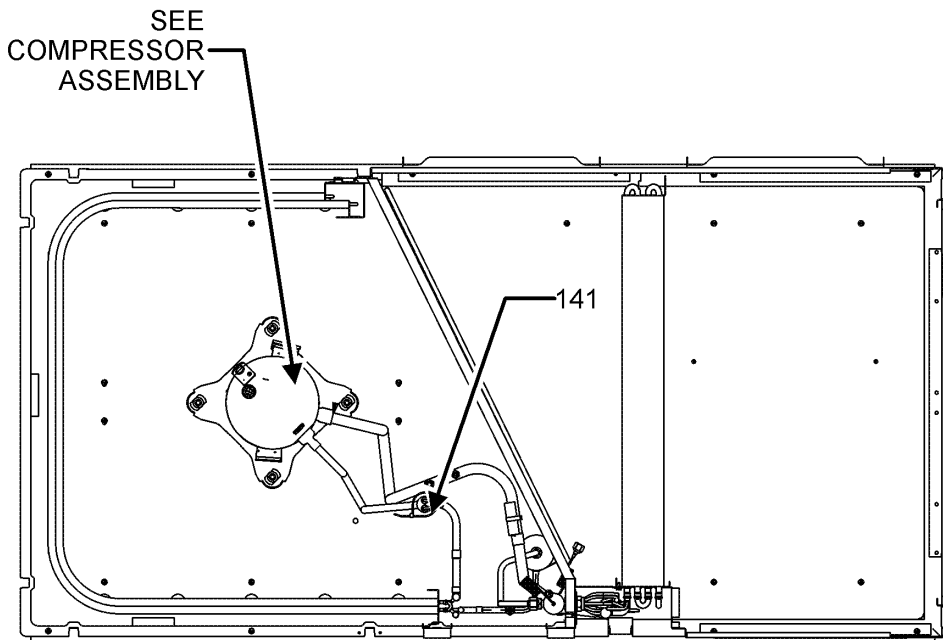
M1 - DP15CH3641BA

M2 - DP15CH6041BA

Tubing Assembly



COMPRESSOR ASSEMBLY



TUBING ASSEMBLY TOP VIEW

Tubing Assembly

Ref. Part No:	No:	Description:	Ref. Part No:	No:	Description:
Image 1:					
11	0121G00046P	PAN,BASE			
21	0121G00044PRF	BASEPAN RAIL (QTY 2)			
31	0121G00325	BASE PAN SUPPORT RAIL			
41	0161G00000P	DRIP PAN			
91	0201G00183	CONDENSER COIL ASSY (M1)			
91	0201G00334	CONDENSER COIL ASSY (M2)			
101	0202G00663	EVAP COIL ASSY (M2)			
101	0202G00733	EVAP COIL ASSY (M1)			
111	0121G00368	CONDENSER COIL BLOCKOFF (M1)			
111	0121G00372	CONDENSER COIL BLOCKOFF (M2)			
121	B1219212	SINGLE-FLOW FILTER DRIER, STEEL (M1)			
121	B1219225	SINGLE-FLOW FILTER DRIER, STEEL (M2)			
131	0151M00075	VALVE-TXV R410A (M2)			
141	0130M00074	HIGH PRESSURE SWITCH (M2)			
191	0121G00045P	POST 27.5" (M1)			
191	0121G00565	POST 32.5" (M2)			
221	ZPS49K6EPFV130	COMP 49000,208/230/60/1 (M2)			
221	ZP29K5EPFV130	COMP,29000,208/230/60/1 (M1)			
231	0159G00004	COMPRESSOR SCROLL HARNESS			
241	M0221641	TF SHOULDER SCREW (QTY 4)			
251	B1339533	COMPRESSOR GROMMET (QTY 4)			
NS	B1373315	ACCESS FITTING (QTY 2)			
NS	0121L00936	BRACKET-HAIRPIN END (M2)			
NS	0159G00010	CABLE, COMPR SOL (M2)			
NS	0163M00175	CAP WITH O-RING (QTY 2)			
NS	B1488806	COMPRESSOR SOUND BLANKET (M2)			
NS	B1488807	COMPRESSOR SOUND BLANKET (M1)			
NS	0128G00052	EVAP DRIP SHIELD			

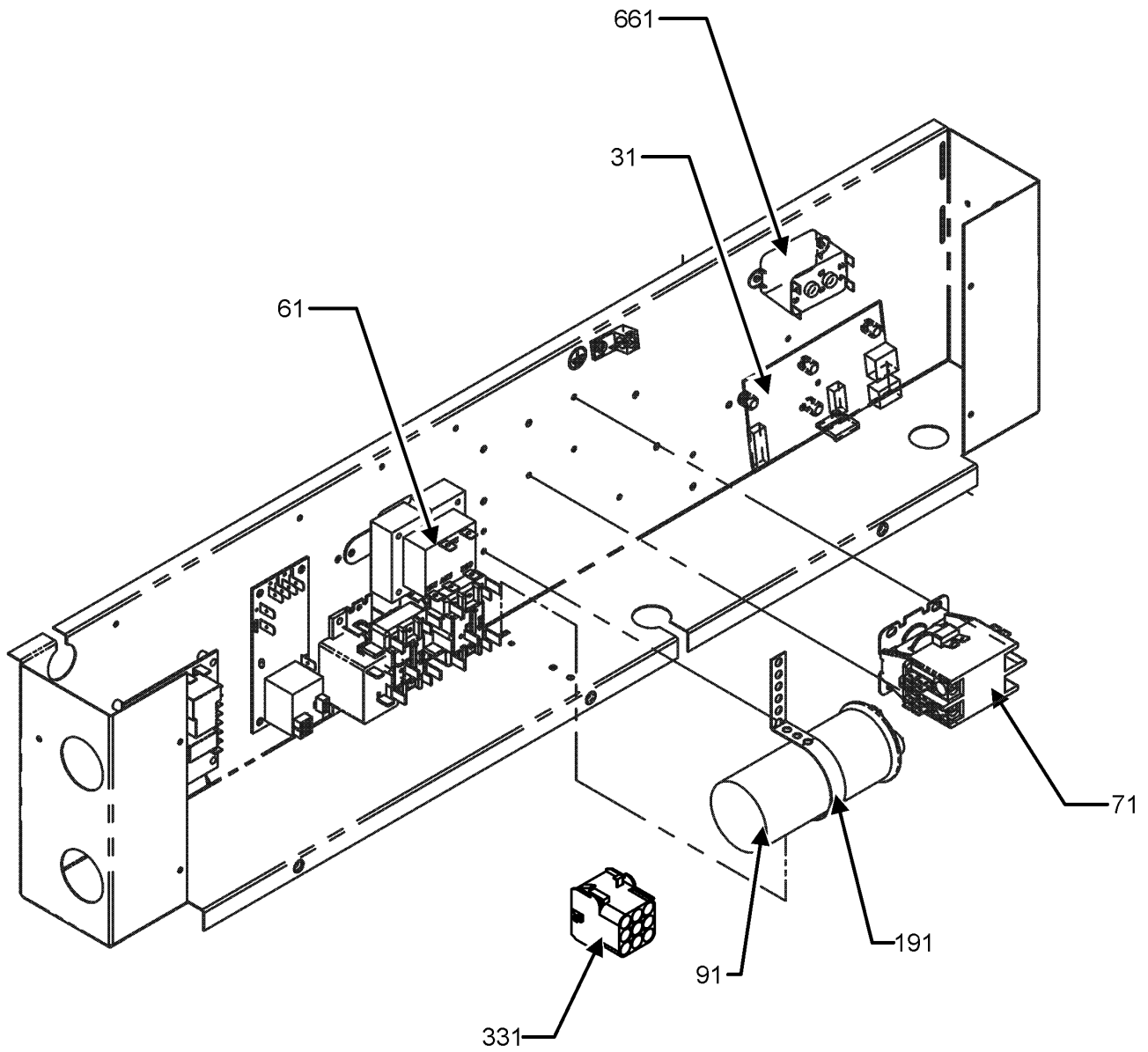
Expanded Model Nomenclature

M1 - DP15CH3641BA

M2 - DP15CH6041BA

Control Box Assembly

CONTROL BOX ASSEMBLY



Control Box Assembly

Ref. Part No: No:	Description:	Ref. Part No: No:	Description:
-------------------	--------------	-------------------	--------------

Image 1:

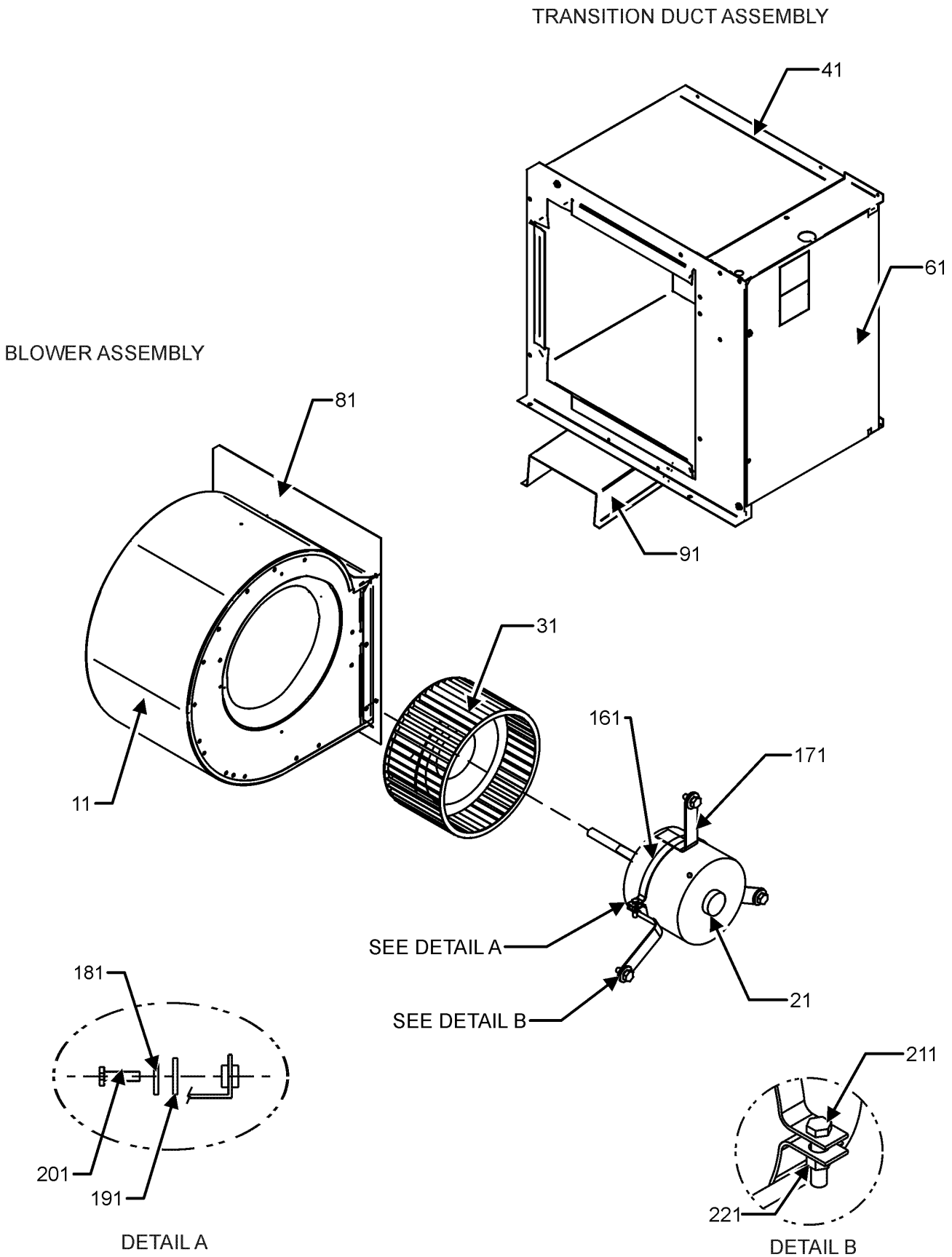
31	PCBEM102	PCB, ECM PRIMARY, VSTB
61	0130M00138	TRANSFORMER, 208/230, 24V
71	CONT1P025024V	CONTACTOR 25 AMP, 1P, 24V (M1)
71	CONT2P040024V	CONTACTOR 40 AMP, 2P, 24V (M2)
91	CAP050450440CT	CAP, 5/45 MFD/440V/DUAL RD (M2)
91	CAP050400440CT	CAPACITOR 5/40/440V/DUAL RD (M1)
191	20520901	CAPACITOR STRAP
331	0259G00216	WIRE HARNESS, ELECTRIC HEAT
661	0130M00242	RELAY, 24V (M2)
NS	B1378701	HIGH VOLTAGE WIRE HARNESS
NS	B1378700	LOW VOLTAGE WIRE HARNESS

Expanded Model Nomenclature

M1 - DP15CH3641BA

M2 - DP15CH6041BA

Blower Assembly



Blower Assembly

Ref. Part No:	No:	Description:	Ref. Part No:	No:	Description:
---------------	-----	--------------	---------------	-----	--------------

Image 1:

11	10324248	HSG WELD- 10X8 BWR			
21	0131M00703	PROGRAMMED MOTOR (M1)			
21	0131M00723	PROGRAMMED MOTOR (M2)			
31	B1368016	BLOWER WHEEL 10 X 8			
41	0270G00025P	TRANSITION DUCT ASSY-ALL			
61	0121G00726	PL, HK COVER			
81	0121G00035P	BLOWER MOUNT 10 X 8			
91	0121G00040P	BLOWER SUPPORT			
161	0121M00038	MOTOR MOUNT BAND			
171	B1376853	MOTOR MOUNT ARM (QTY 3)			
181	B1392820	WASHER, SPLIT LOCK 1/4 BZ (QTY 3)			
191	B1392918	WASHER, FLAT 1/4 ID X 1 OD (QTY 3)			
201	M0250565	TC SCREW 1.25" (QTY 3)			
211	B1393323	MACHINE SCREW HWH 1/4-20 X 1-1/2 BZ			
221	B1393800	LOCKNUT, NYLON, INSERT 1/4, 20			
NS	C6121810	BLOWER CUT-OFF			

Expanded Model Nomenclature

M1 - DP15CH3641BA

M2 - DP15CH6041BA