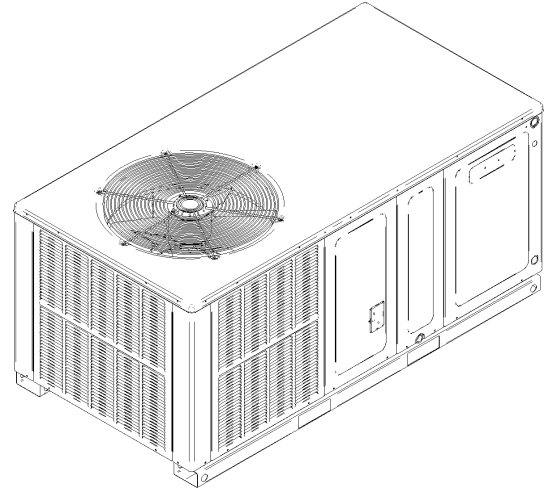

DP15CH Horizontal Package Cooling Units

DP15CH2441AC
DP15CH3041AC
DP15CH3641BB



This manual is to be used by qualified technicians only.

Important Information

Index

Functional Parts List	3
Illustration and Parts	4 - 13

Views shown are for parts illustrations only, not servicing procedures

Text Codes:

AR - As Required

NA - Not Available

NS - Not Shown

00000000 - See Note

QTY - Quantity Example (QTY 3) (If Quantity not shown, Quantity = 1)

M - Model Example (M1) (If M Code not shown, then part is used on all Models)

Expanded Model Nomenclature:

Example M1 - Model#1 M2 - Model#2 M3 - Model#3

Daikin Manufacturing Company, L.P. is not responsible for personal injury or property damage resulting from improper service. Review all service information before beginning repairs.

Warranty service must be performed by an authorized technician, using authorized factory parts. If service is required after the warranty expires, Daikin Manufacturing Company, L.P. also recommends contacting an authorized technician and using authorized factory parts.

Daikin Manufacturing Company, L.P. reserves the right to discontinue, or change at any time, specifications or designs without notice or without incurring obligations.

For assistance within the U.S.A. contact:

Homeowner Support
Daikin North America, LLC
19001 Kermier Road
Waller, Texas 77484
855-770-5678-Telephone
713-863-2382-Facsimile

For assistance outside the U.S.A. contact:

International Division
Daikin North America, LLC
19001 Kermier Road
Waller, Texas 77484
713-861-2500-Telephone
713-863-2382-Facsimile

Functional Parts

Part

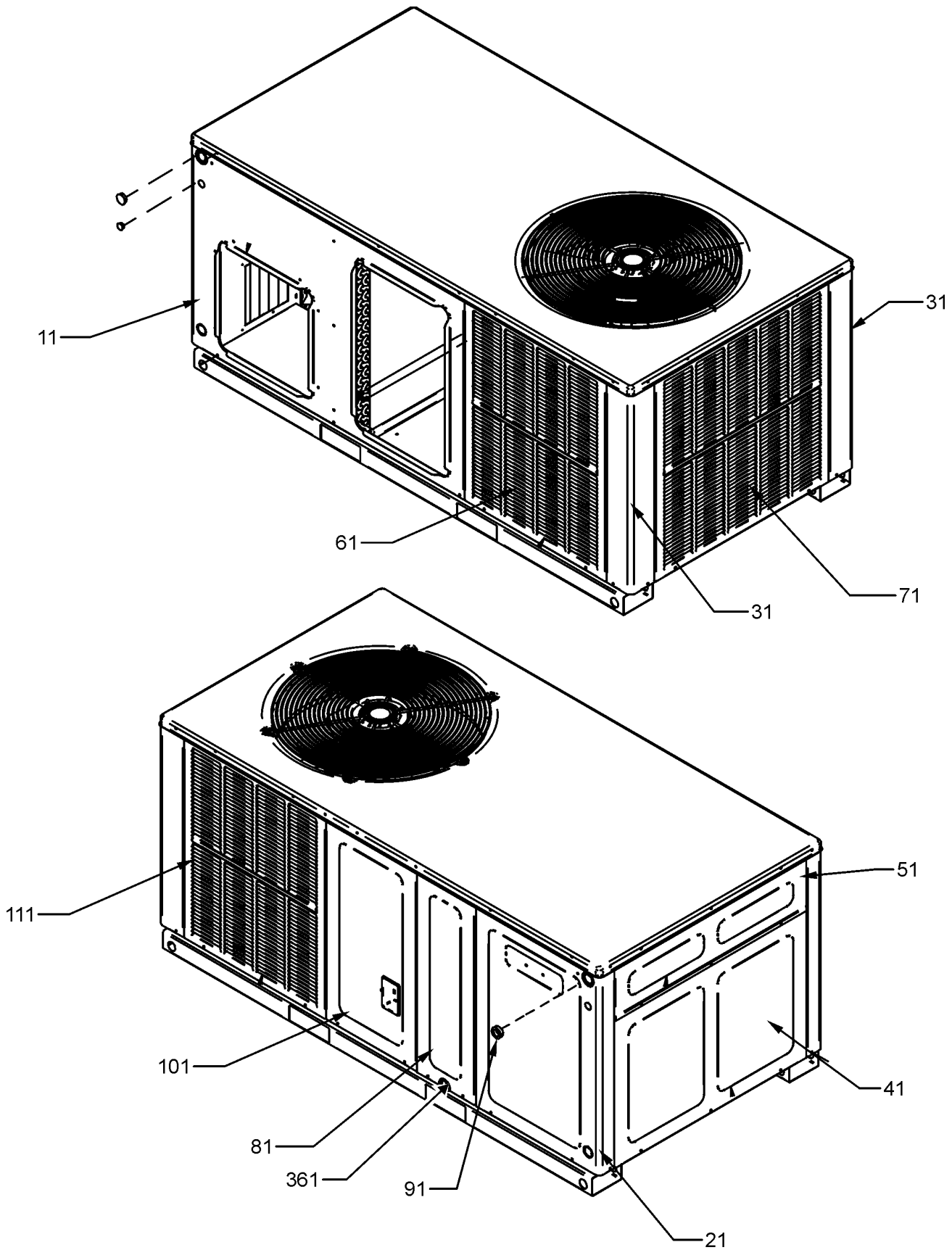
No: Description:

B1368016	BLOWER WHEEL 10 X 8
CAP050350440CS	CAPACITOR 5/35/440V (M1)
CAP050400440CT	CAPACITOR 5/40/440V/DUAL RD (M2, M3)
ZP20K5EPFV130	COMP,20000,208/230/60/1 (M1)
ZP25K5EPFV130	COMP,25200,208/230/60/1 (M2)
ZP29K5EPFV130	COMP,29000,208/230/60/1 (M3)
CONT1P025024V	CONTACTOR 25 AMP, 1P, 24V
B1086765	FAN BLADE TYPE 3 (M3)
0150M00055	FAN BLADE, 22" (M1, M2)
0131M00753	MOTOR, 1/6HP, 1SP, 8PL, AL (M1, M2)
0131M00951	Motor, OD, PSC, 1/4 HP (M3)
PCBEM102	PCB, ECM PRIMARY, VSTB
0131M00682	PROGRAM, EON MOTOR 1/2 HP (M1)
0131M00683	PROGRAM, EON MOTOR 1/2 HP (M2)
0131M00684	PROGRAM, EON MOTOR 1/2 HP (M3)
0130M00138	TRANSFORMER, 208/230, 24V

Expanded Model Nomenclature

M1 - DP15CH2441AC
M2 - DP15CH3041AC
M3 - DP15CH3641BB

Cabinet Assembly



Cabinet Assembly

Ref. Part No: No:	Description:	Ref. Part No: No:	Description:
-------------------	--------------	-------------------	--------------

Image 1:

11	0121G00667NG	DUCT PANEL 27.5"
21	0121G00664NG	CORNER PANEL 27.5"
31	0121G00047NG	CORNER POST 27.5" (M2, M3)
31	0121G00516NG	CORNER POST, 27.5" (M1)
41	0121G00271NG	EXTERNAL BLOWER PANEL 27.5"
51	0121G00276NG	EXTERNAL CONTROL BOX PANEL
61	0121G00069NG	LOUVERED PANEL 4 BANK 27.5" (M2, M3)
61	0121G00517NG	PNL, NO LVR 27.5" PAINTED (M1)
71	0121G00072NG	PNL, LVR, 27.5" 5BANK (QTY 2)
81	0121G00065NG	PNL, EVAP, 8.75" X 27.5"
91	B1392012	GROMMET / HS 1.0 - .79
101	0121G00711NG	COMPRESSOR PANEL (M1)
101	0121G00713NG	COMPRESSOR PANEL (M2, M3)
111	0121G00069NG	LOUVERED PANEL 4 BANK 27.5" (M2, M3)
111	0121G00517NG	LOUVERED PANEL 4 BANK 27.5" (M1)
361	0164G00005	GROMMET-HORSESHOE 1.675

Expanded Model Nomenclature

M1 - DP15CH2441AC
M2 - DP15CH3041AC
M3 - DP15CH3641BB

Chassis Assembly

Image 1

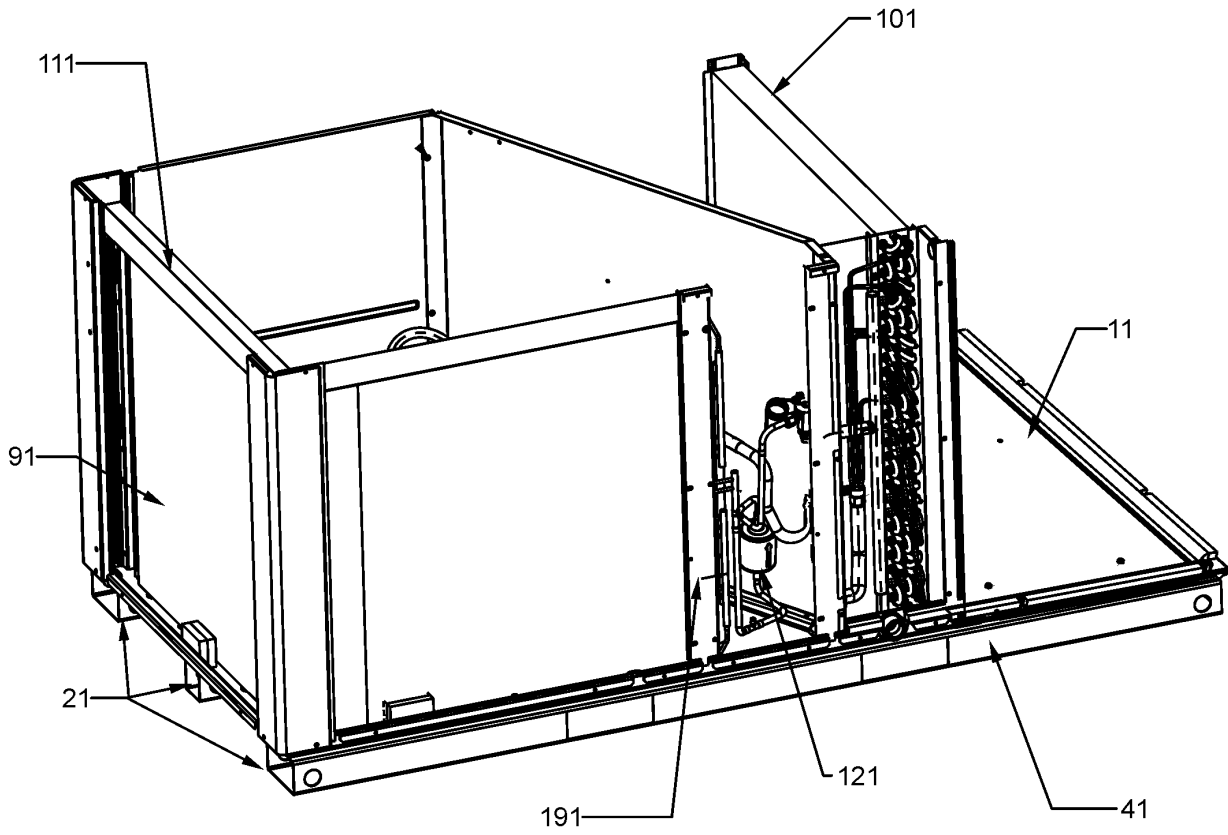
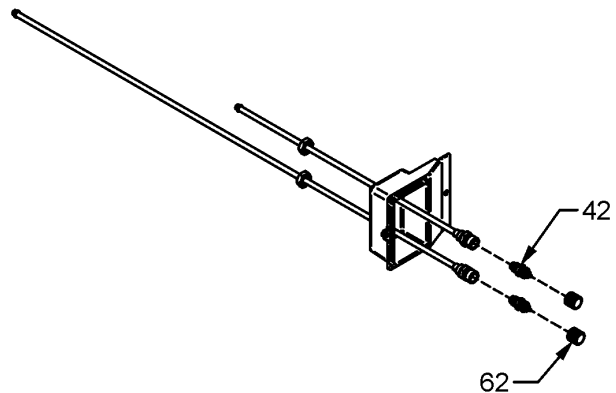


Image 2



Chassis Assembly

Ref. Part No:	No:	Description:	Ref. Part No:	No:	Description:
---------------	-----	--------------	---------------	-----	--------------

Image 1:

11	0121G00046P	PAN,BASE
21	0121G00044PRF	BASEPAN RAIL (QTY 2)
41	0161G00000P	DRIP PAN
91	0201G00183	CONDENSER COIL ASSY (M2, M3)
91	0201G00308	CONDENSER COIL ASSY (M1)
101	0202G00733	EVAP COIL ASSY (M3)
101	0202G00709	EVAP COIL TUBING ASSY (M1)
101	0202G00710	EVAP COIL TUBING ASSY (M2)
111	0121G00368	CONDENSER COIL BLOCKOFF (M2, M3)
111	0121G00519	CONDENSER COIL BLOCKOFF (M1)
121	B1219212	SINGLE-FLOW FILTER DRIER, STEEL
191	0121G00045P	POST 27.5"
NS	0128G00052	EVAP DRIP SHIELD

Image 2:

42	B1373315	ACCESS FITTING (QTY 2)
62	0163M00175	CAP WITH O-RING (QTY 2)

Expanded Model Nomenclature

M1 - DP15CH2441AC
M2 - DP15CH3041AC
M3 - DP15CH3641BB

Compressor and Top Panel Assembly

Image 1

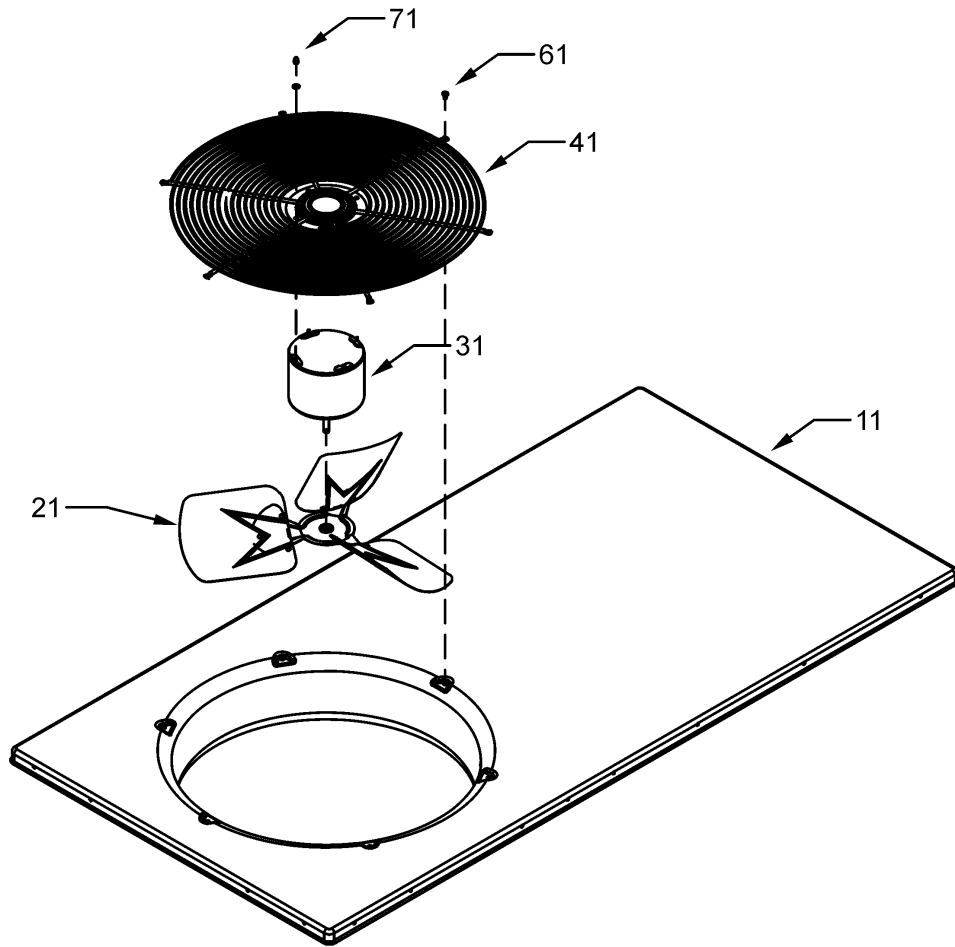
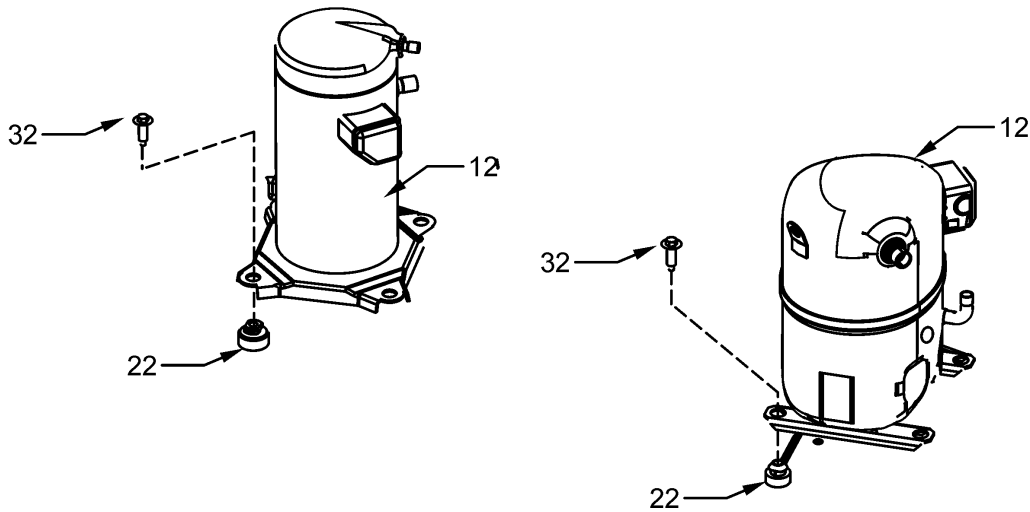


Image 2



Compressor and Top Panel Assembly

Ref. Part No:	No:	Description:	Ref. Part No:	No:	Description:
---------------	-----	--------------	---------------	-----	--------------

Image 1:

11	0121G00274NG	TOP PANEL PAINTED
21	B1086765	FAN BLADE TYPE 3 (M3)
21	0150M00055	FAN BLADE, 22" (M1, M2)
31	0131M00753	MOTOR, 1/6HP, 1SP, 8PL, AL (M1, M2)
31	0131M00951	Motor, OD, PSC, 1/4 HP (M3)
41	0152G00003	FAN GRILLE
61	M0221817	SMALL SCREW (QTY 3)
71	0163M00006P	ACORN NUT 5/16 HEX BLACK (QTY 4)
NS	0161G00016	CONDUIT PVC

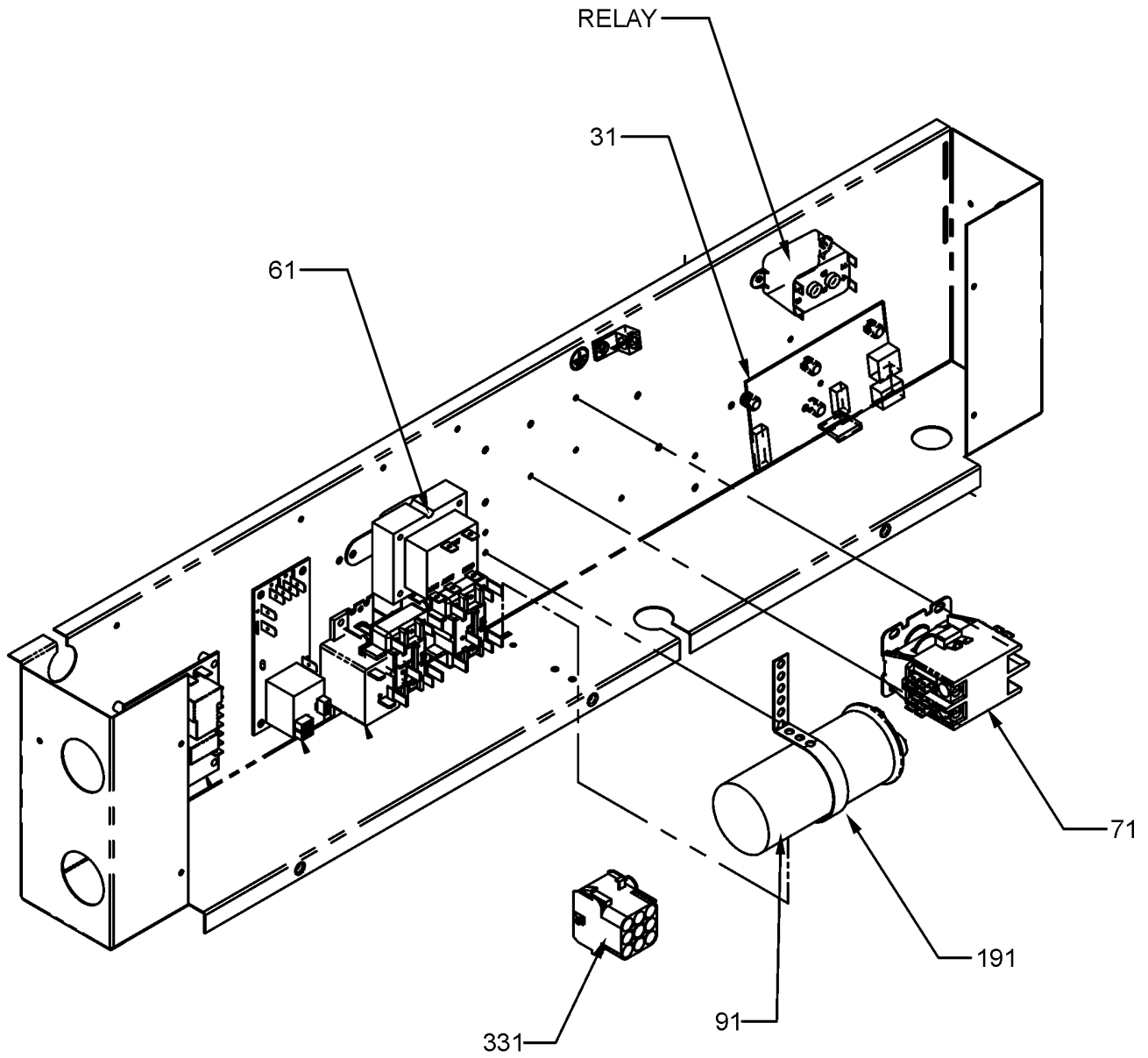
Image 2:

12	ZP20K5EPFV130	COMP,20000,208/230/60/1 (M1)
12	ZP25K5EPFV130	COMP,25200,208/230/60/1 (M2)
12	ZP29K5EPFV130	COMP,29000,208/230/60/1 (M3)
22	B1339530	COMPRESSOR GROMMET (M1)
22	B1339533	COMPRESSOR GROMMET (M2, M3)
32	M0221641	TF SHOULDER SCREW (QTY 4)
NS	0160M00039	COMPRESSOR BLANKET
NS	0159G00004	COMPRESSOR SCROLL HARNESS

Expanded Model Nomenclature

M1 - DP15CH2441AC
M2 - DP15CH3041AC
M3 - DP15CH3641BB

Control Box Assembly



Control Box Assembly

Ref. Part No:	No:	Description:	Ref. Part No:	No:	Description:
---------------	-----	--------------	---------------	-----	--------------

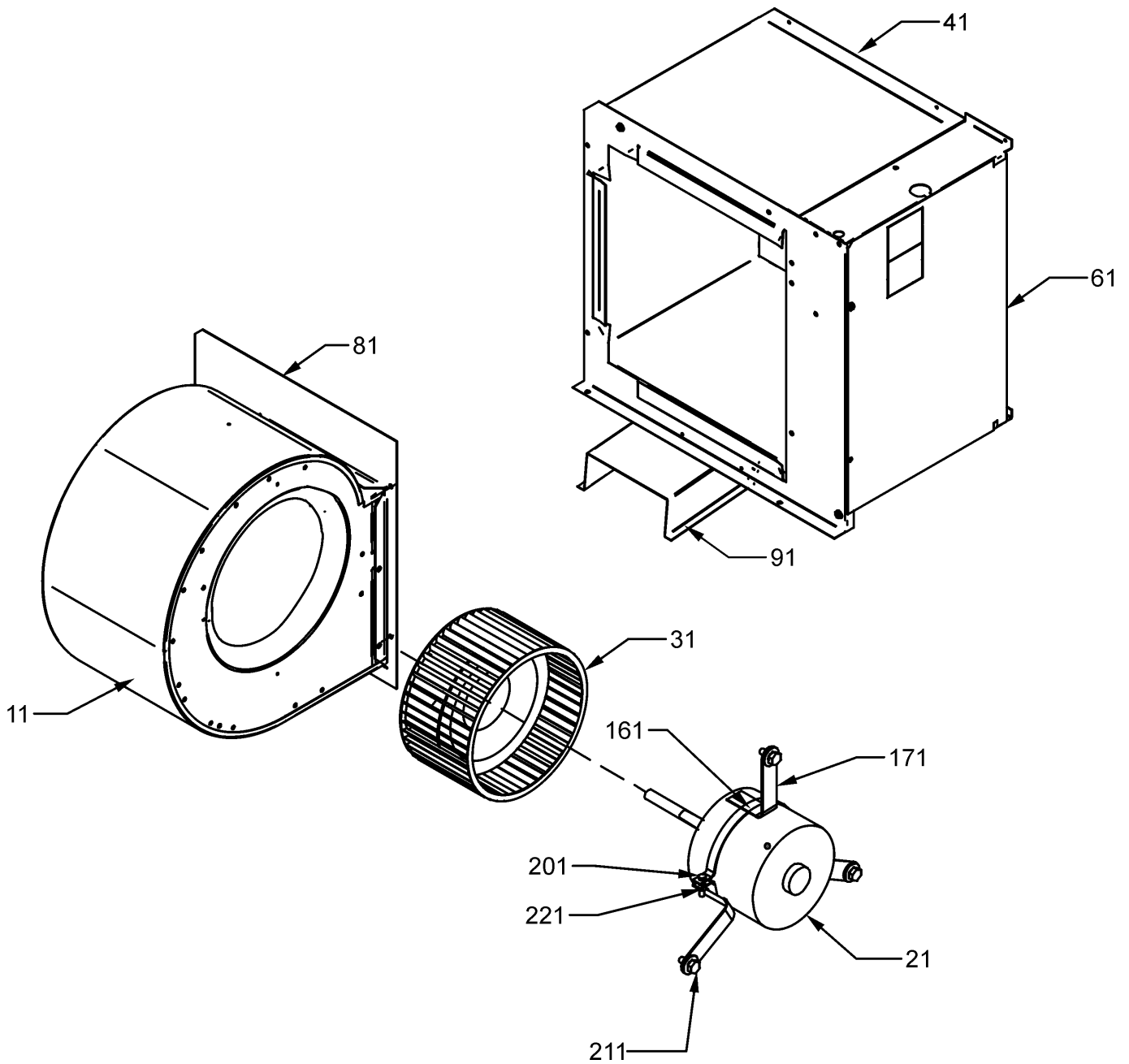
Image 1:

31	PCBEM102	PCB, ECM PRIMARY, VSTB
61	0130M00138	TRANSFORMER, 208/230, 24V
71	CONT1P025024V	CONTACTOR 25 AMP, 1P, 24V
91	CAP050350440CS	CAPACITOR 5/35/440V (M1)
91	CAP050400440CT	CAPACITOR 5/40/440V/DUAL RD (M2, M3)
191	20520901	CAPACITOR STRAP
331	0259G00216	WIRE HARNESS, ELECTRIC HEAT
NS	B1378701	HIGH VOLTAGE WIRE HARNESS FOR
NS	B1378700	LOW VOLTAGE WIRE HARNESS FOR A

Expanded Model Nomenclature

M1 - DP15CH2441AC
M2 - DP15CH3041AC
M3 - DP15CH3641BB

Blower Assembly



Blower Assembly

Ref. Part No:	No:	Description:	Ref. Part No:	No:	Description:
---------------	-----	--------------	---------------	-----	--------------

Image 1:

11	10324248	HSG WELD- 10X8 BWR
21	0131M00682	PROGRAM, EON MOTOR 1/2 HP (M1)
21	0131M00683	PROGRAM, EON MOTOR 1/2 HP (M2)
21	0131M00684	PROGRAM, EON MOTOR 1/2 HP (M3)
31	B1368016	BLOWER WHEEL 10 X 8
41	0270G00025P	TRANSITION DUCT ASSY-ALL
61	0121G00726	PL, HK COVER
81	0121G00035P	BLOWER MOUNT 10 X 8
91	0121G00040P	BLOWER SUPPORT
161	0121M00038	MOTOR MOUNT BAND
171	B1376853	MOTOR MOUNT ARM (QTY 3)
201	B1393323	MACHINE SCREW HWH 1/4-20 X 1-1/2 BZ
211	M0250565	TC SCREW 1.25" (QTY 3)
221	B1393800	LOCKNUT, NYLON, INSERT 1/4, 20
NS	C6121810	BLOWER CUT-OFF

Expanded Model Nomenclature

M1 - DP15CH2441AC
M2 - DP15CH3041AC
M3 - DP15CH3641BB