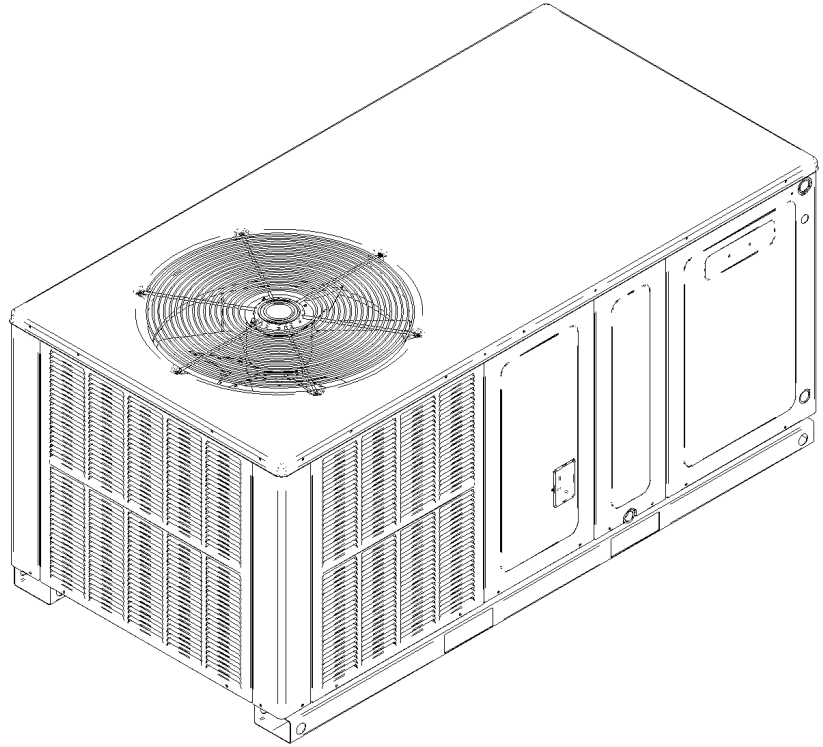


## DP15CH Horizontal Package Cooling Units

DP15CH2441AA  
DP15CH2441AB  
DP15CH3041AA  
DP15CH3041AB  
DP15CH3641AA  
DP15CH3641AB  
DP15CH4241AA  
DP15CH4241AB  
DP15CH4841AA  
DP15CH4841AB  
DP15CH6041AA  
DP15CH6041AB



This manual is to be used by qualified technicians only.

This manual replaces RP-D3020.

© 2015-2016 **DAIKIN COMPANY, L.P.** ♦ 5151 San Felipe St., Suite 500 ♦ Houston, TX 77056

# Important Information

---

## Index

Functional Parts List .....	3
Illustration and Parts .....	4 - 13

*Views shown are for parts illustrations only, not servicing procedures*

### Text Codes:

AR - As Required

NA - Not Available

NS - Not Shown

00000000 - See Note

QTY - Quantity Example (QTY 3) (If Quantity not shown, Quantity = 1)

M - Model Example (M1) (If M Code not shown, then part is used on all Models)

### Expanded Model Nomenclature:

Example M1 - Model#1 M2 - Model#2 M3 - Model#3
---

Daikin Company, L.P. is not responsible for personal injury or property damage resulting from improper service. Review all service information before beginning repairs.

Warranty service must be performed by an authorized technician, using authorized factory parts. If service is required after the warranty expires, Daikin Company, L.P. also recommends contacting an authorized technician and using authorized factory parts.

Daikin Company, L.P. reserves the right to discontinue, or change at any time, specifications or designs without notice or without incurring obligations.

For assistance within the U.S.A. contact:

Consumer Affairs Department

Daikin North America, LLC

7401 Security Way

Houston, Texas 77040

855-770-5678-Telephone

713-863-2382-Facsimile

For assistance outside the U.S.A. contact:

International Division

Daikin North America, LLC

7401 Security Way

Houston, Texas 77040

713-861-2500-Telephone

713-863-2382-Facsimile

# Functional Parts

## Part

## No: Description:

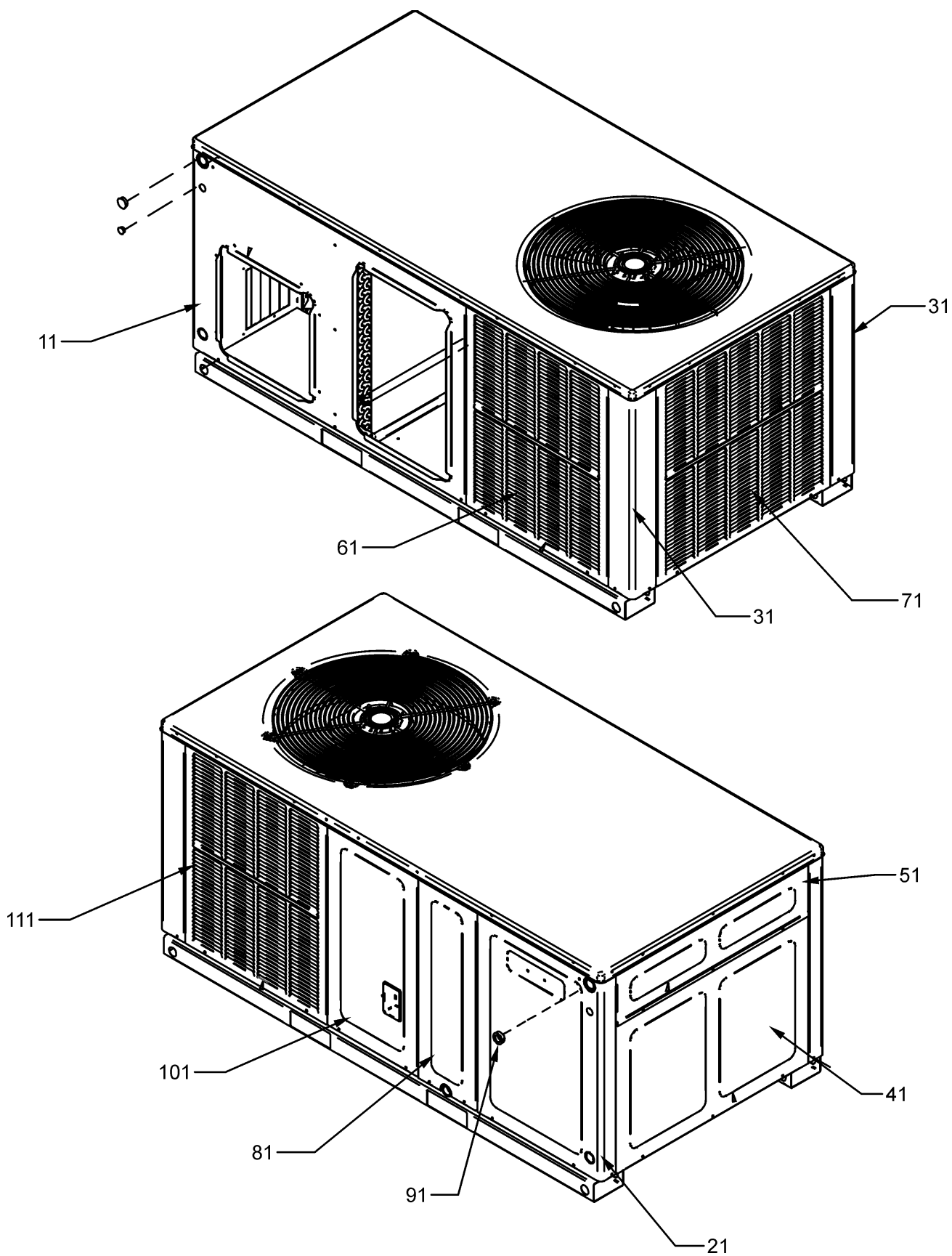
---

B1368016	BLOWER WHEEL 10 X 8
CAP050350440CS	CAPACITOR 5/35/440V (M1, M2)
CAP050400440CT	CAPACITOR 5/40/440V/DUAL RD (M3, M4, M5, M6, M11, M12)
CAP050450440CT	CAPACITOR 5/45/440V/DUAL RD (M7, M8, M9, M10)
ZPS51K5EPFV130	COMP, 51900/208/230/60/1 (M11, M12)
ZP20K5EPFV130	COMPRESSOR 20000, 208/230/60/1 (M1, M2)
ZP25K5EPFV130	COMPRESSOR 25200, 208/230/60/1 (M3, M4)
ZP31K5EPFV130	COMPRESSOR 31100, 208/230/60/1 (M5, M6)
ZP34K5EPFV130	COMPRESSOR 34500, 208/230/60/1 (M7, M8)
ZP39K5EPFV130	COMPRESSOR 39000, 208/230/60/1 (M9, M10)
0131M00061	COND MOTOR 1/4 HP, 1 SP, 8 PL (M5, M6)
0131M00429	COND MOTOR 1/4 HP, 1 SP, 6 PL (M7, M8, M9, M10, M11, M12)
0131M00009P	COND MOTOR 1/6 HP, 1 SP, 8 PL (M1, M2, M3, M4)
CONT1P025024V	CONTACTOR 25 AMP, 1P, 24V (M1, M2, M3, M4, M5, M6)
CONT1P030024V	CONTACTOR 30 AMP, 1P, 24V (M7, M8, M9, M10)
CONT2P040024V	CONTACTOR 40 AMP, 2P, 24V (M11, M12)
0130M00074	CUT-OUT SWITCH, HIGH PRESSURE (M11, M12)
0150G00005	FAN BLADE (M1, M2, M3, M4)
0150G00004	FAN BLADE (M7, M8, M9, M10, M11, M12)
B1086765	FAN BLADE TYPE 3 (M5, M6)
PCBEM102	PCB, ECM PRIMARY, VSTB
0131M00701	PROGRAMMED MOTOR (M1, M2)
0131M00702	PROGRAMMED MOTOR (M3, M4)
0131M00703	PROGRAMMED MOTOR (M5, M6)
0131M00704	PROGRAMMED MOTOR (M7, M8)
0131M00705	PROGRAMMED MOTOR (M9, M10)
0131M00723	PROGRAMMED MOTOR (M11, M12)
0130M00242	RELAY, 24V (M11, M12)
0130M00138	TRANSFORMER 208/230, 24V
0151M00050	VALVE, NXT (M11, M12)

### Expanded Model Nomenclature

M1 - DP15CH2441AA
M2 - DP15CH2441AB
M3 - DP15CH3041AA
M4 - DP15CH3041AB
M5 - DP15CH3641AA
M6 - DP15CH3641AB
M7 - DP15CH4241AA
M8 - DP15CH4241AB
M9 - DP15CH4841AA
M10 - DP15CH4841AB
M11 - DP15CH6041AA
M12 - DP15CH6041AB

# Cabinet Assembly



# Cabinet Assembly

Ref. Part No:	Ref. Part No:	Description:	Description:
<b>Image 1:</b>			
11	0121G00667NG	DUCT PANEL 27.5" (M1, M2, M3, M4, M5, M6)	
11	0121G00670NG	DUCT PANEL 27.5" (M7, M8)	
11	0121G00668NG	DUCT PANEL 32.5" (M9, M10, M11, M12)	
21	0121G00664NG	CORNER PANEL 27.5" (M1, M2, M3, M4, M5, M6, M7, M8)	
21	0121G00665NG	CORNER PANEL 32.5" (M9, M10, M11, M12)	
31	0121G00047NG	CORNER POST 27.5" (M3, M4, M5, M6, M7, M8)	
31	0121G00048NG	CORNER POST 32.5" (M9, M10, M11, M12)	
31	0121G00516NG	CORNER POST, 27.5" (M1, M2)	
41	0121G00271NG	EXTERNAL BLOWER PANEL 27.5" (M1, M2, M3, M4, M5, M6, M7, M8)	
41	0121G00272NG	EXTERNAL BLOWER PANEL 32.5" (M9, M10, M11, M12)	
51	0121G00276NG	EXTERNAL CONTROL BOX PANEL	
61	0121G00069NG	LOUVERED PANEL 4 BANK 27.5" (M3, M4, M5, M6, M7, M8)	
61	0121G00517NG	LOUVERED PANEL 4 BANK 27.5" (M1, M2)	
61	0121G00070NG	LOUVERED PANEL 4 BANK 32.5" (M9, M10, M11, M12)	
71	0121G00072NG	LOUVERED PANEL 5 BANK 27.5" (M1, M2, M3, M4, M5, M6, M7, M8)	
71	0121G00073NG	LOUVERED PANEL 5 BANK 32.5" (M9, M10, M11, M12)	
81	0121G00065NG	PNL, EVAP, 8.75" X 27.5" (M1, M2, M3, M4, M5, M6, M7, M8)	
81	0121G00066NG	PNL, EVAP, 8.75" X 32.5" (M9, M10, M11, M12)	
91	B1392012	GROMMET / HS 1.0 - .79	
101	0121G00711NG	COMPRESSOR PANEL (M2, M8)	
101	0121G00712NG	COMPRESSOR PANEL (M10, M12)	
101	0121G00713NG	COMPRESSOR PANEL (M4, M6)	
101	0121G00062NG	COMPRESSOR PANEL 13.68" X 27.50" (M3, M5)	
101	0121G00060NG	COMPRESSOR PANEL 8.75" X 32.50" (M9, M11)	
101	0121G00059NG	COMPRESSOR PANEL, 8.75" X 27.50" (M1, M7)	
111	0121G00069NG	LOUVERED PANEL 4 BANK 27.5" (M3, M4, M5, M6, M7, M8)	
111	0121G00517NG	LOUVERED PANEL 4 BANK 27.5" (M1, M2)	
111	0121G00070NG	LOUVERED PANEL 4 BANK 32.5" (M9, M10, M11, M12)	
NS	0164G00005	GROMMET-HORSESHOE 1.675 (M2, M4, M6, M8, M10, M12)	

## Expanded Model Nomenclature

M1 - DP15CH2441AA
M2 - DP15CH2441AB
M3 - DP15CH3041AA
M4 - DP15CH3041AB
M5 - DP15CH3641AA
M6 - DP15CH3641AB
M7 - DP15CH4241AA
M8 - DP15CH4241AB
M9 - DP15CH4841AA
M10 - DP15CH4841AB
M11 - DP15CH6041AA
M12 - DP15CH6041AB

# Chassis Assembly

Image 1

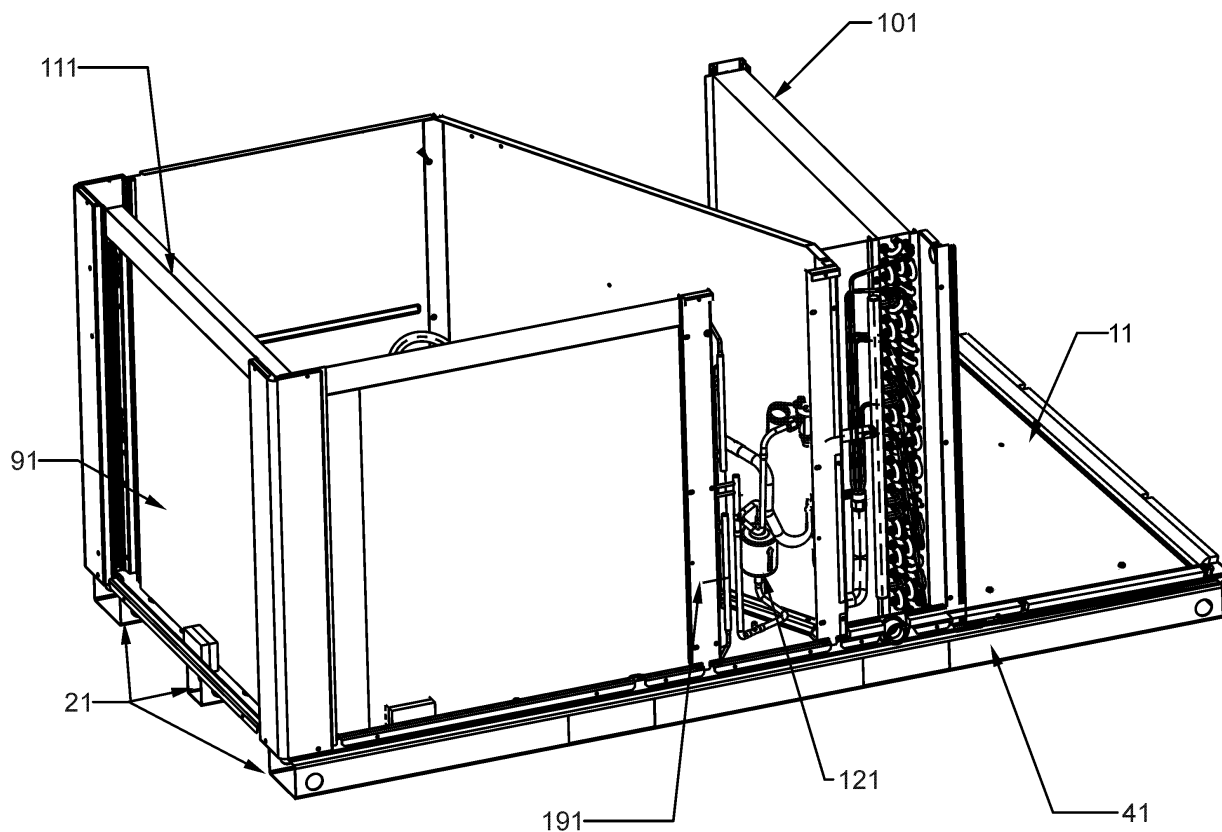
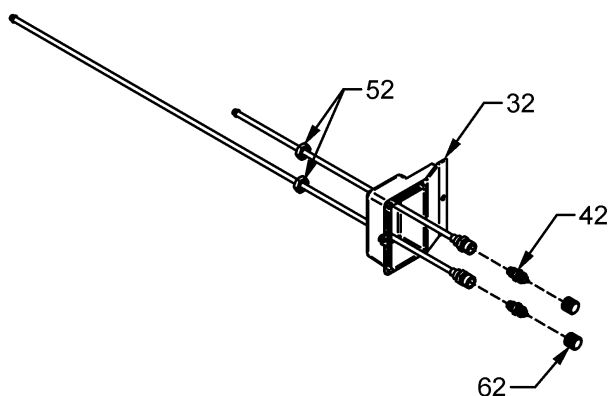


Image 2



# Chassis Assembly

Ref. Part No: No:	Description:	Ref. Part No: No:	Description:
-------------------	--------------	-------------------	--------------

**Image 1:**

11	0121G00046P	INSULATED ASSY, BASEPAN
21	0121G00044PRF	BASEPAN RAIL (QTY 2)
41	0161G00000P	DRIP PAN
91	0201G00308	CONDENSER COIL ASSY (M1, M2)
91	0201G00334	CONDENSER COIL ASSY (M9, M10, M11, M12)
91	0201G00382	CONDENSER COIL ASSY (M7, M8)
91	0201G00183	TUBING ASSY, COND COIL (M3, M4, M5, M6)
101	0202G00663	EVAP COIL TUBING ASSY (M11, M12)
101	0202G00690	EVAP COIL TUBING ASSY (M7, M8)
101	0202G00695	EVAP COIL TUBING ASSY (M9, M10)
101	0202G00696	EVAP COIL TUBING ASSY (M5, M6)
101	0202G00709	EVAP COIL TUBING ASSY (M1, M2)
101	0202G00710	EVAP COIL TUBING ASSY (M3, M4)
111	0121G00368	CONDENSER COIL BLOCKOFF (M3, M4, M5, M6)
111	0121G00372	CONDENSER COIL BLOCKOFF (M9, M10, M11, M12)
111	0121G00519	CONDENSER COIL BLOCKOFF (M1, M2)
111	0121G00624	CONDENSER COIL BLOCKOFF (M7, M8)
121	B1219212	SINGLE-FLOW FILTER DRIER, STEEL (M1, M2, M3, M4, M5, M6)
121	B1219225	SINGLE-FLOW FILTER DRIER, STEEL (M7, M8, M9, M10, M11, M12)
191	0121G00045P	POST 27.5" (M1, M2, M3, M4, M5, M6)
191	0121G00628	POST 27.5" (M7, M8)
191	0121G00565	POST 32.5" (M9, M10, M11, M12)
NS	0130M00074	CUT-OUT SWITCH, HIGH PRESSURE (M11, M12)
NS	0128G00052	EVAP DRIP SHIELD
NS	0162M00305	FLOWRATOR, AL (M9, M10)
NS	0162M00320	FLOWRATOR, AL (M7, M8)
NS	0162M00326	FLOWRATOR, AL (M5, M6)
NS	0162M00327	FLOWRATOR, AL (M3, M4)
NS	0162M00363	FLOWRATOR, AL (M1, M2)
NS	0151M00050	VALVE, NXT (M11, M12)

**Image 2:**

32	0161G00008	ACCESS-FITTING BOX (M1, M3, M5, M7, M9, M11)
42	B1373315	ACCESS FITTING (QTY 2)
52	0163G00000P	FASTEST FITTING NUT (M1, M3, M5, M7, M9, M11)
62	0163M00175	CAP WITH O-RING (QTY 2)

**Expanded Model Nomenclature**

M1 - DP15CH2441AA
M2 - DP15CH2441AB
M3 - DP15CH3041AA
M4 - DP15CH3041AB
M5 - DP15CH3641AA
M6 - DP15CH3641AB
M7 - DP15CH4241AA
M8 - DP15CH4241AB
M9 - DP15CH4841AA
M10 - DP15CH4841AB
M11 - DP15CH6041AA
M12 - DP15CH6041AB

# Compressor and Top Panel Assembly

Image 1

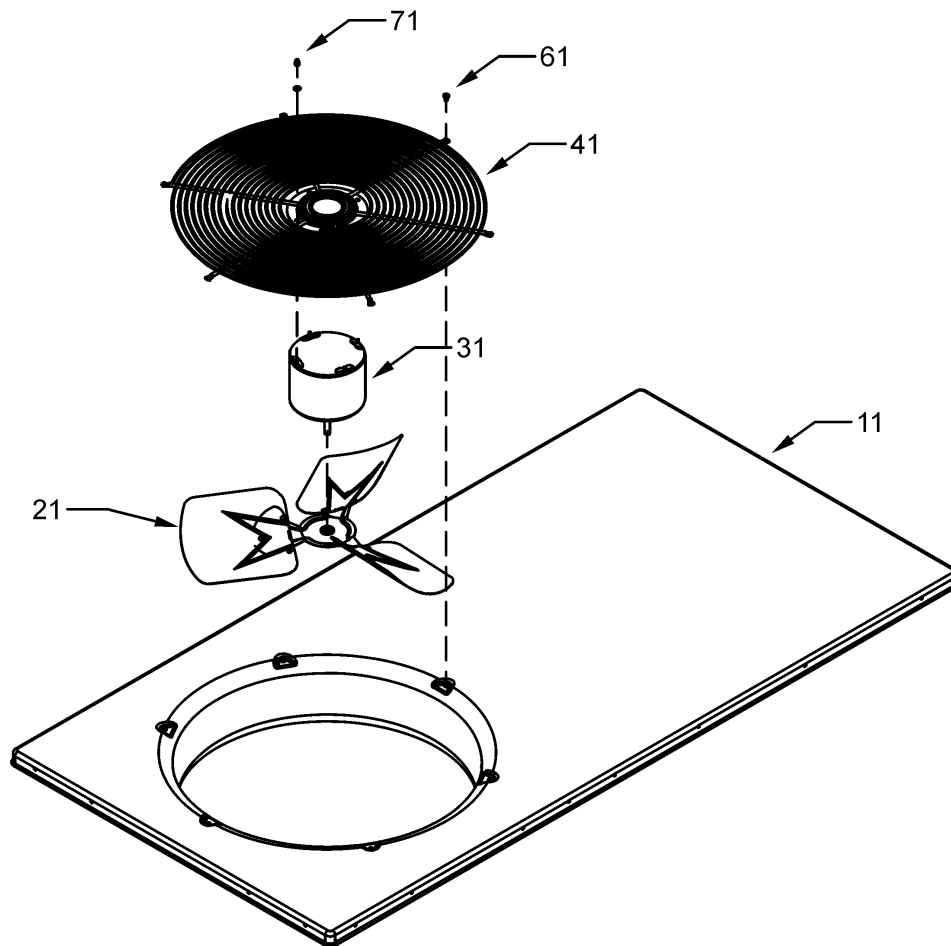
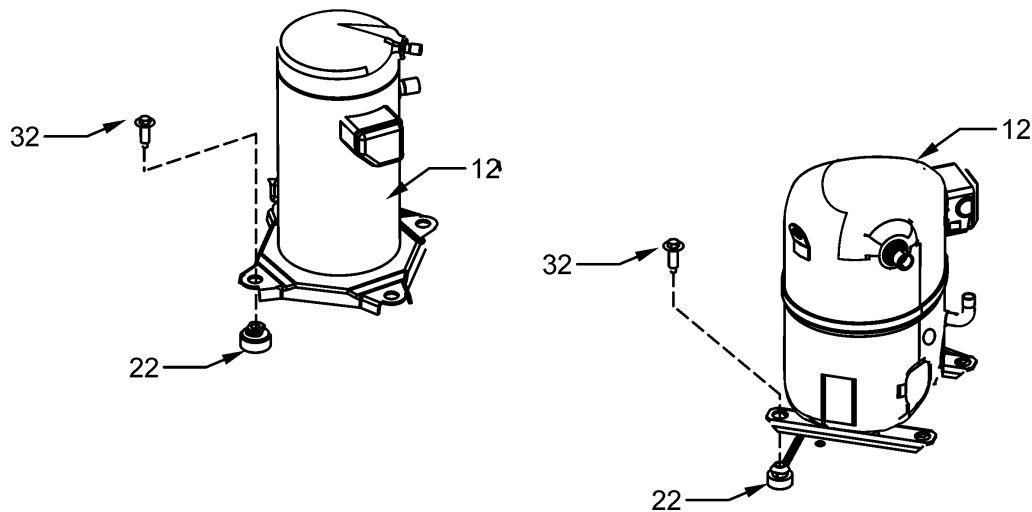


Image 2



# Compressor and Top Panel Assembly

Ref. Part No: No:	Description:	Ref. Part No: No:	Description:
-------------------	--------------	-------------------	--------------

**Image 1:**

11	0121G00274NG	TOP PANEL PAINTED
21	0150G00004	FAN BLADE (M7, M8, M9, M10, M11, M12)
21	0150G00005	FAN BLADE (M1, M2, M3, M4)
21	B1086765	FAN BLADE TYPE 3 (M5, M6)
31	0131M00061	COND MOTOR 1/4 HP, 1 SP, 8 PL (M5, M6)
31	0131M00429	COND MOTOR 1/4 HP, 1 SP, 6 PL (M7, M8, M9, M10, M11, M12)
31	0131M00009P	COND MOTOR 1/6 HP, 1 SP, 8 PL (M1, M2, M3,
41	0152G00003	FAN GRILLE
61	M0221817	SMALL SCREW (QTY 4)
71	0163M00006P	ACORN NUT 5/16 HEX BLACK (QTY 4)
NS	17788000083F	PVC CONDUIT 8.25"

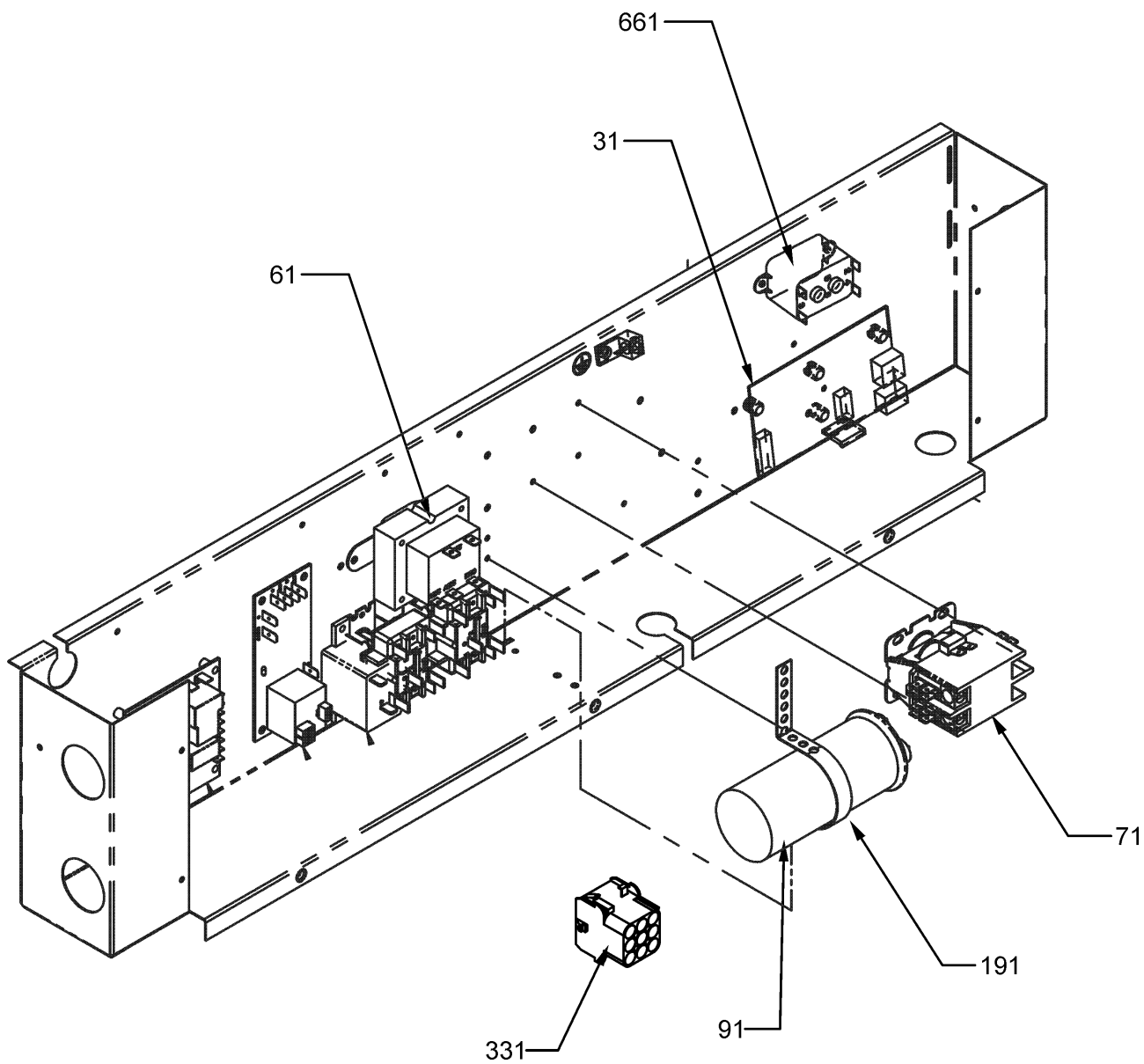
**Image 2:**

12	ZPS51K5EPFV130	COMP, 51900/208/230/60/1 (M11, M12)
12	ZP20K5EPFV130	COMPRESSOR 20000, 208/230/60/1 (M1, M2)
12	ZP25K5EPFV130	COMPRESSOR 25200, 208/230/60/1 (M3, M4)
12	ZP31K5EPFV130	COMPRESSOR 31100, 208/230/60/1 (M5, M6)
12	ZP34K5EPFV130	COMPRESSOR 34500, 208/230/60/1 (M7, M8)
12	ZP39K5EPFV130	COMPRESSOR 39000, 208/230/60/1 (M9, M10)
22	B1339530	COMPRESSOR GROMMET (M1, M2)
22	B1339533	COMPRESSOR GROMMET (M3, M4, M5, M6, M7, M8, M9, M10, M11, M12)
32	M0221641	TF SHOULDER SCREW (QTY 4)
NS	0159G00004	COMPRESSOR SCROLL HARNESS
NS	0159G00010	COMPRESSOR SOLENOID CABLE (M11, M12)
NS	B1488806	COMPRESSOR SOUND BLANKET (M7, M8, M9, M10, M11, M12)
NS	B1488807	COMPRESSOR SOUND BLANKET (M1, M2, M3, M4, M5, M6)

**Expanded Model Nomenclature**

M1 - DP15CH2441AA
M2 - DP15CH2441AB
M3 - DP15CH3041AA
M4 - DP15CH3041AB
M5 - DP15CH3641AA
M6 - DP15CH3641AB
M7 - DP15CH4241AA
M8 - DP15CH4241AB
M9 - DP15CH4841AA
M10 - DP15CH4841AB
M11 - DP15CH6041AA
M12 - DP15CH6041AB

# Control Box Assembly



# Control Box Assembly

Ref. Part No:	Ref. Part No:	Description:	Description:
---------------	---------------	--------------	--------------

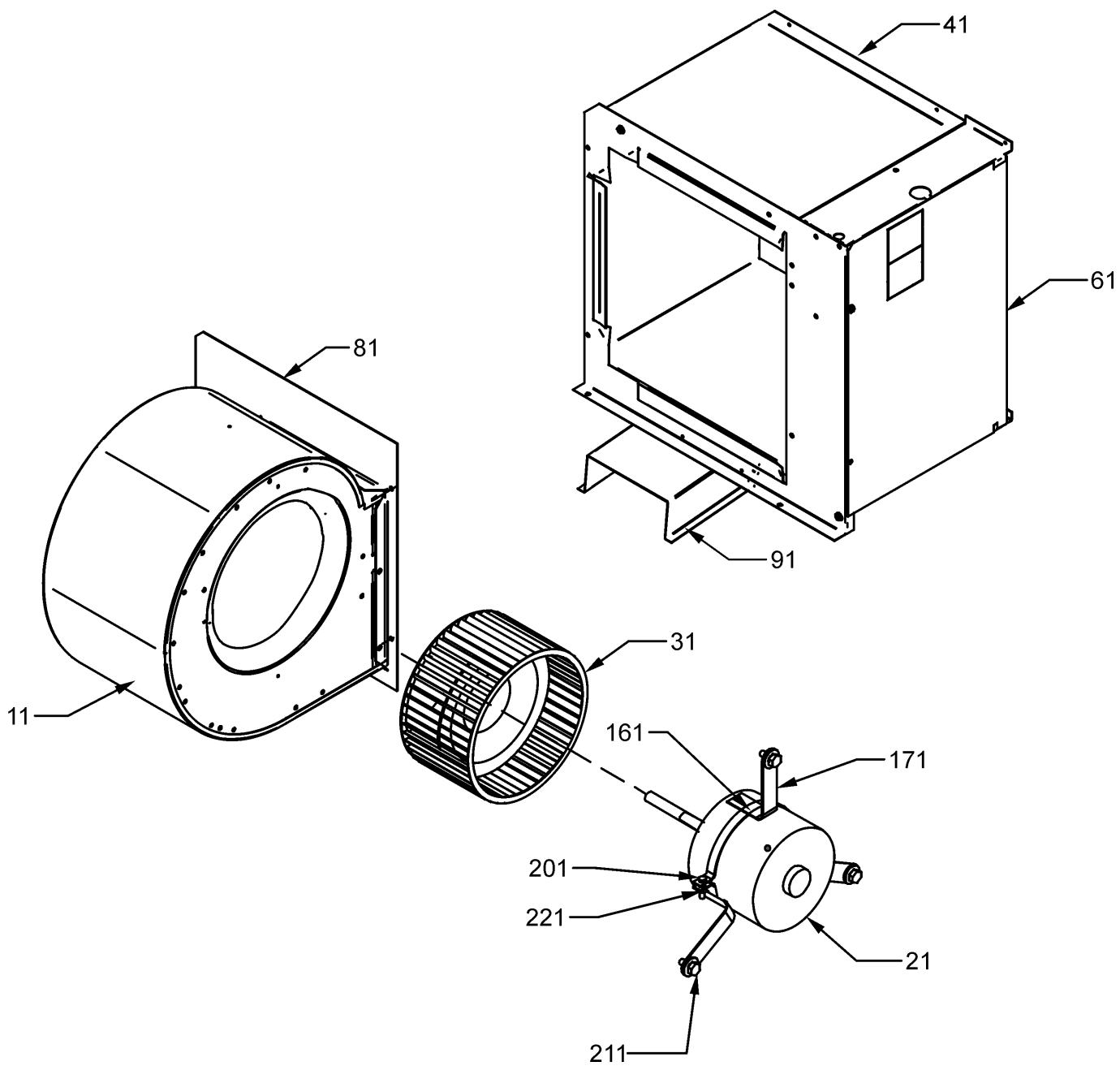
**Image 1:**

31	PCBEM102	PCB, ECM PRIMARY, VSTB
61	0130M00138	TRANSFORMER 208/230, 24V
71	CONT1P025024V	CONTACTOR 25 AMP, 1P, 24V (M1, M2, M3, M4, M5, M6)
71	CONT1P030024V	CONTACTOR 30 AMP, 1P, 24V (M7, M8, M9, M10)
71	CONT2P040024V	CONTACTOR 40 AMP, 2P, 24V (M11, M12)
91	CAP050350440CS	CAPACITOR 5/35/440V (M1, M2)
91	CAP050400440CT	CAPACITOR 5/40/440V/DUAL RD (M3, M4, M5, M6, M11, M12)
91	CAP050450440CT	CAPACITOR 5/45/440V/DUAL RD (M7, M8, M9, M10)
191	20520901	CAPACITOR STRAP
331	0259G00216	WIRE HARNESS, ELECTRIC HEAT
661	0130M00242	RELAY, 24V (M11, M12)
NS	B1378701	WIRE HARNESS, HIGH VOLTAGE (5-PIN ECM)
NS	B1378700	WIRE HARNESS, LOW VOLTAGE (16-PIN ECM)

**Expanded Model Nomenclature**

- |                    |
|--------------------|
| M1 - DP15CH2441AA  |
| M2 - DP15CH2441AB  |
| M3 - DP15CH3041AA  |
| M4 - DP15CH3041AB  |
| M5 - DP15CH3641AA  |
| M6 - DP15CH3641AB  |
| M7 - DP15CH4241AA  |
| M8 - DP15CH4241AB  |
| M9 - DP15CH4841AA  |
| M10 - DP15CH4841AB |
| M11 - DP15CH6041AA |
| M12 - DP15CH6041AB |

# Blower Assembly



# Blower Assembly

Ref. Part No:	Description:	Ref. Part No:	Description:
---------------	--------------	---------------	--------------

**Image 1:**

11	10324248	BLOWER HOUSING 10 X 8
21	0131M00701	PROGRAMMED MOTOR (M1, M2)
21	0131M00702	PROGRAMMED MOTOR (M3, M4)
21	0131M00703	PROGRAMMED MOTOR (M5, M6)
21	0131M00704	PROGRAMMED MOTOR (M7, M8)
21	0131M00705	PROGRAMMED MOTOR (M9, M10)
21	0131M00723	PROGRAMMED MOTOR (M11, M12)
31	B1368016	BLOWER WHEEL 10 X 8
41	0270G00025P	TRANSITION DUCT ASSY-ALL
61	0121G00039P	HEATER KIT COVER
81	0121G00035P	BLOWER MOUNT 10 X 8
91	0121G00040P	BLOWER SUPPORT
161	0121M00038	MOTOR MOUNT BAND
171	B1376853	MOTOR MOUNT ARM (QTY 3)
201	B1393323	MACHINE SCREW HWH 1/4-20 X 1-1/2 BZ
211	M0250565	TC SCREW 1.25" (QTY 3)
221	B1393800	LOCKNUT, NYLON, INSERT 1/4, 20
NS	C6121810	BLOWER CUT-OFF

**Expanded Model Nomenclature**

M1 - DP15CH2441AA
M2 - DP15CH2441AB
M3 - DP15CH3041AA
M4 - DP15CH3041AB
M5 - DP15CH3641AA
M6 - DP15CH3641AB
M7 - DP15CH4241AA
M8 - DP15CH4241AB
M9 - DP15CH4841AA
M10 - DP15CH4841AB
M11 - DP15CH6041AA
M12 - DP15CH6041AB