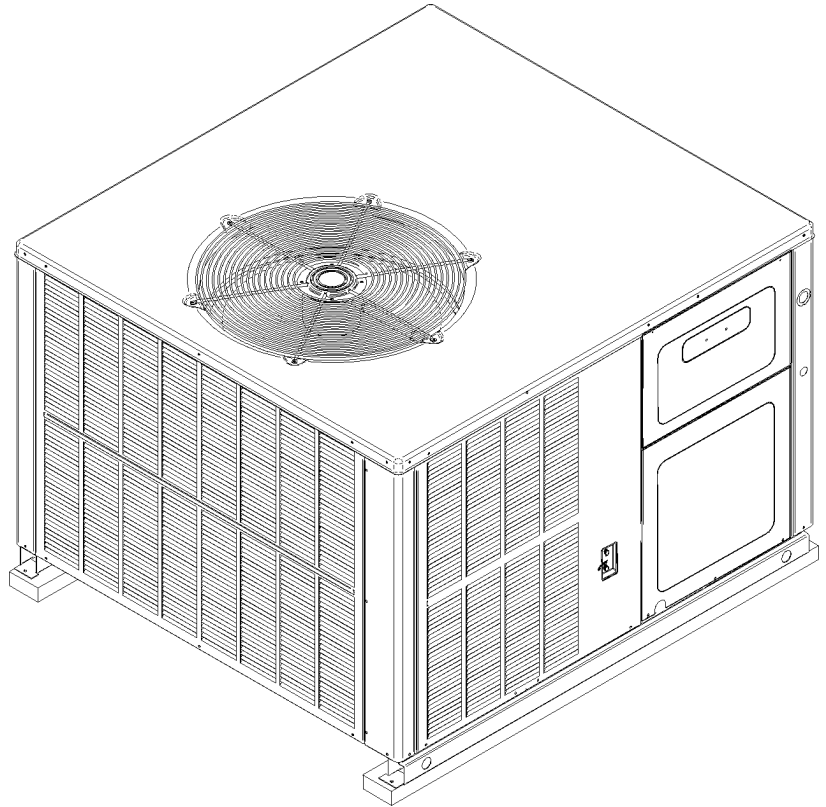


**DP14HM 3-Phase Multi-Position
Residential Package Heat Pump [EXPORT]**

DP14HM604EAA



This manual is to be used by qualified technicians only.

© 2017 **DAIKIN COMPANY, L.P.** ♦ 5151 San Felipe St., Suite 500 ♦ Houston, TX 77056

Important Information

Index

Functional Parts List	3
Illustration and Parts	4 - 11

Views shown are for parts illustrations only, not servicing procedures

Text Codes:

AR - As Required

NA - Not Available

NS - Not Shown

00000000 - See Note

QTY - Quantity Example (QTY 3) (If Quantity not shown, Quantity = 1)

M - Model Example (M1) (If M Code not shown, then part is used on all Models)

Expanded Model Nomenclature:

Example M1 - Model#1 M2 - Model#2 M3 - Model#3

Daikin Company, L.P. is not responsible for personal injury or property damage resulting from improper service. Review all service information before beginning repairs.

Warranty service must be performed by an authorized technician, using authorized factory parts. If service is required after the warranty expires, Daikin Company, L.P. also recommends contacting an authorized technician and using authorized factory parts.

Daikin Company, L.P. reserves the right to discontinue, or change at any time, specifications or designs without notice or without incurring obligations.

For assistance within the U.S.A. contact:

Homeowner Support
Daikin North America, LLC
19001 Kermier Road
Waller, Texas 77484
855-770-5678-Telephone
713-863-2382-Facsimile

For assistance outside the U.S.A. contact:

International Division
Daikin North America, LLC
19001 Kermier Road
Waller, Texas 77484
713-861-2500-Telephone
713-863-2382-Facsimile

Functional Parts

Part

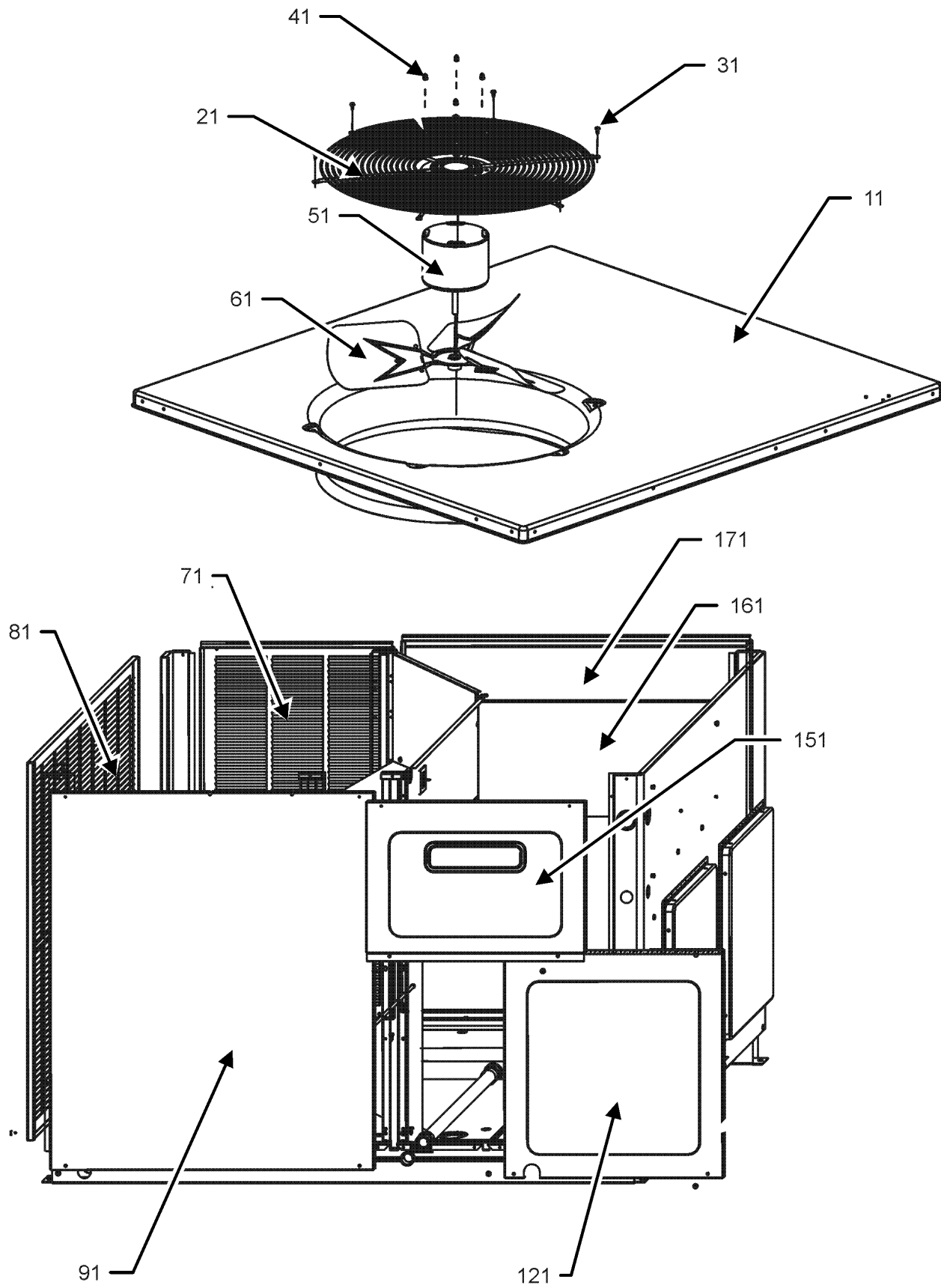
No: Description:

D6723303	BLOWER WHEEL
CAP075000370LA	CAPACITOR 7.5/370V
ZP61KCETFD130	COMPRESSOR 61500, 460/60/3
0131M00642	COND MOTOR 1/3 HP, 460V, 60 CYCLE
CONT2P040024V	CONTACTOR 40 AMP, 2P, 24V
CONT3P040024V	CONTACTOR 40 AMP, 3P, 24V
0130M00197	CONTROL, DEFROST
0130L00018	CRANK CASE HEATER-70W, 480V
0130M00074	CUT-OUT SWITCH, HIGH PRESSURE
0130M00075	CUT-OUT SWITCH, LOW PRESSURE
PCBDM133	DEFROST CONTROL BOARD
10625733	FAN BLADE 22" ALUM CCW
0131M00759	PROGRAMMED MOTOR
0151R00071	REVERSING VALVE
B1225022	SOLENOID COIL
0130M00199	SWITCH, CRANK CASE HEATER
0130M00081	TRANSFORMER, 380/415V-24V,75VA

Expanded Model Nomenclature

M1 - DP14HM604EAA

Top and Cabinet Assembly



Top and Cabinet Assembly

Ref. Part No: No:	Description:	Ref. Part No: No:	Description:
-------------------	--------------	-------------------	--------------

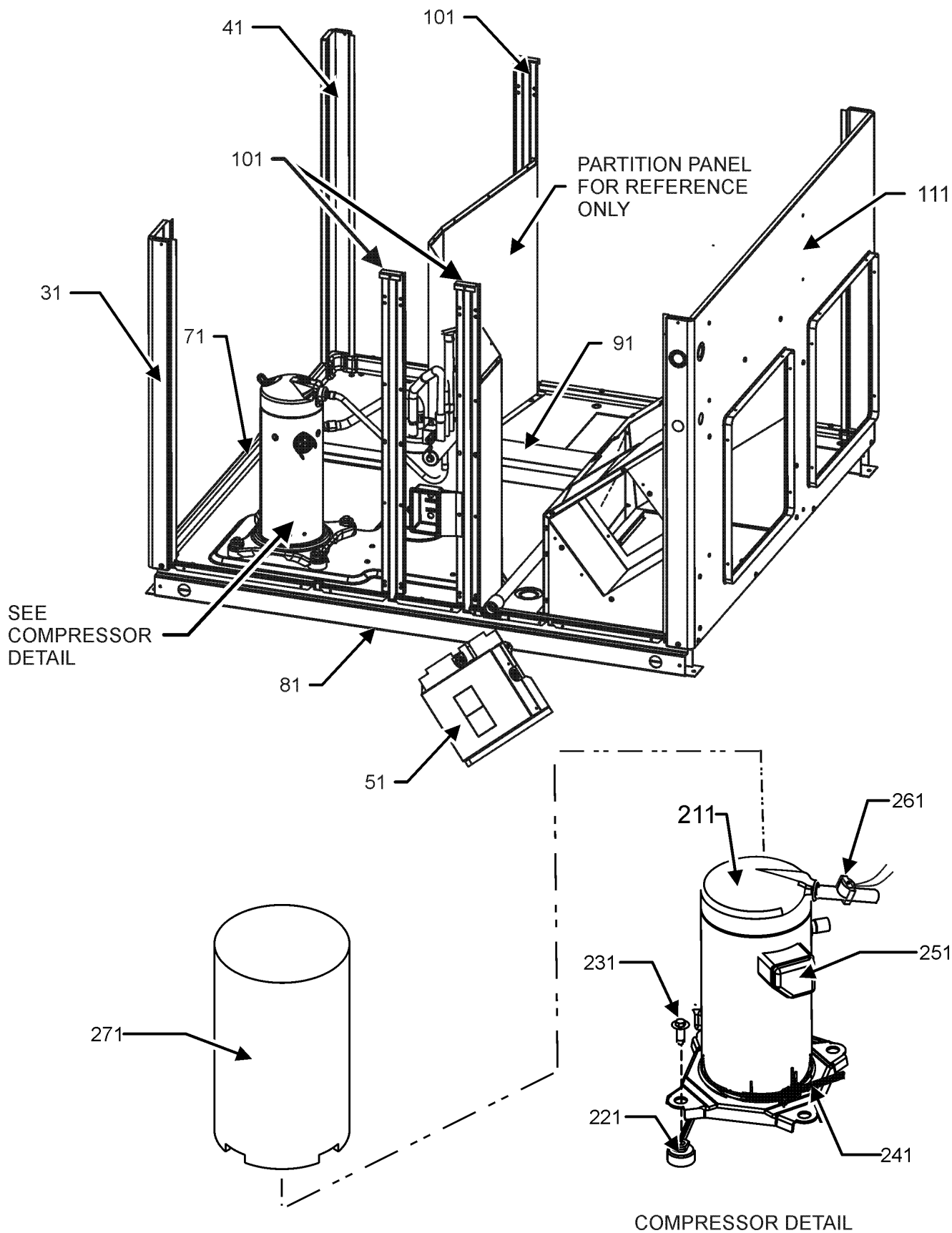
Image 1:

11	0121G00156NG	PNL, TOP, PNT
21	0152G00000	FAN GRILLE, RAISED
31	M0221817	SMALL SCREW (QTY 6)
41	0163M00006P	ACORN NUT 5/16 HEX BLACK (QTY 4)
51	0131M00642	COND MOTOR 1/3 HP, 460V, 60 CYCLE
61	10625733	FAN BLADE 22" ALUM CCW
71	20467702NG	LOUVERED PANEL, COND SIDE 40"
81	0121G00729NG	LOUVERED PANEL, COND SIDE 40"
91	0121G00663NG	COMPRESSOR PANEL
121	0121G00168NG	PNL, BLO, CNVRT, 40", PNT
151	0121G00213NG	PNL, CB, CNVRT, PNT
161	0121G00591	BLK-OFF, EVAP, TOP, CNVRT
171	20464806NG	BLOWER DOOR 40"
191	17788000083F	PVC CONDUIT 8.25"
NS	0121G00727	CHANNEL-LOUVER PANEL
NS	0121G00235	FAN BAFFLE
NS	0164G00005	GROMMET-HORSESHOE 1.675

Expanded Model Nomenclature

M1 - DP14HM604EAA

Compressor and Panel Assembly



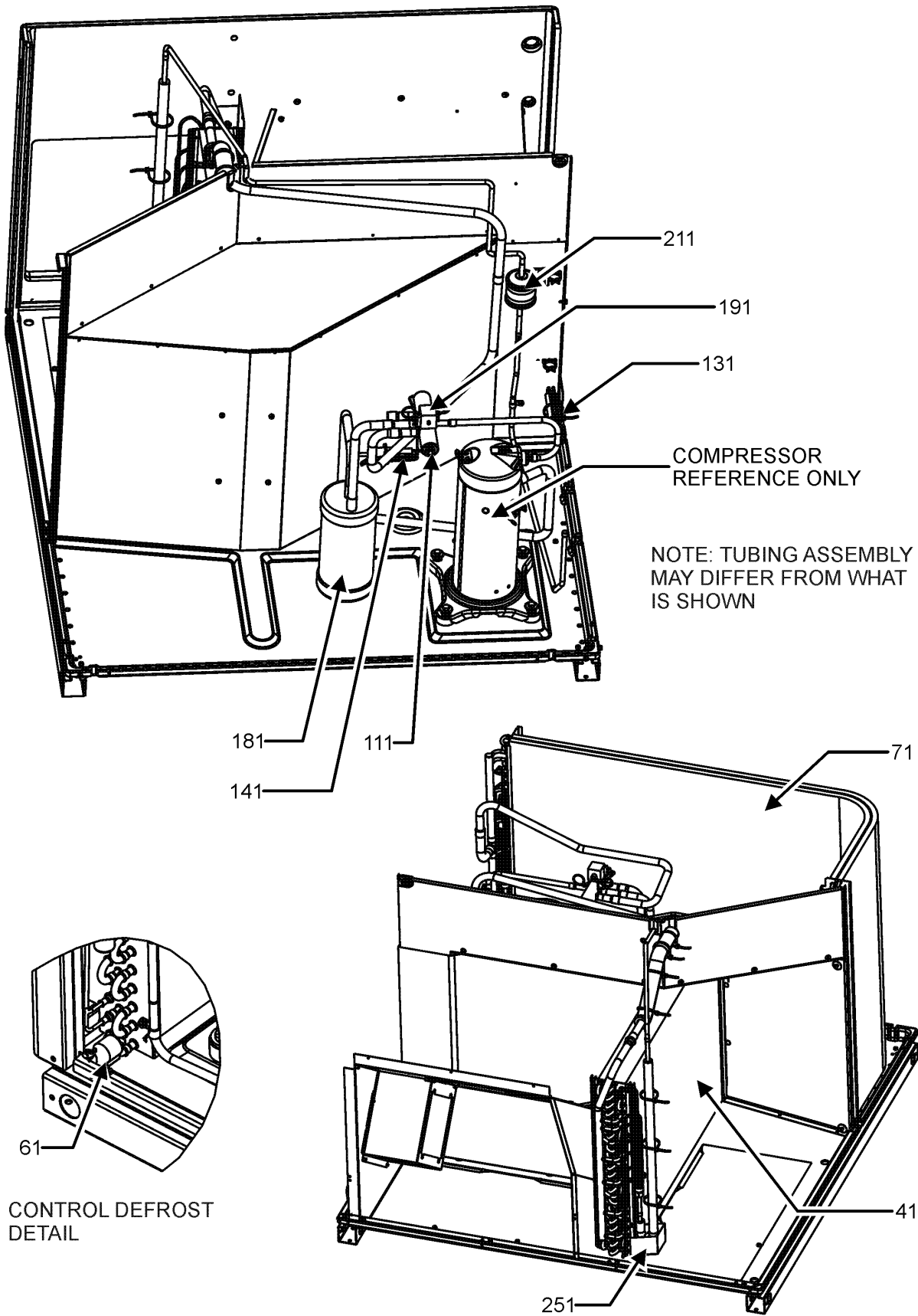
Compressor and Panel Assembly

Ref. Part No: No:	Description:	Ref. Part No: No:	Description:
<i>Image 1:</i>			
31	20464202NG		CORNER POST-COMP END 40"
41	20464302NG		CORNER POST-HAIRPIN END 40"
51	0121G00725		COVER, HK (QTY 2)
71	0121G00444		BASEPAN, PACKAGE
81	0121G00290		BASE PAN RAIL (QTY 2)
91	0161G00003		PLASTIC DRIP PAN
101	0121G00615		POST-SUPPORT, SIDE 40 (QTY 2)
111	0121G00672NG		PNL, DUCT, CNVRT, 40" PNT
211	ZP61KCETFD130		COMPRESSOR 61500, 460/60/3
221	B1339533		COMPRESSOR GROMMET (QTY 4)
231	M0221641		TF SHOULDER SCREW (QTY 4)
241	0130L00018		CRANK CASE HEATER-70W, 480V
251	0159G00014		HARNESS-COMP SCROLL
261	0130M00199		SWITCH, CRANK CASE HEATER
271	B1488806		COMPRESSOR SOUND BLANKET

Expanded Model Nomenclature

M1 - DP14HM604EAA

Tubing and Coil Assembly



Tubing and Coil Assembly

Ref. Part No: No:	Description:	Ref. Part No: No:	Description:
-------------------	--------------	-------------------	--------------

Image 1:

41	0202G00720	COIL TUBING ASSY
61	0130M00197	CONTROL, DEFROST
71	0201G00396	COIL SLAB CIRCUITED
111	0151R00071	REVERSING VALVE
131	0130M00074	CUT-OUT SWITCH, HIGH PRESSURE
141	0130M00075	CUT-OUT SWITCH, LOW PRESSURE
181	B1226207	ACCUMULATOR .875
191	B1225022	SOLENOID COIL
211	20485201	BI-FLOW FILTER DRIER
251	0121G00509	DRIP SHIELD
NS	0121G00148	SINGLE COVER, DOWN DISCHARGE (QTY 2)

Expanded Model Nomenclature

M1 - DP14HM604EAA

Control Panel and Blower Assembly

IMAGE 1

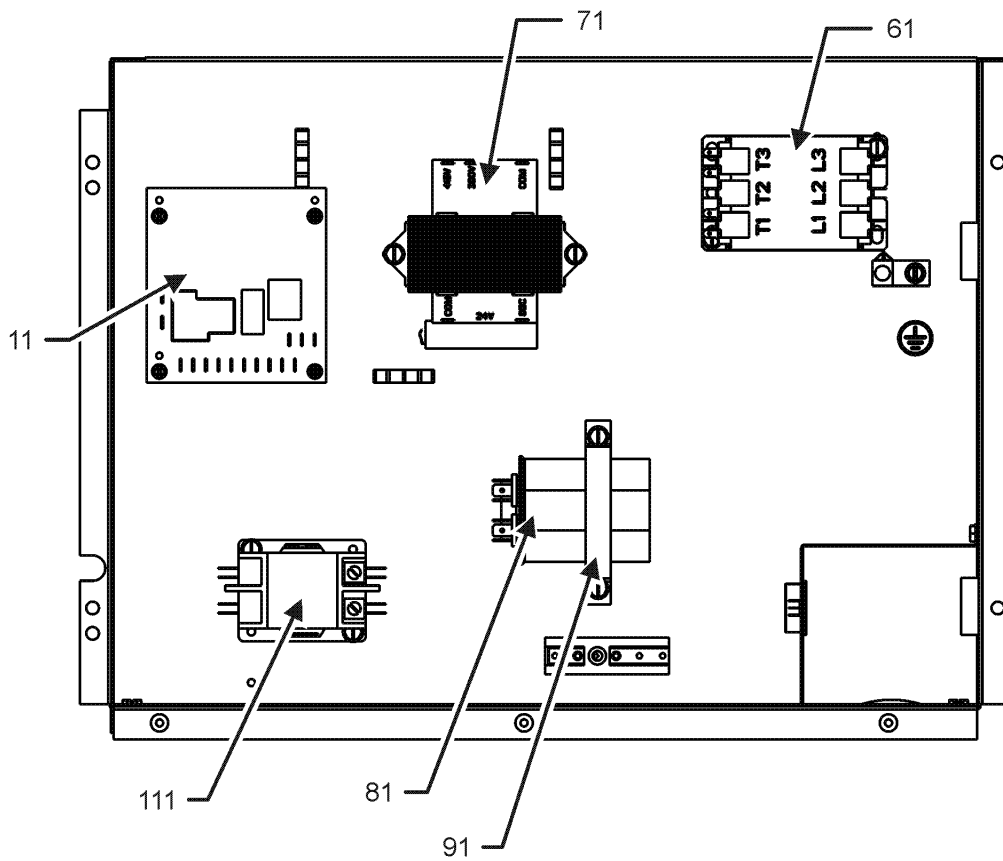
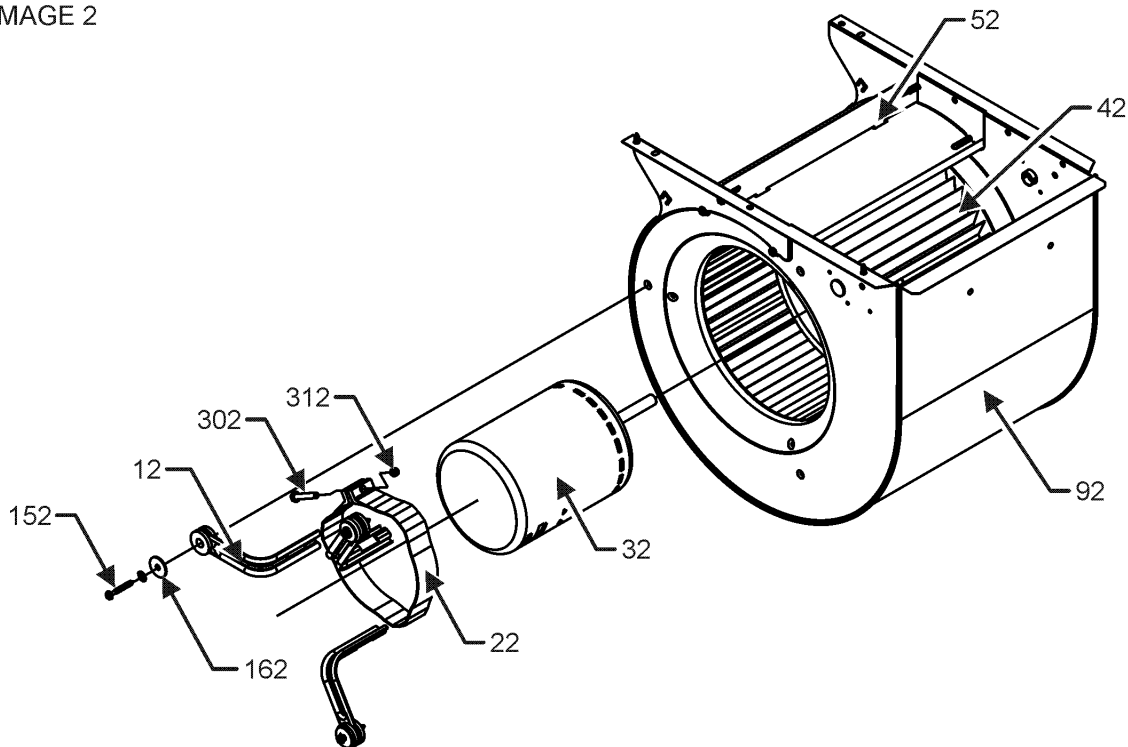


IMAGE 2



Control Panel and Blower Assembly

Ref. Part No: No:	Description:	Ref. Part No: No:	Description:
-------------------	--------------	-------------------	--------------

Image 1:

11	PCBDM133	DEFROST CONTROL BOARD
61	CONT3P040024V	CONTACTOR 40 AMP, 3P, 24V
71	0130M00081	TRANSFORMER, 380/415V-24V,75VA
81	CAP075000370LA	CAPACITOR 7.5/370V
91	20520901	CAPACITOR STRAP
111	CONT2P040024V	CONTACTOR 40 AMP, 2P, 24V
NS	0259G00260	COMPRESSOR HARNESS ASSY
NS	0259G00217	HARNESS, 12-PIN, FEMALE
NS	0259G00261	HARNESS, CONTROL
NS	0259G00172	WIRE HARNESS ASSY
NS	0259G00219	WIRE HARNESS-FAN

Image 2:

12	B1376857	MOTOR MOUNT ARM (QTY 3)
22	0121M00038	MOTOR MOUNT BAND
32	0131M00759	PROGRAMMED MOTOR
42	D6723303	BLOWER WHEEL
52	764742	BLOWER BLOCK-OFF
92	0271G00024	BLOWER HOUSING ASSY 10 X 9
152	M0250565	TC SCREW 1.25" (QTY 3)
162	B1392918	WASHER, FLAT 1/4 ID 1 1OD (QTY 3)
302	B1393323	MACHINE SCREW HWH 1/4-20 X 1-1/2 BZ
312	B1393800	LOCKNUT, NYLON, INSERT 1/4, 20
NS	0259G00155	BLOWER HARNESS ASSEMBLY

Expanded Model Nomenclature

M1 - DP14HM604EAA