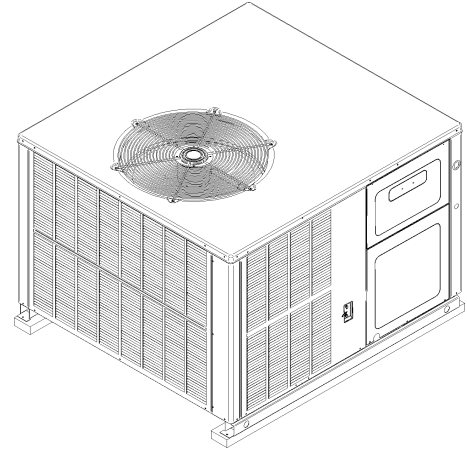


## DP14HM Multi-Position Residential Package Heat Pump

DP14HM2441AC

DP14HM3041AC



This manual is to be used by qualified technicians only.

# Important Information

---

## Index

Functional Parts List .....	3
Illustration and Parts .....	4 - 11

*Views shown are for parts illustrations only, not servicing procedures*

### Text Codes:

AR - As Required

NA - Not Available

NS - Not Shown

00000000 - See Note

QTY - Quantity Example (QTY 3) (If Quantity not shown, Quantity = 1)

M - Model Example (M1) (If M Code not shown, then part is used on all Models)

### Expanded Model Nomenclature:

Example M1 - Model#1 M2 - Model#2 M3 - Model#3
---

Daikin Manufacturing Company, L.P. is not responsible for personal injury or property damage resulting from improper service. Review all service information before beginning repairs.

Warranty service must be performed by an authorized technician, using authorized factory parts. If service is required after the warranty expires, Daikin Manufacturing Company, L.P. also recommends contacting an authorized technician and using authorized factory parts.

Daikin Manufacturing Company, L.P. reserves the right to discontinue, or change at any time, specifications or designs without notice or without incurring obligations.

For assistance within the U.S.A. contact:

Homeowner Support  
Daikin North America, LLC  
19001 Kermier Road  
Waller, Texas 77484  
855-770-5678-Telephone  
713-863-2382-Facsimile

For assistance outside the U.S.A. contact:

International Division  
Daikin North America, LLC  
19001 Kermier Road  
Waller, Texas 77484  
713-861-2500-Telephone  
713-863-2382-Facsimile

# Functional Parts

## Part

## No: Description:

---

D6723303	BLOWER WHEEL
CAP050400440CT	CAPACITOR 5/40/440V/DUAL RD
ZP21K5EPFV130	COMPRESSOR 21300, 208/230/60/1 (M1)
ZP25K5EPFV130	COMPRESSOR 25200, 208/230/60/1 (M2)
CONT1P025024V	CONTACTOR 25 AMP, 1P, 24V
0130M00197	CONTROL, DEFROST
0131M00750M	CONTROLLERLESS MOTOR
PCBDM133	DEFROST CONTROL BOARD
0150M00008	FAN BLADE 22" TNT2203-25
0130M00074	HIGH PRESSURE SWITCH
0130M00075	LOW PRESSURE SWITCH
0131M00951	Motor, OD, PSC, 1/4 HP
0131G00022	PROGRAMMED CONTROLLER (M1)
0131G00023	PROGRAMMED CONTROLLER (M2)
0151R00069	REVERSING VALVE (M2)
0151R00068	REVERSING VALVE (M1)
B1225022	SOLENOID COIL
0130M00138	TRANSFORMER 208/230, 24V

### Expanded Model Nomenclature

M1 - DP14HM2441AC

M2 - DP14HM3041AC

# Cabinet Assembly

Image 1

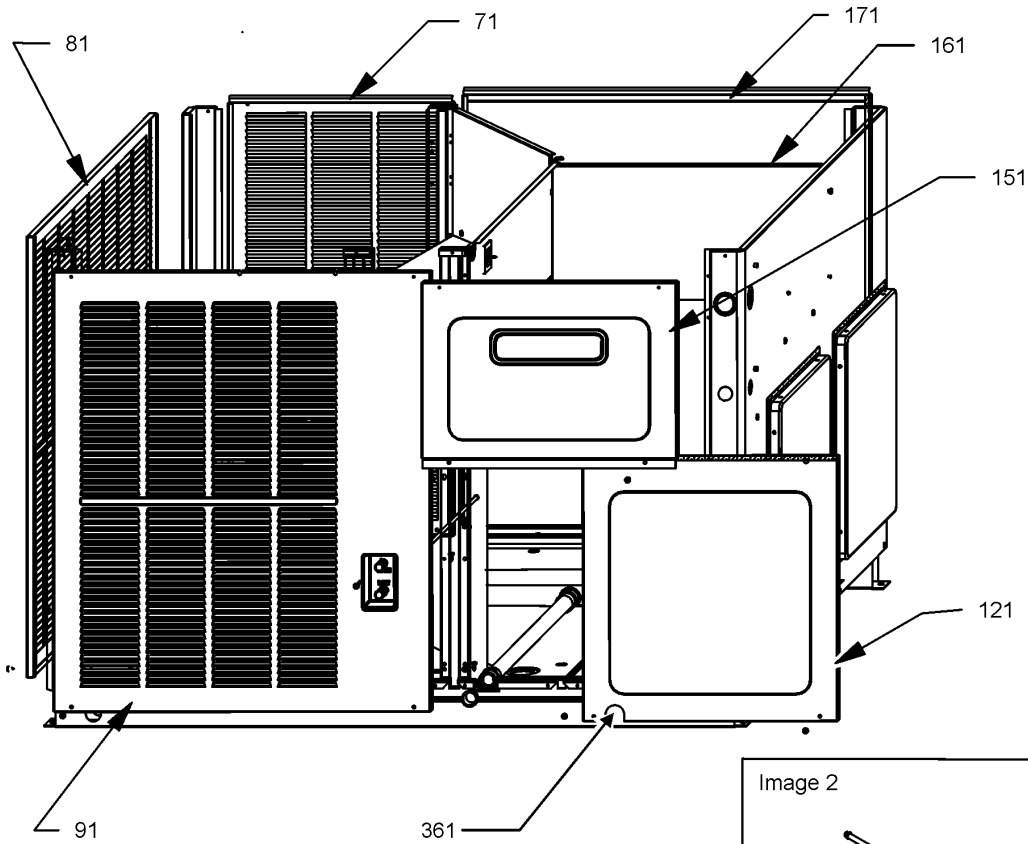
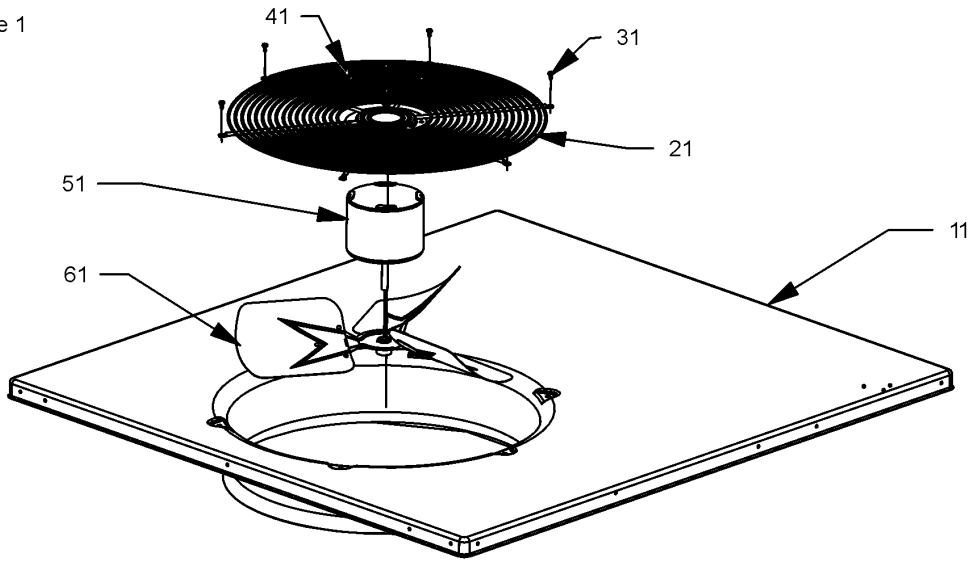
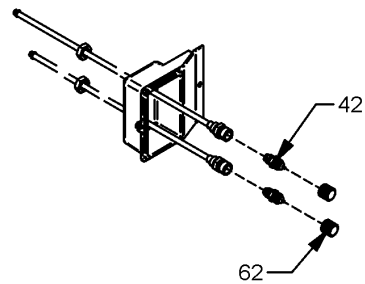


Image 2



# Cabinet Assembly

Ref. Part No:	No:	Description:	Ref. Part No:	No:	Description:
---------------	-----	--------------	---------------	-----	--------------

---

**Image 1:**

11	0121G00156NG	PNL, TOP, PNT
21	0152G00003	FAN GRILLE
31	M0221817	SCREW-SM (QTY 2)
41	0163M00006P	ACORN NUT 5/16 HEX BLACK (QTY 4)
51	0131M00951	Motor, OD, PSC, 1/4 HP
61	0150M00008	FAN BLADE 22" TNT2203-25
71	20467701NG	LOUVERED PANEL, COND SIDE 32"
81	0121G00728NG	PANEL-COND LOUVERED 32
91	0121G00662NG	COMPRESSOR PANEL
121	0121G00165NG	PNL, BLO, CNVRT, 32.5", PNT
151	0121G00213NG	PNL, CB, CNVRT,PNT
161	0121G00592	BLK-OFF, EVAP, TOP, CNVRT
171	20464801NG	BLOWER DOOR 32"
361	0164G00005	GROMMET-HORSESHOE 1.675
NS	0161G00016	CONDUIT PVC
NS	0121G00235	FAN BAFFLE

**Image 2:**

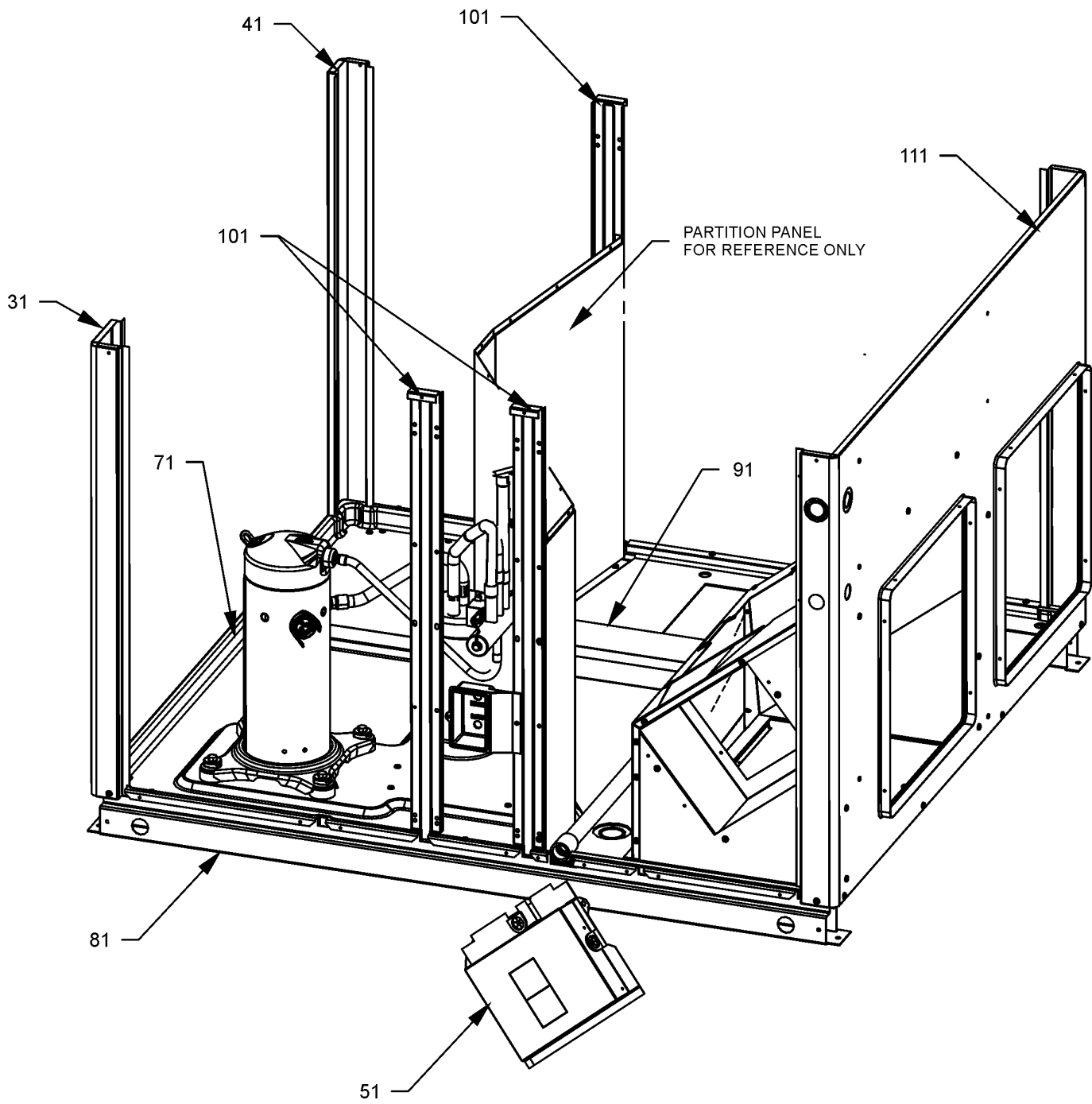
42	B1373315	ACCESS FITTING (QTY 2)
62	0163M00175	CAP WITH O-RING (QTY 2)

**Expanded Model Nomenclature**

M1 - DP14HM2441AC

M2 - DP14HM3041AC

# Panels and Supports



# Panels and Supports

Ref. Part No:	Ref. Part No:	Description:	Description:
---------------	---------------	--------------	--------------

---

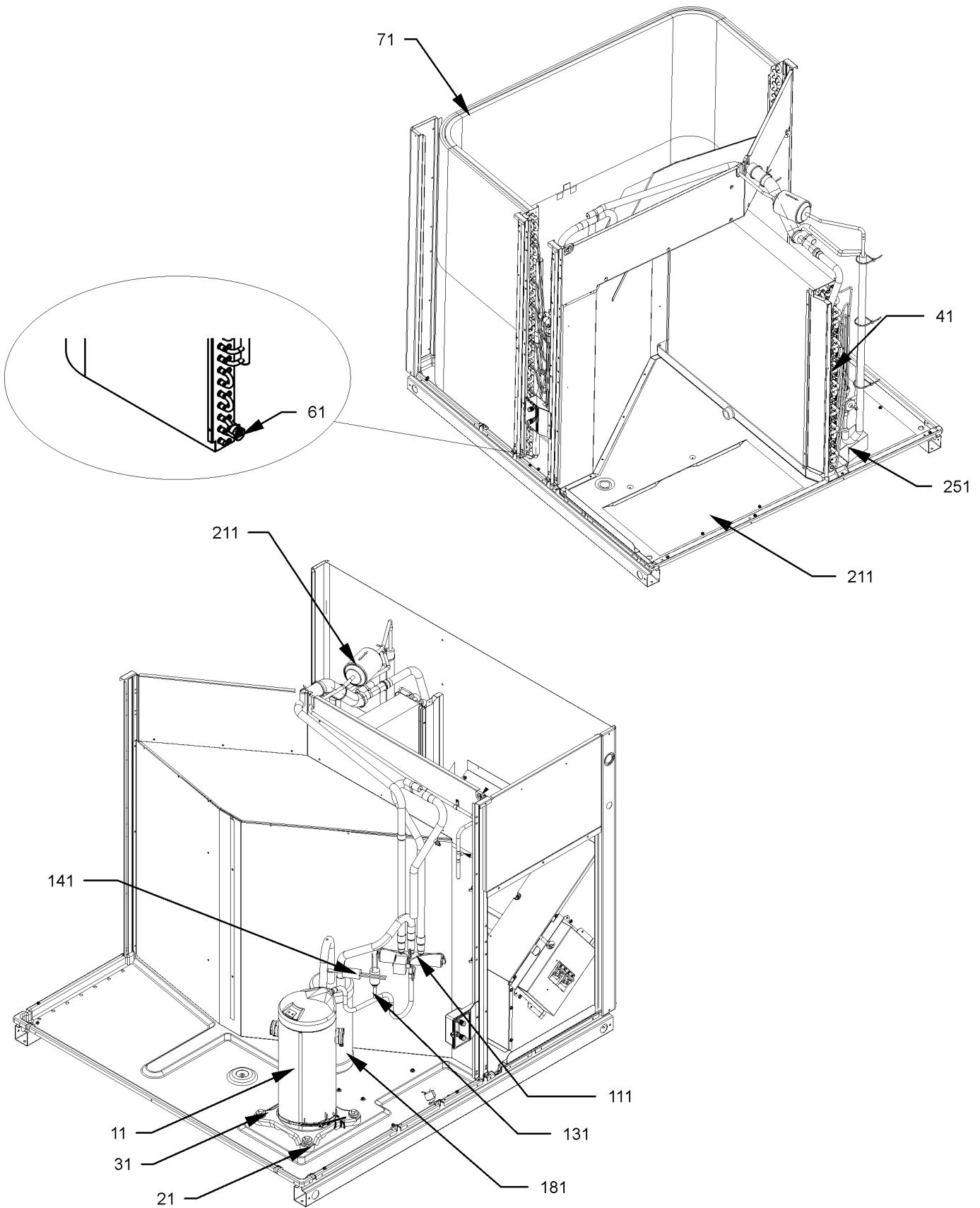
**Image 1:**

31	20464201NG	CORNER POST-COMP END 32"
41	20464301NG	CORNER POST-HAIRPIN END 32"
51	0121G00725	COVER, HK (QTY 2)
71	0121G00290	BASE PAN RAIL (QTY 2)
81	0121G00444	BASEPAN, PACKAGE
91	0161G00003	PLASTIC DRIP PAN
101	0121G00460	POST-SUPPORT, SIDE (QTY 2)
111	0121G00800NG	PNL, DUCT, CNVRT, 32.5" PNT

**Expanded Model Nomenclature**

M1 - DP14HM2441AC
M2 - DP14HM3041AC

# Tubing & Coil Assemblies



# Tubing & Coil Assemblies

Ref. Part No:	No:	Description:	Ref. Part No:	No:	Description:
---------------	-----	--------------	---------------	-----	--------------

---

**Image 1:**

11	ZP21K5EPFV130	COMPRESSOR 21300, 208/230/60/1 (M1)
11	ZP25K5EPFV130	COMPRESSOR 25200, 208/230/60/1 (M2)
21	B1339533	COMPRESSOR GROMMET (QTY 4)
31	M0221641	TF SHOULDER SCREW (QTY 4)
41	0202G00576	EVAP COIL ASSY (M1)
41	0202G00577	EVAP COIL ASSY (M2)
61	0130M00197	CONTROL, DEFROST
71	0201G00323	COND COIL ASSY (M2)
71	0201G00337	COND COIL ASSY (M1)
111	0151R00068	REVERSING VALVE (M1)
111	0151R00069	REVERSING VALVE (M2)
131	0130M00074	HIGH PRESSURE SWITCH
141	0130M00075	LOW PRESSURE SWITCH
181	B1226206	ACCUMULATOR
211	20485201	BI-FLOW FILTER DRIER
241	0121G00148	SINGLE COVER, DOWN DISCHARGE (QTY 2)
251	0121G00509	DRIP SHIELD
NS	0160M00039	COMPRESSOR BLANKET
NS	0159G00014	HARNESS-COMP SCROLL
NS	B1225022	SOLENOID COIL

**Expanded Model Nomenclature**

M1 - DP14HM2441AC

M2 - DP14HM3041AC

# Control Panel & Blower Assembly

Image 1

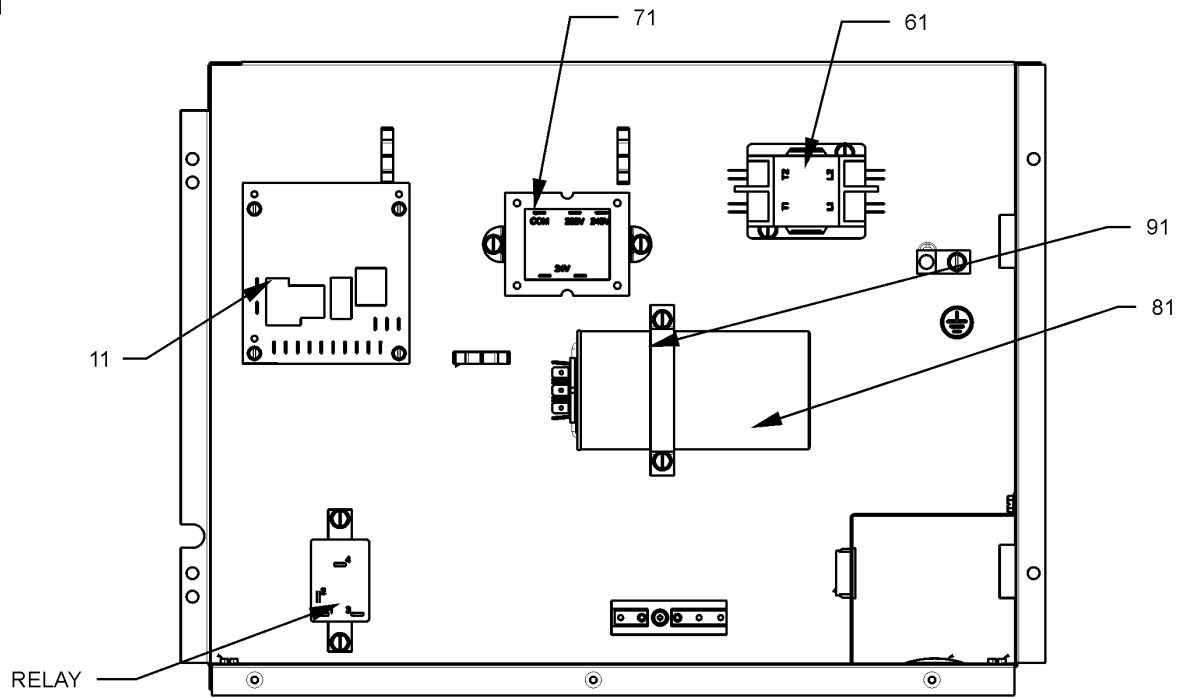
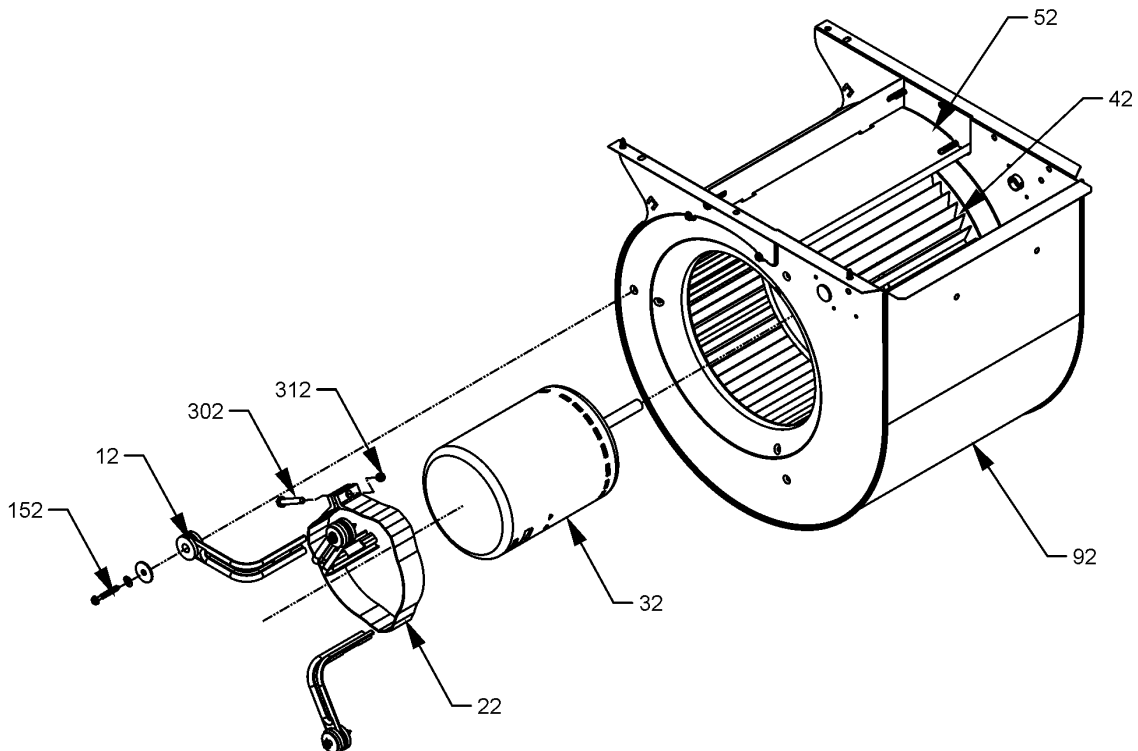


Image 2



# Control Panel & Blower Assembly

Ref. Part No: No:	Description:	Ref. Part No: No:	Description:
-------------------	--------------	-------------------	--------------

---

## Image 1:

11	PCBDM133	DEFROST CONTROL BOARD
61	CONT1P025024V	CONTACTOR 25 AMP, 1P, 24V
71	0130M00138	TRANSFORMER 208/230, 24V
81	CAP050400440CT	CAPACITOR 5/40/440V/DUAL RD
91	20520901	CAPACITOR STRAP
NS	0259G00129	HARNESS, CONTROL

## Image 2:

12	B1376857	MOTOR MOUNT ARM (QTY 3)
22	0121M00038	MOTOR MOUNT BAND
32	0131M00750M	CONTROLLERLESS MOTOR
32	0131G00022	PROGRAMMED CONTROLLER (M1)
32	0131G00023	PROGRAMMED CONTROLLER (M2)
42	D6723303	BLOWER WHEEL
52	764742	BLOWER BLOCK-OFF
92	0271G00024	BLOWER HOUSING ASSY 10 X 9
152	M0250565	TC SCREW 1.25" (QTY 3)
302	B1393323	MACHINE SCREW HWH 1/4-20 X 1-1/2 BZ
312	B1393800	LOCKNUT, NYLON, INSERT 1/4, 20

## Expanded Model Nomenclature

M1 - DP14HM2441AC

M2 - DP14HM3041AC