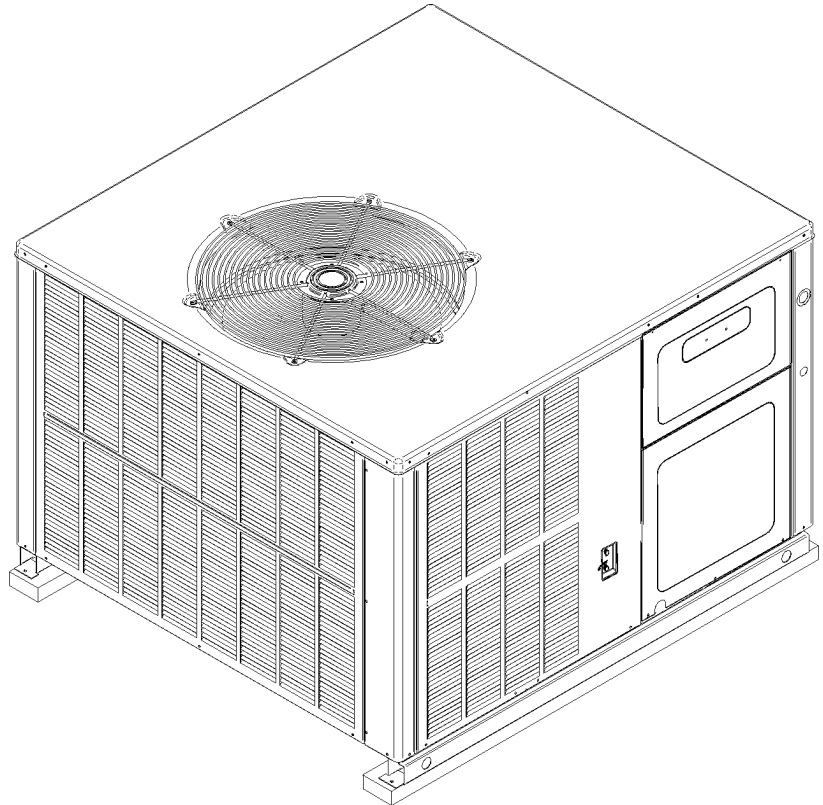


## DP14HM Multi-Position Residential Package Heat Pump

DP14HM2441AA  
DP14HM2441AB  
DP14HM3041AA  
DP14HM3041AB  
DP14HM3641AA  
DP14HM3641AB  
DP14HM4241AA  
DP14HM4241AB  
DP14HM4841AA  
DP14HM4841AB  
DP14HM6041AA  
DP14HM6041AB



This manual is to be used by qualified technicians only.

This manual replaces RP-D3016B.

© 2014 - 2016 **DAIKIN COMPANY, L.P.** ♦ 5151 San Felipe St., Suite 500 ♦ Houston, TX 77056

# Important Information

---

## Index

|                              |        |
|------------------------------|--------|
| Functional Parts List .....  | 3      |
| Illustration and Parts ..... | 4 - 11 |

*Views shown are for parts illustrations only, not servicing procedures*

### Text Codes:

AR - As Required

NA - Not Available

NS - Not Shown

00000000 - See Note

QTY - Quantity Example (QTY 3) (If Quantity not shown, Quantity = 1)

M - Model Example (M1) (If M Code not shown, then part is used on all Models)

### Expanded Model Nomenclature:

|   |
|---|
| Example<br>M1 - Model#1<br>M2 - Model#2<br>M3 - Model#3 |
|---|

Daikin Company, L.P. is not responsible for personal injury or property damage resulting from improper service. Review all service information before beginning repairs.

Warranty service must be performed by an authorized technician, using authorized factory parts. If service is required after the warranty expires, Daikin Company, L.P. also recommends contacting an authorized technician and using authorized factory parts.

Daikin Company, L.P. reserves the right to discontinue, or change at any time, specifications or designs without notice or without incurring obligations.

For assistance within the U.S.A. contact:

Homeowner Support  
Daikin North America, LLC  
19001 Kermier Road  
Waller, Texas 77484  
855-770-5678-Telephone  
713-863-2382-Facsimile

For assistance outside the U.S.A. contact:

International Division  
Daikin North America, LLC  
19001 Kermier Road  
Waller, Texas 77484  
713-861-2500-Telephone  
713-863-2382-Facsimile

# Functional Parts

**Part No:**            **Description:**

|                |  |
|----------------|--|
| D6723303       | BLOWER WHEEL   |
| CAP100400440CT | CAP, 10/40 MFD, 440V/ DUAL RD (M11, M12)                   |
| CAP050400440CT | CAPACITOR 5/40/440V/DUAL RD (M1, M2, M3, M4)               |
| CAP050450440CT | CAPACITOR 5/45/440V/DUAL RD (M5, M6, M7, M8)               |
| CAP050700440CT | CAPACITOR 5/70/440V/DUAL RD (M9, M10)                      |
| ZP42K5EPFV130  | COMP, 42000, 208/230/60/1 (M9, M10)                        |
| ZPS51K5EPFV130 | COMP, 51900/208/230/60/1 (M11, M12)                        |
| ZP21K5EPFV130  | COMPRESSOR 21300, 208/230/60/1 (M1, M2)                    |
| ZP25K5EPFV130  | COMPRESSOR 25200, 208/230/60/1 (M3, M4)                    |
| ZP31K5EPFV130  | COMPRESSOR 31100, 208/230/60/1 (M5, M6)                    |
| ZP36K5EPFV130  | COMPRESSOR 36200, 208/230/60/1 (M7, M8)                    |
| 0131M00430     | COND MOTOR 1/3 HP, 1 SP, 6 PL (M11, M12)                   |
| 0131M00061     | COND MOTOR 1/4 HP, 1 SP, 8 PL (M1, M2, M3, M4)             |
| 0131M00429     | COND MOTOR 1/4 HP, 1 SP, 6 PL (M5, M6, M7, M8, M9, M10)    |
| CONT1P025024V  | CONTACTOR 25 AMP, 1P, 24V (M1, M2, M3, M4, M5, M6, M7, M8) |
| CONT2P040024V  | CONTACTOR 40 AMP, 2P, 24V (M9, M10, M11, M12)              |
| 0130M00197     | CONTROL, DEFROST   |
| 0130L00096     | CRANK CASE HEATER-70W 240V (M11, M12)                      |
| 0130M00074     | CUT-OUT SWITCH, HIGH PRESSURE                              |
| 0130M00075     | CUT-OUT SWITCH, LOW PRESSURE                               |
| PCBDM133       | DEFROST CONTROL BOARD                                      |
| 0150G00004     | FAN BLADE (M5, M6)   |
| 0150M00008     | FAN BLADE 22" TNT2203-25 (M1, M2, M3, M4)                  |
| 0150G00002     | FAN BLADE SWEPT-WING (M7, M8, M9, M10, M11, M12)           |
| 0131G00028     | PROGRAMMED MOTOR (M1, M2)                                  |
| 0131G00033     | PROGRAMMED MOTOR (M11, M12)                                |
| 0131G00032     | PROGRAMMED MOTOR (M9, M10)                                 |
| 0131G00031     | PROGRAMMED MOTOR (M7, M8)                                  |
| 0131G00029     | PROGRAMMED MOTOR (M3, M4)                                  |
| 0131G00030     | PROGRAMMED MOTOR (M5, M6)                                  |
| 0130M00242     | RELAY, 24V (M11, M12)                                      |
| 0151R00069     | REVERSING VALVE (M1, M2, M3, M4)                           |
| 0151R00071     | REVERSING VALVE (M5, M6, M7, M8, M9, M10, M11, M12)        |
| B1225022       | SOLENOID COIL  |
| 0130M00199     | SWITCH, CRANK CASE HEATER (M11, M12)                       |
| 0130M00138     | TRANSFORMER 208/230, 24V                                   |

## Expanded Model Nomenclature

|                    |
|--------------------|
| M1 - DP14HM2441AA  |
| M2 - DP14HM2441AB  |
| M3 - DP14HM3041AA  |
| M4 - DP14HM3041AB  |
| M5 - DP14HM3641AA  |
| M6 - DP14HM3641AB  |
| M7 - DP14HM4241AA  |
| M8 - DP14HM4241AB  |
| M9 - DP14HM4841AA  |
| M10 - DP14HM4841AB |
| M11 - DP14HM6041AA |
| M12 - DP14HM6041AB |

# Cabinet Assembly

Image 1

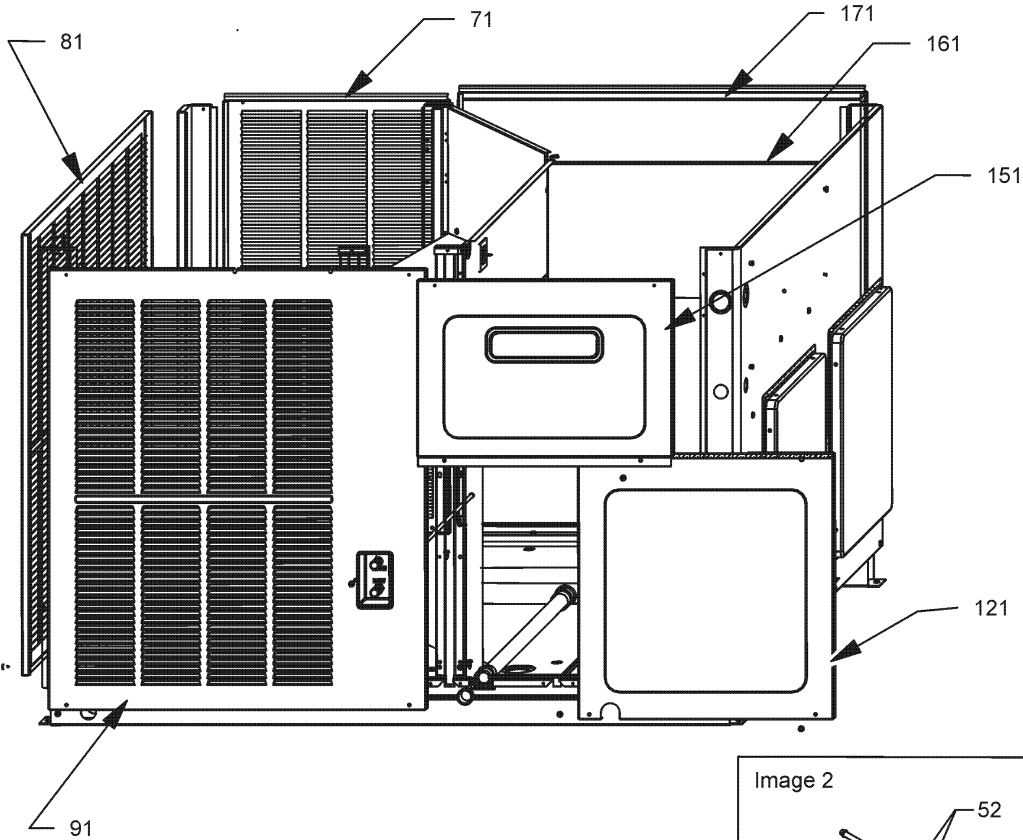
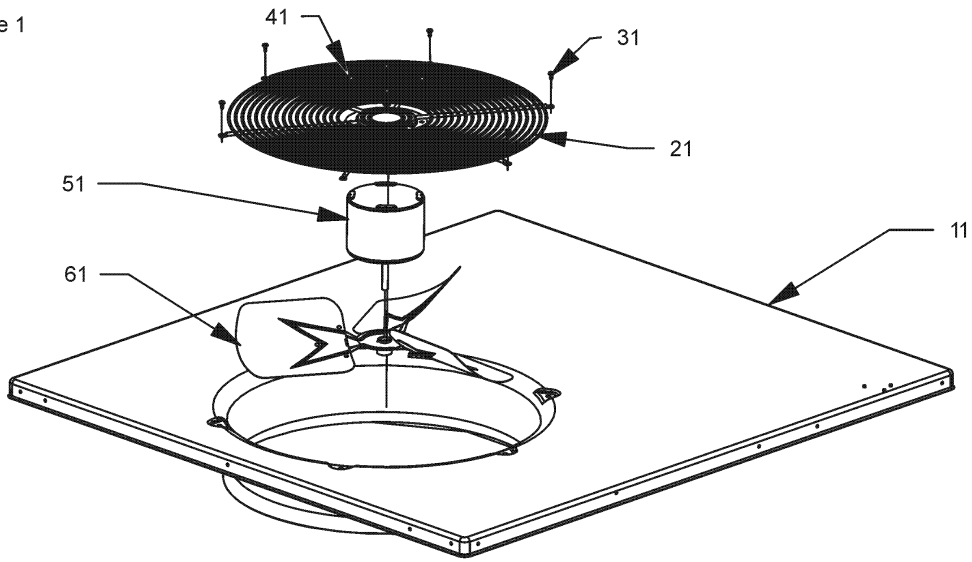
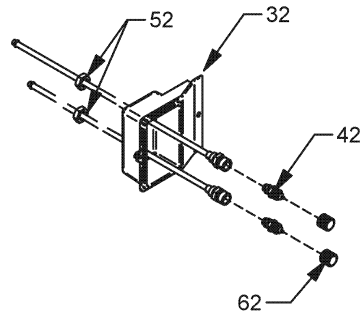


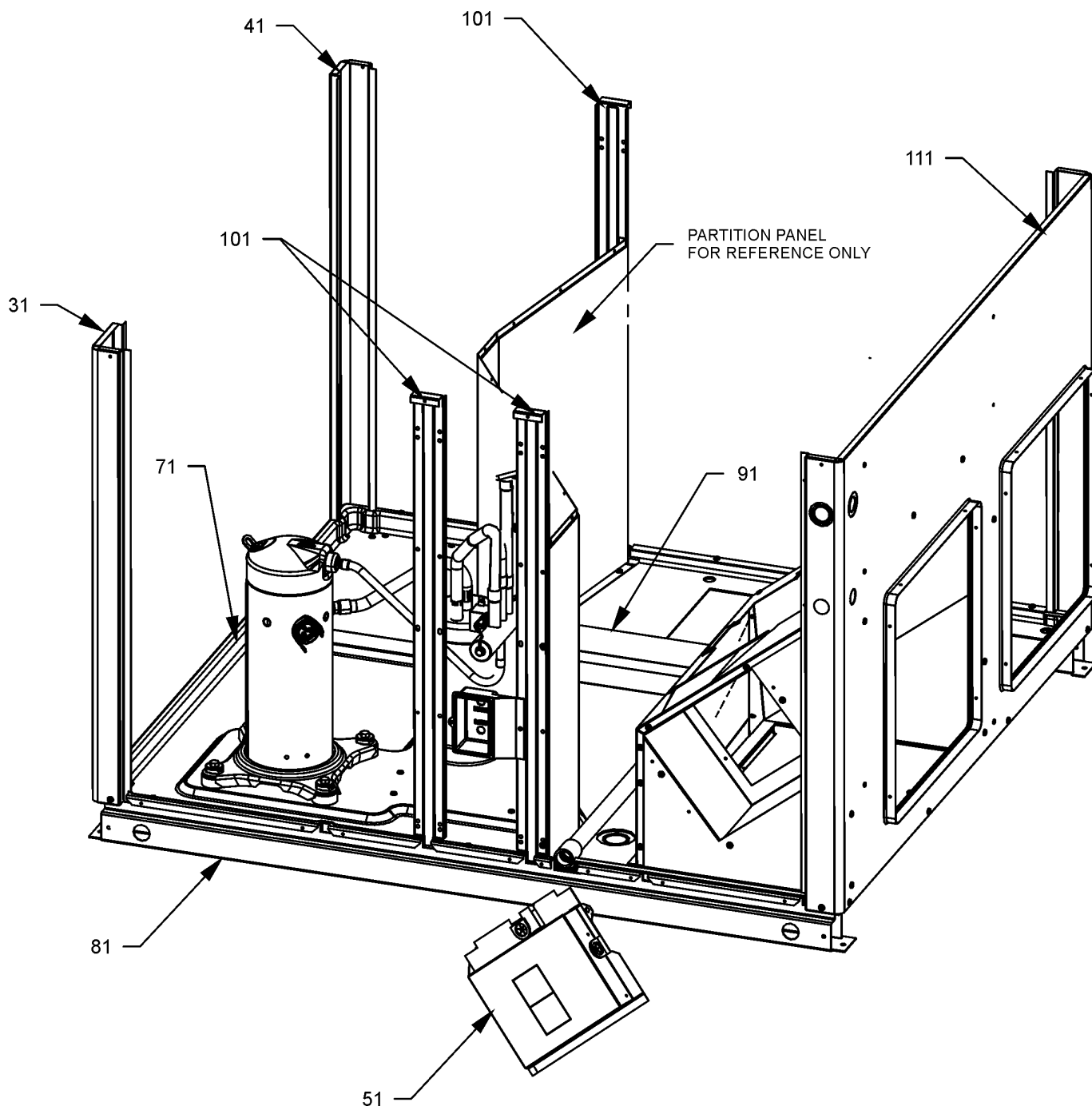
Image 2



# Cabinet Assembly

| Ref. Part No:   | No:          | Description:   | Ref. Part No:                      | No: | Description: |
|-----------------|--------------|--|------------------------------------|-----|--------------|
| <b>Image 1:</b> |              |  | <b>Expanded Model Nomenclature</b> |     |              |
| 11              | 0121G00156NG | PNL, TOP, PNT  | M1                                 | -   | DP14HM2441AA |
| 21              | 0152G00003   | FAN GRILLE (M1, M2, M3, M4)                                    | M2                                 | -   | DP14HM2441AB |
| 21              | 0152G00000   | FAN GRILLE, RAISED (M5, M6, M7, M8, M9, M10, M11, M12)         | M3                                 | -   | DP14HM3041AA |
| 31              | B1393530     | SCREW HWH,10 X 1/2, A, YZD, SLOT, SR (M11, M12)                | M4                                 | -   | DP14HM3041AB |
| 31              | M0221817     | SMALL SCREW (M1, M2, M3, M4, M5, M6, M7, M8, M9, M10)          | M5                                 | -   | DP14HM3641AA |
| 41              | 0163M00006P  | ACORN NUT 5/16 HEX BLACK (QTY 4)                               | M6                                 | -   | DP14HM3641AB |
| 51              | 0131M00430   | COND MOTOR 1/3 HP, 1 SP, 6 PL (M11, M12)                       | M7                                 | -   | DP14HM4241AA |
| 51              | 0131M00061   | COND MOTOR 1/4 HP, 1 SP, 8 PL (M1, M2, M3, M9, M10)            | M8                                 | -   | DP14HM4241AB |
| 51              | 0131M00429   | COND MOTOR 1/4 HP, 1 SP, 6 PL (M5, M6, M7, M8, M9, M10)        | M9                                 | -   | DP14HM4841AA |
| 61              | 0150G00004   | FAN BLADE (M5, M6)   | M10                                | -   | DP14HM4841AB |
| 61              | 0150M00008   | FAN BLADE 22" TNT2203-25 (M1, M2, M3, M4)                      | M11                                | -   | DP14HM6041AA |
| 61              | 0150G00002   | FAN BLADE SWEPT-WING (M7, M8, M9, M10, M11, M12)               | M12                                | -   | DP14HM6041AB |
| 71              | 20467701NG   | LOUVERED PANEL, COND SIDE 32" (M1, M2, M3, M4, M5, M6, M7, M8) |                                    |     |              |
| 71              | 20467702NG   | LOUVERED PANEL, COND SIDE 40" (M9, M10, M11, M12)              |                                    |     |              |
| 81              | 20464401NG   | LOUVERED PANEL, COND SIDE 32" (M1, M2, M3, M4, M5, M6, M7, M8) |                                    |     |              |
| 81              | 20464402NG   | LOUVERED PANEL, COND SIDE 40" (M9, M10, M11, M12)              |                                    |     |              |
| 91              | 0121G00661NG | COMPRESSOR PANEL (M12)   |                                    |     |              |
| 91              | 0121G00662NG | COMPRESSOR PANEL (M2, M4, M6, M8)                              |                                    |     |              |
| 91              | 0121G00663NG | COMPRESSOR PANEL (M10)   |                                    |     |              |
| 91              | 0121G00147NG | LOUVERED PANEL 4 BANK 40", COMP SIDE (M11)                     |                                    |     |              |
| 91              | 0121G00223NG | SOLID PANEL COMPRESSOR 32.5" (M1, M3, M5, M7)                  |                                    |     |              |
| 91              | 0121G00224NG | SOLID PANEL COMPRESSOR 40" (M9)                                |                                    |     |              |
| 121             | 0121G00165NG | PNL, BLO, CNVRT, 32.5", PNT (M1, M2, M3, M4, M5, M6, M7, M8)   |                                    |     |              |
| 121             | 0121G00168NG | PNL, BLO, CNVRT, 40", PNT (M9, M10, M11, M12)                  |                                    |     |              |
| 151             | 0121G00213NG | PNL, CB, CNVRT,PNT   |                                    |     |              |
| 161             | 0121G00591   | BLK-OFF, EVAP, TOP, CNVRT (M9, M10, M11, M12)                  |                                    |     |              |
| 161             | 0121G00592   | BLK-OFF, EVAP, TOP, CNVRT (M1, M2, M3, M4, M5, M6, M7, M8)     |                                    |     |              |
| 171             | 20464801NG   | BLOWER DOOR 32" (M1, M2, M3, M4, M5, M6, M7, M8)               |                                    |     |              |
| 171             | 20464806NG   | BLOWER DOOR 40" (M9, M10, M11, M12)                            |                                    |     |              |
| NS              | 0121G00235   | FAN BAFFLE   |                                    |     |              |
| NS              | 0164G00005   | GROMMET-HORSESHOE 1.675 (M2, M4, M6, M8, M10, M12)             |                                    |     |              |
| NS              | 1778800083F  | PVC CONDUIT 8.25"  |                                    |     |              |
| <b>Image 2:</b> |              |  |                                    |     |              |
| 32              | 0161G00008   | ACCESS-FITTING BOX (M1, M3, M5, M7, M9, M11)                   |                                    |     |              |
| 42              | B1373315     | ACCESS FITTING (QTY 2)   |                                    |     |              |
| 52              | 0163G00000P  | FASTEST FITTING NUT (M1, M3, M5, M7, M9, M11)                  |                                    |     |              |
| 62              | 0163M00175   | CAP WITH O-RING (QTY 2)  |                                    |     |              |

# Panels and Supports



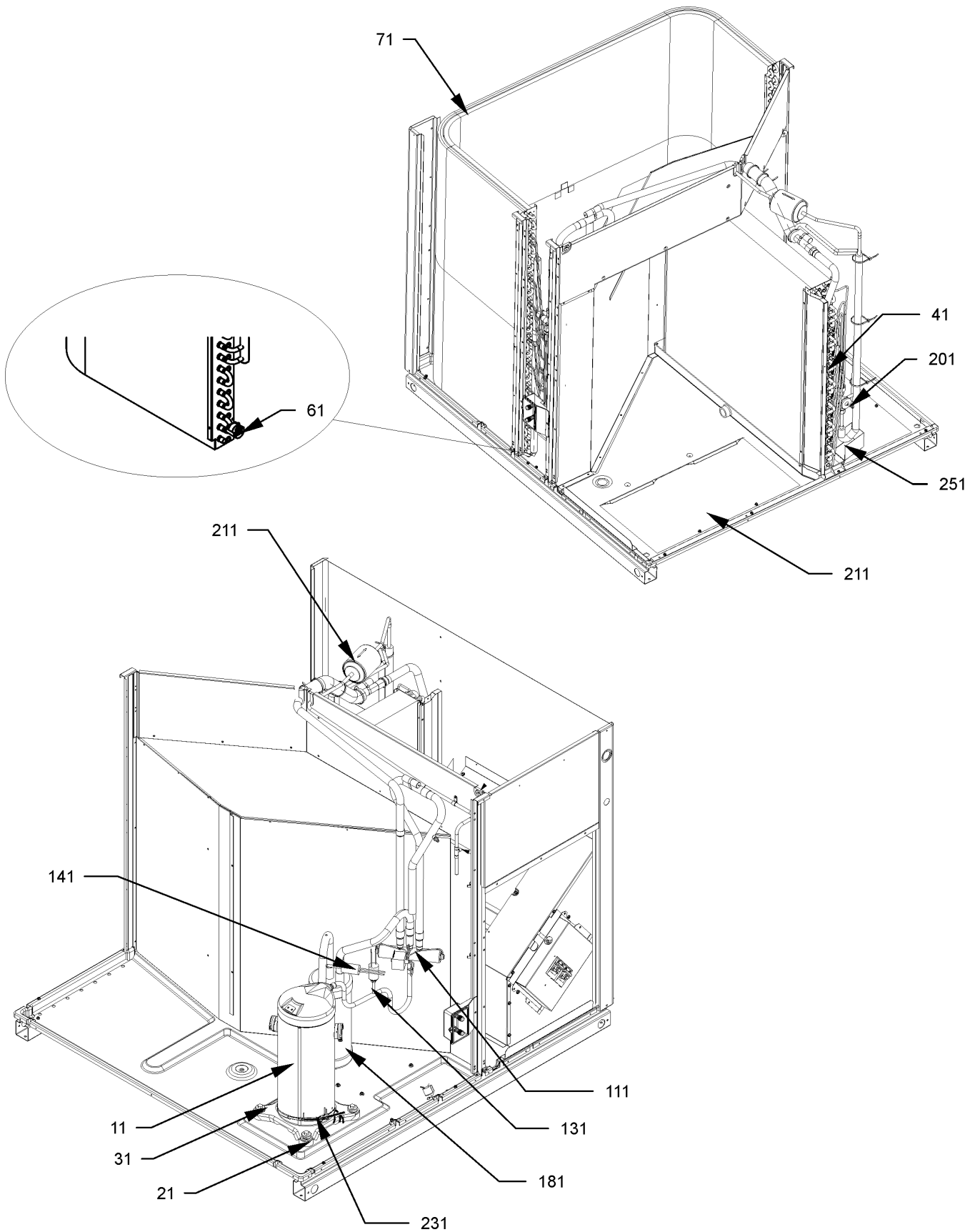
# Panels and Supports

| Ref. Part No:   | No:          | Description:   | Ref. Part No: | No: | Description: |
|-----------------|--------------|--|---------------|-----|--------------|
| <b>Image 1:</b> |              |  |               |     |              |
| 31              | 20464201NG   | CORNER POST-COMP END 32" (M1, M2, M3, M4, M5, M6, M7, M8)    |               |     |              |
| 31              | 20464202NG   | CORNER POST-COMP END 40" (M9, M10, M11, M12)                 |               |     |              |
| 41              | 20464301NG   | CORNER POST-HAIRPIN END 32" (M1, M2, M3, M4, M5, M6, M7, M8) |               |     |              |
| 41              | 20464302NG   | CORNER POST-HAIRPIN END 40" (M9, M10, M11, M12)              |               |     |              |
| 51              | 0121G00528   | COVER, HK (QTY 2)  |               |     |              |
| 71              | 0121G00290   | BASE PAN RAIL (QTY 2)  |               |     |              |
| 81              | 0121G00444   | BASEPAN, PACKAGE   |               |     |              |
| 91              | 0161G00003   | PLASTIC DRIP PAN   |               |     |              |
| 101             | 0121G00460   | POST-SUPPORT, SIDE (M1, M2, M3, M4, M5, M6, M7, M8)          |               |     |              |
| 101             | 0121G00462   | POST-SUPPORT, SIDE (M9, M10, M11, M12)                       |               |     |              |
| 111             | 0121G00671NG | PNL, DUCT, CNVRT, 32.5" PNT (M1, M2, M3, M4, M5, M6, M7, M8) |               |     |              |
| 111             | 0121G00672NG | PNL, DUCT, CNVRT, 40" PNT (M9, M10, M11, M12)                |               |     |              |

## Expanded Model Nomenclature

|                    |
|--------------------|
| M1 - DP14HM2441AA  |
| M2 - DP14HM2441AB  |
| M3 - DP14HM3041AA  |
| M4 - DP14HM3041AB  |
| M5 - DP14HM3641AA  |
| M6 - DP14HM3641AB  |
| M7 - DP14HM4241AA  |
| M8 - DP14HM4241AB  |
| M9 - DP14HM4841AA  |
| M10 - DP14HM4841AB |
| M11 - DP14HM6041AA |
| M12 - DP14HM6041AB |

# Tubing & Coil Assemblies



# Tubing & Coil Assemblies

| Ref. Part No: No: | Description:   | Ref. Part No: No:   | Description:       |
|-------------------|----------------|---|--------------------|
| <b>Image 1:</b>   |                | <b>Expanded Model Nomenclature</b>                                  |                    |
| 11                | ZP42K5EPFV130  | COMP, 42000, 208/230/60/1 (M9, M10)                                 | M1 - DP14HM2441AA  |
| 11                | ZPS51K5EPFV130 | COMP, 51900/208/230/60/1 (M11, M12)                                 | M2 - DP14HM2441AB  |
| 11                | ZP21K5EPFV130  | COMPRESSOR 21300, 208/230/60/1 (M1, M2)                             | M3 - DP14HM3041AA  |
| 11                | ZP25K5EPFV130  | COMPRESSOR 25200, 208/230/60/1 (M3, M4)                             | M4 - DP14HM3041AB  |
| 11                | ZP31K5EPFV130  | COMPRESSOR 31100, 208/230/60/1 (M5, M6)                             | M5 - DP14HM3641AA  |
| 11                | ZP36K5EPFV130  | COMPRESSOR 36200, 208/230/60/1 (M7, M8)                             | M6 - DP14HM3641AB  |
| 21                | B1339533       | COMPRESSOR GROMMET (QTY 4)  | M7 - DP14HM4241AA  |
| 31                | M0221641       | TF SHOULDER SCREW (QTY 4)   | M8 - DP14HM4241AB  |
| 41                | 0202G00542     | EVAP COIL ASSY (M11, M12)   | M9 - DP14HM4841AA  |
| 41                | 0202G00576     | EVAP COIL ASSY (M1, M2)   | M10 - DP14HM4841AB |
| 41                | 0202G00577     | EVAP COIL ASSY (M3, M4)   | M11 - DP14HM6041AA |
| 41                | 0202G00578     | EVAP COIL ASSY (M5, M6)   | M12 - DP14HM6041AB |
| 41                | 0202G00579     | EVAP COIL ASSY (M7, M8)   |                    |
| 41                | 0202G00580     | EVAP COIL ASSY (M9, M10)  |                    |
| 61                | 0130M00197     | CONTROL, DEFROST  |                    |
| 71                | 0201G00323     | COND COIL ASSY (M3, M4)   |                    |
| 71                | 0201G00328     | COND COIL ASSY (M5, M6, M7, M8)                                     |                    |
| 71                | 0201G00331     | COND COIL ASSY (M11)  |                    |
| 71                | 0201G00337     | COND COIL ASSY (M1, M2)   |                    |
| 71                | 0201G00339     | COND COIL ASSY (M9, M10)  |                    |
| 111               | 0151R00069     | REVERSING VALVE (M1, M2, M3, M4)                                    |                    |
| 111               | 0151R00071     | REVERSING VALVE (M5, M6, M7, M8, M9, M10, M11, M12)                 |                    |
| 131               | 0130M00074     | CUT-OUT SWITCH, HIGH PRESSURE                                       |                    |
| 141               | 0130M00075     | CUT-OUT SWITCH, LOW PRESSURE  |                    |
| 181               | B1226206       | ACCUMULATOR (M1, M2, M3, M4)  |                    |
| 181               | B1226207       | ACCUMULATOR .875 (M5, M6, M7, M8, M9, M10, M11, M12)                |                    |
| 201               | 0151M00050     | VALVE, NXT (M11, M12)   |                    |
| 211               | 20485201       | BI-FLOW FILTER DRIER (M1, M2, M3, M4, M5, M6, M7, M8, M9, M10)      |                    |
| 231               | 0130L00096     | CRANK CASE HEATER-70W 240V (M11, M12)                               |                    |
| 241               | 0121G00148     | SINGLE COVER, DOWN DISCHARGE (QTY 2)                                |                    |
| 251               | 0121G00509     | DRIP SHIELD   |                    |
| NS                | 0159G00002     | COMPRESSOR SCROLL HARNESS (M1, M2, M3, M4, M5, M6, M7, M8, M9, M10) |                    |
| NS                | 0159G00004     | COMPRESSOR SCROLL HARNESS (M11, M12)                                |                    |
| NS                | 0159G00001     | COMPRESSOR SOLENOID CABLE (M11, M12)                                |                    |
| NS                | B1488806       | COMPRESSOR SOUND BLANKET (M7, M8, M9, M10, M11, M12)                |                    |
| NS                | B1488807       | COMPRESSOR SOUND BLANKET (M1, M2, M3, M4, M5, M6)                   |                    |
| NS                | 0162M00055     | FLOWRATOR [COND] (M11, M12)   |                    |
| NS                | 0162M00291     | FLOWRATOR [COND] (M9, M10)  |                    |
| NS                | 0162M00292     | FLOWRATOR [COND] (M5, M6, M7, M8)                                   |                    |
| NS                | 0162M00336     | FLOWRATOR [COND] (M1, M2)   |                    |
| NS                | 0162M00337     | FLOWRATOR [COND] (M3, M4)   |                    |
| NS                | 0162M00315     | FLOWRATOR [EVAP] (M1, M2)   |                    |
| NS                | 0162M00316     | FLOWRATOR [EVAP] (M3, M4)   |                    |
| NS                | 0162M00318     | FLOWRATOR [EVAP] (M5, M6)   |                    |
| NS                | 0162M00319     | FLOWRATOR [EVAP] (M7, M8)   |                    |
| NS                | 0162M00321     | FLOWRATOR [EVAP] (M9, M10)  |                    |
| NS                | 0162M00325     | FLOWRATOR [EVAP] (M11, M12)   |                    |
| NS                | B1225022       | SOLENOID COIL   |                    |
| NS                | 0130M00199     | SWITCH, CRANK CASE HEATER (M11, M12)                                |                    |

# Control Panel & Blower Assembly

Image 1

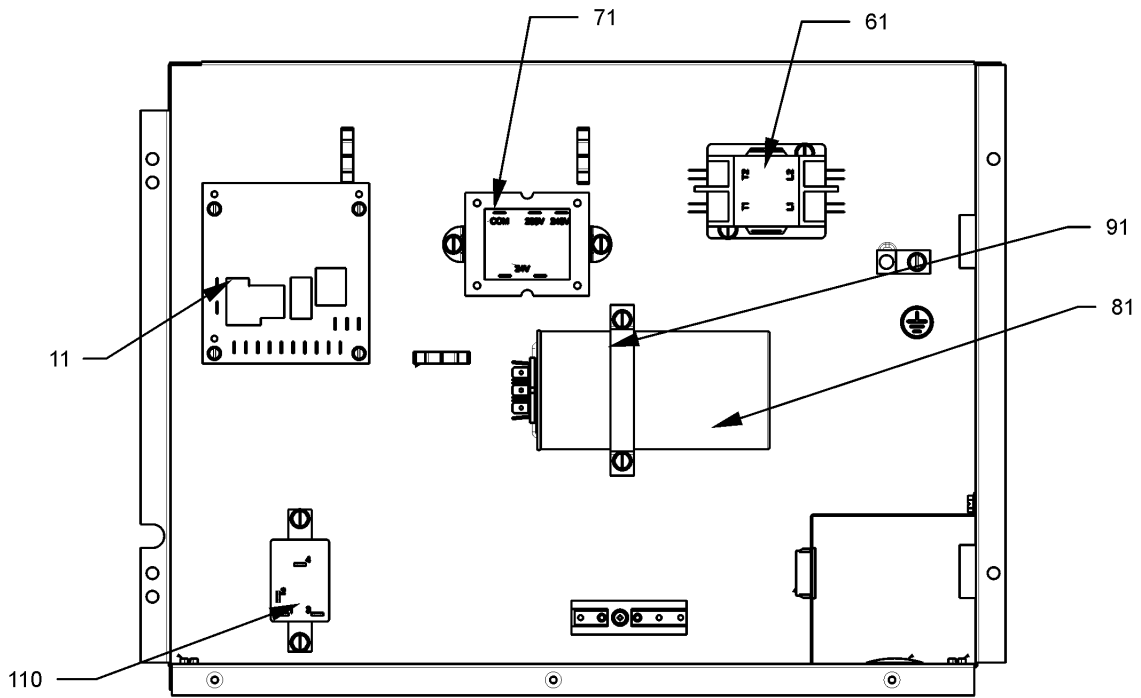
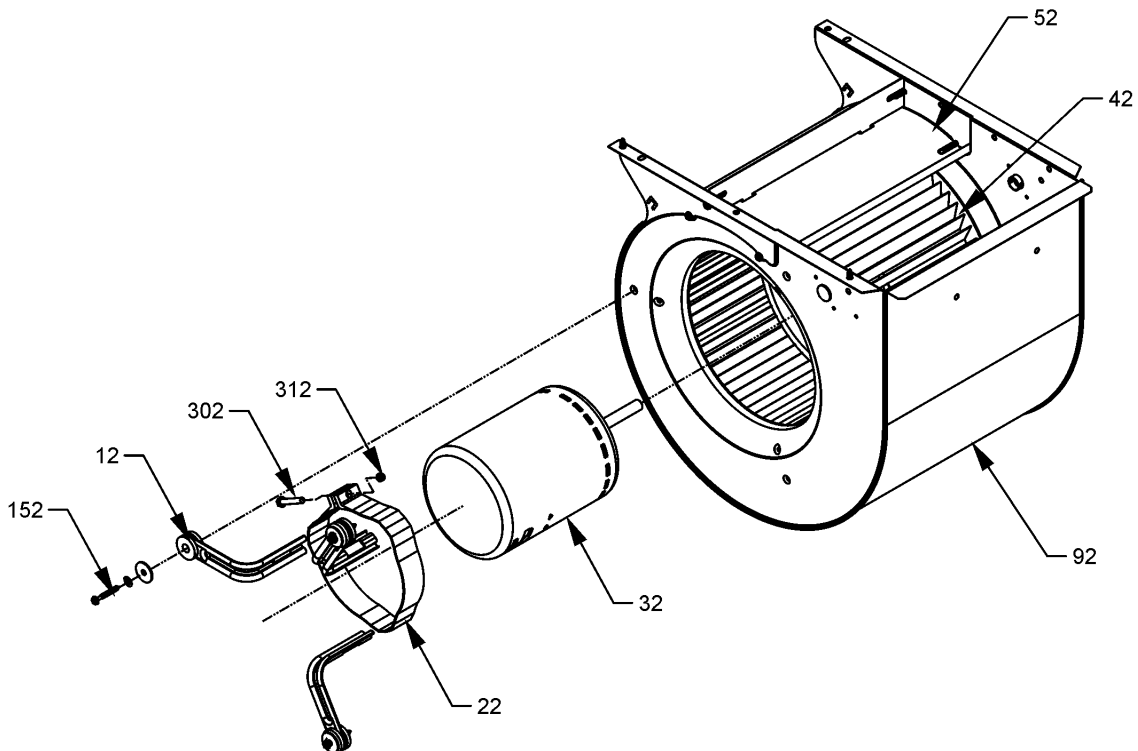


Image 2



# Control Panel & Blower Assembly

| Ref. Part No: No: | Description: | Ref. Part No: No: | Description: |
|-------------------|--------------|-------------------|--------------|
|-------------------|--------------|-------------------|--------------|

**Image 1:**

|     |                |  |
|-----|----------------|--|
| 11  | PCBDM133       | DEFROST CONTROL BOARD                                      |
| 61  | CONT1P025024V  | CONTACTOR 25 AMP, 1P, 24V (M1, M2, M3, M4, M5, M6, M7, M8) |
| 61  | CONT2P040024V  | CONTACTOR 40 AMP, 2P, 24V (M9, M10, M11, M12)              |
| 71  | 0130M00138     | TRANSFORMER 208/230, 24V                                   |
| 81  | CAP100400440CT | CAP, 10/40 MFD, 440V/ DUAL RD (M11, M12)                   |
| 81  | CAP050400440CT | CAPACITOR 5/40/440V/DUAL RD (M1, M2, M3, M4)               |
| 81  | CAP050450440CT | CAPACITOR 5/45/440V/DUAL RD (M5, M6, M7, M8)               |
| 81  | CAP050700440CT | CAPACITOR 5/70/440V/DUAL RD (M9, M10)                      |
| 91  | 20520901       | CAPACITOR STRAP (M5, M6, M9, M10)                          |
| 111 | 0130M00242     | RELAY, 24V (M11, M12)                                      |
| NS  | 0259G00129     | HARNESS, CONTROL (M1, M2, M3, M4, M5, M6, M7, M8, M9, M10) |
| NS  | 0259G00134     | HARNESS, CONTROL (M11, M12)                                |

**Image 2:**

|     |            |                                     |
|-----|------------|-------------------------------------|
| 12  | B1376857   | MOTOR MOUNT ARM (QTY 3)             |
| 22  | 0121M00038 | MOTOR MOUNT BAND                    |
| 32  | 0131G00028 | PROGRAMMED MOTOR (M1, M2)           |
| 32  | 0131G00029 | PROGRAMMED MOTOR (M3, M4)           |
| 32  | 0131G00030 | PROGRAMMED MOTOR (M5, M6)           |
| 32  | 0131G00031 | PROGRAMMED MOTOR (M7, M8)           |
| 32  | 0131G00032 | PROGRAMMED MOTOR (M9, M10)          |
| 32  | 0131G00033 | PROGRAMMED MOTOR (M11, M12)         |
| 42  | D6723303   | BLOWER WHEEL                        |
| 52  | 764742     | BLOWER BLOCK-OFF                    |
| 92  | 0271G00024 | BLOWER HOUSING ASSY 10 X 9          |
| 152 | M0250565   | TC SCREW 1.25" (QTY 3)              |
| 302 | B1393323   | MACHINE SCREW HWH 1/4-20 X 1-1/2 BZ |

**Expanded Model Nomenclature**

|                    |
|--------------------|
| M1 - DP14HM2441AA  |
| M2 - DP14HM2441AB  |
| M3 - DP14HM3041AA  |
| M4 - DP14HM3041AB  |
| M5 - DP14HM3641AA  |
| M6 - DP14HM3641AB  |
| M7 - DP14HM4241AA  |
| M8 - DP14HM4241AB  |
| M9 - DP14HM4841AA  |
| M10 - DP14HM4841AB |
| M11 - DP14HM6041AA |
| M12 - DP14HM6041AB |