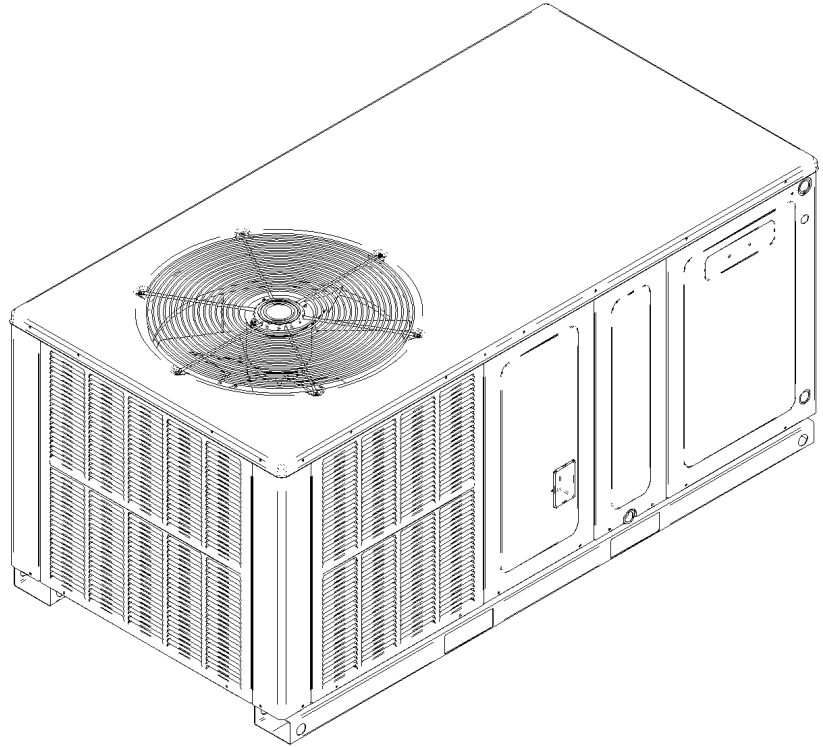


DP14HH Horizontal Series Package Heat Pump

DP14HH2441AA
DP14HH2441AB
DP14HH2441AC
DP14HH2441AD
DP14HH3041AA
DP14HH3041AB
DP14HH3041AC
DP14HH3041AD
DP14HH3641AA
DP14HH3641AB
DP14HH3641AC
DP14HH3641AD
DP14HH4241AA
DP14HH4241BA
DP14HH4241BB
DP14HH4241BC
DP14HH4841AA
DP14HH4841BA
DP14HH4841BB
DP14HH4841BC
DP14HH6041AA
DP14HH6041BA
DP14HH6041BB
DP14HH6041BC
DP14HH6041CA



This manual is to be used by qualified technicians only.

This manual replaces RP-D3006D.

Important Information

Index

Functional Parts List	3
Illustration and Parts	4 - 11

Views shown are for parts illustrations only, not servicing procedures

Text Codes:

AR - As Required

NA - Not Available

NS - Not Shown

00000000 - See Note

QTY - Quantity Example (QTY 3) (If Quantity not shown, Quantity = 1)

M - Model Example (M1) (If M Code not shown, then part is used on all Models)

Expanded Model Nomenclature:

Example M1 - Model#1 M2 - Model#2 M3 - Model#3

Daikin Company, L.P. is not responsible for personal injury or property damage resulting from improper service. Review all service information before beginning repairs.

Warranty service must be performed by an authorized technician, using authorized factory parts. If service is required after the warranty expires, Daikin Company, L.P. also recommends contacting an authorized technician and using authorized factory parts.

Daikin Company, L.P. reserves the right to discontinue, or change at any time, specifications or designs without notice or without incurring obligations.

For assistance within the U.S.A. contact:
Homeowner Support Department
Daikin North America, LLC
19001 Kermier Road
Waller, Texas 77484
855-770-5678-Telephone
713-863-2382-Facsimile

For assistance outside the U.S.A. contact:
International Division
Goodman Company, L.P.
19001 Kermier Road
Waller, Texas 77484
713-861-2500-Telephone
713-863-2382-Facsimile

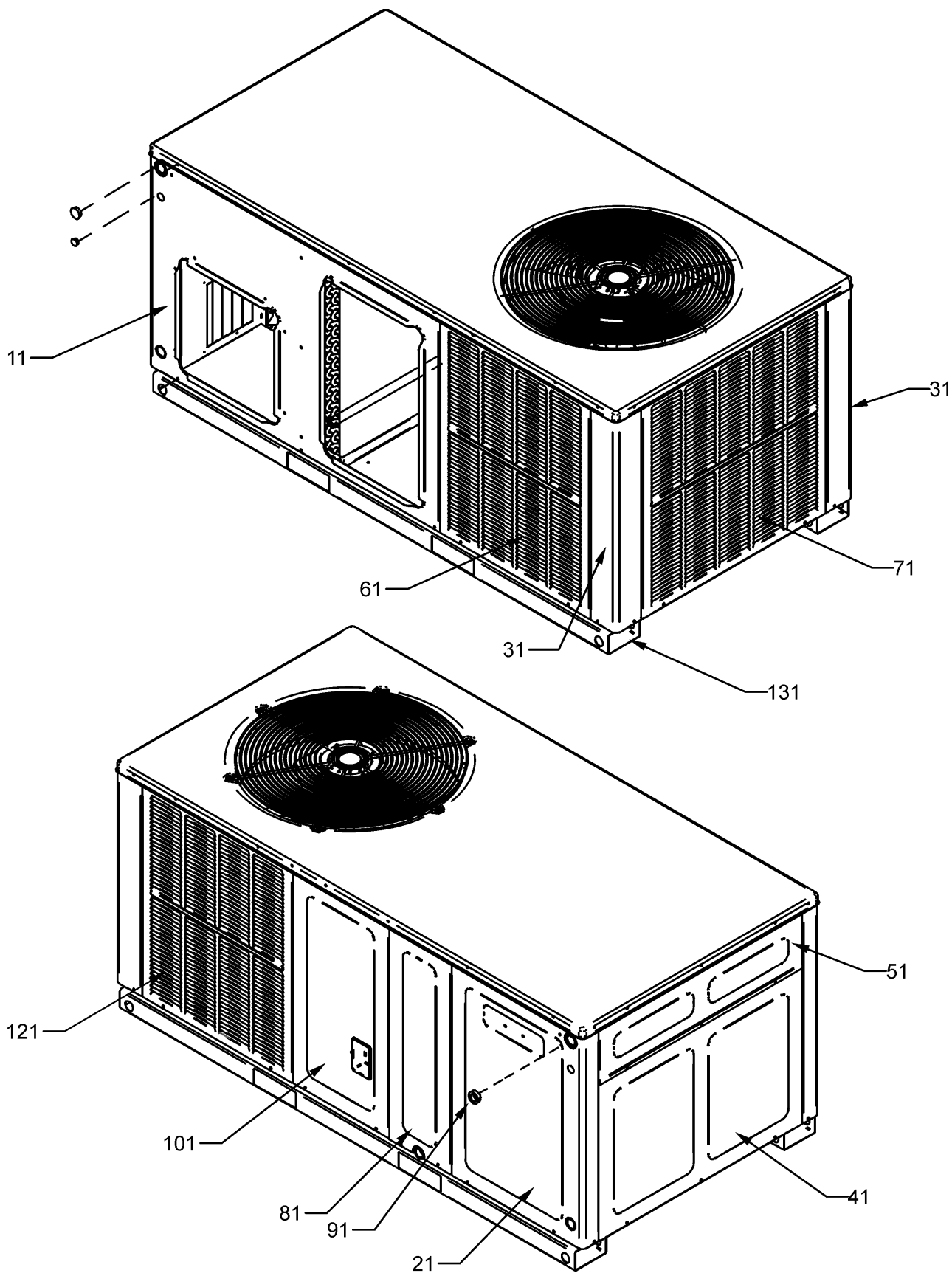
Functional Parts

Part

No: Description:

B1368016	BLOWER WHEEL 10 X 8 (M1, M2, M3, M4, M5, M6, M7, M8, M9, M10, M11, M12, M13, M14, M15, M16, M17, M18, M19, M20)	0151R00069	REVERSING VALVE (M1, M2, M3, M4, M5, M6, M7, M8)																									
B1368054	BLOWER WHEEL 11 X 8 (M21, M22, M23, M24, M25)	0151R00071	REVERSING VALVE (M9, M10, M11, M12, M13, M14, M15, M16, M17, M18, M19, M20, M21, M22, M23, M24, M25)																									
CAP050400440CT	CAPACITOR 5/40/440V/DUAL RD (M1, M2, M3, M4, M5, M6, M7, M8)	B1225022	SOLENOID COIL																									
CAP050450440CT	CAPACITOR 5/45/440V/DUAL RD (M9, M10, M11, M12, M13, M14, M15, M16, M17, M18, M19, M20)	0130M00138	TRANSFORMER 208/230, 24V																									
CAP050700440CT	CAPACITOR 5/70/440V/DUAL RD (M21, M22, M23, M24, M25)	Expanded Model Nomenclature																										
ZP21K5EPFV130	COMPRESSOR 21300, 208/230/60/1 (M1, M2, M3, M4)	<table border="1"> <tbody> <tr><td>M1 - DP14HH2441AA</td></tr> <tr><td>M2 - DP14HH2441AB</td></tr> <tr><td>M3 - DP14HH2441AC</td></tr> <tr><td>M4 - DP14HH2441AD</td></tr> <tr><td>M5 - DP14HH3041AA</td></tr> <tr><td>M6 - DP14HH3041AB</td></tr> <tr><td>M7 - DP14HH3041AC</td></tr> <tr><td>M8 - DP14HH3041AD</td></tr> <tr><td>M9 - DP14HH3641AA</td></tr> <tr><td>M10 - DP14HH3641AB</td></tr> <tr><td>M11 - DP14HH3641AC</td></tr> <tr><td>M12 - DP14HH3641AD</td></tr> <tr><td>M13 - DP14HH4241AA</td></tr> <tr><td>M14 - DP14HH4241BA</td></tr> <tr><td>M15 - DP14HH4241BB</td></tr> <tr><td>M16 - DP14HH4241BC</td></tr> <tr><td>M17 - DP14HH4841AA</td></tr> <tr><td>M18 - DP14HH4841BA</td></tr> <tr><td>M19 - DP14HH4841BB</td></tr> <tr><td>M20 - DP14HH4841BC</td></tr> <tr><td>M21 - DP14HH6041AA</td></tr> <tr><td>M22 - DP14HH6041BA</td></tr> <tr><td>M23 - DP14HH6041BB</td></tr> <tr><td>M24 - DP14HH6041BC</td></tr> <tr><td>M25 - DP14HH6041CA</td></tr> </tbody> </table>		M1 - DP14HH2441AA	M2 - DP14HH2441AB	M3 - DP14HH2441AC	M4 - DP14HH2441AD	M5 - DP14HH3041AA	M6 - DP14HH3041AB	M7 - DP14HH3041AC	M8 - DP14HH3041AD	M9 - DP14HH3641AA	M10 - DP14HH3641AB	M11 - DP14HH3641AC	M12 - DP14HH3641AD	M13 - DP14HH4241AA	M14 - DP14HH4241BA	M15 - DP14HH4241BB	M16 - DP14HH4241BC	M17 - DP14HH4841AA	M18 - DP14HH4841BA	M19 - DP14HH4841BB	M20 - DP14HH4841BC	M21 - DP14HH6041AA	M22 - DP14HH6041BA	M23 - DP14HH6041BB	M24 - DP14HH6041BC	M25 - DP14HH6041CA
M1 - DP14HH2441AA																												
M2 - DP14HH2441AB																												
M3 - DP14HH2441AC																												
M4 - DP14HH2441AD																												
M5 - DP14HH3041AA																												
M6 - DP14HH3041AB																												
M7 - DP14HH3041AC																												
M8 - DP14HH3041AD																												
M9 - DP14HH3641AA																												
M10 - DP14HH3641AB																												
M11 - DP14HH3641AC																												
M12 - DP14HH3641AD																												
M13 - DP14HH4241AA																												
M14 - DP14HH4241BA																												
M15 - DP14HH4241BB																												
M16 - DP14HH4241BC																												
M17 - DP14HH4841AA																												
M18 - DP14HH4841BA																												
M19 - DP14HH4841BB																												
M20 - DP14HH4841BC																												
M21 - DP14HH6041AA																												
M22 - DP14HH6041BA																												
M23 - DP14HH6041BB																												
M24 - DP14HH6041BC																												
M25 - DP14HH6041CA																												
ZP25K5EPFV130	COMPRESSOR 25200, 208/230/60/1 (M5, M6, M7, M8)																											
ZP31K5EPFV130	COMPRESSOR 31100, 208/230/60/1 (M9, M10, M11, M12)																											
ZP34K5EPFV130	COMPRESSOR 34500, 208/230/60/1 (M13, M14, M15, M16)																											
ZP39K5EPFV130	COMPRESSOR 39000, 208/230/60/1 (M17, M18, M19, M20)																											
ZP51K5EPFV130	COMPRESSOR 51000, 208/230/60/1 (M21, M22, M23, M24, M25)																											
0131M00061	COND MOTOR 1/4 HP, 1 SP, 8 PL (M9, M10, M11, M12)																											
0131M00429	COND MOTOR 1/4 HP, 1 SP, 6 PL (M13, M14, M15, M16, M17, M18, M19, M20, M21, M22, M23, M24, M25)																											
0131M00009P	COND MOTOR 1/6 HP, 1 SP, 8 PL (M1, M2, M3, M4, M5, M6, M7, M8)																											
CONT1P025024V	CONTACTOR 25 AMP, 1P, 24V (M1, M2, M3, M4, M5, M6, M7, M8, M9, M10, M11, M12)																											
CONT1P030024V	CONTACTOR 30 AMP, 1P, 24V (M13, M14, M15, M16, M17, M18, M19, M20)																											
CONT2P040024V	CONTACTOR 40 AMP, 2P, 24V (M21, M22, M23, M24, M25)																											
0130M00101	CONTROL, DEFROST (M13, M14, M15, M16, M21, M22)																											
0130M00099	CONTROL, DEFROST (M1, M2, M3, M4, M5, M6, M7, M8, M9, M10, M11, M12, M17, M18, M19, M20, M23, M24, M25)																											
0130M00074	CUT-OUT SWITCH, HIGH PRESSURE (M1, M2, M3, M4, M5, M6, M7, M8, M9, M10, M11, M12, M13, M14, M15, M16, M17, M18, M19, M20, M21, M22, M23, M24)																											
0130M00089	CUT-OUT SWITCH, HIGH PRESSURE (M25)																											
0130M00075	CUT-OUT SWITCH, LOW PRESSURE																											
PCBDM133	DEFROST CONTROL BOARD																											
0130M00106	DISC THERMOSTAT CRNKCS HTR SW (M21, M22, M23, M24, M25)																											
0150G00005	FAN BLADE (M1, M2, M3, M4, M5, M6, M7, M8)																											
0150G00004	FAN BLADE (M13, M14, M15, M16, M17, M18, M19, M20, M21, M22, M23, M24, M25)																											
B1086765	FAN BLADE TYPE 3 (M9, M10, M11, M12)																											
0163R00003	HEATER, CRANKCASE 230V 40W (M21, M22, M23, M24, M25)																											
0131M00485	PROGRAMMED MOTOR (M17)																											
0131M00596	PROGRAMMED MOTOR (M9, M10, M11, M12)																											
0131M00598	PROGRAMMED MOTOR (M1, M2, M3, M4)																											
0131M00600	PROGRAMMED MOTOR (M5, M6, M7, M8)																											
0131M00602	PROGRAMMED MOTOR (M13, M14, M15, M16)																											
0131M00604	PROGRAMMED MOTOR (M21, M22, M23, M24, M25)																											
0131G00035	PROGRAMMED MOTOR (M18, M19, M20)																											

Cabinet Assembly



Cabinet Assembly

Ref. Part No:	Ref. Part No:	Description:	Description:
Image 1:		Expanded Model Nomenclature	
11	0121G00051NG	DUCT PANEL 32.5" (M9, M10, M13, M14, M18)	M1 - DP14HH2441AA
11	0121G00668NG	DUCT PANEL 32.5" (M11, M12, M15, M16, M19, M20)	M2 - DP14HH2441AB
11	0121G00084NG	DUCT PANEL 36" (M17, M21, M22)	M3 - DP14HH2441AC
11	0121G00669NG	DUCT PANEL 36" (M23, M24, M25)	M4 - DP14HH2441AD
11	0121G00050NG	DUCT PANEL 27.5" (M1, M2, M5, M6)	M5 - DP14HH3041AA
11	0121G00667NG	DUCT PANEL 27.5" (M3, M4, M7, M8)	M6 - DP14HH3041AB
21	0121G00521NG	CORNER PANEL 27.5" (M1, M2, M5, M6)	M7 - DP14HH3041AC
21	0121G00664NG	CORNER PANEL 27.5" (M3, M4, M7, M8)	M8 - DP14HH3041AD
21	0121G00522NG	CORNER PANEL 32.5" (M9, M10, M13, M14, M18)	M9 - DP14HH3641AA
21	0121G00665NG	CORNER PANEL 32.5" (M11, M12, M15, M16, M19, M20)	M10 - DP14HH3641AB
21	0121G00523NG	CORNER PANEL 36" (M17, M21, M22)	M11 - DP14HH3641AC
21	0121G00666NG	CORNER PANEL 36" (M23, M24, M25)	M12 - DP14HH3641AD
31	0121G00047NG	CORNER POST 27.5" (M1, M2, M3, M4, M5, M6, M7, M8)	M13 - DP14HH4241AA
31	0121G00048NG	CORNER POST 32.5" (M9, M10, M11, M12, M13, M14, M15, M16, M18, M19, M20)	M14 - DP14HH4241BA
31	0121G00082NG	CORNER POST 36" (M17, M21, M22, M23, M24, M25)	M15 - DP14HH4241BB
41	0121G00271NG	EXTERNAL BLOWER PANEL 27.5" (M1, M2, M3, M4, M5, M6, M7, M8)	M16 - DP14HH4241BC
41	0121G00272NG	EXTERNAL BLOWER PANEL 32.5" (M9, M10, M11, M12, M13, M14, M15, M16, M18, M19, M20)	M17 - DP14HH4841AA
41	0121G00273NG	EXTERNAL BLOWER PANEL 36" (M17, M21, M22, M23, M24, M25)	M18 - DP14HH4841BA
51	0121G00276NG	EXTERNAL CONTROL BOX PANEL	M19 - DP14HH4841BB
61	0121G00069NG	LOUVERED PANEL 4 BANK 27.5" (M1, M2, M3, M4, M5, M6, M7, M8)	M20 - DP14HH4841BC
61	0121G00070NG	LOUVERED PANEL 4 BANK 32.5" (M9, M10, M11, M12, M13, M14, M15, M16, M18, M19, M20)	M21 - DP14HH6041AA
61	0121G00090NG	LOUVERED PANEL 4 BANK 36" (M17, M21, M22, M23, M24, M25)	M22 - DP14HH6041BA
71	0121G00072NG	LOUVERED PANEL 5 BANK 27.5" (M1, M2, M3, M4, M5, M6, M7, M8)	M23 - DP14HH6041BB
71	0121G00073NG	LOUVERED PANEL 5 BANK 32.5" (M9, M10, M11, M12, M13, M14, M15, M16, M18, M19, M20)	M24 - DP14HH6041BC
71	0121G00091NG	LOUVERED PANEL 5 BANK 36" (M17, M21, M22, M23, M24, M25)	M25 - DP14HH6041CA
81	0121G00089NG	PNL, EVAP 36" EXT RMV (M17, M21, M22, M23, M24, M25)	
81	0121G00065NG	PNL, EVAP, 8.75"X27.5" (M1, M2, M3, M4, M5, M6, M7, M8)	
81	0121G00066NG	PNL, EVAP, 8.75"X32.5" (M9, M10, M11, M12, M13, M14, M15, M16, M18, M19, M20)	
91	B1392012	GROMMET / HS 1.0 - .79	
101	0121G00712NG	COMPRESSOR PANEL (M12, M16, M20)	
101	0121G00713NG	COMPRESSOR PANEL (M4, M8)	
101	0121G00715NG	COMPRESSOR PANEL (M24, M25)	
101	0121G00062NG	COMPRESSOR PANEL 13.68" X 27.50" (M1, M2, M3, M5, M6, M7)	
101	0121G00060NG	COMPRESSOR PANEL 8.75" X 32.50" (M9, M10, M11, M13, M14, M15, M18, M19)	
101	0121G00087NG	COMPRESSOR PANEL 8.75" X 36" (M17, M21, M22, M23)	
121	0121G00072NG	LOUVERED PANEL 5 BANK 27.5" (M1, M2, M3, M4, M5, M6, M7, M8)	
121	0121G00073NG	LOUVERED PANEL 5 BANK 32.5" (M9, M10, M11, M12, M13, M14, M15, M16, M18, M19, M20)	
121	0121G00091NG	LOUVERED PANEL 5 BANK 36" (M17, M21, M22, M23, M24, M25)	
131	0121G00044PRF	BASEPAN RAIL (QTY 2)	
NS	0164G00005	GROMMET-HORSESHOE 1.675 (M4, M8, M12, M16, M20, M24, M25)	

Chassis Assembly

Image 1

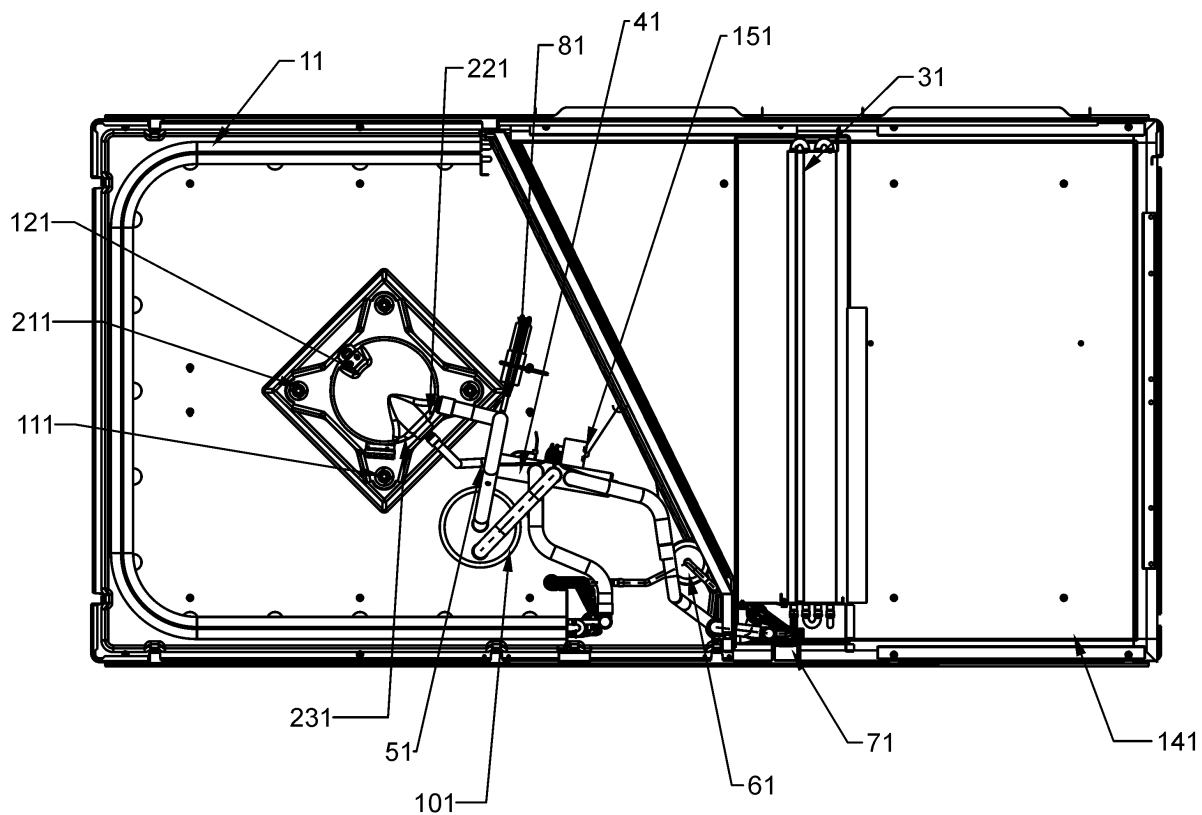


Image 2

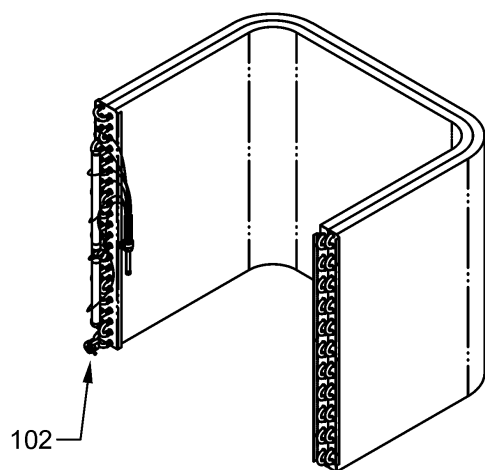
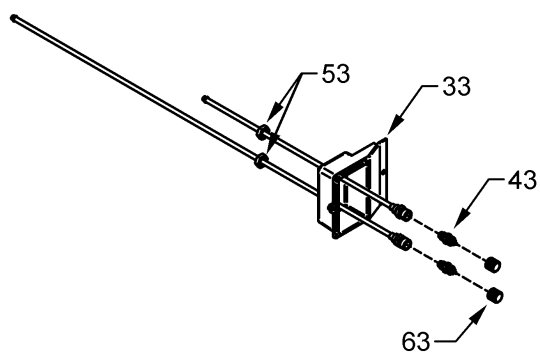


Image 3



Chassis Assembly

Ref. Part No: No:	Description:	Ref. Part No: No:	Description:
Image 1:		Image 1:	
11	0201G00295 COND COIL TUBING ASSY (M17)	NS	0128G00052 EVAP DRIP SHIELD (M1, M2, M3, M4, M5, M6, M7, M8, M9, M10, M11, M12, M13, M14, M15, M16, M17, M18, M19, M20, M22, M23, M24, M25)
11	0201G00298 COND COIL TUBING ASSY (M9, M10, M11, M12)	NS	0162M00166 FLOWRATOR (M17)
11	0201G00322 COND COIL TUBING ASSY (M21)	NS	0162M00197 FLOWRATOR (M22)
11	0201G00332 COND COIL TUBING ASSY (M18, M19, M20)	NS	0162M00218 FLOWRATOR (M13, M14, M18)
11	0201G00343 COND COIL TUBING ASSY (M22, M23, M24)	NS	0162M00219 FLOWRATOR (M9, M10)
11	0201G00344 COND COIL TUBING ASSY (M14, M15, M16)	NS	0162M00220 FLOWRATOR (M1, M2)
11	0201R00676 COND COIL TUBING ASSY (M25)	NS	0162M00221 FLOWRATOR (M5, M6)
11	0201G00279 TUBING ASSY, COND COIL (M1, M2, M3, M4, M5, M6, M7, M8)	NS	0162M00021P FLOWRATOR .047 (M1, M2, M3, M4, M5, M6, M7, M8)
11	0201G00294 TUBING ASSY, COND COIL (M13)	NS	0162M00098 FLOWRATOR .065 (M13, M14, M15, M16, M18, M19, M20)
31	0202G00478 TUBING ASSY, EVAP COIL (M17)	NS	0162M00012P FLOWRATOR .071 [COND] (M21, M22, M23, M24)
31	0202G00481 TUBING ASSY, EVAP COIL (M1, M2)	NS	0162M00093 FLOWRATOR .088 (M21)
31	0202G00483 TUBING ASSY, EVAP COIL (M5, M6)	NS	0162M00213 FLOWRATOR [COND] (M9, M10, M11, M12)
31	0202G00516 TUBING ASSY, EVAP COIL (M9, M10)	NS	0162M00214 FLOWRATOR [COND] (M17)
31	0202G00517 TUBING ASSY, EVAP COIL (M13, M14, M18)	NS	0162M00399 FLOWRATOR [COND] (M25)
31	0202G00518 TUBING ASSY, EVAP COIL (M22)	NS	0162M00310 FLOWRATOR, AL (M23, M24, M25)
31	0202G00520 TUBING ASSY, EVAP COIL (M21)	NS	0162M00311 FLOWRATOR, AL (M15, M16, M19, M20)
31	0202G00559 TUBING ASSY, EVAP COIL (M3, M4)	NS	0162M00312 FLOWRATOR, AL (M11, M12)
31	0202G00560 TUBING ASSY, EVAP COIL (M7, M8)	NS	0162M00313 FLOWRATOR, AL (M3, M4)
31	0202G00561 TUBING ASSY, EVAP COIL (M11, M12)	NS	0162M00314 FLOWRATOR, AL (M7, M8)
31	0202G00562 TUBING ASSY, EVAP COIL (M15, M16, M19, M20)	NS	0121G00045P POST 27.5" (M1, M2, M3, M4, M5, M6, M7, M8)
31	0202G00598 TUBING ASSY, EVAP COIL (M23, M24, M25)	NS	0121G00079P POST 32.5" (M9, M10, M11, M12, M13, M14, M15, M16, M18, M19, M20)
41	0151R00069 REVERSING VALVE (M1, M2, M3, M4, M5, M6, M7, M8)	NS	0121G00083P POST 36" (M17, M21, M22, M23, M24, M25)
41	0151R00071 REVERSING VALVE (M9, M10, M11, M12, M13, M14, M15, M16, M17, M18, M19, M20, M21, M22, M23, M24, M25)	Image 2:	
51	0130M00074 CUT-OUT SWITCH, HIGH PRESSURE (M1, M2, M3, M4, M5, M6, M7, M8, M9, M10, M11, M12, M13, M14, M15, M16, M17, M18, M19, M20, M21, M22, M23, M24)	102	0130M00099 CONTROL, DEFROST (M1, M2, M3, M4, M5, M6, M7, M8, M9, M10, M11, M12, M17, M18, M19, M20, M23, M24, M25)
51	0130M00089 CUT-OUT SWITCH, HIGH PRESSURE (M25)	102	0130M00101 CONTROL, DEFROST (M13, M14, M15, M16, M21, M22)
61	B1219204 BI-FLOW FILTER DRIER	Image 3:	
71	0161G00000P DRIP PAN	33	0161G00008 ACCESS-FITTING BOX (M1, M2, M3, M5, M6, M7, M9, M10, M11, M13, M14, M15, M17, M18, M19, M21, M22, M23)
81	0130M00075 CUT-OUT SWITCH, LOW PRESSURE	43	B1373315 ACCESS FITTING (QTY 2)
101	B1226206 ACCUMULATOR (M1, M2, M3, M4, M5, M6, M7, M8)	53	0163G00000P FASTEST FITTING NUT (M1, M2, M3, M5, M6, M7, M9, M10, M11, M13, M14, M15, M17, M18, M19, M21, M22, M23)
101	B1226207 ACCUMULATOR .875 (M9, M10, M11, M12, M13, M14, M15, M16, M17, M18, M19, M20, M21, M22, M23, M24, M25)	63	0163M00175 CAP WITH O-RING (QTY 2)
111	B1339533 COMPRESSOR GROMMET (QTY 4)		
121	ZP21K5EPFV130 COMPRESSOR 21300, 208/230/60/1 (M1, M2, M3, M4)		
121	ZP25K5EPFV130 COMPRESSOR 25200, 208/230/60/1 (M5, M6, M7, M8)		
121	ZP31K5EPFV130 COMPRESSOR 31100, 208/230/60/1 (M9, M10, M11, M12)		
121	ZP34K5EPFV130 COMPRESSOR 34500, 208/230/60/1 (M13, M14, M15, M16)		
121	ZP39K5EPFV130 COMPRESSOR 39000, 208/230/60/1 (M17, M18, M19, M20)		
121	ZP51K5EPFV130 COMPRESSOR 51000, 208/230/60/1 (M21, M22, M23, M24, M25)		
141	0121G00046P INSULATED ASSY, BASEPAN		
151	B1225022 SOLENOID COIL		
211	M0221641 TF SHOULDER SCREW (QTY 4)		
231	0163R00003 HEATER, CRANKCASE 230V 40W (M21, M22, M23, M24, M25)		
NS	0159G00004 COMPRESSOR SCROLL HARNESS		
NS	B1488806 COMPRESSOR SOUND BLANKET (M1, M2, M5, M6, M9, M10, M15, M16, M19, M20, M23, M24, M25)		
NS	B1488807 COMPRESSOR SOUND BLANKET (M3, M4, M7, M8, M11, M12, M14, M18, M22)		
NS	0130M00106 DISC THERMOSTAT CRNKCS HTR SW (M21, M22, M23, M24, M25)		
NS	0121G00043P EVAP DRIP SHIELD (M21)		

Chassis Assembly

Ref. Part

No: No:

Description:

Ref. Part

No: No:

Description:

Expanded Model Nomenclature

M1 - DP14HH2441AA
M2 - DP14HH2441AB
M3 - DP14HH2441AC
M4 - DP14HH2441AD
M5 - DP14HH3041AA
M6 - DP14HH3041AB
M7 - DP14HH3041AC
M8 - DP14HH3041AD
M9 - DP14HH3641AA
M10 - DP14HH3641AB
M11 - DP14HH3641AC
M12 - DP14HH3641AD
M13 - DP14HH4241AA
M14 - DP14HH4241BA
M15 - DP14HH4241BB
M16 - DP14HH4241BC
M17 - DP14HH4841AA
M18 - DP14HH4841BA
M19 - DP14HH4841BB
M20 - DP14HH4841BC
M21 - DP14HH6041AA
M22 - DP14HH6041BA
M23 - DP14HH6041BB
M24 - DP14HH6041BC
M25 - DP14HH6041CA

Top Panel and Control Box Assembly

Image 1

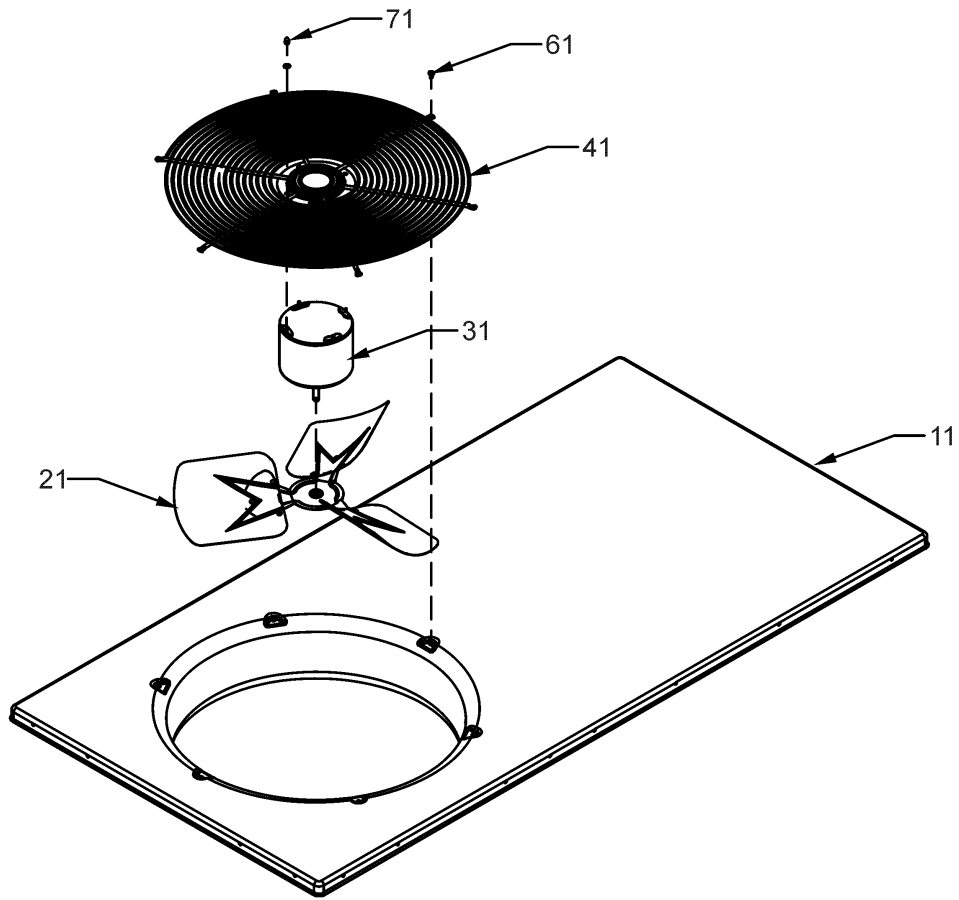
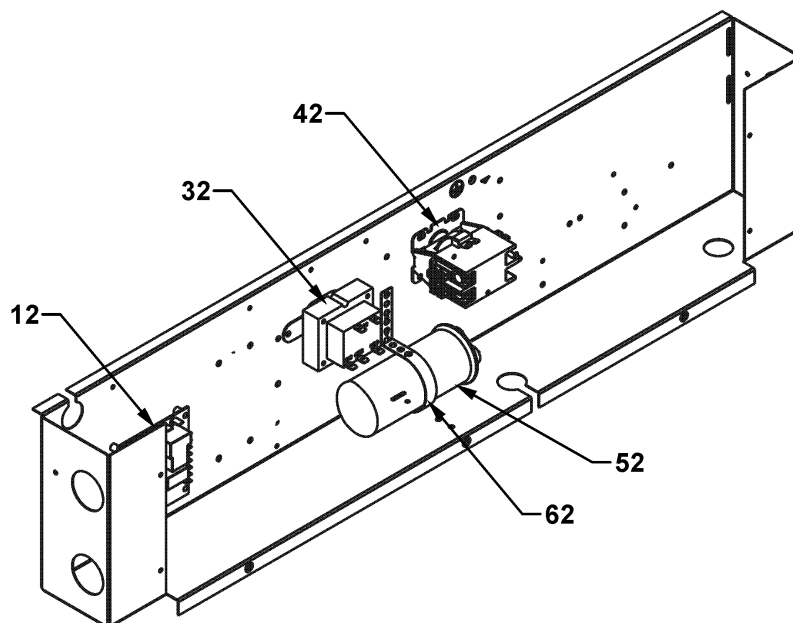


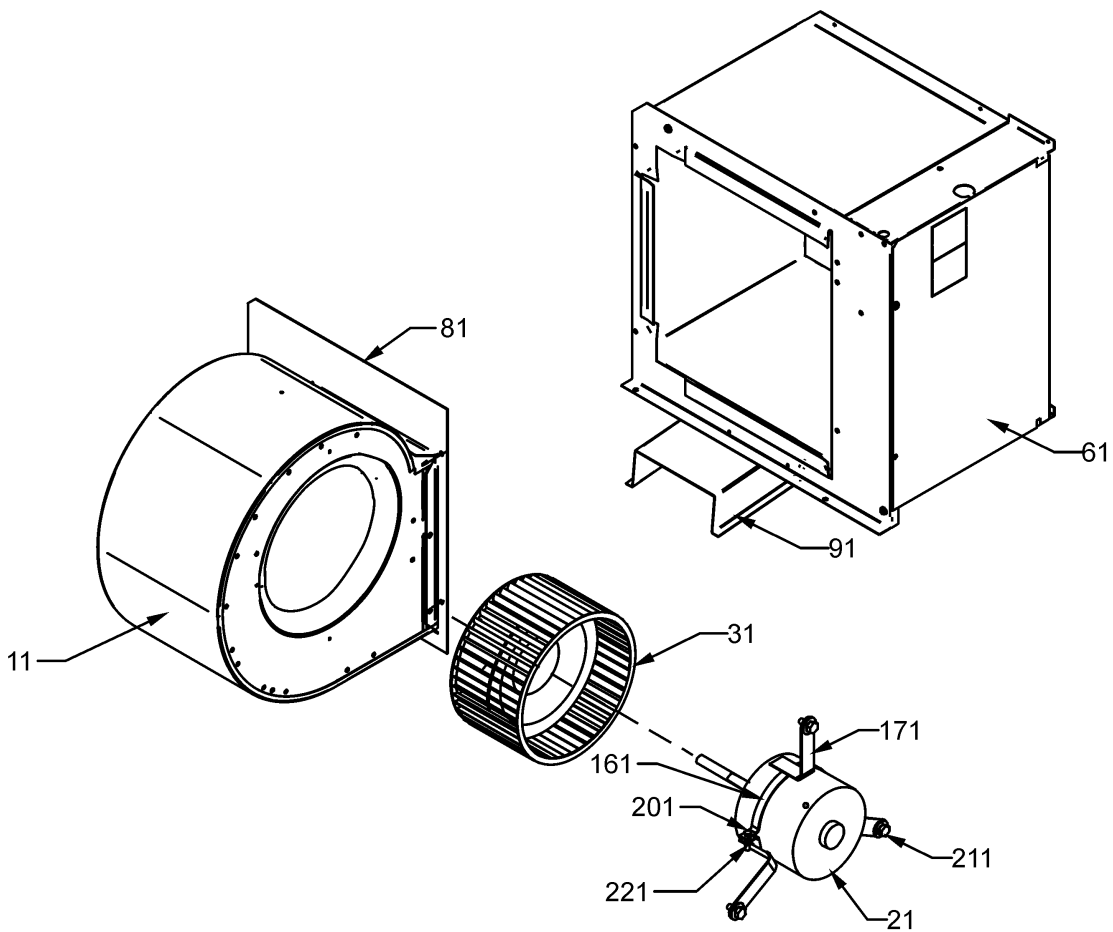
Image 2



Top Panel and Control Box Assembly

Ref. Part No: No:	Description:	Ref. Part No: No:	Description:
Image 1:		Expanded Model Nomenclature	
11	0121G00274NG TOP PANEL PAINTED	M1	DP14HH2441AA
21	0150G00004 FAN BLADE (M13, M14, M15, M16, M17, M18, M19, M20, M21, M22, M23, M24, M25)	M2	DP14HH2441AB
21	0150G00005 FAN BLADE (M1, M2, M3, M4, M5, M6, M7, M8)	M3	DP14HH2441AC
21	B1086765 FAN BLADE TYPE 3 (M9, M10, M11, M12)	M4	DP14HH2441AD
31	0131M00061 COND MOTOR 1/4 HP, 1 SP, 8 PL (M9, M10, M11, M12)	M5	DP14HH3041AA
31	0131M00429 COND MOTOR 1/4 HP, 1 SP, 6 PL (M13, M14, M15, M16, M17, M18, M19, M20, M21, M22, M23, M24, M25)	M6	DP14HH3041AB
31	0131M0009P COND MOTOR 1/6 HP, 1 SP, 8 PL (M1, M2, M3, M4, M5, M6, M7, M8)	M7	DP14HH3041AC
41	0152G00003 FAN GRILLE	M8	DP14HH3041AD
61	M0221817 SMALL SCREW (QTY 4)	M9	DP14HH3641AA
71	0163M00006P ACORN NUT 5/16 HEX BLACK (QTY 4)	M10	DP14HH3641AB
NS	17788000083F PVC CONDUIT 8.25"	M11	DP14HH3641AC
		M12	DP14HH3641AD
		M13	DP14HH4241AA
		M14	DP14HH4241BA
		M15	DP14HH4241BB
		M16	DP14HH4241BC
		M17	DP14HH4841AA
		M18	DP14HH4841BA
		M19	DP14HH4841BB
		M20	DP14HH4841BC
		M21	DP14HH6041AA
		M22	DP14HH6041BA
		M23	DP14HH6041BB
		M24	DP14HH6041BC
		M25	DP14HH6041CA
Image 2:			
12	PCBDM133 DEFROST CONTROL BOARD		
32	0130M00138 TRANSFORMER 208/230, 24V		
42	CONT1P025024V CONTACTOR 25 AMP, 1P, 24V (M1, M2, M3, M4, M5, M6, M7, M8, M9, M10, M11, M12)		
42	CONT1P030024V CONTACTOR 30 AMP, 1P, 24V (M13, M14, M15, M16, M17, M18, M19, M20)		
42	CONT2P040024V CONTACTOR 40 AMP, 2P, 24V (M21, M22, M23, M24, M25)		
52	CAP050400440CT CAPACITOR 5/40/440V/DUAL RD (M1, M2, M3, M4, M5, M6, M7, M8)		
52	CAP050450440CT CAPACITOR 5/45/440V/DUAL RD (M9, M10, M11, M12, M13, M14, M15, M16, M17, M18, M19, M20)		
52	CAP050700440CT CAPACITOR 5/70/440V/DUAL RD (M21, M22, M23, M24, M25)		
62	20520901 CAPACITOR STRAP		
NS	0259G00003 WIRE HARNESS, ELECTRIC HEAT		

Blower Assembly



Blower Assembly

Ref. Part No: No:	Description:	Ref. Part No: No:	Description:
Image 1:		Expanded Model Nomenclature	
11	10324248	BLOWER HOUSING 10 X 8 (M1, M2, M3, M4, M5, M6, M7, M8, M9, M10, M11, M12, M13, M14, M15, M16, M17, M18, M19, M20)	M1 - DP14HH2441AA M2 - DP14HH2441AB
11	0271G00017	BLOWER HOUSING 11 X 8 (M21, M22, M23, M24, M25)	M3 - DP14HH2441AC M4 - DP14HH2441AD
21	0131G00035	PROGRAMMED MOTOR (M18, M19, M20)	M5 - DP14HH3041AA
21	0131M00485	PROGRAMMED MOTOR (M17)	M6 - DP14HH3041AB
21	0131M00596	PROGRAMMED MOTOR (M9, M10, M11, M12)	M7 - DP14HH3041AC
21	0131M00598	PROGRAMMED MOTOR (M1, M2, M3, M4)	M8 - DP14HH3041AD
21	0131M00600	PROGRAMMED MOTOR (M5, M6, M7, M8)	M9 - DP14HH3641AA
21	0131M00602	PROGRAMMED MOTOR (M13, M14, M15, M16)	M10 - DP14HH3641AB
21	0131M00604	PROGRAMMED MOTOR (M21, M22, M23, M24, M25)	M11 - DP14HH3641AC M12 - DP14HH3641AD
31	B1368016	BLOWER WHEEL 10 X 8 (M1, M2, M3, M4, M5, M6, M7, M8, M9, M10, M11, M12, M13, M14, M15, M16, M17, M18, M19, M20)	M13 - DP14HH4241AA
31	B1368054	BLOWER WHEEL 11 X 8 (M21, M22, M23, M24, M25)	M14 - DP14HH4241BA
61	0121G00039P	HEATER KIT COVER	M15 - DP14HH4241BB
81	0121G00128P	BLOWER MOUNT (M21, M22, M23, M24, M25)	M16 - DP14HH4241BC
81	0121G00035P	BLOWER MOUNT 10 X 8 (M1, M2, M3, M4, M5, M6, M7, M8, M9, M10, M11, M12, M13, M14, M15, M16, M17, M18, M19, M20)	M17 - DP14HH4841AA
91	0121G00040P	BLOWER SUPPORT	M18 - DP14HH4841BA
161	0121M00038	MOTOR MOUNT BAND	M19 - DP14HH4841BB
171	B1376853	MOTOR MOUNT ARM (M1, M2, M3, M4, M5, M6, M7, M8, M9, M10, M11, M12, M13, M14, M15, M16, M17, M18, M19, M20)	M20 - DP14HH4841BC
171	B1376857	MOTOR MOUNT ARM (M21, M22, M23, M24, M25)	M21 - DP14HH6041AA
201	B1393323	MACHINE SCREW HWH 1/4-20 X 1-1/2 BZ	M22 - DP14HH6041BA
211	M0250565	TC SCREW 1.25" (QTY 3)	M23 - DP14HH6041BB
221	B1393800	LOCKNUT, NYLON, INSERT 1/4, 20	M24 - DP14HH6041BC
NS	C6121810	BLOWER CUT-OFF (M1, M2, M3, M4, M5, M6, M7, M8, M9, M10, M11, M12, M13, M14, M15, M16, M17, M18, M19, M20)	M25 - DP14HH6041CA
NS	2964700	BLOWER CUT-OFF 11 X 8 (M21, M22, M23, M24, M25)	