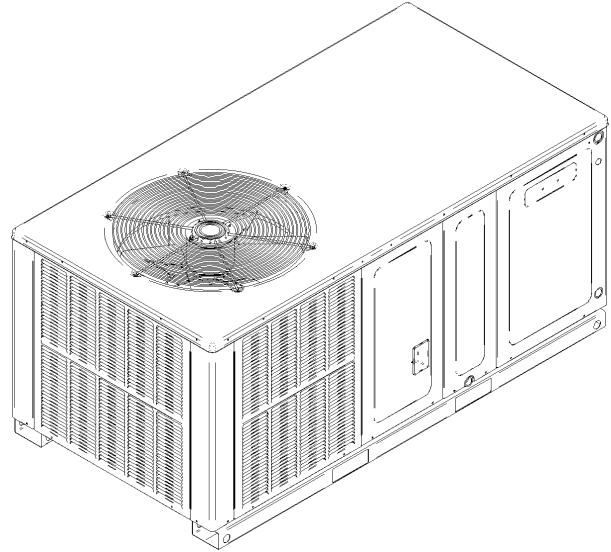

DP14HH Horizontal Series Package Heat Pump

DP14HH2441AE
DP14HH3041AE
DP14HH3641AE



This manual is to be used by qualified technicians only.

Important Information

Index

Functional Parts List	3
Illustration and Parts	4 - 11

Views shown are for parts illustrations only, not servicing procedures

Text Codes:

AR - As Required

NA - Not Available

NS - Not Shown

00000000 - See Note

QTY - Quantity Example (QTY 3) (If Quantity not shown, Quantity = 1)

M - Model Example (M1) (If M Code not shown, then part is used on all Models)

Expanded Model Nomenclature:

Example M1 - Model#1 M2 - Model#2 M3 - Model#3

Daikin Manufacturing Company, L.P. is not responsible for personal injury or property damage resulting from improper service. Review all service information before beginning repairs.

Warranty service must be performed by an authorized technician, using authorized factory parts. If service is required after the warranty expires, Daikin Manufacturing Company, L.P. also recommends contacting an authorized technician and using authorized factory parts.

Daikin Manufacturing Company, L.P. reserves the right to discontinue, or change at any time, specifications or designs without notice or without incurring obligations.

For assistance within the U.S.A. contact:

Homeowner Support
Daikin North America, LLC
19001 Kermier Road
Waller, Texas 77484
855-770-5678-Telephone
713-863-2382-Facsimile

For assistance outside the U.S.A. contact:

International Division
Daikin North America, LLC
19001 Kermier Road
Waller, Texas 77484
713-861-2500-Telephone
713-863-2382-Facsimile

Functional Parts

Part

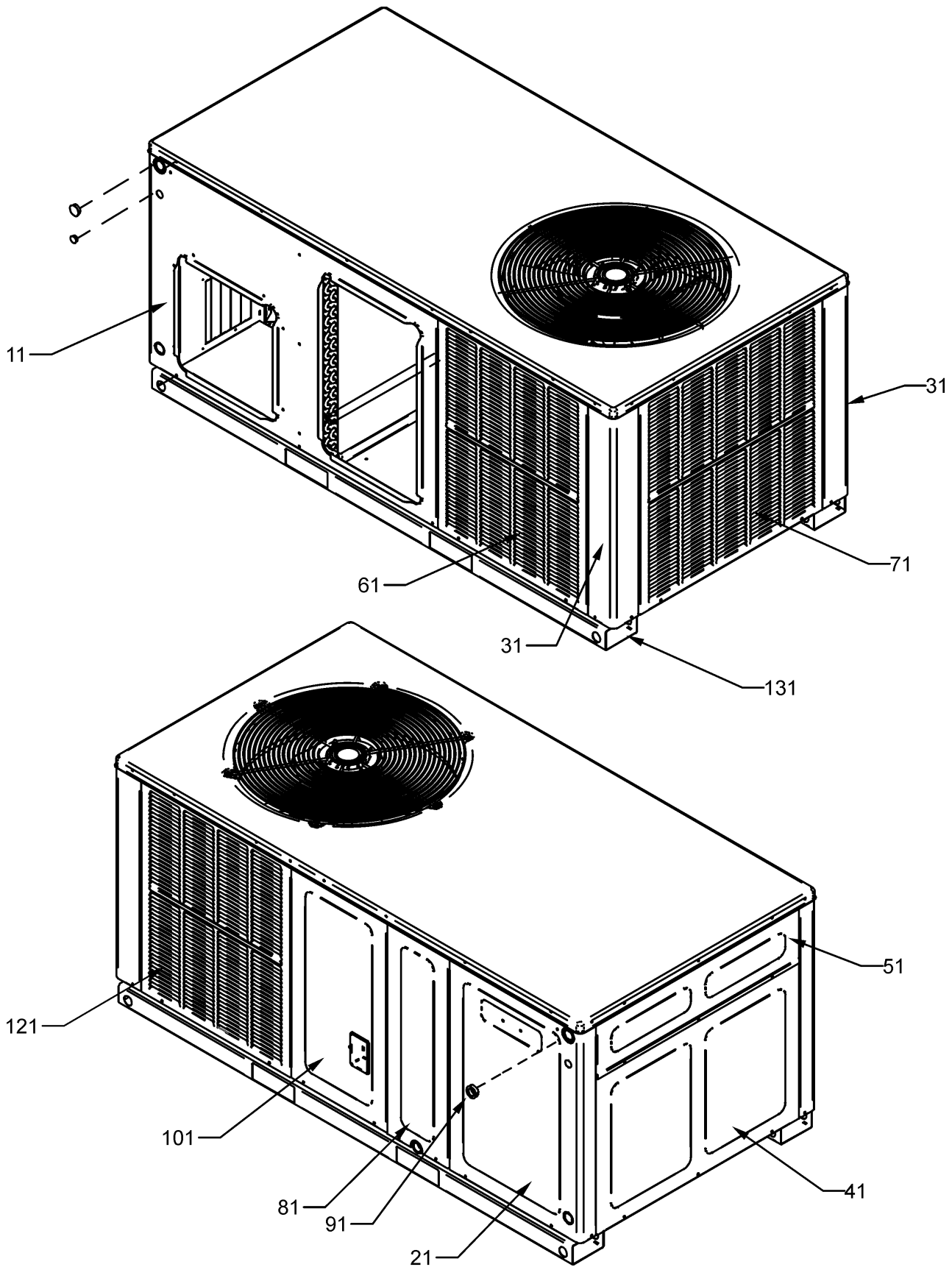
No: **Description:**

B1368016	BLOWER WHEEL 10 X 8
CAP050450440CT	CAP, 5/45 MFD/440V/DUAL RD (M3)
CAP050400440CT	CAPACITOR 5/40/440V/DUAL RD (M1, M2)
ZP21K5EPFV130	COMPRESSOR 21300, 208/230/60/1 (M1)
ZP25K5EPFV130	COMPRESSOR 25200, 208/230/60/1 (M2)
ZP31K5EPFV130	COMPRESSOR 31100, 208/230/60/1 (M3)
CONT1P025024V	CONTACTOR 25 AMP, 1P, 24V
0130M00099	CONTROL, DEFROST
0131M00750M	CONTROLLERLESS MOTOR
0130M00074	CUT-OUT SWITCH, HIGH PRESSURE
PCBDM133	DEFROST CONTROL BOARD
0150M00055	FAN BLADE, 22" (M1, M2)
B1086765	FAN BLADE, TYPE 3 (M3)
0130M00075	LOW PRESSURE SWITCH
0131M00753	MOTOR, 1/6HP, 1SP, 8PL, AL (M1, M2)
0131M00951	Motor, OD, PSC, 1/4 HP (M3)
0131M00597	PROGRAMMED CONTROLLER (M3)
0131M00599	PROGRAMMED CONTROLLER (M1)
0131M00601	PROGRAMMED CONTROLLER (M2)
0151R00068	REVERSING VALVE (M1)
0151R00071	REVERSING VALVE (M3)
0151R00069	REVERSING VALVE (M2)
B1225022	SOLENOID COIL
0130M00138	TRANSFORMER 208/230, 24V

Expanded Model Nomenclature

M1 - DP14HH2441AE
M2 - DP14HH3041AE
M3 - DP14HH3641AE

Cabinet Assembly



Cabinet Assembly

Ref. Part No:	Part No:	Description:	Ref. Part No:	Part No:	Description:
---------------	----------	--------------	---------------	----------	--------------

Image 1:

11	0121G00668NG	DUCT PANEL 32.5" (M3)
11	0121G00667NG	DUCT PANEL 27.5" (M1, M2)
21	0121G00664NG	CORNER PANEL 27.5" (M1, M2)
21	0121G00665NG	CORNER PANEL 32.5" (M3)
31	0121G00047NG	CORNER POST 27.5" (M1, M2)
31	0121G00048NG	CORNER POST 32.5" (M3)
41	0121G00271NG	EXTERNAL BLOWER PANEL 27.5" (M1, M2)
41	0121G00272NG	EXTERNAL BLOWER PANEL 32.5" (M3)
51	0121G00276NG	EXTERNAL CONTROL BOX PANEL
61	0121G00069NG	LOUVERED PANEL 4 BANK 27.5" (M1, M2)
61	0121G00070NG	LOUVERED PANEL 4 BANK 32.5" (M3)
71	0121G00072NG	LOUVERED PANEL 5 BANK 27.5" (M1, M2)
71	0121G00073NG	LOUVERED PANEL 5 BANK 32.5" (M3)
81	0121G00065NG	PNL, EVAP, 8.75"X27.5" (M1, M2)
81	0121G00066NG	PNL, EVAP, 8.75"X32.5" (M3)
91	B1392012	GROMMET / HS 1.0 - .79
101	0121G00712NG	COMPRESSOR PANEL (M3)
101	0121G00713NG	COMPRESSOR PANEL (M1, M2)
121	0121G00072NG	LOUVERED PANEL 5 BANK 27.5" (M1, M2)
121	0121G00073NG	LOUVERED PANEL 5 BANK 32.5" (M3)
131	0121G00044PRF	BASEPAN RAIL (QTY 2)
NS	0164G00005	GROMMET-HORSESHOE 1.675

Expanded Model Nomenclature

- | |
|-------------------|
| M1 - DP14HH2441AE |
| M2 - DP14HH3041AE |
| M3 - DP14HH3641AE |

Chassis Assembly

Image 1

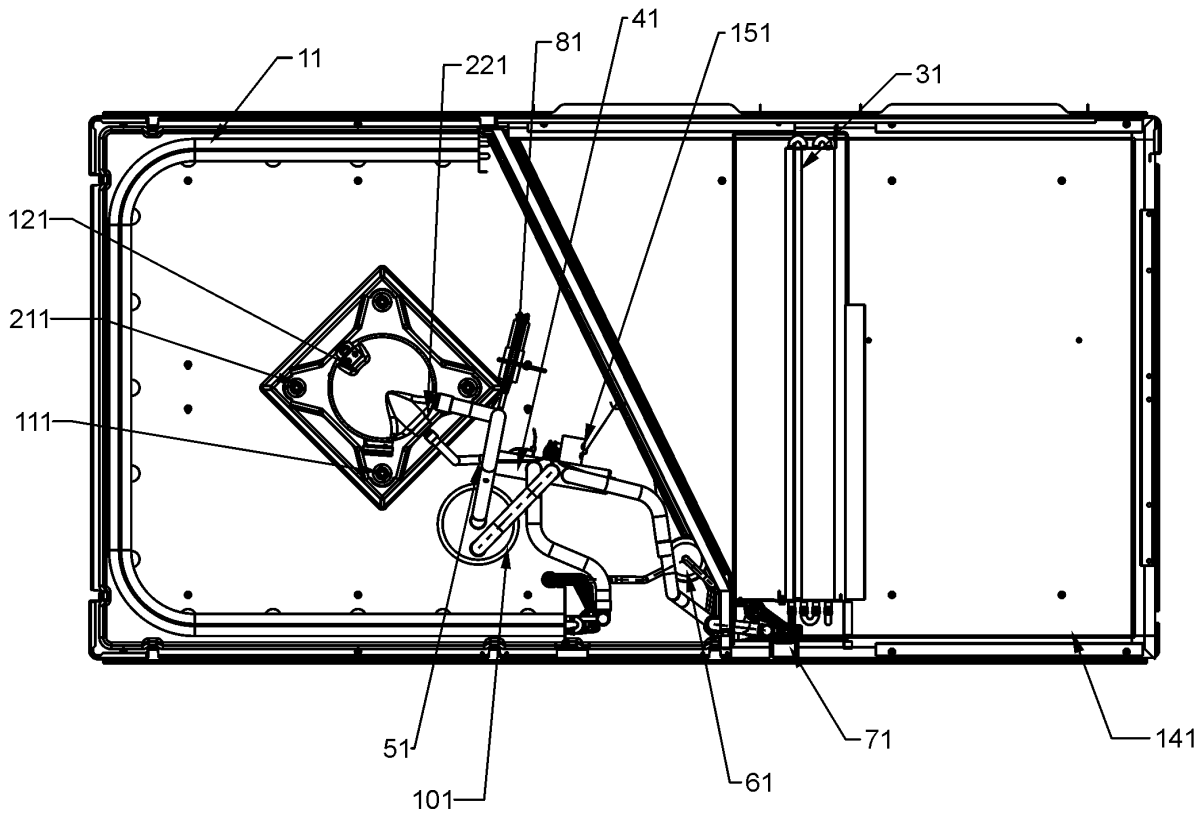


Image 2

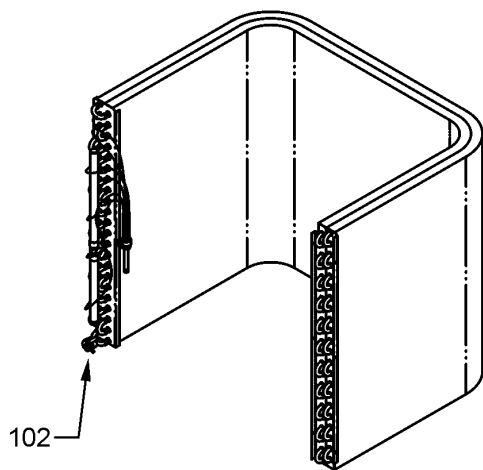
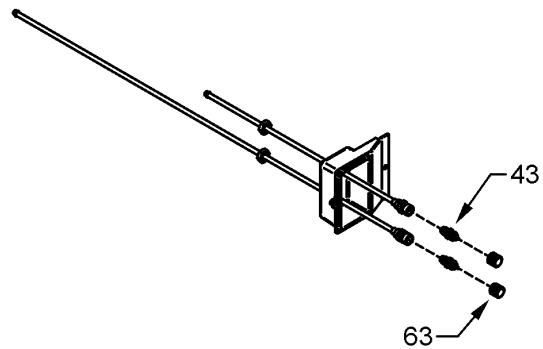


Image 3



Chassis Assembly

Ref. Part No:	Part No:	Description:	Ref. Part No:	Part No:	Description:
---------------	----------	--------------	---------------	----------	--------------

Image 1:

11	0201G00279	COND COIL TUBING ASSY (M1)
11	0201G00438	COND COIL TUBING ASSY (M2)
11	0201G00440	COND COIL TUBING ASSY (M3)
31	0202G00559	TUBING ASSY, EVAP COIL (M1)
31	0202G00560	TUBING ASSY, EVAP COIL (M2)
31	0202G00561	TUBING ASSY, EVAP COIL (M3)
41	0151R00068	REVERSING VALVE (M1)
41	0151R00069	REVERSING VALVE (M2)
41	0151R00071	REVERSING VALVE (M3)
51	0130M00074	CUT-OUT SWITCH, HIGH PRESSURE
61	B1219204	BI-FLOW FILTER DRIER
71	0161G00000P	DRIP PAN
81	0130M00075	LOW PRESSURE SWITCH
101	B1226206	ACCUMULATOR (M1, M2)
101	B1226207	ACCUMULATOR .875 (M3)
111	B1339533	COMPRESSOR GROMMET (QTY 4)
121	ZP21K5EPFV130	COMPRESSOR 21300, 208/230/60/1 (M1)
121	ZP25K5EPFV130	COMPRESSOR 25200, 208/230/60/1 (M2)
121	ZP31K5EPFV130	COMPRESSOR 31100, 208/230/60/1 (M3)
141	0121G00046P	BASEPAN
151	B1225022	SOLENOID COIL
211	M0221641	TF SHOULDER SCREW (QTY 4)
NS	0160M00039	COMPRESSOR BLANKET
NS	0159G00004	COMPRESSOR SCROLL HARNESS
NS	0128G00052	EVAP DRIP SHIELD
NS	0121G00045P	POST 27.5" (M1, M2)
NS	0121G00079P	POST 32.5" (M3)

Image 2:

102	0130M00099	CONTROL, DEFROST
-----	------------	------------------

Image 3:

43	B1373315	ACCESS FITTING (QTY 2)
63	0163M00175	CAP WITH O-RING (QTY 2)

Expanded Model Nomenclature

M1 - DP14HH2441AE
M2 - DP14HH3041AE
M3 - DP14HH3641AE

Top Panel and Control Box Assembly

Image 1

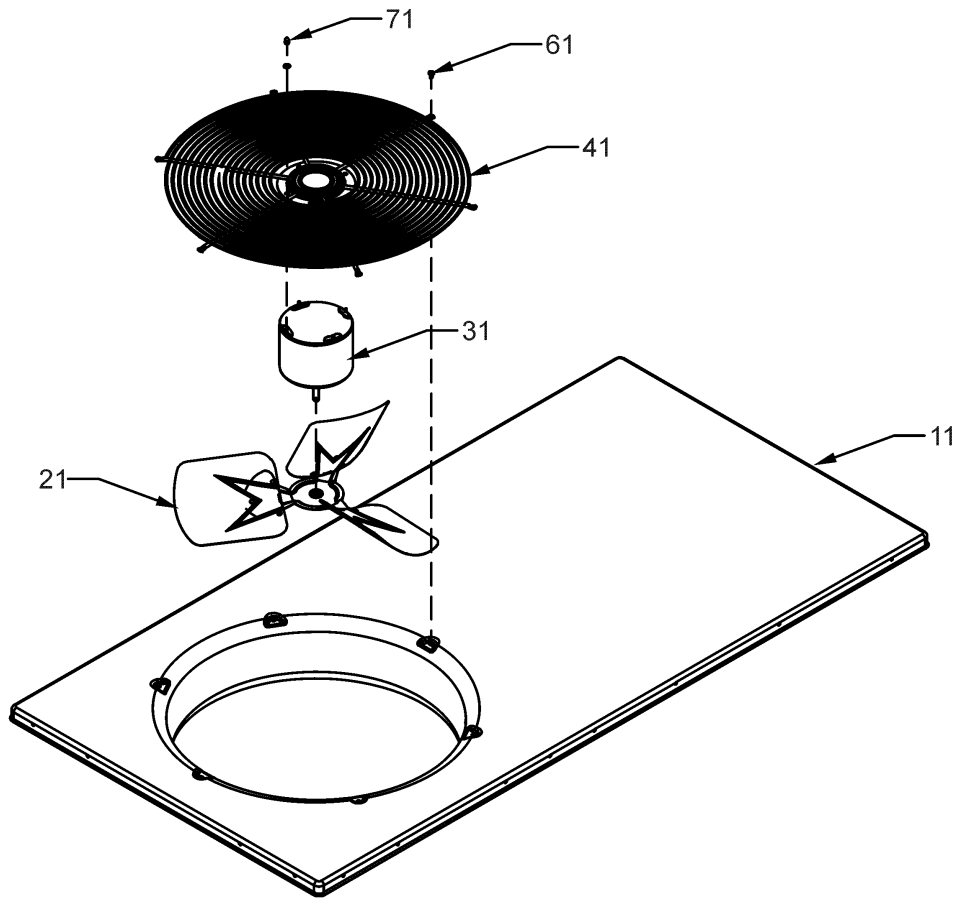
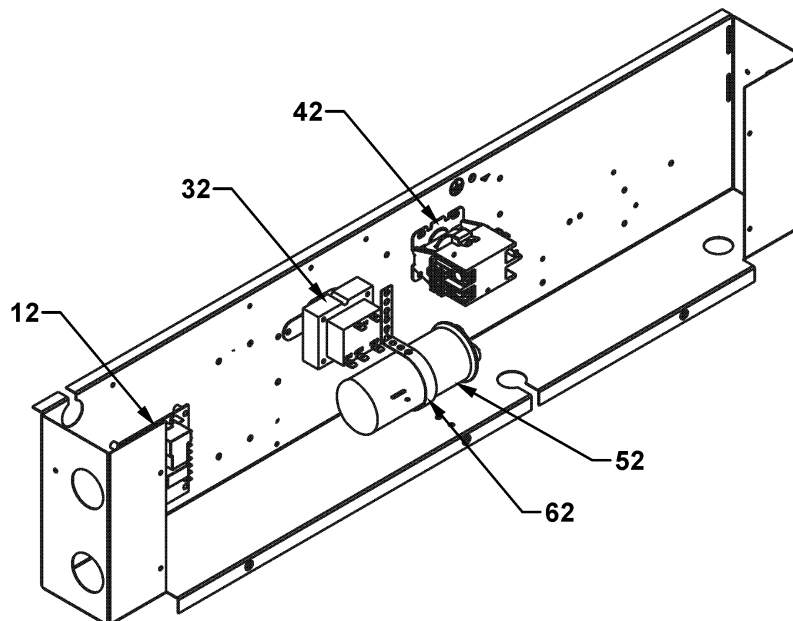


Image 2



Top Panel and Control Box Assembly

Ref. Part**No: No:****Description:****Ref. Part****No: No:****Description:****Image 1:**

11	0121G00274NG	TOP PANEL PAINTED
21	0150M00055	FAN BLADE, 22" (M1, M2)
21	B1086765	FAN BLADE, TYPE 3 (M3)
31	0131M00753	MOTOR, 1/6HP, 1SP, 8PL, AL (M1, M2)
31	0131M00951	Motor, OD, PSC, 1/4 HP (M3)
41	0152G00003	FAN GRILLE
61	M0221817	SMALL SCREW
71	0163M00006P	ACORN NUT 5/16 HEX BLACK (QTY 4)
NS	0161G00016	CONDUIT PVC

Image 2:

12	PCBDM133	DEFROST CONTROL BOARD
32	0130M00138	TRANSFORMER 208/230, 24V
42	CONT1P025024V	CONTACTOR 25 AMP, 1P, 24V
52	CAP050450440CT	CAP, 5/45 MFD/440V/DUAL RD (M3)
52	CAP050400440CT	CAPACITOR 5/40/440V/DUAL RD (M1, M2)
62	20520901	CAPACITOR STRAP
NS	0259G00003	WIRE HARNESS, ELECTRIC HEAT

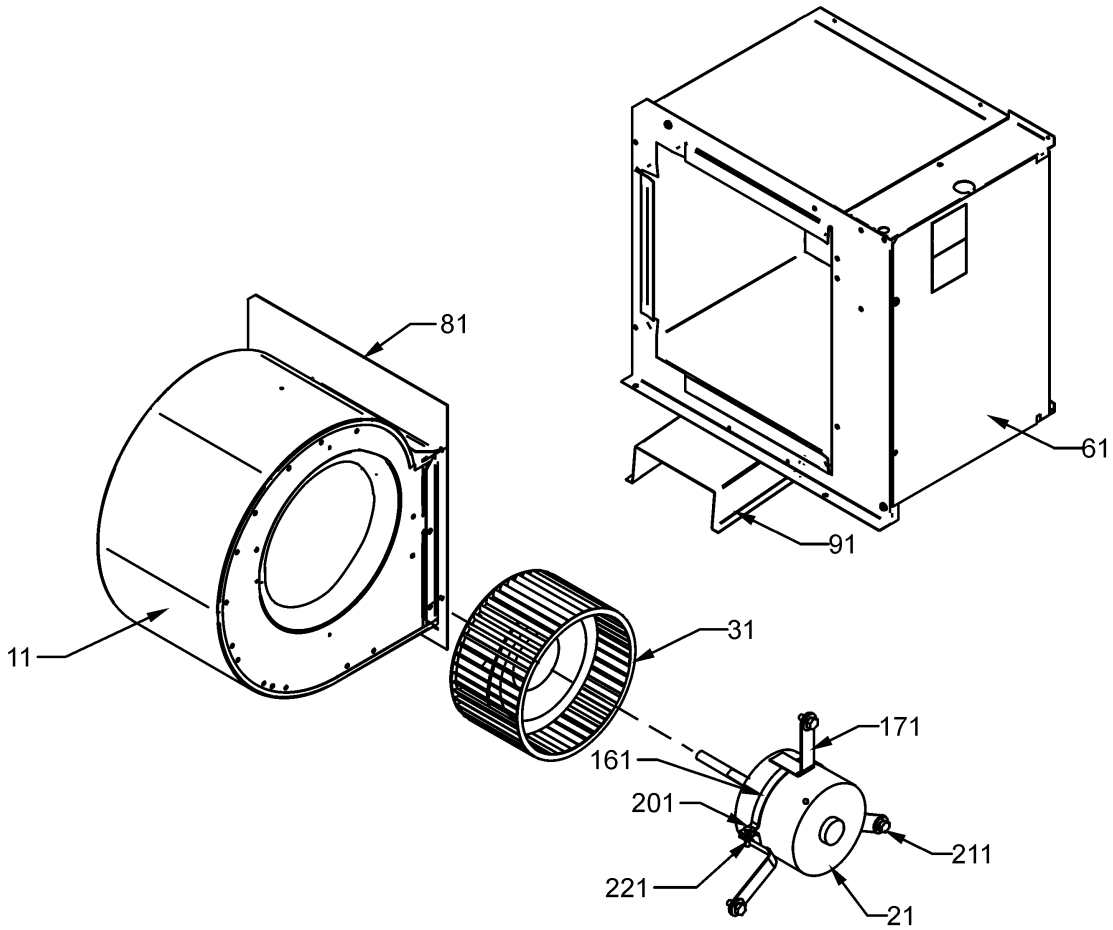
Expanded Model Nomenclature

M1 - DP14HH2441AE

M2 - DP14HH3041AE

M3 - DP14HH3641AE

Blower Assembly



Blower Assembly

Ref. Part No:	No:	Description:	Ref. Part No:	No:	Description:
---------------	-----	--------------	---------------	-----	--------------

Image 1:

11	10324248	HSG WELD- 10X8 BWR
21	0131M00750M	CONTROLLERLESS MOTOR
21	0131M00597	PROGRAMMED CONTROLLER (M3)
21	0131M00599	PROGRAMMED CONTROLLER (M1)
21	0131M00601	PROGRAMMED CONTROLLER (M2)
31	B1368016	BLOWER WHEEL 10 X 8
61	0121G00726	PL, HK COVER
81	0121G00035P	BLOWER MOUNT 10 X 8
91	0121G00040P	BLOWER SUPPORT
161	0121M00038	MOTOR MOUNT BAND
171	B1376853	MOTOR MOUNT ARM (QTY 3)
201	B1393323	MACHINE SCREW HWH 1/4-20 X 1-1/2 BZ
211	M0250565	TC SCREW 1.25" (QTY 3)
221	B1393800	LOCKNUT, NYLON, INSERT 1/4, 20
NS	C6121810	BLOWER CUT-OFF

Expanded Model Nomenclature

M1 - DP14HH2441AE
M2 - DP14HH3041AE
M3 - DP14HH3641AE