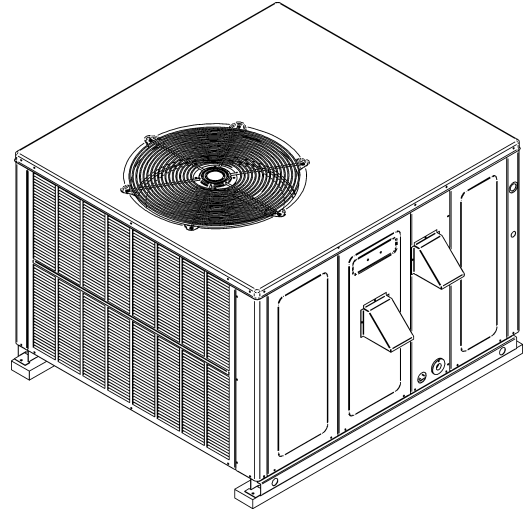


## DP14GM 3-Phase Multi-Position Residential Package Gas Unit

DP14GM3608043AA  
DP14GM3608043AB  
DP14GM4808043AA  
DP14GM4808043AB  
DP14GM6108043AA  
DP14GM6112043AA



This manual is to be used by qualified technicians only.

This manual replaces RP-D3025

# Important Information

---

## Index

Functional Parts List .....	3
Illustration and Parts .....	4 - 13

*Views shown are for parts illustrations only, not servicing procedures.*

### Text Codes:

AR - As Required

NA - Not Available

NS - Not Shown

00000000 - See Note

QTY - Quantity Example (QTY 3) (If Quantity not shown, Quantity = 1)

M - Model Example (M1) (If M Code not shown, then part is used on all Models)

### Expanded Model Nomenclature:

Example
M1 - Model#1
M2 - Model#2
M3 - Model#3

Daikin Manufacturing Company, L.P. is not responsible for personal injury or property damage resulting from improper service. Review all service information before beginning repairs.

Warranty service must be performed by an authorized technician, using authorized factory parts. If service is required after the warranty expires, Daikin Manufacturing Company, L.P. also recommends contacting an authorized technician and using authorized factory parts.

Daikin Manufacturing Company, L.P. reserves the right to discontinue, or change at any time, specifications or designs without notice or without incurring obligations.

For assistance within the U.S.A. contact:

Homeowner Support  
Daikin North America, LLC  
19001 Kermier Road  
Waller, Texas 77484  
855-770-5678-Telephone  
713-863-2382-Facsimile

For assistance outside the U.S.A. contact:

International Division  
Daikin North America, LLC  
19001 Kermier Road  
Waller, Texas 77484  
713-861-2500-Telephone  
713-863-2382-Facsimile

# Functional Parts

## Part

## No: Description:

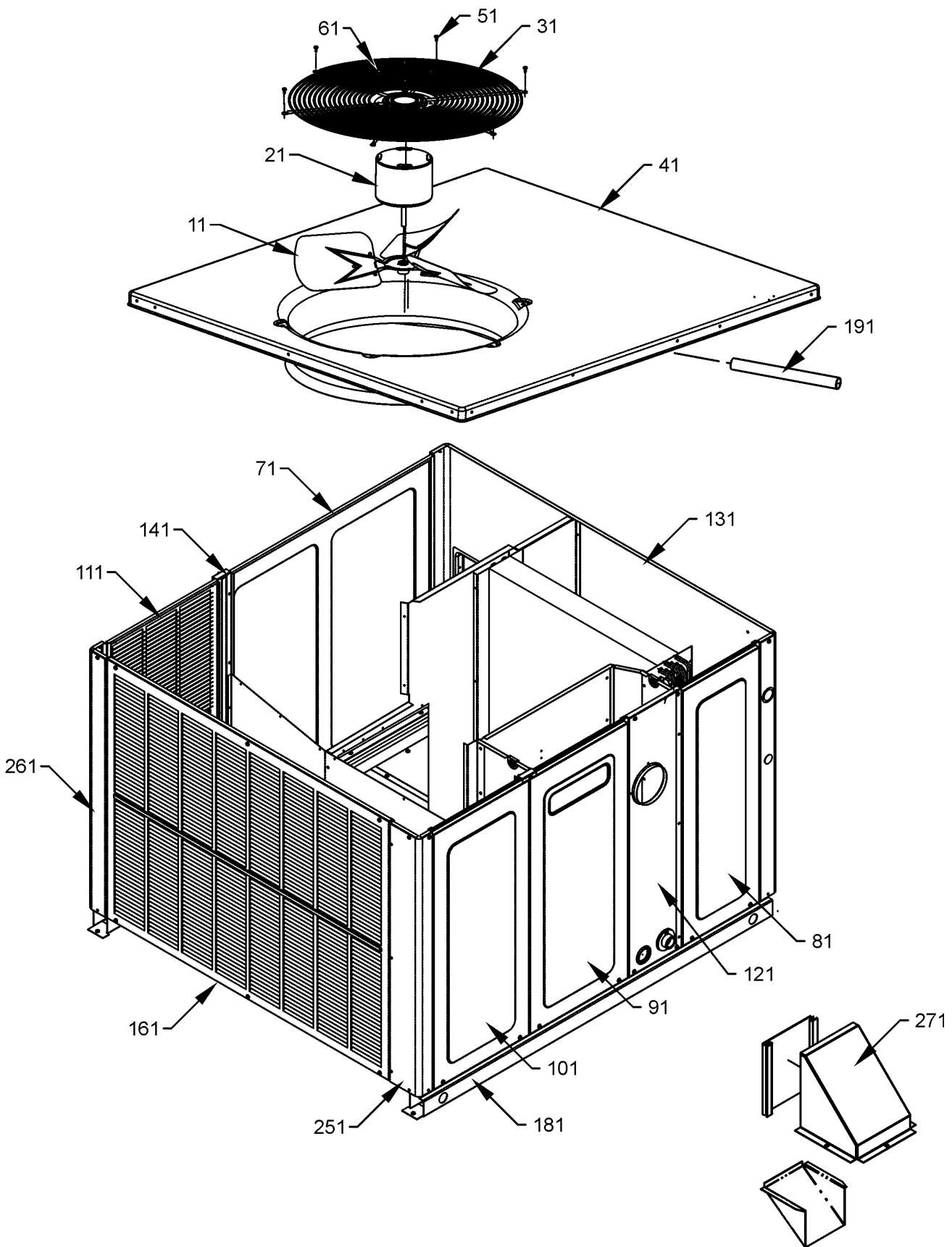
---

B1370751	24V RELAY (M1, M2, M3, M4)
0163F00017	BECKETT BURNER (QTY 4)
D6723303	BLOWER WHEEL (M1, M2)
B1368000	BLOWER WHEEL 11 X 10 (M3, M4, M5, M6)
CAP100000370LA	CAPACITOR 10/370V (M5, M6)
CAP050000370LA	CAPACITOR 5/370V (M1, M2, M3, M4)
ZPS49K5ETF5130	COMP, 49000/208/230/60/3 2 ST (M5, M6)
ZP29K5ETF5130	COMP.29000.208/230/60/3 (M1, M2)
ZP39K5ETF5130	COMPRESSOR 39000, 200/230/60/3 (M3, M4)
CONT3P025024V	CONTACTOR 25 AMP, 3P, 24V (M1, M2)
CONT3P030024V	CONTACTOR 30 AMP, 3P, 24V (M3, M4)
CONT3P040024V	CONTACTOR 40 AMP, 3P, 24V (M5, M6)
0131M00750M	CONTROLLERLESS MOTOR (M1, M2)
0131M00749M	CONTROLLERLESS MOTOR (M5, M6)
0131M00747M	CONTROLLERLESS MOTOR (M3, M4)
0150G00003	FAN BLADE SWEPT-WING (M3, M4, M5, M6)
0150G00002	FAN BLADE SWEPT-WING (M1, M2)
0130F00010	FLAME SENSOR
0151F00000P	GAS VALVE - WHITE-RODGERS 2-STAGE (M5, M6)
B1282628	GAS VALVE (36G) (M1, M3)
0130M00074	HIGH PRESSURE SWITCH
PCBAG123	IGNITION BOARD, DSI INTEGRATED (M1, M2, M3, M4)
PCBAG127	IGNITION BOARD, DSI, 2 STG (M5, M6)
0130F00014	IGNITOR
10728342	LIMIT SWITCH (M1, M2)
10728343	LIMIT SWITCH (M5, M6)
10728344	LIMIT SWITCH (M3, M4)
10123532	LIMIT-RESET MAN-GRAY (M1, M2, M3, M4)
10123529	LIMIT-RESET MAN-GREEN (M5, M6)
0130M00087	LOW PRESSURE SWITCH (M5, M6)
0131M00430	MOTOR, 1/3 HP, 1 SP, 6 PL (M5, M6)
0131M00847	MOTOR, 1/4 HP, 1 SP, 6 PL (M3, M4)
0131M00836	MOTOR, 1/4HP,1SP,8PL,AL (M1, M2)
0131G00001	MOTOR, ID BLOWER (M5, M6)
0131G00000P	MOTOR, ID BLOWER (M1, M2, M3, M4)
11112501	PRESSURE SWITCH
0131G00018	PROGRAMMED CONTROLLER (M1, M2)
0131G00020	PROGRAMMED CONTROLLER (M3, M4)
0131G00021	PROGRAMMED CONTROLLER (M5)
0131G00056	PROGRAMMED CONTROLLER (M6)
0130M00138	TRANSFORMER, 208/230, 24V
0151M00075	VALVE-TXV R410A (M5, M6)

### Expanded Model Nomenclature

M1 - DP14GM3608043AA
M2 - DP14GM3608043AB
M3 - DP14GM4808043AA
M4 - DP14GM4808043AB
M5 - DP14GM6108043AA
M6 - DP14GM6112043AA

# Top Panel and Cabinet Assembly



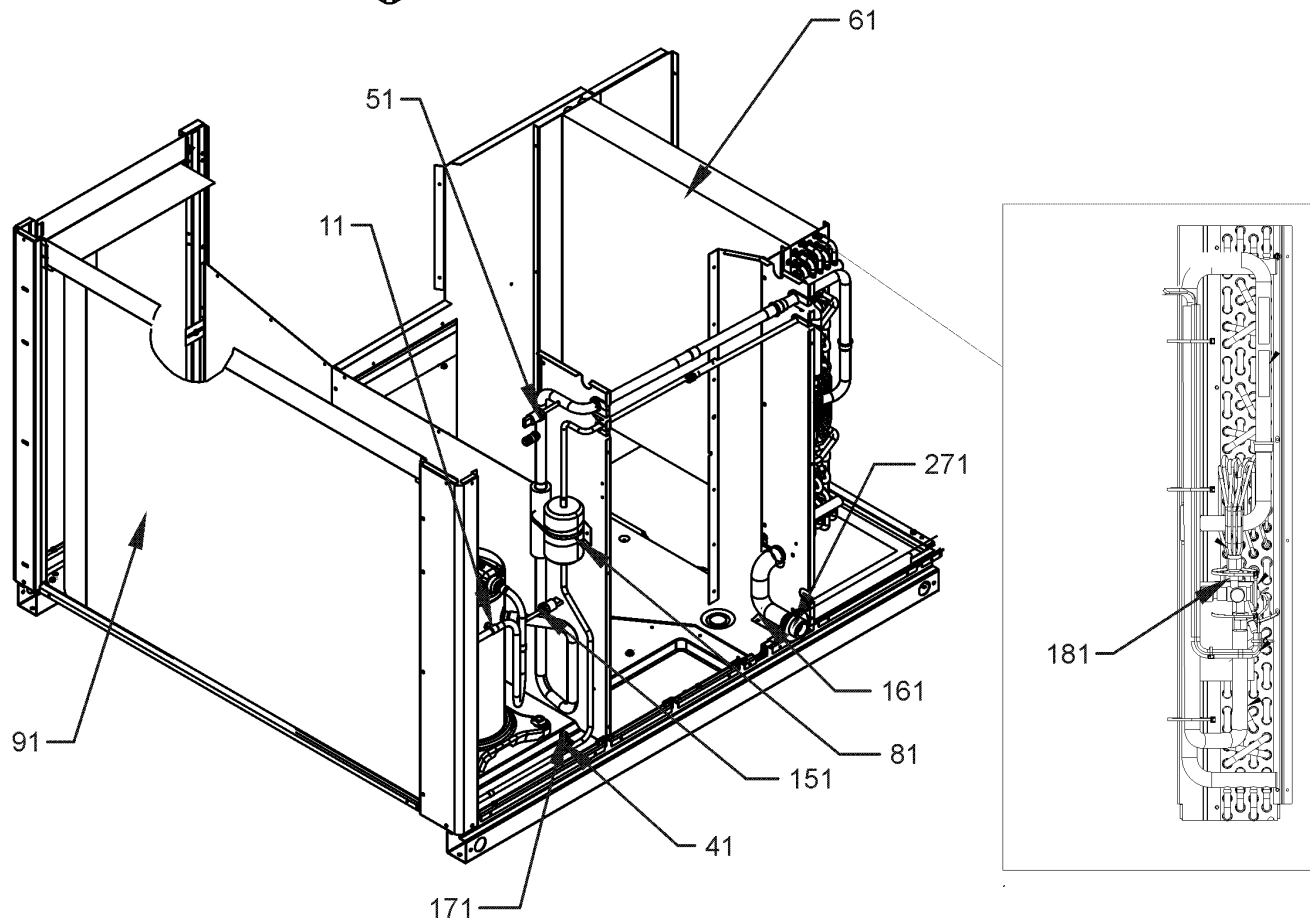
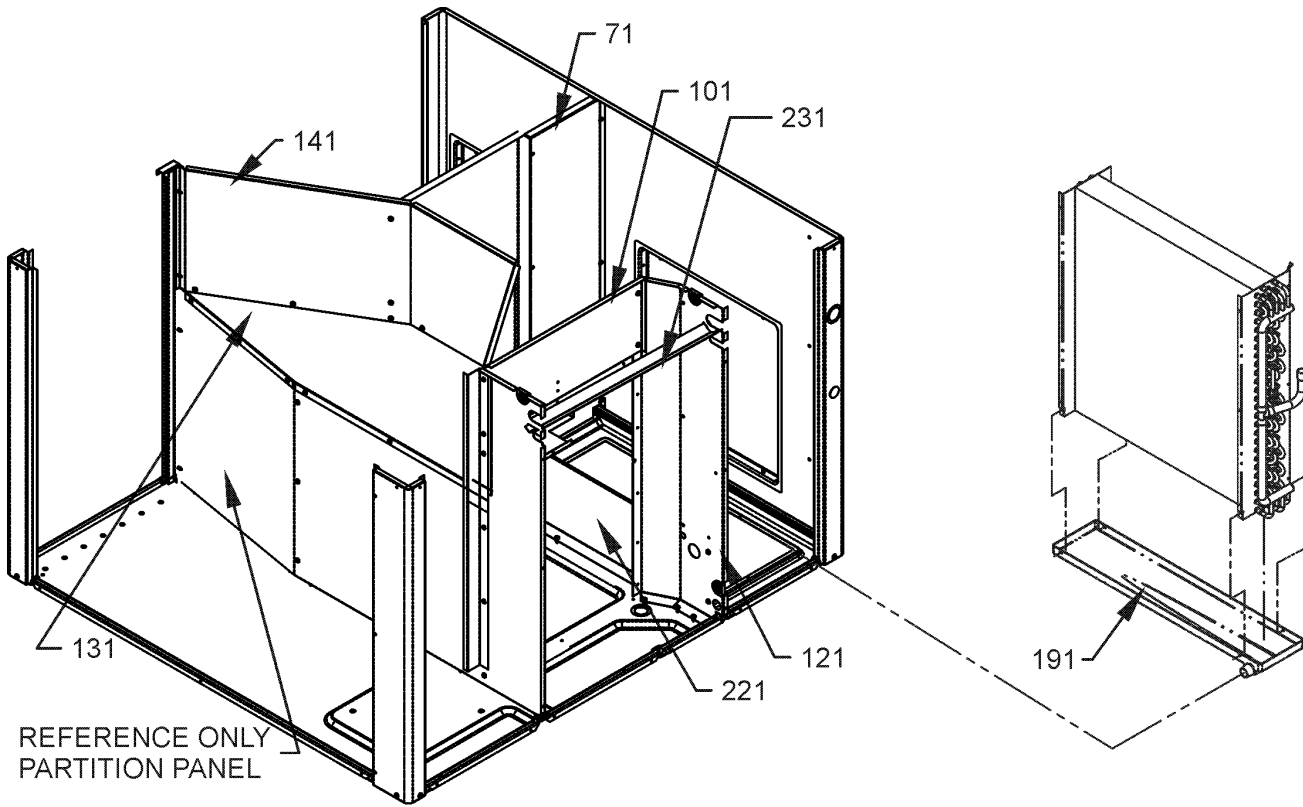
# Top Panel and Cabinet Assembly

Ref. Part No:	Ref. Part No:	Description:	Description:
<b>Image 1:</b>			
11	0150G00002	FAN BLADE SWEPT-WING (M1, M2)	
11	0150G00003	FAN BLADE SWEPT-WING (M3, M4, M5, M6)	
21	0131M00430	MOTOR, 1/3 HP, 1 SP, 6 PL (M5, M6)	
21	0131M00847	MOTOR, 1/4 HP, 1 SP, 6 PL (M3, M4)	
21	0131M00836	MOTOR, 1/4HP,1SP,8PL,AL (M1, M2)	
31	0152G00003	GRILLE-FAN	
41	0121G00156NG	TOP PANEL	
51	M0221817	SMALL SCREW (QTY 9)	
61	0163M00006P	ACORN NUT 5/16 HEX BLACK (QTY 4)	
71	20464801NG	BLOWER DOOR 32" (M1, M2)	
71	20464806NG	BLOWER DOOR 40" (M3, M4, M5, M6)	
81	20464802NG	EVAP/CONTROL DOOR-32 (M1, M2)	
81	20464807NG	EVAP/CONTROL DOOR-40 (M3, M4, M5, M6)	
91	0121G00526NG	HEAT EXCHANGER DOOR 32" (M1, M2)	
91	0121G00527NG	HEAT EXCHANGER DOOR 40" (M3, M4, M5, M6)	
101	20464804NG	COMPRESSOR DOOR-32 (M1, M2)	
101	20464809NG	COMPRESSOR DOOR-38 (M3, M4, M5, M6)	
111	0121G00465NG	COND SIDE PANEL- 32 (M1, M2)	
111	20467702NG	COND SIDE PANEL-38 (M3, M4, M5, M6)	
121	20466101NG	UTILITY PANEL 32" (M1, M2)	
121	20466102NG	UTILITY PANEL 40" (M3, M4, M5, M6)	
131	0121G00802NG	PANEL, DUCT, 32.5" (M1, M2)	
131	0121G00803NG	PANEL, DUCT, 40" (M3, M4, M5, M6)	
141	0121G00460	POST-SUPPORT, SIDE (M1, M2)	
141	0121G00615	POST-SUPPORT, SIDE 40 (M3, M4, M5, M6)	
161	0121G00728NG	PANEL-COND LOUVERED 32 (M1, M2)	
161	0121G00729NG	PANEL-COND LOUVERED 40 (M3, M4, M5, M6)	
181	0121G00290	RAIL, BASEPAN, PKG (QTY 2)	
191	B1778800	CONDUIT-1/2" PVC	
251	20464202NG	CORNER POST-COMP END 40" (M3, M4)	
251	0121G00453NG	CORNER-POST COMP END, PNT (M1, M2)	
251	0121G00455NG	CORNER-POST COMP END, PNT (M5, M6)	
261	0121G00454NG	CORNER-POST HPIN END, PNT (M1, M2)	
261	0121G00456NG	CORNER-POST HPIN END, PNT (M3, M4, M5, M6)	
271	0270G00500	FLUE HOOD ASSY	
NS	B1392011	GROMMET / HS .62 - .45	

## Expanded Model Nomenclature

M1 - DP14GM3608043AA
M2 - DP14GM3608043AB
M3 - DP14GM4808043AA
M4 - DP14GM4808043AB
M5 - DP14GM6108043AA
M6 - DP14GM6112043AA

# Partition and Tubing Assembly



# Partition and Tubing Assembly

Ref. Part No:	Part No:	Description:	Ref. Part No:	Part No:	Description:
---------------	----------	--------------	---------------	----------	--------------

**Image 1:**

11	ZPS49K5ETF5130	COMP, 49000/208/230/60/3 2 ST (M5, M6)
11	ZP29K5ETF5130	COMP.29000.208/230/60/3 (M1, M2)
11	ZP39K5ETF5130	COMPRESSOR 39000, 200/230/60/3 (M3, M4)
41	B1373315	ACCESS FITTING (QTY 2)
51	0130M00087	LOW PRESSURE SWITCH (M5, M6)
61	0202G00567	COIL TUBING ASSY (M1, M2)
61	0202G00685	COIL TUBING ASSY (M3, M4)
61	0202G00722	COIL TUBING ASSY (M5, M6)
71	20465302	BLOWER DIVIDER (M3, M4, M5, M6)
71	20465304	BLOWER DIVIDER (M1, M2)
81	0162G00007	SINGLE-FLOW FILTER DRIER,STL (M3, M4, M5, M6)
81	0162G00008	SINGLE-FLOW FILTER DRIER,STL (M1, M2)
91	0201G00249	CONDENSER COIL ASSY (M1, M2)
91	0201G00369	CONDENSER COIL ASSY (M5, M6)
91	0201G00463	CONDENSER COIL ASSY (M3, M4)
101	0121G00894	PANEL FILLER HT EXCH 32 (M1, M2)
101	0121G00895	PANEL FILLER HT EXCH 40 (M3, M4, M5, M6)
121	0121G00757	DIVIDER, EVAP/HT EXCH 32 (M1, M2)
121	0121G00758	DIVIDER, EVAP/HT EXCH 38 (M3, M4, M5, M6)
131	20465701	FAN PARTITION SHELF
141	20465801	FAN SURROUND 32" (M1, M2)
141	20465802	FAN SURROUND 40" (M3, M4, M5, M6)
151	0130M00074	HIGH PRESSURE SWITCH
161	20498302	DRAIN TUBE 32" (M1, M2)
161	20498301	DRAIN TUBE 40" (M3, M4, M5, M6)
171	0163M00175	CAP WITH O-RING (QTY 2)
181	0151M00075	VALVE-TXV R410A (M5, M6)
191	20464901DF	DRAIN PAN-EVAP COIL
221	20463802	BLOCK-EVAP/BPAN 32 (M1, M2)
221	20463801	BLOCK-EVAP/BPAN 40 (M3, M4, M5, M6)
231	0121G00555	DRAIN CHANNEL, SUCTION TUBE
271	20513001	EVAP DRAIN FITTING
NS	B1339533	COMPRESSOR GROMMET (QTY 4)
NS	0159G00001	COMPRESSOR SOLENOID CABLE (M5, M6)
NS	0159G00007	HARNESS-COMP SCROLL
NS	B1810011	HOSE CLAMP 1.25 (QTY 2)
NS	M0221641	SCREW-SHOULDER TF (QTY 4)
NS	M0221641	TF SHOULDER SCREW (QTY 4)

**Expanded Model Nomenclature**

M1 - DP14GM3608043AA
M2 - DP14GM3608043AB
M3 - DP14GM4808043AA
M4 - DP14GM4808043AB
M5 - DP14GM6108043AA
M6 - DP14GM6112043AA

# Base Pan and Blower Assembly

IMAGE 1

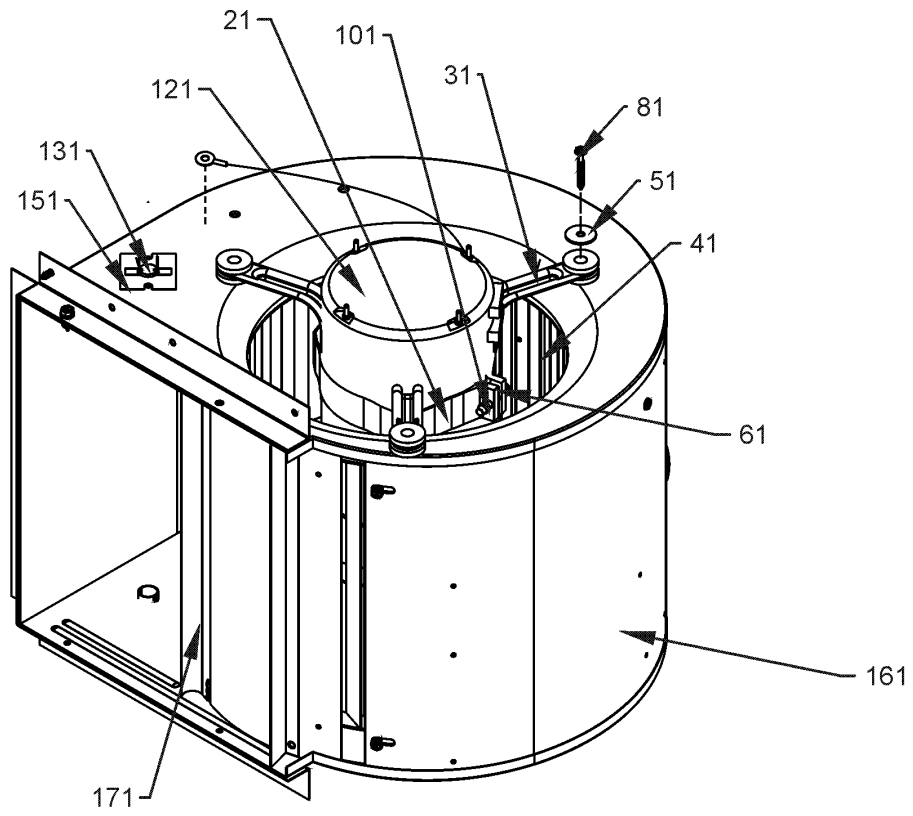
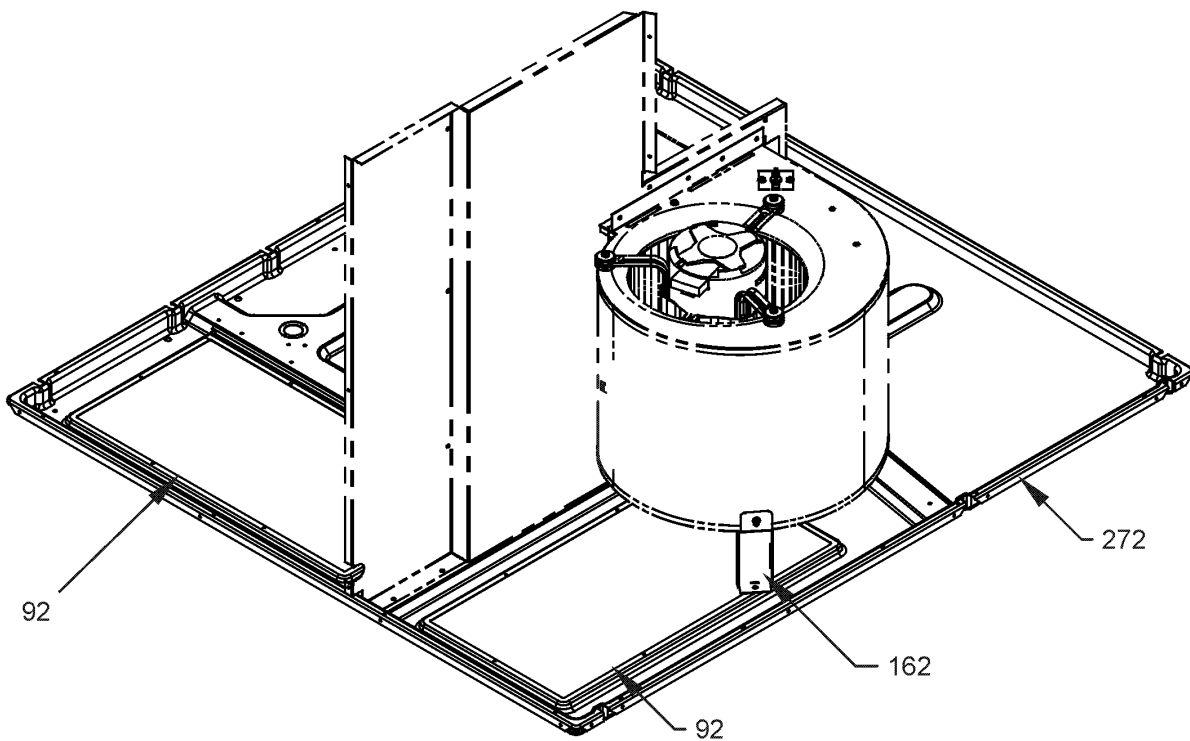


IMAGE 2



# Base Pan and Blower Assembly

Ref. Part No:	Part No:	Description:	Ref. Part No:	Part No:	Description:
---------------	----------	--------------	---------------	----------	--------------

**Image 1:**

21	0121M00038	MOTOR MOUNT BAND			
31	B1376857	MOTOR MOUNT ARM (QTY 3)			
41	D6723303	BLOWER WHEEL (M1, M2)			
41	B1368000	BLOWER WHEEL 11 X 10 (M3, M4, M5, M6)			
51	B1392918	WASHER FLAT 1/4 ID X 1 OD (QTY 3)			
61	B1393323	SCREW,MACHI HWH 1/4-20X1 1/2 BZ			
81	M0250565	TC SCREW 1.25" (QTY 3)			
101	B1393800	LOCKNUT, NYLON, INSERT 1/4, 20			
121	0131M00747M	CONTROLLERLESS MOTOR (M3, M4)			
121	0131M00749M	CONTROLLERLESS MOTOR (M5, M6)			
121	0131M00750M	CONTROLLERLESS MOTOR (M1, M2)			
121	0131G00018	PROGRAMMED CONTROLLER (M1, M2)			
121	0131G00020	PROGRAMMED CONTROLLER (M3, M4)			
121	0131G00021	PROGRAMMED CONTROLLER (M5)			
121	0131G00056	PROGRAMMED CONTROLLER (M6)			
131	20269903	LIMIT			
151	2509503	BRACKET F/ROLLOUT SWUT SWITCH			
161	0271G00024	BLOWER HOUSING ASSY 10 X 9 (M1, M2)			
161	2539309	BLOWER HOUSING ASSY 11 X 10 (M3, M4, M5, M6)			
171	764742	BLOWER BLOCK-OFF (M1, M2)			
171	1864703	BLOWER CUT-OFF ASM,5TON,MORRIS (M3, M4, M5, M6)			
NS	0259G00209	BLOWER-HARNESS, SM (M1, M2)			
NS	0259G00023	HARNESS, BLOWER (M3, M4)			
NS	20463701	MTG-BLOWER U 11X10 (M3, M4, M5, M6)			

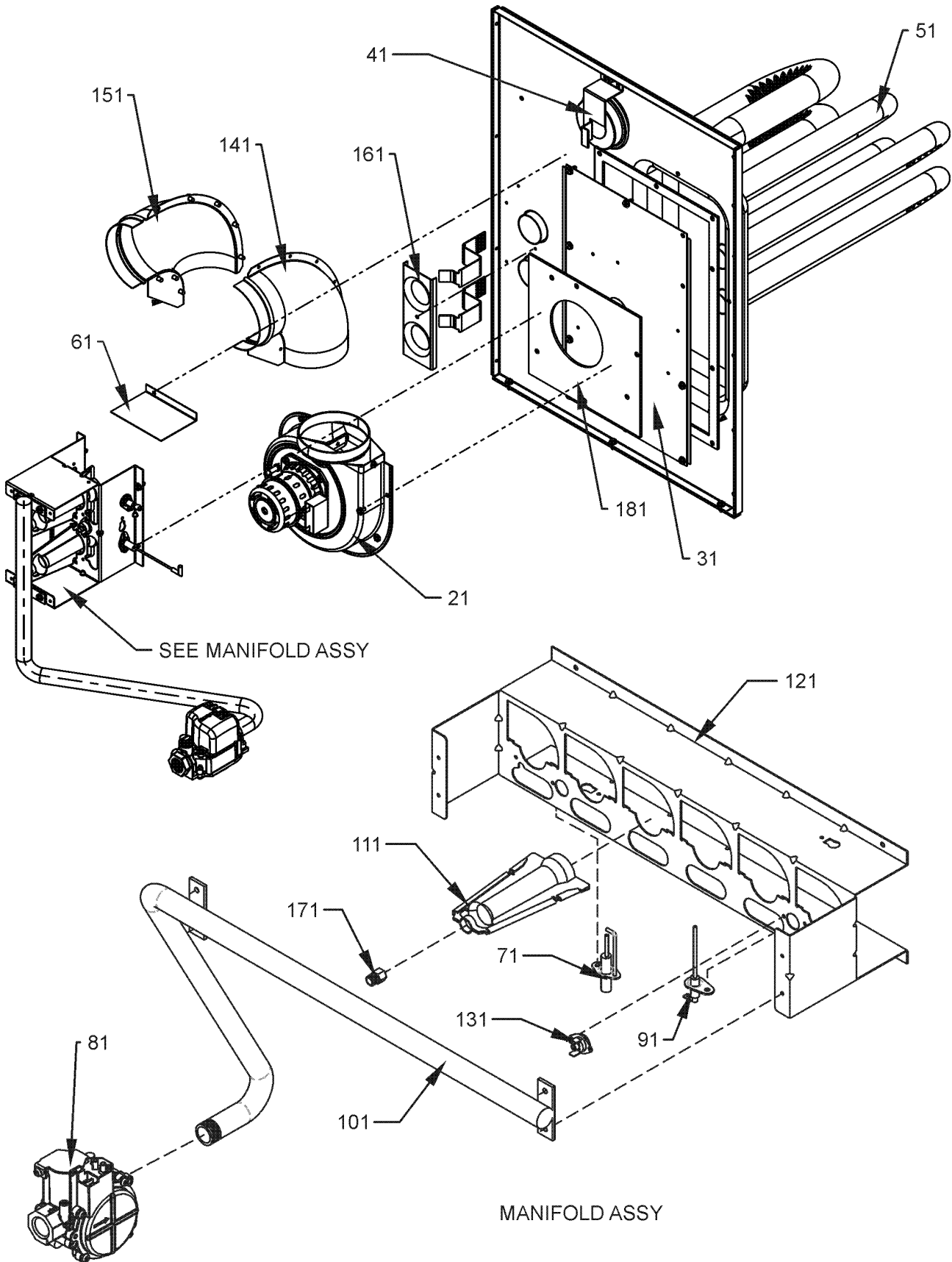
**Image 2:**

92	0121G00148	SINGLE COVER, DOWN DISCHARGE (QTY 2)			
162	4322801	11X10 BLOWER SUPPORT LARGE (M3, M4, M5, M6)			
272	0121G00444	BASEPAN, PACKAGE			

**Expanded Model Nomenclature**

M1 - DP14GM3608043AA
M2 - DP14GM3608043AB
M3 - DP14GM4808043AA
M4 - DP14GM4808043AB
M5 - DP14GM6108043AA
M6 - DP14GM6112043AA

# Heat Exchanger Assembly



# Heat Exchanger Assembly

Ref. Part No:	Part No:	Description:	Ref. Part No:	Part No:	Description:
---------------	----------	--------------	---------------	----------	--------------

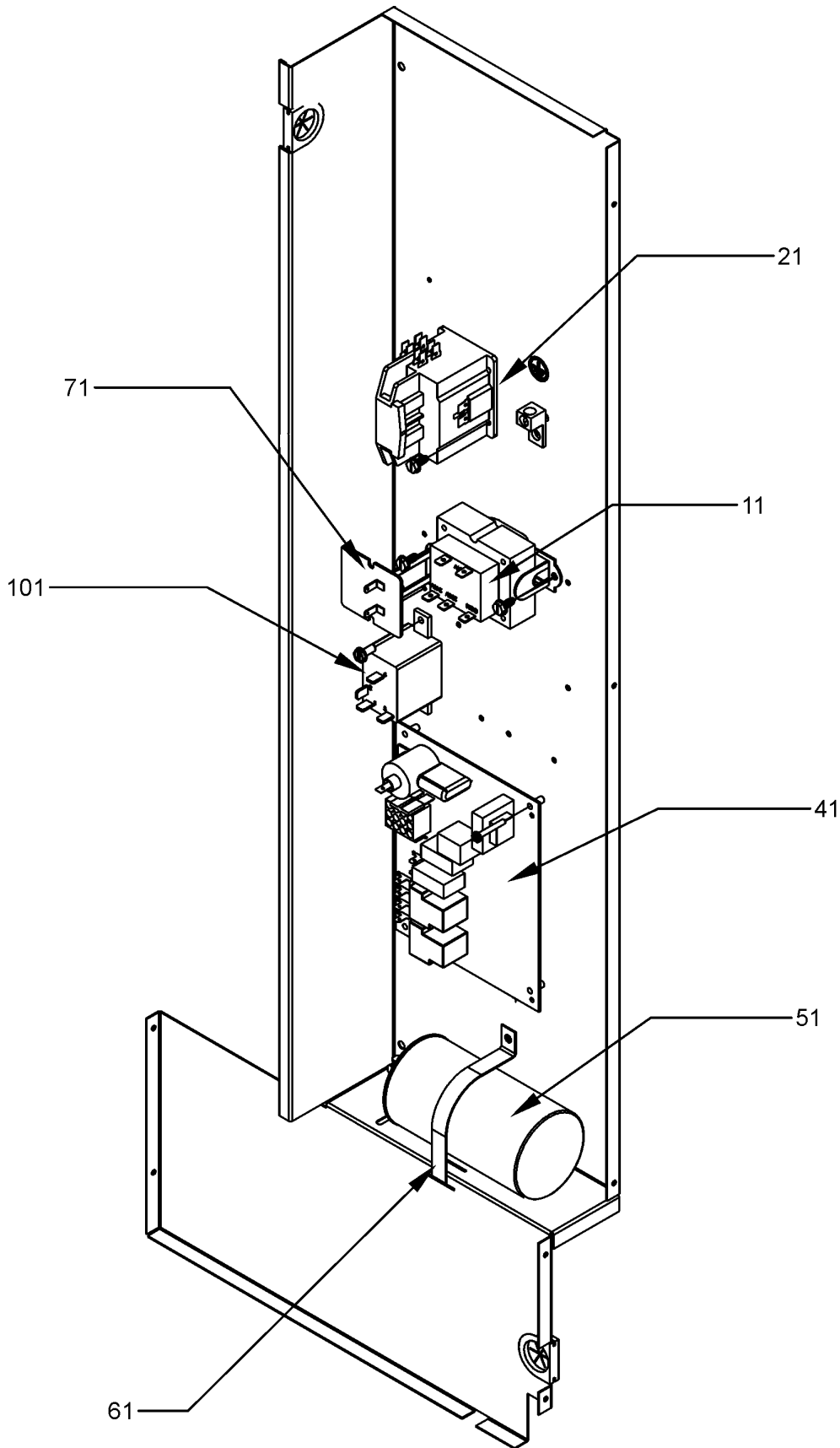
**Image 1:**

21	0131G00000P	MOTOR, ID BLOWER (M1, M2, M3, M4)
21	0131G00001	MOTOR, ID BLOWER (M5, M6)
31	0121G00741	PLATE-ID BLOWER (M1, M2)
31	0121G00745	PLATE-ID BLOWER (M3, M4, M5)
31	0121G00746	PLATE-ID BLOWER (M6)
41	11112501	PRESSURE SWITCH
51	20490718	PART/TUBE ASSY (M6)
51	20490711	PART/TUBE ASSY 4B (M1, M2)
51	20490712	PART/TUBE ASSY 4B (M3, M4, M5)
61	11190202	DEFLECTOR- HEAT PKG
71	0130F00014	IGNITOR
81	0151F00000P	GAS VALVE - WHITE-RODGERS 2-STAGE (M5, M6)
81	B1282628	GAS VALVE (36G) (M1, M3)
91	0130F00010	FLAME SENSOR
101	20493104	MANIFOLD- 4 BRNR 32 (M1, M2)
101	20493105	MANIFOLD- 4 BRNR 38 (M3, M4, M5)
101	20493107	MANIFOLD- 6 BRNR 38 (M6)
111	0163F00017	BECKETT BURNER (QTY 4)
121	20190412	BURNER BRACKET 4B (M1, M2, M3, M4, M5)
121	0121G00886	BURNER BRACKET, 6 (M6)
131	10123532	LIMIT-RESET MAN-GRAY (M1, M2, M3, M4)
131	10123529	LIMIT-RESET MAN-GREEN (M5, M6)
141	20484401	FLUE ELBOW LEFT
151	20484402	FLUE ELBOW RIGHT
161	11072203	ORIFICE SHIELD (M1, M2, M3, M4, M5)
161	11072205	ORIFICE SHIELD (M6)
171	10716005	ORIFICE (QTY 4)
181	0154G00020	GASKET-ID BLOWER & PLATE (M1, M2)
181	0154G00021	GASKET-ID BLOWER & PLATE (M3, M4, M5, M6)

**Expanded Model Nomenclature**

- |                      |
|----------------------|
| M1 - DP14GM3608043AA |
| M2 - DP14GM3608043AB |
| M3 - DP14GM4808043AA |
| M4 - DP14GM4808043AB |
| M5 - DP14GM6108043AA |
| M6 - DP14GM6112043AA |

# Control Panel Assembly



# Control Panel Assembly

Ref. Part No:	Part No:	Description:	Ref. Part No:	Part No:	Description:
---------------	----------	--------------	---------------	----------	--------------

**Image 1:**

11	0130M00138	TRANSFORMER, 208/230, 24V			
21	CONT3P025024V	CONTACTOR 25 AMP, 3P, 24V (M1, M2)			
21	CONT3P030024V	CONTACTOR 30 AMP, 3P, 24V (M3, M4)			
21	CONT3P040024V	CONTACTOR 40 AMP, 3P, 24V (M5, M6)			
41	PCBAG123	IGNITION BOARD, DSI INTEGRATED (M1, M2, M3, M4)			
41	PCBAG127	IGNITION BOARD, DSI, 2 STG (M5, M6)			
51	CAP100000370LA	CAPACITOR 10/370V (M5, M6)			
51	CAP050000370LA	CAPACITOR 5/370V (M1, M2, M3, M4)			
61	20520901	CAPACITOR STRAP			
71	10728342	LIMIT SWITCH (M1, M2)			
71	10728343	LIMIT SWITCH (M5, M6)			
71	10728344	LIMIT SWITCH (M3, M4)			
101	B1370751	24V RELAY (M1, M2, M3, M4)			
NS	0259G00214	ECONOMIZER HARNESS (M3, M4)			
NS	0259G00083	HARNESS-CONTROL, FAN (M3, M4)			
NS	0259G00117	HARNESS-CONTROL, FAN (M5, M6)			
NS	0259G00113	PLUG ASSY, 12 PIN MALE (M3, M4)			
NS	0259G00192	WIRE HARNESS - 6 CIRCUIT (M5, M6)			
NS	0259G00230	WIRE HARNESS-9 CIRCUIT (M5, M6)			
NS	0259G00231	WIRE HARNESS-ECONOMIZER (M5, M6)			
NS	0259G00238	WIRE HARNESS-ECONOMIZER (M1, M2)			

**Expanded Model Nomenclature**

- |                      |
|----------------------|
| M1 - DP14GM3608043AA |
| M2 - DP14GM3608043AB |
| M3 - DP14GM4808043AA |
| M4 - DP14GM4808043AB |
| M5 - DP14GM6108043AA |
| M6 - DP14GM6112043AA |