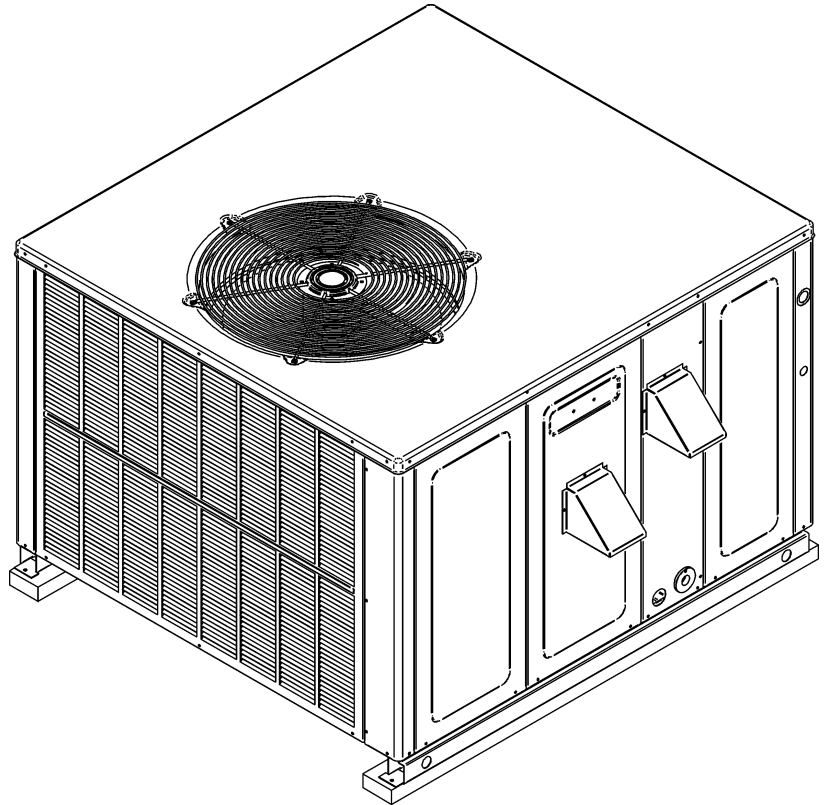


**DP14GM 3-Phase Multi-Position
Residential Package Gas Unit [EXPORT]**

DP14GM601204EAA



This manual is to be used by qualified technicians only.

Important Information

Index

Functional Parts List	3
Illustration and Parts	4 - 13

Views shown are for parts illustrations only, not servicing procedures

Text Codes:

AR - As Required

NA - Not Available

NS - Not Shown

00000000 - See Note

QTY - Quantity Example (QTY 3) (If Quantity not shown, Quantity = 1)

M - Model Example (M1) (If M Code not shown, then part is used on all Models)

Expanded Model Nomenclature:

Example M1 - Model#1 M2 - Model#2 M3 - Model#3

Daikin Company, L.P. is not responsible for personal injury or property damage resulting from improper service. Review all service information before beginning repairs.

Warranty service must be performed by an authorized technician, using authorized factory parts. If service is required after the warranty expires, Daikin Company, L.P. also recommends contacting an authorized technician and using authorized factory parts.

Daikin Company, L.P. reserves the right to discontinue, or change at any time, specifications or designs without notice or without incurring obligations.

For assistance within the U.S.A. contact:

Homeowner Support
Daikin North America, LLC
19001 Kermier Road
Waller, Texas 77484
855-770-5678-Telephone
713-863-2382-Facsimile

For assistance outside the U.S.A. contact:

International Division
Daikin North America, LLC
19001 Kermier Road
Waller, Texas 77484
713-861-2500-Telephone
713-863-2382-Facsimile

Functional Parts

Part

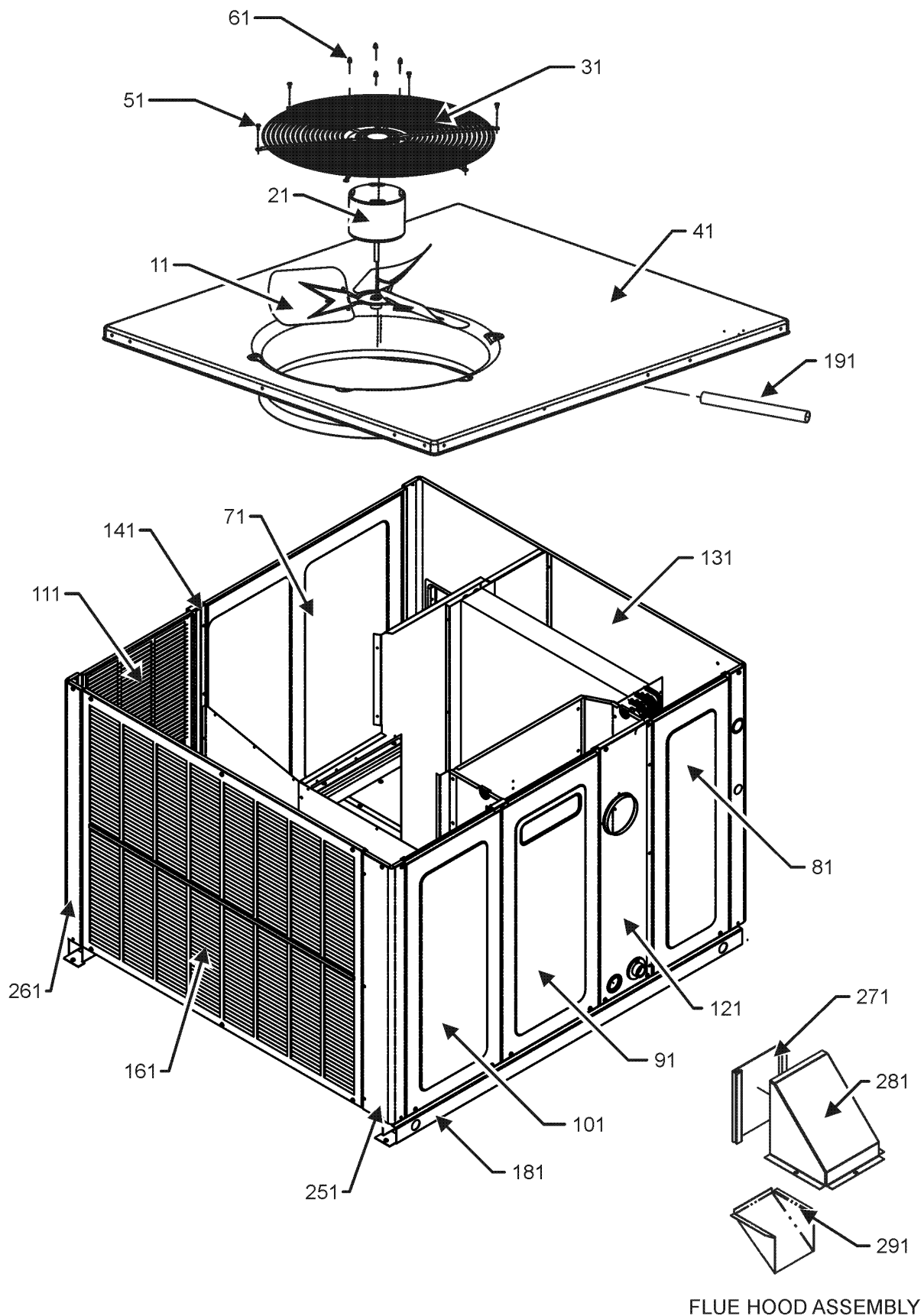
No: Description:

0163F00017	BECKETT BURNER (QTY 6)
B1368000	BLOWER WHEEL 11 X 10
0131G00090	BLOWER-ID, 50HZ
CAP075000370LA	CAPACITOR 7.5/370V
ZP61KCETFD130	COMPRESSOR 61500, 460/60/3
0131M00642	COND MOTOR 1/3 HP, 460V, 60 CYCLE
CONT3P040024V	CONTACTOR 40 AMP, 3P, 24V
0130M00074	CUT-OUT SWITCH, HIGH PRESSURE
0130M00087	CUT-OUT SWITCH, LOW PRESSURE
10625733	FAN BLADE 22" ALUM CCW
0130F00010	FLAME SENSOR
0151F00000P	GAS VALVE - WHITE-RODGERS 2-STAGE
PCBAG127	IGNITION BOARD, DSI, 2 STG
0130F00014	IGNITOR
10728343	LIMIT SWITCH
10123529	MANUAL RESET LIMIT-GREEN
11112501	PRESSURE SWITCH
0131M00758	PROGRAMMED MOTOR
0130M00081	TRANSFORMER, 380/415V-24V,75VA
0130M00080	TRANSFORMER, 380/420V-230V, 150VA

Expanded Model Nomenclature

M1 - DP14GM601204EAA

Top Panel and Cabinet Assembly



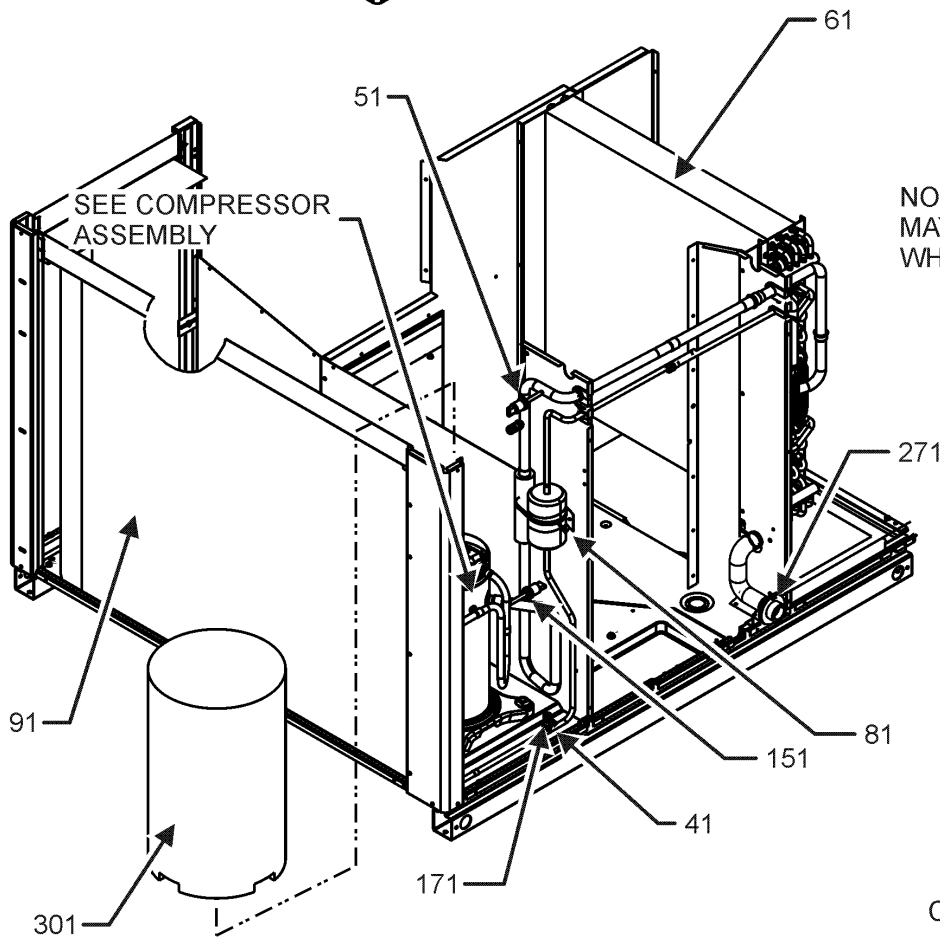
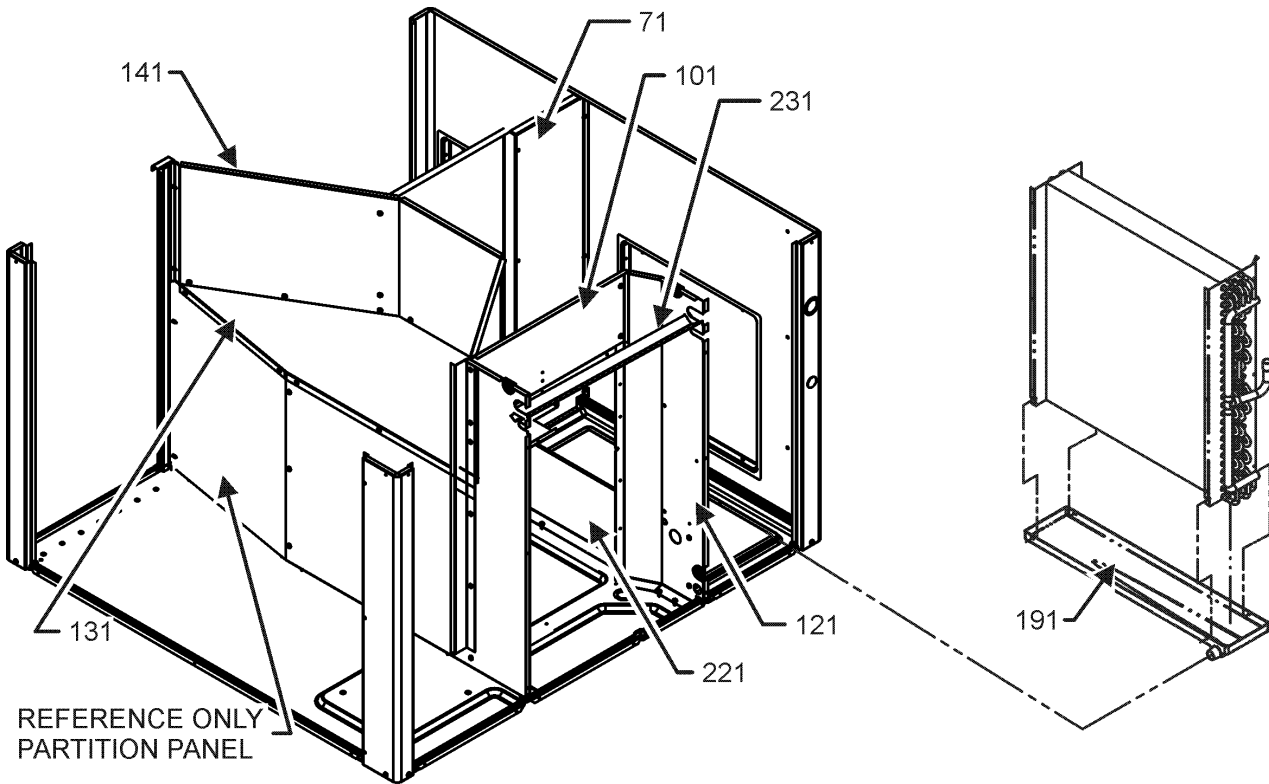
Top Panel and Cabinet Assembly

Ref. Part No: No:	Description:	Ref. Part No: No:	Description:
Image 1:			
11	10625733		FAN BLADE 22" ALUM CCW
21	0131M00642		COND MOTOR 1/3 HP, 460V, 60 CYCLE
31	0152G00003		FAN GRILLE
41	0121G00156NG		TOP PANEL
51	M0221817		SMALL SCREW (QTY 6)
61	0163M00006P		ACORN NUT 5/16 HEX BLACK (QTY 4)
71	20464806NG		BLOWER DOOR 40"
81	20464807NG		EVAP/CONTROL DOOR-40
91	0121G00527NG		HEAT EXCHANGER DOOR 40"
101	20464809NG		COMPRESSOR DOOR 40
111	20467702NG		COND SIDE PANEL 40
121	20466102NG		UTILITY PANEL 40"
131	0121G00674NG		PNL, DUCT, GAS 40"
141	0121G00615		POST-SUPPORT, SIDE 40
161	0121G00729NG		PANEL-COND LOUVERED 40
181	0121G00290		BASE PAN RAIL (QTY 2)
191	17788000083F		PVC CONDUIT 8.25"
251	0121G00455NG		CORNER-POST COMP END, PNT
261	0121G00456NG		CORNER-POST HPIN END, PNT
271	20472601		SCREEN-FLUE HOOD
281	0121G00323		FLUE HOOD
291	0121G00190		FLUE HOOD-LOWER

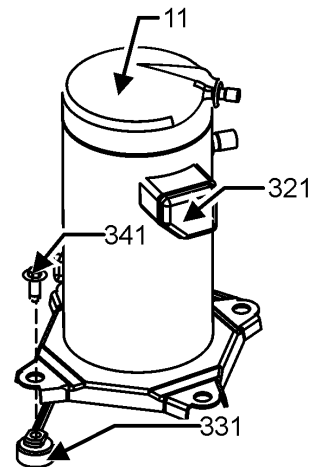
Expanded Model Nomenclature

M1 - DP14GM601204EAA

Partition and Tubing Assembly



NOTE: TUBING ASSEMBLY
MAY DIFFER FROM
WHAT IS SHOWN



COMPRESSOR ASSEMBLY

Partition and Tubing Assembly

Ref. Part

No: No:

Description:

Ref. Part

No: No:

Description:

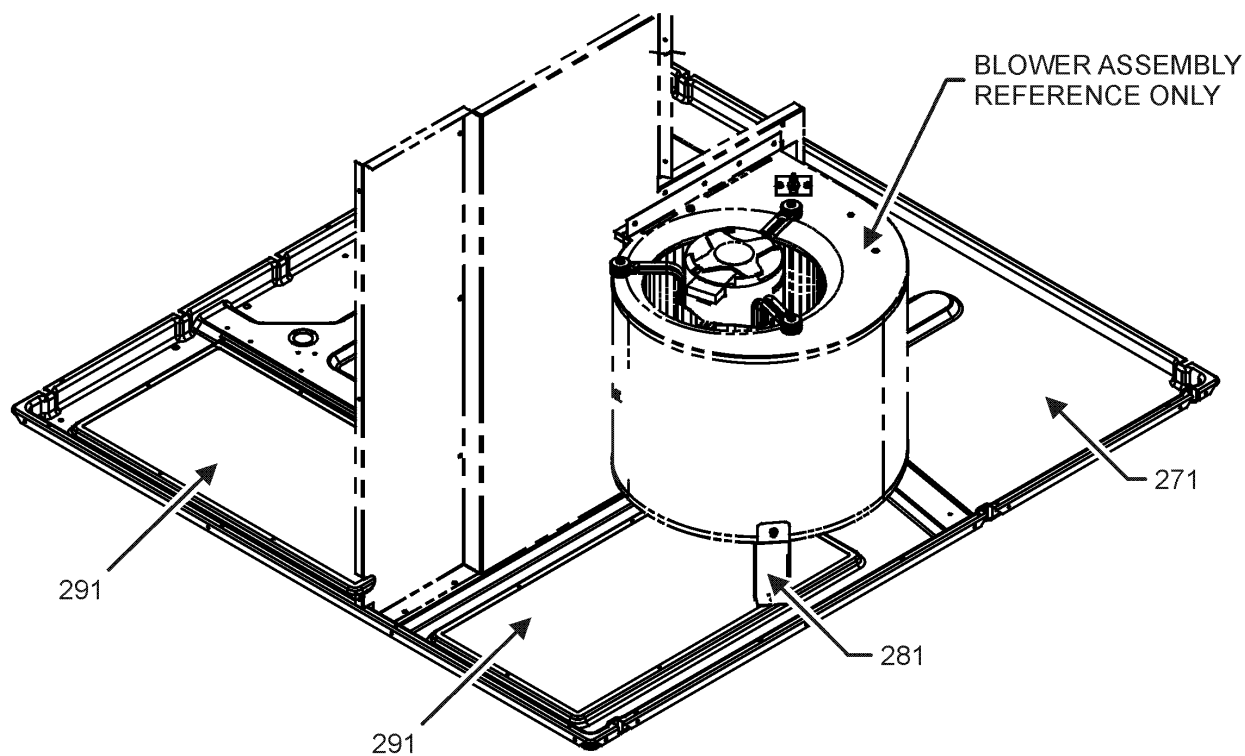
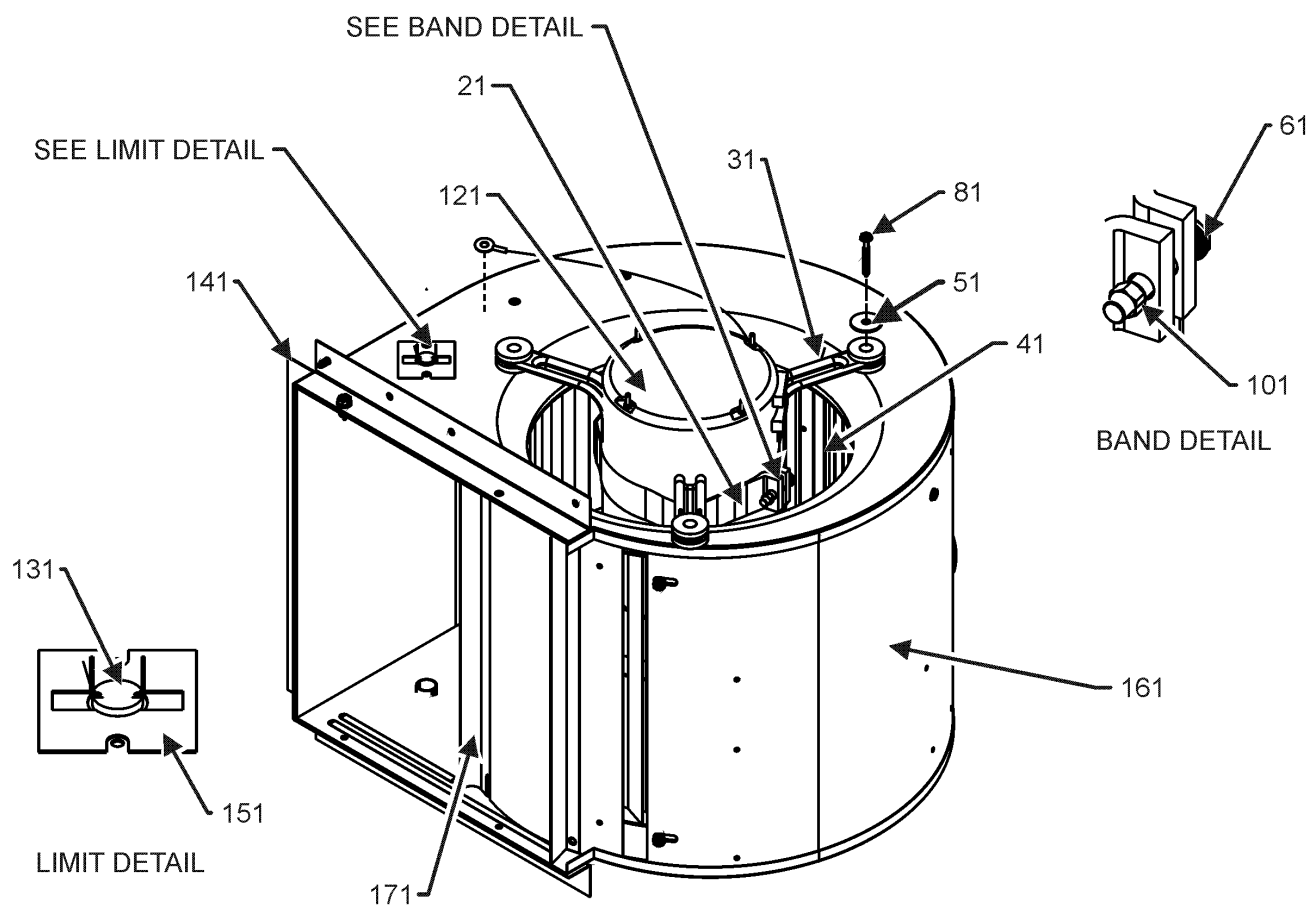
Image 1:

11	ZP61KCETFD130	COMPRESSOR 61500, 460/60/3
41	B1373315	ACCESS FITTING (QTY 2)
51	0130M00087	CUT-OUT SWITCH, LOW PRESSURE
61	0202G00698	COIL TUBING ASSY
71	20465302	BLOWER DIVIDER
81	B1219225	SINGLE-FLOW FILTER DRIER, STEEL
91	0201G00369	CONDENSER COIL ASSY
101	20465202	FILLER PANEL, HEAT EXCHANGER 40"
131	20465701	FAN PARTITION SHELF
141	20465802	FAN SURROUND 40"
151	0130M00074	CUT-OUT SWITCH, HIGH PRESSURE
171	0163M00175	CAP WITH O-RING (QTY 2)
191	20464901DF	DRAIN PAN-EVAP COIL
221	20463801	EVAP/BASEPAN BLOCK 40"
231	0121G00555	DRAIN CHANNEL, SUCTION TUBE
271	20513001	EVAP DRAIN FITTING
301	B1488806	COMPRESSOR SOUND BLANKET
321	0159G00012	HARNESS-COMP SCROLL
331	B1339533	COMPRESSOR GROMMET (QTY 4)
341	M0221641	TF SHOULDER SCREW (QTY 4)
NS	0128G00064	ALUM EVAP DRIP SHIELD
NS	B1810011	HOSE CLAMP 1.25 (QTY 2)

Expanded Model Nomenclature

M1 - DP14GM601204EAA

Base Pan and Blower Assembly



Base Pan and Blower Assembly

Ref. Part No: No:	Description:	Ref. Part No: No:	Description:
-------------------	--------------	-------------------	--------------

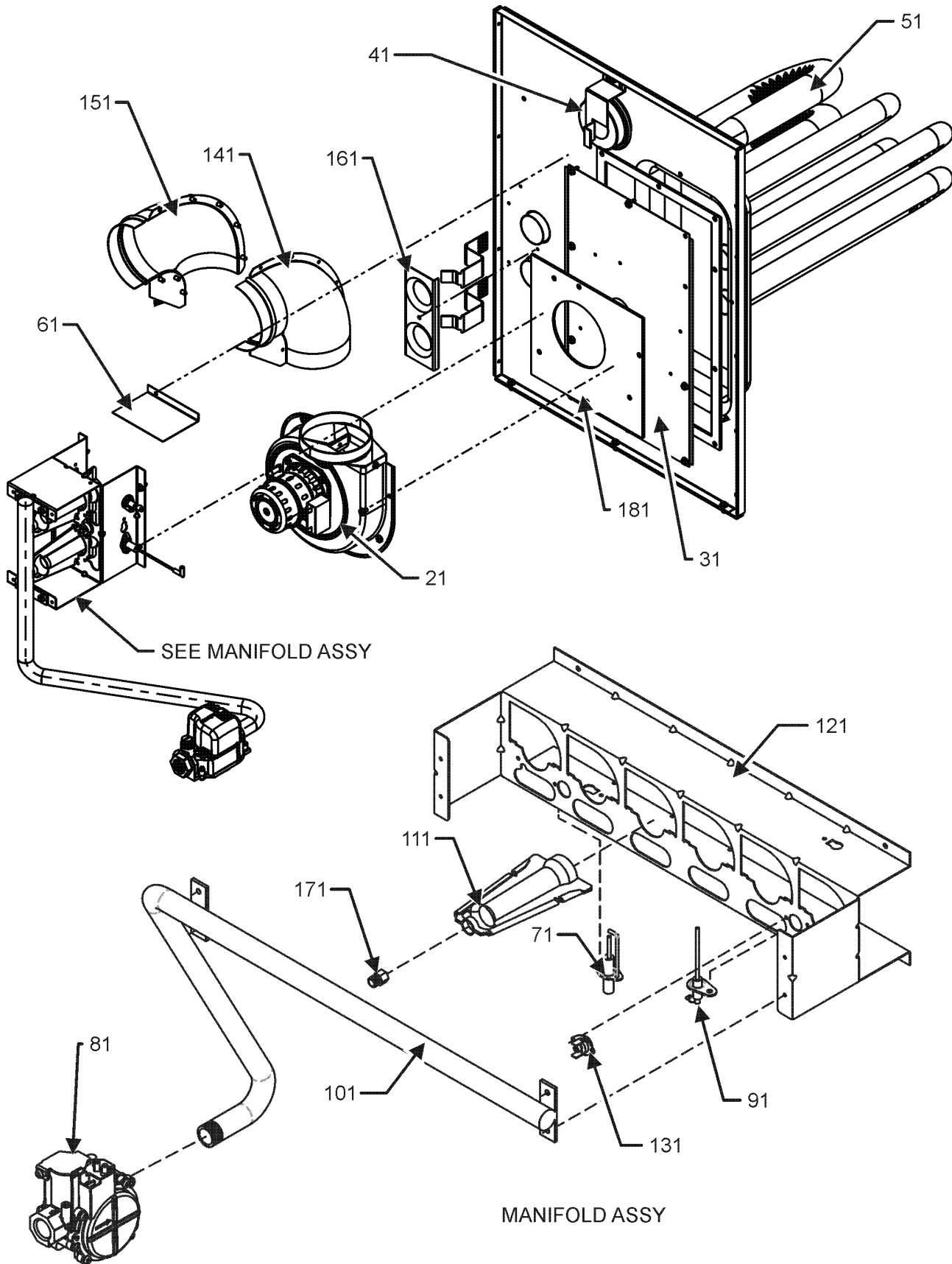
Image 1:

21	0121M00038	MOTOR MOUNT BAND
31	B1376857	MOTOR MOUNT ARM (QTY 3)
41	B1368000	BLOWER WHEEL 11 X 10
51	B1392918	WASHER FLAT 1/4 ID X 1 OD (QTY 3)
61	B1393323	MACHINE SCREW HWH 1/4-20 X 1-1/2 BZ
81	M0250565	TC SCREW 1.25" (QTY 3)
101	B1393800	LOCKNUT, NYLON, INSERT 1/4, 20
121	0131M00758	PROGRAMMED MOTOR
131	20269903	AUXILIARY LIMIT, AUTO RESET
141	20463701	11 X 10 BLOWER MOUNTING
151	2509503F	AUXILIARY LIMIT BRACKET
161	2539309	BLOWER HOUSING ASSY 11 X 10
171	1864703F	BLOWER CUT-OFF
271	0121G00444	BASEPAN, PACKAGE
281	4322801	11 X 10 BLOWER SUPPORT LRG
291	0121G00148	SINGLE COVER, DOWN DISCHARGE (QTY 2)

Expanded Model Nomenclature

M1 - DP14GM601204EAA

Heat Exchanger Assembly



Heat Exchanger Assembly

Ref. Part No:	No:	Description:	Ref. Part No:	No:	Description:
---------------	-----	--------------	---------------	-----	--------------

Image 1:

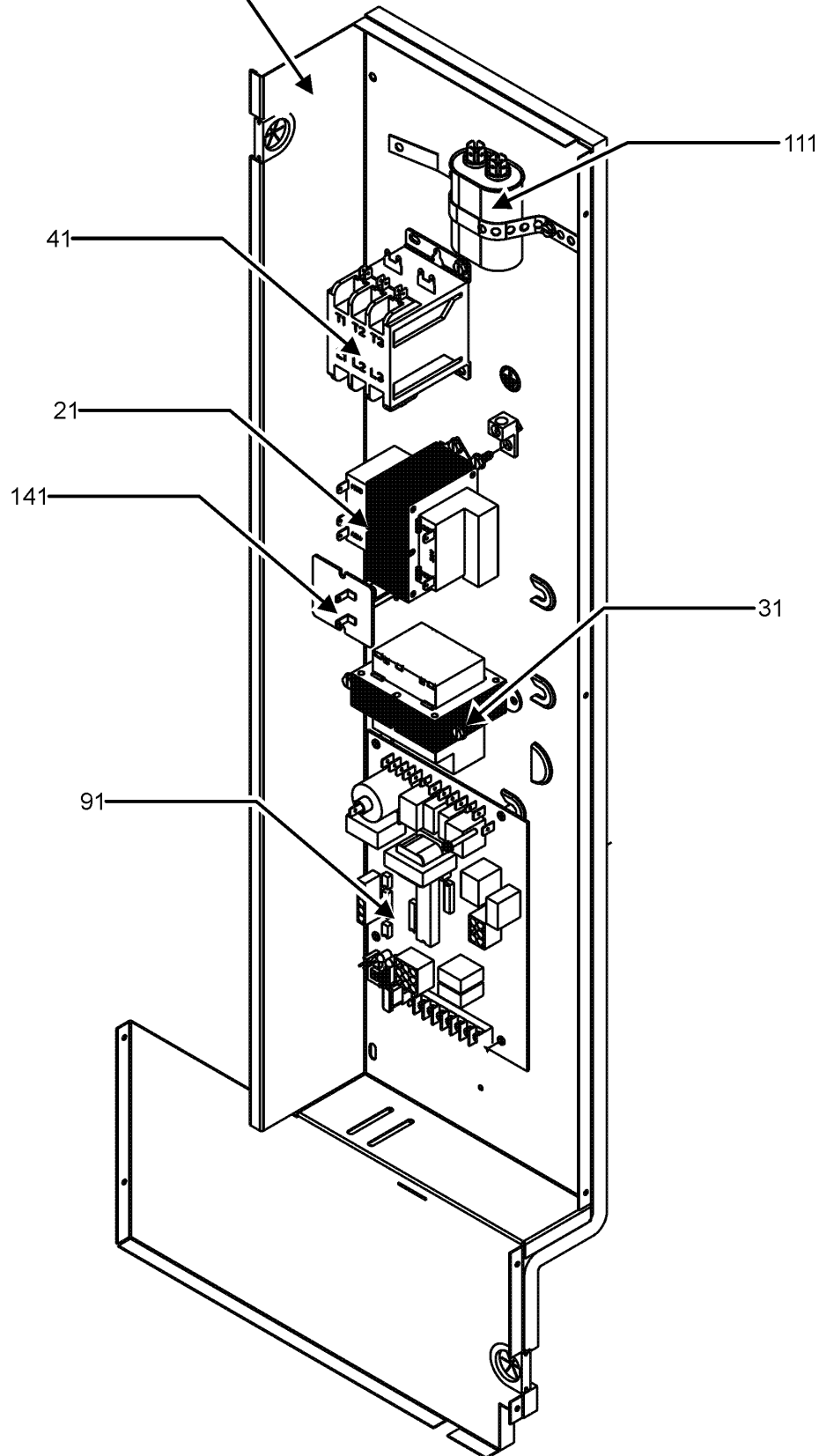
21	0131G00090	BLOWER-ID, 50HZ
31	0121G00746	PLATE-ID BLOWER
41	11112501	PRESSURE SWITCH
51	20490718	PART/TUBE ASSY
61	11190202	HEAT DEFLECTOR
71	0130F00014	IGNITOR
81	0151F00000P	GAS VALVE - WHITE-RODGERS 2-STAGE
91	0130F00010	FLAME SENSOR
101	20493107	MANIFOLD - 6 BRNR
111	0163F00017	BECKETT BURNER (QTY 6)
121	0121F00145	BURNER BRACKET 6B
131	10123529	MANUAL RESET LIMIT-GREEN
141	20484401	FLUE ELBOW LEFT
151	20484402	FLUE ELBOW RIGHT
161	11072205	ORIFICE SHIELD
171	10716005	ORIFICE (QTY 6)
181	0154G00021	GASKET-ID BLOWER & PLATE

Expanded Model Nomenclature

M1 - DP14GM601204EAA

Control Panel Assembly

CONTROL PANEL
REFERENCE ONLY



Control Panel Assembly

Ref. Part No:	No:	Description:	Ref. Part No:	No:	Description:
---------------	-----	--------------	---------------	-----	--------------

Image 1:

21	0130M00081	TRANSFORMER, 380/415V-24V,75VA
31	0130M00080	TRANSFORMER, 380/420V-230V, 150VA
41	CONT3P040024V	CONTACTOR 40 AMP, 3P, 24V
91	PCBAG127	IGNITION BOARD, DSI, 2 STG
111	CAP075000370LA	CAPACITOR 7.5/370V
141	10728343	LIMIT SWITCH
NS	20520901	CAPACITOR STRAP
NS	0259G00257	WIRE HARNESS - 6 CIRCUIT
NS	0259G00044	WIRE HARNESS, 9 CIRCUIT
NS	0259G00229	WIRE HARNESS-FAN

Expanded Model Nomenclature

M1 - DP14GM601204EAA