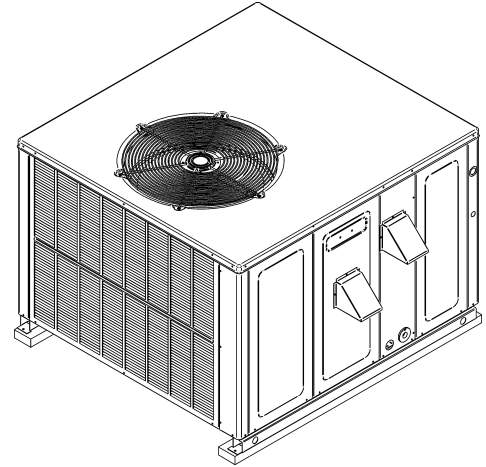


DP14GM "M" Series Residential Package Gas Unit

DP14GM2404041AC
DP14GM2404041AD
DP14GM2406041AC
DP14GM2406041AD
DP14GM3004041AC
DP14GM3006041AC
DP14GM3604041AC
DP14GM3606041AC
DP14GM3608041AC
DP14GM4206041AC
DP14GM4208041AC
DP14GM4806041AC
DP14GM4808041AC
DP14GM4810041AC



This manual is to be used by qualified technicians only.

This manual replaces RP-D3306

Important Information

Index

Functional Parts List	3
Illustration and Parts	4 - 15

Views shown are for parts illustrations only, not servicing procedures.

Text Codes:

AR - As Required

NA - Not Available

NS - Not Shown

00000000 - See Note

QTY - Quantity Example (QTY 3) (If Quantity not shown, Quantity = 1)

M - Model Example (M1) (If M Code not shown, then part is used on all Models)

Expanded Model Nomenclature:

Example
M1 - Model#1
M2 - Model#2
M3 - Model#3

Daikin Manufacturing Company, L.P. is not responsible for personal injury or property damage resulting from improper service. Review all service information before beginning repairs.

Warranty service must be performed by an authorized technician, using authorized factory parts. If service is required after the warranty expires, Daikin Manufacturing Company, L.P. also recommends contacting an authorized technician and using authorized factory parts.

Daikin Manufacturing Company, L.P. reserves the right to discontinue, or change at any time, specifications or designs without notice or without incurring obligations.

For assistance within the U.S.A. contact:

Homeowner Support
Daikin North America, LLC
19001 Kermier Road
Waller, Texas 77484
855-770-5678-Telephone
713-863-2382-Facsimile

For assistance outside the U.S.A. contact:

International Division
Daikin North America, LLC
19001 Kermier Road
Waller, Texas 77484
713-861-2500-Telephone
713-863-2382-Facsimile

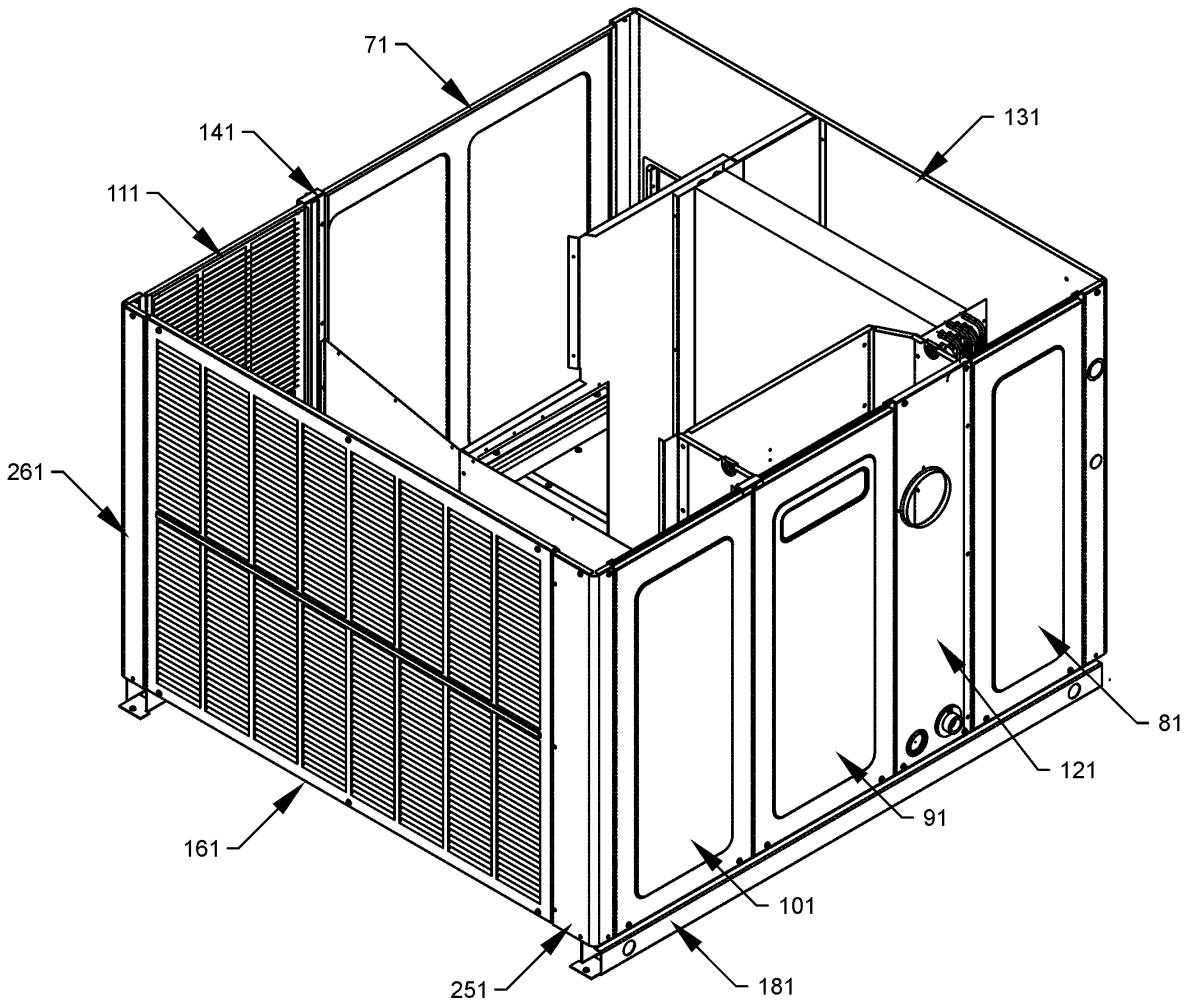
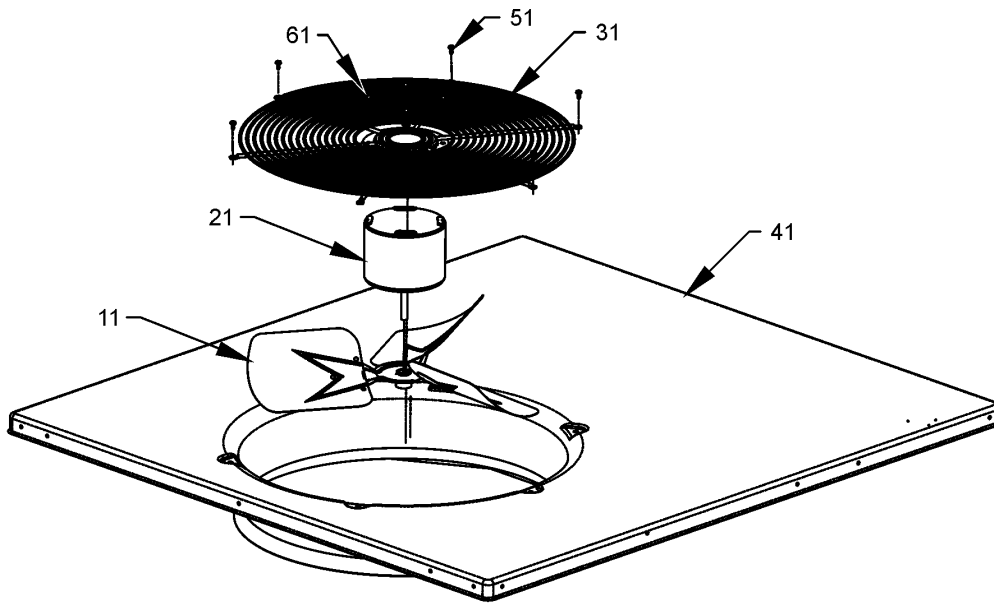
Functional Parts

Part

No: Description:

Part No:	Description:	Expanded Model Nomenclature
0163F00017	BECKETT BURNER (QTY 2)	M1 - DP14GM2404041AC
0150G00003	BLADE, FAN 26 SWEPT WING (M10, M11, M12, M13, M14)	M2 - DP14GM2404041AD
B1368000	BLOWER WHEEL (11 X 10) (M12, M13, M14)	M3 - DP14GM2406041AC
CAP050350440CS	CAP, 5/35 MFD/440V/DUAL RD (M1, M2, M3, M4)	M4 - DP14GM2406041AD
CAP050400440CT	CAP, 5/40 MFD/440V/DUAL RD (M5, M6)	M5 - DP14GM3004041AC
CAP050450440CT	CAP, 5/45 MFD/440V/DUAL RD (M7, M8, M9, M10, M11, M12, M13, M14)	M6 - DP14GM3006041AC
ZP20K5EPFV130	COMP,20000,208/230/60/1 (M1, M2, M3, M4)	M7 - DP14GM3604041AC
ZP25K5EPFV130	COMP,25200,208/230/60/1 (M5, M6)	M8 - DP14GM3606041AC
ZP29K5EPFV130	COMP,29000,208/230/60/1 (M7, M8, M9)	M9 - DP14GM3608041AC
ZP34K5EPFV130	COMP,34500,208/230/60/1 (M10, M11)	M10 - DP14GM4206041AC
ZP39K5EPFV130	COMP,39000,208/230/60/1 (M12, M13, M14)	M11 - DP14GM4208041AC
CONT1P030024V	CONT, 1 POLE, 30 AMP, 24 VAC	M12 - DP14GM4806041AC
0131M00747M	CONTROLLERLESS MOTOR (M10, M11, M12, M13, M14)	M13 - DP14GM4808041AC
0131M00750M	CONTROLLERLESS MOTOR (M1, M2, M3, M4, M5, M6, M7, M8, M9)	M14 - DP14GM4810041AC
0150G00002	FAN BLADE SWP/W (M5, M6, M7, M8, M9)	
0150M00008	FAN BLADE, 22" TNT2203-25 (M1, M2, M3, M4)	
0130F00010	FLAME SENSOR	
0151M00037	GAS VALVE (M2, M4, M5, M6, M7, M8, M9, M10, M11, M12, M13, M14)	
B1282628	GAS VALVE, MANIFOLD (36G) (M1, M3)	
0130M00074	HIGH PRESSURE SWITCH	
PCBAG123	IGNITION BOARD, DSI INTEGRATED	
0130F00014	IGNITOR	
20269903	LIMIT	
10728342	LIMIT SWITCH (M1, M2, M3, M4, M5, M6, M7, M8, M9, M10, M11)	
10728344	LIMIT SWITCH (M12, M13, M14)	
10123532	LIMIT-RESET MAN-GRAY	
0131M00847	MOTOR, 1/4 HP, 1 SP, 6 PL (M5, M6, M10, M11, M12, M13, M14)	
0131M00836	MOTOR, 1/4HP,1SP,8PL,AL (M7, M8, M9)	
0131M00979	MOTOR, 1/6 HP, 1SP, 8PL,AL (M1, M2, M3, M4)	
0131G00000P	MOTOR, ID BLOWER	
11112501	PRESSURE SWITCH	
0131G00016	PROGRAMMED CONTROLLER (M1, M2, M3, M4)	
0131G00017	PROGRAMMED CONTROLLER (M5, M6)	
0131G00018	PROGRAMMED CONTROLLER (M7, M8, M9)	
0131G00020	PROGRAMMED CONTROLLER (M12, M13, M14)	
0131G00019	PROGRAMMED CONTROLLER (M10, M11)	
B1370751	RELAY, 24V	
0130M00138	TRANSFORMER, 208/230, 24V	
B1368016	WHEEL, BLOWER, 10X8 (M1, M2, M3, M4, M5, M6)	
D6723303	WHEEL-BLOWER (M7, M8, M9, M10, M11)	

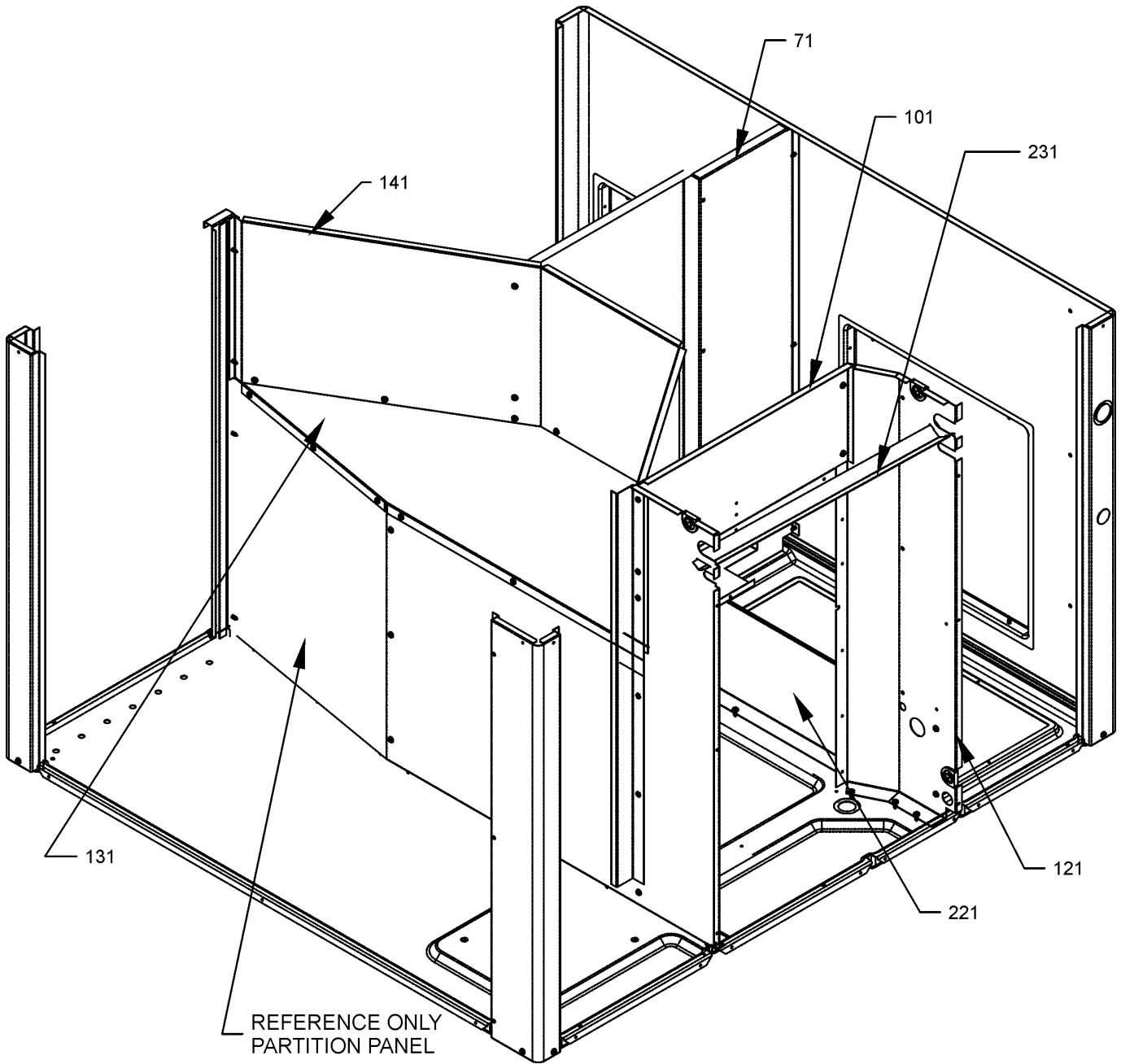
Top Panel / Fan / Cabinet



Top Panel / Fan / Cabinet

Ref. Part No:	Ref. Part No:	Description:	Description:
Image 1:		Expanded Model Nomenclature	
11	0150G00003	BLADE, FAN 26 SWEPT WING (M10, M11, M12, M13, M14)	M1 - DP14GM2404041AC
11	0150G00002	FAN BLADE SWP/W (M5, M6, M7, M8, M9)	M2 - DP14GM2404041AD
11	0150M00008	FAN BLADE, 22" TNT2203-25 (M1, M2, M3, M4)	M3 - DP14GM2406041AC
21	0131M00847	MOTOR, 1/4 HP, 1 SP, 6 PL (M5, M6, M10, M11, M12, M13, M14)	M4 - DP14GM2406041AD
21	0131M00836	MOTOR, 1/4HP,1SP,8PL,AL (M7, M8, M9)	M5 - DP14GM3004041AC
21	0131M00979	MOTOR, 1/6 HP, 1SP, 8PL,AL (M1, M2, M3, M4)	M6 - DP14GM3006041AC
31	0152G00000	FAN GRILLE, RAISED (M5, M6)	M7 - DP14GM3604041AC
31	0152G00003	GRILLE-FAN (M1, M2, M3, M4, M7, M8, M9, M10, M11, M12, M13, M14)	M8 - DP14GM3606041AC
41	0121G00156NG	TOP PANEL	M9 - DP14GM3608041AC
51	M0221817	SMALL SCREW (QTY 6)	M10 - DP14GM4206041AC
61	0163M00006P	ACORN NUT 5/16 HEX BLACK (QTY 4)	M11 - DP14GM4208041AC
71	20464801NG	DOOR -BLOWER 32, PNT (M1, M2, M3, M4, M5, M6, M7, M8, M9, M10, M11)	M12 - DP14GM4806041AC
71	20464806NG	DOOR-BLOWER 40, PNT (M12, M13, M14)	M13 - DP14GM4808041AC
81	20464802NG	DOOR-EVAP/CONTROL 32, PNT (M1, M2, M3, M4, M5, M6, M7, M8, M9, M10, M11)	M14 - DP14GM4810041AC
81	20464807NG	DOOR-EVAP/CONTROL 40, PNT (M12, M13, M14)	
91	0121G00526NG	DOOR-HT EXCHANGE 32 (M1, M2, M3, M4, M5, M6, M7, M8, M9, M10, M11)	
91	0121G00527NG	DOOR-HT EXCHANGE 38 (M12, M13, M14)	
101	20464809NG	DOOR COMPRESSOR 40, PNT (M12, M13, M14)	
101	20464804NG	DOOR-COMPRESSOR 32, PNT (M1, M2, M3, M4, M5, M6, M7, M8, M9, M10, M11)	
111	20467701NG	PANEL-COND SIDE 32, PNT (M1, M2, M3, M4, M5, M6, M10, M11)	
111	20467702NG	PANEL-COND SIDE 40, PNT (M12, M13, M14)	
121	20466101NG	UTILITY PANEL 32, PNT (M1, M2, M3, M4, M5, M6, M7, M8, M9, M10, M11)	
121	20466102NG	UTILITY PANEL 40, PNT (M12, M13, M14)	
131	0121G00802NG	PNL, DUCT, GAS 32.5" PNT (M1, M2, M3, M4, M5, M6, M7, M8, M9, M10, M11)	
131	0121G00803NG	PNL, DUCT, GAS 40" PNT (M12, M13, M14)	
141	0121G00460	POST-SUPPORT, SIDE (M1, M2, M3, M4, M5, M6, M7, M8, M9, M10, M11)	
141	0121G00615	POST-SUPPORT, SIDE 40 (M12, M13, M14)	
161	0121G00728NG	PANEL-COND LOUVERED 32 (M1, M2, M3, M4, M5, M6, M7, M8, M9, M10, M11)	
161	0121G00729NG	PANEL-COND LOUVERED 40 (M12, M13, M14)	
181	0121G00290	BASE PAN RAIL (QTY 2)	
251	20464201NG	POST-CRNR COMP END 32, PNT (M1, M2, M3, M4, M5, M6)	
251	20464202NG	POST-CRNR COMP END 40, PNT (M12, M13, M14)	
261	0121G00454NG	POST-CRNR HPIN END 32, PNT (M1, M2, M3, M4, M5, M6, M7, M8, M9, M10, M11)	
261	0121G00456NG	POST-CRNR HPIN END 40, PNT (M12, M13, M14)	
NS	0161G00016	CONDUIT PVC	
NS	0270G00500	FLUE HOOD ASSY	

Partition Assembly



Partition Assembly

Ref. Part No:	Part No:	Description:	Ref. Part No:	Part No:	Description:
---------------	----------	--------------	---------------	----------	--------------

Image 1:

71	20465305	DIVIDER-BLOWER (M1, M2, M3, M4, M5, M6)
71	20465304	DIVIDER-BLOWER 32 10X9 (M7, M8, M9, M10, M11)
71	20465302	DIVIDER-BLOWER 38 (M12, M13, M14)
101	0121G00894	PANEL FILLER HT EXCH 32 (M1, M2, M3, M4, M5, M6, M7, M8, M9, M10, M11)
101	0121G00895	PANEL FILLER HT EXCH 40 (M12, M13, M14)
121	0121G00757	DIVIDER, EVAP/HT EXCH 32 (M1, M2, M3, M4, M5, M6, M7, M8, M9, M10, M11)
121	0121G00758	DIVIDER, EVAP/HT EXCH 38 (M12, M13, M14)
131	20465701	FAN PARTITION SHELF
141	20465801	SURROUND-FAN 32 (M1, M2, M3, M4, M5, M6, M7, M8, M9, M10, M11)
141	20465802	SURROUND-FAN 40 (M12, M13, M14)
221	20463802	BLOCK-EVAP/BPAN 32 (M1, M2, M3, M4, M5, M6, M7, M8, M9, M10, M11)
221	20463801	BLOCK-EVAP/BPAN 40 (M12, M13, M14)
231	0121G00555	DRAIN CHANNEL, SUCTION TUBE

Expanded Model Nomenclature

- | |
|-----------------------|
| M1 - DP14GM2404041AC |
| M2 - DP14GM2404041AD |
| M3 - DP14GM2406041AC |
| M4 - DP14GM2406041AD |
| M5 - DP14GM3004041AC |
| M6 - DP14GM3006041AC |
| M7 - DP14GM3604041AC |
| M8 - DP14GM3606041AC |
| M9 - DP14GM3608041AC |
| M10 - DP14GM4206041AC |
| M11 - DP14GM4208041AC |
| M12 - DP14GM4806041AC |
| M13 - DP14GM4808041AC |
| M14 - DP14GM4810041AC |

Basepan / Blower Assembly

Image 1

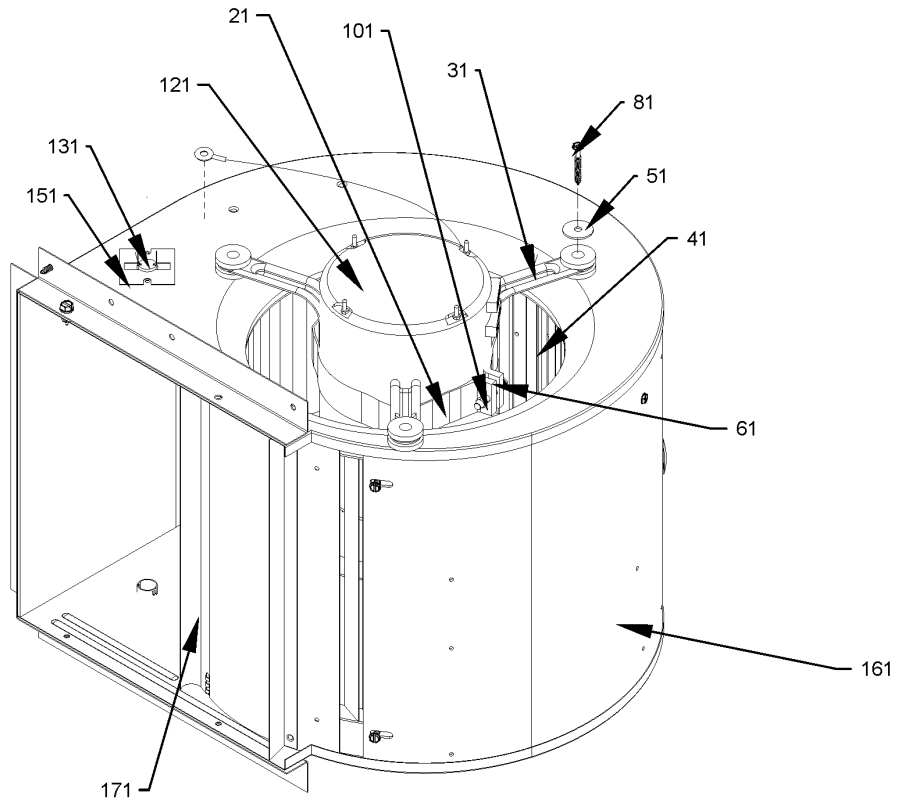
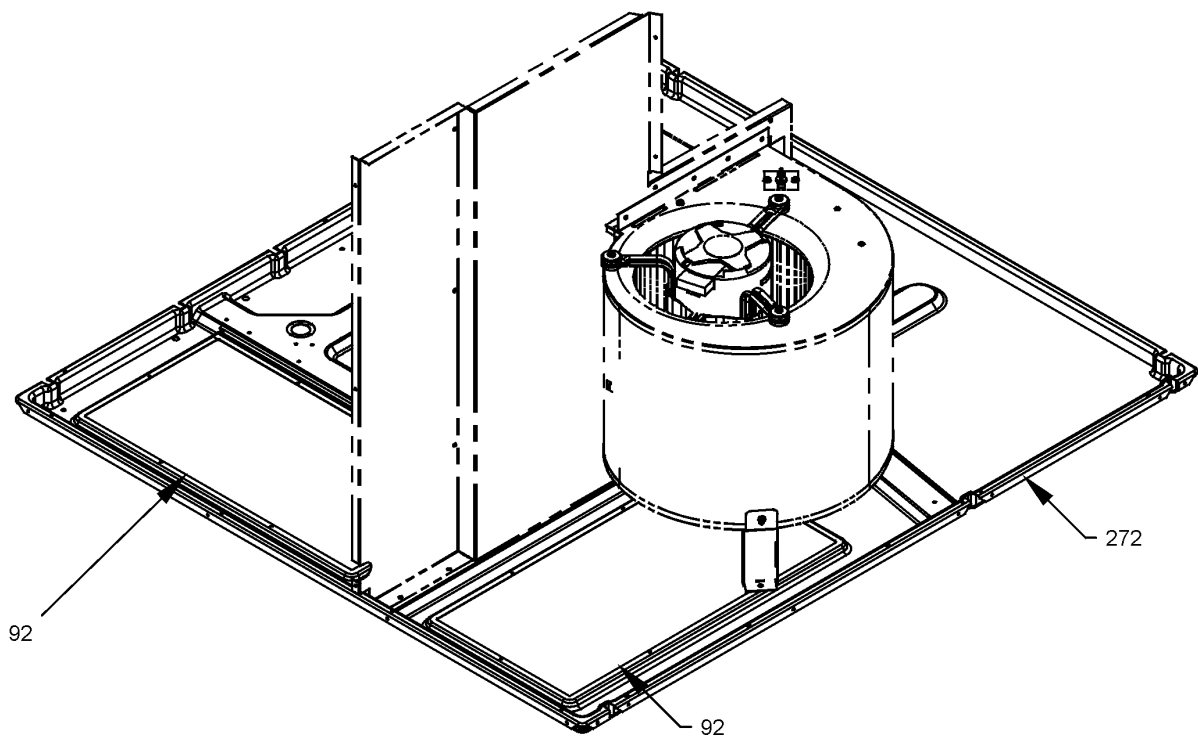


Image 2



Basepan / Blower Assembly

Ref. Part No:	Ref. Part No:	Description:	Description:
Image 1:			
21	0121M00038	MOTOR MOUNT BAND	
31	B1376857	MOTOR MOUNT ARM (QTY 3)	
41	B1368000	BLOWER WHEEL (11 X 10) (M12, M13, M14)	
41	B1368016	WHEEL, BLOWER, 10X8 (M1, M2, M3, M4, M5, M6)	
41	D6723303	WHEEL-BLOWER (M7, M8, M9, M10, M11)	
51	B1392918	WASHER FLAT 1/4 ID X 1 OD (QTY 3)	
61	B1393323	SCREW,MACHI HWH 1/4-20X1 1/2 BZ	
81	M0250565	TC SCREW 1.25" (QTY 3)	
101	B1393800	LOCKNUT, NYLON, INSERT 1/4, 20	
121	0131M00747M	CONTROLLERLESS MOTOR (M10, M11, M12, M13, M14)	
121	0131M00750M	CONTROLLERLESS MOTOR (M1, M2, M3, M4, M5, M6, M7, M8, M9)	
121	0131G00016	PROGRAMMED CONTROLLER (M1, M2, M3, M4)	
121	0131G00017	PROGRAMMED CONTROLLER (M5, M6)	
121	0131G00018	PROGRAMMED CONTROLLER (M7, M8, M9)	
121	0131G00019	PROGRAMMED CONTROLLER (M10, M11)	
121	0131G00020	PROGRAMMED CONTROLLER (M12, M13, M14)	
131	20269903	LIMIT	
151	2509503	BRACKET F/ROLLOUT SWUT SWITCH	
161	0271G00025	BLOWER HOUSING ASSY (10X8) (M1, M2, M3, M4, M5, M6)	
161	0271G00024	BLOWER HOUSING ASSY (10X9) (M7, M8, M9, M10, M11)	
161	2539309	BLOWER HOUSING ASSY (11X10) (M12, M13, M14)	
171	764742	BLOCK OFF - BLOWER (M7, M8, M9, M10, M11)	
171	1864703	BLOWER CUT-OFF ASM,5TON,MORRIS (M12, M13, M14)	
171	764740	BLWR BLK-OFF,10X8 (M1, M2, M3, M4, M5, M6)	

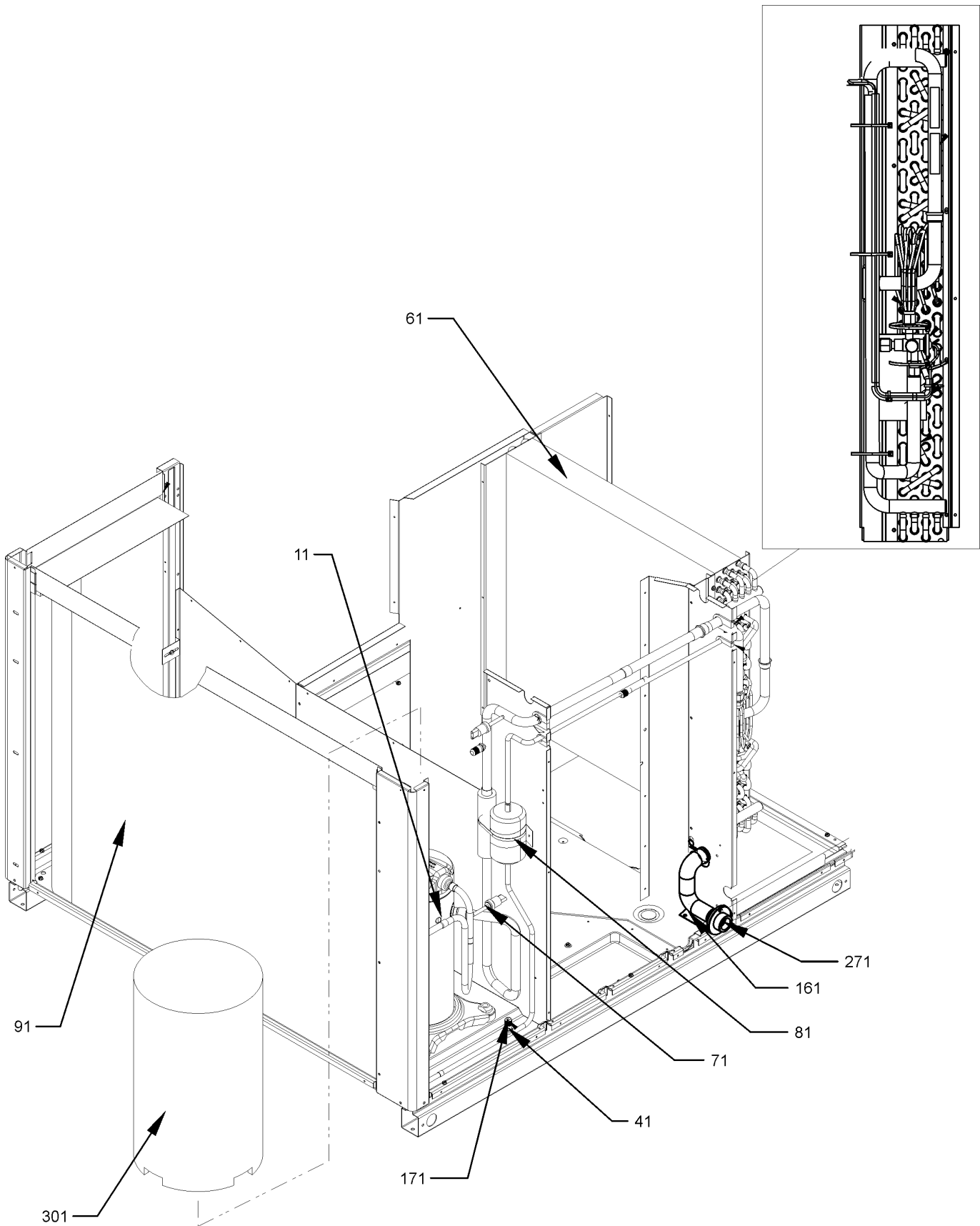
Image 2:

92	0121G00148	SINGLE COVER, DOWN DISCHARGE (QTY 2)
272	0121G00444	BASEPAN, PACKAGE

Expanded Model Nomenclature

M1 - DP14GM2404041AC
M2 - DP14GM2404041AD
M3 - DP14GM2406041AC
M4 - DP14GM2406041AD
M5 - DP14GM3004041AC
M6 - DP14GM3006041AC
M7 - DP14GM3604041AC
M8 - DP14GM3606041AC
M9 - DP14GM3608041AC
M10 - DP14GM4206041AC
M11 - DP14GM4208041AC
M12 - DP14GM4806041AC
M13 - DP14GM4808041AC
M14 - DP14GM4810041AC

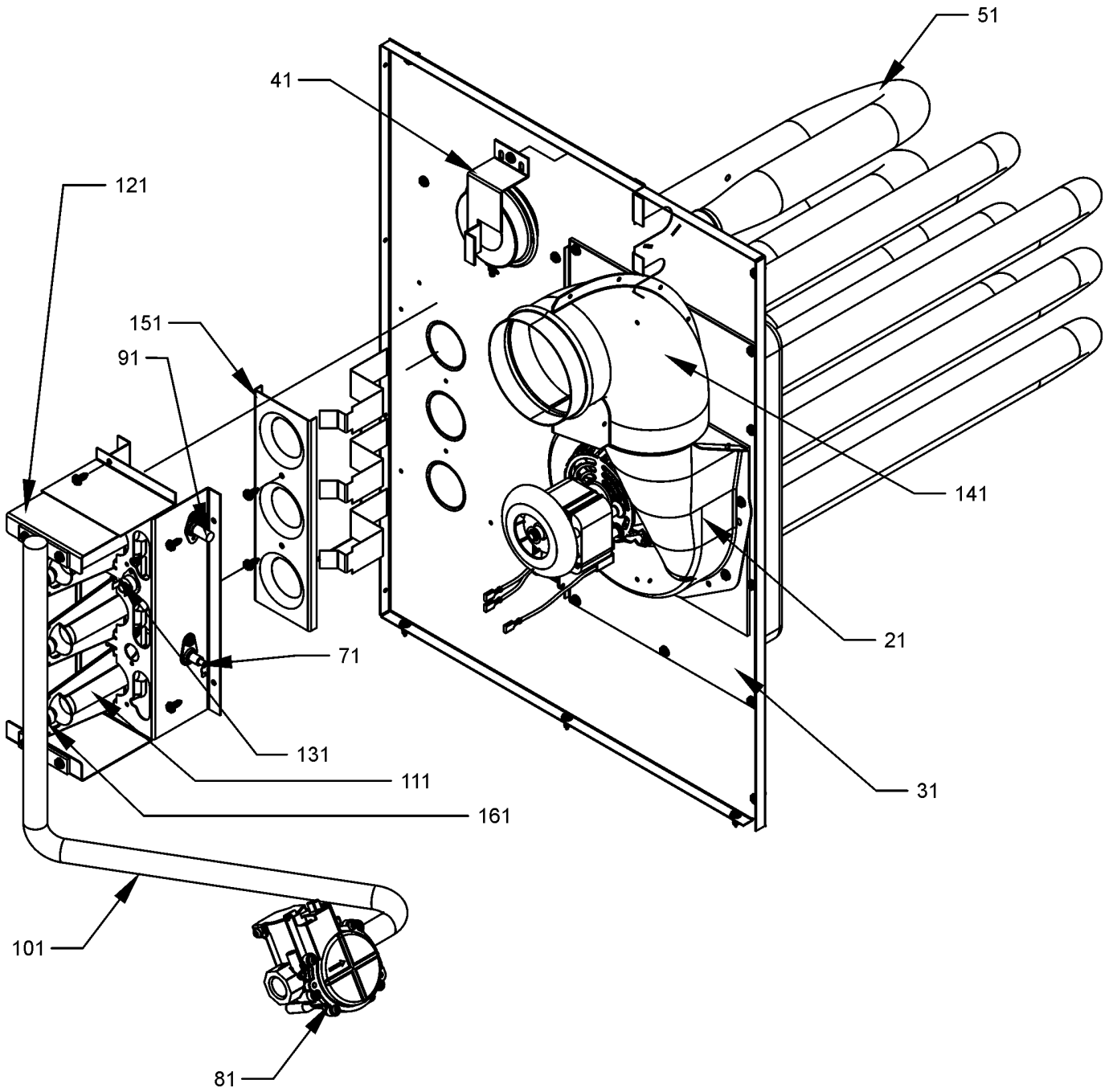
Compressor / Tubing Assembly



Compressor / Tubing Assembly

Ref. Part No: No:	Description:	Ref. Part No: No:	Description:
Image 1:		Expanded Model Nomenclature	
11	ZP20K5EPFV130	COMP,20000,208/230/60/1 (M1, M2, M3, M4)	M1 - DP14GM2404041AC
11	ZP25K5EPFV130	COMP,25200,208/230/60/1 (M5, M6)	M2 - DP14GM2404041AD
11	ZP29K5EPFV130	COMP,29000,208/230/60/1 (M7, M8, M9)	M3 - DP14GM2406041AC
11	ZP34K5EPFV130	COMP,34500,208/230/60/1 (M10, M11)	M4 - DP14GM2406041AD
11	ZP39K5EPFV130	COMP,39000,208/230/60/1 (M12, M13, M14)	M5 - DP14GM3004041AC
41	B1373315	ACCESS FITTING (QTY 2)	M6 - DP14GM3006041AC
61	0202G00565	COIL TUBING ASSY (M1, M2, M3, M4)	M7 - DP14GM3604041AC
61	0202G00566	COIL TUBING ASSY (M5, M6)	M8 - DP14GM3606041AC
61	0202G00567	COIL TUBING ASSY (M7, M8, M9)	M9 - DP14GM3608041AC
61	0202G00685	COIL TUBING ASSY (M12, M13, M14)	M10 - DP14GM4206041AC
61	0202G00697	COIL TUBING ASSY (M10, M11)	M11 - DP14GM4208041AC
71	0130M00074	HIGH PRESSURE SWITCH	M12 - DP14GM4806041AC
81	0162G00007	SINGLE-FLOW FILTER DRIER,STL (M10, M11, M12, M13, M14)	M13 - DP14GM4808041AC
81	0162G00008	SINGLE-FLOW FILTER DRIER,STL (M1, M2, M3, M4, M5, M6, M7, M8, M9)	M14 - DP14GM4810041AC
91	0201G00142	CONDENSER COIL ASSY (M1, M2, M3, M4, M5, M6)	
91	0201G00249	CONDENSER COIL ASSY (M7, M8, M9)	
91	0201G00262	CONDENSER COIL ASSY (M10, M11)	
91	0201G00463	CONDENSER COIL ASSY (M12, M13, M14)	
161	20498302	TUBE-DRAIN 32 (M1, M2, M3, M4, M5, M6, M7, M8, M9, M10, M11)	
161	20498301	TUBE-DRAIN 40 (M12, M13, M14)	
171	0163M00175	CAP WITH O-RING (QTY 2)	
271	20513001	EVAP DRAIN FITTING	
301	0160M00039	COMPRESSOR BLANKET	
NS	0259G00209	BLOWER HARNESS (M1, M2, M3, M4, M5, M6, M7, M8, M9, M10, M11)	
NS	B1339533	COMPRESSOR GROMMET (QTY 4)	
NS	20464901DF	DRAIN PAN-EVAP COIL	
NS	0159G00009	HARNESS-COMP SCROLL (M10, M11)	
NS	0159G00014	HARNESS-COMP SCROLL (M1, M2, M3, M4, M5, M6, M7, M8, M9)	
NS	0159G00015	HARNESS-COMP SCROLL (M12, M13, M14)	
NS	B1810011	HOSE CLAMP 1.25 (QTY 2)	
NS	M0221641	SCREW-SHOULDER TF (QTY 4)	
NS	M0221641	TF SHOULDER SCREW (QTY 4)	

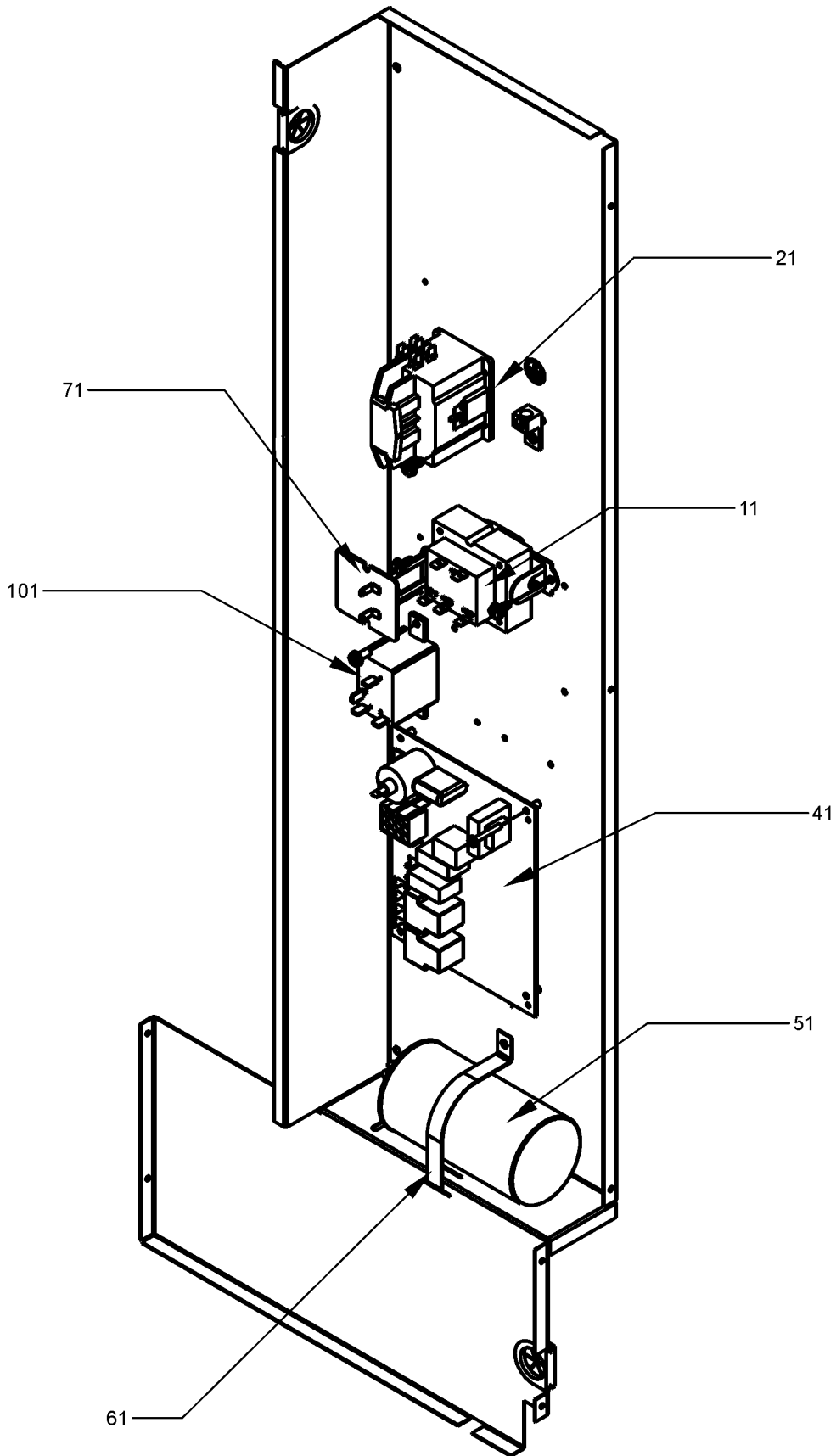
Heat Exchanger / Manifold / Gas Valve



Heat Exchanger / Manifold / Gas Valve

Ref. Part No:	Ref. Part No:	Description:	Description:
Image 1:		Expanded Model Nomenclature	
21	0131G00000P	MOTOR, ID BLOWER	M1 - DP14GM2404041AC
31	0121G00739	PLATE-ID BLOWER (M1, M2, M5, M7)	M2 - DP14GM2404041AD
31	0121G00740	PLATE-ID BLOWER (M3, M4, M6, M8, M10)	M3 - DP14GM2406041AC
31	0121G00741	PLATE-ID BLOWER (M9, M11)	M4 - DP14GM2406041AD
31	0121G00742	PLATE-ID BLOWER (M14)	M5 - DP14GM3004041AC
31	0121G00744	PLATE-ID BLOWER (M12)	M6 - DP14GM3006041AC
31	0121G00745	PLATE-ID BLOWER (M13)	M7 - DP14GM3604041AC
41	11112501	PRESSURE SWITCH	M8 - DP14GM3606041AC
51	20490715	ASSY, PART/TUBE (M1, M2, M5, M7)	M9 - DP14GM3608041AC
51	20490717	ASSY, PART/TUBE (M12)	M10 - DP14GM4206041AC
51	20490710	PART/TUBE ASSY 3B (M3, M4, M6, M8, M10)	M11 - DP14GM4208041AC
51	20490711	PART/TUBE ASSY 4B (M9, M11)	M12 - DP14GM4806041AC
51	20490712	PART/TUBE ASSY 4B (M13)	M13 - DP14GM4808041AC
51	20490713	PART/TUBE ASSY 5B (M14)	M14 - DP14GM4810041AC
71	0130F00014	IGNITOR	
81	0151M00037	GAS VALVE (M2, M4, M5, M6, M7, M8, M9, M10, M11, M12, M13, M14)	
81	B1282628	GAS VALVE, MANIFOLD (36G) (M1, M3)	
91	0130F00010	FLAME SENSOR	
101	20493103	MANIFOLD- 3 BRNR 32 (M3, M4, M6, M8, M10)	
101	20493104	MANIFOLD- 4 BRNR 32 (M9, M11)	
101	20493105	MANIFOLD- 4 BRNR 38 (M13)	
101	20493106	MANIFOLD- 5 BRNR 38 (M14)	
101	0121M00035P	MANIFOLD-2 BURNER (M1, M2, M5, M7)	
101	0121M00036P	MANIFOLD-3 BURNER (M12)	
111	0163F00017	BECKETT BURNER (QTY 2)	
121	20190410	BRKT-BURNER 2B FUR (M1, M2, M5, M7)	
121	0121L02164	BRKT-BURNER 3B FUR (M3, M4, M6, M8, M10, M12)	
121	20190412	BRKT-BURNER 4B FUR (M9, M11, M13)	
121	20190413	BRKT-BURNER 5B FUR (M14)	
131	10123532	LIMIT-RESET MAN-GRAY	
141	20484401	FLUE ELBOW LEFT	
141	20484402	FLUE ELBOW RIGHT	
151	11072201	SHIELD-ORF CO FUR (M1, M2, M5, M7)	
151	11072202	SHIELD-ORF CO FUR (M3, M4, M6, M8, M10, M12)	
151	11072203	SHIELD-ORF CO FUR (M9, M11, M13)	
151	11072204	SHIELD-ORF CO FUR (M14)	
161	10716005	ORIFICE (QTY 2)	
NS	0154G00020	GASKET-ID BLOWER & PLATE (M1, M2, M3, M4, M5, M6, M7, M8, M9, M10, M11)	
NS	0154G00021	GASKET-ID BLOWER & PLATE (M12, M13, M14)	

Control Panel



Control Panel

Ref. Part No:	Part No:	Description:	Ref. Part No:	Part No:	Description:
---------------	----------	--------------	---------------	----------	--------------

Image 1:

11	0130M00138	TRANSFORMER, 208/230, 24V			
21	CONT1P030024V	CONT, 1 POLE, 30 AMP, 24 VAC			
41	PCBAG123	IGNITION BOARD, DSI INTEGRATED			
51	CAP050350440CS	CAP, 5/35 MFD/440V/DUAL RD (M1, M2, M3, M4)			
51	CAP050400440CT	CAP, 5/40 MFD/440V/DUAL RD (M5, M6)			
51	CAP050450440CT	CAP, 5/45 MFD/440V/DUAL RD (M7, M8, M9, M10, M11, M12, M13, M14)			
61	20520901	CAPACITOR STRAP			
71	10728342	LIMIT SWITCH (M1, M2, M3, M4, M5, M6, M7, M8, M9, M10, M11)			
71	10728344	LIMIT SWITCH (M12, M13, M14)			
101	B1370751	RELAY, 24V			
NS	0259G00207	CONTROL HARNESS, SM (M1, M2, M3, M4, M5, M6, M7, M8, M9, M10, M11)			
NS	0259G00023	HARNESS, BLOWER (M12, M13, M14)			

Expanded Model Nomenclature

M1 - DP14GM2404041AC
M2 - DP14GM2404041AD
M3 - DP14GM2406041AC
M4 - DP14GM2406041AD
M5 - DP14GM3004041AC
M6 - DP14GM3006041AC
M7 - DP14GM3604041AC
M8 - DP14GM3606041AC
M9 - DP14GM3608041AC
M10 - DP14GM4206041AC
M11 - DP14GM4208041AC
M12 - DP14GM4806041AC
M13 - DP14GM4808041AC
M14 - DP14GM4810041AC