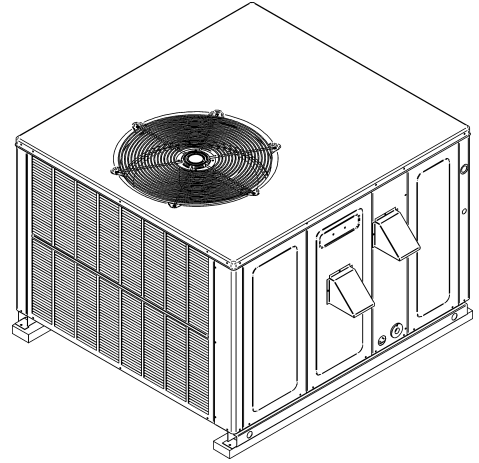


DP14GM Residential Package Gas Unit

DP14GM3604041CA
DP14GM3606041CA
DP14GM3608041CA
DP14GM4206041CA
DP14GM4208041CA
DP14GM4806041CA
DP14GM4808041CA
DP14GM4810041CA
DP14GM6108041CA
DP14GM6110041CA
DP14GM6112041CA



This manual is to be used by qualified technicians only.

This manual replaces RP-D3318

Important Information

Index

Functional Parts List	3
Illustration and Parts	4 - 13

Views shown are for parts illustrations only, not servicing procedures.

Text Codes:

AR - As Required

NA - Not Available

NS - Not Shown

00000000 - See Note

QTY - Quantity Example (QTY 3) (If Quantity not shown, Quantity = 1)

M - Model Example (M1) (If M Code not shown, then part is used on all Models)

Expanded Model Nomenclature:

Example
M1 - Model#1
M2 - Model#2
M3 - Model#3

Daikin Manufacturing Company, L.P. is not responsible for personal injury or property damage resulting from improper service. Review all service information before beginning repairs.

Warranty service must be performed by an authorized technician, using authorized factory parts. If service is required after the warranty expires, Daikin Manufacturing Company, L.P. also recommends contacting an authorized technician and using authorized factory parts.

Daikin Manufacturing Company, L.P. reserves the right to discontinue, or change at any time, specifications or designs without notice or without incurring obligations.

For assistance within the U.S.A. contact:

Homeowner Support
Daikin North America, LLC
19001 Kermier Road
Waller, Texas 77484
855-770-5678-Telephone
713-863-2382-Facsimile

For assistance outside the U.S.A. contact:

International Division
Daikin North America, LLC
19001 Kermier Road
Waller, Texas 77484
713-861-2500-Telephone
713-863-2382-Facsimile

Functional Parts

Part

No: Description:

0150G00003	BLADE, FAN 26 SWEEP WING
B1368000	BLOWER WHEEL (11 X 10) (M4, M5, M6, M7, M8, M9, M10, M11)
0131G00000P	BLOWER-ID (M1, M2, M3, M4, M5, M6, M7, M8)
0131G00001	BLOWER-ID (M9, M10, M11)
CAP100450440CS	CAP, 10/45 MFD/ 440V DUAL RD (M9, M10, M11)
CAP100450440CS	CAP, 10/45 MFD/ 440V DUAL RD (M9, M10, M11)
CAP050450440CT	CAP, 5/45 MFD/440V/DUAL RD (M1, M2, M3, M4, M5)
ZPS49K6EPFV130	COMP 49000,208/230/60/1 (M9, M10, M11)
ZP40K6EPFV120	COMP, 53700, 208/230/60/1 (M6, M7, M8)
ZP29K5EPFV130	COMP,29000,208/230/60/1 (M1, M2, M3)
ZP34K5EPFV130	COMP,34500,208/230/60/1 (M4, M5)
CONT1P030024V	CONT, 1 POLE, 30 AMP, 24 VAC (M1, M2, M3, M4, M5, M6, M7, M8)
CONT2P040024V	CONT, 2 POLE, 40 AMP, 24 VAC (M9, M10, M11)
0131M00749M	CONTROLLERLESS MOTOR (M9, M10, M11)
0131M00747M	CONTROLLERLESS MOTOR (M4, M5, M6, M7, M8)
0131M00750M	CONTROLLERLESS MOTOR (M1, M2, M3)
0130F00010	FLAME SENSOR
0151M00037	GAS VALVE (M1, M2, M3, M4, M5, M6, M7, M8)
0130M00074	HIGH PRESSURE SWITCH
0130F00014	IGNITOR
10728344	LIMIT SWITCH (M4, M5, M6, M7, M8)
10728343	LIMIT SWITCH (M9, M10, M11)
10728342	LIMIT SWITCH (M1, M2, M3)
10123532	LIMIT-RESET MAN-GRAY (M1, M2, M3, M4, M5, M6, M7, M8)
10123529	LIMIT-RESET MAN-GREEN (M9, M10, M11)
0131M00430	MOTOR, 1/3 HP, 1 SP, 6 PL (M6, M7, M8, M9, M10, M11)
0131M00847	MOTOR, 1/4 HP, 1 SP, 6 PL (M1, M2, M3, M4, M5)
PCBAG127	PCB, IGNITION, DSI, 2 STG (M9, M10, M11)
PCBAG123	PCB, IGNITION, DSI, INTEG (M1, M2, M3, M4, M5, M6, M7, M8)
11112501	PRESSURE SWITCH
0131G00094	PROGRAMMED CONTROLLER (M11)
0131G00121	PROGRAMMED CONTROLLER (M6, M7, M8)
0131G00055	PROGRAMMED CONTROLLER (M10)
0131G00119	PROGRAMMED CONTROLLER (M1, M2, M3)
0131G00120	PROGRAMMED CONTROLLER (M4, M5)
0131G00021	PROGRAMMED CONTROLLER (M9)
B1370751	RELAY 24V (M1, M2, M3, M4, M5, M6, M7, M8)
0130M00138	TRANSFORMER, 208/230, 24V
0151M00075	VALVE-TXV R410A (M9, M10, M11)
D6723303	WHEEL-BLOWER (M1, M2, M3)

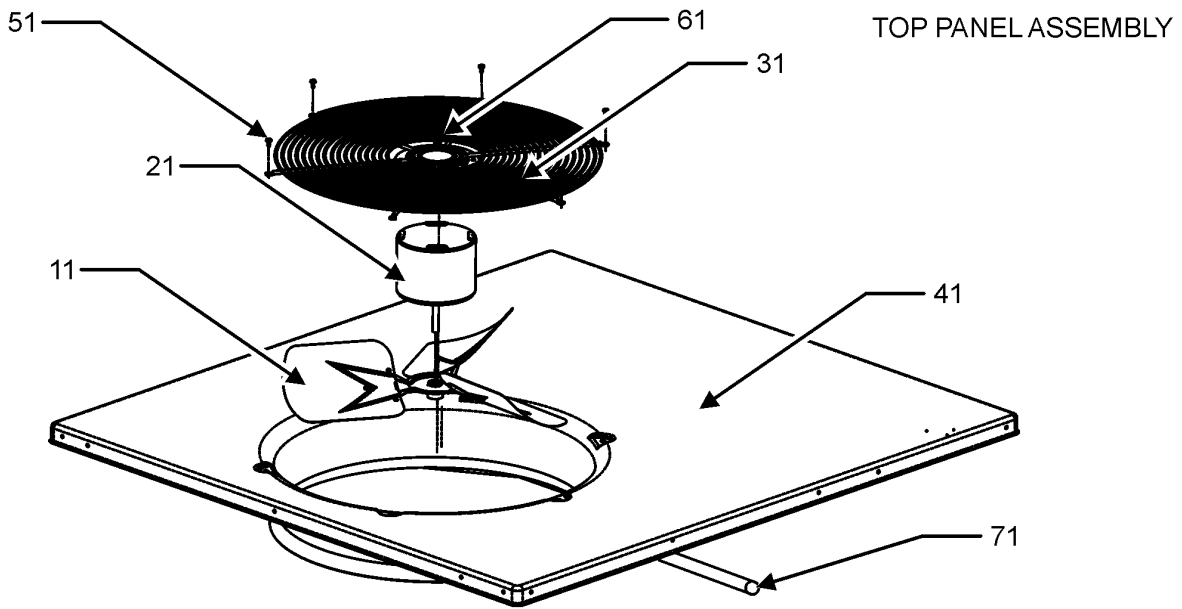
Expanded Model Nomenclature

M1 - DP14GM3604041CA
M2 - DP14GM3606041CA
M3 - DP14GM3608041CA
M4 - DP14GM4206041CA
M5 - DP14GM4208041CA
M6 - DP14GM4806041CA
M7 - DP14GM4808041CA
M8 - DP14GM4810041CA
M9 - DP14GM6108041CA
M10 - DP14GM6110041CA
M11 - DP14GM6112041CA

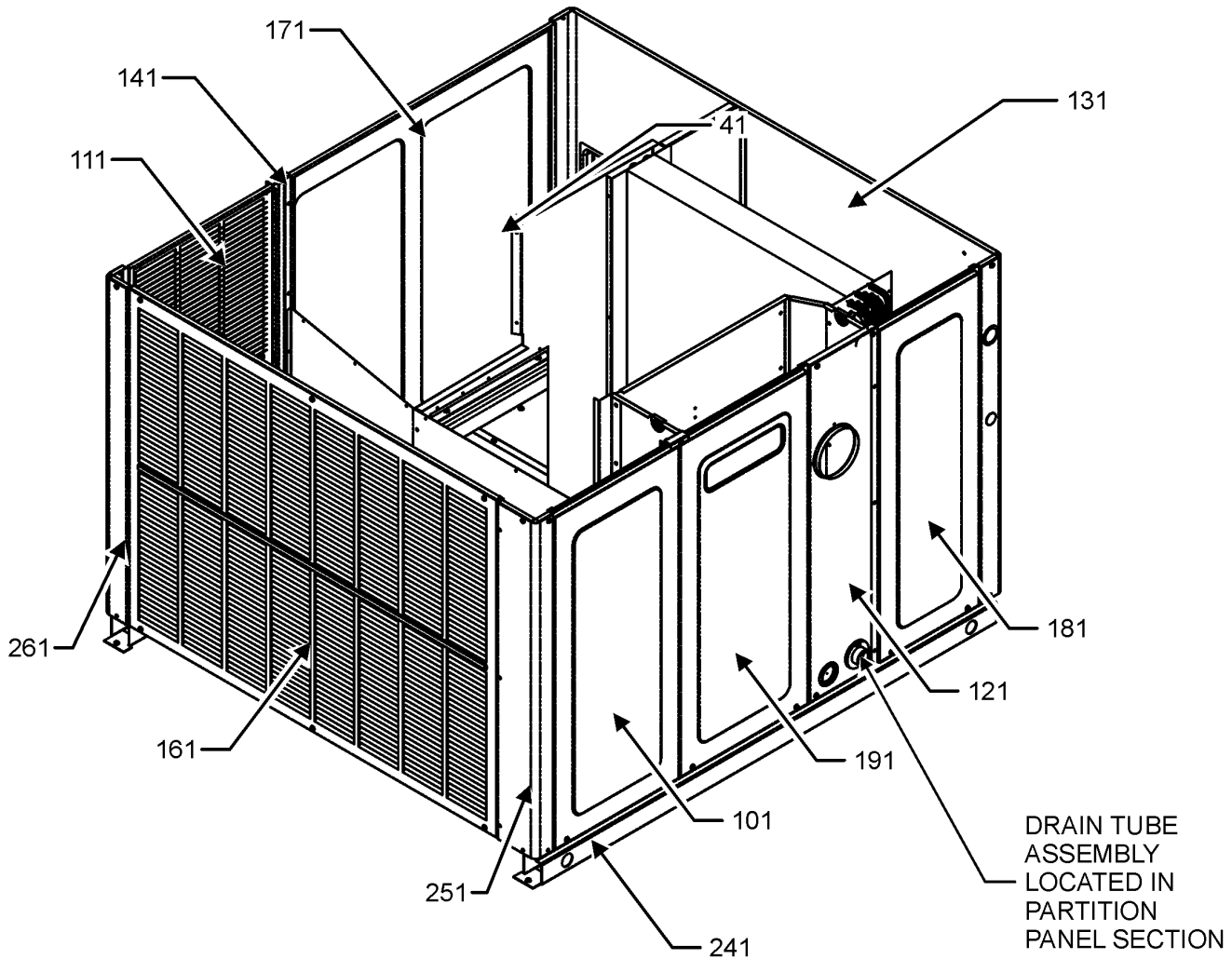
SPECIAL PARTS

TP-109B	AL COIL-APPROVED CLEANING LIST
HID-3001C	HOMEOWNERS MANUAL
IOD-3008J	I & O MANUAL
PWDPKGETYURA	PRODUCT WARRANTY

Top Panel and Cabinet Assembly



CABINET ASSEMBLY

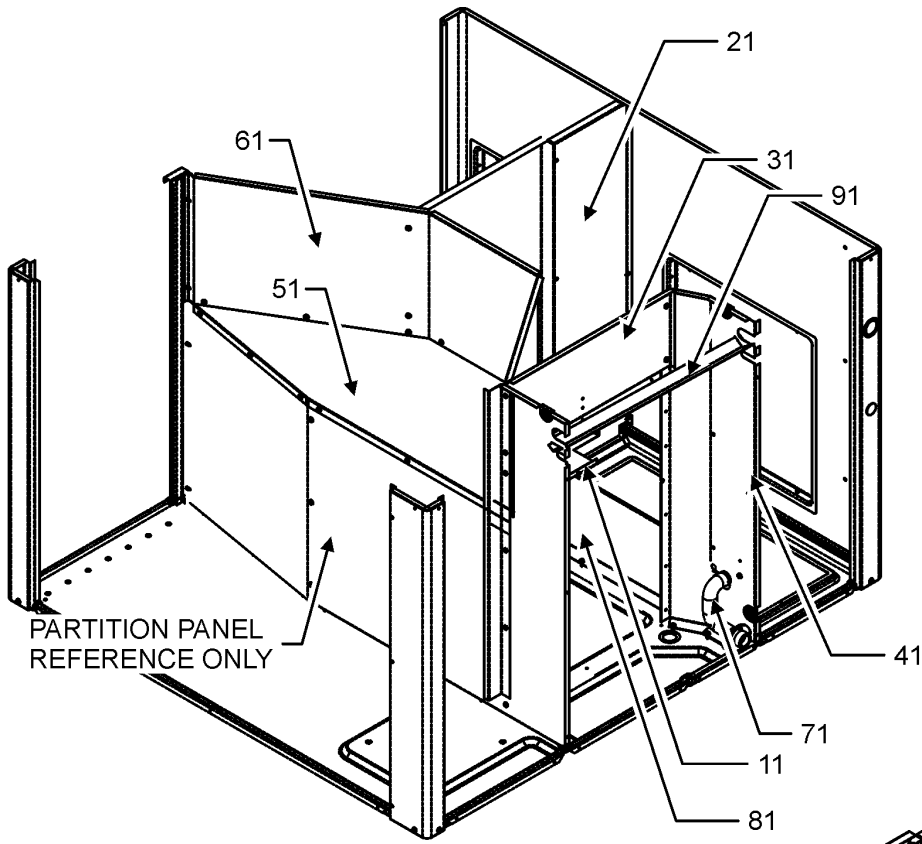


Top Panel and Cabinet Assembly

Ref. Part No:	Ref. Part No:	Description:	Description:
Image 1:		Expanded Model Nomenclature	
11	0150G00003	BLADE, FAN 26 SWEEP WING	M1 - DP14GM3604041CA
21	0131M00430	MOTOR, 1/3 HP, 1 SP, 6 PL (M6, M7, M8, M9, M10, M11)	M2 - DP14GM3606041CA
21	0131M00847	MOTOR, 1/4 HP, 1 SP, 6 PL (M1, M2, M3, M4, M5)	M3 - DP14GM3608041CA
31	0152G00003	GRILLE-FAN	M4 - DP14GM4206041CA
41	0121G00156NG	TOP PANEL	M5 - DP14GM4208041CA
51	M0221817	SMALL SCREW (QTY 6)	M6 - DP14GM4806041CA
61	0163M00006P	ACORN NUT 5/16 HEX BLACK (QTY 4)	M7 - DP14GM4808041CA
71	0161G00016	CONDUIT PVC	M8 - DP14GM4810041CA
101	20464804NG	DOOR-COMPRESSOR 38 (M1, M2, M3)	M9 - DP14GM6108041CA
101	20464809NG	DOOR-COMPRESSOR 40 W/PAINT (M4, M5, M6, M7, M8, M9, M10, M11)	M10 - DP14GM6110041CA
111	20467701NG	PANEL - COND SIDE 32 W/PAINT (M1, M2, M3)	M11 - DP14GM6112041CA
111	20467702NG	PANEL - COND SIDE 40 W/PAINT (M4, M5, M6, M7, M8, M9, M10, M11)	
121	20466101NG	UTILITY PANEL 32 W/PAINT (M1, M2, M3)	
121	20466102NG	UTILITY PANEL 40 W/PAINT (M4, M5, M6, M7, M8, M9, M10, M11)	
131	0121G00802NG	PNL, DUCT, GAS 32.5" PNT (M1, M2, M3)	
131	0121G00803NG	PNL, DUCT, GAS 40" PNT (M4, M5, M6, M7, M8, M9, M10, M11)	
141	0121G00460	POST-SUPPORT, SIDE (M1, M2, M3)	
141	0121G00615	POST-SUPPORT, SIDE 40 (M4, M5, M6, M7, M8, M9, M10, M11)	
161	0121G00728NG	PANEL-COND LOUVERED 32 (M1, M2, M3)	
161	0121G00729NG	PANEL-COND LOUVERED 40 (M4, M5, M6, M7, M8, M9, M10, M11)	
171	20464801NG	DOOR - BLOWER 32 W/PAINT (M1, M2, M3)	
171	20464806NG	DOOR - BLOWER 40 W/PAINT (M4, M5, M6, M7, M8, M9, M10, M11)	
181	20464802NG	DOOR-EVAP/CONTROL 32 W/PAINT (M1, M2, M3)	
181	20464807NG	DOOR-EVAP/CONTROL 40 W/PAINT (M4, M5, M6, M7, M8, M9, M10, M11)	
191	0121G00526NG	DOOR-HT EXCHANGE 32 (M1, M2, M3)	
191	0121G00527NG	DOOR-HT EXCHANGE 38 (M4, M5, M6, M7, M8, M9, M10, M11)	
241	0121G00290	RAIL, BASEPAN, PKG (QTY 2)	
251	0121G00453NG	CORNER-POST COMP END, PNT (M1, M2, M3)	
251	20464202NG	CRNR POST-COMP END 40 W/PAINT (M4, M5)	
251	0121G00455NG	POST-CRNR COMP END 40, PNT (M6, M7, M8, M9, M10, M11)	
261	0121G00454NG	CORNER-POST HPIN END, PNT (M1, M2, M3)	
261	0121G00456NG	CORNER-POST HPIN END, PNT (M4, M5, M6, M7, M8, M9, M10, M11)	
NS	TP-109B	AL COIL-APPROVED CLEANING LIST	
NS	0270G00500	FLUE HOOD ASSY	
NS	HID-3001C	HOMEOWNERS MANUAL	
NS	IOD-3008J	I & O MANUAL	
NS	PWDPKGETYURA	PRODUCT WARRANTY	

Partition and Tubing Assembly

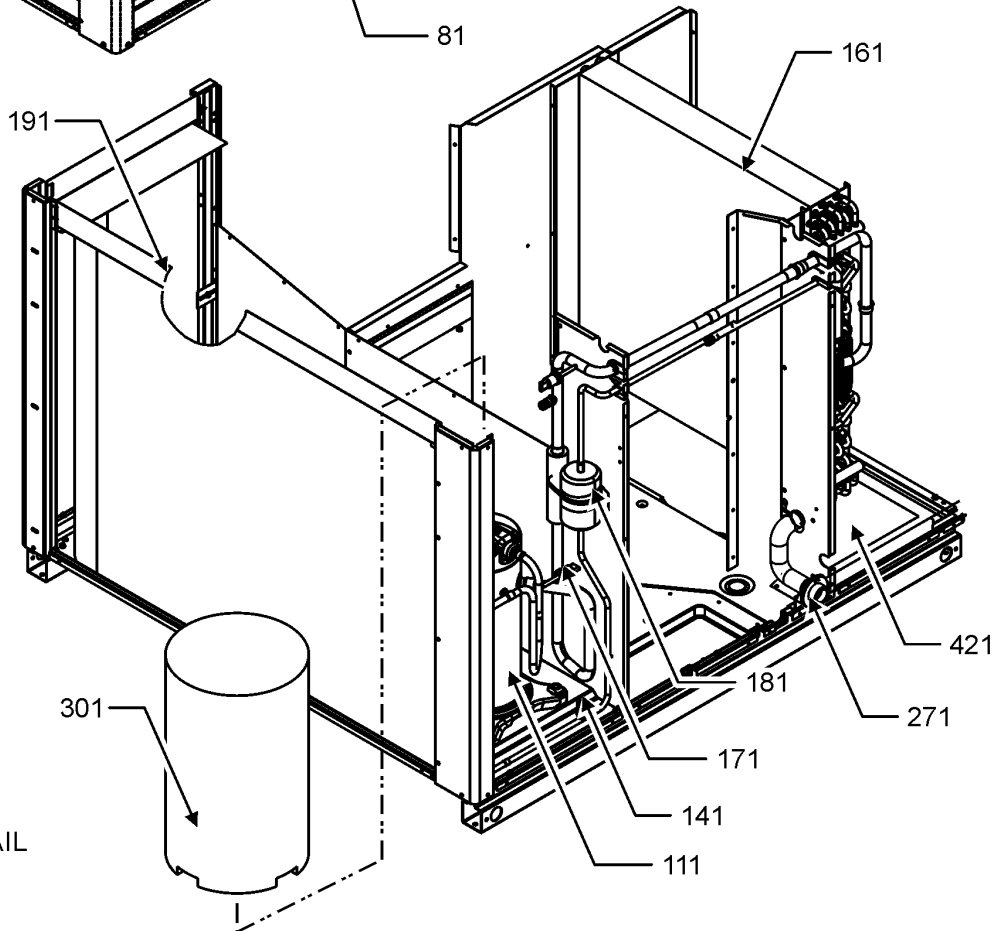
PARTITION ASSEMBLY



PARTITION PANEL
REFERENCE ONLY

TUBING ASSEMBLY

TUBING ASSEMBLY
MAY DIFFER FROM
WHAT IS SHOWN



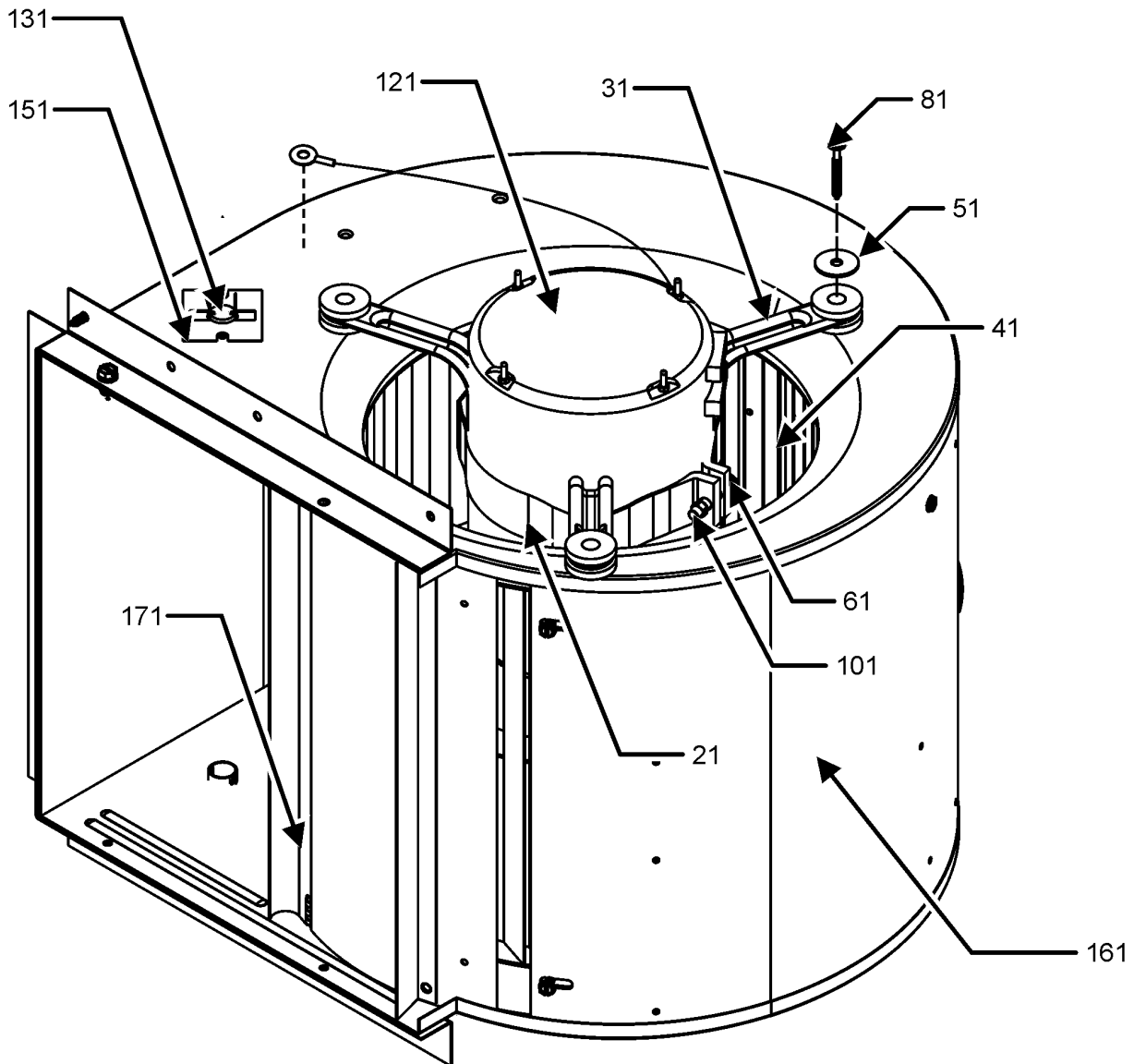
COMPRESSOR LEG DETAIL

Partition and Tubing Assembly

Ref. Part No:	Ref. Part No:	Description:	Description:	
Image 1:		Image 1:		
11	20472501	SHIELD-HT TUBES	NS 0159G00015 HARNESS-COMP SCROLL (M4, M5, M6, M7, M8)	
21	20465304	DIVIDER-BLOWER 32 10X9 (M1, M2, M3)	NS B1810011 HOSE CLAMP 1.25 (QTY 2)	
21	20465302	DIVIDER-BLOWER 38 (M4, M5, M6, M7, M8, M9, M10, M11)	NS 0151M00075 VALVE-TXV R410A (M9, M10, M11)	
31	0121G00894	PANEL FILLER HT EXCH 32 (M1, M2, M3)	NS 0259G00117 WIRE HARNESS-FAN (M9, M10, M11)	
31	0121G00895	PANEL FILLER HT EXCH 40 (M4, M5, M6, M7, M8, M9, M10, M11)	Expanded Model Nomenclature	
41	0121G00757	DIVIDER, EVAP/HT EXCH 32 (M1, M2, M3)	M1 - DP14GM3604041CA	
41	0121G00758	DIVIDER, EVAP/HT EXCH 38 (M4, M5, M6, M7, M8, M9, M10, M11)	M2 - DP14GM3606041CA	
51	20465701	FAN PARTITION SHELF	M3 - DP14GM3608041CA	
61	20465801	SURROUND-FAN 32 (M1, M2, M3)	M4 - DP14GM4206041CA	
61	20465802	SURROUND-FAN 40 (M4, M5, M6, M7, M8, M9, M10, M11)	M5 - DP14GM4208041CA	
71	20498302	TUBE-DRAIN 32 (M1, M2, M3)	M6 - DP14GM4806041CA	
71	20498301	TUBE-DRAIN 40 (M4, M5, M6, M7, M8, M9, M10, M11)	M7 - DP14GM4808041CA	
81	20463802	BLOCK-EVAP/BPAN 32 (M1, M2, M3)	M8 - DP14GM4810041CA	
81	20463801	BLOCK-EVAP/BPAN 40 (M4, M5, M6, M7, M8, M9, M10, M11)	M9 - DP14GM6108041CA	
91	0121G00555	DRAIN CHANNEL, SUCTION TUBE	M10 - DP14GM6110041CA	
111	ZPS49K6EPFV130	COMP 49000,208/230/60/1 (M9, M10, M11)	M11 - DP14GM6112041CA	
111	ZP40K6EPFV120	COMP, 53700, 208/230/60/1 (M6, M7, M8)		
111	ZP29K5EPFV130	COMP,29000,208/230/60/1 (M1, M2, M3)		
111	ZP34K5EPFV130	COMP,34500,208/230/60/1 (M4, M5)		
141	B1373315	ACCESS FITTING (QTY 2)		
161	0202G00722	COIL TUBING ASSY (M9, M10, M11)		
161	0202G00746	COIL TUBING ASSY (M1, M2, M3)		
161	0202G00747	COIL TUBING ASSY (M4, M5)		
161	0202G00748	COIL TUBING ASSY (M6, M7, M8)		
171	0130M00074	HIGH PRESSURE SWITCH		
181	0162G00007	SINGLE-FLOW FILTER DRIER,STL		
191	0201G00463	COND COIL ASSY (M4, M5)		
191	0201G00262	CONDENSER COIL ASSY (M1, M2, M3)		
191	0201G00369	CONDENSER COIL ASSY (M6, M7, M8, M9, M10, M11)		
241	M0221641	SCREW-SHOULDER TF (QTY 4)		
251	B1339533	COMPRESSOR GROMMET (QTY 4)		
271	20513001	EVAP DRAIN FITTING		
301	0160M00039	COMPRESSOR BLANKET		
421	20464901DF	DRAIN PAN-EVAP COIL		
NS	B1373311	ACCESS VALVE FITTING (M9, M10, M11)		
NS	0259G00209	BLOWER HARNESS (M1, M2, M3)		
NS	0159G00001	CABLE COMP SCROLL (M9, M10, M11)		
NS	0163M00175	CAP WITH O-RING (QTY 2)		
NS	0164M00111	GROMMET D (M9, M10, M11)		
NS	0164M00023	GROMMET-HORSESHOE (M6, M7, M8, M9, M10, M11)		
NS	0164M00110	GROMMET-HORSESHOE (M1, M2, M3, M4, M5)		
NS	20333401	GROMMET-HORSESHOE		
NS	20333501	GROMMET-HORSESHOE		
NS	20477501	GROMMET-HORSESHOE		
NS	0259G00023	HARNESS, BLOWER (M4, M5, M6, M7, M8)		
NS	0159G00005	HARNESS-COMP SCROLL (M9, M10, M11)		
NS	0159G00014	HARNESS-COMP SCROLL (M1, M2, M3)		

Blower Assembly

BLOWER ASSEMBLY



BLOWER ASSEMBLY MAY DIFFER FROM WHAT IS SHOWN

Blower Assembly

Ref. Part No:	No:	Description:	Ref. Part No:	No:	Description:
Image 1:					
21	0121M00038	MOTOR MOUNT BAND			
31	B1376857	MOTOR MOUNT ARM (QTY 3)			
41	B1368000	BLOWER WHEEL (11 X 10) (M4, M5, M6, M7, M8, M9, M10, M11)			
41	D6723303	WHEEL-BLOWER (M1, M2, M3)			
51	B1392918	WASHER FLAT 1/4 ID X 1 OD (QTY 3)			
61	B1393323	SCREW,MACHI HWH 1/4-20X1 1/2 BZ			
81	M0250565	TC SCREW 1.25" (QTY 3)			
101	B1393800	LOCKNUT, NYLON, INSERT 1/4, 20			
121	0131M00747M	CONTROLLERLESS MOTOR (M4, M5, M6, M7, M8)			
121	0131M00749M	CONTROLLERLESS MOTOR (M9, M10, M11)			
121	0131M00750M	CONTROLLERLESS MOTOR (M1, M2, M3)			
121	0131G00021	PROGRAMMED CONTROLLER (M9)			
121	0131G00055	PROGRAMMED CONTROLLER (M10)			
121	0131G00094	PROGRAMMED CONTROLLER (M11)			
121	0131G00119	PROGRAMMED CONTROLLER (M1, M2, M3)			
121	0131G00120	PROGRAMMED CONTROLLER (M4, M5)			
121	0131G00121	PROGRAMMED CONTROLLER (M6, M7, M8)			
131	20269903	LIMIT			
151	2509503	BRACKET F/ROLLOUT SWUT SWITCH			
161	0271G00024	BLOWER HOUSING ASSY (10X9) (M1, M2, M3)			
161	2539309	BLOWER HOUSING ASSY (11X10) (M4, M5, M6, M7, M8, M9, M10, M11)			
171	764742	BLOCK OFF - BLOWER (M1, M2, M3)			
171	1864703	BLOWER CUT-OFF ASM,5TON,MORRIS (M4, M5, M6, M7, M8, M9, M10, M11)			
NS	0121G00148	SINGLE COVER, DOWN DISCHARGE (QTY 2)			

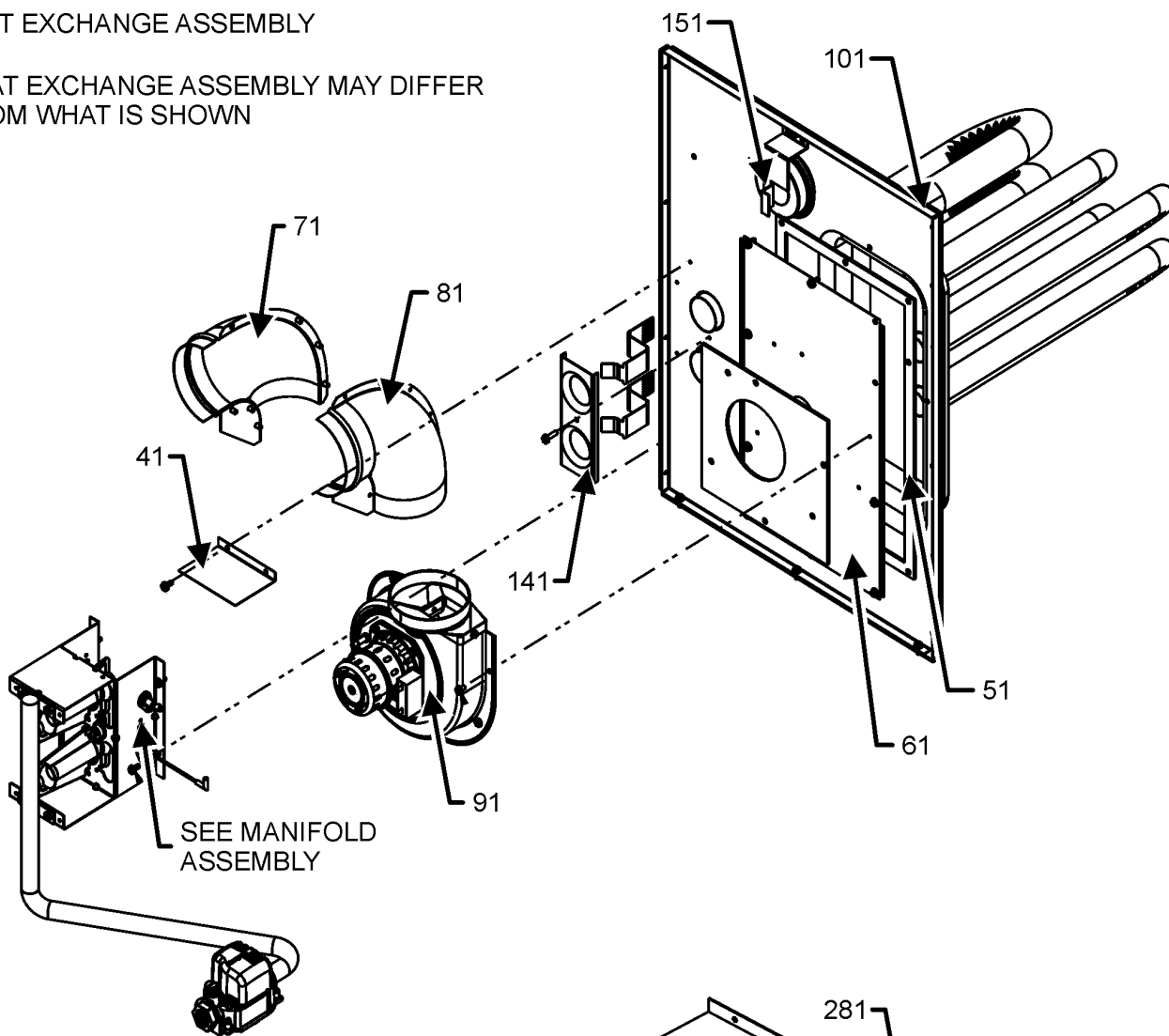
Expanded Model Nomenclature

M1 - DP14GM3604041CA
M2 - DP14GM3606041CA
M3 - DP14GM3608041CA
M4 - DP14GM4206041CA
M5 - DP14GM4208041CA
M6 - DP14GM4806041CA
M7 - DP14GM4808041CA
M8 - DP14GM4810041CA
M9 - DP14GM6108041CA
M10 - DP14GM6110041CA
M11 - DP14GM6112041CA

Heat Exchange and Manifold Assembly

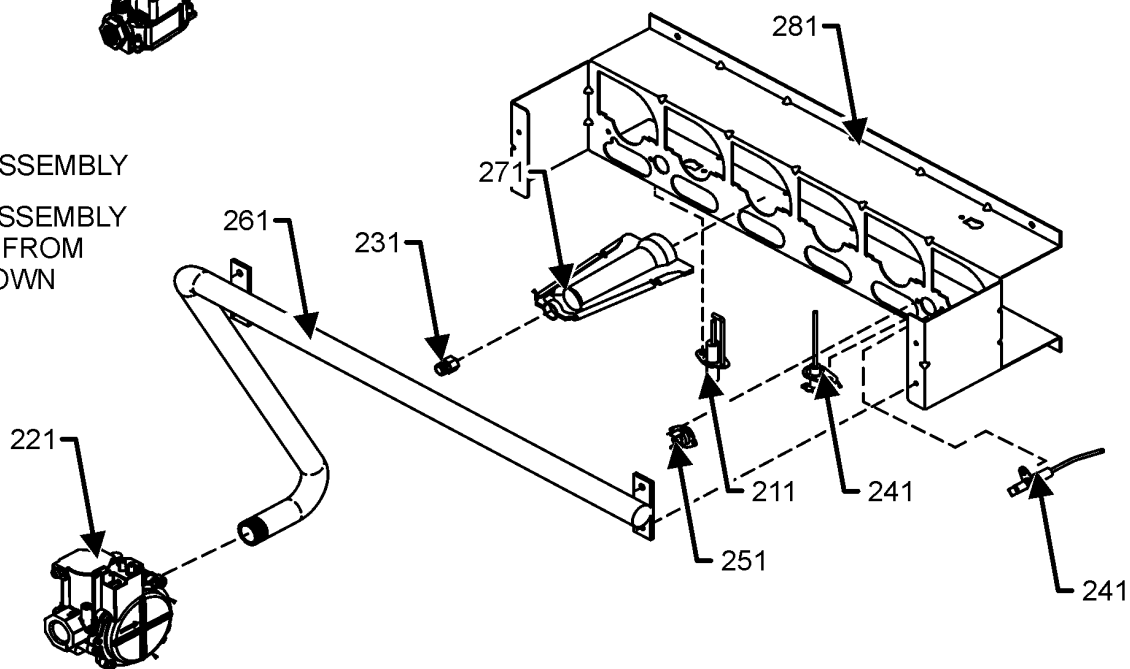
HEAT EXCHANGE ASSEMBLY

HEAT EXCHANGE ASSEMBLY MAY DIFFER FROM WHAT IS SHOWN



MANIFOLD ASSEMBLY

MANIFOLD ASSEMBLY MAY DIFFER FROM WHAT IS SHOWN

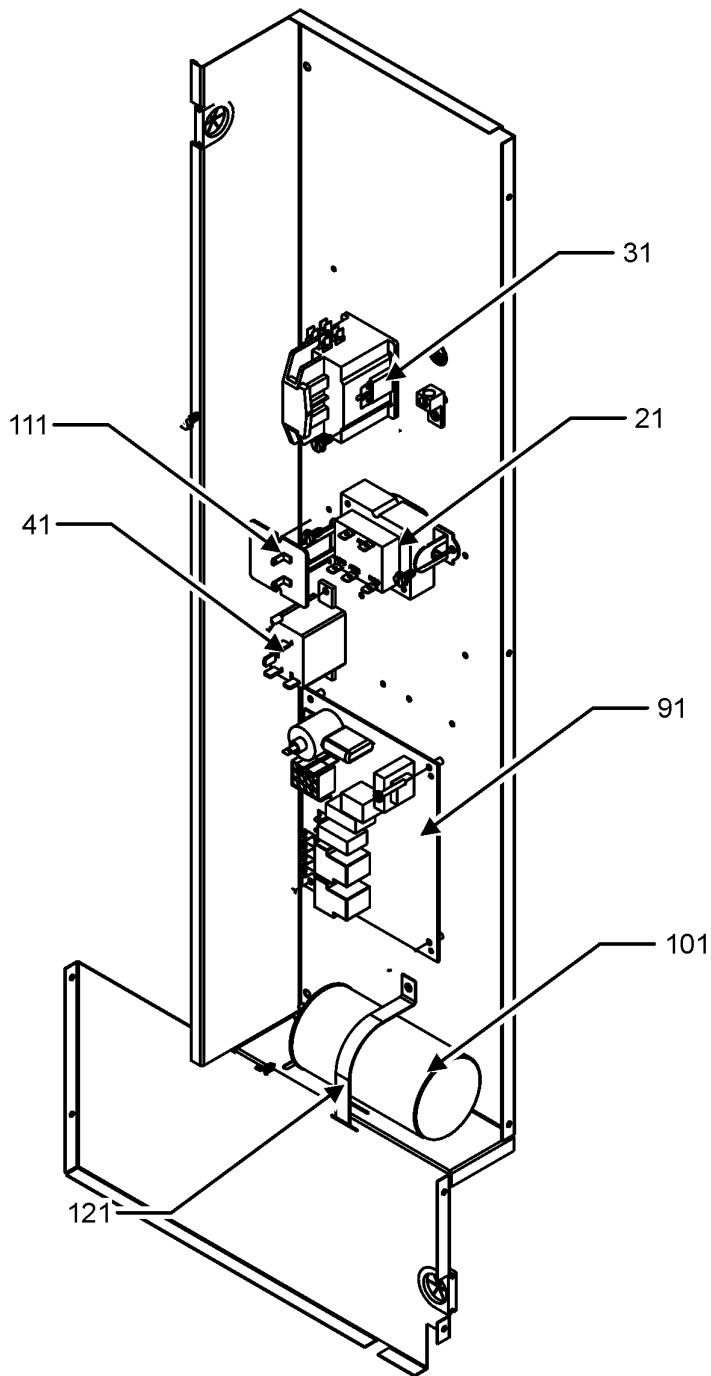


Heat Exchange and Manifold Assembly

Ref. Part No:	Part No:	Description:	Ref. Part No:	Part No:	Description:
Image 1:			Expanded Model Nomenclature		
41	11190202	DEFLECTOR HEAT PKG	M1	DP14GM3604041CA	
51	0154G00020	GASKET-ID BLOWER & PLATE (M1, M2, M3)	M2	DP14GM3606041CA	
51	0154G00021	GASKET-ID BLOWER & PLATE (M4, M5, M6, M7, M8, M9, M10, M11)	M3	DP14GM3608041CA	
61	0121G00739	PLATE-ID BLOWER (M1)	M4	DP14GM4206041CA	
61	0121G00740	PLATE-ID BLOWER (M2)	M5	DP14GM4208041CA	
61	0121G00741	PLATE-ID BLOWER (M3)	M6	DP14GM4806041CA	
61	0121G00742	PLATE-ID BLOWER (M8)	M7	DP14GM4808041CA	
61	0121G00743	PLATE-ID BLOWER (M10)	M8	DP14GM4810041CA	
61	0121G00744	PLATE-ID BLOWER (M4, M6)	M9	DP14GM6108041CA	
61	0121G00745	PLATE-ID BLOWER (M5, M7, M9)	M10	DP14GM6110041CA	
71	0121G00746	PLATE-ID BLOWER (M11)	M11	DP14GM6112041CA	
81	20484402	FLUE ELBOW RIGHT			
91	0131G00000P	BLOWER-ID (M1, M2, M3, M4, M5, M6, M7, M8)			
91	0131G00001	BLOWER-ID (M9, M10, M11)			
101	20490715	ASSY, PART/TUBE (M1)			
101	20490717	ASSY, PART/TUBE (M4, M6)			
101	20490718	ASSY, PART/TUBE (M11)			
101	20490710	PART/TUBE ASSY 3B (M2)			
101	20490711	PART/TUBE ASSY 4B (M3)			
101	20490712	PART/TUBE ASSY 4B (M5, M7, M9)			
101	20490713	PART/TUBE ASSY 5B (M8, M10)			
141	11072201	SHIELD-ORF CO FUR (M1)			
141	11072202	SHIELD-ORF CO FUR (M2, M4, M6)			
141	11072203	SHIELD-ORF CO FUR (M3, M5, M7, M9)			
141	11072204	SHIELD-ORF CO FUR (M8, M10)			
141	11072205	SHIELD-ORF CO FUR (M11)			
151	11112501	PRESSURE SWITCH			
211	0130F00014	IGNITOR			
221	0151M00037	GAS VALVE (M1, M2, M3, M4, M5, M6, M7, M8)			
231	10716005	ORIFICE (QTY 2)			
241	0130F00010	FLAME SENSOR			
251	10123532	LIMIT-RESET MAN-GRAY (M1, M2, M3, M4, M5, M6, M7, M8)			
251	10123529	LIMIT-RESET MAN-GREEN (M9, M10, M11)			
261	20493103	MANIFOLD- 3 BRNR 32 (M2)			
261	20493104	MANIFOLD- 4 BRNR 32 (M3)			
261	20493105	MANIFOLD- 4 BRNR 38 (M5, M7, M9)			
261	20493106	MANIFOLD- 5 BRNR 38 (M8, M10)			
261	20493107	MANIFOLD- 6 BRNR 38 (M11)			
261	0121M00035P	MANIFOLD-2 BURNER (M1)			
261	0121M00036P	MANIFOLD-3 BURNER (M4, M6)			
271	0163F00017	BECKETT BURNER (QTY 2)			
281	20190410	BRKT-BURNER 2B FUR (M1)			
281	0121L02164	BRKT-BURNER 3B FUR (M2, M4, M6)			
281	20190412	BRKT-BURNER 4B FUR (M3, M5, M7, M9)			
281	20190413	BRKT-BURNER 5B FUR (M8, M10)			
281	0121G00886	BURNER BRACKET, 6 (M11)			
NS	0154G00011	ELBOW FLUE GASKET			
NS	0154G00013	ELBOW FLUE GASKET			

Control Panel

CONTROL BOX ASSEMBLY



CONTROL BOX ASSEMBLY
MAY DIFFER FROM WHAT
IS SHOWN

Control Panel

Ref. Part No:	Part No:	Description:	Ref. Part No:	Part No:	Description:
---------------	----------	--------------	---------------	----------	--------------

Image 1:

21	0130M00138	TRANSFORMER, 208/230, 24V
31	CONT1P030024V	CONT, 1 POLE, 30 AMP, 24 VAC (M1, M2, M3, M4, M5, M6, M7, M8)
31	CONT2P040024V	CONT, 2 POLE, 40 AMP, 24 VAC (M9, M10, M11)
41	B1370751	RELAY 24V (M1, M2, M3, M4, M5, M6, M7, M8)
91	PCBAG127	PCB, IGNITION, DSI, 2 STG (M9, M10, M11)
91	PCBAG123	PCB, IGNITION, DSI, INTEG (M1, M2, M3, M4, M5, M6, M7, M8)
101	CAP100450440CS	CAP, 10/45 MFD/ 440V DUAL RD (M9, M10, M11)
101	CAP100450440CS	CAP, 10/45 MFD/ 440V DUAL RD (M9, M10, M11)
101	CAP050450440CT	CAP, 5/45 MFD/440V/DUAL RD (M1, M2, M3, M4, M5)
111	10728342	LIMIT SWITCH (M1, M2, M3)
111	10728343	LIMIT SWITCH (M9, M10, M11)
111	10728344	LIMIT SWITCH (M4, M5, M6, M7, M8)
121	20520901	CAPACITOR STRAP
NS	0259G00209	BLOWER-HARNESS, SM (M1, M2, M3)
NS	0259G00207	CONTROL HARNESS, SM (M1, M2, M3)
NS	0259G00023	HARNESS, BLOWER (M4, M5, M6, M7, M8)
NS	0259G00083	HARNESS-CONTROL (M4, M5, M6, M7, M8)
NS	0259G00192	WIRE HARNESS - 6 CIRCUIT (M9, M10, M11)
NS	0259G00044	WIRE HARNESS-9 CIRCUIT (M9, M10, M11)
NS	0259G00117	WIRE HARNESS-FAN (M9, M10, M11)

Expanded Model Nomenclature

M1 - DP14GM3604041CA
M2 - DP14GM3606041CA
M3 - DP14GM3608041CA
M4 - DP14GM4206041CA
M5 - DP14GM4208041CA
M6 - DP14GM4806041CA
M7 - DP14GM4808041CA
M8 - DP14GM4810041CA
M9 - DP14GM6108041CA
M10 - DP14GM6110041CA
M11 - DP14GM6112041CA