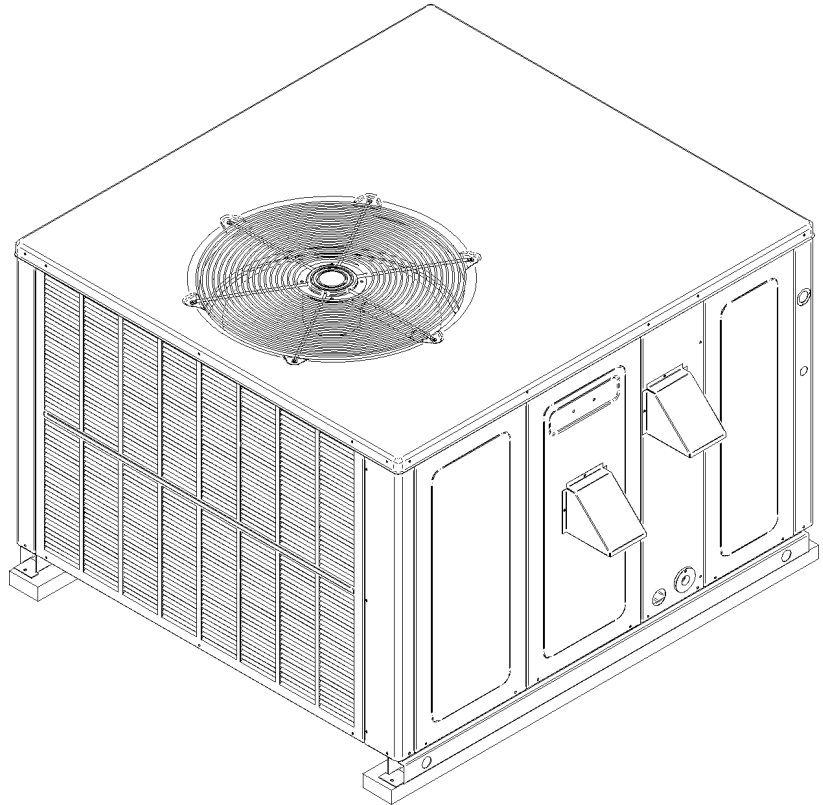


## DP14DM Dual Fuel Package Unit

DP14DM2406041AA  
DP14DM2407041AA  
DP14DM2407041CA  
DP14DM3008041AA  
DP14DM3009041AA  
DP14DM3009041CA  
DP14DM3608041AA  
DP14DM3608041AB  
DP14DM3609041AA  
DP14DM3609041CA  
DP14DM4210041AA  
DP14DM4211541AA  
DP14DM4211541CA  
DP14DM4810041AA  
DP14DM4811541AA  
DP14DM4811541CA



This manual is to be used by qualified technicians only.

This manual replaces RP-D3010C.

# Important Information

---

## Index

Functional Parts List .....	3
Illustration and Parts .....	4 - 15

*Views shown are for parts illustrations only, not servicing procedures*

### Text Codes:

AR - As Required

NA - Not Available

NS - Not Shown

00000000 - See Note

QTY - Quantity Example (QTY 3) (If Quantity not shown, Quantity = 1)

M - Model Example (M1) (If M Code not shown, then part is used on all Models)

### Expanded Model Nomenclature:

Example M1 - Model#1 M2 - Model#2 M3 - Model#3
---

Daikin Company, L.P. is not responsible for personal injury or property damage resulting from improper service. Review all service information before beginning repairs.

Warranty service must be performed by an authorized technician, using authorized factory parts. If service is required after the warranty expires, Daikin Company, L.P. also recommends contacting an authorized technician and using authorized factory parts.

Daikin Company, L.P. reserves the right to discontinue, or change at any time, specifications or designs without notice or without incurring obligations.

For assistance within the U.S.A. contact:

Consumer Affairs Department  
Daikin North America, LLC  
7401 Security Way  
Houston, Texas 77040  
855-770-5678-Telephone  
713-863-2382-Facsimile

For assistance outside the U.S.A. contact:

International Division  
Daikin North America, LLC  
7401 Security Way  
Houston, Texas 77040  
713-861-2500-Telephone  
713-863-2382-Facsimile

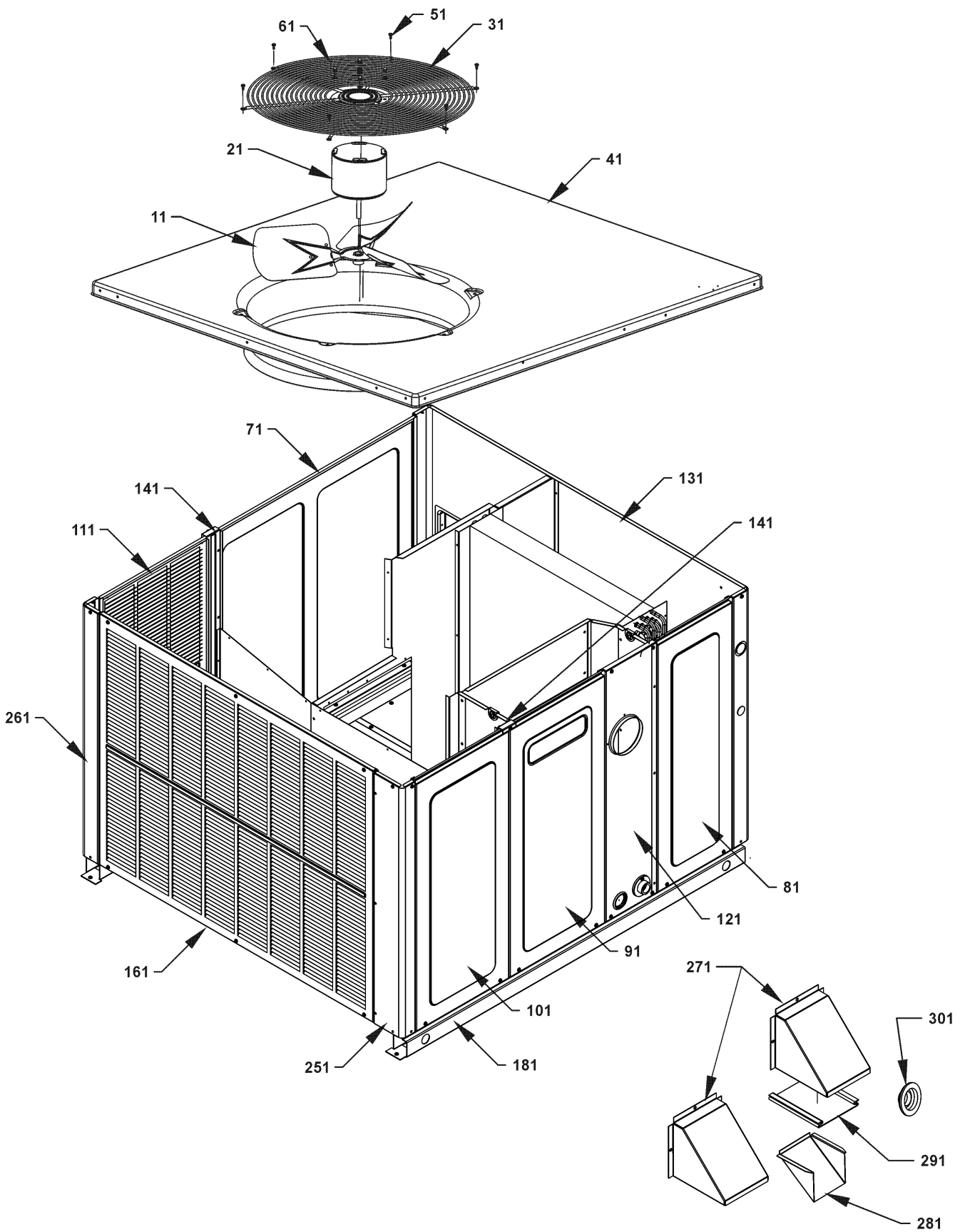
# Functional Parts

## Part

## No: Description:

Part No:	Description:	Part No:	Description:
0130M00025	24V RELAY	PCBAG127	PCB, IGNITION, DSI, 2 STG
20269903	AUXILIARY LIMIT, AUTO RESET	11112501	PRESSURE SWITCH
0163F00017	BECKETT BURNER (M1, M4, M7, M8, M11, M14)	0131M00441	PROGRAMMED MOTOR (M15)
10735102	BECKETT BURNER (M2, M3, M5, M6, M9, M10, M12, M13, M15, M16)	0131M00715	PROGRAMMED MOTOR
D6723303	BLOWER WHEEL (M4, M5, M6, M7, M8, M9, M10)	0131M00434	PROGRAMMED MOTOR (M2, M3)
B1368058	BLOWER WHEEL 10 X 8 (M1, M2, M3)	0131M00440	PROGRAMMED MOTOR (M12, M13)
B1368000	BLOWER WHEEL 11 X 10 (M11, M12, M13, M14, M15, M16)	0131M00594	PROGRAMMED MOTOR (M9, M10)
CAP050400440CT	CAPACITOR 5/40/440V/DUAL RD (M1, M2, M3, M4, M5, M6)	0131M00687	PROGRAMMED MOTOR (M1)
CAP050450440CT	CAPACITOR 5/45/440V/DUAL RD (M7, M8, M9, M10, M11, M12, M13, M14, M15, M16)	0131M00688	PROGRAMMED MOTOR (M4)
ZP29K5EPFV130	COMP,29000,208/230/60/1 (M7, M9, M10)	0131M00689	PROGRAMMED MOTOR (M7, M8)
ZP31K6EPFV130	COMP,42500,208/230/60/1 (M8)	0131M00690	PROGRAMMED MOTOR (M11)
ZP21K5EPFV130	COMPRESSOR 21300, 208/230/60/1 (M1, M2, M3)	0131M00714	PROGRAMMED MOTOR (M5, M6)
ZP25K5EPFV130	COMPRESSOR 25200, 208/230/60/1 (M4, M5, M6)	0131M00740	PROGRAMMED MOTOR (M14)
ZP34K5EPFV130	COMPRESSOR 34500, 208/230/60/1 (M11, M12, M13)	0131M00691	PROGRAMMED MOTOR (M16)
ZP39K5EPFV130	COMPRESSOR 39000, 208/230/60/1 (M14, M15, M16)	0151R00071	REVERSING VALVE (M11, M12, M13, M14, M15, M16)
0131M00061	COND MOTOR 1/4 HP, 1 SP, 8 PL (M4, M5, M6, M7, M8, M9, M10)	0151R00069	REVERSING VALVE (M1, M2, M3, M4, M5, M6, M7, M8, M9, M10)
0131M00429	COND MOTOR 1/4 HP, 1 SP,6 PL (M11, M12, M13, M14, M15, M16)	B1225022	SOLENOID COIL
0131M00009P	COND MOTOR 1/6 HP, 1 SP, 8 PL (M1, M2, M3)	0130M00138	TRANSFORMER 208/230, 24V
CONT1P025024V	CONTACTOR 25 AMP, 1P, 24V (M1, M2, M3, M4, M5, M6, M7, M8, M9, M10)	<b>Expanded Model Nomenclature</b>	
CONT1P030024V	CONTACTOR 30 AMP, 1P, 24V (M11, M12, M13, M14, M15, M16)	M1 - DP14DM2406041AA	
0130M00101	CONTROL, DEFROST (M11, M12, M13, M14, M15, M16)	M2 - DP14DM2407041AA	
0130M00099	CONTROL, DEFROST (M1, M2, M3, M4, M5, M6, M7, M8, M9, M10)	M3 - DP14DM2407041CA	
0230G00005	CRANKCASE HEATER SWITCH (M11, M12, M13)	M4 - DP14DM3008041AA	
0130M00074	CUT-OUT SWITCH, HIGH PRESSURE	M5 - DP14DM3009041AA	
0130M00075	CUT-OUT SWITCH, LOW PRESSURE	M6 - DP14DM3009041CA	
PCBDM133	DEFROST CONTROL BOARD	M7 - DP14DM3608041AA	
0130M00106	DISC THERMOSTAT CRNKCS HTR SW (M11, M12, M13)	M8 - DP14DM3608041AB	
B1086773	FAN BLADE 22" (M1, M2, M3)	M9 - DP14DM3609041AA	
0150G00002	FAN BLADE SWEPT-WING (M4, M5, M6, M7, M8, M9, M10)	M10 - DP14DM3609041CA	
0150G00003	FAN BLADE SWEPT-WING (M11, M12, M13, M14, M15, M16)	M11 - DP14DM4210041AA	
0130F00010	FLAME SENSOR	M12 - DP14DM4211541AA	
0151F00000P	GAS VALVE - WHITE-RODGERS 2-STAGE	M13 - DP14DM4211541CA	
0163R00003	HEATER, CRANKCASE 230V 40W (M11, M12, M13)	M14 - DP14DM4810041AA	
0130F00014	IGNITOR	M15 - DP14DM4811541AA	
10728342	LIMIT SWITCH (M4, M7, M8)	M16 - DP14DM4811541CA	
10728344	LIMIT SWITCH (M11, M12, M13, M14, M15, M16)		
10728343	LIMIT SWITCH (M1, M2, M3, M5, M6, M9, M10)		
10123532	MANUAL RESET LIMIT 350°F (M4, M7, M8, M11, M14)		
10123529	MANUAL RESET LIMIT-GREEN (M1, M2, M3, M5, M6, M9, M10, M12, M13, M15, M16)		

# Top Panel/Fan/Cabinet



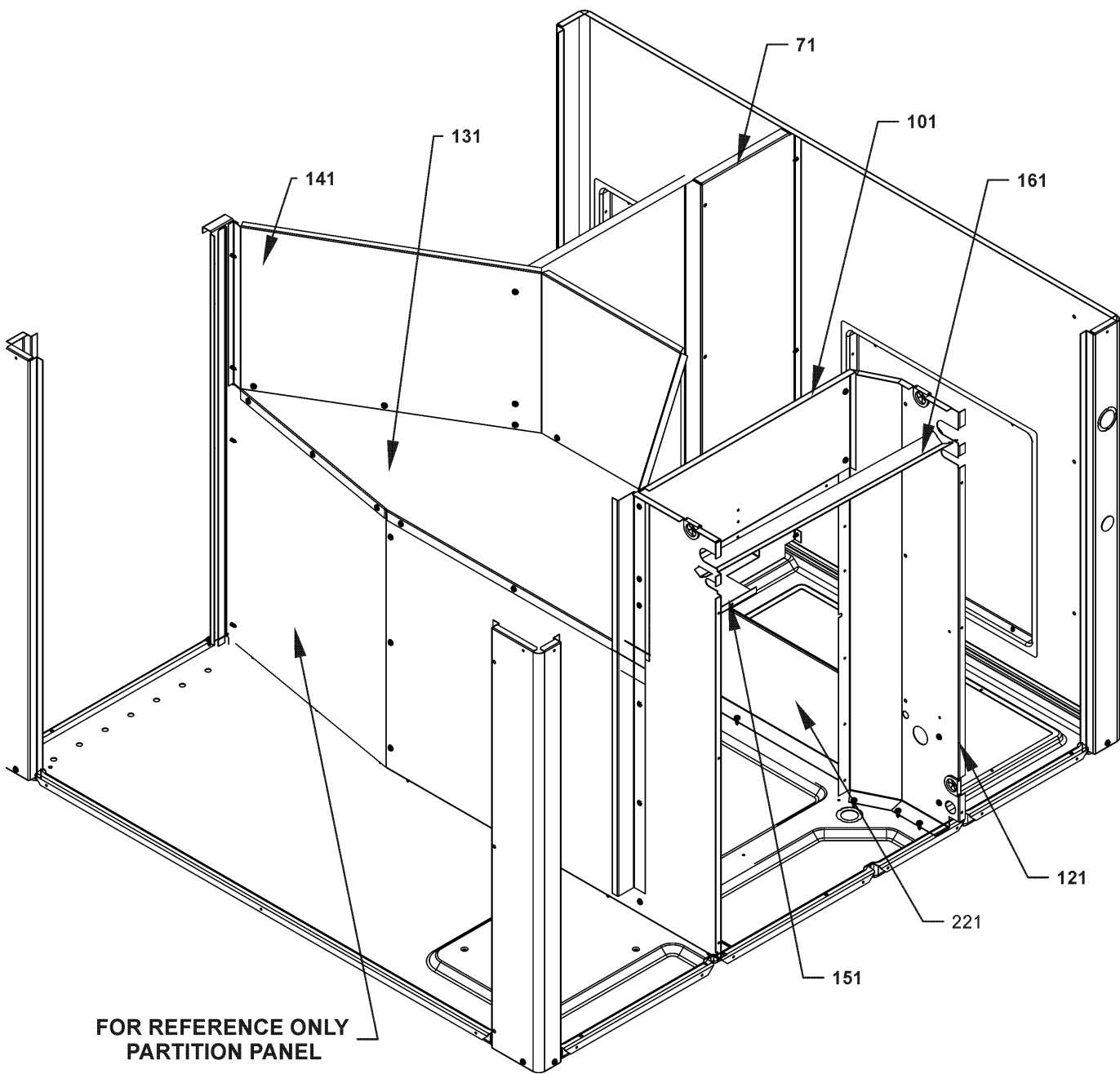
# Top Panel/Fan/Cabinet

Ref. Part No:	Ref. Part No:	Description:	Description:
<b>Image 1:</b>		<b>Image 1:</b>	
11	B1086773	FAN BLADE 22" (M1, M2, M3)	261 20464302NG CORNER POST-HAIRPIN END 40" (M11, M12, M13, M14, M15, M16)
11	0150G00002	FAN BLADE SWEPT-WING (M4, M5, M6, M7, M8, M9, M10)	271 0121G00323 FLUE HOOD (QTY 2)
11	0150G00003	FAN BLADE SWEPT-WING (M11, M12, M13, M14, M15, M16)	281 0121G00190 FLUE HOOD-LOWER
21	0131M00061	COND MOTOR 1/4 HP, 1 SP, 8 PL (M4, M5, M6, M7, M8, M9, M10)	291 20472601 SCREEN-FLUE HOOD
21	0131M00429	COND MOTOR 1/4 HP, 1 SP, 6 PL (M11, M12, M13, M14, M15, M16)	301 B1910012 GAS LINE GROMMET
21	0131M00009P	COND MOTOR 1/6 HP, 1 SP, 8 PL (M1, M2, M3)	NS B1373315 ACCESS FITTING (QTY 2)
31	0152G00003	FAN GRILLE	NS 0163M00175 CAP WITH O-RING (QTY 2)
41	0121G00156NG	TOP PANEL	NS 17788000083F PVC CONDUIT 8.25"
51	M0221817	SMALL SCREW (QTY 8)	NS 0163M00005P WASHER, BLACK (.50 OD .218ID) (QTY 4)
61	0163M00006P	ACORN NUT 5/16 HEX BLACK (QTY 4)	NS 0259G00106 WIRE HARNESS, FAN MOTOR (M1, M2, M3, M11, M12, M13, M14, M15, M16)
71	20464801NG	BLOWER DOOR 32" (M1, M2, M3, M4, M5, M6, M7, M8, M9, M10)	NS 0259G00107 WIRE HARNESS, FAN MOTOR (M4, M5, M6, M7, M8, M9, M10)
71	20464806NG	BLOWER DOOR 40" (M11, M12, M13, M14, M15, M16)	
81	20464802NG	EVAP/CONTROL DOOR 32" (M1, M2, M3, M4, M5, M6, M7, M8, M9, M10)	
81	20464807NG	EVAP/CONTROL DOOR 40" (M11, M12, M13, M14, M15, M16)	
91	0121G00526NG	HT EXCHANGE DOOR 32" (M1, M2, M3, M4, M5, M6, M7, M8, M9, M10)	
91	0121G00527NG	HT EXCHANGE DOOR 38" (M11, M12, M13, M14, M15, M16)	
101	20464804NG	COMPRESSOR DOOR 32" (M1, M2, M3, M4, M5, M6, M7, M8, M9, M10)	
101	20464809NG	COMPRESSOR DOOR 40" (M11, M12, M13, M14, M15, M16)	
111	20467701NG	LOUVERED PANEL, COND SIDE 32" (M1, M2, M3, M4, M5, M6, M7, M8, M9, M10)	
111	20467702NG	LOUVERED PANEL, COND SIDE 40" (M11, M12, M13, M14, M15, M16)	
121	20466101NG	UTILITY PANEL 32" (M1, M2, M3, M4, M5, M6, M7, M8, M9, M10)	
121	20466102NG	UTILITY PANEL 40" (M11, M12, M13, M14, M15, M16)	
131	0121G00673NG	PNL, DUCT, GAS 32.5" (M1, M2, M3, M4, M5, M6, M7, M8, M9, M10)	
131	0121G00674NG	PNL, DUCT, GAS 40" (M11, M12, M13, M14, M15, M16)	
141	0121G00460	SUPPORT POST 32" (M1, M2, M3, M4, M5, M6, M7, M8, M9, M10)	
141	0121G00462	SUPPORT POST 40" (M11, M12, M13, M14, M15, M16)	
161	20464401NG	LOUVERED PANEL, COND SIDE 32" (M1, M2, M3, M4, M5, M6, M7, M8, M9, M10)	
161	20464402NG	LOUVERED PANEL, COND SIDE 40" (M11, M12, M13, M14, M15, M16)	
181	0121G00290	BASE PAN RAIL (QTY 2)	
251	20464201NG	CORNER POST-COMP END 32" (M1, M2, M3, M4, M5, M6, M7, M8, M9, M10)	
251	20464202NG	CORNER POST-COMP END 40" (M11, M12, M13, M14, M15, M16)	
261	20464301NG	CORNER POST-HAIRPIN END 32" (M1, M2, M3, M4, M5, M6, M7, M8, M9, M10)	

**Expanded Model Nomenclature**

- M1 - DP14DM2406041AA
- M2 - DP14DM2407041AA
- M3 - DP14DM2407041CA
- M4 - DP14DM3008041AA
- M5 - DP14DM3009041AA
- M6 - DP14DM3009041CA
- M7 - DP14DM3608041AA
- M8 - DP14DM3608041AB
- M9 - DP14DM3609041AA
- M10 - DP14DM3609041CA
- M11 - DP14DM4210041AA
- M12 - DP14DM4211541AA
- M13 - DP14DM4211541CA
- M14 - DP14DM4810041AA
- M15 - DP14DM4811541AA
- M16 - DP14DM4811541CA

# Partition Panels



# Partition Panels

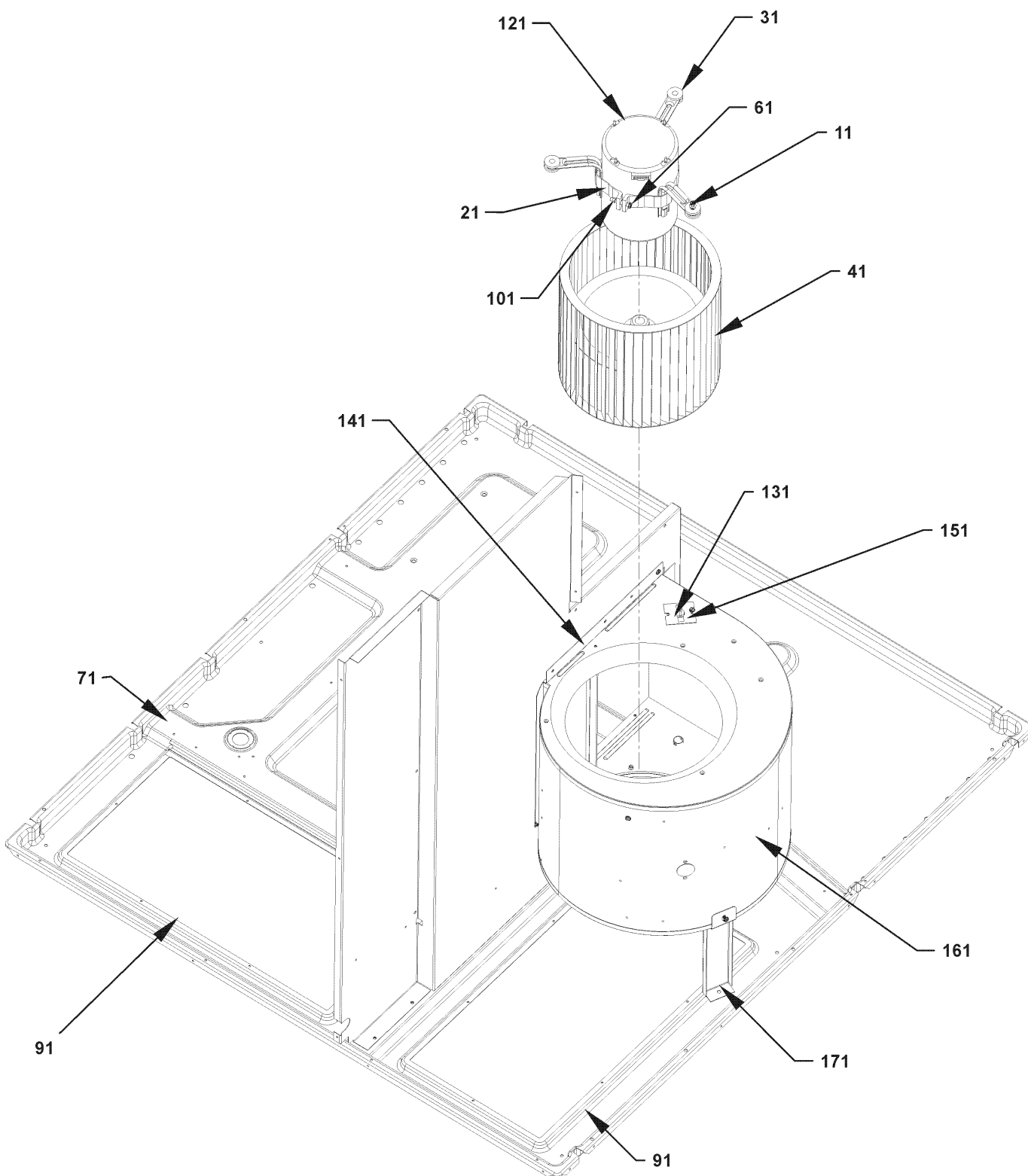
Ref. Part No:	No:	Description:	Ref. Part No:	No:	Description:
<i>Image 1:</i>					
71	20465305	BLOWER DIVIDER (M1, M2, M3)			
71	20465304	BLOWER DIVIDER 32" 10 X 9 (M4, M5, M6, M7, M8, M9, M10)			
71	20465302	BLOWER DIVIDER 38" (M11, M12, M13, M14, M15, M16)			
101	20465201	FILLER PANEL, HEAT EXCHANGER 32" (M1, M2, M3, M4, M5, M6, M7, M8, M9, M10)			
101	20465202	FILLER PANEL, HEAT EXCHANGER 40" (M11, M12, M13, M14, M15, M16)			
121	20465501	EVAP/HEAT EXCHANGER DIVIDER 32" (M1, M2, M3, M4, M5, M6, M7, M8, M9, M10)			
121	20465502	EVAP/HEAT EXCHANGER DIVIDER 38" (M11, M12, M13, M14, M15, M16)			
131	20465701	FAN PARTITION SHELF			
141	20465801	FAN SURROUND 32" (M1, M2, M3, M4, M5, M6, M7, M8, M9, M10)			
141	20465802	FAN SURROUND 40" (M11, M12, M13, M14, M15, M16)			
151	20472501	SHIELD, HEAT EXCHANGER TUBES			
161	0121G00555	DRAIN CHANNEL, SUCTION TUBE			
221	20463802	EVAP/BASEPAN BLOCK 32" (M1, M2, M3, M4, M5, M6, M7, M8, M9, M10)			
221	20463801	EVAP/BASEPAN BLOCK 40" (M11, M12, M13, M14, M15, M16)			

## Expanded Model Nomenclature

M1 - DP14DM2406041AA
M2 - DP14DM2407041AA
M3 - DP14DM2407041CA
M4 - DP14DM3008041AA
M5 - DP14DM3009041AA
M6 - DP14DM3009041CA
M7 - DP14DM3608041AA
M8 - DP14DM3608041AB
M9 - DP14DM3609041AA
M10 - DP14DM3609041CA
M11 - DP14DM4210041AA
M12 - DP14DM4211541AA
M13 - DP14DM4211541CA
M14 - DP14DM4810041AA
M15 - DP14DM4811541AA
M16 - DP14DM4811541CA

Effective July 2008 (serial codes 0807), single phase units will no longer be factory shipped with horizontal duct covers. For downshot applications, contact your local Goodman distributor.

# Basepan/Blower Assembly



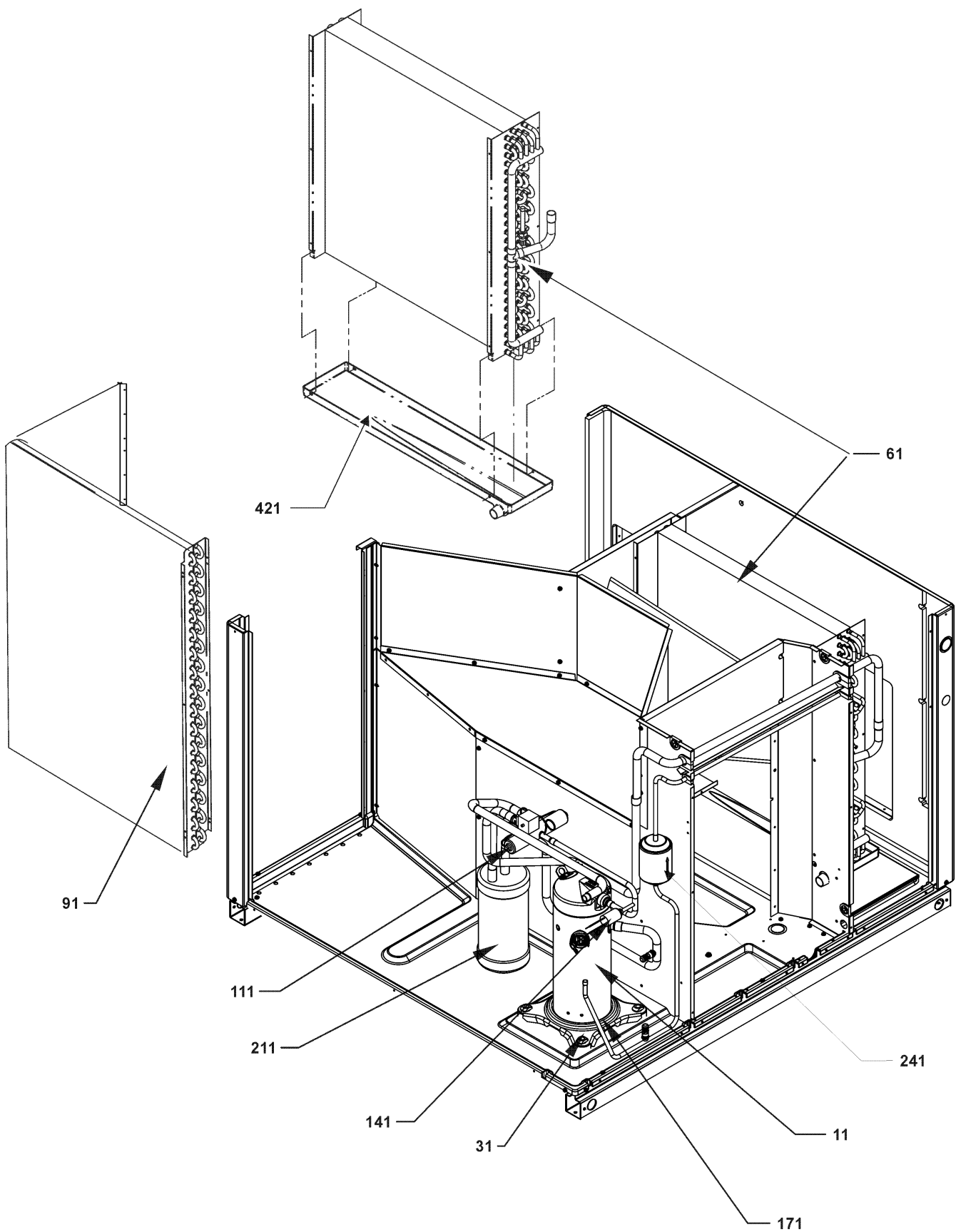
# Basepan/Blower Assembly

Ref. Part No:	Ref. Part No:	Description:	Description:
<b>Image 1:</b>			
11	M0250565	TC SCREW 1.25" (QTY 3)	
21	0121M00038	MOTOR MOUNT BAND	
31	B1376857	MOTOR MOUNT ARM (QTY 3)	
41	D6723303	BLOWER WHEEL (M4, M5, M6, M7, M8, M9, M10)	
41	B1368058	BLOWER WHEEL 10 X 8 (M1, M2, M3)	
41	B1368000	BLOWER WHEEL 11 X 10 (M11, M12, M13, M14, M15, M16)	
61	B1393323	MACHINE SCREW HWH 1/4-20 X 1-1/2 BZ	
71	0121G00444	BASEPAN, PACKAGE	
91	0121G00148	SINGLE COVER, DOWN DISCHARGE (QTY 2)	
101	B1393800	LOCKNUT, NYLON, INSERT 1/4, 20	
121	0131M00434	PROGRAMMED MOTOR (M2, M3)	
121	0131M00440	PROGRAMMED MOTOR (M12, M13)	
121	0131M00441	PROGRAMMED MOTOR (M15)	
121	0131M00594	PROGRAMMED MOTOR (M9, M10)	
121	0131M00687	PROGRAMMED MOTOR (M1)	
121	0131M00688	PROGRAMMED MOTOR (M4)	
121	0131M00689	PROGRAMMED MOTOR (M7, M8)	
121	0131M00690	PROGRAMMED MOTOR (M11)	
121	0131M00691	PROGRAMMED MOTOR (M16)	
121	0131M00714	PROGRAMMED MOTOR (M5, M6)	
121	0131M00715	PROGRAMMED MOTOR	
121	0131M00740	PROGRAMMED MOTOR (M14)	
131	20269903	AUXILIARY LIMIT, AUTO RESET	
141	764742	BLOWER BLOCK-OFF (M4, M5, M6, M7, M8, M9, M10)	
141	764740	BLOWER BLOCK-OFF 10 X 8 (M1, M2, M3)	
141	1864703F	BLOWER CUT-OFF (M11, M12, M13, M14, M15, M16)	
151	2509503F	AUXILIARY LIMIT BRACKET	
161	0271F00001P	BLOWER HOUSING ASSY 10 X 8 (M1, M2, M3)	
161	0271G00024	BLOWER HOUSING ASSY 10 X 9 (M4, M5, M6, M7, M8, M9, M10)	
161	2539309	BLOWER HOUSING ASSY 11 X 10 (M11, M12, M13, M14, M15, M16)	
171	20463701	11 X 10 BLOWER MOUNTING (M11, M12, M13, M14, M15, M16)	

## Expanded Model Nomenclature

M1 - DP14DM2406041AA
M2 - DP14DM2407041AA
M3 - DP14DM2407041CA
M4 - DP14DM3008041AA
M5 - DP14DM3009041AA
M6 - DP14DM3009041CA
M7 - DP14DM3608041AA
M8 - DP14DM3608041AB
M9 - DP14DM3609041AA
M10 - DP14DM3609041CA
M11 - DP14DM4210041AA
M12 - DP14DM4211541AA
M13 - DP14DM4211541CA
M14 - DP14DM4810041AA
M15 - DP14DM4811541AA
M16 - DP14DM4811541CA

# Compressor/Tubing Assembly



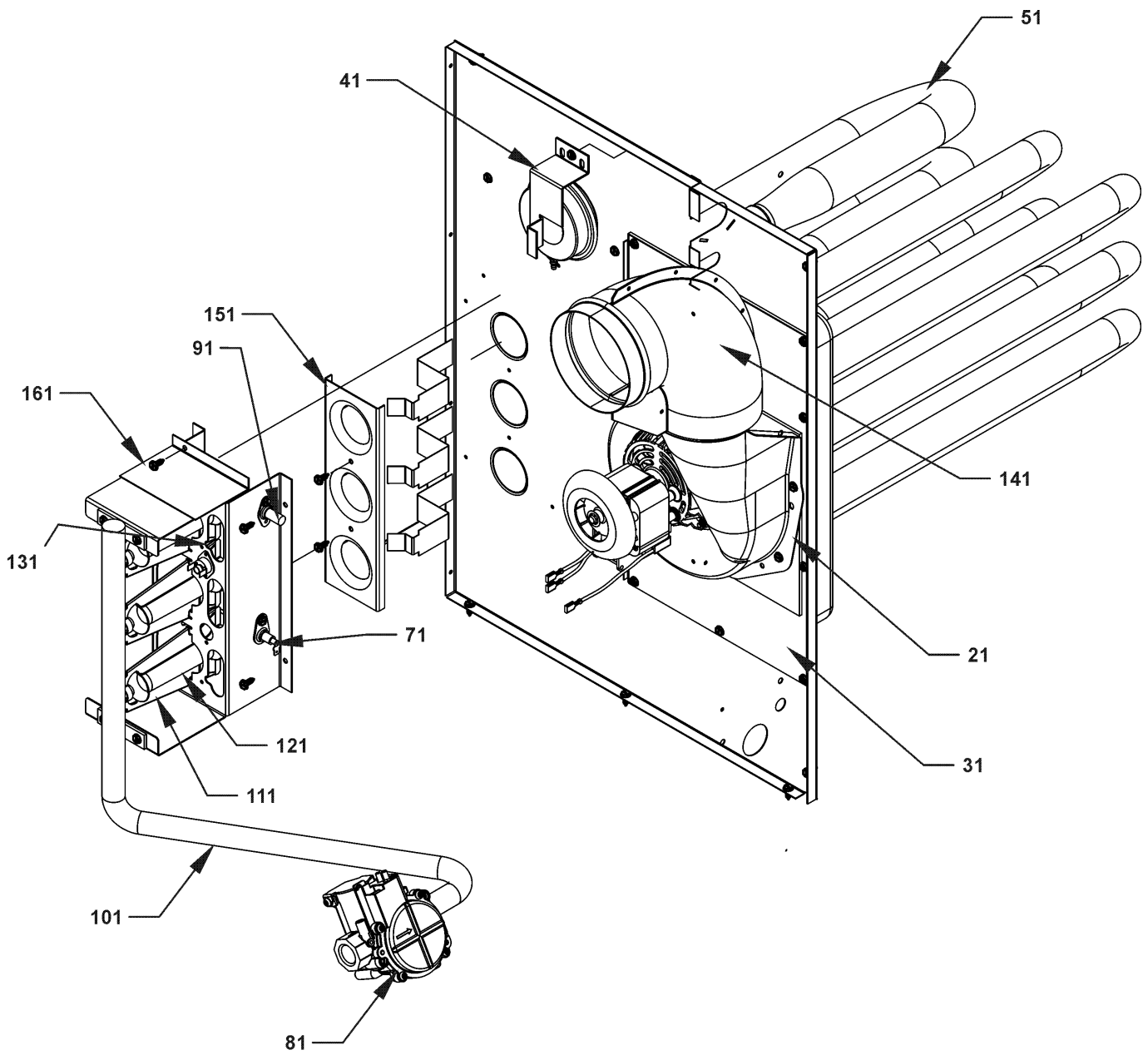
# Compressor/Tubing Assembly

Ref. Part No: No:	Description:	Ref. Part No: No:	Description:
<b>Image 1:</b>		<b>Image 1:</b>	
11	ZP29K5EPFV130 COMP,29000,208/230/60/1 (M7, M9, M10)	NS	B1225022 SOLENOID COIL
11	ZP31K6EPFV130 COMP,42500,208/230/60/1 (M8)	NS	0259G00029 WIRE ASSY-9 CIRCUIT
11	ZP21K5EPFV130 COMPRESSOR 21300, 208/230/60/1 (M1, M2, M3)	NS	PKRP-4000 PISTON KIT CHART
11	ZP25K5EPFV130 COMPRESSOR 25200, 208/230/60/1 (M4, M5, M6)		
11	ZP34K5EPFV130 COMPRESSOR 34500, 208/230/60/1 (M11, M12, M13)		
11	ZP39K5EPFV130 COMPRESSOR 39000, 208/230/60/1 (M14, M15, M16)		
31	M0221641 TF SHOULDER SCREW (QTY 4)		
61	0202G00282 EVAP COIL ASSY (M15)		
61	0202G00343 EVAP COIL ASSY (M2)		
61	0202G00571 EVAP COIL ASSY (M14, M16)		
61	0202G00659 EVAP COIL ASSY (M1, M3)		
61	0202G00660 EVAP COIL ASSY (M4, M6)		
61	0202G00661 EVAP COIL ASSY (M7, M8, M10)		
61	0202G00662 EVAP COIL ASSY (M11, M13)		
61	0202G00315 TUBING ASSY, EVAP COIL (M5, M9)		
61	0202G00316 TUBING ASSY, EVAP COIL (M12)		
91	0201G00242 COND COIL TUBING ASSY (M12)		
91	0201G00257 COND COIL TUBING ASSY (M1, M2, M3)		
91	0201G00258 COND COIL TUBING ASSY (M4, M5, M6, M7, M8, M9, M10)		
91	0201G00260 COND COIL TUBING ASSY (M15)		
91	0201G00365 COND COIL TUBING ASSY (M11, M13)		
91	0201G00366 COND COIL TUBING ASSY (M14, M16)		
111	0151R00069 REVERSING VALVE (M1, M2, M3, M4, M5, M6, M7, M8, M9, M10)		
111	0151R00071 REVERSING VALVE (M11, M12, M13, M14, M15, M16)		
141	0130M00074 CUT-OUT SWITCH, HIGH PRESSURE		
171	0163R00003 HEATER, CRANKCASE 230V 40W (M11, M12, M13)		
211	B1226206 ACCUMULATOR (M1, M2, M3, M4, M5, M6, M7, M8, M9, M10)		
211	B1226207 ACCUMULATOR .875 (M11, M12, M13, M14, M15, M16)		
241	20485201 BI-FLOW FILTER DRIER		
421	20464901DF DRAIN PAN-EVAP COIL		
NS	B1339533 COMPRESSOR GROMMET (QTY 4)		
NS	0159G00002 COMPRESSOR SCROLL HARNESS (M1, M2, M3, M4, M5, M6, M7, M8, M9, M10)		
NS	0159G00006 COMPRESSOR SCROLL HARNESS (M11, M12, M13, M14, M15, M16)		
NS	B1488806 COMPRESSOR SOUND BLANKET (M11, M14)		
NS	B1488807 COMPRESSOR SOUND BLANKET (M1, M4, M7, M8)		
NS	0130M00099 CONTROL, DEFROST (M1, M2, M3, M4, M5, M6, M7, M8, M9, M10)		
NS	0130M00101 CONTROL, DEFROST (M11, M12, M13, M14, M15, M16)		
NS	0230G00005 CRANKCASE HEATER SWITCH (M11, M12, M13)		
NS	0130M00075 CUT-OUT SWITCH, LOW PRESSURE		
NS	0130M00106 DISC THERMOSTAT CRNKCS HTR SW (M11, M12, M13)		
NS	20513001 EVAP DRAIN FITTING		

### Expanded Model Nomenclature

M1 - DP14DM2406041AA
M2 - DP14DM2407041AA
M3 - DP14DM2407041CA
M4 - DP14DM3008041AA
M5 - DP14DM3009041AA
M6 - DP14DM3009041CA
M7 - DP14DM3608041AA
M8 - DP14DM3608041AB
M9 - DP14DM3609041AA
M10 - DP14DM3609041CA
M11 - DP14DM4210041AA
M12 - DP14DM4211541AA
M13 - DP14DM4211541CA
M14 - DP14DM4810041AA
M15 - DP14DM4811541AA
M16 - DP14DM4811541CA

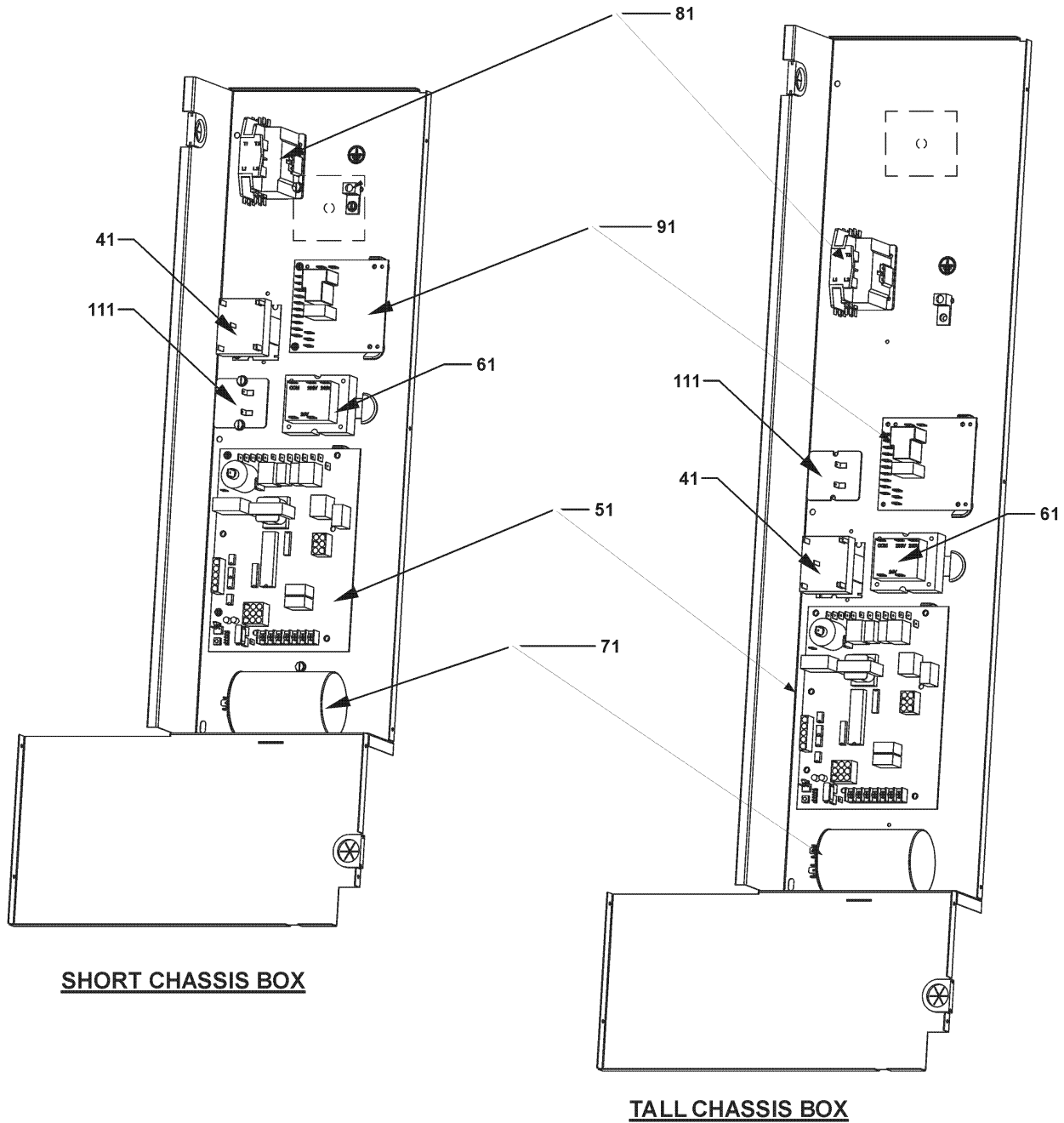
# Heat Exchanger/Manifold/Gas Valve



# Heat Exchanger/Manifold/Gas Valve

Ref. Part No:	No:	Description:	Ref. Part No:	No:	Description:
<i>Image 1:</i>			<b>Expanded Model Nomenclature</b>		
21	0131G00001	ID BLOWER	M1	-	DP14DM2406041AA
31	0121G00218	ID BLOWER PLATE LRG 5 BRNR (M12, M13, M15, M16)	M2	-	DP14DM2407041AA
31	0121G00579	ID BLOWER PLATE LRG 5 BRNR (M1)	M3	-	DP14DM2407041CA
31	0121G00582	ID BLOWER PLATE LRG 5 BRNR (M11, M14)	M4	-	DP14DM3008041AA
31	20463101	ID BLOWER PLATE SML 2 BRNR (M4, M7, M8)	M5	-	DP14DM3009041AA
31	20463102	ID BLOWER PLATE SML 3 BRNR (M2, M3)	M6	-	DP14DM3009041CA
31	20463103	ID BLOWER PLATE SML 4 BRNR (M5, M6, M9, M10)	M7	-	DP14DM3608041AA
41	11112501	PRESSURE SWITCH	M8	-	DP14DM3608041AB
51	20490710	PART/TUBE ASSY 3B (M1, M2, M3)	M9	-	DP14DM3609041AA
51	20490711	PART/TUBE ASSY 4B (M4, M5, M6, M7, M8, M9, M10)	M10	-	DP14DM3609041CA
51	20490713	PART/TUBE ASSY 5B (M11, M12, M13, M14, M15, M16)	M11	-	DP14DM4210041AA
71	0130F00014	IGNITOR	M12	-	DP14DM4211541AA
81	0151F00000P	GAS VALVE - WHITE-RODGERS 2-STAGE	M13	-	DP14DM4211541CA
91	0130F00010	FLAME SENSOR	M14	-	DP14DM4810041AA
101	20493103	MANIFOLD - 3 BRNR (M1, M2, M3)	M15	-	DP14DM4811541AA
101	20493104	MANIFOLD - 4 BRNR (M4, M5, M6, M7, M8, M9, M10)	M16	-	DP14DM4811541CA
101	20493106	MANIFOLD - 5 BRNR (M11, M12, M13, M14, M15, M16)			
111	0163F00017	BECKETT BURNER (M1, M4, M7, M8, M11, M14)			
111	10735102	BECKETT BURNER (M2, M3, M5, M6, M9, M10, M12, M13, M15, M16)			
121	20190411	BURNER BRACKET 3B (M1, M2, M3)			
121	20190412	BURNER BRACKET 4B (M4, M5, M6, M7, M8, M9, M10)			
121	20190413	BURNER BRACKET 5B (M11, M12, M13, M14, M15, M16)			
131	10123532	MANUAL RESET LIMIT 350°F (M4, M7, M8, M11, M14)			
131	10123529	MANUAL RESET LIMIT-GREEN (M1, M2, M3, M5, M6, M9, M10, M12, M13, M15, M16)			
141	20484401	ELBOW-FLUE LEFT			
141	20484402	ELBOW-FLUE RIGHT			
151	11072202	ORIFICE SHIELD (M1, M2, M3)			
151	11072203	ORIFICE SHIELD (M4, M5, M6, M7, M8, M9, M10)			
151	11072204	ORIFICE SHIELD (M11, M12, M13, M14, M15, M16)			
161	M0221817	SMALL SCREW (QTY 8)			
NS	20463001	ID BLOWER PLATE GASKET LRG (M11, M12, M13, M14, M15, M16)			
NS	20462801	ID BLOWER PLATE GASKET SML (M1, M2, M3, M4, M5, M6, M7, M8, M9, M10)			
NS	0163F00018	ORIFICE (M2, M3, M5, M6, M9, M10, M12, M13, M15, M16)			
NS	10716005	ORIFICE (M1, M4, M7, M8, M11, M14)			

# Control Panel



# Control Panel

Ref. Part No:	No:	Description:	Ref. Part No:	No:	Description:
<b>Image 1:</b>					
41	0130M00025	24V RELAY			
51	PCBAG127	PCB, IGNITION, DSI, 2 STG			
61	0130M00138	TRANSFORMER 208/230, 24V			
71	CAP050400440CT	CAPACITOR 5/40/440V/DUAL RD (M1, M2, M3, M4, M5, M6)			
71	CAP050450440CT	CAPACITOR 5/45/440V/DUAL RD (M7, M8, M9, M10, M11, M12, M13, M14, M15, M16)			
81	CONT1P025024V	CONTACTOR 25 AMP, 1P, 24V (M1, M2, M3, M4, M5, M6, M7, M8, M9, M10)			
81	CONT1P030024V	CONTACTOR 30 AMP, 1P, 24V (M11, M12, M13, M14, M15, M16)			
91	PCBDM133	DEFROST CONTROL BOARD			
111	10728342	LIMIT SWITCH (M4, M7, M8)			
111	10728343	LIMIT SWITCH (M1, M2, M3, M5, M6, M9, M10)			
111	10728344	LIMIT SWITCH (M11, M12, M13, M14, M15, M16)			
NS	20520901	CAPACITOR STRAP			
NS	0259G00101	WIRE HARNESS ASSY			
NS	0259G00102	WIRE HARNESS ASSY			
NS	0259G00103	WIRE HARNESS ASSY			
NS	0259G00104	WIRE HARNESS ASSY (M1, M2, M3, M4, M5, M6, M7, M8, M9, M10)			
NS	0259G00105	WIRE HARNESS ASSY (M11, M12, M13, M14, M15, M16)			
NS	0259G00108	WIRE HARNESS ASSY (M1, M2, M3, M4, M5, M6, M7, M8, M9, M10)			
NS	0259G00109	WIRE HARNESS ASSY (M11, M12, M13, M14, M15, M16)			
NS	0259G00098	WIRE HARNESS, 6 CIRCUIT			
NS	0259G00110	WIRE HARNESS, 9 CIRCUIT			
NS	0259G00099	WIRE HARNESS, ECONO			
NS	0259G00100	WIRE HARNESS, OUTDOOR THERMO			

## Expanded Model Nomenclature

M1 - DP14DM2406041AA
M2 - DP14DM2407041AA
M3 - DP14DM2407041CA
M4 - DP14DM3008041AA
M5 - DP14DM3009041AA
M6 - DP14DM3009041CA
M7 - DP14DM3608041AA
M8 - DP14DM3608041AB
M9 - DP14DM3609041AA
M10 - DP14DM3609041CA
M11 - DP14DM4210041AA
M12 - DP14DM4211541AA
M13 - DP14DM4211541CA
M14 - DP14DM4810041AA
M15 - DP14DM4811541AA
M16 - DP14DM4811541CA